



Prices effective February 5, 2018

Published July 2018

# Thrive® Portfolio

<b>Introduction</b>	<b>page 2</b>
<b>Thrive® Portfolio</b>	<b>3</b>
Technology Support	5
Power and Data Support	118
Screens	175
Personal Lighting	193
Occasional Lighting	198
Work Tools	201
Ubi™ Work Tools	201
Formwork	245
Work Tools	254
Desks	282
<b>Indices</b>	<b>285</b>
By Name	285
By Number	289
<b>Appendices</b>	
20-Day or Less/Assigned Lead-Time Order Information	
Customer's Own Material Order Information-Workspaces	
Proprietary Textiles Application Chart-Workspaces	
Proprietary Textile Colors-Workspaces	
<b>For the latest materials information, refer to the Materials pages on HermanMiller.com.</b>	

# Introduction

## A Note on the Organization of This Book

There are a few signals that will help you understand the organization of this book. Once you know them, you should be able to find your way around easily.

### Like a newspaper, this book is formatted with columns of text and illustrations that run vertically.

Information wraps from one column to the next and continues for as many pages as it needs to.

### Black bars are clues.

A black bar at the top of a page signals the start of information about a product.

This information is divided into two sections, each signaled by a black bar. Product Information includes a description, additional notes, and dimensional drawings. Specification Information, which always begins at the top of a column, includes a series of steps. Each step represents a decision you need to make in order to complete your product number. Steps must be followed sequentially. The number of pages needed to complete information on a product varies; some will be complete in one page; others may fill three or four pages. Just continue going through the steps until you run into the next product, signaled by the black bar at the top of the page.

Black tabs running along the outside edge of the page help you locate what section you are in or what section you want to go to. You can thumb forwards or backwards to find a section; tabs and text appear on both sides of the page.

The additional pages in the back of the book include the appendices and indices. They are signaled by a long black bar running along the outside edge of the page.

### The index is presented two ways.

The first index is in alphabetical order by product name. It can be helpful if you are new to the products and numbering scheme or if you are looking for a type of product, such as work chair or round table.

The second index is by product number. It lists, in alphanumeric order, the base product number, typically a five-digit number.

## General Information

This book is effective February 5, 2018, subject to change without notice. Products may be purchased from authorized Herman Miller dealers who will quote prices upon request. For more information about our products and services or to see a list of dealers, visit [www.HermanMiller.com](http://www.HermanMiller.com).


All prices are list prices. Additional services, such as planning services, design, storage, and installation, are not included and must be added to these prices when the additional services are requested.


Illustrations, specifications, and prices are based on the latest information at the time of publication. The right is reserved to make changes at any time without notice in prices, fabrics, finishes, materials, specifications, and models, and also to discontinue models and finishes.

Dimensions shown in the drawings are engineering drawing dimensions rounded up to the nearest  $\frac{1}{8}$ ". Product is shipped set up or knocked down. Products that include "Shipped knocked down" in the description require some assembly. If this statement does not appear in the description, the product is shipped assembled.

Service problems are normally handled by a Herman Miller authorized dealer. Where this cannot be accomplished on a local level, service problems should be referred to the Customer Care Representative for your region, Herman Miller, Inc., Zeeland, Michigan 49464.

### 20-Day or Less/Assigned Lead-Time Shipments

All products and options in this price book not designated by an Assigned Program icon  will ship in **20 business days or less** after being acknowledged by Herman Miller.

Products and options designated by an  are on the assigned lead-time program and may ship in 20 days, less than 20 days, or more than 20 days from order acknowledgement.

Technology Support

Power and Data Support

Screens

Personal Lighting

Occasional Lighting

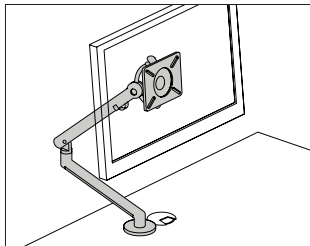
Work Tools

Desks





# Flo® Single-Screen Monitor Arm Support Y91171



## Product Information

### Description

This easy to move, slim profile monitor arm assembly supports a single flat panel monitor. It has a  $13\frac{3}{4}$ " height-adjustment range, a  $20\frac{5}{8}$ " extension range, and allows the monitor to tilt  $40^\circ$  upward and  $-40^\circ$  downward. The arm includes a quick-disconnect feature that allows easy installation and removal of a monitor. It has integrated cable management along the underside of the arm, and a visual indicator that shows the arm's tension setting. The arm meets VESA 75mm and 100mm standards (Video Electronic Standards Association - Mounting Interface Standards). An allen wrench for adjusting the arm's tension is included.

### Notes

Wall mount option (WM) does not include hardware to mount bracket to wall. For Compass™ applications, see wall mount installation instructions.

White finish (o) is available only with the surface clamp (CM) option.

Accommodates monitor weights ranging from 7 to 20 lbs.

To hold a laptop computer, order laptop mount (Y91177.) separately.

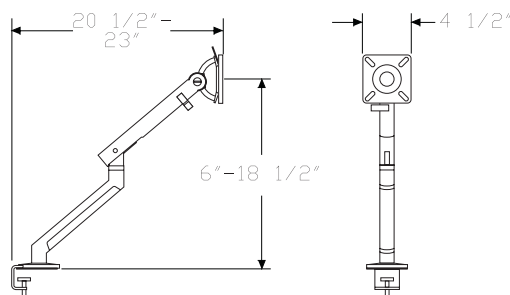
Through-surface mount option (T2) includes 1 bolt for mounting to surfaces up to  $1\frac{3}{8}$ " thick.

Rail tile mount attachment bracket (RTM) is also compatible with Ethospace® rail tiles.

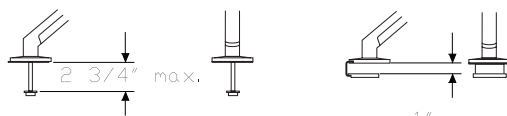
Flo power hub (FPH) attachment works with surface clamp (CM). The Flo power hub (Y92091.) replaces the circular disk on the surface clamp (CM) or the low profile clamp (LPC).

The white Flo power hub (Y92091.o) is light grey and matches the cable management on the white Flo arm.

## Dimensions



Surface Clamp



Through Surface Mount

Low Profile Clamp

# Flo® Single-Screen Monitor Arm Support *continued*

## Specification Information

### Step 1.

**Y91171.**

### Step 2. Attachment Bracket

- T2** through-surface mount, up to 2<sup>3</sup>/<sub>4</sub>" thick
- CM** surface clamp
- LPC** low profile clamp, up to 1" thick
- RTM** rail tile mount (Canvas)
- RPM** Resolve® pole mount
- WM** wall mount A
- LOC** Locale® through surface mount A
- GR** grommet mount A
- FPH** Flo® power hub A
- LSR** Layout Studio performance rail A

### Prices for Steps 1-2.

<b>Y91171. T2</b>	\$362
<b>CM</b>	\$363
<b>LPC</b>	\$363
<b>RTM</b>	\$359
<b>RPM</b>	\$473
<b>WM</b>	\$470
<b>LOC</b>	\$386
<b>GR</b>	\$470
<b>FPH</b>	\$484
<b>LSR</b>	\$364

### Step 3. Finish

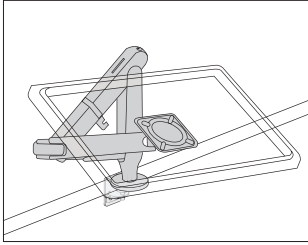
*For surface clamp (CM), Flo® power hub (FPH), or Layout Studio performance rail (LSR)*

<b>0I</b> silver	+\$0
<b>0J</b> white	+\$0

*For through-surface mount, up to 2<sup>3</sup>/<sub>4</sub>" thick (T2), low profile clamp, up to 1" thick (LPC), rail tile mount (Canvas) (RTM), Resolve® pole mount (RPM), wall mount (WM), Locale® through surface mount (LOC), or grommet mount (GR)*

<b>0I</b> silver	+\$0
------------------	------

# Ollin Single-Screen Monitor Arm Support Y95111



## Product Information

### Description

This monitor arm utilizes a technical cord which allows it to support monitors weighing up to 20 pounds. The arm provides 14 1/2" of vertical height adjustment, 24" of horizontal extension, and +80/-10° of tilt. A visual indicator shows the arm tension setting, and an integrated cable management system secures cables neatly along the arm. This monitor arm is user adjustable without tools. VESA brackets provide both 75mm and 100mm hole patterns. Bracket attachment hardware included.

### Notes

Assembly includes the Ollin single screen monitor arm - arm only (Y95000.) and the specified attachment bracket.

Accommodates monitor weights ranging from 0-20 pounds.

To hold a laptop computer, order laptop mount (Y91177.) separately.

White (o) finish is available only with surface clamp (CM) or Flo® power hub (FPH).

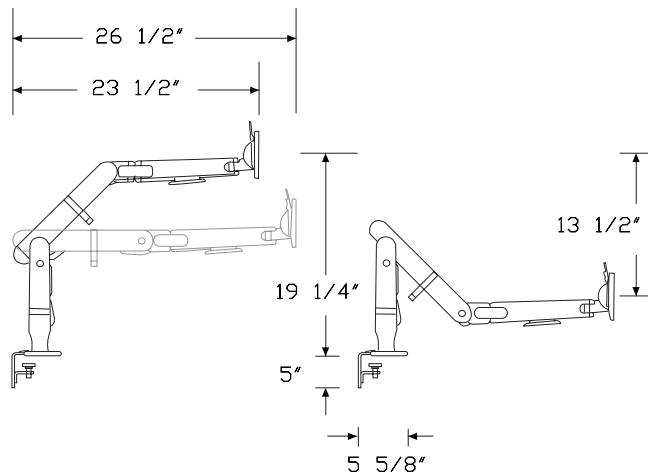
White Flo power hub is light gray and matches the cable management on clamp and monitor arm.

Flo power hub (FPH) attachment works with the surface clamp (CM). The Flo power hub (Y92091.) replaces the circular disk on the surface clamp (CM) or the low profile clamp (LPC).

Through-surface mount (T2) option includes 2 bolts; 1 for mounting to surfaces up to 1 3/8" thick, and 1 for mounting to surfaces up to 2 3/4" thick.

Through-surface mount (T2) option can be grommet mounted. Order cast grommet (Y92050.) separately.

### Dimensions



## Specification Information

### Step 1.

**Y95111.**

### Step 2. Configuration

**1** single

### Step 3. Attachment Bracket

**FPH** Flo® power hub

**CM** surface clamp

**LPC** low profile clamp, up to 1" thick

**LOC** Locale® through surface mount

**T2** through-surface mount, up to 2 3/4" thick

### Prices for Steps 1-3.

	FPH	CM	LPC	LOC	T2
<b>Y95111. 1</b>	\$504	383	383	406	382

### Step 4. Finish

#### For Flo® power hub (FPH)

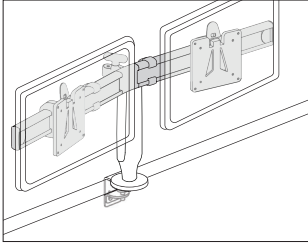
<b>OI</b> silver	+\$0
<b>OJ</b> white	+\$0

#### For surface clamp (CM)

<b>OI</b> silver	+\$0
<b>OJ</b> white	+\$0
<b>OH</b> black	+\$20

#### For low profile clamp, up to 1" thick (LPC), Locale® through surface mount (LOC), or through-surface mount, up to 2 3/4" thick (T2)

<b>OI</b> silver	+\$0
------------------	------



**Product Information**

**Description**

This dual mount bar attaches 2 monitors to an Ollin® monitor arm. The bar holds 2 monitors from 17" to 27" wide and ranging in weight from 0-8 pounds each. A knob allows for tilting of the monitors and an integrated cable management system secures cables neatly along the bar and arm. This dual mount bar is user adjustable without tools. Monitors attach to arm in a fixed orientation. For individual screen portrait-landscape rotation and tilt, 2 individual Ollin arm assemblies are recommended. VESA brackets and attachment hardware included.

**Notes**

Specify this dual mount bar to convert an Ollin Single to an Ollin Dual.

Order 1 of the following monitor arms separately:

- Ollin single-screen monitor arm support with desired attachment (Y95111.1xxx), or
- Ollin single-screen monitor arm-arm only (Y95000.) with additional desired attachment method.

Order monitor arm clamp separately.

Flo® power hub (FPH) attachment works with the surface clamp (CM).

The Flo power hub (Y92091.) replaces the circular disk on the surface clamp (CM) or the low profile clamp (LPC).

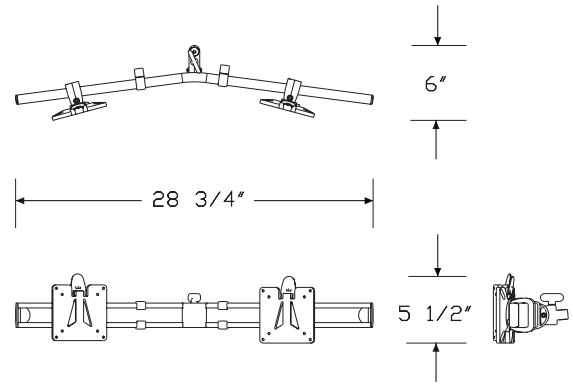
75mm and 100mm VESA compliant. VESA brackets provide both 75mm and 100mm hole patterns.

Through-surface mount (T2) option includes 2 bolts: 1 for mounting to surfaces up to 1<sup>3</sup>/<sub>8</sub>" thick, and 1 for mounting to surfaces up to 2<sup>3</sup>/<sub>4</sub>" thick.

Through-surface mount (T2) option can be grommet mounted. Order cast grommet (Y92050.) separately.

Supports monitors ranging in weight from 0-8 pounds each.

**Dimensions**



Ollin Dual Bar *continued*

**Specification Information**

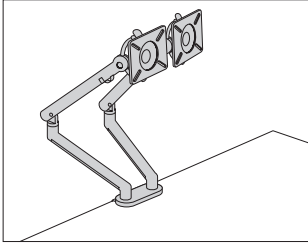
Step 1.

**Y95122.**  A \$306

Step 2. Finish

**OH** black  A +\$0

# Flo® Dual-Screen Monitor Arm - Y91175 Clamp Mount



Thrive® Technology Support

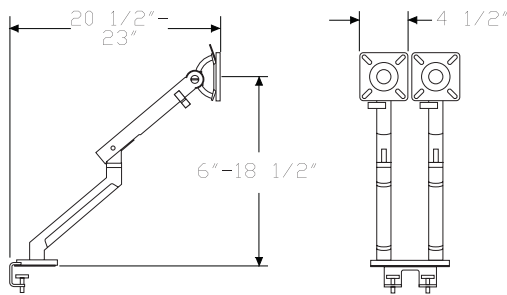
## Product Information

**Description**  
A variant of the award winning Flo monitor arm, this elegant solution supports 2 monitor screens each weighing up to 20lbs. It has a 13 1/4" height-adjustment range, a 20 5/8" extension range, and allows the monitor to tilt 40° upward and -40° downward. Both arms include a quick-disconnect feature that allows easy installation and removal of a monitor. It has integrated cable management along the underside of the arm, and a visual indicator that shows the arm's tension setting. The VESA attachment plate provides both 75mm and 100mm hole patterns. The clamp is top mounted to speed installation. An allen wrench for adjusting the arm's tension is included. Attachment hardware is included.

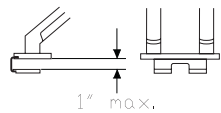
## Notes

Accommodates monitor weights ranging from 7 to 20 lbs. each.

## Dimensions



Surface Clamp



Low Profile Clamp

## Specification Information

Step 1.

**Y91175.**

Step 2. Attachment Bracket

**CM** surface clamp mount

**LPC** low profile clamp, up to 1" thick A

Prices for Steps 1-2.

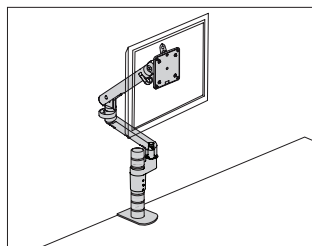
<b>Y91175. CM</b>	\$735
<b>LPC</b>	\$735

Step 3. Finish

<b>OI</b> silver	+\$0
------------------	------

# Flo® Modular Monitor Arm Assembly

Y91180



## Product Information

### Description

This scalable monitor arm assembly includes a Wishbone® post, 1 or 2 dynamically adjustable Flo® monitor arms, 1 or 2 Flo modular brackets, and an attachment bracket that mounts the assembly to a surface. The Flo monitor arm provides 13<sup>3</sup>/<sub>4</sub>" of vertical height adjustment, 20<sup>5</sup>/<sub>8</sub>" of horizontal extension and +/- 40° of tilt. A visual indicator shows the arm tension setting, and an integrated cable management system secures cables neatly along the underside of the arm. The VESA bracket provides both 75mm and 100mm hole patterns, and hardware is included to attach the VESA brackets to monitors. An installation and tension adjustment tool is included.

### Notes

Accommodates monitor weights ranging from 7 to 20 lbs. each.

100mm and 75mm VESA compliant.

Use low profile clamp for work surfaces up to 1" thick.

Use Locale® through surface mount for Locale.

Flo® power hub (FPH) attachment works in conjunction with the clamp mount for Wishbone post (WC). The Flo power hub (Y92091.) replaces the circular disk on the clamp mount for Wishbone post (WC).

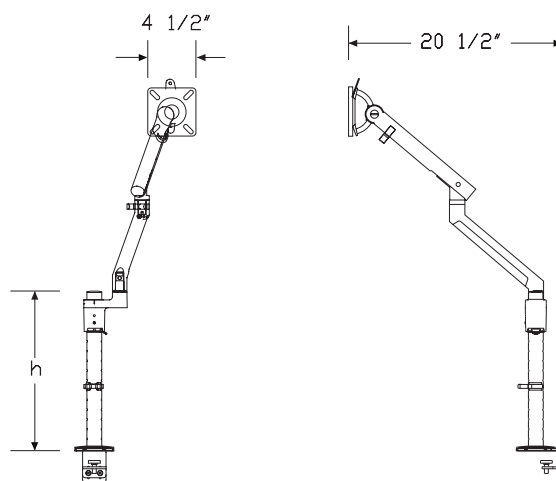
Flo power hub (Y92091.) is recommended for monitor applications of either one or two monitor arms.

For adding additional arms, order both of the following products separately:

- Flo modular bracket-bracket only (Y92103.)
- Flo single screen monitor arm-arm only (Y92090.)

For added stability, specify Wishbone high load clamp (WHC).

## Dimensions



Thrive® Technology Support

# Flo® Modular Monitor Arm Assembly *continued*

## Specification Information

### Step 1.

**Y91180.**  A

### Step 2. Post Height

**07** 7<sup>7</sup>/<sub>8</sub>" high  A

**15** 15<sup>3</sup>/<sub>4</sub>" high  A

**19** 19<sup>3</sup>/<sub>4</sub>" high  A

### Step 3. Number of Arms

#### For 7<sup>7</sup>/<sub>8</sub>" high (07)

**1** 1 arm  A

#### For 15<sup>3</sup>/<sub>4</sub>" high (15)

**1** 1 arm  A

**2** 2 arms  A

#### For 19<sup>3</sup>/<sub>4</sub>" high (19)

**1** 1 arm  A

**2** 2 arms  A

### Step 4. Attachment Bracket

**NN** no attachment bracket  A

**T2** through-surface mount, up to 2<sup>3</sup>/<sub>4</sub>" thick  A

**CM** surface clamp mount  A

**LPC** low profile clamp, up to 1" thick  A

**LOC** Locale® through surface mount  A

**GR** grommet mount  A

**WHC** high load clamp mount for Wishbone® post  A

**FPH** Flo® power hub  A

**LSR** Layout Studio performance rail  A

### Prices for Steps 1-4.

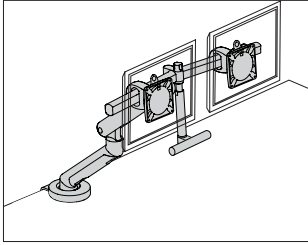
		<b>NN</b>	<b>T2</b>	<b>CM</b>	<b>LPC</b>	<b>LOC</b>	<b>GR</b>		
<b>Y91180.</b>	<b>07</b>	<b>1</b>	\$433	461	502	500	457	541	
	<b>15</b>	<b>1</b>	\$458	486	527	525	482	566	
		<b>2</b>	\$813	842	883	881	838	922	
	<b>19</b>	<b>1</b>	\$464	492	533	531	488	572	
		<b>2</b>	\$819	848	889	887	844	928	
						<b>WHC</b>	<b>FPH</b>	<b>LSR</b>	
<b>Y91180.</b>	<b>07</b>	<b>1</b>				\$540	623	502	
	<b>15</b>	<b>1</b>				\$565	648	527	
		<b>2</b>				\$921	1004	883	
	<b>19</b>	<b>1</b>				\$571	654	533	
		<b>2</b>				\$927	1010	889	

### Step 5. Finish

**01** silver  A +\$0



# Flo® Plus Monitor Arm Assembly Y91174



## Product Information

### Description

This heavy duty version of the award-winning Flo monitor arm supports weight from 20 to 40 pounds and is available in either single or dual monitor configuration. Flo Plus offers 23.3" of horizontal extension, 13" of vertical adjustability and +/- 40° of tilt. A visual indicator shows the arm's tension setting, and an integrated cable management system secures cables neatly along the underside of the arm. The VESA bracket provides both 75mm and 100mm hole patterns.

The dual assembly uses a cross bar design to support monitors weighing up to 20 pounds each and having a maximum diagonal width of 24". Each monitor arm has an independent tilt feature that minimizes glare.

### Notes

75mm and 100mm VESA compliant.

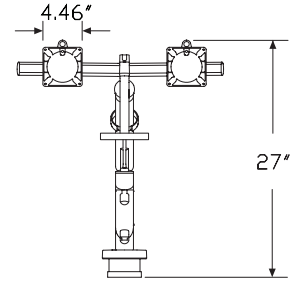
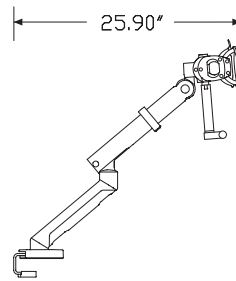
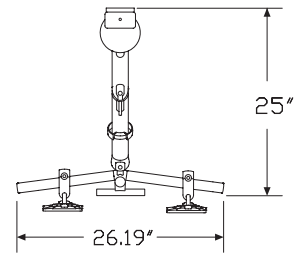
Allen wrench for installing and tensioning the monitor arms included.

Hardware to attach VESA brackets to monitors included.

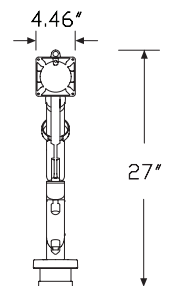
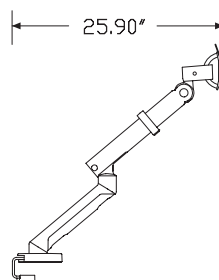
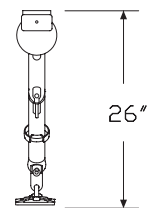
Monitor weight range for Flo Plus, dual (Y91174.2) is 10-20 pounds for each monitor.

Monitor weight range for Flo Plus, single (Y91174.1) is 20-40 pounds.

## Dimensions



Dual



Single

# Flo® Plus Monitor Arm Assembly

continued

Thrive® Technology Support

## Specification Information

Step 1.

**Y91174.**  A

Step 2. Configuration

**1** flo plus, single  A

**2** flo plus, dual

Step 3. Attachment Method

**CM** clamp mount

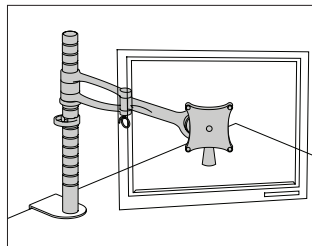
Prices for Steps 1-3.

	<b>CM</b>
<b>Y91174. 1</b>	\$539
<b>2</b>	\$718

Step 4. Finish

**01** silver + \$0

# Wishbone® Single-Screen Monitor Arm Assembly Y91011



## Product Information

### Description

This monitor arm assembly supports a single flat panel monitor and includes a 15<sup>3</sup>/<sub>4</sub>" post, monitor arm, and attachment bracket for a variety of mounting options. The Wishbone® post option includes a monitor arm location ring, a cable management clip, and an extension stud. The monitor arm has a quick release monitor attachment, and allows the monitor to be positioned as landscape or portrait. It has 100° vertical tilt, and 180° horizontal movement. Attachment hardware included.

### Notes

Maximum monitor weight is 26 lbs.

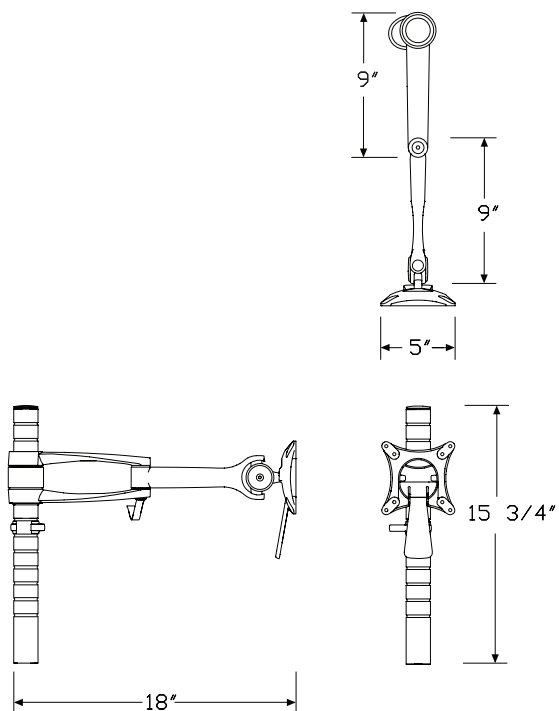
Grommet mount option (GR) accommodates surfaces up to 1<sup>1</sup>/<sub>2</sub>" thick.

Clamp mount options accommodate surfaces between 1/2" and 2<sup>5</sup>/<sub>8</sub>" thick.

Flo® power hub (FPH) attachment works in conjunction with the clamp mount for Wishbone post (WC). The Flo power hub (Y92091.) replaces the circular disk on the clamp mount for Wishbone post (WC).

This product was designed by Colebrook Bosson Saunders Products Ltd.

## Dimensions



## Specification Information

### Step 1.

**Y91011.**

### Step 2. Post Type

**W** wishbone post

### Step 3. Attachment Bracket

**NN** no attachment bracket

**GR** grommet mount

**WC** clamp mount for wishbone post

**T1** through-surface mount, up to 1<sup>3</sup>/<sub>8</sub>" thick

**T2** through-surface mount, up to 2<sup>3</sup>/<sub>4</sub>" thick

**LOC** Locale® through surface mount

**FPH** Flo® power hub

**LSR** Layout Studio performance rail

### Prices for Steps 1-3.

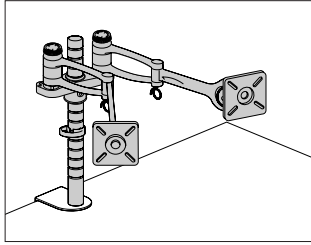
	<b>NN</b>	<b>GR</b>	<b>WC</b>	<b>T1</b>	<b>T2</b>	<b>LOC</b>
<b>Y91011. W</b>	\$372	480	441	396	400	397

	<b>FPH</b>	<b>LSR</b>
<b>Y91011. W</b>	\$562	441

### Step 4. Finish

**OI** silver  +\$0

# Wishbone® Dual-Screen Monitor Arm Assembly Y91012



Thrive® Technology Support

## Product Information

### Description

This monitor arm assembly supports 2 flat panel monitors and includes a 15 3/4" post, 2 monitor arms with back-to-back post bracket, and an attachment bracket for a variety of mounting options. The Wishbone® post option includes a monitor arm location ring, a cable management clip, and an extension stud. The monitor arms have a quick release monitor attachment, and allow the monitors to be positioned as landscape or portrait. They have 100° vertical tilt, and 180° horizontal movement.

### Notes

Maximum monitor weight is 26 lbs. per monitor arm.

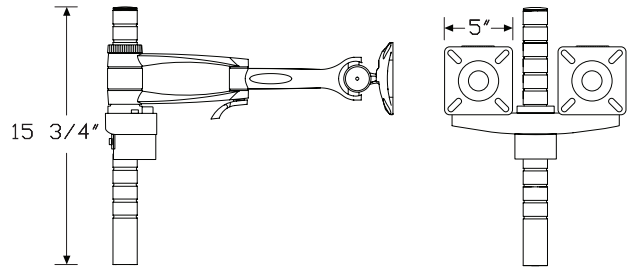
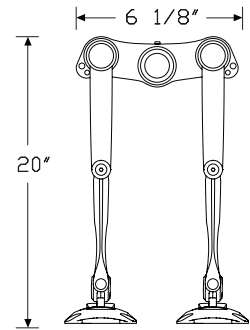
Grommet mount option (GR) accommodates surfaces up to 1 1/2" thick.

Clamp mount options accommodate surfaces between 1/2" and 2 5/8" thick.

Flo® power hub (FPH) attachment works in conjunction with the clamp mount for Wishbone post (WC). The Flo power hub (Y92091.) replaces the circular disk on the clamp mount for Wishbone post (WC).

This product was designed by Colebrook Bosson Saunders Products Ltd.

## Dimensions



# Wishbone® Dual-Screen Monitor

## Arm Assembly *continued*

### Specification Information

Step 1.

**Y91012.**

Step 2. Post Type

**W** wishbone post

Step 3. Attachment Bracket

**NN** no attachment bracket

**GR** grommet mount

**WC** clamp mount for wishbone post

**T1** through-surface mount, up to 1<sup>3</sup>/<sub>8</sub>" thick

**T2** through-surface mount, up to 2<sup>3</sup>/<sub>4</sub>" thick

**FPH** Flo® power hub

**LOC** Locale® through surface mount

**LSR** Layout Studio performance rail

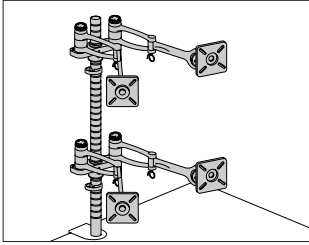
Prices for Steps 1-3.

	<b>NN</b>	<b>GR</b>	<b>WC</b>	<b>T1</b>	<b>T2</b>	<b>FPH</b>		
<b>Y91012. W</b>	\$742	850	811	766	770	932		
							<b>LOC</b>	<b>LSR</b>
<b>Y91012. W</b>					\$766	811		

Step 4. Finish

**OI** silver +\$0

# Wishbone® Quad-Screen Monitor Arm Assembly Y91015



Thrive® Technology Support

## Product Information

### Description

This monitor arm assembly with post(s) supports 4 flat panel monitors on 4 monitor arms with 2 back-to-back post brackets. The wishbone post option includes 2 15<sup>3</sup>/<sub>4</sub>" posts, a location ring, a cable management clip, and an extension stud. The monitor arms have a quick release monitor attachment, and allow the monitors to be positioned as landscape or portrait. They have 100° vertical tilt, and 180° horizontal movement.

### Notes

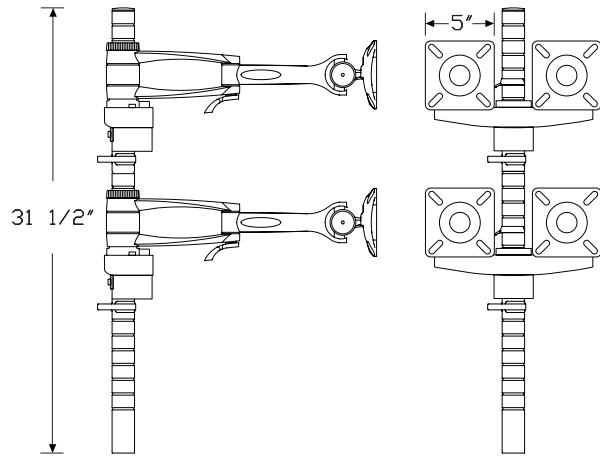
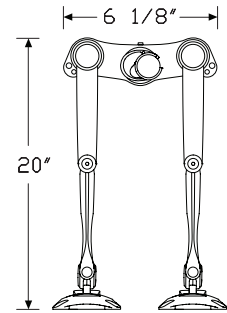
Maximum monitor weight is 26 lbs. per monitor arm. When attaching to a Layout Studio® performance rail (LSR), maximum monitor weight is 15 lbs. per monitor arm.

Grommet mount option (GR) accommodates surfaces up to 1<sup>1</sup>/<sub>2</sub>" thick.

Clamp mount options accommodate surfaces between 1/2" and 2<sup>5</sup>/<sub>8</sub>" thick.

This product was designed by Colebrook Bosson Saunders Products Ltd.

## Dimensions



# Wishbone® Quad-Screen Monitor

## Arm Assembly *continued*

### Specification Information

Step 1.

**Y91015.**

Step 2. Post Type

**W** wishbone post

Step 3. Attachment Bracket

**NN** no attachment bracket

**GR** grommet mount

**WHC** high load clamp mount for Wishbone® post

**T1** through-surface mount, up to 1<sup>3</sup>/<sub>8</sub>" thick

**T2** through-surface mount, up to 2<sup>3</sup>/<sub>4</sub>" thick

**LSR** Layout Studio performance rail

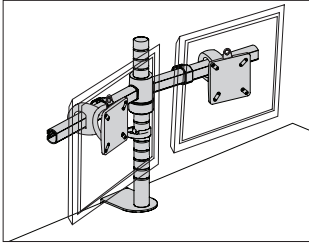
Prices for Steps 1-3.

	<b>NN</b>	<b>GR</b>	<b>WHC</b>	<b>T1</b>	<b>T2</b>	<b>LSR</b>
<b>Y91015. W</b>	\$1481	1589	1588	1505	1509	1572

Step 4. Finish

**OI** silver +\$0

# Wishbone® Dual Bar Monitor Arm Y91016 Assembly



Thrive® Technology Support

## Product Information

### Description

This monitor arm assembly supports 2 or 4 monitors and comes with Wishbone® post(s), Wishbone dual bar(s), and the specified attachment bracket. It includes a dual bar location ring, a cable management clip, and an extension stud. Each dual bar has 2 quick release monitor attachments, and allows the monitors to be positioned as landscape or portrait.

### Notes

The two monitors supported option (2) contains 1 Wishbone dual bar and 1 19" Wishbone post.

The four monitors supported option (4) contains 2 Wishbone dual bars and 2 15<sup>3</sup>/<sub>4</sub>" Wishbone posts.

Monitors are fixed at the desired height on the post attached at the back of the workstation.

Maximum monitor weight is 52 pounds per dual bar (26 pounds for each monitor).

Grommet mount option (GR) accommodates surfaces up to 1<sup>1</sup>/<sub>2</sub>" thick.

Clamp mount options (WC, WHC) accommodate surfaces between 1/2" and 2<sup>5</sup>/<sub>8</sub>" thick.

Each Wishbone dual bar accommodates 2 monitors up to 24" wide each.

To support 4 monitors, specify Wishbone high load clamp (WHC) for the most support.

For extra support for the work surface, when specifying through-surface mounting brackets (T1 or T2), order spreader plate (Y92056.) separately.

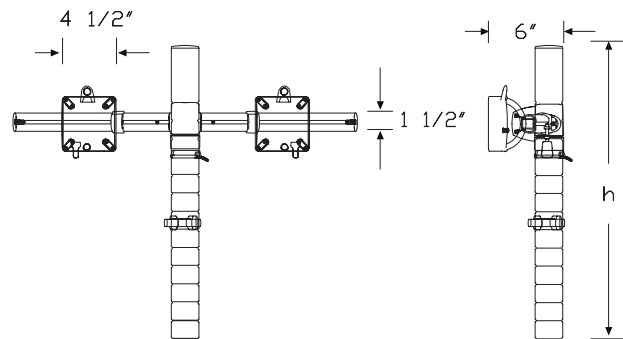
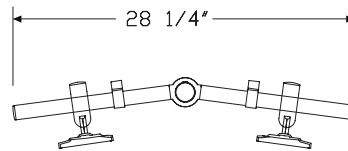
Flo® power hub (FPH) attachment works in conjunction with the clamp mount for Wishbone post (WC). The Flo power hub (Y92091.) replaces the circular disk on the clamp mount for Wishbone post (WC).

Flo power hub is recommended for monitor applications of 2 monitors.

For applications with 4 monitors, the Wishbone high load clamp should be used, which is not compatible with the Flo power hub (Y92091.).

This product was designed by Colebrook Bosson Saunders Products Ltd.

## Dimensions





# Wishbone® Dual Bar Monitor Arm Assembly *continued*

## Specification Information

### Step 1.

**Y91016.**  A

### Step 2. Number of Monitors

**2** two monitors supported - 1 Wishbone® dual bar  A

**4** four monitors supported - 2 Wishbone® dual bars  A

### Step 3. Attachment Bracket

#### *For two monitors supported - 1 Wishbone® dual bar (2)*

**NN** no attachment bracket  A

**GR** grommet mount  A

**WC** clamp mount for wishbone post  A

**WHC** high load clamp mount for Wishbone® post  A

**T1** through-surface mount, up to 1<sup>3</sup>/<sub>8</sub>" thick  A

**T2** through-surface mount, up to 2<sup>3</sup>/<sub>4</sub>" thick  A

**FPH** Flo® power hub  A

**LSR** Layout Studio performance rail  A

#### *For four monitors supported - 2 Wishbone® dual bars (4)*

**WHC** high load clamp mount for Wishbone® post  A

#### Prices for Steps 1-3.

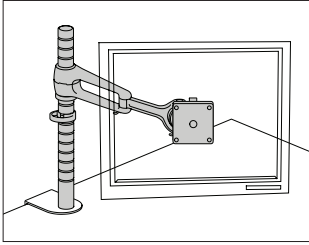
		<b>NN</b>	<b>GR</b>	<b>WC</b>	<b>WHC</b>	<b>T1</b>	<b>T2</b>
<b>Y91016.</b>	<b>2</b>	\$503	611	572	610	527	531
	<b>4</b>	—	—	—	\$1101	—	—

			<b>FPH</b>	<b>LSR</b>
<b>Y91016.</b>	<b>2</b>		\$693	572

### Step 4. Finish

**01** silver  A + \$0

# Wishbone® Plus Single-Screen Monitor Arm Assembly Y91021



Thrive® Technology Support

## Product Information

### Description

This monitor arm assembly supports a single flat panel monitor and includes a 19<sup>3/4</sup>" post, monitor arm, and attachment bracket for a variety of mounting options. The wishbone post option includes a monitor arm location ring, a cable management clip, and an extension stud. The monitor arm has a quick release monitor attachment, and allows the monitor to be positioned as landscape or portrait. It has 80° vertical tilt.

### Notes

Maximum monitor weight is 52 lbs.

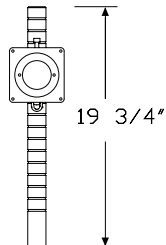
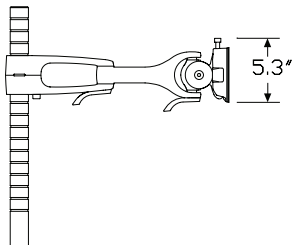
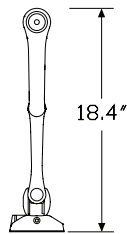
Grommet mount option (GR) accommodates surfaces up to 1<sup>1/2</sup>" thick.

Clamp mount options accommodate surfaces between 1/2" and 2<sup>5/8</sup>" thick.

Flo® power hub (FPH) attachment works in conjunction with the clamp mount for Wishbone post (WC). The Flo power hub (Y92091.) replaces the circular disk on the clamp mount for Wishbone post (WC).

This product was designed by Colebrook Bosson Saunders Products Ltd.

## Dimensions



## Specification Information

### Step 1.

**Y91021.**

### Step 2. Post Type

**W** wishbone post

### Step 3. Attachment Bracket

**NN** no attachment bracket

**GR** grommet mount

**WC** clamp mount for wishbone post

**T1** through-surface mount, up to 1<sup>3/8</sup>" thick

**T2** through-surface mount, up to 2<sup>3/4</sup>" thick

**FPH** Flo® power hub A

**LOC** Locale® through surface mount A

### Prices for Steps 1-3.

	<b>NN</b>	<b>GR</b>	<b>WC</b>	<b>T1</b>	<b>T2</b>	<b>FPH</b>
<b>Y91021. W</b>	\$430	538	499	454	458	620

**LOC**

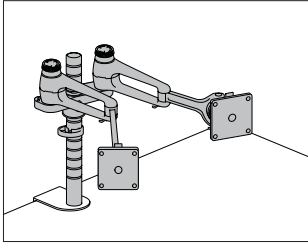
**Y91021. W** \$455

### Step 4. Finish

**01** silver + \$0

# Wishbone® Plus Dual-Screen Monitor Arm Assembly

Y91022



## Product Information

### Description

This monitor arm assembly supports 2 flat panel monitors and includes a 19<sup>3</sup>/<sub>4</sub>" post, 2 monitor arms with back-to-back post bracket, and an attachment bracket for a variety of mounting options. The Wishbone® post option includes a monitor arm location ring, a cable management clip, and an extension stud. The monitor arms have a quick release monitor attachment, and allow the monitors to be positioned as landscape or portrait. They have 80° vertical tilt.

### Notes

Maximum monitor weight is 52 lbs. per monitor arm.

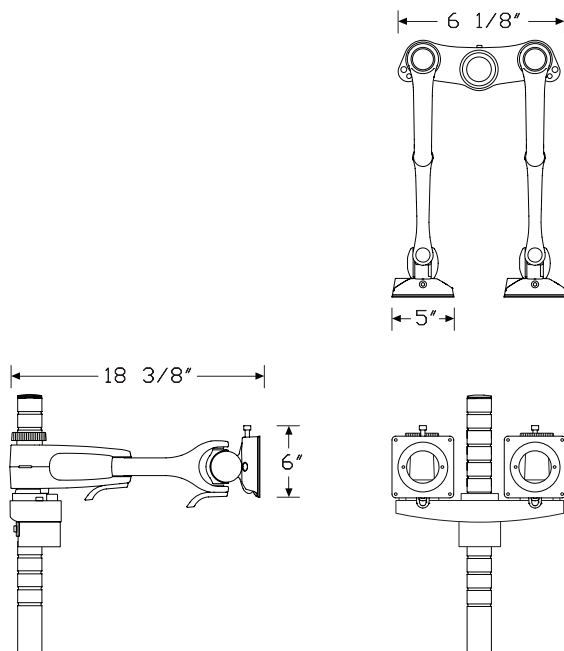
Grommet mount option (GR) accommodates surfaces up to 1<sup>1</sup>/<sub>2</sub>" thick.

Clamp mount options accommodate surfaces between 1/2" and 2<sup>5</sup>/<sub>8</sub>" thick.

Flo® power hub (FPH) attachment works in conjunction with the clamp mount for Wishbone post (WC). The Flo power hub (Y92091.) replaces the circular disk on the clamp mount for Wishbone post (WC).

This product was designed by Colebrook Bosson Saunders Products Ltd.

## Dimensions



## Specification Information

### Step 1.

**Y91022.**

### Step 2. Post Type

**W** wishbone post

### Step 3. Attachment Bracket

**NN** no attachment bracket

**GR** grommet mount

**WC** clamp mount for wishbone post

**T1** through-surface mount, up to 1<sup>3</sup>/<sub>8</sub>" thick

**T2** through-surface mount, up to 2<sup>3</sup>/<sub>4</sub>" thick

**FPH** Flo® power hub  A

**LOC** Locale® through surface mount  A

### Prices for Steps 1-3.

	<b>NN</b>	<b>GR</b>	<b>WC</b>	<b>T1</b>	<b>T2</b>	<b>FPH</b>
<b>Y91022. W</b>	\$856	964	925	880	884	1046

**LOC**

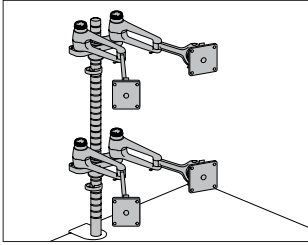
**Y91022. W** \$881

### Step 4. Finish

**OI** silver + \$0

# Wishbone® Plus Quad-Screen Monitor Arm Assembly

Y91025



Thrive® Technology Support

## Product Information

### Description

This monitor arm assembly with post(s) supports 4 flat panel monitors on 4 monitor arms with 2 back-to-back post brackets. The wishbone post option includes 2 15<sup>3</sup>/<sub>4</sub>" posts, a location ring, a cable management clip, and an extension stud. The monitor arms have a quick release monitor attachment, and allow the monitors to be positioned as landscape or portrait. They have 80° vertical tilt.

### Notes

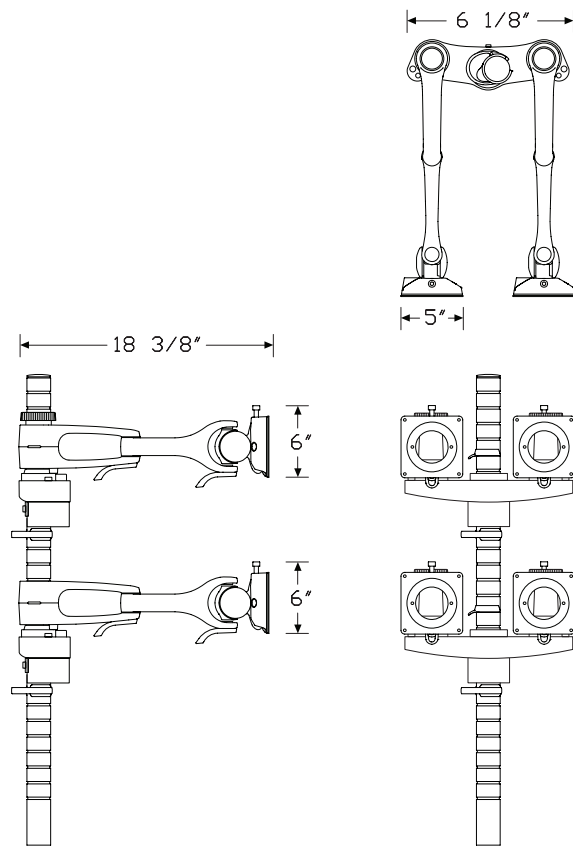
Maximum monitor weight is 52 lbs. per monitor arm.

Grommet mount option (GR) accommodates surfaces up to 1<sup>1</sup>/<sub>2</sub>" thick.

Clamp mount options accommodate surfaces between 1/2" and 2<sup>5</sup>/<sub>8</sub>" thick.

This product was designed by Colebrook Bosson Saunders Products Ltd.

## Dimensions



# Wishbone® Plus Quad-Screen Monitor Arm Assembly *continued*

## Specification Information

Step 1.

**Y91025.**

Step 2. Post Type

**W** wishbone post

Step 3. Attachment Bracket

**NN** no attachment bracket

**GR** grommet mount

**WHC** high load clamp mount for Wishbone® post

**T1** through-surface mount, up to 1<sup>3</sup>/<sub>8</sub>" thick

**T2** through-surface mount, up to 2<sup>3</sup>/<sub>4</sub>" thick

Prices for Steps 1-3.

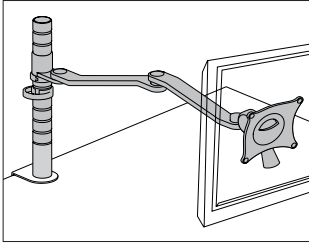
	<b>NN</b>	<b>GR</b>	<b>WHC</b>	<b>T1</b>	<b>T2</b>
<b>Y91025. W</b>	\$1700	1808	1807	1724	1728

Step 4. Finish

**OI** silver +\$0

# Daisyone® Single-Screen Monitor Arm Assembly Y91041

Thrive® Technology Support



## Product Information

### Description

This monitor arm assembly supports a single flat panel monitor and includes a 19<sup>3/4</sup>" post, monitor arm, and attachment bracket for a variety of mounting options. The wishbone post option includes a monitor arm location ring, a cable management clip, and an extension stud. The monitor arm has a quick release monitor attachment, and allows the monitor to be positioned as landscape or portrait. It has 160° vertical tilt, and 180° horizontal movement.

### Notes

Maximum monitor weight is 18.7 lbs.

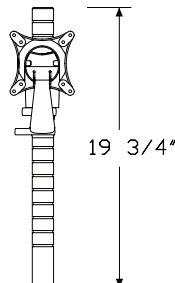
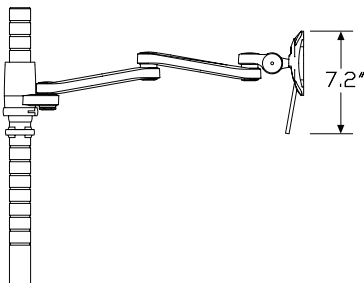
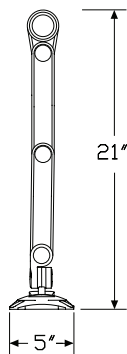
Grommet mount option (GR) accommodates surfaces up to 1<sup>1/2</sup>" thick.

Clamp mount options accommodate surfaces between 1/2" and 2<sup>5/8</sup>" thick.

Flo® power hub (FPH) attachment works in conjunction with the clamp mount for Wishbone post (WC). The Flo power hub (Y92091.) replaces the circular disk on the clamp mount for Wishbone post (WC).

This product was designed by Colebrook Bosson Saunders Products Ltd.

## Dimensions



## Specification Information

### Step 1.

**Y91041.**

### Step 2. Post Type

**W** wishbone post

### Step 3. Attachment Bracket

**NN** no attachment bracket

**GR** grommet mount

**WC** clamp mount for wishbone post

**T1** through-surface mount, up to 1<sup>3/8</sup>" thick

**T2** through-surface mount, up to 2<sup>3/4</sup>" thick

**FPH** Flo® power hub A

**LOC** Locale® through surface mount A

**LSR** Layout Studio performance rail

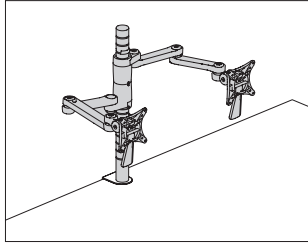
### Prices for Steps 1-3.

	<b>NN</b>	<b>GR</b>	<b>WC</b>	<b>T1</b>	<b>T2</b>	<b>FPH</b>		
<b>Y91041. W</b>	\$335	443	404	359	363	525		
							<b>LOC</b>	<b>LSR</b>
<b>Y91041. W</b>							\$359	404

### Step 4. Finish

**01** silver + \$0

# Daisiyone® Dual-Screen Monitor Arm Assembly Y91042



## Product Information

### Description

This monitor arm assembly supports 2 flat panel monitors and includes a 19<sup>3</sup>/<sub>4</sub>" post, 2 monitor arms with integrated post brackets, and an attachment bracket for a variety of mounting options. The wishbone post option includes a monitor arm location ring, a cable management clip, and an extension stud. The monitor arms have a quick release monitor attachment, and allow the monitors to be positioned as landscape or portrait. They have 160° vertical tilt, and 180° horizontal movement.

### Notes

Maximum monitor weight is 18.7 lbs. per monitor arm.

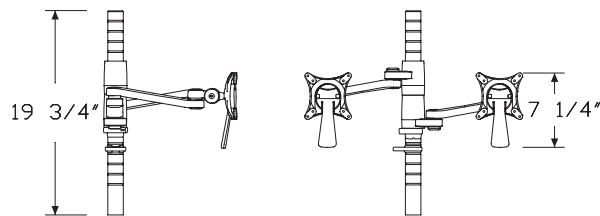
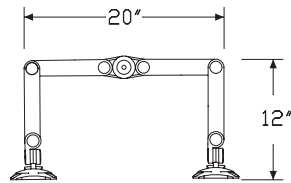
Grommet mount option (GR) accommodates surfaces up to 1<sup>1</sup>/<sub>2</sub>" thick.

Clamp mount options accommodate surfaces between 1/2" and 2<sup>5</sup>/<sub>8</sub>" thick.

Flo® power hub (FPH) attachment works in conjunction with the clamp mount for Wishbone post (WC). The Flo power hub (Y92091.) replaces the circular disk on the clamp mount for Wishbone post (WC).

This product was designed by Colebrook Bosson Saunders Products Ltd.

## Dimensions



## Specification Information

### Step 1.

**Y91042.**

### Step 2. Post Type

**W** wishbone post

### Step 3. Attachment Bracket

**NN** no attachment bracket

**GR** grommet mount

**WC** clamp mount for wishbone post

**T1** through-surface mount, up to 1<sup>3</sup>/<sub>8</sub>" thick

**T2** through-surface mount, up to 2<sup>3</sup>/<sub>4</sub>" thick

**FPH** Flo® power hub  A

**LOC** Locale® through surface mount  A

**LSR** Layout Studio performance rail  A

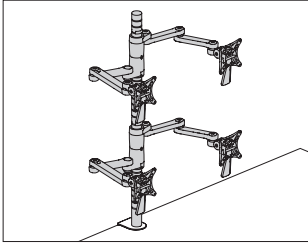
### Prices for Steps 1-3.

	<b>NN</b>	<b>GR</b>	<b>WC</b>	<b>T1</b>	<b>T2</b>	<b>FPH</b>
<b>Y91042. W</b>	\$562	670	631	586	590	752
					<b>LOC</b>	<b>LSR</b>
<b>Y91042. W</b>					\$586	631

### Step 4. Finish

**OI** silver +\$0

# Daisyone® Quad-Screen Monitor Arm Assembly Y91045



Thrive® Technology Support

## Product Information

### Description

This monitor arm assembly with post(s) supports 4 flat panel monitors on 4 monitor arms with integrated post brackets. The wishbone post option includes 2 15 3/4" posts, a location ring, a cable management clip, and an extension stud. The monitor arms have a quick release monitor attachment, and allow the monitors to be positioned as landscape or portrait. They have 160° vertical tilt, and 180° horizontal movement.

### Notes

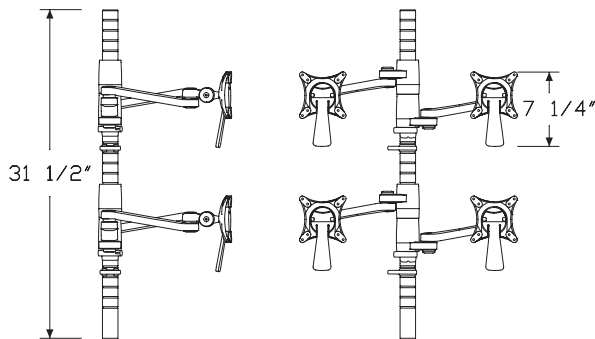
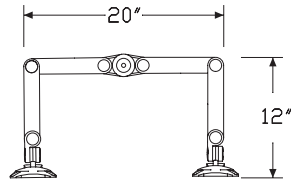
Maximum monitor weight is 18.7 lbs. per monitor arm. When attaching to a Layout Studio® performance rail (LSR), maximum monitor weight is 15 lbs. per monitor arm.

Grommet mount option (GR) accommodates surfaces up to 1 1/2" thick.

Clamp mount options accommodate surfaces between 1/2" and 2 5/8" thick.

This product was designed by Colebrook Bosson Saunders Products Ltd.

## Dimensions



## Specification Information

### Step 1.

**Y91045.**

### Step 2. Post Type

**W** wishbone post

### Step 3. Attachment Bracket

**NN** no attachment bracket

**GR** grommet mount

**WHC** high load clamp mount for Wishbone® post

**T1** through-surface mount, up to 1 3/8" thick

**T2** through-surface mount, up to 2 3/4" thick

**LSR** Layout Studio performance rail

### Prices for Steps 1-3.

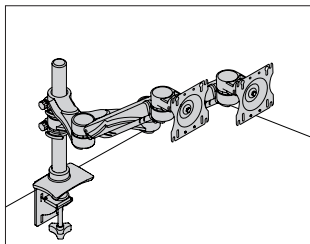
	<b>NN</b>	<b>GR</b>	<b>WHC</b>	<b>T1</b>	<b>T2</b>	<b>LSR</b>
<b>Y91045. W</b>	\$1112	1220	1219	1136	1140	1207

### Step 4. Finish

**OI** silver +\$0



# Concerto Modular Monitor Arm Assembly Y91179



## Product Information

### Description

This modular monitor arm assembly is the GSA approved solution for supporting 1, 2, or 4 monitors from 1 post. Each monitor arm moves 180° side-to-side, tilts 180°, rotates up to 360°, and has a quick disconnect feature. Assembly includes a Concerto post, 1, 2, or 4 dynamic adjustable Concerto modular monitor arms, and a bracket that attaches the assembly to the surface.

### Notes

This is a Thrive® Portfolio monitor arm assembly for GSA customers.

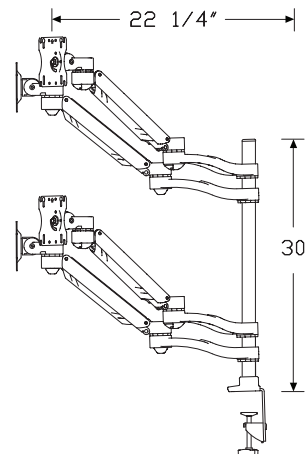
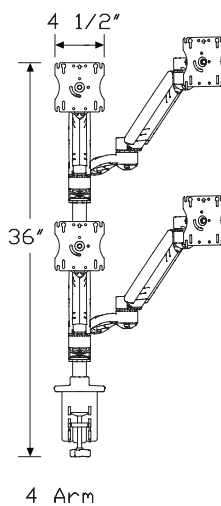
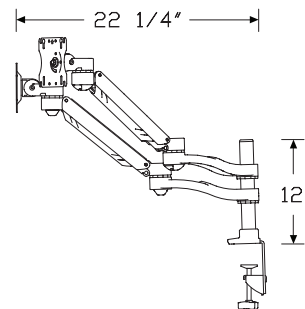
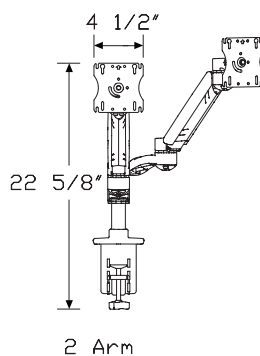
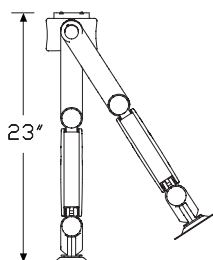
Each monitor arm supports a monitor weight ranging from 5-20 pounds. 100mm and 75mm VESA compliant.

Surface clamp mount (CM) attachment option also ships with a grommet mount.

To add more arms to an assembly, order Concerto modular monitor arm-arm only (Y91190.) separately.

For a GSA approved laptop mount, order Concerto laptop mount (Y91191.) separately.

## Dimensions



# Concerto Modular Monitor Arm Assembly *continued*

## Specification Information

### Step 1.

**Y91179.**  A

### Step 2. Post Height

**12** 12" high  A

**30** 30" high  A

### Step 3. Number of Monitor Arms

#### *For 12" high (12)*

**1** 1 arm  A

**2** 2 arms  A

#### *For 30" high (30)*

**4** 4 arms  A

### Step 4. Attachment Bracket

**CM** surface clamp mount  A

### Prices for Steps 1-4.

	<b>CM</b>
<b>Y91179. 12 1</b>	\$371
<b>2</b>	\$708
<b>30 4</b>	\$1212

### Step 5. Finish

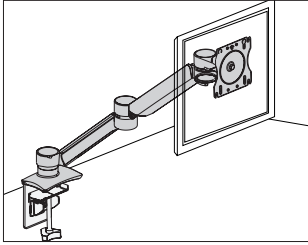
**0I** silver  A +\$0

**0J** white  A +\$0

**0H** black  A +\$0

**0P** polished aluminum  A +\$40

# Concerto Monitor Arm Assembly Y91185



## Product Information

### Description

This easy to move, GSA approved, slim profile monitor arm assembly supports 1 monitor with either a clamp mount or grommet mount. Each monitor arm moves 180° side-to-side, tilts 180°, rotates up to 360°, and has a quick disconnect feature. The dual bar configuration allows 2 monitors to move in tandem.

### Notes

This is a Thrive® Portfolio monitor arm for GSA customers.

Clamp mount attachment bracket (CM) also includes a grommet mount.

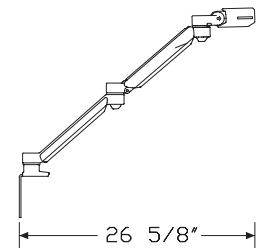
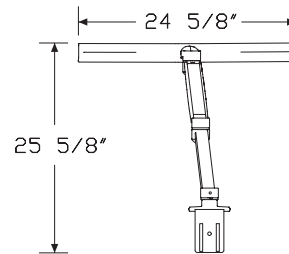
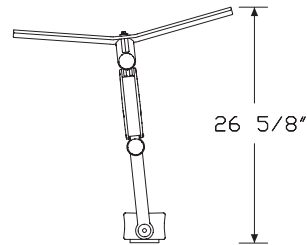
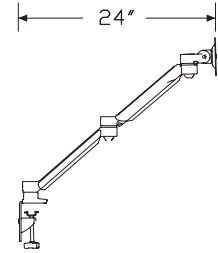
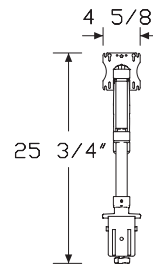
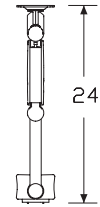
The concerto, single (1) configuration supports monitors ranging from 5-20 pounds.

The concerto, dual (2) configuration supports 2 monitors ranging from 2-20 pounds (maximum 10 pounds per screen).

The concerto, dual (2) configuration supports 2 monitors with maximum 22" screen width.

Supports VESA patterns of 75 × 75mm and 100 × 100mm.

## Dimensions



# Concerto Monitor Arm Assembly

continued

Thrive® Technology Support

## Specification Information

Step 1.

**Y91185.**  A

Step 2. Configuration

**1** concerto, single  A

**2** concerto, dual  A

Step 3. Attachment Bracket

**CM** clamp mount  A

Prices for Steps 1-3.

	<b>CM</b>
<b>Y91185. 1</b>	\$371
<b>2</b>	\$707

Step 4. Finish

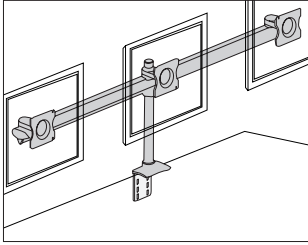
**0I** silver  A +\$0

**0J** white  A +\$0

**0H** black  A +\$0

**0P** polished aluminum  A +\$40

# Concerto Fixed Beam Assembly Y91186



## Product Information

### Description

This GSA approved monitor arm assembly supports 3 monitors with either a clamp mount or grommet mount. Each monitor arm tilts 180°, rotates up to 360°, and has a quick disconnect feature.

### Notes

This is a Thrive® Portfolio monitor arm for GSA customers.

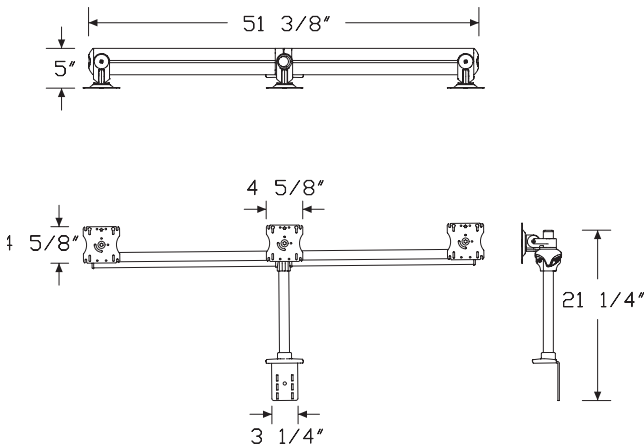
Clamp mount attachment bracket (CM) also includes a grommet mount.

Supports monitors up to 20 pounds each.

Supports up to 3 monitors with maximum 24" screen width.

Supports VESA patterns of 75 × 75mm and 100 × 100mm.

### Dimensions



## Specification Information

### Step 1.

**Y91186.**  A

### Step 2. Number of Monitor Arms

**3** 3 monitor arms, static  A

### Step 3. Post Height

**16** 16" high  A

### Step 4. Beam Width

**48** 48" high  A

### Step 5. Attachment Bracket

**CM** clamp mount  A

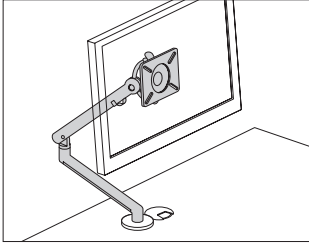
### Prices for Steps 1-5.

	<b>48CM</b>
<b>Y91186. 3 16</b>	<b>\$707</b>

### Step 6. Finish

<b>0I</b> silver <input type="checkbox"/> A	+ \$0
<b>0H</b> black <input type="checkbox"/> A	+ \$0

# Flo® Single Screen Monitor Arm - Y92090 Arm Only



Thrive® Technology Support

## Product Information

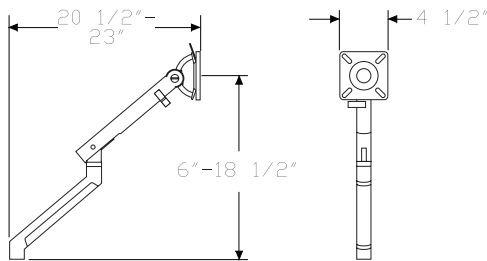
**Description**  
This easy to move, slim profile monitor arm supports a single flat panel monitor. It has a 13 1/4" height-adjustment range, a 20 5/8" extension range, and allows the monitor to tilt 40° upward and -40° downward. The arm includes a quick-disconnect feature that allows easy installation and removal of a monitor. It has integrated cable management along the underside of the arm, and a visual indicator that shows the arm's tension setting. The VESA attachment bracket provides 75mm and 100mm hole patterns. An allen wrench for adjusting the arm's tension is included. Attachment hardware included.

## Notes

Accommodates monitor weights ranging from 7 to 20 lbs.  
Order the following products separately:

- Laptop mount (Y91177.)
- Flo Two-Piece Clamp Mount (Y92092.)
- Flo Low Profile Clamp (Y92093.)
- Flo Through Mount (Y92094.)
- Flo Resolve Pole Mount (Y92095.)

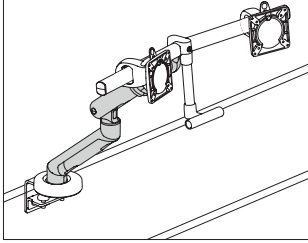
## Dimensions



## Specification Information

<b>Step 1.</b>		
<b>Y92090.</b>		\$295
<b>Step 2. Finish</b>		
<b>0I</b>	silver	+\$0
<b>0J</b>	white	+\$0

Flo Plus Monitor Arm - Arm Only Y92097



**Product Information**

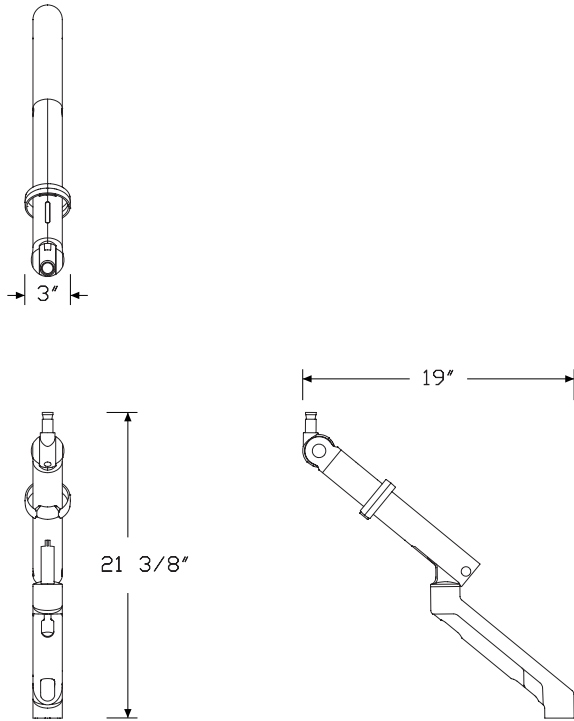
**Description**

This heavy duty version of the award-winning Flo® monitor arm supports monitors from 20 to 40 pounds. It has an independent tilt feature that minimizes glare. Flo Plus offers 23.3" of horizontal extension, 13" of vertical adjustability. A visual indicator shows the arm's tension setting, and an integrated cable management system secures cables neatly along the underside of the arm. The VESA bracket provides both 75mm and 100mm hole patterns.

**Notes**

- 75mm and 100mm VESA compliant.
- Allen wrench for installing and tensioning the monitor arms included.
- Hardware to attach VESA brackets to monitors included.
- Supports monitors ranging in weight from 20-40 pounds.

**Dimensions**



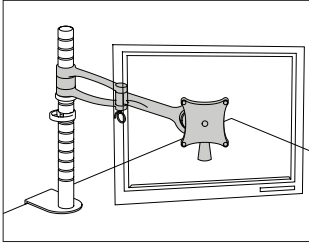
**Specification Information**

**Step 1.**

**Y920970.** [A] \$370

**Step 2. Finish**

**01** silver [A] +\$0



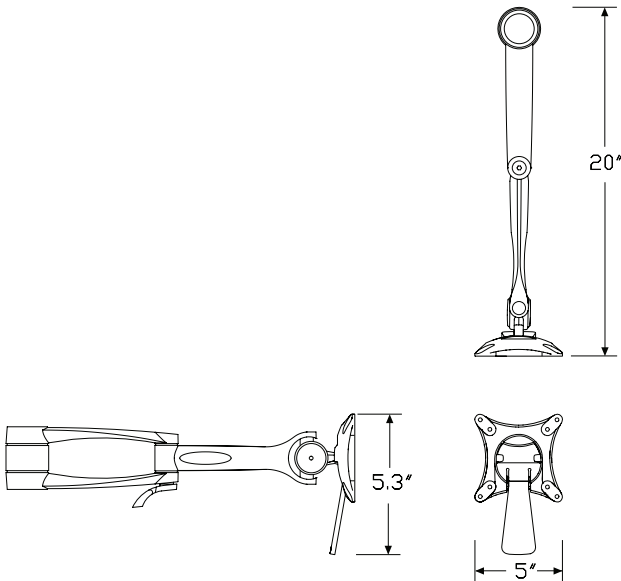
**Product Information**

**Description**  
 This monitor arm can be used to create a new assembly, or can be added to an existing assembly to support an additional flat panel monitor. It has a quick release monitor attachment, and allows the monitor to be positioned as landscape or portrait. It has 100° vertical tilt, and 180° horizontal movement. To create a monitor arm assembly, monitor arm post and post attachment bracket must be specified separately.

**Notes**

Maximum monitor weight is 26 lbs.  
 For a single or double monitor arm assembly, specify 1 15<sup>3</sup>/<sub>4</sub>" wishbone post.  
 For a quad monitor arm assembly, specify 2 15<sup>3</sup>/<sub>4</sub>" wishbone posts.  
 When attaching 2 monitor arms to a post, specify enhanced back-to-back post bracket (Y92009.) separately.  
 This product was designed by Colebrook Bosson Saunders Products Ltd.

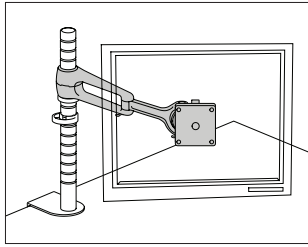
**Dimensions**



**Specification Information**

<b>Step 1.</b>		
<b>Y92000.</b>		\$268
<b>Step 2. Finish</b>		
<b>01</b>	silver	+\$0





**Product Information**

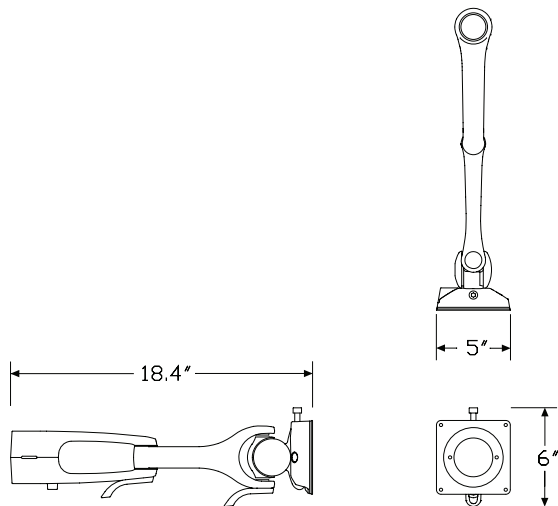
**Description**

This monitor arm can be used to create a new assembly, or can be added to an existing assembly to support an additional flat panel monitor. It has a quick release monitor attachment, and allows the monitor to be positioned as landscape or portrait. It has 100° vertical tilt, and 180° horizontal movement. To create a monitor arm assembly, monitor arm post and post attachment bracket must be specified separately.

**Notes**

Maximum monitor weight is 52 lbs.  
 For a single or double monitor arm assembly, specify 1 15<sup>3</sup>/<sub>4</sub>" wishbone post. For a quad monitor arm assembly, specify 2 15<sup>3</sup>/<sub>4</sub>" wishbone posts.  
 When attaching 2 monitor arms to a post, specify enhanced back-to-back post bracket (Y92009.) separately.  
 This product was designed by Colebrook Bosson Saunders Products Ltd.

**Dimensions**



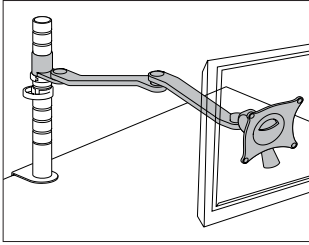
**Specification Information**

**Step 1.**

**Y92007.** A \$322

**Step 2. Finish**

**01** silver A +\$0



Thrive® Technology Support

**Product Information**

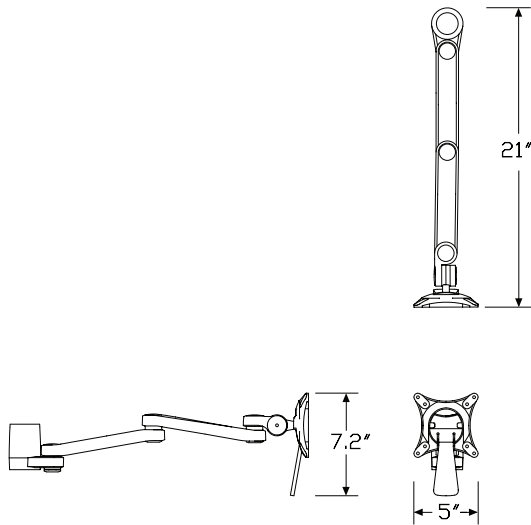
**Description**

This monitor arm can be used to create a new assembly, or can be added to an existing assembly to support an additional flat panel monitor. It has a quick release monitor attachment, and allows the monitor to be positioned as landscape or portrait. It has 160° vertical tilt and 180° horizontal movement. To create a monitor arm assembly, monitor arm post and post attachment bracket must be specified separately.

**Notes**

Maximum monitor weight is 18.7 lbs.  
 For a single or double monitor arm assembly, specify 1 19<sup>3</sup>/<sub>4</sub>" wishbone post.  
 For a quad monitor arm assembly, specify 2 15<sup>3</sup>/<sub>4</sub>" wishbone posts.  
 This product was designed by Colebrook Bosson Saunders Products Ltd.

**Dimensions**



**Specification Information**

**Step 1.**

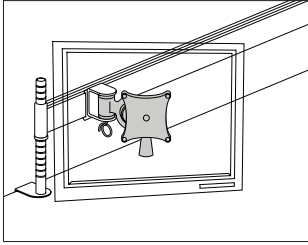
**Y92014.** [A] \$227

**Step 2. Finish**

**01** silver [A] +\$0

Wishbone® C-Post with Quick Release

Y92026



**Product Information**

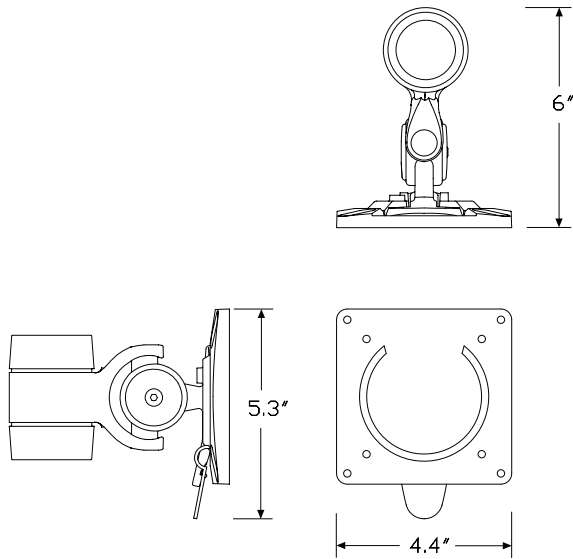
**Description**

This monitor c-post can be used to create a new assembly, or can be added to an existing assembly to support and additional flat panel monitor. It has a quick-release monitor attachment, and allows the monitor to be positioned as landscape or portrait. Toolbar attachment bracket must be specified separately.

**Notes**

Maximum monitor weight is 26 lbs.  
 When attaching 2 c-posts to a post, specify enhanced back-to-back post bracket (Y92009.) separately.  
 This product was designed by Colebrook Bosson Saunders Products Ltd.

**Dimensions**



**Specification Information**

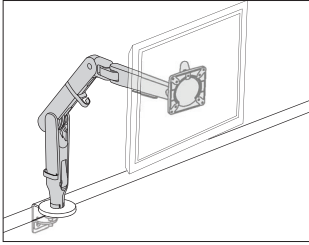
**Step 1.**

**Y92026.**  A \$204

**Step 2. Finish**

**01** silver  A +\$0

# Ollin Single Screen Monitor Arm - Y95000 Arm Only



Thrive® Technology Support

## Product Information

### Description

This monitor arm utilizes a technical cord which allows it to support monitors weighing up to 20 pounds. The arm provides 14½" of vertical height adjustment, 24" of horizontal extension, and +80/-10° of tilt. A visual indicator shows the arm tension setting, and an integrated cable management system secures cables neatly along the arm. This monitor arm is user adjustable without tools. VESA brackets provide both 75mm and 100mm hole patterns. Bracket attachment hardware included.

### Notes

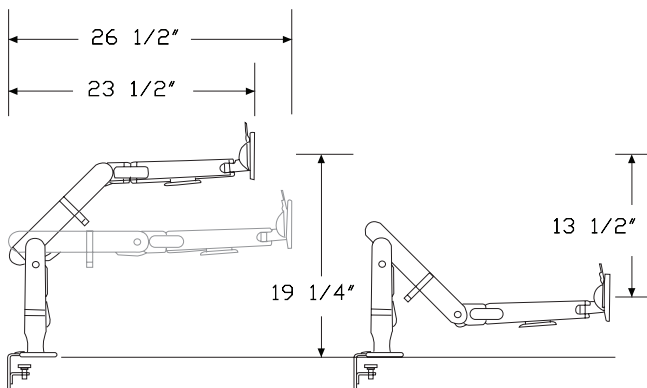
Accommodates monitor weights ranging from 0-20 pounds.

Order monitor arm clamp separately.

- Flo® power hub (Y92091.)
- Flo two-piece clamp mount (Y92092.)
- Flo low profile clamp (Y92093.)
- Flo through mount (Y92094.)

To hold a laptop computer, order laptop mount (Y91177.) separately.

### Dimensions



## Specification Information

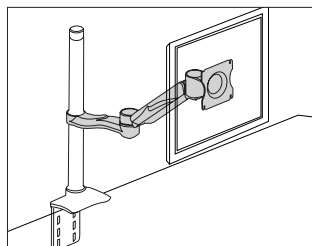
### Step 1.

**Y95000.** A \$315

### Step 2. Finish

<b>OI</b>	silver	+\$0
<b>OJ</b>	white	+\$0
<b>OH</b>	black <span style="border: 1px solid black; padding: 0 2px;">A</span>	+\$20

# Concerto Modular Monitor Arm - Y91190 Arm Only



## Product Information

### Description

This easy to move, GSA approved, slim profile monitor arm assembly supports 1 monitor. The monitor arm moves 180° side-to-side, tilts 180°, rotates up to 360°, and has a quick disconnect feature.

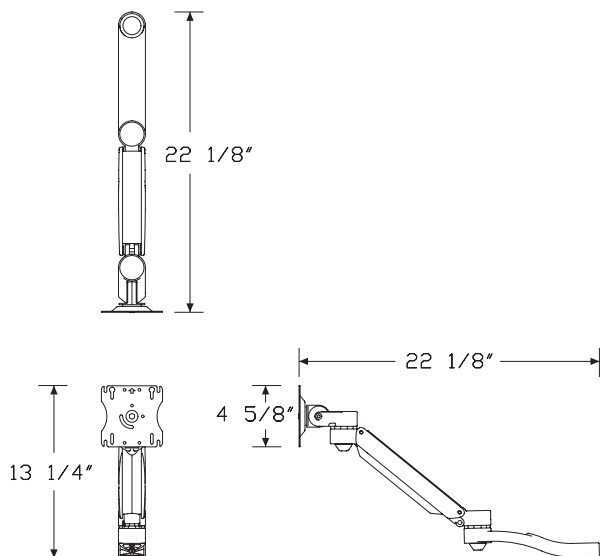
### Notes

This is a Thrive® Portfolio monitor arm for GSA customers.

This arm supports monitors ranging from 5-20 pounds.

Used with Concerto modular assembly (Y91179.), ordered separately.

## Dimensions



## Specification Information

### Step 1.

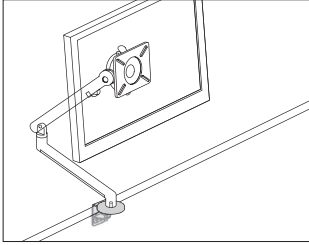
**Y91190.**  A \$303

### Step 2. Finish

<b>OI</b>	silver	<input type="checkbox"/> A	+\$0
<b>OJ</b>	white	<input type="checkbox"/> A	+\$0
<b>OH</b>	black	<input type="checkbox"/> A	+\$0
<b>OP</b>	polished aluminum	<input type="checkbox"/> A	+\$40

# Flo® Two-Piece Clamp Mount

Y92092



Thrive® Technology Support

## Product Information

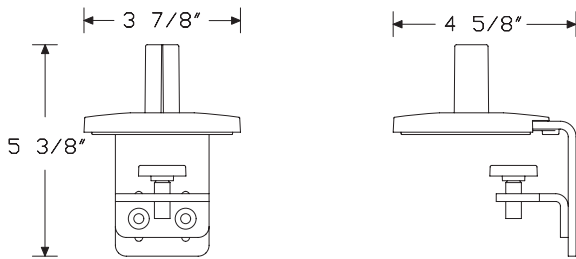
### Description

This clamp is used to attach a Flo® single screen monitor arm - arm only (Y92090) or an Ollin single screen monitor arm - arm only (Y95000.) to a work surface. Attachment hardware included.

### Notes

Flo two-piece clamp mount is compatible with Ollin monitor arms.  
 Order Ollin single screen monitor arm - arm only (Y95000.) separately.  
 Order Flo single screen monitor arm - arm only (Y92090) separately.  
 Clamp works on surfaces greater than 0" to less than 2½" thick.

## Dimensions



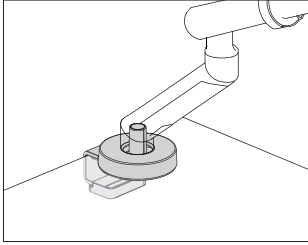
## Specification Information

### Step 1.

**Y92092.** \$68

### Step 2. Finish

<b>OH</b>	black <input type="checkbox"/>	+ \$0
<b>OI</b>	silver <input type="checkbox"/>	+ \$0
<b>OJ</b>	white <input type="checkbox"/>	+ \$0



**Product Information**

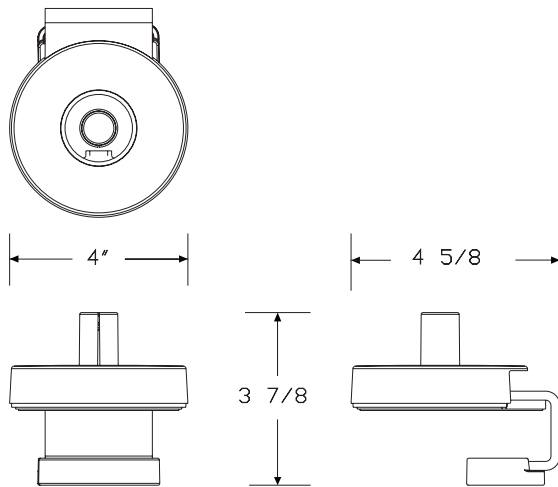
**Description**

This low profile clamp is used to attach a Flo® single screen monitor arm - arm only (Y92090) or an Ollin single screen monitor arm - arm only (Y95000.) to a work surface. The clamp is top mounted to speed installation. Attachment hardware is included.

**Notes**

Flo low profile clamp is compatible with Ollin monitor arms.  
 Order Ollin single screen monitor arm - arm only (Y95000.) separately.  
 Order Flo single screen monitor arm - arm only (Y92090) separately.  
 Clamp works on surfaces greater than 1/2" to less than 1" thick.

**Dimensions**



**Specification Information**

**Step 1.**

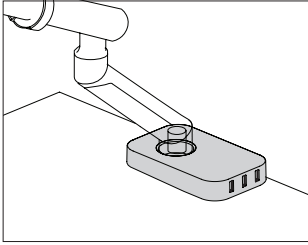
**Y92093.** A \$68

**Step 2. Finish**

**01** silver A +\$0

# Flo Power Hub

Y92091



Thrive® Technology Support

## Product Information

### Description

This retrofittable clamp cover provides USB charging at the clamp of different monitor arm assemblies. It has 3 USB charging ports: 2 standard and 1 high speed.

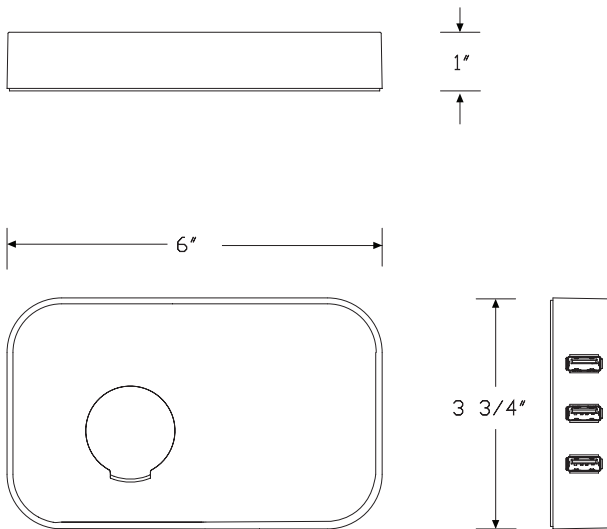
### Notes

Flo® Power Hub is compatible with clamp mounted Ollin monitor arms.  
 High speed USB port provides 2.4 amps of output.  
 Standard USB ports provide 1 amp of output.  
 This power hub works with the following monitor arm clamps:

- Flo two-piece clamp mount (Y92092.)
- Flo low profile clamp (Y92093.)
- Wishbone® post top-mounting surface clamp (Y92052.)
- Wishbone low profile clamp (Y92079.)

This product was designed by Colebrook Bosson Saunders Products Ltd.

## Dimensions



## Specification Information

### Step 1.

**Y92091.** A \$121

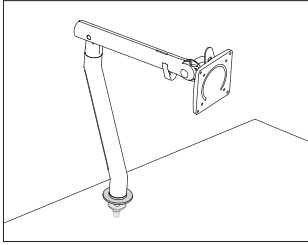
### Step 2. Finish

<b>0I</b>	silver	<span style="border: 1px solid black; padding: 0 2px;">A</span>	+\$0
<b>0J</b>	white	<span style="border: 1px solid black; padding: 0 2px;">A</span>	+\$0



# Flo® Through Mount

Y92094



### Product Information

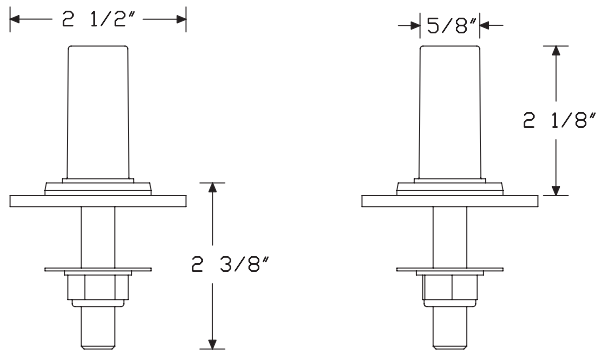
#### Description

This through-mount bracket is used to attach a Flo® single screen monitor arm - arm only (Y92090) or an Ollin single screen monitor arm - arm only (Y95000.) to a work surface. Attachment hardware is included.

#### Notes

Flo through mount is compatible with Ollin monitor arms.  
 Order Ollin single screen monitor arm - arm only (Y95000.) separately.  
 Order Flo single screen monitor arm - arm only (Y92090) separately.  
 Through-mount bracket works on surfaces up to 1 3/8" thick.

#### Dimensions



### Specification Information

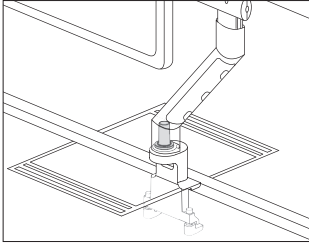
#### Step 1.

**Y92094.** A \$67

#### Step 2. Finish

**01** silver A +\$0

# Flo® Layout Studio Attachment Pin Y92089



Thrive® Technology Support

## Product Information

### Description

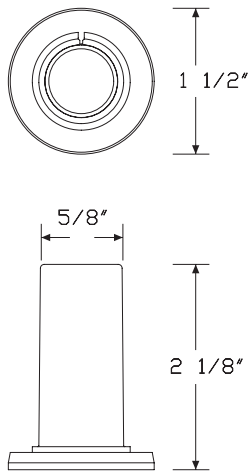
This attachment pin is used with the Flo® Layout Studio® performance rail clamp (Y92098.) to attach a Flo single screen monitor arm to a Layout Studio performance rail. Attachment hardware included.

### Notes

Order the following products separately:

- Flo Layout Studio performance rail clamp (Y92098.)
- Flo single screen monitor arm-arm only (Y92090.)

## Dimensions



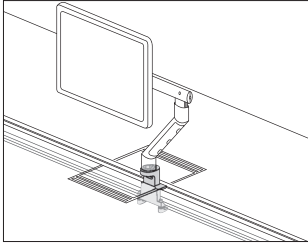
## Specification Information

### Step 1.

**Y92089.** [A] \$37

### Step 2. Finish

**01** silver [A] +\$0



**Product Information**

**Description**

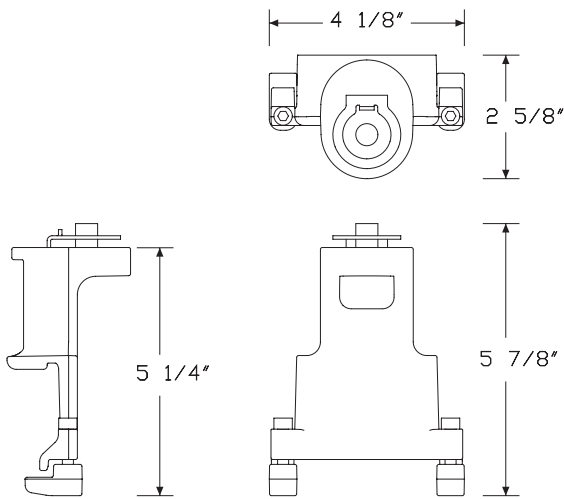
This clamp attaches a Flo® single screen monitor arm to a Layout Studio® performance rail. It is used with the Flo Layout Studio attachment pin, ordered separately. Clamp attachment hardware included.

**Notes**

Order the following products separately:

- Flo Layout Studio attachment pin (Y92089.)
- Flo single screen monitor arm-arm only (Y92090.)

**Dimensions**



**Specification Information**

**Step 1.**

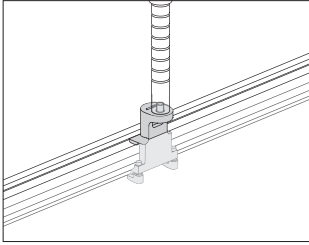
**Y92098.**  A \$31

**Step 2. Finish**

**0I** silver  A +\$0

**0J** white  A +\$0

Wishbone Post Performance Rail Clamp Y92099



Thrive® Technology Support

**Product Information**

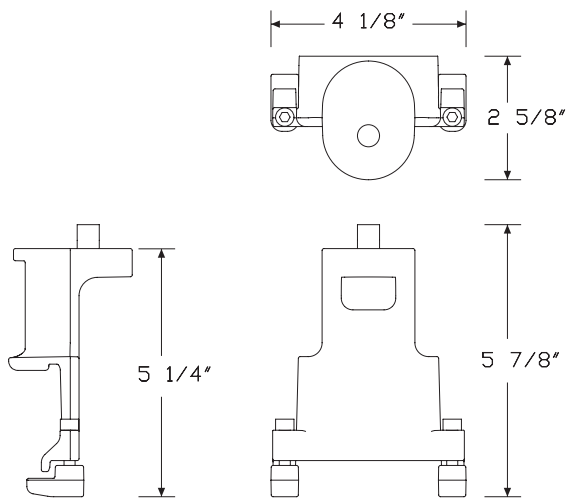
**Description**

This clamp attaches to a Layout Studio® performance rail to support a Wishbone® monitor arm post.

**Notes**

This product was designed by Colebrook Bosson Saunders Products Ltd.

**Dimensions**



**Specification Information**

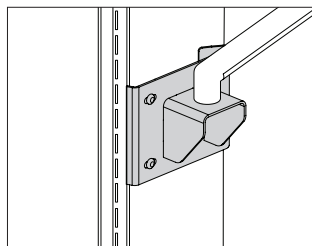
**Step 1.**

**Y92099.** [A] \$69

**Step 2. Finish**

**01** silver [A] +\$0

# Flo® Resolve Pole Mount Bracket Y92095 - Only



## Product Information

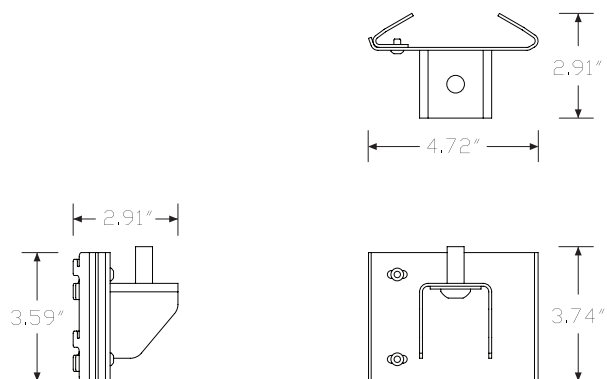
### Description

This bracket attaches a single Flo monitor arm to a Resolve System pole.

### Notes

Requires Flo single-screen monitor arm support, through-surface mount option (Y91171.T2) to complete installation.

### Dimensions



## Specification Information

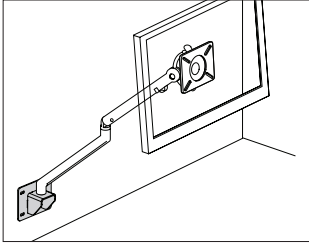
### Step 1.

**Y92095.** \$112

### Step 2. Finish

**01** silver +\$0

Flo® Wall Mount Bracket - Only Y92096



Thrive® Technology Support

**Product Information**

**Description**

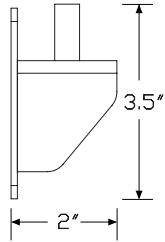
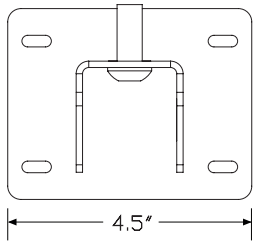
This bracket attaches a single Flo® monitor arm to a wall.

**Notes**

Requires Flo single-screen monitor arm support, through-surface mount option (Y91171.T2) to complete installation.

Does not include hardware to mount bracket to wall. For Compass™ applications, see Compass planning guide.

**Dimensions**



**Specification Information**

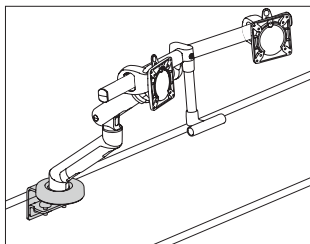
**Step 1.**

**Y92096.** [A] \$108

**Step 2. Finish**

**01** silver [A] +\$0

# Flo Plus Two-Piece Clamp Mount - Y92097 Clamp Only



## Product Information

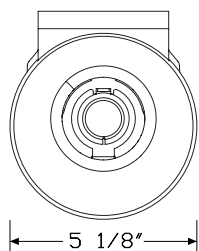
### Description

This clamp attaches a Flo Plus monitor arm to a work surface. Attachment hardware included.

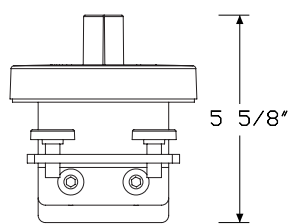
### Notes

Clamp works on surfaces 0" to 2 5/8" thick.  
Order Flo Plus monitor arm-arm only (Y92097o.) separately.

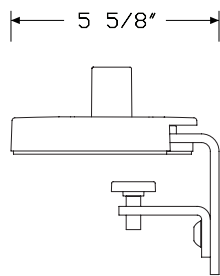
### Dimensions



5 1/8"



5 5/8"



5 5/8"

## Specification Information

### Step 1.

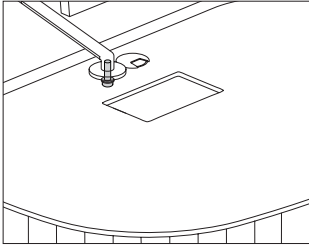
**Y920971.** A \$69

### Step 2. Finish

**01** silver A +\$0

# Through-Surface Mounting Bracket

Y92097



Thrive® Technology Support

## Product Information

### Description

This bracket attaches a Flo®, Ollin, or Wishbone® product through the surface of Locale®.

### Notes

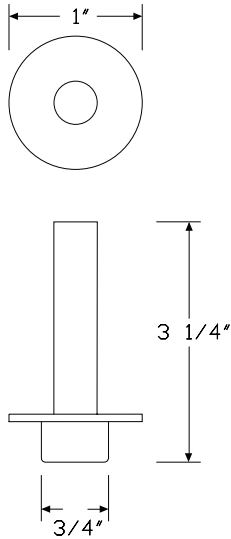
Flo through-surface mounting bracket is compatible with Ollin monitor arms.

Order Ollin single screen monitor arm - arm only (Y95000.) separately.

To order a complete Flo assembly, order the following separately:

- Flo single screen monitor arm - arm only (Y92090.OI)
- Flo through mount (Y92094.OI)

## Dimensions



## Specification Information

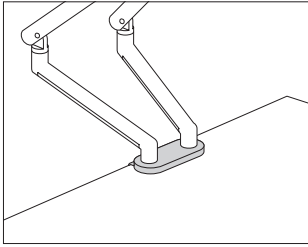
### Step 1.

Y92097. A

\$24



# Dual Flo® Surface Clamp Mount Y92100



## Product Information

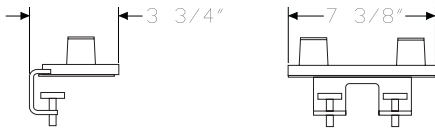
### Description

This clamp is used to attach 2 Flo single screen monitor arm - arm only (Y92090) to a work surface. The clamp is top mounted to speed installation. Attachment hardware is included.

### Notes

Order Flo single screen monitor arm - arm only (Y92090) separately.  
Clamp works on surfaces greater than 0" to less than 2½" thick.

### Dimensions



## Specification Information

### Step 1.

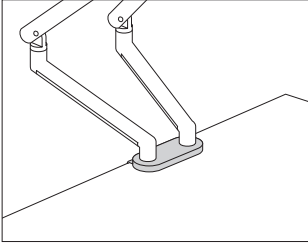
**Y92100.** \$145

### Step 2. Finish

**01** silver +\$0

# Dual Flo® Low Profile Surface Clamp Mount

Y92101



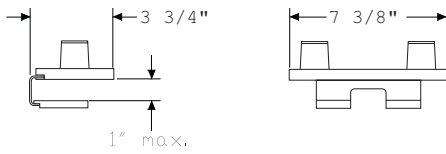
Thrive® Technology Support

## Product Information

**Description**  
 This low profile clamp is used to attach 2 Flo single screen monitor arm - arm only (Y92090) to a work surface. The clamp is top mounted to speed installation. Attachment hardware is included.

**Notes**  
 Order Flo single screen monitor arm - arm only (Y92090) separately.  
 Clamp works on surfaces greater than 1/2" to less than 1" thick.

## Dimensions

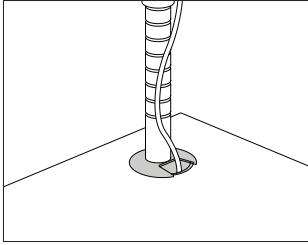


## Specification Information

<b>Step 1.</b>		
<b>Y92101.</b>		\$145
<b>Step 2. Finish</b>		
<b>01</b>	silver	+\$0

# Cast Grommet

Y92050



### Product Information

#### Description

This grommet allows through-surface attachment of a Wishbone® post or Flo® monitor arm on a surface up to 1½" thick. It has a cutout to allow cords to route through the surface. Attachment hardware included.

#### Notes

Field-drilling of surface may be required.

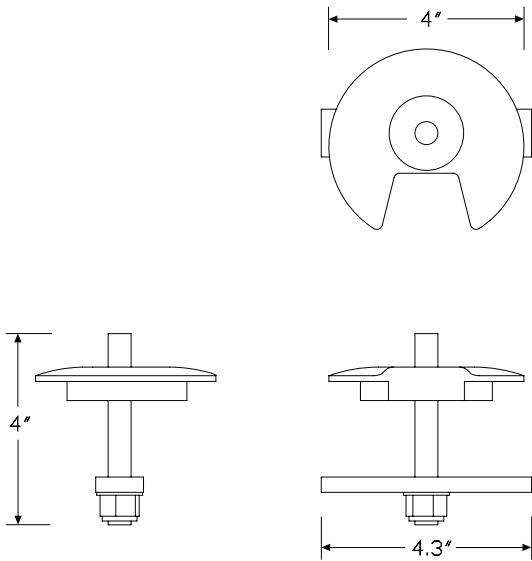
To accommodate a different surface thickness, specify the following products separately to attach post:

- Through-surface mounting bracket, 1¾" (Y92054.) or through-surface mounting bracket, 3" (Y92055.)

For use with Flo monitor arm, order Flo through mount (Y92094.) separately.

This product was designed by Colebrook Bosson Saunders Products Ltd.

#### Dimensions



### Specification Information

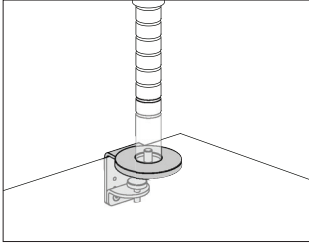
#### Step 1.

**Y92050.** A \$108

#### Step 2. Finish

**01** silver A +\$0

Wishbone® Post Top-Mounting Surface Clamp Y92052



Thrive® Technology Support

**Product Information**

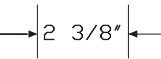
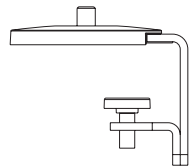
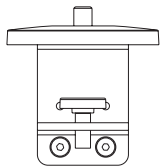
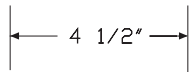
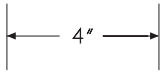
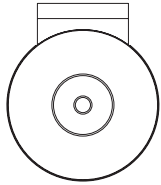
**Description**

This clamp attaches to a surface that is 1/2" - 2 5/8" thick to support a wishbone monitor arm post.

**Notes**

This product was designed by Colebrook Bosson Saunders Products Ltd.

**Dimensions**



**Specification Information**

**Step 1.**

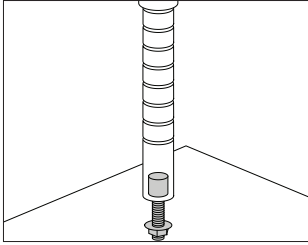
**Y92052.** \$69

**Step 2. Finish**

**01** silver +\$0

# Through-Surface Mounting Bracket, 1 3/8"

Y92054



### Product Information

#### Description

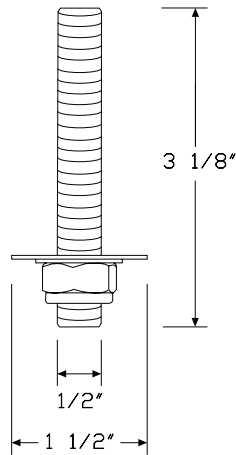
This bracket attaches through a surface up to 1<sup>3</sup>/<sub>8</sub>" thick to support a wishbone or quad monitor arm post. Attachment bolt, washer, nut and nylon washer for top of surface are included.

#### Notes

Specify optional spreader plate (Y92056.) separately.

This product was designed by Colebrook Bosson Saunders Products Ltd.

#### Dimensions



### Specification Information

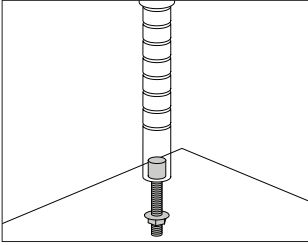
#### Step 1.

Y92054. A

\$24

# Through-Surface Mounting Bracket, 3"

Y92055



Thrive® Technology Support

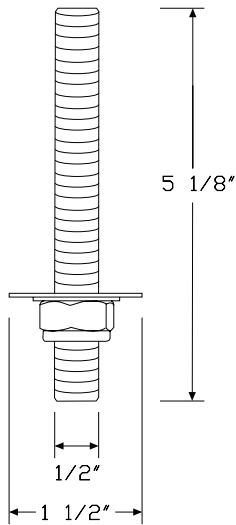
## Product Information

**Description**  
This bracket attaches through a surface up to 3" thick to support a wishbone or quad monitor arm post. Attachment bolt, washer, nut and nylon washer for top of surface are included.

## Notes

Specify optional spreader plate (Y92056.) separately.  
This product was designed by Colebrook Bosson Saunders Products Ltd.

## Dimensions

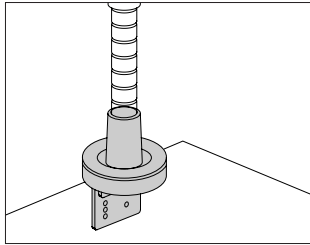


## Specification Information

Step 1.  
Y92055. A \$28

Wishbone® Post High Load  
Top-Surface Mounting Clamp

Y92071



**Product Information**

**Description**

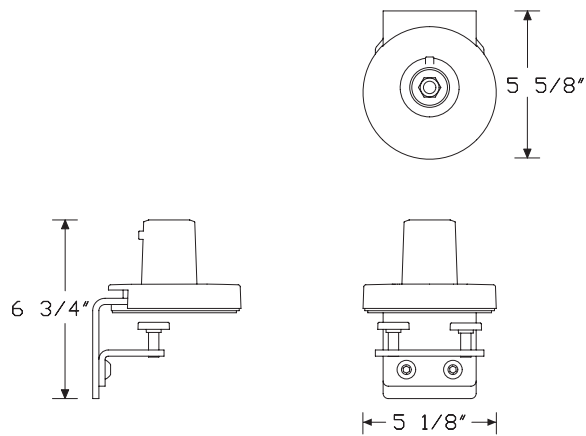
This clamp attaches to a surface that is 1/2" to 2 5/8" thick to support a Wishbone® monitor arm post.

**Notes**

Clamp is used for all quad-screen assemblies (Y91015., Y91025., Y91045.).

This product was designed by Colebrook Bosson Saunders Products Ltd.

**Dimensions**



**Specification Information**

**Step 1.**

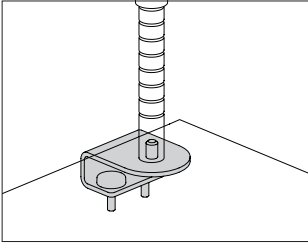
**Y92071.** A \$107

**Step 2. Finish**

**01** silver A +\$0

# Low-Profile Clamp

Y92079



Thrive® Technology Support

## Product Information

### Description

This clamp attaches to a surface to support a wishbone monitor arm post.

### Notes

Low-profile clamp works with Envelop® desk (Y7750.)

This product was designed by Colebrook Bosson Saunders Products Ltd.

## Dimensions

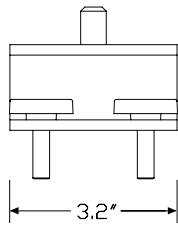
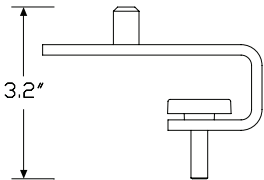
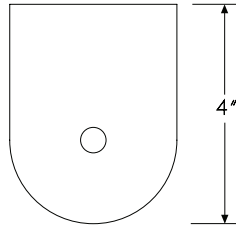
## Specification Information

### Step 1.

**Y92079.** A \$69

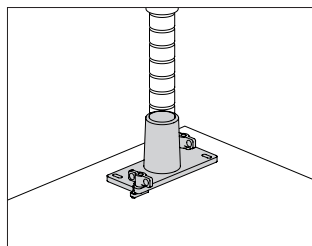
### Step 2. Finish

**01** silver A +\$0





# Beam-Mount Bracket, Wishbone Post Y92057



## Product Information

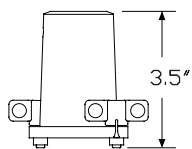
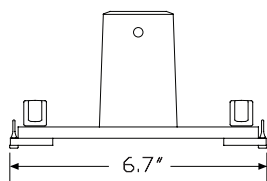
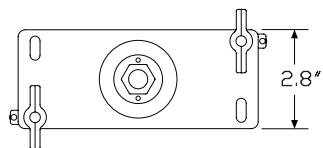
### Description

This bracket allows a Wishbone® post to attach to a horizontal beam found in many commercial traders desks and benching applications. Mounting hardware included.

### Notes

This product was designed by Colebrook Bosson Saunders Products Ltd.

### Dimensions



## Specification Information

### Step 1.

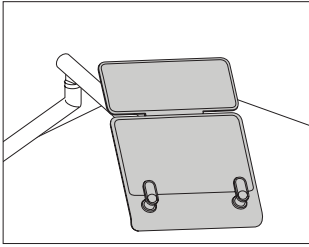
**Y92057.** A \$82

### Step 2. Finish

**01** silver A +\$0

# Laptop Mount

Y91177



Thrive® Technology Support

## Product Information

### Description

This laptop mount lifts notebook computers off the work surface and includes an integral handle and an auxiliary surface to support a docking station. The laptop mount attaches to a monitor arm with a 100mm VESA (Video Electronic Standards Association-Mounting Interface Standards) pattern and can support laptops up to 1½" thick. It can be used in both single- and dual-screen applications. Laptops are held securely to the mounting surface by two adjustable ratcheting feet.

### Notes

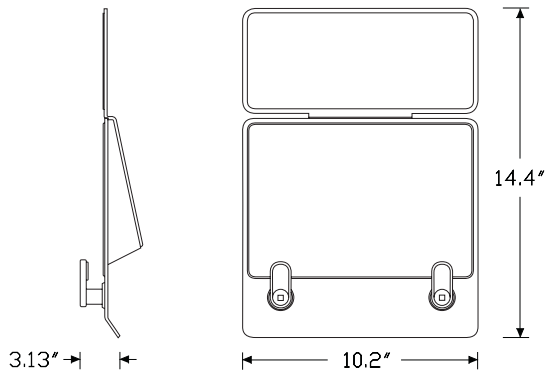
Maximum weight determined by the attached monitor arm.

Requires 100mm VESA plate (not included).

Supports laptops of varying widths, up to 11" deep and 1½" thick.

Supports docking stations up to 11" wide and 5" deep.

### Dimensions



## Specification Information

### Step 1.

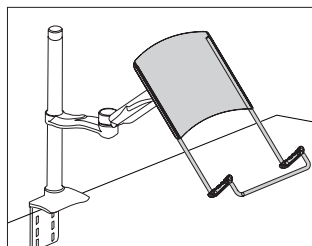
**Y91177.** \$120

### Step 2. Finish

**01** silver +\$0

# Concerto Laptop Mount

Y91191



## Product Information

### Description

This GSA approved laptop mount can be used in conjunction with Concerto monitor arms to support laptops.

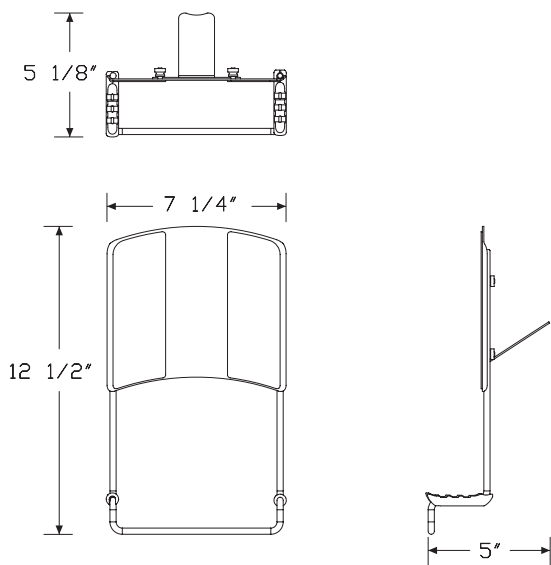
### Notes

This is a Thrive® Portfolio laptop mount for GSA customers.

Laptop mount works with the following products, ordered separately:

- Concerto modular monitor arm assembly (Y91179.)
- Concerto single screen monitor arm assembly (Y91185.)
- Concerto modular monitor arm - arm only (Y91190.)

## Dimensions



## Specification Information

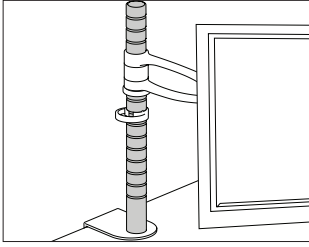
### Step 1.

**Y91191.**  A \$152

### Step 2. Finish

**0I** silver  A +\$0  
**0J** white  A +\$0  
**0H** black  A +\$0

Thrive® Technology Support

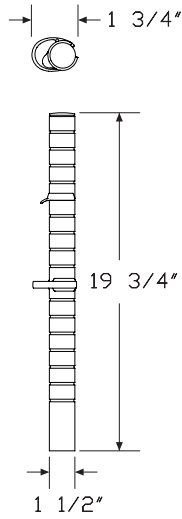


**Product Information**

**Description**  
 This post attaches to a surface to support monitor arms. 15<sup>3</sup>/<sub>4</sub>"-high post and higher includes a monitor arm location ring and a cable management clip. Monitor arm and post attachment must be specified separately.

**Notes**  
 This product was designed by Colebrook Bosson Saunders Products Ltd.

**Dimensions**



**Specification Information**

**Step 1.**  
**Y92001.**

**Step 2. Size**

<b>04</b>	4" high
<b>07</b>	7 <sup>7</sup> / <sub>8</sub> " high
<b>15</b>	15 <sup>3</sup> / <sub>4</sub> " high
<b>19</b>	19 <sup>3</sup> / <sub>4</sub> " high

**Prices for Steps 1-2.**

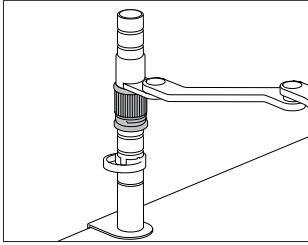
<b>Y92001. 04</b>	\$64
<b>07</b>	\$77
<b>15</b>	\$102
<b>19</b>	\$108

**Step 3. Finish**

<b>01</b>	silver	+\$0
-----------	--------	------

# Fine Height Adjuster

Y92024



### Product Information

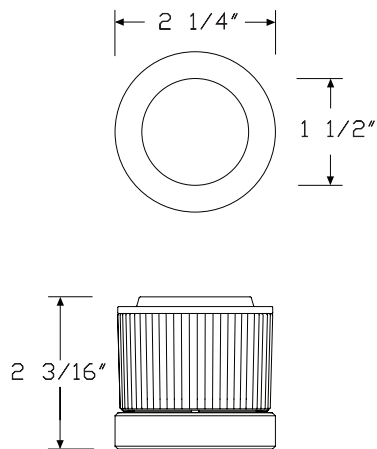
#### Description

This adjuster mounts to a post and allows the height of a monitor arm to be adjusted in small increments to assist in alignment of adjacent monitors. Finish is black.

#### Notes

This product was designed by Colebrook Bosson Saunders Products Ltd.

#### Dimensions



### Specification Information

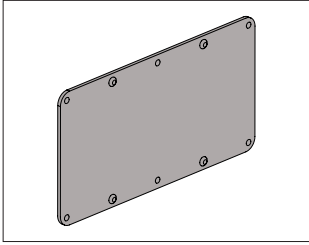
#### Step 1.

Y92024. A

\$18

Adapter Plate - 100 mm to 200 mm

Y92082



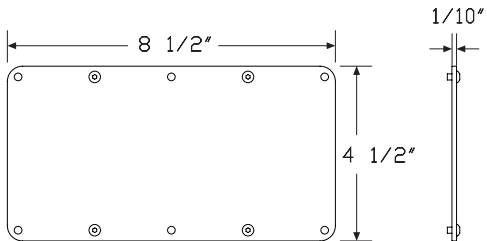
Thrive® Technology Support

**Product Information**

Description

This adapter plate attaches to a monitor arm mounting plate with a 100mm x 100mm hole pattern to allow attachment of a flat panel monitor with a 100mm x 200mm hole pattern.

Dimensions



**Specification Information**

Step 1.

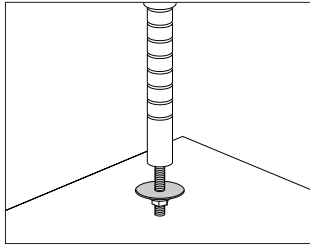
**Y92082.** [A] \$74

Step 2. Finish

**0H** black [A] +\$0

# Spreader Plate

Y92056



### Product Information

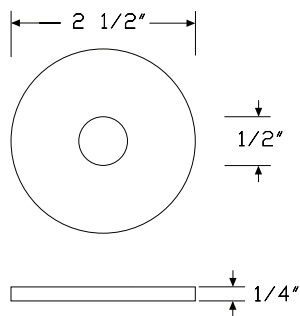
#### Description

This 2 1/2"-diameter plate attaches between a Wishbone® post and a surface to provide added stability. Package of 1.

#### Notes

This product was designed by Colebrook Bosson Saunders Products Ltd. Spreader plate is not compatible with cast grommet (Y92050).

### Dimensions



### Specification Information

#### Step 1.

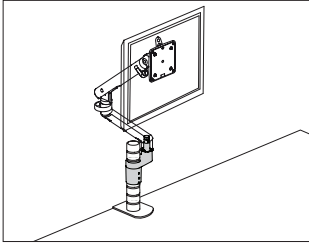
**Y92056.** A \$24

#### Step 2. Finish

**01** silver A +\$0

Thrive® Technology Support

Flo® Modular Bracket - Bracket Only Y92103



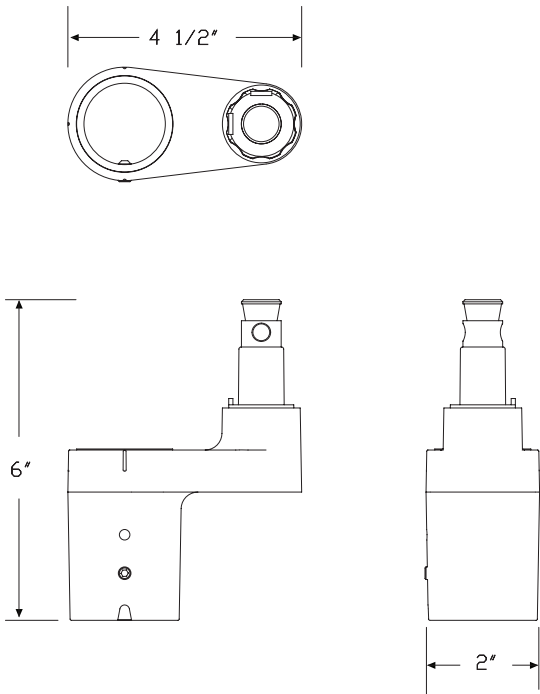
Thrive® Technology Support

**Product Information**

**Description**  
This bracket attaches a Flo® monitor arm to the Wishbone post.

**Notes**  
This product is the bracket only.  
Bracket includes a 180° stop to protect area behind work surface.  
Each Flo arm used on a Wishbone post requires a bracket.

**Dimensions**



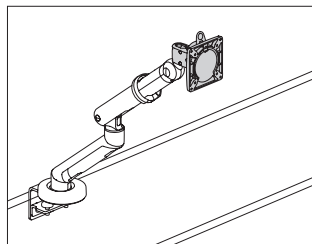
**Specification Information**

<b>Step 1.</b>		
<b>Y92103.</b>	<b>A</b>	\$61
<b>Step 2. Finish</b>		
<b>01</b>	silver <b>A</b>	+\$0



# Flo Plus Single Head Mount - Head Only

Y92097



## Product Information

### Description

This mounting head attaches a Flo Plus monitor arm to a monitor and provides +/- 40° of tilt. This part also serves as the kit to convert a Flo Plus Dual to a Flo Plus Single.

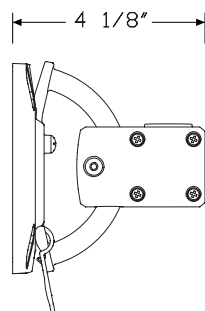
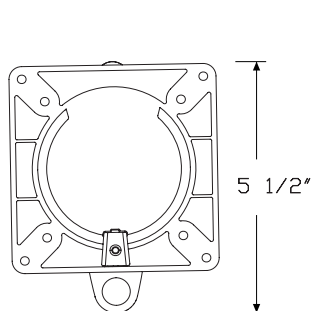
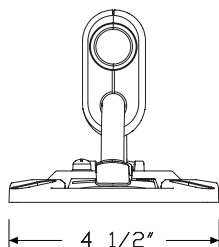
### Notes

75mm and 100mm VESA compliant.

Order this single head mount to convert a Flo Plus Dual to a Flo Plus Single.

Supports monitors ranging in weight from 20-40 pounds.

## Dimensions



## Specification Information

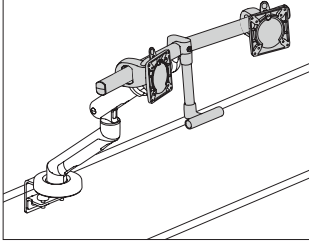
### Step 1.

**Y92097.** A \$100

### Step 2. Finish

**01** silver A +\$0

Flo Plus Dual Mount Bar - Dual Mount Bar Only Y92097



Thrive® Technology Support

**Product Information**

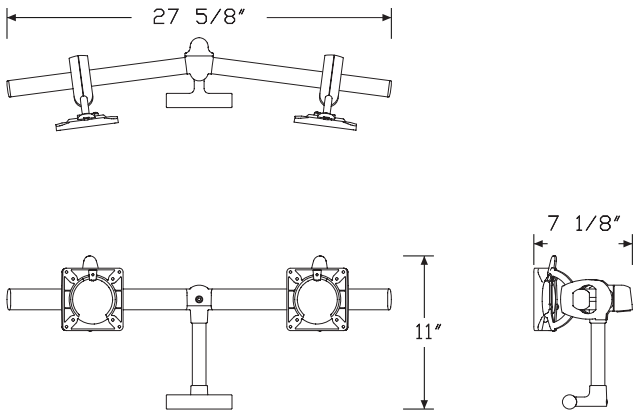
**Description**

This dual mount bar attaches 2 monitors to a Flo Plus monitor arm-arm only. The handle allows both monitors to move in tandem. The bar holds 2 monitors up to 24" wide and ranging in weight from 10-20 pounds each. This part also serves as the kit to convert a Flo Plus Single to a Flo Plus Dual. VESA brackets included.

**Notes**

75mm and 100mm VESA compliant.  
 Allen wrench for installing and tensioning the monitor arms included.  
 Order this dual mount bar to convert a Flo Plus Single to a Flo Plus Dual.  
 Order Flo Plus monitor arm-arm only (Y920970.) separately.  
 Supports monitors ranging in weight from 10-20 pounds each.

**Dimensions**



**Specification Information**

**Step 1.**

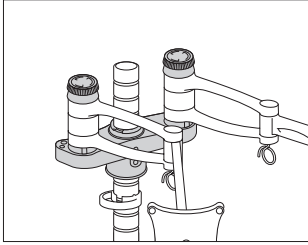
**Y920973.** [A] \$279

**Step 2. Finish**

**01** silver [A] +\$0

Enhanced Back-To-Back Post  
Bracket

Y92009



**Product Information**

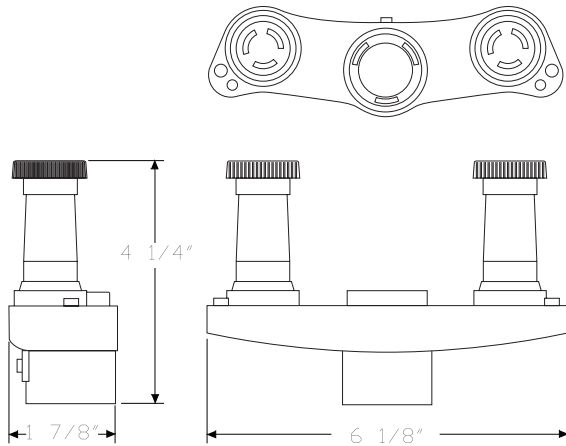
**Description**

This bracket mounts to a wishbone post to support 2 wishbone or wishbone plus monitor arms. It is used to create a new dual or quad monitor arm assembly, convert a single assembly into a dual monitor, or is added to an existing dual assembly to create a quad assembly.

**Notes**

To support 3 screens, specify the wishbone c-post bracket (Y92026.) separately.  
Maximum monitor width in triple screen configuration is 19".

**Dimensions**



**Specification Information**

**Step 1.**

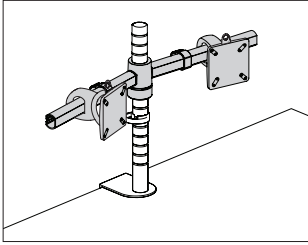
**Y92009.** \$104

**Step 2. Finish**

**01** silver +\$0

Wishbone Dual Bar - Bar Only

Y92104



Thrive® Technology Support

**Product Information**

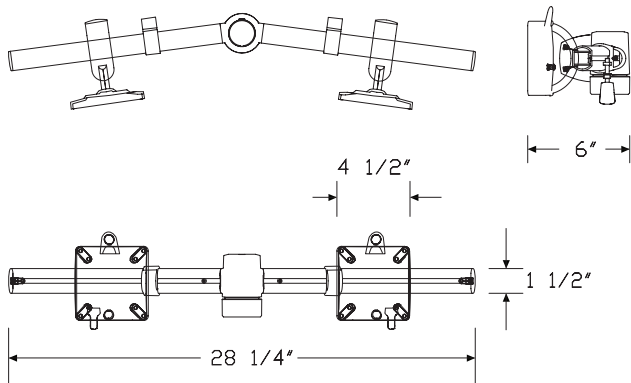
**Description**

This dual bar attaches to the Wishbone post to allow 2 monitors to be set at the appropriate ergonomic height. It is a great solution for high density applications getting the monitors aligned at the back of the work surface. It comes with the VESA brackets set up in a cockpit orientation.

**Notes**

This product number is for the dual bar only.  
 Product accepts 2 monitors up to 24" each on the crossbar.  
 Product supports monitors up to 26 pounds each.

**Dimensions**



**Specification Information**

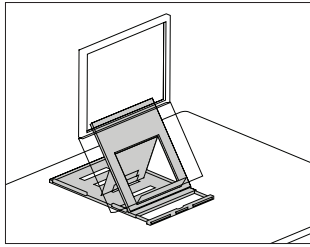
**Step 1.**

**Y92104.** [A] \$395

**Step 2. Finish**

**01** silver [A] +\$0

# Lapjack™ Portable Laptop Holder Y92043



## Product Information

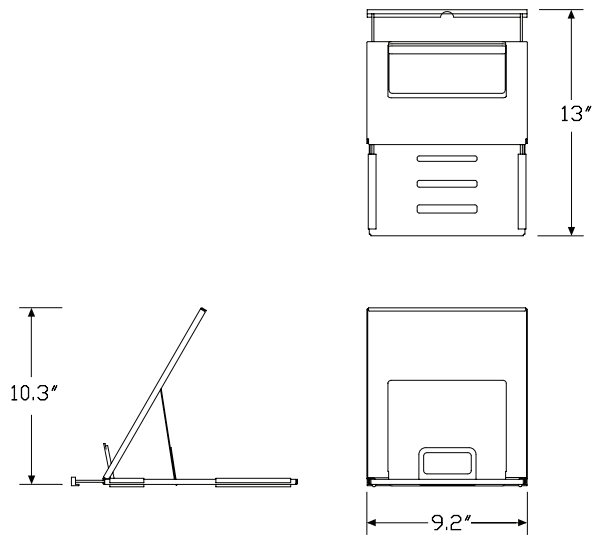
### Description

This laptop holder folds flat, is easily transportable, and sits freestanding on a surface to hold a laptop computer. It elevates the laptop and works with an external keyboard and mouse.

### Notes

This product was designed by Colebrook Bosson Saunders Products Ltd.

### Dimensions



## Specification Information

### Step 1.

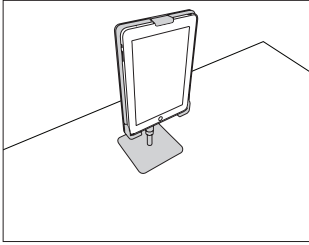
**Y92043.** A \$124

### Step 2. Finish

**01** silver A +\$0

# Tabetha Tablet Mount

Y92115



Thrive® Technology Support

## Product Information

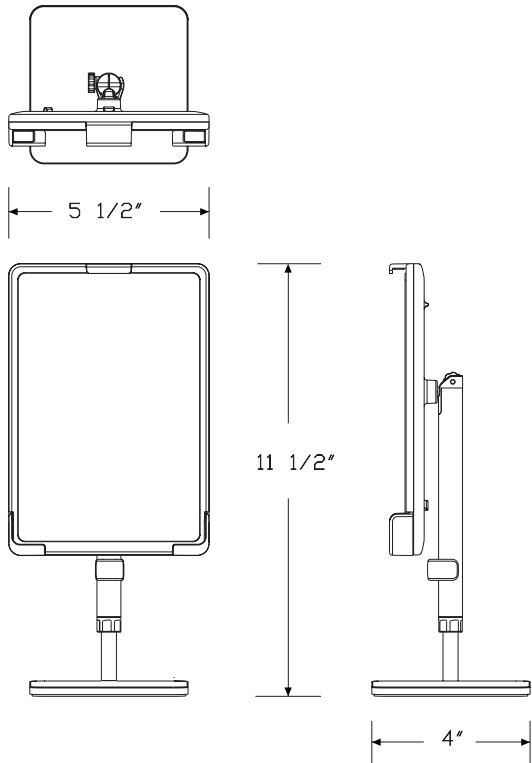
### Description

This freestanding tablet mount is designed to support tablets at an appropriate work height, tilt, and orientation. It features 3 adjustable and lockable arms to accommodate varying tablet sizes and has 4" of height adjustment and 50° of tilt.

### Notes

Tablet mount supports tablets ranging from 7"-12.9".  
Compatible tablets include iPad® Mini, iPad, iPad Pro, Microsoft® Surface, and others.

### Dimensions



## Specification Information

### Step 1.

**Y92115.** A

### Step 2. Tablet Size Range

**13** tablets ranging from 7" to 12.9" A

### Step 3. Tablet Support Type

**FR** freestanding A

### Prices for Steps 1-3.

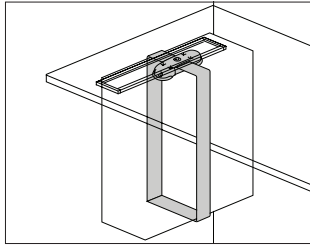
	<b>FR</b>
<b>Y92115. 13</b>	\$165

### Step 4. Finish

<b>0J</b> white <span style="border: 1px solid black; padding: 0 2px;">A</span>	+\$0
---	------

# LOOP™ Adjustable CPU Holder Assembly

Y91104



## Product Information

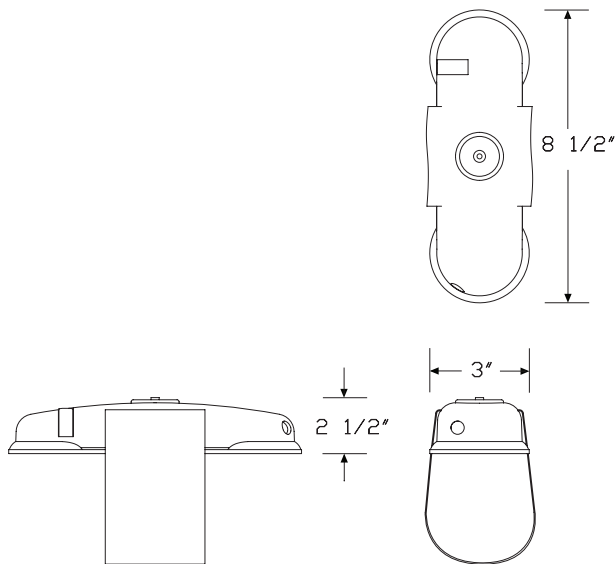
### Description

This CPU holder hangs below a surface to hold a CPU in a vertical position and includes a 5" or 13<sup>3</sup>/<sub>4</sub>" track. Height adjusts from 9<sup>1</sup>/<sub>2</sub>" to 19<sup>3</sup>/<sub>4</sub>" high. Width adjusts from 3.1" to 9" wide.

### Notes

CPU holder supports a maximum of 44 lbs.  
This product was designed by Colebrook Bosson Saunders Products Ltd.

### Dimensions



## Specification Information

### Step 1.

**Y91104.**

### Step 2. Length

**05** 5" long A  
**13** 13<sup>3</sup>/<sub>4</sub>" long

### Prices for Steps 1-2.

<b>Y91104. 05</b>	\$197
<b>13</b>	\$202

### Step 3. Finish

#### For 5" long (05)

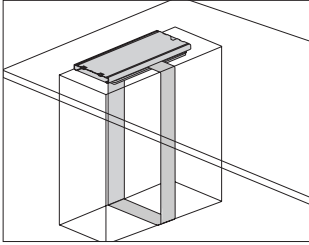
<b>0I</b> silver	+\$0
------------------	------

#### For 13<sup>3</sup>/<sub>4</sub>" long (13)

<b>0H</b> black	+\$0
-----------------	------

# Adjustable Strap CPU Holder Assembly

Y7815.



Thrive® Technology Support

## Product Information

### Description

This GSA eligible black holder mounts under a work surface to hold a central processing unit (CPU). The CPU holder has different track lengths for different applications including a 5" track for use with Renew® tables. Holder swivels 360° for easier connections at the back of the CPU. A strap adjustment wrench is included and stores within the holder. Attachment hardware included.

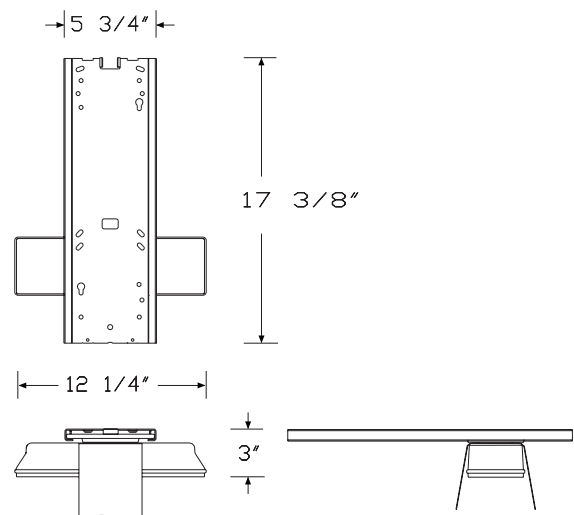
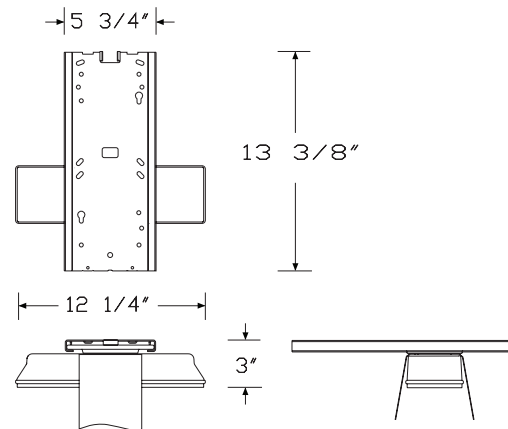
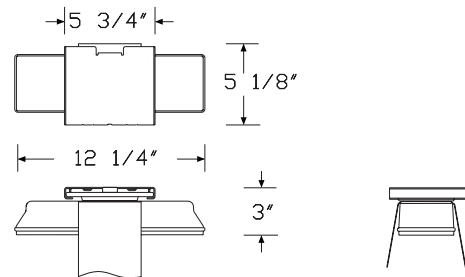
### Notes

.....  
CPU holder supports a maximum of 50 pounds.

.....  
CPU holder supports maximum CPU size of 64".

.....  
CPU holder is GSA eligible.

## Dimensions





# Adjustable Strap CPU Holder

## Assembly *continued*

### Specification Information

Step 1.

**Y7815.**  A

Step 2. Length

**05** 5" long  A

**13** 13<sup>3</sup>/<sub>4</sub>" long  A

**18** 17<sup>3</sup>/<sub>4</sub>" long  A

Prices for Steps 1-2.

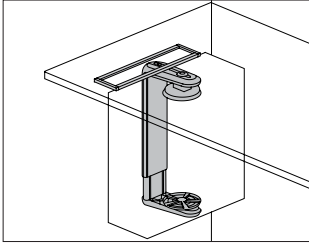
<b>Y7815. 05</b>	\$209
<b>13</b>	\$219
<b>18</b>	\$230

Step 3. Finish

**0H** black  A +\$0

# JAW™ Adjustable CPU Holder Assembly

Y91103



Thrive® Technology Support

## Product Information

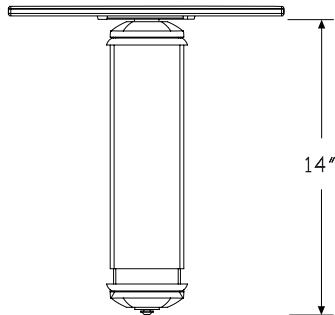
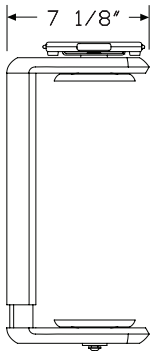
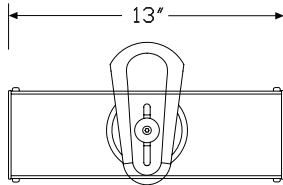
### Description

This CPU holder hangs below a surface to hold a CPU in a vertical position and includes a 5" or 13<sup>3</sup>/<sub>4</sub>" track. Height adjusts from 11<sup>1</sup>/<sub>2</sub>" to 20" high. Width adjusts from 3<sup>1</sup>/<sub>2</sub>" to 9<sup>1</sup>/<sub>2</sub>" wide.

### Notes

CPU holder supports a maximum of 55 lbs.  
 This product was designed by Colebrook Bosson Saunders Products Ltd.

### Dimensions



## Specification Information

### Step 1.

**Y91103.**

### Step 2. Length

- 05** 5" long A
- 13** 13<sup>3</sup>/<sub>4</sub>" long

### Prices for Steps 1-2.

<b>Y91103. 05</b>	\$254
<b>13</b>	\$259

### Step 3. Finish

#### For 5" long (05)

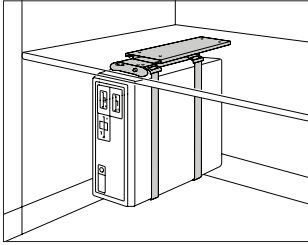
<b>0I</b> silver	+\$0
------------------	------

#### For 13<sup>3</sup>/<sub>4</sub>" long (13)

<b>0H</b> black	+\$0
-----------------	------

# CPU Holder

Y7813.



### Product Information

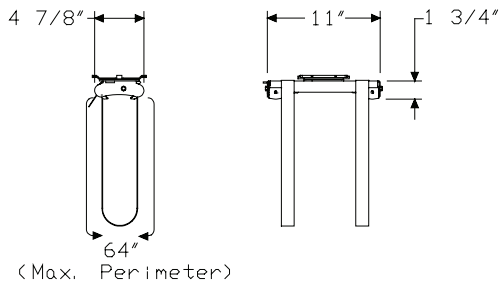
#### Description

This black holder mounts under a work surface and holds a central processing unit (CPU) in a vertical position. The holder slides out 11½" and swivels 360° for easier connections at the back of the CPU. Straps on the holder support a CPU of up to 75 pounds and a maximum outside dimension of 64". A wrench is included to adjust the straps; the wrench stores within the holder. The holder has an 18"-long track. Attachment hardware is included.

#### Notes

Bottom of work surface cannot have any bracing or obstruction.

#### Dimensions



### Specification Information

#### Step 1.

Y7813. A

#### Step 2. Usage

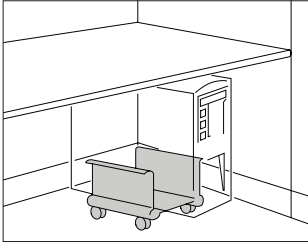
V vertical

#### Prices for Steps 1-2.

Y7813. V \$238

CPU Holder, Mobile

Y7812.



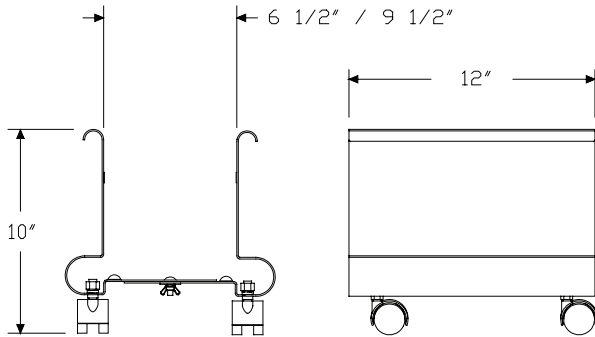
Thrive® Technology Support

**Product Information**

**Description**

This mobile unit holds a central processing unit (CPU) in a vertical position. It is 12" deep and 10" high (including casters). The holder expands from 6½" to 9½" wide and supports a CPU of up to 60 pounds. It has foam straps to protect the CPU. Casters are black.

**Dimensions**



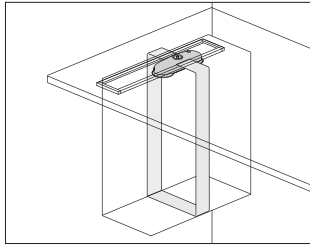
**Specification Information**

**Step 1.**

**Y7812.** \$188

**Step 2. Finish**

<b>91</b>	white	+\$0
<b>BU</b>	black umber	+\$0
<b>CL</b>	cool grey neutral	+\$0
<b>CN</b>	metallic champagne	+\$0
<b>EH</b>	metallic bronze	+\$0
<b>G1</b>	graphite	+\$0
<b>LU</b>	soft white	+\$0
<b>MS</b>	metallic silver	+\$0
<b>WN</b>	warm grey neutral	+\$0



**Product Information**

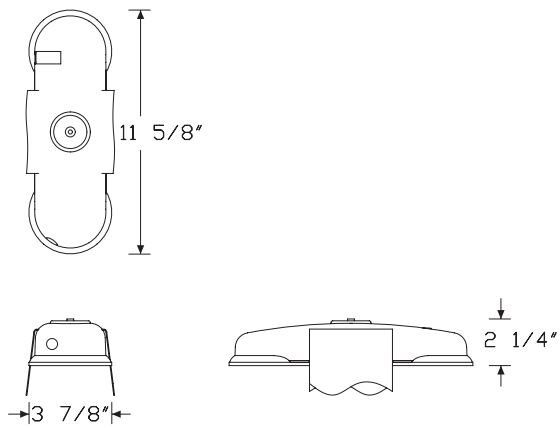
**Description**

This CPU holder hangs below a surface to hold a CPU in a vertical position. The height can be adjusted from 11" to 19<sup>3</sup>/<sub>4</sub>" high. The width can be adjusted from 3<sup>1</sup>/<sub>2</sub>" to 9" wide.

**Notes**

Specify CPU holder slide and rotate kit (Y92038.) separately.  
 CPU holder supports a maximum of 44 lbs.  
 This product was designed by Colebrook Bosson Saunders Products Ltd.

**Dimensions**



**Specification Information**

**Step 1.**

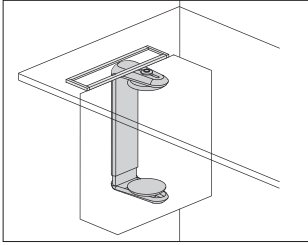
**Y92041.** \$156

**Step 2. Finish**

**OH** black +\$0

# JAW™ Adjustable CPU Holder

Y92040



Thrive® Technology Support

## Product Information

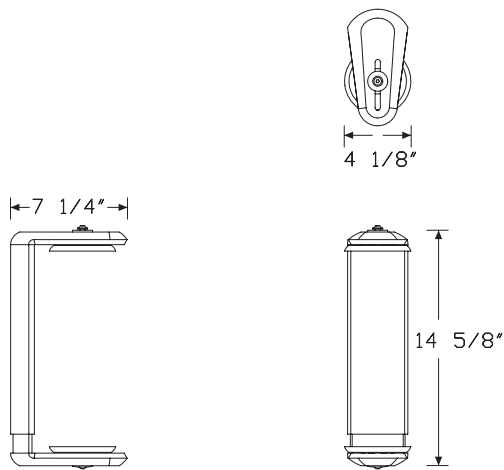
### Description

This CPU holder hangs below a surface to hold a CPU in a vertical position. The height can be adjusted from 11½" to 20" tall. The width can be adjusted from 3½" to 9½" wide.

### Notes

Specify CPU holder slide and rotate kit (Y92038.) separately.  
 CPU holder supports a maximum of 55 lbs.  
 This product was designed by Colebrook Bosson Saunders Products Ltd.

## Dimensions



## Specification Information

### Step 1.

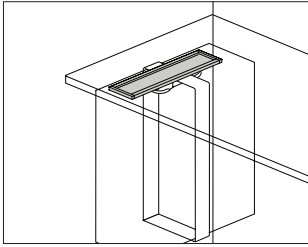
**Y92040.** [A] \$213

### Step 2. Finish

**01** silver [A] +\$0

# Universal CPU Holder Slide & Rotate Kit

Y92038



## Product Information

### Description

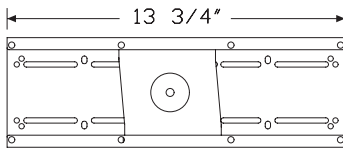
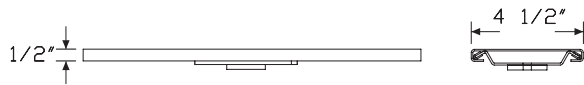
This kit attaches to a surface to support a CPU holder. It includes a track that allows the CPU holder to slide out and rotate for easy access. Attachment hardware included.

### Notes

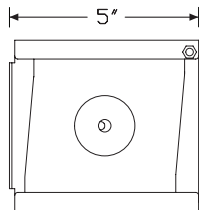
Slide & rotate kit is compatible with Colebrook Bosson Saunders CPU holders.

This product was designed by Colebrook Bosson Saunders Products Ltd.

### Dimensions



Universal slide & rotate



Universal Mounting rotating bracket

## Specification Information

### Step 1.

**Y92038.**

### Step 2. Length

**05** 5" long  A

**13** 13<sup>3</sup>/<sub>4</sub>" long

### Prices for Steps 1-2.

<b>Y92038. 05</b>	\$41
<b>13</b>	\$46

### Step 3. Finish

#### For 5" long (05)

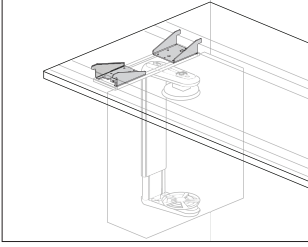
<b>0I</b> silver <input type="checkbox"/> A	+\$0
---	------

#### For 13<sup>3</sup>/<sub>4</sub>" long (13)

<b>0H</b> black	+\$0
-----------------	------

# CPU Track Adapter

Y92039



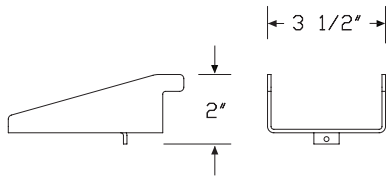
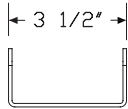
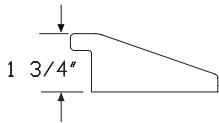
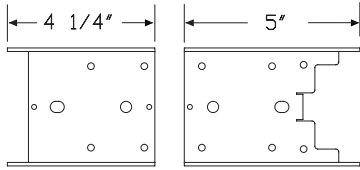
Thrive® Technology Support

## Product Information

**Description**  
This hardware kit suspends a LOOP™ or JAW™ CPU holder with 1 3/4" track beneath Layout Studio® beams. The CPU holder assembly must be ordered separately.

**Notes**  
Order LOOP (Y91104.13) or JAW (Y91103.13) CPU holder assembly with 1 3/4" track separately.

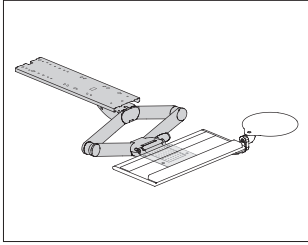
## Dimensions



## Specification Information

Step 1.  
**Y92039.** A \$47





**Product Information**

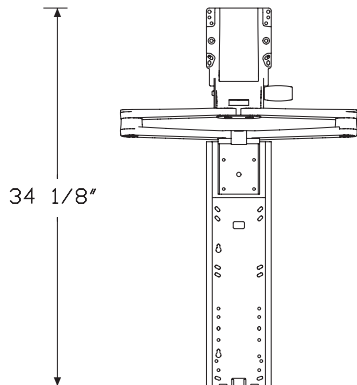
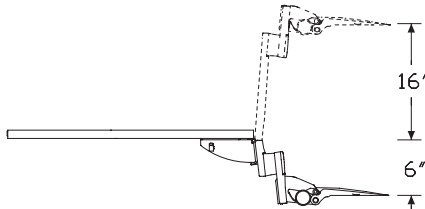
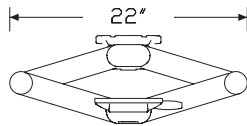
**Description**

The STS series of keyboard solutions provides a sit-to-stand keyboard mechanism and platforms for a fixed-height work surface.

**Notes**

For use with this keyboard support, Flo® modular (Y91180.) is recommended to provide sit-to-stand capability for the monitor.  
 Total height adjustment range is 22". Adjustment is 16" above the track and 6" below the track.  
 Tilt range is -15° to +10°.

**Dimensions**



**Specification Information**

**Step 1.**

**Y7745.** [A]

**Step 2. Track Length**

**3** 21 3/4"-long track [A]

**Step 3. Keyboard Platform**

**A** 20" HDPE tray with adjustable mouse tray [A]

**B** 20" aluminum tray with adjustable mouse tray [A]

**G** 20" HDPE tray with swivel mouse tray [A]

**J** 20" aluminum tray with swivel mouse tray [A]

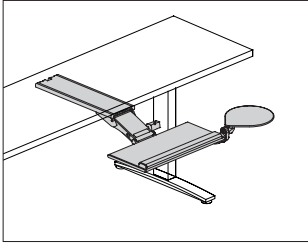
**K** 27" HDPE tray [A]

**Prices for Steps 1-3.**

	<b>A</b>	<b>B</b>	<b>G</b>	<b>J</b>	<b>K</b>
<b>Y7745. 3</b>	\$569	610	548	589	584

**Step 4. Keyboard Mechanism Color**

**OH** black [A] +\$0



Thrive® Technology Support

**Product Information**

**Description**

The LS series of keyboard solutions feature an innovative, slim profile keyboard mechanism and platforms that accommodate virtually any application. The LS mechanism has an 8<sup>7</sup>/<sub>8</sub>" height range; 2<sup>3</sup>/<sub>8</sub>" above the track and 6<sup>1</sup>/<sub>2</sub>" below the track, making the LS mechanism ANSI/HFES 100-2007 compliant. The LS mechanism has a dial-a-tilt range of +15°/-20° and stores neatly beneath the work surface within 2" of space.

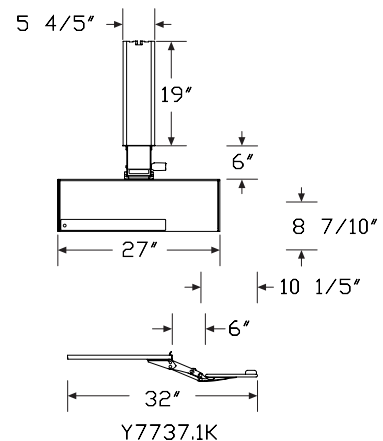
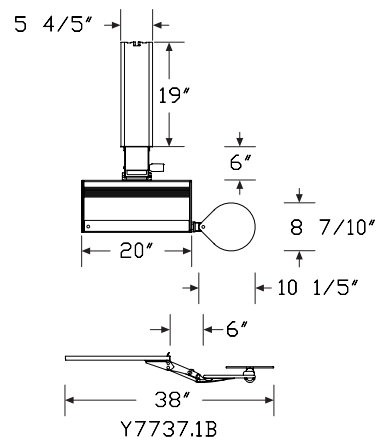
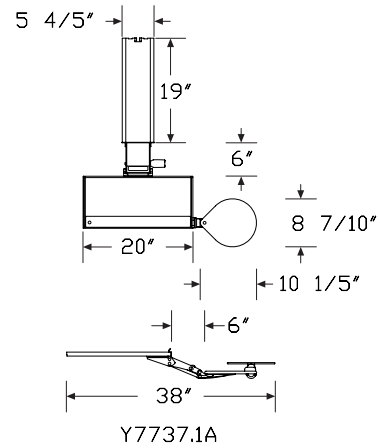
Each keyboard solution is available with 3 specifiable track lengths to accommodate varying work surface depths. The comfort surface tray is an ideal solution for ergonomic keyboards.

**Notes**

White keyboard mechanism only allows aluminum and white trays to be used.

For all mechanism colors, track color is black.

**Dimensions**



# LS Series Keyboard Solutions

continued

## Specification Information

Step 1.

**Y7737.**

Step 2. Track Length

- 1** 17"-long track
- 2** 19"-long track
- 3** 21<sup>3</sup>/<sub>4</sub>"-long track

Step 3. Keyboard Platform

- A** 20" HDPE tray with adjustable mouse tray
- B** 20" aluminum tray with adjustable mouse tray
- C** 22" plastic tray with adjustable mouse tray
- D** 22" plastic tray with swivel mouse tray
- G** 20" HDPE tray with swivel mouse tray
- H** comfort surface tray with mouse tray/house
- J** 20" aluminum tray with swivel mouse tray
- K** 27" HDPE tray
- M** mini HDPE tray with swivel mouse
- N** mini HDPE tray with height adjustable mouse
- P** white phenolic tray with swivel mouse tray
- Q** white phenolic tray with adjustable mouse tray

Prices for Steps 1-3.

	<b>A</b>	<b>B</b>	<b>C</b>	<b>D</b>	<b>G</b>	<b>H</b>
<b>Y7737. 1</b>	\$396	447	385	364	375	402
<b>2</b>	\$414	463	402	380	391	419
<b>3</b>	\$429	481	419	396	409	435

	<b>J</b>	<b>K</b>	<b>M</b>	<b>N</b>	<b>P</b>	<b>Q</b>
<b>Y7737. 1</b>	\$429	385	375	396	375	396
<b>2</b>	\$447	402	391	414	391	414
<b>3</b>	\$463	419	409	429	409	429

Step 4. Keyboard Mechanism Color

For 20" HDPE tray with adjustable mouse tray (A), 22" plastic tray with adjustable mouse tray (C), 22" plastic tray with swivel mouse tray (D), 20" HDPE tray with swivel mouse tray (G), comfort surface tray with mouse tray/house (H), 27" HDPE tray (K), mini HDPE tray with swivel mouse (M), or mini HDPE tray with height adjustable mouse (N)

**OH** black +\$0

For 20" aluminum tray with adjustable mouse tray (B) or 20" aluminum tray with swivel mouse tray (J)

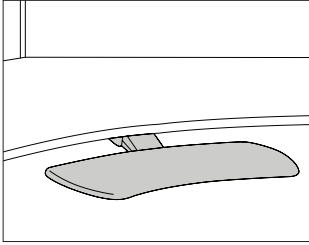
**OH** black +\$0

**OJ** white +\$0

For white phenolic tray with swivel mouse tray (P) or white phenolic tray with adjustable mouse tray (Q)

**OJ** white +\$0

Thrive® Technology Support



**Product Information**

**Description**

This keyboard support has a track and a separate platform. The support adjusts 8 1/4" above the track and 5 7/8" below the track (total range of 14 1/8") to provide sit-to-stand capability. A torsion spring helps offset keyboard weight during height adjustment. A tilt knob provides independent tilt adjustment from -15° to 10°. A glide track system allows easy movement, and the support swivels 360 degrees for storage beneath the work surface. Attachment hardware is included. Shipped knocked down.

The concave platform attaches to a boomerang™, rectangular, or corner work surface. It has a wider surface that holds a keyboard and mouse, a laptop computer, or other input device. The routed edge on the platform makes it easy to grasp and move. Each platform has 4 clips that attach along the routed edge. The clips hold cords in place and keep a keyboard from sliding off the platform when tilted backward. The concave platform is available in 2 shapes: the concave platform with notched corners (Y7724.A) fits into the contour of a 24"-deep x 36"-wide corner work surface. The concave platform (Y7724.B) fits into the contour of a concave work surface. Each concave platform has a laminate or formcoat® finish.

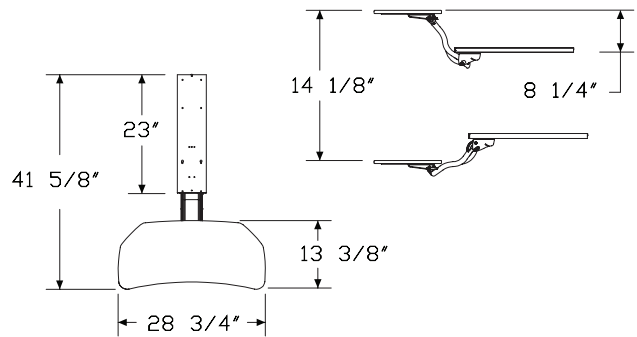
The platform with palm rest and mouse tray attaches to a boomerang, rectangular, or corner work surface. It holds a detached keyboard and mouse. The platform includes 2 wire management clips, 4 anti-skid pads for the keyboard, 1 adhesive mouse keeper to keep the mouse from sliding off the tray when tilted backward, and 1 mouse pad. The mouse tray swivels 360° and tilts forward and backward; it mounts on either side of the platform for right- or left-handed users. The black palm rest is washable foam.

Trays are available in plastic, high-density polyethylene (HDPE), and aluminum with an adjustable or swivel mouse tray.

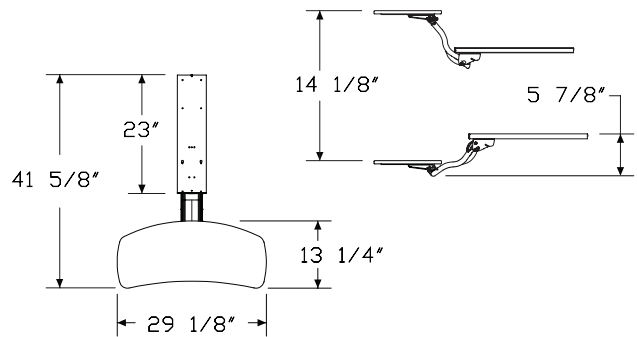
**Notes**

Bottom of work surface cannot have any bracing or obstruction.

**Dimensions**



Platform, Concave with Notched Corners



Platform, Concave

# LX Series Keyboard Solutions

continued

## Specification Information

Step 1.

**Y7724.**

Step 2. Type

<b>A</b>	platform, concave with notched corners
<b>B</b>	platform, concave
<b>E</b>	22" plastic tray with adjustable mouse tray
<b>F</b>	22" plastic tray with swivel mouse tray
<b>G</b>	20" HDPE tray with adjustable mouse tray
<b>H</b>	20" HDPE tray with swivel mouse tray
<b>J</b>	20" aluminum tray with adjustable mouse tray
<b>K</b>	20" aluminum tray with swivel mouse tray
<b>L</b>	27" HDPE tray
<b>M</b>	mini HDPE tray with swivel mouse
<b>N</b>	mini HDPE tray with height adjustable mouse

Step 3. Surface Material

*For platform, concave with notched corners (A) or platform, concave (B)*

<b>L</b>	laminate
<b>T</b>	formcoat®

*For 22" plastic tray with adjustable mouse tray (E), 22" plastic tray with swivel mouse tray (F), 20" HDPE tray with adjustable mouse tray (G), 20" HDPE tray with swivel mouse tray (H), 20" aluminum tray with adjustable mouse tray (J), or 20" aluminum tray with swivel mouse tray (K), skip this step.*

Prices for Steps 1-3.

	L	T	*
<b>Y7724. A</b>	\$434	456	—
<b>B</b>	\$434	456	—
<b>E</b>	—	—	\$508
<b>F</b>	—	—	\$486
<b>G</b>	—	—	\$520
<b>H</b>	—	—	\$497
<b>J</b>	—	—	\$574
<b>K</b>	—	—	\$554
<b>L</b>	—	—	\$529
<b>M</b>	—	—	\$497
<b>N</b>	—	—	\$508

Step 4. Platform Finish

Solid-Color Laminate

*For laminate (L)*

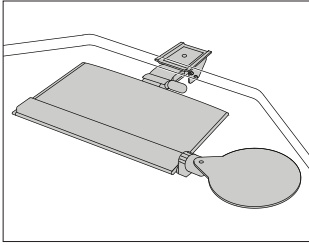
<b>8Q</b>	folkstone grey	+\$0
<b>CL</b>	cool grey neutral	+\$0
<b>LU</b>	soft white	+\$0
<b>WL</b>	sandstone	+\$0
<b>WN</b>	warm grey neutral	+\$0
<b>X1</b>	chalk white	+\$0

Opaque Formcoat®

*For formcoat® (T)*

<b>8Q</b>	folkstone grey	+\$0
<b>BU</b>	black umber	+\$0
<b>CL</b>	cool grey neutral	+\$0
<b>HF</b>	inner tone light	+\$0
<b>LU</b>	soft white	+\$0
<b>WL</b>	sandstone	+\$0
<b>WN</b>	warm grey neutral	+\$0
<b>X1</b>	chalk white	+\$0

Thrive® Technology Support



**Product Information**

**Description**

This keyboard/mouse support attaches to a surface and holds a detached keyboard. It has horizontal, height, and tilt adjustments and swivels for storage beneath the surface. The support's visual indicators provide information on keyboard height and angle. The tray tilts over a 15° range (0° to -15°). The arm extends 10<sup>3</sup>/<sub>8</sub>" and has an 8<sup>3</sup>/<sub>8</sub>" height range. The mouse tray mounts on either side of the platform for right- or left-handed users. The mouse tray on the aluminum tray with mouse tray easily slides to either side of the platform for right- or left-handed users. Attachment hardware is included. Shipped knocked down.

The high-density polyethylene (HDPE) tray with adjustable mouse tray (Y7727.1A) and the aluminum tray with adjustable mouse tray (Y7727.1B) have a 19"-long track and hold a detached keyboard and mouse. The adjustable mouse tray has height, lateral, and tilt adjustability. The black palm rest is washable foam.

The high-density polyethylene (HDPE) tray with swivel mouse tray (Y7727.1G) and the aluminum tray with swivel mouse tray (Y7727.1I) have a 19"-long track and hold a detached keyboard and mouse. The black palm rest is washable foam.

The comfort surface tray with mouse tray (Y7727.2H) has a 21<sup>3</sup>/<sub>4</sub>"-long track and holds a detached keyboard and mouse with mouse holder. It can be used with a standard keyboard or with a Microsoft Natural® ergonomic keyboard. The platform and mouse tray are covered in urethane and include an integral foam palm rest.

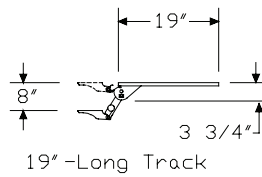
Trays are also available in plastic with an adjustable or swivel mouse tray.

**Notes**

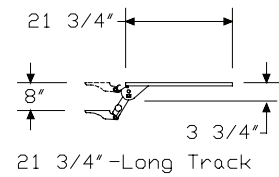
To allow for track installation, bottom of surface cannot have any bracing or obstruction.

Order optional add-on tray (Y7728.) separately.

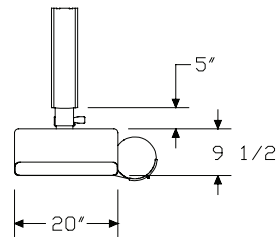
**Dimensions**



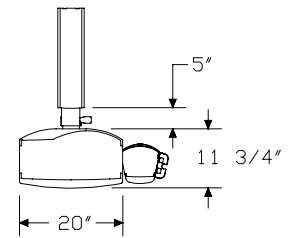
19"-Long Track



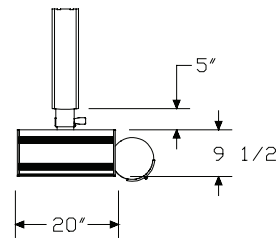
21 3/4"-Long Track



HDPE Tray with Mouse Tray



Comfort Surface Tray with Mouse Tray/House



Aluminum Tray with Mouse Tray

# LT Series Keyboard Solutions

continued

## Specification Information

Step 1.

**Y7727.**

Step 2. Track Length

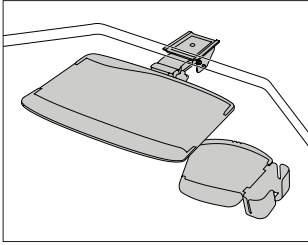
- 1** 19"-long track
- 2** 21<sup>3</sup>/<sub>4</sub>"-long track

Step 3. Type

- A** HDPE tray with adjustable mouse tray
- B** aluminum tray with adjustable mouse tray
- G** HDPE tray with swivel mouse tray
- H** comfort surface tray with mouse tray/house
- J** aluminum tray with swivel mouse tray
- K** 27" HDPE tray
- M** mini HDPE tray with swivel mouse
- N** mini HDPE tray with height adjustable mouse

Prices for Steps 1-3.

	<b>A</b>	<b>B</b>	<b>G</b>	<b>H</b>	<b>J</b>	<b>K</b>		
<b>Y7727. 1</b>	\$428	543	417	427	530	449		
<b>2</b>	\$446	561	434	445	547	465		
							<b>M</b>	<b>N</b>
<b>Y7727. 1</b>					\$417	428		
<b>2</b>					\$434	446		



**Product Information**

**Description**

This support attaches to a surface and holds a detached keyboard. It has horizontal, height, and tilt adjustments and swivels for storage beneath the surface. The tray tilts over a 30° range (-15° to 15°) and has a 17" or 21¾" long track. The arm extends 8½" and has a 6" height range. Attachment hardware is included. Shipped knocked down.

The high-density polyethylene (HDPE) tray with mouse tray (Y7710.A) holds a detached keyboard and mouse. The black palm rest is washable foam.

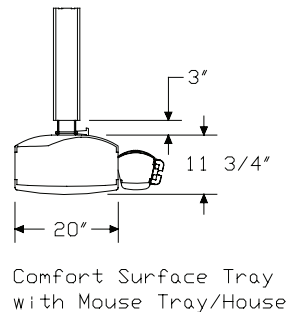
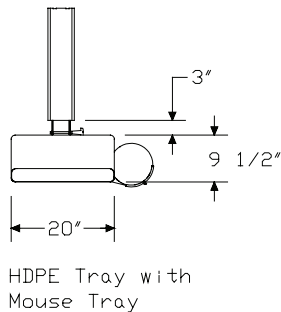
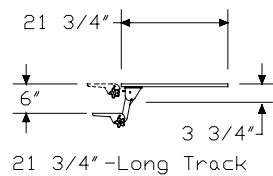
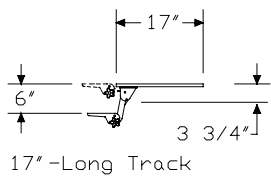
The comfort surface tray with mouse tray (Y7710.B) holds a detached keyboard and mouse with mouse holder. It can be used with a standard keyboard or with a Microsoft Natural® ergonomic keyboard. The tray and mouse tray are covered in urethane and include an integral foam palm rest.

Trays are also available in plastic or aluminum with adjustable or swivel mouse trays.

**Notes**

Order optional add-on tray (Y7728) separately.

**Dimensions**



**Specification Information**

**Step 1.**

**Y7710.**

**Step 2. Track Length**

- 1 17"-long track
- 2 21¾"-long track

**Step 3. Type**

*For 17"-long track (1)*

- A HDPE tray with mouse tray

*For 21¾"-long track (2)*

- A HDPE tray with mouse tray
- B comfort surface tray with mouse tray/house

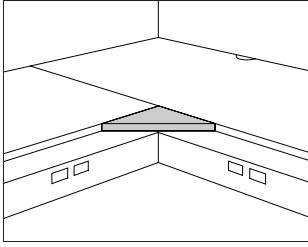
**Prices for Steps 1-3.**

	A	B
<b>Y7710. 1</b>	\$368	—
<b>2</b>	\$368	394



# Squared-Edge Corner Wedge

Y2091.



### Product Information

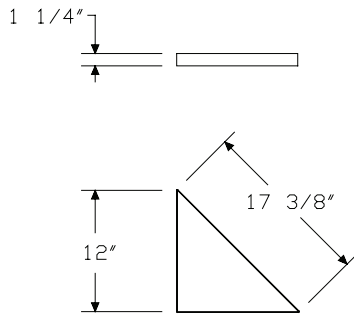
#### Description

This wedge attaches to 2 work surfaces at a 90° angle to provide a corner work surface. It can be used with Action Office®, Canvas, and Ethospace® surfaces. The wedge has a laminate top and thermoplastic edge, laminate top with a thermoplastic backed plywood edge, or a veneer top and edge. Attachment hardware is included.

#### Notes

Corner wedge can support a keyboard tray attached to the underside of the work surfaces in 90° corner applications.

#### Dimensions



### Specification Information

#### Step 1.

**Y2091.**

#### Step 2. Surface Material

- L** laminate top/thermoplastic edge
- U** laminate top/universal edge
- W** veneer A

#### Prices for Steps 1-2.

<b>Y2091. L</b>	\$113
<b>U</b>	\$110
<b>W</b>	\$164

#### Step 3.

#### Top Finish

*For laminate top/thermoplastic edge (L) or laminate top/universal edge (U)*

<b>76</b>	light brown walnut	+\$0
<b>8Q</b>	folkstone grey	+\$0
<b>91</b>	white	+\$0
<b>98</b>	studio white	+\$0
<b>CL</b>	cool grey neutral	+\$0
<b>HF</b>	inner tone light	+\$0
<b>HM</b>	natural maple	+\$0
<b>HP</b>	light anigre	+\$0
<b>HT</b>	inner tone	+\$0
<b>HX</b>	aged cherry	+\$0
<b>HY</b>	walnut on cherry	+\$0
<b>LA</b>	light ash	+\$0
<b>LBA</b>	clear on ash	+\$0
<b>LBR</b>	phantom ecru	+\$0
<b>LBS</b>	phantom cocoa	+\$0
<b>LBU</b>	medium matte walnut	+\$0
<b>LBV</b>	warm grey teak	+\$0
<b>LBB</b>	oak on ash	+\$0
<b>LBC</b>	walnut on ash	+\$0
<b>LBD</b>	dark brown walnut	+\$0
<b>LBE</b>	medium red walnut	+\$0
<b>LBF</b>	neutral twill	+\$0
<b>LBG</b>	sarum twill	+\$0
<b>LBH</b>	earthen twill	+\$0
<b>LBJ</b>	graphite twill	+\$0
<b>LBK</b>	pewter mesh	+\$0
<b>LBL</b>	steel mesh	+\$0
<b>LBM</b>	crisp linen	+\$0

# Squared-Edge Corner Wedge

continued

Thrive® Technology Support

<b>LBN</b>	classic linen	+\$0
<b>LBP</b>	casual linen	+\$0
<b>LBQ</b>	white twill	+\$0
<b>LM</b>	mahogany	+\$0
<b>LT</b>	light tone	+\$0
<b>LU</b>	soft white	+\$0
<b>MT</b>	medium tone	+\$0
<b>WL</b>	sandstone	+\$0
<b>WN</b>	warm grey neutral	+\$0

## Top/Edge Finish: Recut Veneer

For veneer (W)

<b>RA</b>	light ash <span style="border: 1px solid black; padding: 0 2px;">A</span>	+\$0
<b>RK</b>	mahogany dark <span style="border: 1px solid black; padding: 0 2px;">A</span>	+\$0
<b>RM</b>	mahogany <span style="border: 1px solid black; padding: 0 2px;">A</span>	+\$0
<b>XU</b>	cathedral recut medium red cherry <span style="border: 1px solid black; padding: 0 2px;">A</span>	+\$39

## Top/Edge Finish: Wood Veneer

For veneer (W)

<b>2U</b>	light brown walnut <span style="border: 1px solid black; padding: 0 2px;">A</span>	+\$39
<b>40</b>	dark brown walnut <span style="border: 1px solid black; padding: 0 2px;">A</span>	+\$39
<b>ED</b>	aged cherry <span style="border: 1px solid black; padding: 0 2px;">A</span>	+\$39
<b>EK</b>	medium red walnut <span style="border: 1px solid black; padding: 0 2px;">A</span>	+\$39
<b>EW</b>	medium matte walnut <span style="border: 1px solid black; padding: 0 2px;">A</span>	+\$39
<b>ET</b>	clear on ash <span style="border: 1px solid black; padding: 0 2px;">A</span>	+\$39
<b>EU</b>	oak on ash <span style="border: 1px solid black; padding: 0 2px;">A</span>	+\$39
<b>EV</b>	walnut on ash <span style="border: 1px solid black; padding: 0 2px;">A</span>	+\$39
<b>UL</b>	natural maple <span style="border: 1px solid black; padding: 0 2px;">A</span>	+\$39
<b>UX</b>	walnut on cherry <span style="border: 1px solid black; padding: 0 2px;">A</span>	+\$39

## Step 4. Edge Finish

For laminate top/thermoplastic edge (L)

<b>76</b>	light brown walnut	+\$0
<b>8Q</b>	folkstone grey	+\$0
<b>8Z</b>	neutral grey	+\$0
<b>91</b>	white	+\$0
<b>98</b>	studio white	+\$0
<b>BU</b>	black umber	+\$0
<b>CL</b>	cool grey neutral	+\$0
<b>HF</b>	inner tone light	+\$0
<b>HM</b>	natural maple	+\$0
<b>HP</b>	light anigre	+\$0
<b>HT</b>	inner tone	+\$0
<b>HX</b>	aged cherry	+\$0
<b>HY</b>	walnut on cherry	+\$0
<b>JB</b>	millwork cherry	+\$0

<b>LA</b>	light ash	+\$0
<b>LBA</b>	clear on ash	+\$0
<b>LBR</b>	phantom ecru	+\$0
<b>LBS</b>	phantom cocoa	+\$0
<b>LBU</b>	medium matte walnut	+\$0
<b>LBV</b>	warm grey teak	+\$0
<b>LBB</b>	oak on ash	+\$0
<b>LBC</b>	walnut on ash	+\$0
<b>LBD</b>	dark brown walnut	+\$0
<b>LBE</b>	medium red walnut	+\$0
<b>LBF</b>	neutral twill	+\$0
<b>LBG</b>	sarum twill	+\$0
<b>LBH</b>	earthen twill	+\$0
<b>LBJ</b>	graphite twill	+\$0
<b>LBK</b>	pewter mesh	+\$0
<b>LBL</b>	steel mesh	+\$0
<b>LBM</b>	crisp linen	+\$0
<b>LBN</b>	classic linen	+\$0
<b>LBP</b>	casual linen	+\$0
<b>LBQ</b>	white twill	+\$0
<b>LU</b>	soft white	+\$0
<b>MT</b>	medium tone	+\$0
<b>WL</b>	sandstone	+\$0
<b>WN</b>	warm grey neutral	+\$0

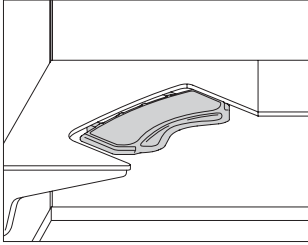
For laminate top/universal edge (U)

<b>PLY</b>	plywood edge	+\$50
------------	--------------	-------

# Flex-Edge™ Input Platform

Y7735.

Thrive® Technology Support



### Product Information

#### Description

This adjustable platform attaches to a corner work surface with an input platform cutout. The platform has a laminate top. A flexible waterfall front edge supports the user's arms during input and writing tasks, and flexible edges at each side provide protection from pinching between the platform and the adjacent work surface when adjusting the height. A curbed edge keeps items from rolling off the back and side edges. The height is adjusted with a paddle under the right side of the platform. The pneumatic assist mechanism allows the user to freely adjust the platform vertically. The platform also tilts 15° forward and 15° backward, using a knob on the right side. Attachment hardware is included.

#### Notes

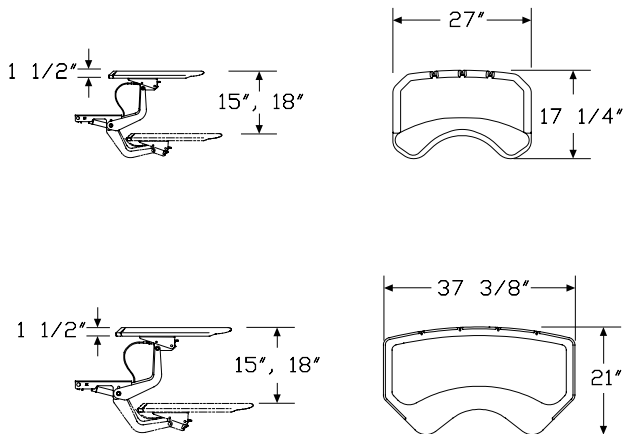
Order corner work surface with input platform cutout (A2336., EWS24., or FTS24.) separately.

Storage products, keyboard tray, and accessories cannot attach to platform.

The 15" of height adjustment range (15) allows platform adjustment from 8" below to 7" above the rear work surface.

The 18" of height adjustment range (18) allows platform adjustment from 6" below to 12½" above the rear work surface.

### Dimensions



### Specification Information

#### Step 1.

**Y7735.** [A]

#### Step 2. Flex edge width

**27** 27" wide [A]

**37** 37" wide [A]

#### Prices for Steps 1-2.

<b>Y7735. 27</b>	\$1281
<b>37</b>	\$1389

#### Step 3. Height Adjustment

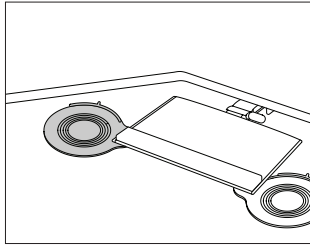
<b>15</b>	15" of height adjustment [A]	+\$0
-----------	------------------------------	------

<b>18</b>	18" of height adjustment [A]	+\$120
-----------	------------------------------	--------

Step 4. Top Finish		
<b>LBM</b>	crisp linen <input type="checkbox"/>	+\$0
<b>LBN</b>	classic linen <input type="checkbox"/>	+\$0
<b>LBP</b>	casual linen <input type="checkbox"/>	+\$0
<b>LBK</b>	pewter mesh <input type="checkbox"/>	+\$0
<b>LBL</b>	steel mesh <input type="checkbox"/>	+\$0
<b>8Q</b>	folkstone grey <input type="checkbox"/>	+\$0
<b>91</b>	white <input type="checkbox"/>	+\$0
<b>98</b>	studio white <input type="checkbox"/>	+\$0
<b>CL</b>	cool grey neutral <input type="checkbox"/>	+\$0
<b>HF</b>	inner tone light <input type="checkbox"/>	+\$0
<b>HT</b>	inner tone <input type="checkbox"/>	+\$0
<b>LU</b>	soft white <input type="checkbox"/>	+\$0
<b>WL</b>	sandstone <input type="checkbox"/>	+\$0
<b>WN</b>	warm grey neutral <input type="checkbox"/>	+\$0
<b>LBF</b>	neutral twill <input type="checkbox"/>	+\$0
<b>LBG</b>	sarum twill <input type="checkbox"/>	+\$0
<b>LBH</b>	earthen twill <input type="checkbox"/>	+\$0
<b>LBJ</b>	graphite twill <input type="checkbox"/>	+\$0
<b>LBQ</b>	white twill <input type="checkbox"/>	+\$0
<b>76</b>	light brown walnut <input type="checkbox"/>	+\$0
<b>HM</b>	natural maple <input type="checkbox"/>	+\$0
<b>HP</b>	light anigre <input type="checkbox"/>	+\$0
<b>HX</b>	aged cherry <input type="checkbox"/>	+\$0
<b>HY</b>	walnut on cherry <input type="checkbox"/>	+\$0
<b>LA</b>	light ash <input type="checkbox"/>	+\$0
<b>LBC</b>	walnut on ash <input type="checkbox"/>	+\$0
<b>LBD</b>	dark brown walnut <input type="checkbox"/>	+\$0
<b>LBE</b>	medium red walnut <input type="checkbox"/>	+\$0
<b>LM</b>	mahogany <input type="checkbox"/>	+\$0
<b>28</b>	canyon <input type="checkbox"/>	+\$0
<b>29</b>	misted <input type="checkbox"/>	+\$0
<b>38</b>	twilight <input type="checkbox"/>	+\$0
<b>39</b>	desert <input type="checkbox"/>	+\$0
Step 5. Edge Finish		
<b>BU</b>	black umber <input type="checkbox"/>	+\$0

# Add-On Tray

Y7728.

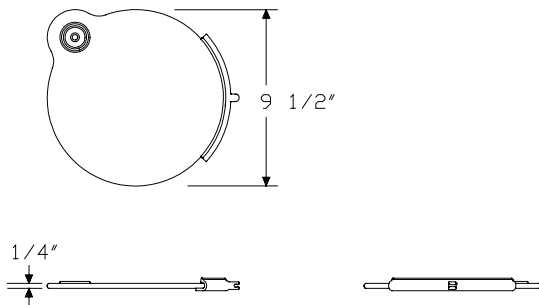


## Product Information

### Description

This black plastic tray attaches to a keyboard tray and holds a mouse, other input device, or C2® Climate Control. The tray has a mouse fence which can be used for left or right mousing applications and prevents the mouse from sliding off the surface when the keyboard is in a negative tilt. It also has a built-in cord manager. The tray swivels for storage beneath the keyboard and can be installed on the left or right side. Attachment hardware is included.

### Dimensions



## Specification Information

### Step 1.

**Y7728.**

### Step 2. Usage

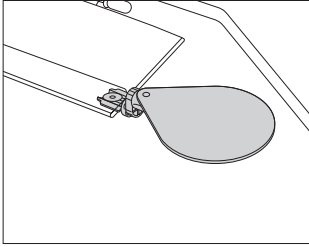
- A** for HDPE keyboard tray
- B** for comfort surface keyboard tray
- C** for aluminum keyboard tray

### Prices for Steps 1-2.

<b>Y7728. A</b>	\$68
<b>B</b>	\$68
<b>C</b>	\$68

# Adjustable Mouse Tray

Y7729.



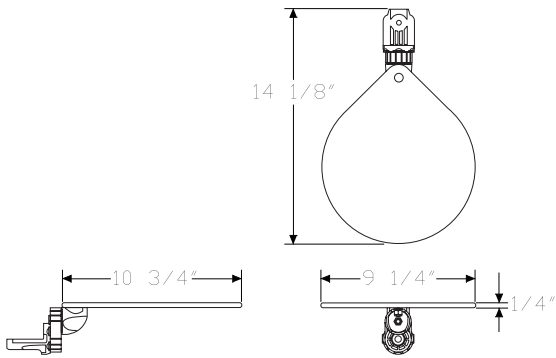
Thrive® Technology Support

## Product Information

### Description

The adjustable mouse tray attaches to a keyboard tray and holds a mouse or other input device. The adjustable mouse tray has a mouse fence which prevents the mouse from sliding off the surface when the keyboard tray has a negative tilt. The adjustable mouse tray can be adjusted to 6 different positions allowing the mouse tray to be raised above the keyboard tray as well as on the same plane as the keyboard tray. A built in cord manager and attachment hardware are included.

### Dimensions



## Specification Information

### Step 1.

**Y7729.**

### Step 2. Type

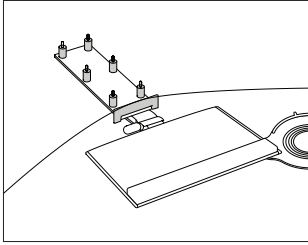
- A** for HDPE keyboard tray
- C** for aluminum keyboard tray

### Prices for Steps 1-2.

<b>Y7729. A</b>	\$107
<b>C</b>	\$107

# Keyboard Track Adapter

Y7793.



## Product Information

### Description

This adapter kit allows a keyboard track to be mounted to the underside of a surface where obstructions would prevent the track from being attached directly to the surface. It lowers the keyboard track by the measurement identified within the specification.

### Notes

For use with My Studio Environments™ surfaces, specify 1 1/8" (NT) adapter height.

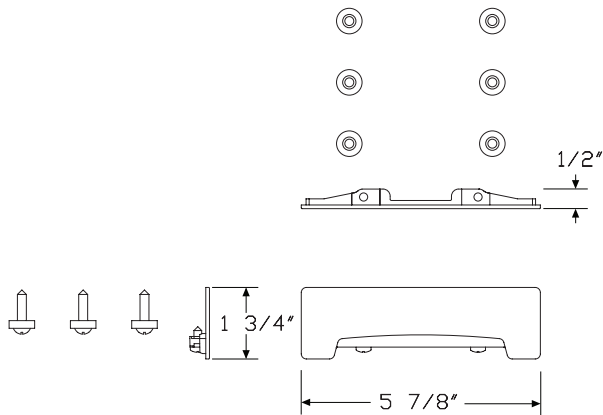
For use with surfaces that have standard stiffeners or reinforcement channels, specify 1 1/4" (B) adapter height.

For use with Layout Studio® surfaces, specify 2" (D) adapter height.

Order keyboard support separately:

- LE series keyboard solution (Y7710.)
- LS series keyboard solution (Y7737.)
- LT series keyboard solution (Y7727.)
- LX series keyboard solution (Y7724.)

## Dimensions



## Specification Information

### Step 1.

**Y7793.**

### Step 2. Height

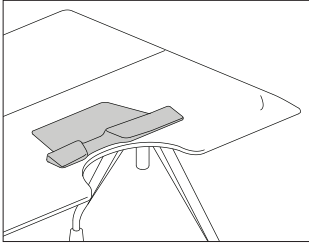
- NT** 1 1/8" high
- B** 1 1/4" high
- D** 2" high

### Prices for Steps 1-2.

<b>Y7793. NT</b>	\$40
<b>B</b>	\$42
<b>D</b>	\$46

# Freestanding Palm Rest

Y7751.



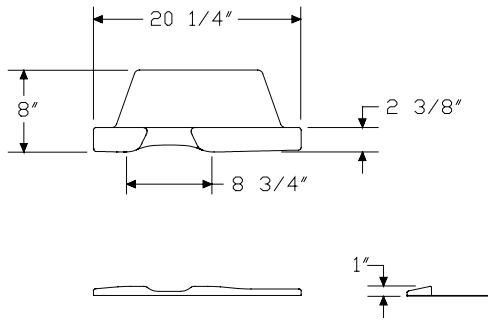
Thrive® Technology Support

## Product Information

### Description

This foam palm rest is designed to provide palm support along the front edge of a keyboard. It has an integrated flat base that fits beneath the keyboard to keep it in position. The palm rest is 20 1/4" wide. Finish is black.

### Dimensions



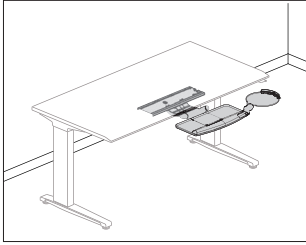
## Specification Information

### Step 1.

Y7751.

\$72





**Product Information**

**Description**

The TL series of keyboard solutions feature an innovative, slim profile mechanism and platforms that accommodate virtually any application. The TL mechanism requires just 10" of space to install, allowing it to be used in applications where stiffeners would typically prevent mounting. It mounts with an optional track or directly to the underside of the surface. The track mounts along the width of the surface instead of the depth. The mechanism folds back on itself, making it compatible with many Renew™ tables.

**Notes**

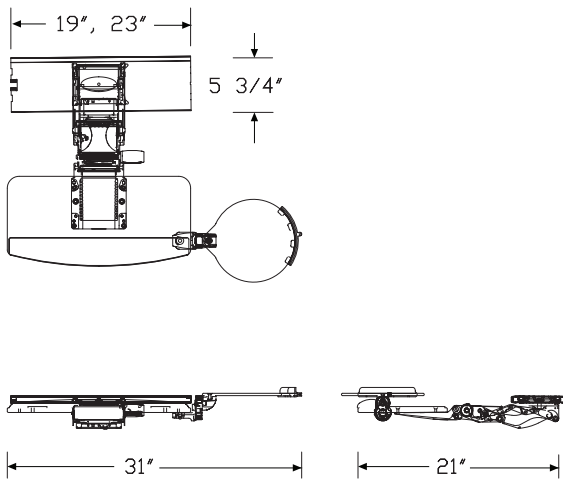
For more adjustability, specify 19"-long (2) or 23"-long (4) track.

Mounted track will be oriented along the width of the surface.

White keyboard mechanism only allows aluminum and white trays to be used.

When specifying keyboard with track, track color is black for all mechanism colors.

**Dimensions**



**Specification Information**

**Step 1.**

**Y7741.** [A]

**Step 2. Track Length**

- 0** no track [A]
- 2** 19"-long track [A]
- 4** 23"-long track [A]

**Step 3. Keyboard Platform**

- A** 20" HDPE tray with adjustable mouse tray [A]
- B** 20" aluminum tray with adjustable mouse tray [A]
- G** 20" HDPE tray with swivel mouse tray [A]
- J** 20" aluminum tray with swivel mouse tray [A]
- K** 27" HDPE tray [A]
- M** mini HDPE tray with swivel mouse [A]
- N** mini HDPE tray with height adjustable mouse [A]
- P** white phenolic tray with swivel mouse tray [A]
- Q** white phenolic tray with adjustable mouse tray [A]

**Prices for Steps 1-3.**

	<b>A</b>	<b>B</b>	<b>G</b>	<b>J</b>	<b>K</b>	<b>M</b>		<b>N</b>	<b>P</b>	<b>Q</b>
<b>Y7741. 0</b>	\$391	435	370	424	401	370				
<b>2</b>	\$422	466	401	456	433	401				
<b>4</b>	\$448	492	426	482	458	426				
<b>Y7741. 0</b>				\$391	391	407				
<b>2</b>				\$422	422	438				
<b>4</b>				\$448	448	463				

**Step 4. Keyboard Mechanism Color**

For 20" HDPE tray with adjustable mouse tray (A), 20" HDPE tray with swivel mouse tray (G), 27" HDPE tray (K), mini HDPE tray with swivel mouse (M), or mini HDPE tray with height adjustable mouse (N)

**0H** black [A] +\$0

For 20" aluminum tray with adjustable mouse tray (B) or 20" aluminum tray with swivel mouse tray (J)

**0H** black [A] +\$0

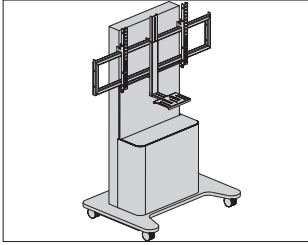
**0J** white [A] +\$0

For white phenolic tray with swivel mouse tray (P) or white phenolic tray with adjustable mouse tray (Q)

**0J** white [A] +\$0

# AV/VC One Technology Support Kit Y96111

Thrive® Technology Support



## Product Information

### Description

The AV/VC One technology support kit provides all the equipment to support A/V and video conferencing needs for single or dual screens. It features lockable casters to facilitate easy movement from one location to another. Kit includes a universal camera mount that can be mounted above or below the screen(s), a universal codec mount supporting video conferencing from most manufacturers, and 1 or 2 screen mounting brackets. Ships knocked down.

### Notes

Maximum load capacity for single screen kit is 132 pounds. Maximum load capacity for dual screen kit is 264 pounds.

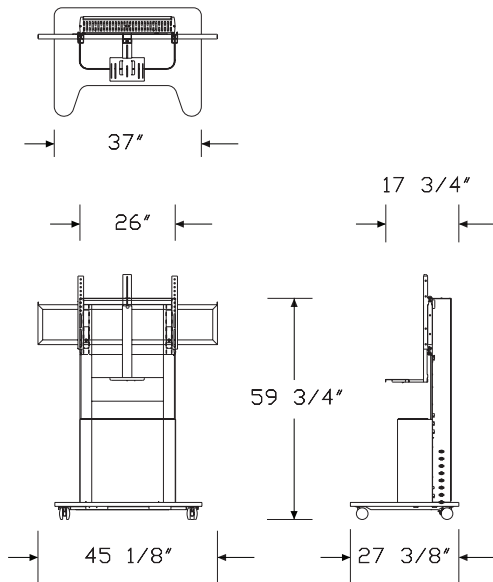
Single screen kit supports screen formats from 55" to 80".

Dual screen kit supports screen formats from 55" to 65".

Order the AV/VC One shelf (Y96005.) separately.

This product was designed by Colebrook Bosson Saunders Products Ltd.

## Dimensions



## Specification Information

### Step 1.

**Y96111.** A

### Step 2. Screen Integration

**1** one screen set-up A

**2** two screen set-up A

### Step 3. Front Type

**A** full front panel A

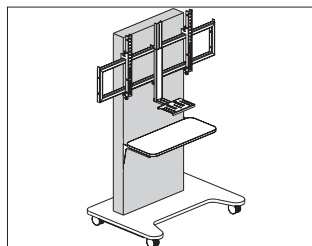
**B** front technology box and panel A

### Prices for Steps 1-3.

	A	B
<b>Y96111. 1</b>	\$3280	3698
<b>2</b>	\$3682	4100

### Step 4. Finish

**0H** black A + \$0



**Product Information**

**Description**

This kit is the vertical column used to support screens. It features a lockable back panel for security and easy access, and includes 1 camera and codec mount. It has a ventilated back and top to allow for airflow within the unit. The column offers easy hook-on features to permit quick and easy mounting of core parts and accessories. Column supports up to 132 pounds when mounting a single screen, and up to 264 pounds for a dual screen configuration.

**Notes**

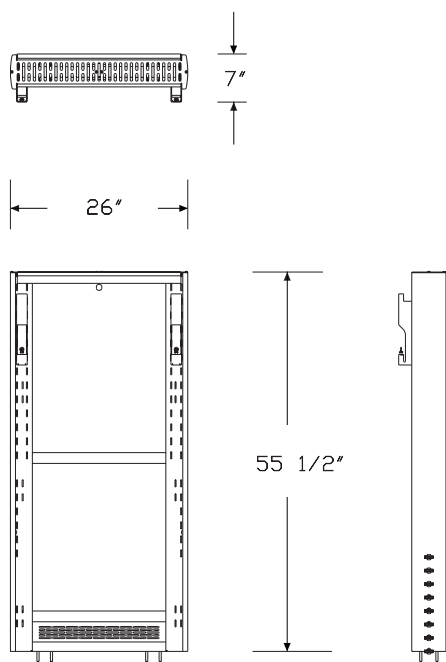
Order the following products separately, as needed:

- AV/VC One front box kit (Y96003.) or full front panel (Y96004.)
- AV/VC One base (Y96001.)
- AV/VC One screen mount kit (Y96002.)
- AV/VC One shelf (Y96005.)

This column is used in the AV/VC One technology support kit (Y96111.).

This product was designed by Colebrook Bosson Saunders Products Ltd.

**Dimensions**



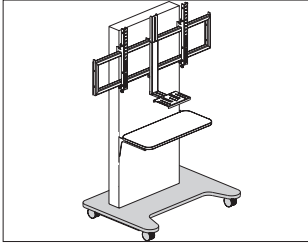
**Specification Information**

**Step 1.**

**Y96000.** A \$1946

**Step 2. Finish**

**OH** black A +\$0



**Product Information**

**Description**

The AV/VC One base features lockable casters and a cutout in front to allow users to interact with the screen. The AV/VC One column kit and column kit in the AV/VC One technology support kit attach to the base to support the screens.

**Notes**

Order the following products separately, as needed:

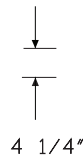
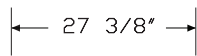
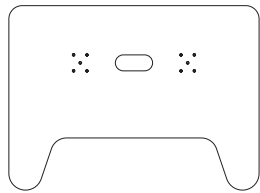
- AV/VC One column kit (Y96000.)
- AV/VC One technology support kit (Y96111.)

Base includes cable management hole.

This column is used in the AV/VC One technology support kit (Y96111.)

This product was designed by Colebrook Bosson Saunders Products Ltd.

**Dimensions**



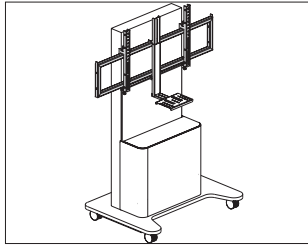
**Specification Information**

**Step 1.**

**Y96001.** [A] \$700

**Step 2. Finish**

**0H** black [A] +\$0



**Product Information**

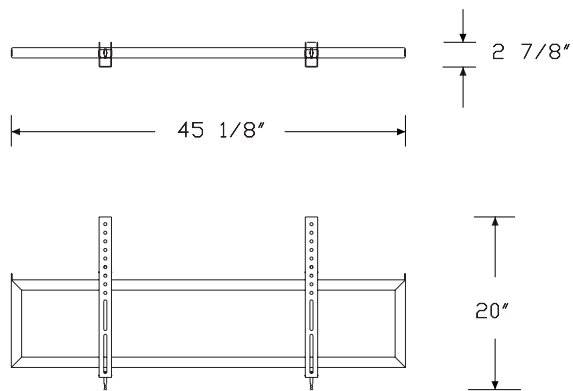
**Description**

The AV/VC One screen mount kit provides the bracket to mount a screen to the AV/VC One column kit and column kit in the AV/VC One technology support kit.

**Notes**

- Kit supports single screen formats from 55" to 80".
- Kit supports dual screen formats from 55" to 75". Requires 2 screen mount kits.
- Fine height adjustment for perfect dual screen alignment.
- Screen mounts lock into position for safety.
- This column is used in the AV/VC One technology support kit (Y96111.), ordered separately.
- This product was designed by Colebrook Bosson Saunders Products Ltd.

**Dimensions**



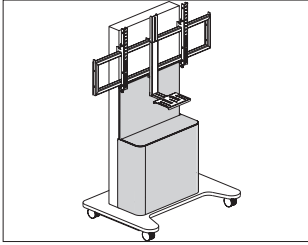
**Specification Information**

**Step 1.**

**Y96002.** A \$402

**Step 2. Finish**

**OH** black A +\$0



**Product Information**

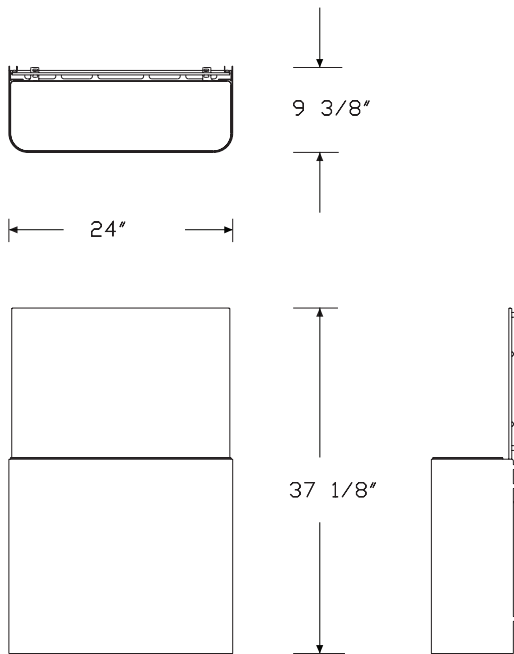
**Description**

The AV/VC One front box kit provides a place to store rack-mounted equipment. It mounts to the AV/VC One column kit and column kit in the AV/VC One technology support kit. Front box kit supports 44 pounds and features easy hook-on mounting.

**Notes**

- Box houses 19" rack mount media equipment with 5U capacity.
- Box permits top mount access to install and access rack equipment.
- Box has perforated floor to allow adequate ventilation through the box.
- Removable lid includes optional security fixings.
- Front panel included.
- This front box kit or the full front panel (Y96004.) is used in the AV/VC One technology support kit (Y96111.), ordered separately.
- This product was designed by Colebrook Bosson Saunders Products Ltd.

**Dimensions**



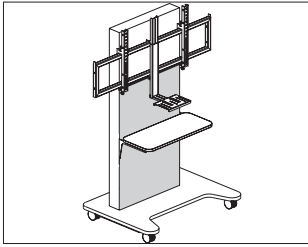
**Specification Information**

**Step 1.**

**Y96003.** [A] \$650

**Step 2. Finish**

**0H** black [A] +\$0



**Product Information**

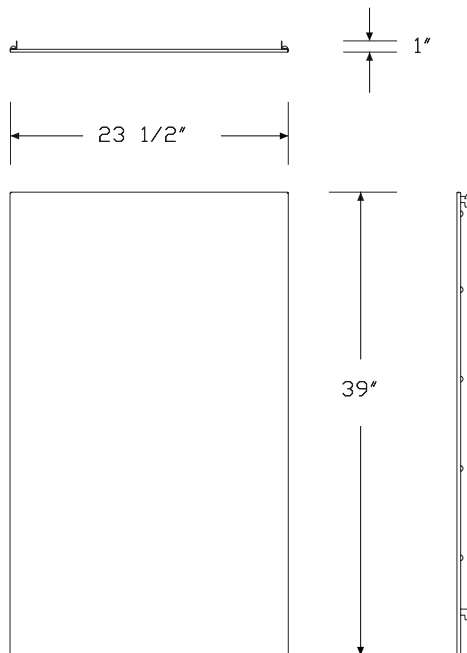
**Description**

The AV/VC One full front panel mounts to the AV/VC One column kit and column kit in the AV/VC One technology support kit when the front box kit is not used. Full front panel features easy hook-on mounting.

**Notes**

This full front panel or the front box kit (Y96003.) is used in the AV/VC One technology support kit (Y96111.), ordered separately.  
 This product was designed by Colebrook Bosson Saunders Products Ltd.

**Dimensions**



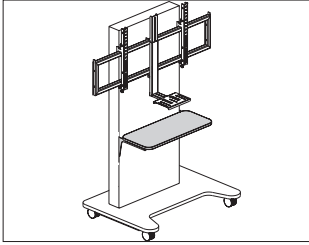
**Specification Information**

**Step 1.**

**Y96004.** A \$232

**Step 2. Finish**

**OH** black A +\$0



**Product Information**

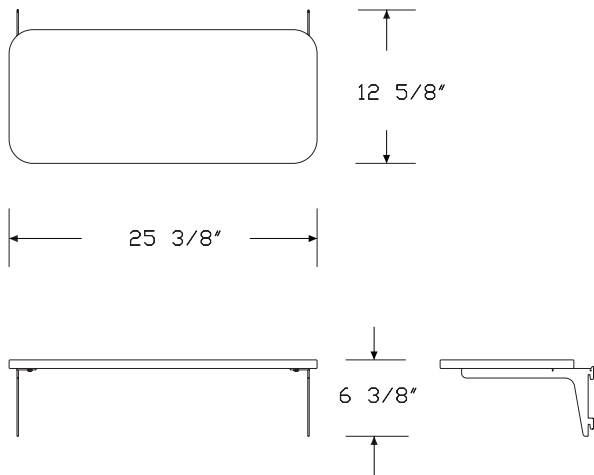
**Description**

The AV/VC One shelf mounts to the AV/VC One column kit and column kit in the AV/VC One technology support kit. It features easy hook-on mounting at a range of heights. Shelf supports laptops, screen drivers, or a VC camera. It can be retrofitted after installation.

**Notes**

Shelf supports up to 55 pounds.  
 This product was designed by Colebrook Bosson Saunders Products Ltd.

**Dimensions**



**Specification Information**

**Step 1.**

**Y96005.** [A] \$375

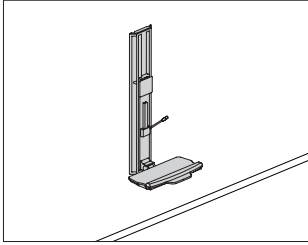
**Step 2. Finish**

**0H** black [A] +\$0



FX40 Compact Wall-Mount  
Technology Support

Y94004



**Product Information**

**Description**

This compact wall-mounted technology support is ideal for healthcare or education applications where space is at a premium. This solution provides counterbalanced adjustment through a 12" vertical range and stores within 4" from the wall. The innovated self-storing keyboard surface folds neatly against the track when not in use, and attaches to a 40" wall track. Can be mounted to Compass wall tiles. CPU supports must be wall mounted when used with FX40. Hardware is included.

**Notes**

All painted surfaces are finished with anti-microbial powder coat paint to support infectious control policies.

OSHDP and Engineer certified.

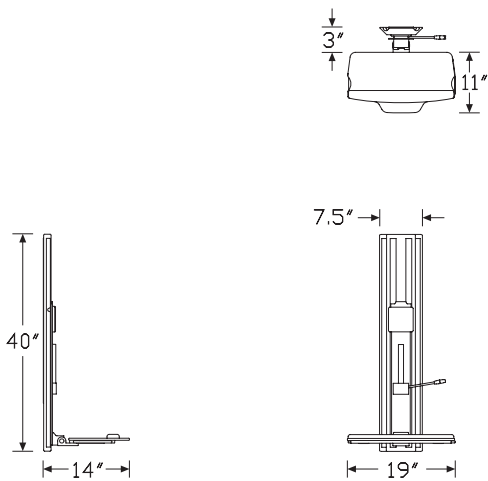
Supports 75mm and 100mm VESA patterns.

Fasteners provided for virtually all applications except masonry surfaces.

CPU supports sold separately:

- Track Mount Small Cradle CPU Support (Y94100.)
- Track Mount CPU Enclosure (Y94102.)

**Dimensions**



**Specification Information**

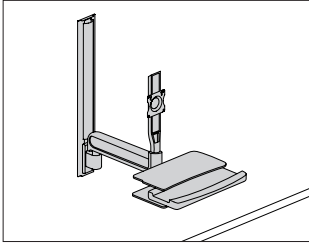
**Step 1.**

Y94004. A

\$2348

# Mbrace Wall-Mounted Technology Y94015

Thrive® Technology Support



## Product Information

### Description

This wall-mounted technology combo arm allows the keyboard and monitor to effortlessly move together as a single unit, and mounts to either a 34" wall track. This solution can support up to 20 pounds and be adjusted with one hand through 22" of vertical adjustment and 9½" of independent, knob-free monitor adjustment. The monitor float tower and keyboard tray can rotate independently of each other. This solution can also store in as little as 10" of space and can be installed on Compass™ wall tiles and directly to drywall. Rotation limiter and cable management included.

### Notes

All painted surfaces are finished with anti-microbial powder coat paint to support infectious control policies.

OSHDP and Engineer certified.

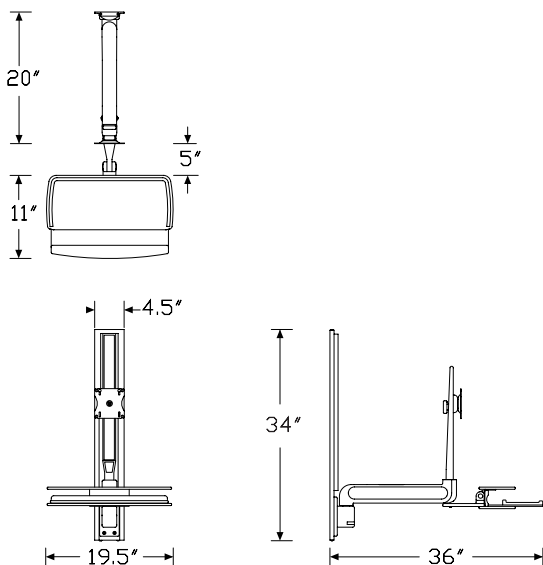
Supports 75mm and 100mm VESA patterns.

Fasteners provided for virtually all applications except masonry surfaces.

Additional accessories sold separately:

- Track Mount Small Cradle CPU Support (Y94100.)
- Track Mount CPU Enclosure (Y94102.)

## Dimensions



## Specification Information

### Step 1.

**Y94015.** A

### Step 2. Track Length

**34** 34" long A

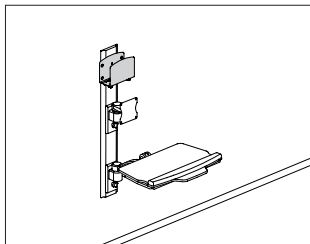
### Prices for Steps 1-2.

**Y94015. 34** \$1938

### Step 3. Arm Finish

**0J** white A + \$0

# Track Mount Small Cradle CPU Support Y94100



## Product Information

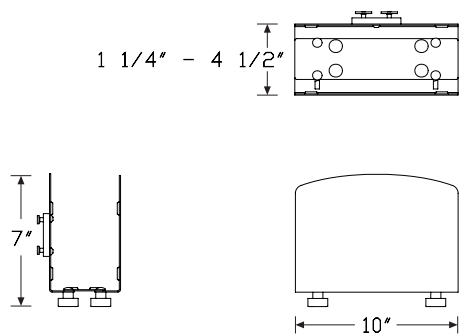
### Description

This track mount CPU cradle is adjustable from 1 1/4" to 4 1/2" wide and can mount to HD, LD and Mbrace wall tracks.

### Notes

Wall mount hardware included.

### Dimensions



## Specification Information

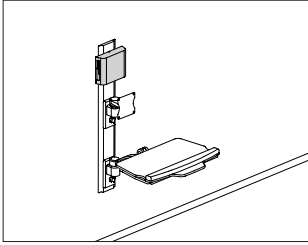
### Step 1.

**Y94100.**  A \$290

### Step 2. Finish

**0I** silver  A +\$0

**0J** white  A +\$0



Thrive® Technology Support

**Product Information**

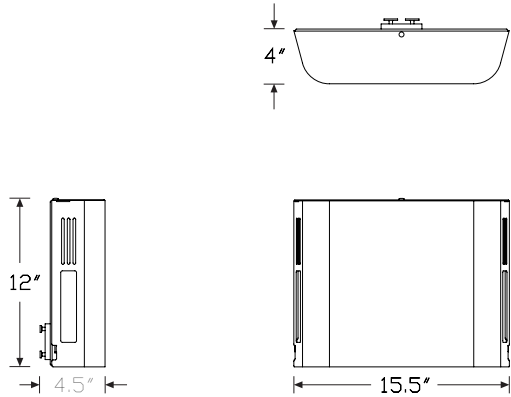
**Description**

This track mount CPU enclosure measures 14" wide by 11" tall and 5" deep, and is designed to prevent tampering with cables and connections. The steel enclosure provides ventilation.

**Notes**

Mounts directly to the wall or 32", 34", or 48" wall tracks.  
Wall mount hardware included.

**Dimensions**



**Specification Information**

**Step 1.**

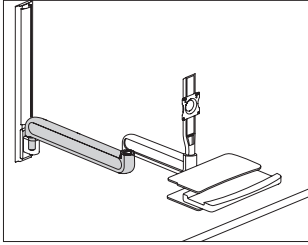
**Y94102.** A \$506

**Step 2. Finish**

**0I** silver A +\$0  
**0J** white A +\$0

# Mbrace Extension Arm

Y94105



### Product Information

#### Description

This extension arm adds 20" of horizontal movement. It can be retrofitted in the field.

#### Notes

All painted surfaces are finished with anti-microbial powder coat paint to support infectious control policies.

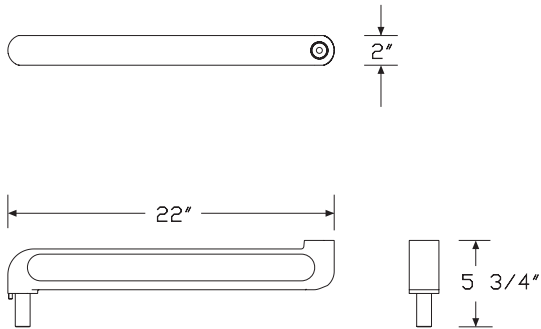
Engineer certified.

Supports 75mm and 100mm VESA patterns.

Extension arm can be used with the following products:

- Mbrace wall-mounted technology (Y94015.)

### Dimensions



### Specification Information

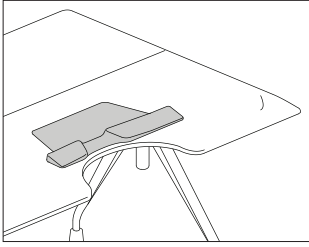
Step 1.

Y94105. A

\$372

# Freestanding Palm Rest

Y7751.



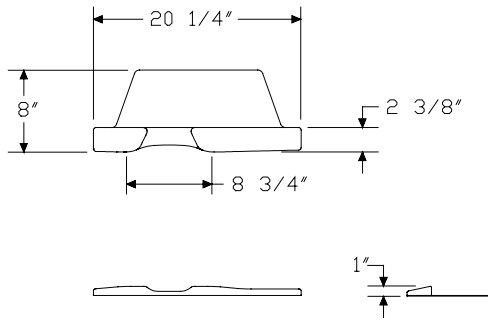
Thrive® Technology Support

### Product Information

#### Description

This foam palm rest is designed to provide palm support along the front edge of a keyboard. It has an integrated flat base that fits beneath the keyboard to keep it in position. The palm rest is 20 1/4" wide. Finish is black.

#### Dimensions

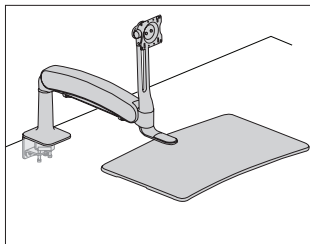


### Specification Information

#### Step 1.

Y7751.

\$72



**Product Information**

**Description**

This sit-stand workstation allows users to easily transform an existing fixed height work surface into a sit-stand workstation. It uses a gas-assist counterbalanced arm to raise and lower the single surface workstation through 18½" of height adjustment with smoothness and stability. The work surface can be moved to the side when not in use. Grommet and clamp mount hardware included.

**Notes**

Silver (o) and black (oh) finishes come with black platform.

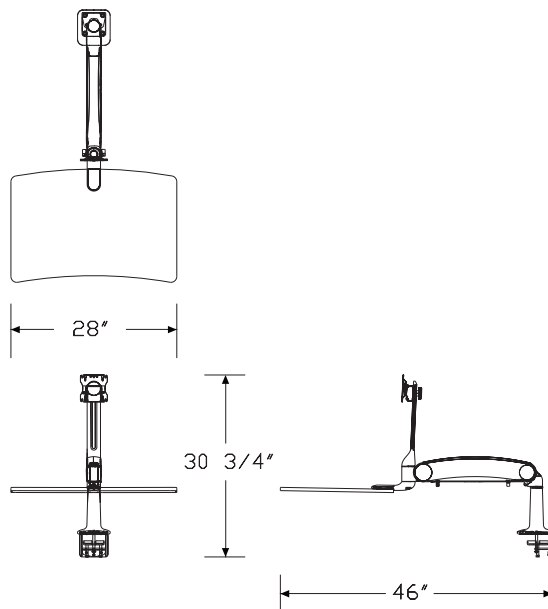
Single monitor configuration (1) supports monitors ranging from 6½ pounds to 24½ pounds.

Dual monitor configuration (2) supports 2 monitors ranging from 1½ pounds to 9½ pounds each, and up to 24" wide each.

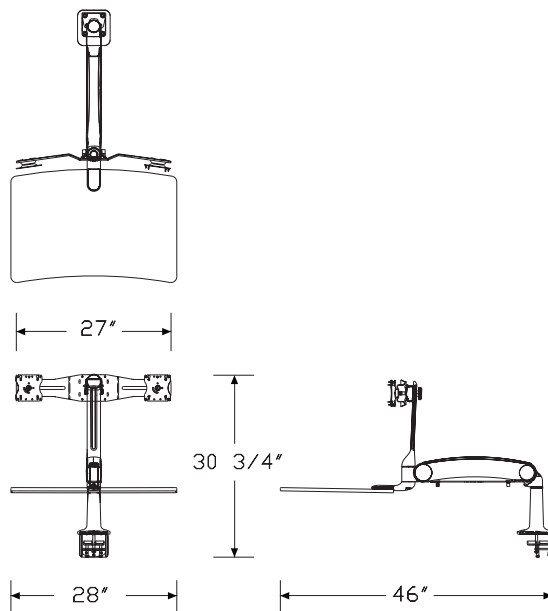
Dual monitor configuration (2) includes single monitor configuration (1) and the Altissimo crossbar (Y7805).

To convert an existing single-monitor product to a dual-monitor configuration, order Altissimo crossbar (Y7805.) separately.

**Dimensions**



Single Monitor



Dual Monitor

**Specification Information**

Step 1.

**Y7800.**  A

Step 2. Monitor Configuration

**1** single  A

**2** dual  A

Prices for Steps 1-2.

<b>Y7800. 1</b>	\$938
<b>2</b>	\$1091

Step 3. Finish

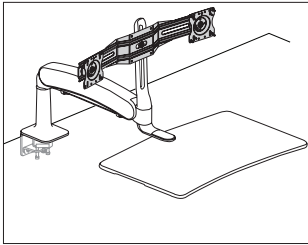
**0H** black  A +\$0

**0I** silver  A +\$0



# Altissimo Crossbar

Y7805.



## Product Information

### Description

This crossbar converts any product in the Altissimo family from a single to a dual configuration. The crossbar supports monitors up to 24" wide and can be retrofitted in the field.

### Notes

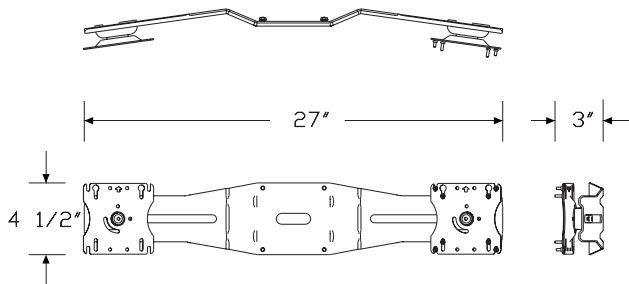
Crossbar weighs 5 pounds.

Altissimo crossbar is compatible with Altissimo Prime (Y7800.), ordered separately.

Crossbar supports 2 monitors up to 24" wide each.

Crossbar can be added to an Altissimo Prime (Y7800.) in the field to convert a single to a dual configuration.

## Dimensions



## Specification Information

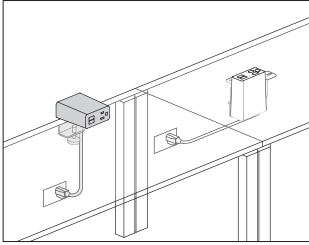
### Step 1.

**Y7805.**  A \$153

### Step 2. Finish

**OH** black  A +\$0

**OI** silver  A +\$0



Thrive® Power and Data Support

**Product Information**

**Description**

This electrical distributor plugs directly into floor, wall, or ceiling drop outlets. Each module configuration presents the same visual appearance. Cable clips and attachment hardware included. Product is UL listed.

**Notes**

Cable clips for cord management are intended for a 1-time installation.

Clamp versions can be reoriented in the field by a technician.

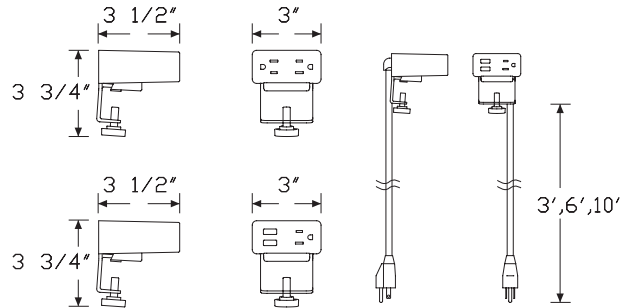
A small LED light illuminates through the USB ports when the USB version is plugged in and powered.

USB ports provide 10-watt power to charge most devices and tablets at full speed.

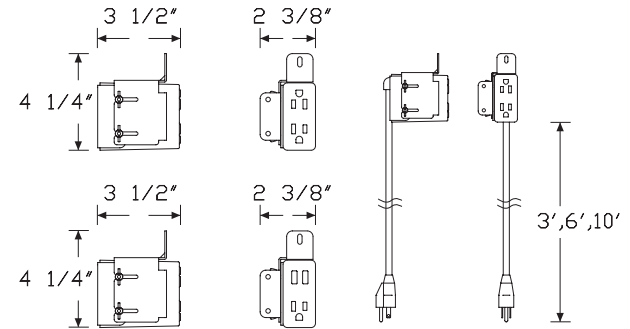
Cord color is predetermined. For white (G1) finish cords will be white. For graphite (G1) finish cords will be black.

Grommet mount attachment (Y1414.xxxG) does not come with the mini grommet. Order Logic mini grommet (Y1412.) separately, as needed.

**Dimensions**



Surface Clamp



Grommet Mount

**Specification Information**

Step 1.

**Y1414.**  A

Step 2. Configuration

**J** 1 simplex receptacles, 2 powered USB  A

**K** 2 simplex receptacles  A

Step 3. Cord/Conduit Length

**03** 3' cord/conduit  A

**06** 6' cord/conduit  A

**10** 10' cord/conduit  A

Step 4. Attachment

**G** grommet mount  A

**S** surface clamp  A

Prices for Steps 1-4.

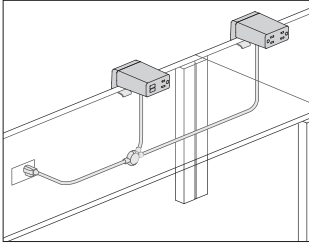
		<b>G</b>	<b>S</b>
<b>Y1414. J</b>	<b>03</b>	\$342	342
	<b>06</b>	\$342	342
	<b>10</b>	\$352	352
	<b>K 03</b>	\$191	191
	<b>06</b>	\$191	191
	<b>10</b>	\$201	201

Step 5. Finish

**91** white  A + \$0

**98** studio white  A + \$0

**G1** graphite  A + \$0



Thrive® Power and Data Support

**Product Information**

**Description**

This electrical distributor plugs directly into floor, wall, or ceiling drop outlets. Each module configuration presents the same visual appearance. Cable clips and attachment hardware included. Product is ETL listed to UL962.

**Notes**

Cable clips for cord management are intended for a 1-time installation.

Clamp versions can be reoriented in the field by a technician.

Jumper length denotes distance between center points of each split point.

Cord length denotes distance from plug end to first split point.

All branch lengths from main power cord to module are 12".

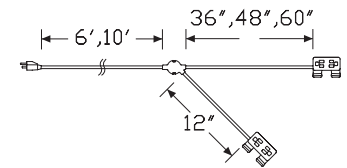
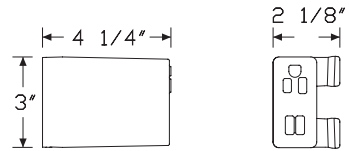
A small LED light illuminates through the USB ports when the USB version is plugged in and powered.

USB ports provide 10-watt power to charge most devices and tablets at full speed.

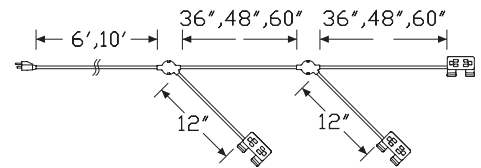
The cord head contains a circuit breaker when there are more than 3 simplex receptacles.

Grommet mount attachment (Y1415.xxxG) does not come with the mini grommet. Order Logic mini grommet (Y1412.) separately, as needed.

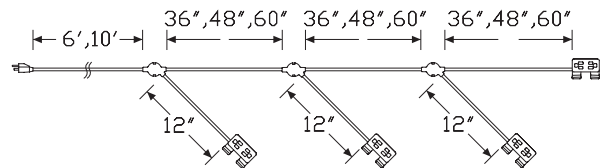
**Dimensions**



Two Power Modules



Three Power Modules



Four Power Modules

**Specification Information**

Step 1.

**Y1415.**  A

Step 2. Number of Modules

- 2** two power modules  A
- 3** three power modules  A
- 4** four power modules  A

Step 3. Power Type

- J** 1 simplex receptacles, 2 powered USB, all modules  A
- K** 2 simplex receptacles, all modules  A
- L** first module has 1 AC plus 2 powered USB all other modules have all AC simplex  A

Step 4. Jumper Length

- 36** 36" between split points  A
- 48** 48" between split points  A
- 60** 60" between split points  A

Step 5. Attachment

- G** grommet mount  A
- S** surface clamp  A

Step 6. Cord/Conduit Length

- 06** 6' cord/conduit  A
- 10** 10' cord/conduit  A

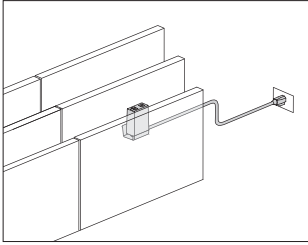
Prices for Steps 1-6.

		36G06	36G10	36S06	36S10	48G06	48G10
<b>Y1415. 2</b>	<b>J</b>	\$758	768	758	768	766	777
	<b>K</b>	\$454	465	454	465	462	473
	<b>L</b>	\$606	617	606	617	615	625
<b>3</b>	<b>J</b>	\$1129	1139	1129	1139	1145	1156
	<b>K</b>	\$689	700	689	700	707	717
	<b>L</b>	\$842	852	842	852	858	869
<b>4</b>	<b>J</b>	\$1533	1544	1533	1544	1558	1569
	<b>K</b>	\$925	935	925	935	951	961
	<b>L</b>	\$1077	1088	1077	1088	1102	1112
		48S06	48S10	60G06	60G10	60S06	60S10
<b>Y1415. 2</b>	<b>J</b>	\$766	777	775	786	775	786
	<b>K</b>	\$462	473	471	481	471	481
	<b>L</b>	\$615	625	623	633	623	633
<b>3</b>	<b>J</b>	\$1145	1156	1163	1173	1163	1173
	<b>K</b>	\$707	717	723	733	723	733
	<b>L</b>	\$858	869	876	886	876	886

<b>4 J</b>	\$1558	1569	1594	1605	1594	1605
<b>K</b>	\$951	961	975	986	975	986
<b>L</b>	\$1102	1112	1128	1138	1128	1138

Step 7. Finish

- 91** white  A +\$0
- 98** studio white  A +\$0
- G1** graphite  A +\$0



Thrive® Power and Data Support

**Product Information**

**Description**

This electrical distributor provides a plug-in solution for Metaform Portfolio™ block configurations. It plugs directly into floor, wall, or ceiling drop outlets. Attachment hardware included. Product is UL listed.

**Notes**

Furrow attachment (F) is designed to fit product in Metaform block furrow.

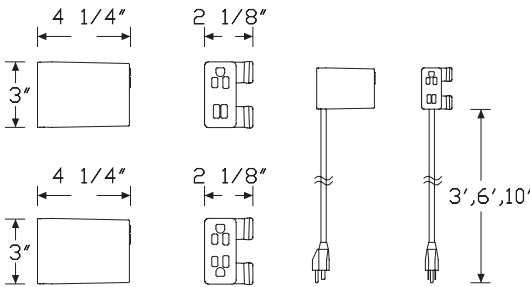
Product can be installed on a straight block (BLB1.) or curved block (BLB2.).

A small LED light illuminates through the USB ports when the USB version is plugged in and powered.

USB ports provide 10-watt power to charge most devices and tablets at full speed.

Cord color is predetermined. For white (g1) finish cords will be white. For graphite (G1) finish cords will be black.

**Dimensions**



**Specification Information**

**Step 1.**

**BLE01.**

**Step 2. Configuration**

- J** 1 simplex receptacles, 2 powered USB
- K** 2 simplex receptacles

**Step 3. Cord/Conduit Length**

- 03** 3' cord
- 06** 6' cord
- 10** 10' cord

**Step 4. Attachment**

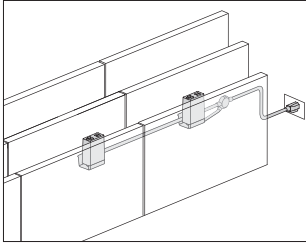
- F** furrow

**Prices for Steps 1-4.**

			<b>F</b>
<b>BLE01. J</b>	<b>03</b>		\$311
	<b>06</b>		\$311
	<b>10</b>		\$322
<b>K</b>	<b>03</b>		\$169
	<b>06</b>		\$169
	<b>10</b>		\$180

**Step 5. Finish**

<b>91</b>	white <input type="checkbox"/>	+\$0
<b>98</b>	studio white <input type="checkbox"/>	+\$0
<b>G1</b>	graphite <input type="checkbox"/>	+\$0



**Product Information**

**Description**

This electrical distributor provides a plug-in solution for Metaform Portfolio™ block configurations. Multiple module options present the same visual appearance. It plugs directly into floor, wall, or ceiling drop outlets. Attachment hardware included. Product is ETL listed to UL962.

**Notes**

Furrow attachment (F) is designed to fit product in Metaform block furrow.

Product can be installed on a straight block (BLB1.) or curved block (BLB2.).

Jumper length denotes distance between center points of each split point.

Cord length denotes distance from plug end to first split point.

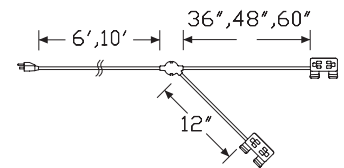
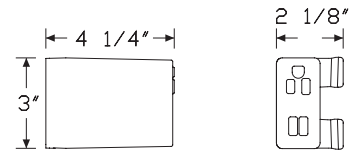
All branch lengths from main power cord to module are 12".

A small LED light illuminates through the USB ports when the USB version is plugged in and powered.

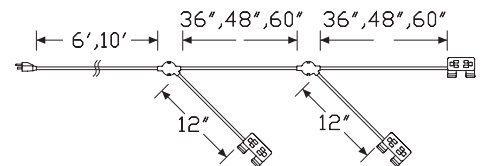
USB ports provide 10-watt power to charge most devices and tablets at full speed.

The cord head contains a circuit breaker when there are more than 3 simplex receptacles.

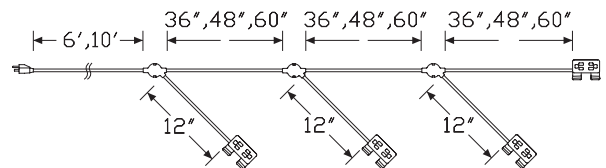
**Dimensions**



Two Power Modules



Three Power Modules



Four Power Modules

**Specification Information**

Step 1.

**BLE02.**  A

Step 2. Number of Modules

**2** two power modules  A

**3** three power modules  A

**4** four power modules  A

Step 3. Power Type

**J** 1 simplex receptacles, 2 powered USB, all modules  A

**K** 2 simplex receptacles, all modules  A

**L** first module has 1 AC plus 2 powered USB all other modules have all AC simplexes  A

Step 4. Jumper Length

**36** 36" between split points  A

**48** 48" between split points  A

**60** 60" between split points  A

Step 5. Attachment

**F** furrow  A

Step 6. Cord/Conduit Length

**06** 6' cord/conduit  A

**10** 10' cord/conduit  A

Prices for Steps 1-6.

		<b>36F06</b>	<b>36F10</b>	<b>48F06</b>	<b>48F10</b>	<b>60F06</b>	<b>60F10</b>
<b>BLE02. 2</b>	<b>J</b>	\$686	698	695	706	704	714
	<b>K</b>	\$411	422	420	430	428	438
	<b>L</b>	\$549	560	558	568	566	577
<b>3</b>	<b>J</b>	\$1022	1033	1040	1050	1056	1067
	<b>K</b>	\$624	634	640	650	658	668
	<b>L</b>	\$763	773	779	791	797	807
<b>4</b>	<b>J</b>	\$1389	1399	1414	1425	1431	1441
	<b>K</b>	\$838	848	863	874	888	899
	<b>L</b>	\$976	986	1002	1012	1026	1038

Step 7. Finish

**91** white  A +\$0

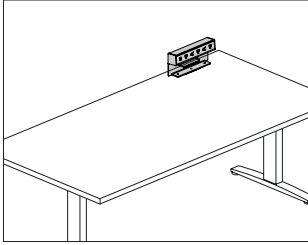
**98** studio white  A +\$0

**G1** graphite  A +\$0



# Logic C1000 Universal Clamp Mount Distributor

Y1423.



## Product Information

### Description

This Logic Power Access Solutions™ clamp mounted electrical distributor comes in several widths and configurations of simplex receptacles and USB charging ports. The unit is powered using a standard power cord with plug end or a hard-wired connection with electrical conduit. Data cords can be routed through the integrated opening at the rear of the unit. Product is UL listed.

### Notes

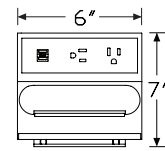
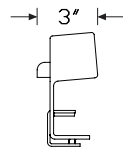
Clamp mounts on worksurfaces 1"-1 1/4" thick.

Faceplate color matches unit color.

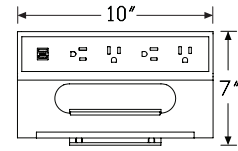
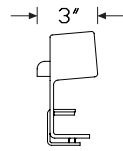
Simplex receptacles have alternating orientation and greater than normal plug spacing to accommodate most plug types.

USB ports supply 10-watt power and will charge most small electronic devices. Software in each device controls that devices ability to accept a charge via USB.

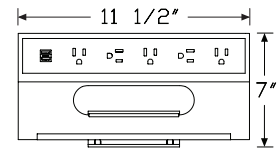
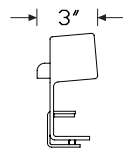
## Dimensions



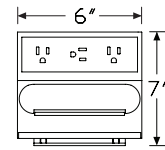
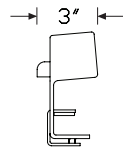
2 simplex receptacles, 2 powered USB



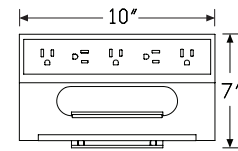
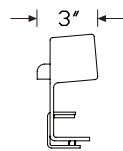
4 simplex receptacles, 2 powered USB



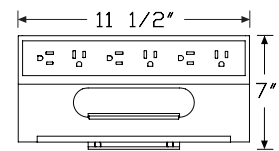
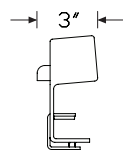
5 simplex receptacles, 2 powered USB



3 simplex receptacles



5 simplex receptacles



6 simplex receptacles

# Logic C1000 Universal Clamp Mount Distributor *continued*

Thrive® Power and Data Support

## Specification Information

### Step 1.

**Y1423.**  A

### Step 2. Configuration

- A** 2 simplex receptacles, 2 powered USB  A
- C** 4 simplex receptacles, 2 powered USB  A
- D** 5 simplex receptacles, 2 powered USB  A
- E** 3 simplex receptacles  A
- F** 5 simplex receptacles  A
- G** 6 simplex receptacles  A

### Step 3. Power Type

- A** power cord with plug end  A
- B** conduit with open end, for hard-wiring  A

### Step 4. Cord/Conduit Length

- 03** 3' cord/conduit  A
- 06** 6' cord/conduit  A
- 10** 10' cord/conduit  A

### Prices for Steps 1-4.

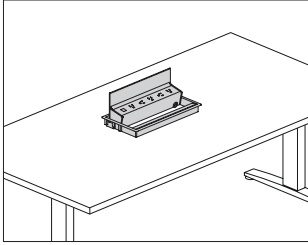
		<b>03</b>	<b>06</b>	<b>10</b>
<b>Y1423. A</b>	<b>A</b>	\$462	462	473
	<b>B</b>	\$513	513	523
	<b>C</b>	\$555	555	565
	<b>B</b>	\$606	606	617
	<b>D</b>	\$594	594	605
	<b>B</b>	\$645	645	656
	<b>E</b>	\$310	310	321
	<b>B</b>	\$362	362	372
	<b>F</b>	\$404	404	414
	<b>B</b>	\$454	454	465
	<b>G</b>	\$442	442	453
	<b>B</b>	\$493	493	504

### Step 5. Finish

- 91** white  A +\$0
- 98** studio white  A +\$0
- G1** graphite  A +\$0
- MS** metallic silver  A +\$0

# Logic G1000 Grommet Mounted Electrical Distributor

Y1425.



## Product Information

### Description

This Logic Power Access Solutions™ grommet mounted electrical distributor comes in several widths and configurations of simplex receptacles and USB charging ports. The unit is powered using a standard power cord with plug end, a hard-wired connection with electrical conduit, or an IEC connector when used with Renew™ Sit-to-Stand tables. An integrated cord keeper at the face of the unit captures data cords. The unit pivots from a closed position to 135° allowing easy access to power and data cords stored beneath the unit. Product is UL listed.

### Notes

Field cutting of grommet cutout is possible.

IEC connector for Renew power type (C) includes short cord designed to connect to the Renew table power cord through-leg option. Actual cord length may vary.

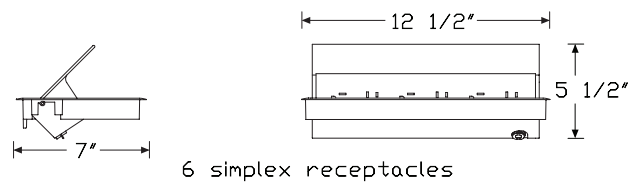
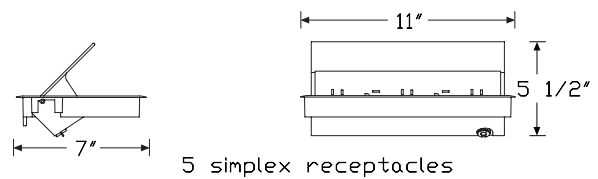
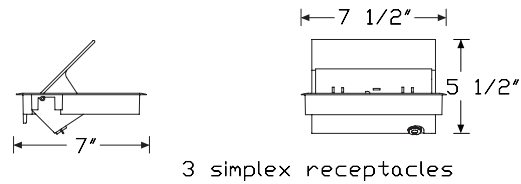
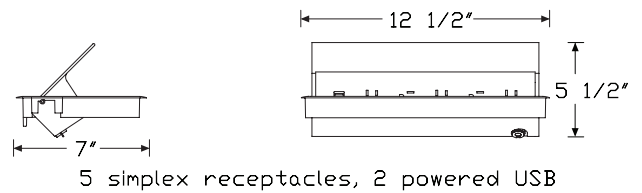
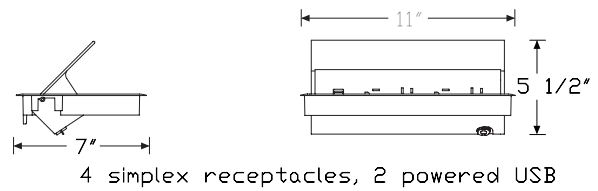
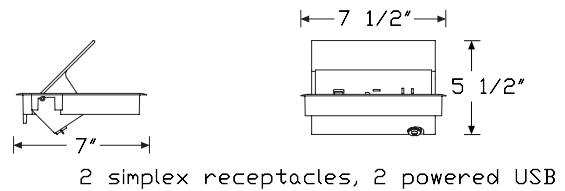
Simplex receptacles have alternating orientation and greater than normal plug spacing to accommodate most plug types.

USB ports supply 10-watt power and will charge most small electronic devices. Software in each device controls that devices ability to accept a charge via USB.

Refer to Renew™ Sit-to-Stand Tables and Locale® planning guides for specific application information.

20' cord/conduit length (20) is recommended for Exclave® applications.

## Dimensions



# Logic G1000 Grommet Mounted Electrical Distributor *continued*

Thrive® Power and Data Support

## Specification Information

### Step 1.

**Y1425.**  A

### Step 2. Configuration

- A** 2 simplex receptacles, 2 powered USB  A
- C** 4 simplex receptacles, 2 powered USB  A
- D** 5 simplex receptacles, 2 powered USB  A
- E** 3 simplex receptacles  A
- F** 5 simplex receptacles  A
- G** 6 simplex receptacles  A

### Step 3. Power Type

- A** power cord with plug end  A
- B** conduit with open end, for hard-wiring  A
- C** IEC connector for Renew Tables  A

### Step 4. Cord/Conduit Length

#### *For power cord with plug end (A)*

- 03** 3' cord/conduit  A
- 06** 6' cord/conduit  A
- 10** 10' cord/conduit  A
- 20** 20' cord/conduit  A

#### *For conduit with open end, for hard-wiring (B)*

- 03** 3' cord/conduit  A
- 06** 6' cord/conduit  A
- 10** 10' cord/conduit  A

#### *For IEC connector for Renew Tables (C)*

- 03** 3' cord/conduit  A

### Prices for Steps 1-4.

		<b>03</b>	<b>06</b>	<b>10</b>	<b>20</b>
<b>Y1425. A</b>	<b>A</b>	\$658	658	668	679
	<b>B</b>	\$709	709	719	—
	<b>C</b>	\$668	—	—	—
<b>C</b>	<b>A</b>	\$763	763	774	785
	<b>B</b>	\$814	814	825	—
	<b>C</b>	\$774	—	—	—
<b>D</b>	<b>A</b>	\$831	831	842	852
	<b>B</b>	\$882	882	892	—
	<b>C</b>	\$842	—	—	—
<b>E</b>	<b>A</b>	\$506	506	516	526
	<b>B</b>	\$556	556	567	—
	<b>C</b>	\$516	—	—	—

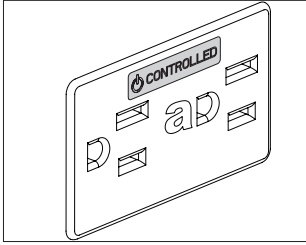
<b>F</b>	<b>A</b>	\$611	611	622	632
	<b>B</b>	\$662	662	673	—
	<b>C</b>	\$622	—	—	—
<b>G</b>	<b>A</b>	\$679	679	689	700
	<b>B</b>	\$729	729	741	—
	<b>C</b>	\$689	—	—	—

### Step 5. Finish

<b>91</b>	white <input type="checkbox"/> A				+\$0
<b>98</b>	studio white <input type="checkbox"/> A				+\$0
<b>G1</b>	graphite <input type="checkbox"/> A				+\$0
<b>MS</b>	metallic silver <input type="checkbox"/> A				+\$0

Controlled Receptacle Decal  
(12 per sheet)

G9999.

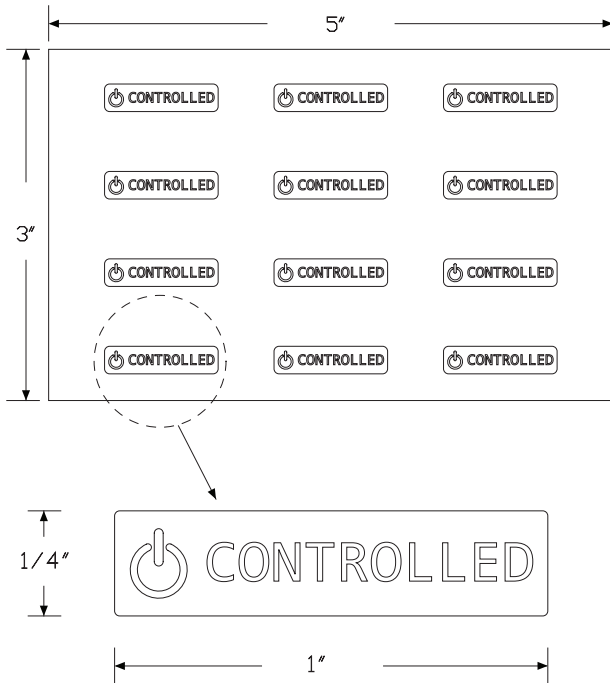


**Product Information**

**Description**

This decal is to be used for ASHRAE90.1 and Title 24 compliance. The decal is used to mark standard receptacles (new or existing) that are under automated control by the energy management system. 1 sheet includes 12 clear decals with white or black print.

**Dimensions**



**Specification Information**

**Step 1.**

**G9999.**  A

**Step 2. Color**

**B** black print  A

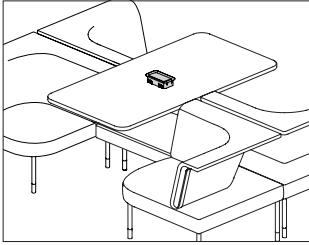
**W** white print  A

**Prices for Steps 1-2.**

<b>G9999. B</b>	\$8
<b>W</b>	\$8

# Logic Mini Grommet

Y1412.



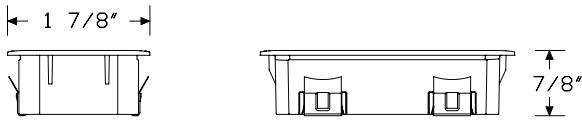
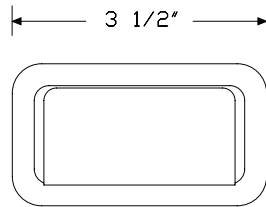
Thrive® Power and Data Support

## Product Information

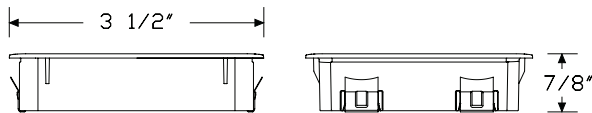
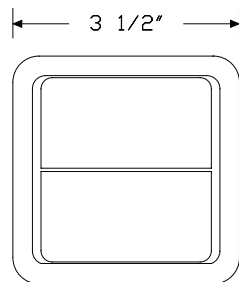
**Description**  
 This Logic Power Access Solutions™ plastic grommet is available in mini rectangle or mini square configuration. The integrated flaps can hide the things below the surface while also retaining power and data cords.

**Notes**  
 This grommet is installed in some HermanMiller applications. Verify your application before ordering grommet separately.

## Dimensions



Grommet - Rectangle



Grommet - Square

## Specification Information

**Step 1.**

**Y1412.**

### Step 2. Configuration

- 1 mini rectangle grommet
- 2 mini square grommet

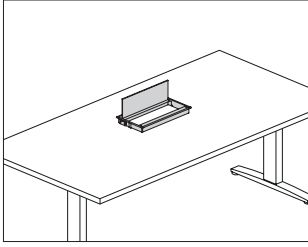
### Prices for Steps 1-2.

<b>Y1412. 1</b>	\$27
<b>2</b>	\$31

### Step 3. Finish

<b>91</b>	white	+\$0
<b>98</b>	studio white	+\$0
<b>G1</b>	graphite	+\$0

Logic G1200 Grommet Pass Thru Y1420.



**Product Information**

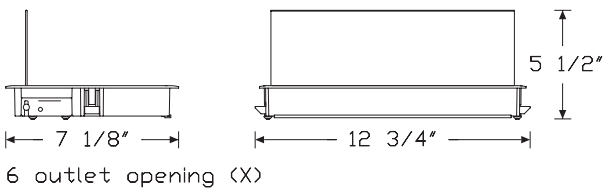
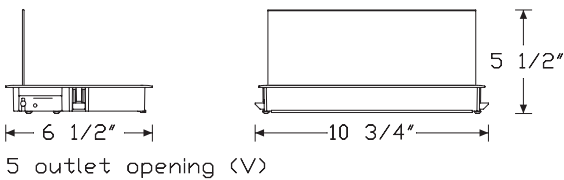
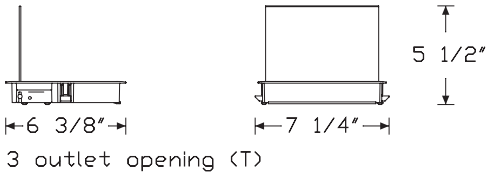
**Description**

This Logic Power Access Solutions™ grommet mounted metal enclosure provides access to cords kept beneath the surface. The unit has an integrated cord keeper.

**Notes**

Unit size is based on the grommet mounted electrical distributor (Y1425.) with simplex receptacles.

**Dimensions**



**Specification Information**

**Step 1.**

**Y1420.** [A]

**Step 2. Configuration**

- T** three outlet opening [A]
- V** five outlet opening [A]
- X** six outlet opening [A]

**Prices for Steps 1-2.**

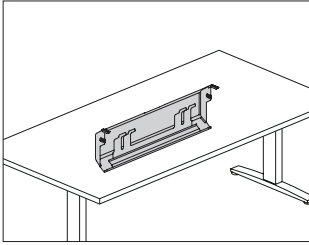
<b>Y1420. T</b>	\$220
<b>V</b>	\$242
<b>X</b>	\$263

**Step 3. Finish**

<b>91</b> white [A]	+\$0
<b>98</b> studio white [A]	+\$0
<b>G1</b> graphite [A]	+\$0
<b>MS</b> metallic silver [A]	+\$0

Logic HD Cable Manager

Y1424.

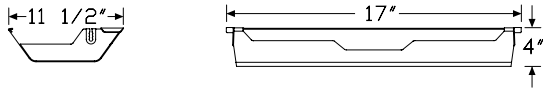


Thrive® Power and Data Support

**Product Information**

**Description**  
 This Logic Power Access Solutions™ stand-alone cable management tray mounts to the underside of most surfaces. It can be used with a Logic unit for cord storage, or used alone with cords routed through the back side of the unit. Tray drops down and holds cords in place while working and can be easily stowed back in place.

**Dimensions**



**Specification Information**

**Step 1.**

**Y1424.** [A]

**Step 2. Size**

**17** 17" wide tray [A]

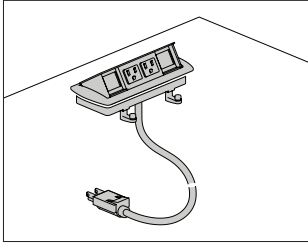
**Prices for Steps 1-2.**

**Y1424. 17** \$242

**Step 3. Finish**

- 91** white [A] +\$0
- 98** studio white [A] +\$0
- G1** graphite [A] +\$0
- MS** metallic silver [A] +\$0





**Product Information**

**Description**

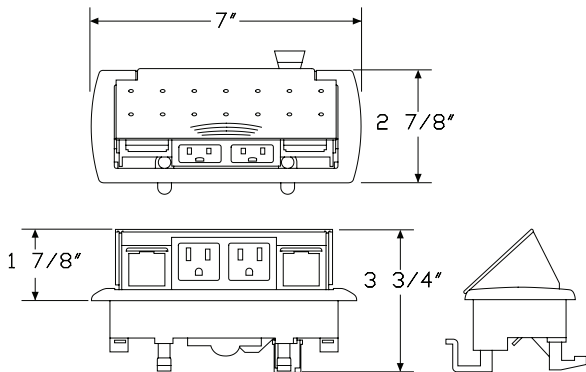
This electrical distributor mounts flush in a surface and has a one-touch pop-up mechanism for accessing power and data. It has 2 simplex receptacles and 2 data openings, and is available with a power cord with plug end, or electrical conduit for hardwire connection. A voice/data adapter kit is included, allowing the data openings to accept various manufacturers' couplers and jacks. Attachment hardware and cord/cable clips are also included. Product is UL listed.

**Notes**

Field cutting of surface may be required. Information on surface cutout size is included on instruction sheet.

Distributor with PVC-free wiring option (LZ) is Cradle to Cradle Silver Certified.

**Dimensions**



**Specification Information**

**Step 1.**

**Y1321.**

**Step 2. Power Type**

- A** power cord with plug end
- B** conduit with open end, for hard-wiring

**Step 3. Cord/Conduit Length**

- 03** 3' cord/conduit
- 06** 6' cord/conduit
- 10** 10' cord/conduit
- 20** 20' cord/conduit

**Prices for Steps 1-3.**

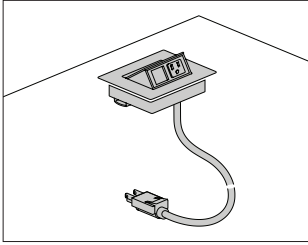
	<b>03</b>	<b>06</b>	<b>10</b>	<b>20</b>
<b>Y1321. A</b>	\$205	205	214	263
<b>B</b>	\$259	259	268	317

**Step 4. Wiring Type**

- 4Z** standard +\$0
- LZ** PVC-free +\$39

**Step 5. Finish**

- 0H** black +\$0



Thrive® Power and Data Support

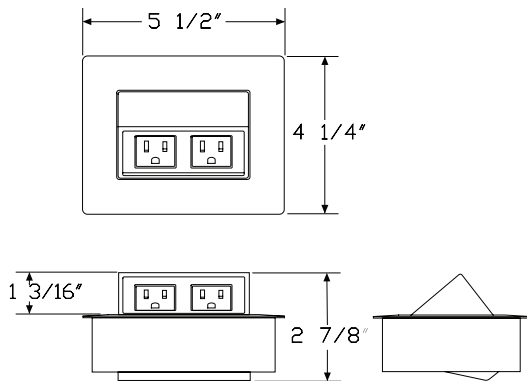
**Product Information**

**Description**  
 This electrical distributor mounts flush in a surface and has a one-touch pop-up mechanism for accessing power and data. It can be configured with 2 simplex receptacles, or 1 simplex receptacle and 1 data opening. The distributor is available with a power cord with plug end, or electrical conduit for hardwire connection. A voice/data adapter kit is included, allowing the data openings to accept various manufacturers' couplers and jacks. Attachment hardware and cord/cable clips are also included. Product is UL listed.

**Notes**

Field cutting of surface may be required. Information on surface cutout size is included on instruction sheet.  
 Distributor with PVC-free wiring option (LZ) is Cradle to Cradle Silver Certified.  
 Distributor with silver finish option (ol) or white finish option (oj) and standard wiring (4Z) has painted metal trim with white plastic simplex/data interior. Distributor with black finish option (oH) and standard wiring (4Z) has black painted trim with black plastic simplex/data interior. Distributor with PVC-free wiring option (LZ) has black plastic simplex/data interior, regardless of the finish color.

**Dimensions**



**Specification Information**

**Step 1.**

**Y1322.**

**Step 2. Configuration**

- 1** 1 simplex receptacle, 1 data opening
- 2** 2 simplex receptacles

**Step 3. Power Type**

- A** power cord with plug end
- B** conduit with open end, for hard-wiring

**Step 4. Cord/Conduit Length**

- 03** 3' cord/conduit
- 06** 6' cord/conduit
- 10** 10' cord/conduit
- 20** 20' cord/conduit

**Prices for Steps 1-4.**

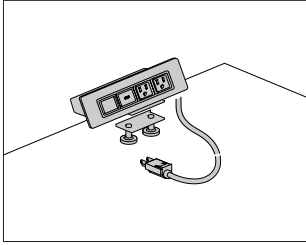
		<b>03</b>	<b>06</b>	<b>10</b>	<b>20</b>
<b>Y1322. 1</b>	<b>A</b>	\$244	244	253	302
	<b>B</b>	\$297	297	306	353
<b>2</b>	<b>A</b>	\$259	259	268	317
	<b>B</b>	\$311	311	322	371

**Step 5. Wiring Type**

- 4Z** standard +\$0
- LZ** PVC-free +\$39

**Step 6. Finish**

- oH** black +\$0
- ol** silver +\$0
- oj** white +\$0



**Product Information**

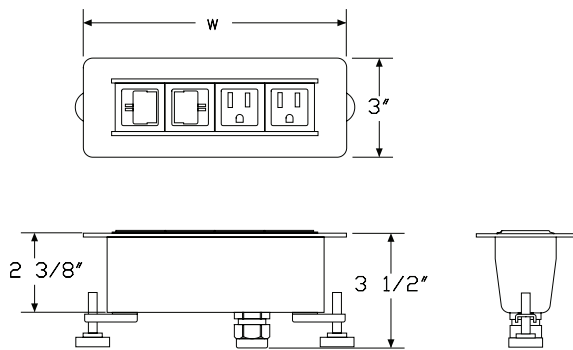
**Description**

This electrical distributor can grommet-mount flush in a surface, or clamp-mount to the edge. It can be configured with several combinations of simplex receptacles, data openings, and USB charging ports. The distributor is available with a power cord with plug end, or electrical conduit for hardwire connection. A voice/data adapter kit is included, allowing the data openings to accept various manufacturers' couplers and jacks. Attachment hardware and cord/cable clips are also included. Product is UL listed.

**Notes**

Field cutting of surface may be required. Information on surface cutout size is included on instruction sheet.  
 Silver option (o) and white option (o) have painted metal trim with white plastic simplex/data interiors. Black option (oH) has black painted trim with black plastic simplex/data interior.  
 Overall width for distributor with 4 openings is 8" wide. Overall width for distributor with 6 openings is 11" wide.  
 USB port charges at 2.1 amps.

**Dimensions**



**Specification Information**

**Step 1.**

**Y1323.**

**Step 2. Configuration**

<b>3</b>	2 simplex receptacles, 2 data openings
<b>4</b>	3 simplex receptacles, 3 data openings
<b>5</b>	2 simplex receptacles, 1 data opening, 1 charging USB port
<b>6</b>	3 simplex receptacles, 2 data opening, 1 charging USB port

**Step 3. Power Type**

<b>A</b>	power cord with plug end
<b>B</b>	conduit with open end, for hard-wiring

**Step 4. Cord/Conduit Length**

<b>03</b>	3' cord/conduit
<b>06</b>	6' cord/conduit
<b>10</b>	10' cord/conduit
<b>20</b>	20' cord/conduit

**Step 5. Attachment**

<b>G</b>	grommet mount
<b>S</b>	surface clamp

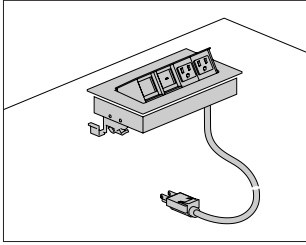
**Prices for Steps 1-5.**

		<b>03G</b>	<b>03S</b>	<b>06G</b>	<b>06S</b>	<b>10G</b>	<b>10S</b>
<b>Y1323. 3</b>	<b>A</b>	\$279	279	279	279	288	288
	<b>B</b>	\$332	332	332	332	341	341
<b>4</b>	<b>A</b>	\$347	347	347	347	356	356
	<b>B</b>	\$402	402	402	402	412	412
<b>5</b>	<b>A</b>	\$390	390	390	390	400	400
	<b>B</b>	\$444	444	444	444	453	453
<b>6</b>	<b>A</b>	\$459	459	459	459	469	469
	<b>B</b>	\$513	513	513	513	523	523
				<b>20G</b>	<b>20S</b>		
<b>Y1323. 3</b>	<b>A</b>					\$337	337
	<b>B</b>					\$388	388
<b>4</b>	<b>A</b>					\$407	407
	<b>B</b>					\$459	459
<b>5</b>	<b>A</b>					\$449	449
	<b>B</b>					\$521	521
<b>6</b>	<b>A</b>					\$517	517
	<b>B</b>					\$592	592

Thrive® Power and Data Support

---

Step 6. Finish		
<b>0H</b>	black	+\$0
<b>0I</b>	silver	+\$0
<b>0J</b>	white	+\$0



**Product Information**

**Description**

This electrical distributor mounts flush in a surface and has a one-touch pop-up mechanism for accessing power and data. It can be configured with several combinations of simplex receptacles, data openings, and USB charging ports. The distributor is available with a power cord with plug end, or electrical conduit for hardwire connection. A voice/data adapter kit is included, allowing the data openings to accept various manufacturers' couplers and jacks. Attachment hardware and cord/cable clips are also included. Product is UL listed.

**Notes**

Field cutting of surface may be required. Information on surface cutout size is included on instruction sheet.

Distributor with PVC-free wiring option (LZ) is Cradle to Cradle Silver Certified.

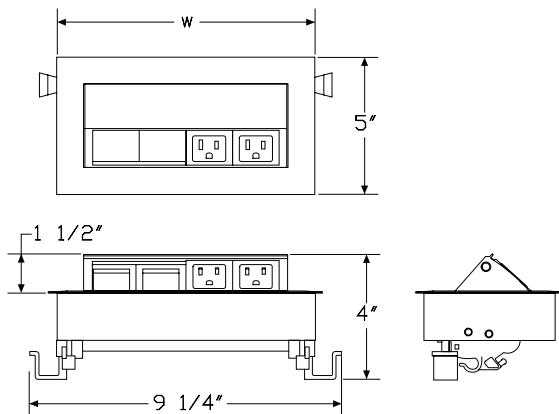
Distributor with silver anodized finish option (oK) and standard wiring (4Z) has anodized trim with white plastic simplex/data interior.

Distributor with silver anodized finish option (oK) and PVC-free wiring (LZ) has anodized trim with black plastic simplex/data interior.

Overall width for distributor with openings is 8 3/4" wide. Overall width for distributor with 7 openings is 12 3/4" wide.

USB port charges at 2.1 amps.

**Dimensions**



**Specification Information**

**Step 1.**

**Y1324.**

**Step 2. Configuration**

<b>3</b>	2 simplex receptacles, 2 data openings
<b>5</b>	3 simplex receptacles, 4 data openings
<b>6</b>	2 simplex receptacles, 1 data opening, 1 charging USB port
<b>7</b>	3 simplex receptacles, 3 data opening, 1 charging USB port
<b>8</b>	3 simplex receptacles, 2 data opening, 2 charging USB ports

**Step 3. Power Type**

<b>A</b>	power cord with plug end
<b>B</b>	conduit with open end, for hard-wiring

**Step 4. Cord/Conduit Length**

<b>03</b>	3' cord/conduit
<b>06</b>	6' cord/conduit
<b>10</b>	10' cord/conduit
<b>20</b>	20' cord/conduit

**Prices for Steps 1-4.**

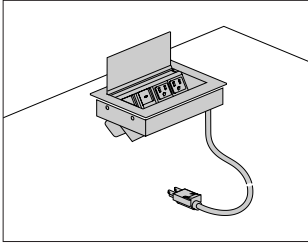
		<b>03</b>	<b>06</b>	<b>10</b>	<b>20</b>
<b>Y1324. 3</b>	<b>A</b>	\$388	388	398	447
	<b>B</b>	\$442	442	453	501
	<b>5 A</b>	\$500	500	510	557
	<b>B</b>	\$553	553	559	607
	<b>6 A</b>	\$501	501	510	557
	<b>B</b>	\$554	554	564	613
	<b>7 A</b>	\$611	611	621	670
	<b>B</b>	\$665	665	672	719
	<b>8 A</b>	\$723	723	732	782
	<b>B</b>	\$777	777	784	831

**Step 5. Wiring Type**

<b>4Z</b>	standard	+\$0
<b>LZ</b>	PVC-free	+\$39

**Step 6. Finish**

<b>OK</b>	silver anodized	+\$0
-----------	-----------------	------



Thrive® Power and Data Support

**Product Information**

**Description**

This electrical distributor mounts flush in a surface and has a flip-up lid for accessing power and data from above or below the surface. The flip lid can be closed once devices are connected for a clean visual appearance. It can be configured with several combinations of simplex receptacles, data openings, and USB charging ports. The distributor is available with a power cord with plug end, or electrical conduit for hardwire connection. A voice/data adapter kit is included, allowing the data openings to accept various manufacturers' couplers and jacks. Attachment hardware and cord/cable clips are also included. Product is UL listed.

**Notes**

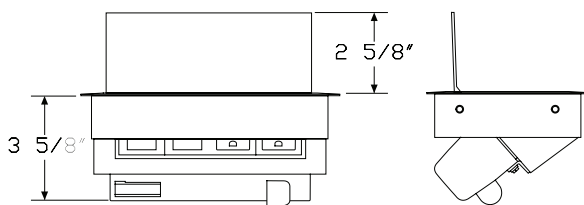
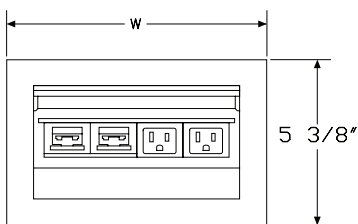
Field cutting of surface may be required. Information on surface cutout size is included on instruction sheet.

Silver anodized option (OK) has anodized trim with white plastic simplex/data interior.

Overall width for distributor with 4 openings is 8<sup>3</sup>/<sub>8</sub>" wide. Overall width for distributor with 6 openings is 11<sup>3</sup>/<sub>8</sub>" wide.

USB port charges at 2.1 amps.

**Dimensions**



**Specification Information**

**Step 1.**

**Y1325.**

**Step 2. Configuration**

- 3** 2 simplex receptacles, 2 data openings
- 7** 3 simplex receptacles, 3 data openings
- 5** 2 simplex receptacles, 1 data opening, 1 charging USB port
- 6** 3 simplex receptacles, 2 data opening, 1 charging USB port

**Step 3. Power Type**

- A** power cord with plug end
- B** conduit with open end, for hard-wiring

**Step 4. Cord/Conduit Length**

- 03** 3' cord/conduit
- 06** 6' cord/conduit
- 10** 10' cord/conduit
- 20** 20' cord/conduit

**Prices for Steps 1-4.**

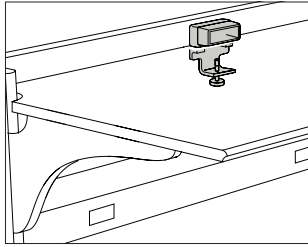
		<b>03</b>	<b>06</b>	<b>10</b>	<b>20</b>
<b>Y1325. 3</b>	<b>A</b>	\$458	458	468	516
	<b>B</b>	\$512	512	521	569
<b>7</b>	<b>A</b>	\$526	526	538	586
	<b>B</b>	\$580	580	591	639
<b>5</b>	<b>A</b>	\$571	571	580	628
	<b>B</b>	\$624	624	633	681
<b>6</b>	<b>A</b>	\$639	639	649	698
	<b>B</b>	\$691	691	705	751

**Step 5. Finish**

- OK** silver anodized +\$0

# Work Surface-Attached Voice/ Data Outlet

Y1320.

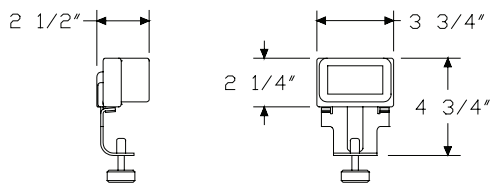


## Product Information

### Description

This outlet attaches to the back edge of an Action Office® Series 2 squared-edge work surface, Ethospace® work surface without a cable management trough, or Passage® desk module. It supports faceplates with voice/data ports at work surface height and has a furniture industry standard 1.38" high × 2.69" wide opening that accepts voice/data modules or faceplates from various manufacturers. Finish is graphite. Attachment hardware is included.

### Dimensions



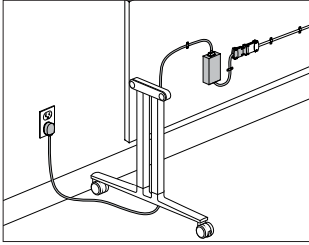
## Specification Information

### Step 1.

Y1320. A

\$115

# Connect™ Single Circuit Electrical Power Entry Y1377.



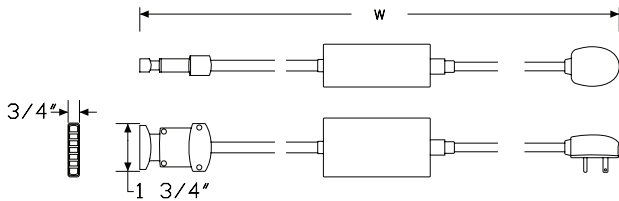
Thrive® Power and Data Support

## Product Information

**Description**  
 This standard receptacle 15-amp power entry provides power for single circuit electrical distributors. Up to 8 single circuit modular electrical distributors can be daisy chained and connected in any order. If more than 8 units are connected to this power entry, the system automatically shuts down and a red LED illuminates. A green LED indicates that more units can be connected and the system is ready. Standard attachment hardware is included.

**Notes**  
 UL listed when used in conjunction with most Everywhere™ fixed height tables.  
 Order electrical distributors (Y1371., Y1372., Y1373., Y1374., Y1375.) and single circuit jumpers (Y1378.) separately.

## Dimensions



## Specification Information

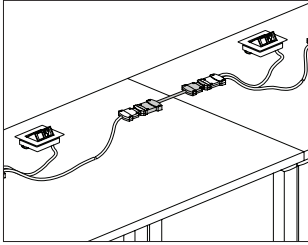
**Step 1.**  
**Y1377.**

**Step 2. Cord Length**  
**06** 6' long  
**10** 10' long

**Prices for Steps 1-2.**  
**Y1377. 06** \$456  
**10** \$478



# Connect™ Single Circuit Electrical By-Pass Jumper Y1378.



## Product Information

### Description

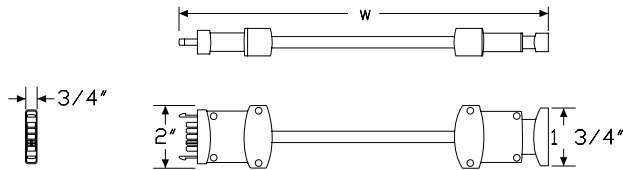
This electrical jumper provides additional length for the Connect™ single circuit modular electrical system. Jumpers are available in a variety of lengths and count as one of the 8 electrical distributors allowed per power entry.

### Notes

UL listed when used in conjunction with most Everywhere™ fixed height tables.

Order electrical distributors (Y1371., Y1372., Y1373., Y1374., Y1375.) and single circuit power entry (Y1377.) separately.

### Dimensions



## Specification Information

### Step 1.

#### Y1378.

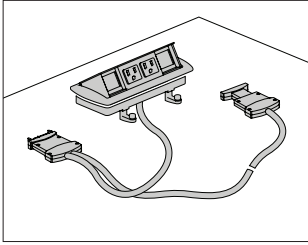
### Step 2. Cord Length

12	12" long
24	24" long
36	36" long
48	48" long
60	60" long

### Prices for Steps 1-2.

Y1378. 12	\$94
24	\$102
36	\$112
48	\$121
60	\$129

Connect™ - S710 - Connect Single  
Circuit Power Unit Y1371.



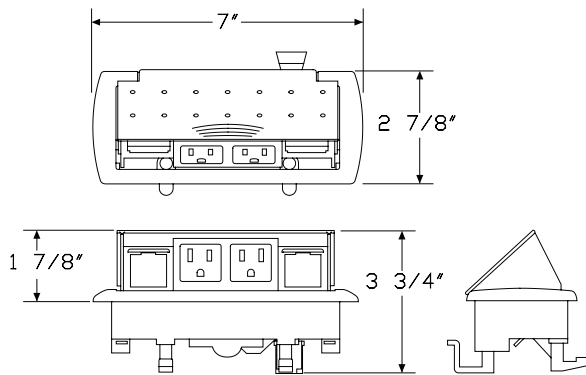
Thrive® Power and Data Support

**Product Information**

**Description**  
This dedicated modular single circuit electrical distributor mounts flush in a surface and has a one-touch pop-up mechanism for accessing power and data. It has 2 simplex receptacles and 2 data openings and a 60" cord. A maximum of 8 single circuit electrical distributors can be daisy chained per power entry. A voice/data adapter kit is included, allowing the data openings to accept various manufacturers couplers and jacks. Attachment hardware and cord/cable clips are also included.

**Notes**  
Field cutting of surface may be required. For information on surface cutout size, see included instruction sheet.  
UL listed when used in conjunction with most Everywhere™ fixed height tables.  
To gang tables together per electrical code requirements, order ganging bracket kit (Y1338.) separately.  
Order single circuit power entry (Y1377.) separately.  
Where lengths of greater than 60" are needed, order single circuit jumpers (Y1378.) separately. Each single circuit jumper counts toward the 8 allowed electrical distributors per power entry.

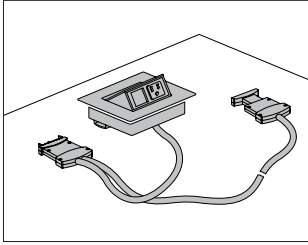
**Dimensions**



**Specification Information**

<b>Step 1.</b>	
<b>Y1371.</b>	
<b>Step 2. Configuration</b>	
<b>3</b>	2 simplex receptacles, 2 data openings
<b>Step 3. Cord Length</b>	
<b>60</b>	60" long
<b>Prices for Steps 1-3.</b>	
	<b>60</b>
<b>Y1371. 3</b>	<b>\$319</b>
<b>Step 4. Finish</b>	
<b>0H</b>	black <span style="float: right;">+ \$0</span>

Connect™ - S720 - Connect Single Y1372.  
Circuit Power Unit



**Product Information**

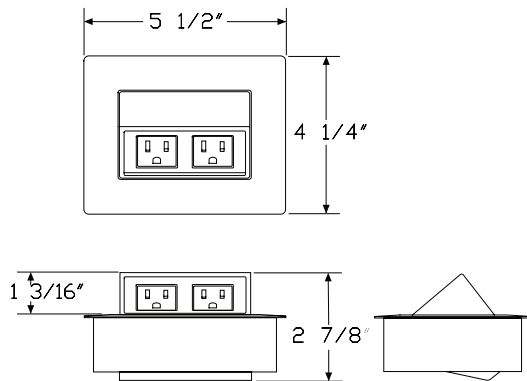
**Description**

This dedicated modular single circuit electrical distributor mounts flush in a surface and has a one-touch pop-up mechanism for accessing power and data. It can be configured with 2 simplex receptacles, or 1 simplex receptacle and 1 data opening. Cord length is 60". A maximum of 8 single circuit electrical distributors can be daisy chained per power entry. A voice/data adapter kit is included, allowing the data openings to accept various manufacturers couplers and jacks. Attachment hardware and cord/cable clips are also included.

**Notes**

Field cutting of surface may be required. For information on surface cutout size, see included instruction sheet.  
 UL listed when used in conjunction with most Everywhere™ fixed height tables.  
 To gang tables together per electrical code requirements, order ganging bracket kit (Y1338.) separately.  
 Order single circuit power entry (Y1377.) separately.  
 Where lengths of greater than 60" are needed, order single circuit jumpers (Y1378.) separately. Each single circuit jumper counts toward the 8 allowed electrical distributors per power entry.  
 Silver option (oI) and white option (oJ) have painted metal trim with white plastic simplex/data interiors. Black option (oH) has black painted trim with black plastic simplex/data interior.

**Dimensions**



**Specification Information**

**Step 1.**

**Y1372.**

**Step 2. Configuration**

- 1 1 simplex receptacle, 1 data opening
- 2 2 simplex receptacles

**Step 3. Cord Length**

**60** 60" long

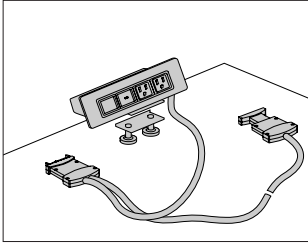
**Prices for Steps 1-3.**

	<b>60</b>
<b>Y1372. 1</b>	\$356
<b>2</b>	\$372

**Step 4. Finish**

<b>oH</b>	black	+\$0
<b>oI</b>	silver	+\$0
<b>oJ</b>	white	+\$0

# Connect™ - S730 - Connect Single Circuit Power Unit Y1373.



Thrive® Power and Data Support

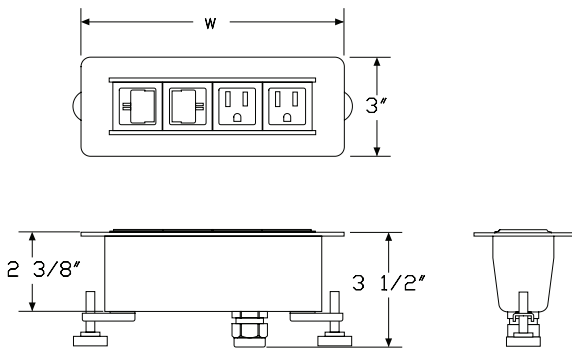
## Product Information

**Description**  
 This dedicated modular single circuit electrical distributor mounts flush in a surface or with an edge clamp mount. It has 2 simplex receptacles and 2 data openings, or 2 simplex receptacles and 1 data opening and 1 USB charging port, and a 60" cord. A maximum of 8 single circuit electrical distributors can be daisy chained per power entry. A voice/data adapter kit is included, allowing the data openings to accept various manufacturers' couplers and jacks. Attachment hardware and cord/cable clips are also included.

## Notes

Field cutting of surface may be required. For information on surface cutout size, see included instruction sheet.  
 UL listed when used in conjunction with most Everywhere™ fixed height tables.  
 To gang tables together per electrical code requirements, order ganging bracket kit (Y1338.) separately.  
 Order single circuit power entry (Y1377.) separately.  
 Where lengths of greater than 60" are needed, order single circuit jumpers (Y1378.) separately. Each single circuit jumper counts toward the 8 allowed electrical distributors per power entry.  
 Silver option (OI) and white option (OJ) have painted metal trim with white plastic simplex/data interiors. Black option (OH) has black painted trim with black plastic simplex/data interior.  
 USB port charges at 2.1 amps.

## Dimensions



## Specification Information

### Step 1.

**Y1373.**

### Step 2. Configuration

- 3** 2 simplex receptacles, 2 data openings
- 4** 2 simplex receptacles, 1 data opening, 1 charging USB port

### Step 3. Cord Length

**60** 60" long

### Step 4. Attachment

- G** grommet mount
- S** surface clamp

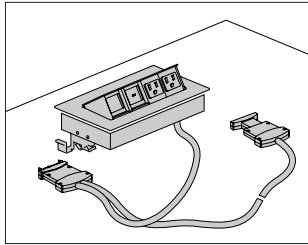
### Prices for Steps 1-4.

			<b>G</b>	<b>S</b>
<b>Y1373.</b>	<b>3</b>	<b>60</b>	\$402	390
	<b>4</b>	<b>60</b>	\$513	503

### Step 5. Finish

- OH** black +\$0
- OI** silver +\$0
- OJ** white +\$0

# Connect™ - S740 - Connect Single Circuit Power Unit Y1374.



## Product Information

### Description

This dedicated modular single circuit electrical distributor mounts flush in a surface and has a one-touch pop-up mechanism for accessing power and data. It has 2 simplex receptacles and 2 data openings, or 2 simplex receptacles and 1 data opening and 1 USB charging port, and a 60" cord. A maximum of 8 single circuit electrical distributors can be daisy chained per power entry. A voice/data adapter kit is included, allowing the data openings to accept various manufacturers' couplers and jacks. Attachment hardware and cord/cable clips are also included.

### Notes

Field cutting of surface may be required. For information on surface cutout size, see included instruction sheet.

UL listed when used in conjunction with most Everywhere™ fixed height tables.

To gang tables together per electrical code requirements, order ganging bracket kit (Y1338.) separately.

Order single circuit power entry (Y1377.) separately.

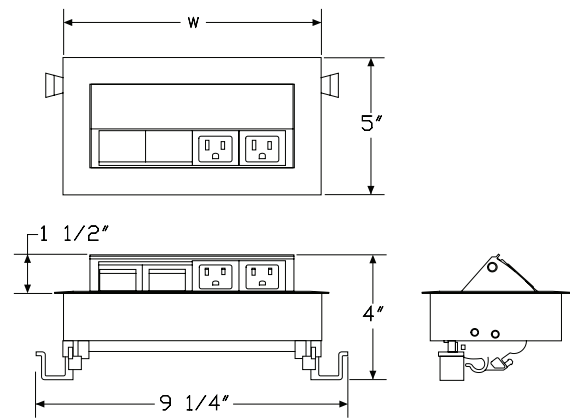
Where lengths of greater than 60" are needed, order single circuit jumpers (Y1378.) separately. Each single circuit jumper counts toward the 8 allowed electrical distributors per power entry.

Silver anodized option (oK) has anodized trim with white plastic simplex/data interior.

Overall width for distributor with 4 openings is 8 1/4" wide.

USB port charges at 2.1 amps.

## Dimensions

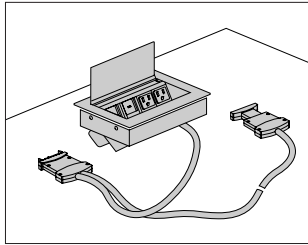


Connect™ - S740 - Connect Single  
 Circuit Power Unit *continued*

Thrive® Power and Data Support

Specification Information	
Step 1.	
<b>Y1374.</b>	
Step 2. Configuration	
<b>3</b>	2 simplex receptacles, 2 data openings
<b>4</b>	2 simplex receptacles, 1 data opening, 1 charging USB port
Step 3. Cord Length	
<b>60</b>	60" long
Prices for Steps 1-3.	
	<b>60</b>
<b>Y1374. 3</b>	\$499
<b>4</b>	\$610
Step 4. Finish	
<b>OK</b>	silver anodized <span style="float: right;">+ \$0</span>

# Connect™ - S750 - Connect Single Circuit Power Unit Y1375.



## Product Information

### Description

This dedicated modular single circuit electrical distributor mounts flush in a surface and has a flip-up lid for accessing power and data from above or below the surface. The lid can be closed once devices are connected for a clean visual appearance. The distributor has 2 simplex receptacles and 2 data openings, or 2 simplex receptacles and 1 data opening and 1 USB charging port, and a 60" cord. A maximum of 8 single circuit electrical distributors can be daisy chained per power entry. A voice/data adapter kit is included, allowing the data openings to accept various manufacturers' couplers and jacks. Attachment hardware and cord/cable clips are also included.

### Notes

Field cutting of surface may be required. For information on surface cutout size, see included instruction sheet.

UL listed when used in conjunction with most Everywhere™ fixed height tables.

To gang tables together per electrical code requirements, order ganging bracket kit (Y1338.) separately.

Order single circuit power entry (Y1377.) separately.

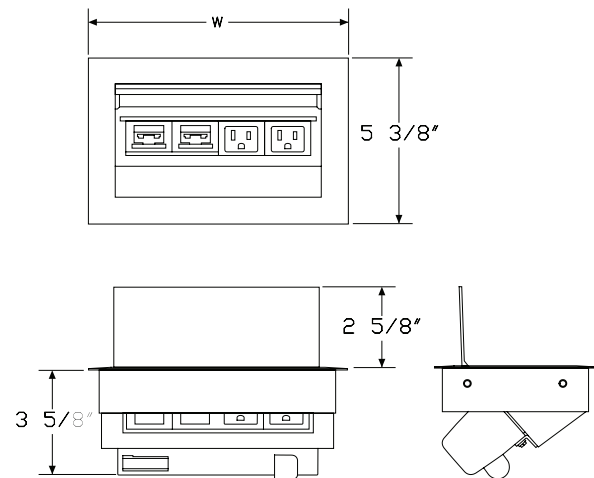
Where lengths of greater than 60" are needed, order single circuit jumpers (Y1378.) separately. Each single circuit jumper counts toward the 8 allowed electrical distributors per power entry.

Silver anodized option (oK) has anodized trim with white plastic simplex/data interior.

Overall width for distributor with 4 openings is 8<sup>3</sup>/<sub>8</sub>" wide.

USB port charges at 2.1 amps.

## Dimensions



Connect™ - S750 - Connect Single  
 Circuit Power Unit *continued*

Thrive® Power and Data Support

**Specification Information**

Step 1.

**Y1375.**

Step 2. Configuration

**3** 2 simplex receptacles, 2 data openings

**4** 2 simplex receptacles, 1 data opening, 1 charging USB port

Step 3. Cord Length

**60** 60" long

Prices for Steps 1-3.

**60**

**Y1375. 3** \$565

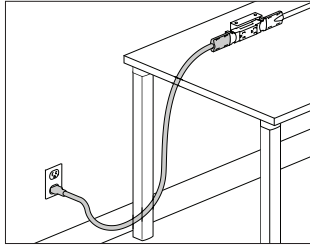
**4** \$678

Step 4. Finish

**OK** silver anodized +\$0



# Connect™-Power Entry with Plug End, 20 Amp Y1342.



## Product Information

### Description

This corded power entry brings power from a building's 20-amp electrical outlet to the end of a 2 circuit duplex receptacle. It distributes 1 circuit only. UL/CUL recognized.

### Notes

Only Connect™ duplex receptacle, 2-circuit, 15 amp circuit I (Y1345.1) receptacles can be used with this product as circuit I is the only active circuit.

Connect modular power products are not compatible with electrical components used in Herman Miller systems or desking product lines.

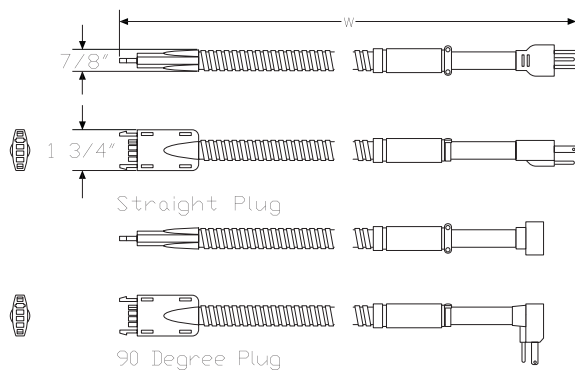
When routing power to an adjacent desk or table, surfaces must be ganged together. Order ganging bracket kit (Y1338.) separately.

When using power entry with plug end, electrical system will be UL recognized, not UL listed.

Power entry does not meet requirements for use in San Francisco.

Power entry has a combination of black liquid tight conduit and 3/8" silver metallic conduit.

## Dimensions



## Specification Information

### Step 1.

**Y1342.**

### Step 2. Length

**06** 6' long  
**10** 10' long

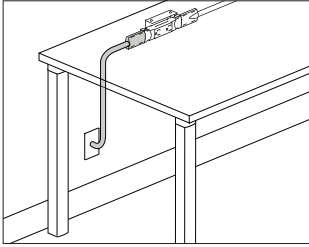
### Step 3. Plug Type

**A** straight plug  
**B** 90° plug

### Prices for Steps 1-3.

	A	B
<b>Y1342. 06</b>	\$209	209
<b>10</b>	\$243	243

# Connect™-Power Entry, 2-Circuit Y1341.



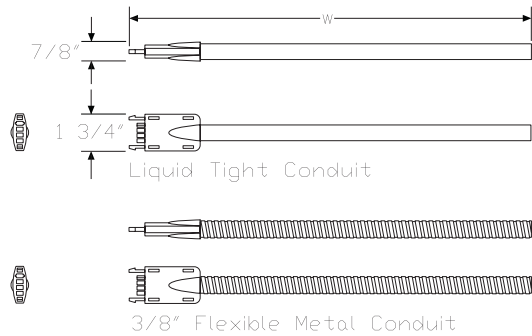
Thrive® Power and Data Support

## Product Information

**Description**  
 This power entry connects a building's electrical from a wall, floor, or column to the end of a 2 circuit duplex receptacle and distributes up to 2 20-amp circuits. UL 183 listed, CUL Certified.

**Notes**  
 Connect™ modular power products are not compatible with electrical components used in Herman Miller systems or desking product lines. When routing power to an adjacent desk or table, surfaces must be ganged together. Order ganging bracket kit (Y1338.) separately. Power entry can be field cut to the appropriate length. For San Francisco, specify 3/8" flex metallic conduit option (C). Finish color on liquid tight conduit is black. Finish color on metallic conduit is silver. A licensed electrician must wire the power entry to the building's electrical system.

## Dimensions



## Specification Information

**Step 1.**  
**Y1341.**

### Step 2. Length

<b>06</b>	6' long
<b>12</b>	12' long
<b>18</b>	18' long
<b>24</b>	24' long

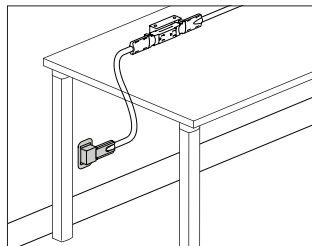
### Step 3. Conduit Type

<b>L</b>	liquid tight conduit
<b>C</b>	3/8" flex metallic conduit

### Prices for Steps 1-3.

	L	C
<b>Y1341. 06</b>	\$139	139
<b>12</b>	\$184	184
<b>18</b>	\$229	229
<b>24</b>	\$284	284

**Connect™ - Modular Power Entry, 2 Circuit, Architectural Wall Receptacle Box Y1349.**



**Product Information**

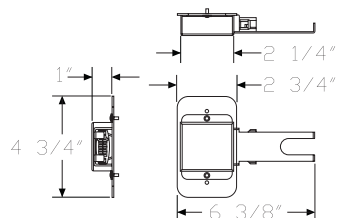
**Description**

This black receptacle box provides a modular power connection to building power at the wall in a standard receptacle box allowing for the electrical jumper to be easily removed when not in use. Product is UL listed when installed by a licensed electrician.

**Notes**

Connect™ modular power products are not compatible with electrical components used in Herman Miller systems or desking product lines.  
 Includes mounting plate, modular connection with wiring, and cover.  
 Jumper (Y1343) plugs into the receptacle box modular power entry.  
 Works with Connect 2-circuit products only.

**Dimensions**



**Specification Information**

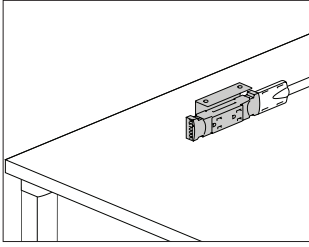
**Step 1.**

**Y1349.**

**\$104**

# Connect™-Duplex Receptacle, Y1345.

## 2-Circuit, 15 Amp



Thrive® Power and Data Support

### Product Information

#### Description

This duplex receptacle attaches beneath a desk or table to provide electrical access. It has connection points at both ends for attaching a power entry or 2-circuit power jumper. Finish is black. Attachment bracket and hardware included. UL 183 listed, CUL Certified.

#### Notes

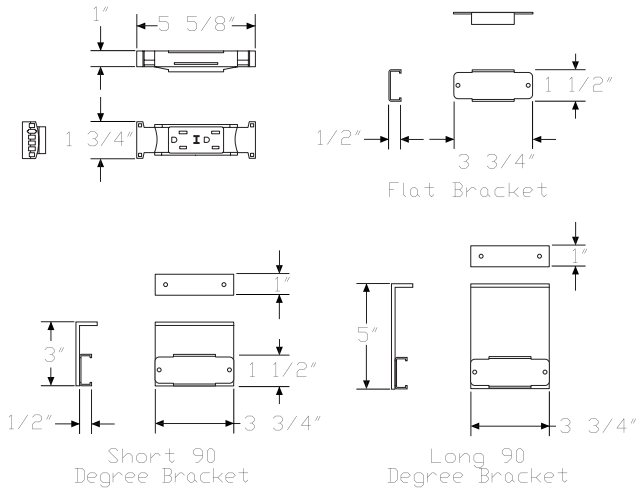
Connect™ modular power products are not compatible with electrical components used in Herman Miller systems or desking product lines. When routing power to an adjacent desk or table, surfaces must be ganged together. Order ganging bracket kit (Y1338.) separately. Receptacle is labeled as I or II for circuit identification.

To route power from building to receptacle, order power entry, 2-circuit (Y1341.) or power entry with plug end, 20 amp (Y1342.) separately.

Power entry with plug end distributes 1 circuit only.

To route power between receptacles, order power jumper, 2-circuit (Y1343.) separately.

### Dimensions



### Specification Information

#### Step 1.

#### Y1345.

#### Step 2. Circuit

- 1 circuit I
- 2 circuit II

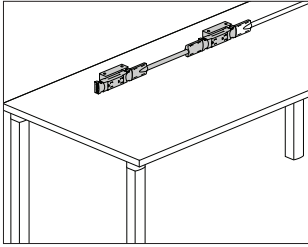
#### Step 3. Attachment Hardware

- A flat attachment to underside of surface
- B short 90° attachment to underside of surface
- C long 90° attachment to underside of surface

#### Prices for Steps 1-3.

	A	B	C
Y1345. 1	\$70	76	76
2	\$70	76	76

# Connect™-Dual Receptacle Power Kit, 2-Circuit Y1340.



## Product Information

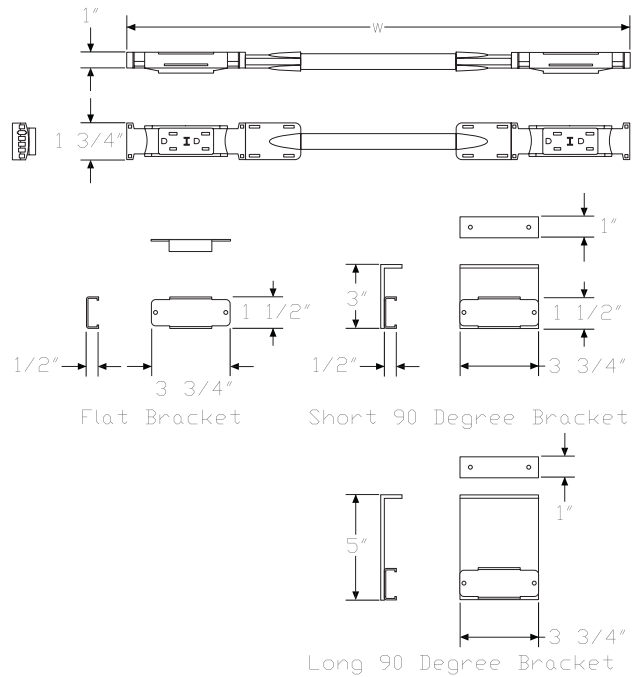
### Description

This single-sided power kit attaches to the underside of a desk or table to provide electrical access and distributes up to 2 20-amp circuits. Receptacles, power jumper, conduit clamps, and attachment hardware included. UL 183 listed, CUL Certified.

### Notes

- Connect™ modular power products are not compatible with electrical components used in Herman Miller systems or desking product lines. Match width of power kit to width of surface.
- When routing power to an adjacent desk or table, surfaces must be ganged together. Order ganging bracket kit (Y1338.) separately.
- Receptacles are labeled as I or II for circuit identification.
- 36"-wide power kit uses a receptacle-to-receptacle block connector in place of a jumper to connect the receptacles together.
- To route power from building to power kit, order power entry, 2-circuit (Y1341.) or power entry with plug end, 20 amp (Y1342.) separately.
- Power entry with plug end distributes 1 circuit only.
- To connect power kits between adjacent desks or tables, order power jumper, 2-circuit (Y1343.) separately.
- For San Francisco, specify 3/8" flex metallic kit (Y1338.) separately.
- Receptacle finish is black. Finish color on liquid tight conduit is black.
- Finish on metallic conduit is silver.
- 36" - 54" wide kits have no conduit clips. 60" - 78" wide kits include 1 conduit clip. 84" - 96" wide kits include 2 conduit clips.
- To attach kit flush to bottom of surface, with receptacles facing down, specify flat attachment to underside of surface option (A).
- To attach kit perpendicular to bottom of surface, specify short 90° attachment to underside of surface option (B).

## Dimensions



Thrive® Power and Data Support

# Connect™-Dual Receptacle Power Kit, 2-Circuit *continued*

Thrive® Power and Data Support

## Specification Information

### Step 1.

**Y1340.**

### Step 2. Width

<b>36</b>	36" wide
<b>42</b>	42" wide
<b>48</b>	48" wide
<b>54</b>	54" wide
<b>60</b>	60" wide
<b>66</b>	66" wide
<b>72</b>	72" wide
<b>78</b>	78" wide
<b>84</b>	84" wide
<b>90</b>	90" wide
<b>96</b>	96" wide

### Step 3. Conduit Type

<b>L</b>	liquid tight conduit
<b>C</b>	3/8" flex metallic conduit

### Step 4. Circuit

<b>1</b>	circuit I
<b>2</b>	circuit II

### Step 5. Attachment Hardware

<b>A</b>	flat attachment to underside of surface
<b>B</b>	short 90° attachment to underside of surface
<b>C</b>	long 90° attachment to underside of surface

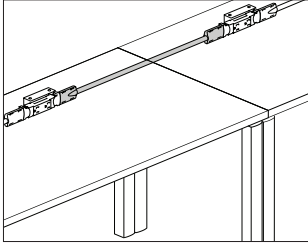
### Prices for Steps 1-5.

	<b>1A</b>	<b>1B</b>	<b>1C</b>	<b>2A</b>	<b>2B</b>	<b>2C</b>
<b>Y1340. 36 L</b>	\$152	158	158	152	158	158
<b>C</b>	\$152	158	158	152	158	158
<b>42 L</b>	\$169	174	174	169	174	174
<b>C</b>	\$169	174	174	169	174	174
<b>48 L</b>	\$173	178	178	173	178	178
<b>C</b>	\$173	178	178	173	178	178
<b>54 L</b>	\$178	185	185	178	185	185
<b>C</b>	\$178	185	185	178	185	185
<b>60 L</b>	\$184	191	191	184	191	191
<b>C</b>	\$184	191	191	184	191	191
<b>66 L</b>	\$188	195	195	188	195	195
<b>C</b>	\$188	195	195	188	195	195
<b>72 L</b>	\$194	199	199	194	199	199
<b>C</b>	\$194	199	199	194	199	199

<b>78 L</b>	\$198	203	203	198	203	203
<b>C</b>	\$198	203	203	198	203	203
<b>84 L</b>	\$202	207	207	202	207	207
<b>C</b>	\$202	207	207	202	207	207
<b>90 L</b>	\$207	212	212	207	212	212
<b>C</b>	\$207	212	212	207	212	212
<b>96 L</b>	\$211	216	216	211	216	216
<b>C</b>	\$211	216	216	211	216	216

# Connect™-Jumper, 2-Circuit

Y1343.



### Product Information

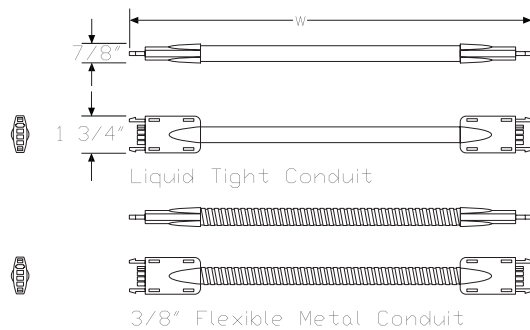
#### Description

This power jumper distributes up to 2 20-amp circuits. It can be used between 2 receptacles or between 2 dual receptacle power kits. UL 183 listed, CUL Certified.

#### Notes

- Connect™ modular power products are not compatible with electrical components used in Herman Miller systems or desking product lines.
- When routing power to an adjacent desk or table, surfaces must be ganged together. Order ganging bracket kit (Y1338.) separately.
- For San Francisco, specify 3/8" flex metallic conduit option (C).
- When connecting dual receptacle power kits (Y1340.) between adjacent surfaces in a linear run, specify 24"-wide jumper.
- When connecting dual receptacle power kits (Y1340.) at the outside corner of 2 24"-deep surfaces at 90°, specify 42"-wide jumper.
- When connecting dual receptacle power kits (Y1340.) at the outside corner of 2 30"-deep surfaces at 90°, specify 48"-wide jumper.
- When connecting dual receptacle power kits (Y1340.) at the outside corner of 1 30"-deep and 1 24"-deep surface, specify 48"-wide jumper.
- When connecting dual receptacle power kits (Y1340.) at the inside corner of 2 24" - or 30"-deep surfaces, specify 30"-wide jumper.
- Order the following products separately:
- 2-circuit dual receptacle power kit (Y1340.) or duplex receptacle, 2-circuit, 15 amp (Y1345.)
  - Conduit clamps (Y1339.)
  - Receptacle bracket (Y1347.) - for duplex receptacle, 2-circuit

#### Dimensions



### Specification Information

#### Step 1.

**Y1343.**

#### Step 2. Width

06	6" wide
09	9" wide
12	12" wide
18	18" wide
24	24" wide
30	30" wide
36	36" wide
42	42" wide
48	48" wide
54	54" wide
60	60" wide
66	66" wide
72	72" wide
78	78" wide
84	84" wide
90	90" wide
96	96" wide
108	108" wide
120	120" wide
132	132" wide
144	144" wide

#### Step 3. Conduit Type

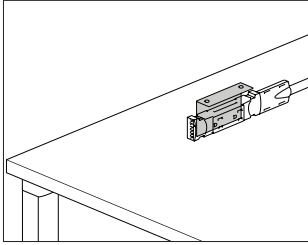
L	liquid tight conduit
C	3/8" flex metallic conduit

Connect™-Jumper, 2-Circuit *continued*

Prices for Steps 1-3.		L	C
<b>Thrive® Power and Data Support</b>	<b>Y1343. 06</b>	\$55	55
	<b>09</b>	\$57	57
	<b>12</b>	\$59	59
	<b>18</b>	\$64	64
	<b>24</b>	\$68	68
	<b>30</b>	\$72	72
	<b>36</b>	\$77	77
	<b>42</b>	\$81	81
	<b>48</b>	\$85	85
	<b>54</b>	\$90	90
	<b>60</b>	\$95	95
	<b>66</b>	\$99	99
	<b>72</b>	\$103	103
	<b>78</b>	\$108	108
	<b>84</b>	\$113	113
	<b>90</b>	\$117	117
	<b>96</b>	\$124	124
	<b>108</b>	\$132	132
<b>120</b>	\$141	141	
<b>132</b>	\$151	151	
<b>144</b>	\$160	160	



# Connect™-Receptacle Brackets, Y1347. 2-Circuit



### Product Information

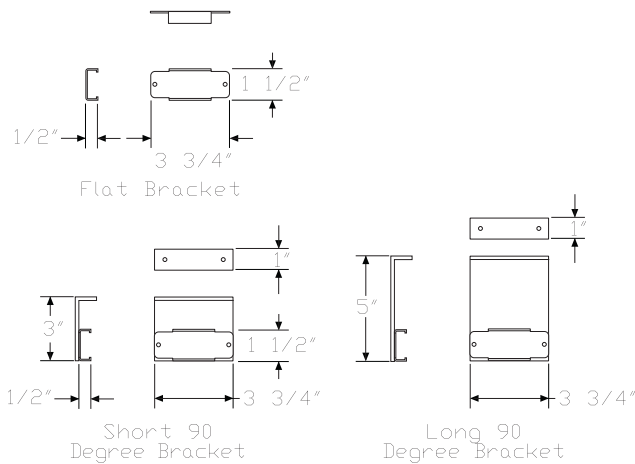
#### Description

This bracket attaches a 2-circuit receptacle to a desk or table. Finish is black. Package of 10.

#### Notes

Connect™ modular power products are not compatible with electrical components used in Herman Miller systems or desking product lines. To attach receptacle flush to bottom of surface, facing down, specify flat attachment to underside of surface option (A). To attach receptacle perpendicular to bottom of surface, specify short 90° attachment to underside of surface option (B). Order duplex receptacle, 2-circuit, 15 amp (Y1345.) separately.

### Dimensions



### Specification Information

#### Step 1.

**Y1347.**

#### Step 2. Attachment Hardware

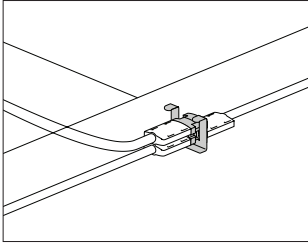
- A** flat attachment to underside of surface
- B** short 90° attachment to underside of surface
- C** long 90° attachment to underside of surface

#### Prices for Steps 1-2.

<b>Y1347. A</b>	\$58
<b>B</b>	\$92
<b>C</b>	\$92

# Connect™-Block Connector, 2-Circuit

Y1344.



Thrive® Power and Data Support

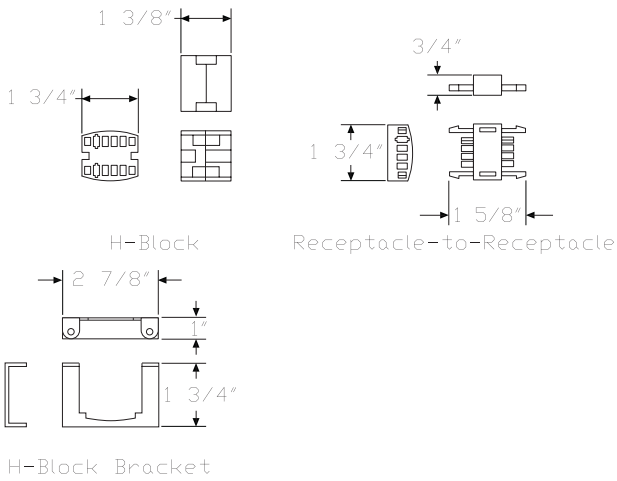
### Product Information

**Description**  
 This block connects components together to distribute power. The H-block connector connects jumpers together at 2-, 3-, and 4-way connection points, or distributes power from a power entry to multiple components. The receptacle-to-receptacle connector connects 2 receptacles together. Finish is black. Attachment hardware included. UL 183 listed, CUL Certified.

### Notes

Connect™ modular power products are not compatible with electrical components used in Herman Miller systems or desking product lines. When routing power to an adjacent desk or table, surfaces must be ganged together. Order ganging bracket kit (Y1338.) separately.

### Dimensions



### Specification Information

#### Step 1.

**Y1344.**

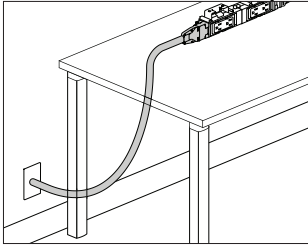
#### Step 2. Connector Type

- H** H-block connector
- R** receptacle-to-receptacle block connector

#### Prices for Steps 1-2.

<b>Y1344. H</b>	\$35
<b>R</b>	\$25

# Connect™-Power Entry, 4-Circuit Y1351.



## Product Information

### Description

This power entry connects a building's electrical from a wall, floor, or column to the end of a 4-circuit dual junction block power kit or junction block and distributes up to 4 20-amp circuits. UL 183 listed, CUL Certified.

### Notes

Connect™ modular power products are not compatible with electrical components used in Herman Miller systems or desking product lines.

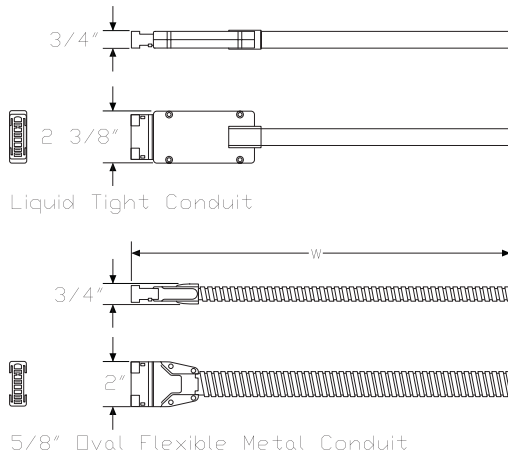
Power entry can be field cut to the appropriate length.

For San Francisco, specify 3/8" flex metallic conduit option (C).

Finish color on liquid tight conduit is black. Finish color on metallic conduit is silver.

A licensed electrician must wire the power entry to the building's electrical system.

## Dimensions



## Specification Information

### Step 1.

**Y1351.**

### Step 2. Length

<b>06</b>	6' long
<b>12</b>	12' long
<b>18</b>	18' long
<b>24</b>	24' long

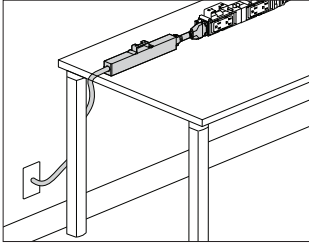
### Step 3. Conduit Type

<b>L</b>	liquid tight conduit
<b>C</b>	3/8" flex metallic conduit

### Prices for Steps 1-3.

	<b>L</b>	<b>C</b>
<b>Y1351. 06</b>	\$152	152
<b>12</b>	\$217	217
<b>18</b>	\$285	285
<b>24</b>	\$365	365

Connect™-Power Entry, 4-Circuit, New York City Y1352.



Thrive® Power and Data Support

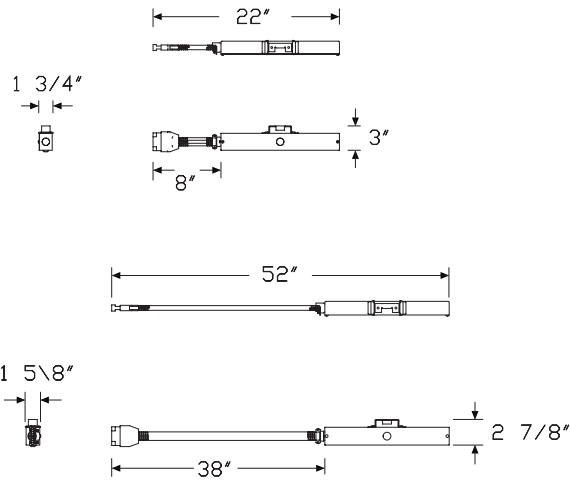
**Product Information**

**Description**  
 This power entry connects a building's electrical from a wall, floor, or column to the end of a 4-circuit dual junction block power kit or junction block and distributes up to 4 20-amp circuits. It includes a junction box and harness. UL 183 listed, CUL Certified.

**Notes**

Connect™ modular power products are not compatible with electrical components used in Herman Miller systems or desking product lines. A licensed electrician must wire the power entry to the building's electrical system.  
 For use with Renew™ Link, specify 8" power entry (08).  
 For use with Layout Studio®, specify 38" power entry (38).

**Dimensions**



**Specification Information**

Step 1.

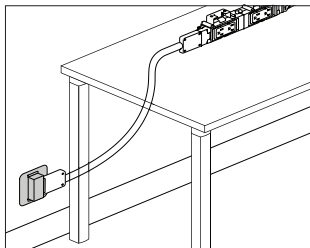
**Y1352.** [A] \$250

Step 2. Length

**08** 8" power entry [A] +\$0

**38** 38" power entry [A] +\$0

Connect™-Modular Power Entry, 4 Circuit, Architectural Wall Junction Box Y1359.



**Product Information**

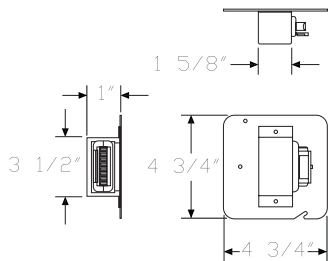
**Description**

This black receptacle box provides a modular power connection to building power at the wall in a standard 2-gang electrical box allowing for the electrical jumper to be easily removed when not in use. Product is UL listed when installed by a licensed electrician.

**Notes**

Connect™ modular power products are not compatible with electrical components used in Herman Miller systems or desking product lines.  
 Includes mounting plate, modular connection with wiring, and cover.  
 Jumper (Y1353.) plugs into the receptacle box modular power entry.  
 Works with Connect 4-circuit products only.

**Dimensions**



**Specification Information**

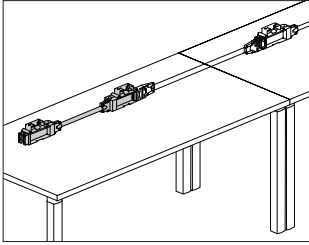
**Step 1.**

**Y1359.**

\$116

# Connect™-Dual Junction Block Power Kit, 4-Circuit

Y1350.



## Product Information

### Description

This power kit attaches to the underside of a desk or table to provide electrical access and distributes up to 4 20-amp circuits. It is available as a single-sided or double-sided kit. The single-sided power kit is modular and includes 2 junction blocks, a non-adjustable jumper, and attachment hardware. The double-sided kit is a 1-piece construction consisting of 2 junction blocks, a jumper, and attachment hardware; it cannot be reconfigured. The single-sided and double-sided kits are UL 183 listed, CUL certified.

### Notes

Connect™ modular power products are not compatible with electrical components used in Herman Miller systems or desking product lines.

Match width of power kit to width of surface.

When routing power to an adjacent desk or table, surfaces must be ganged together. Order ganging bracket kit (Y1338.) separately.

The single-sided junction block provides 1 or 2 receptacle locations. The double-sided junction block provides 2 to 4 receptacle locations. Order duplex receptacle, 4-circuit (Y1355.) separately.

To route power from building to power kit, order 4-circuit power entry (Y1351.) separately.

Power kit is not necessary for a 36"-wide surface. To add power to a 36"-wide surface, order double junction block, 4-circuit (Y1358.DH) or double back-to-back junction block (Y1358.DB).

To connect power kits between adjacent desks or tables, order junction block to junction block jumper, 4-circuit (Y1353.) separately.

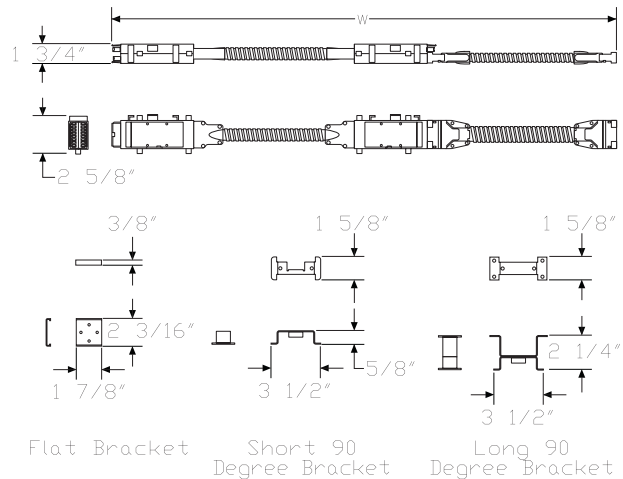
Finish color of junction block is black. Finish color of 5/8" oval metallic conduit is silver.

42" - 54" wide kits have no conduit clips. 60" - 78" wide kits include 1 conduit clip. 84" - 96" wide kits include 2 conduit clips.

To attach kit with single-sided junction block option (S) flush to bottom of surface, with receptacles facing down, specify flat attachment to underside of surface option (A).

To attach kit perpendicular to bottom of surface, specify short 90° attachment to underside of surface option (B).

## Dimensions



# Connect™-Dual Junction Block Power Kit, 4-Circuit *continued*

## Specification Information

Step 1.

**Y1350.**

Step 2. Width

<b>42</b>	42" wide
<b>48</b>	48" wide
<b>54</b>	54" wide
<b>60</b>	60" wide
<b>66</b>	66" wide
<b>72</b>	72" wide
<b>78</b>	78" wide
<b>84</b>	84" wide
<b>90</b>	90" wide
<b>96</b>	96" wide

Step 3. Junction Block Type

<b>S</b>	single-sided junction block
<b>D</b>	double-sided junction block

Step 4. Attachment Hardware

*For single-sided junction block (S)*

<b>A</b>	flat attachment to underside of surface
<b>B</b>	short 90° attachment to underside of surface
<b>C</b>	long 90° attachment to underside of surface

*For double-sided junction block (D)*

<b>B</b>	short 90° attachment to underside of surface
<b>C</b>	long 90° attachment to underside of surface

Prices for Steps 1-4.

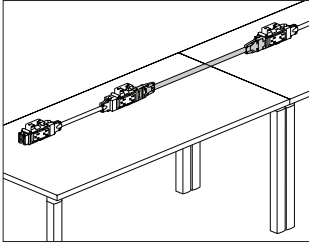
	<b>A</b>	<b>B</b>	<b>C</b>
<b>Y1350. 42 S</b>	\$195	200	200
<b>D</b>	—	\$144	144
<b>48 S</b>	\$200	205	205
<b>D</b>	—	\$151	151
<b>54 S</b>	\$205	210	210
<b>D</b>	—	\$157	157
<b>60 S</b>	\$210	215	215
<b>D</b>	—	\$162	162
<b>66 S</b>	\$215	221	221
<b>D</b>	—	\$167	167
<b>72 S</b>	\$221	228	228
<b>D</b>	—	\$172	172
<b>78 S</b>	\$228	235	235
<b>D</b>	—	\$177	177

<b>84 S</b>	\$234	245	245
<b>D</b>	—	\$184	184
<b>90 S</b>	\$239	244	244
<b>D</b>	—	\$191	191
<b>96 S</b>	\$244	249	249
<b>D</b>	—	\$196	196

Thrive® Power and Data Support

# Connect™-Junction Block to Junction Block Jumper, 4-Circuit

Y1353.



## Product Information

### Description

This power jumper distributes up to 4 20-amp circuits between 2 power kits or junction blocks and is available as adjustable or non-adjustable. The adjustable jumper allows 1 end of the jumper to extend an additional 3" when connecting to components under an adjacent desk or table. UL 183 listed, CUL Certified.

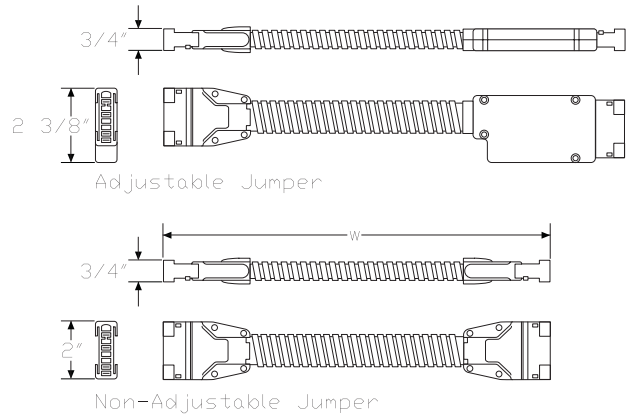
### Notes

Connect™ modular power products are not compatible with electrical components used in Herman Miller systems or desking product lines. When routing power to an adjacent desk or table, surfaces must be ganged together. Order ganging bracket kit (Y1338.) separately. When connecting dual junction block power kits (Y1350.) between adjacent surfaces in a linear run, specify 24"-wide jumper. When connecting dual junction block power kits (Y1350.) at the outside corner of 2 24"-deep surfaces at 90°, specify 42"-wide jumper. When connecting dual junction block power kits (Y1350.) at the outside corner of 2 30"-deep surfaces at 90°, specify 48"-wide jumper. When connecting dual junction block power kits (Y1350.) at the outside corner of 1 30"-deep and 1 24"-deep surface, specify 48"-wide jumper. When connecting dual junction block power kits (Y1350.) at the inside corner of 2 24"- or 30"-deep surfaces, specify 30"-wide jumper. Finish on 5/8" oval metallic conduit is silver.

Order the following products separately:

- Conduit clamps (Y1339.)
- Dual junction block power kit, 4-circuit (Y1350.) or junction block, 4-circuit (Y1358.)
- Duplex receptacle, 4-circuit (Y1355.) - for junction block, 4-circuit
- Junction block bracket, 4-circuit (Y1357.) - for junction block, 4-circuit
- Power entry, 4-circuit (Y1351.)

## Dimensions





# Connect™-Junction Block to Junction Block Jumper, 4-Circuit

continued

## Specification Information

Step 1.

**Y1353.**

Step 2. Width

<b>12</b>	12" wide
<b>18</b>	18" wide
<b>24</b>	24" wide
<b>30</b>	30" wide
<b>36</b>	36" wide
<b>42</b>	42" wide
<b>48</b>	48" wide
<b>54</b>	54" wide
<b>60</b>	60" wide
<b>66</b>	66" wide
<b>72</b>	72" wide
<b>78</b>	78" wide
<b>84</b>	84" wide
<b>90</b>	90" wide
<b>108</b>	108" wide
<b>120</b>	120" wide
<b>132</b>	132" wide
<b>144</b>	144" wide

Step 3. Type

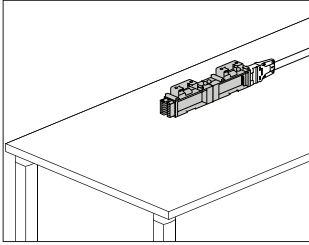
<b>A</b>	adjustable jumper
<b>N</b>	nonadjustable jumper

Prices for Steps 1-3.

	<b>A</b>	<b>N</b>
<b>Y1353. 12</b>	\$77	77
<b>18</b>	\$82	82
<b>24</b>	\$88	88
<b>30</b>	\$94	94
<b>36</b>	\$99	99
<b>42</b>	\$104	104
<b>48</b>	\$111	111
<b>54</b>	\$116	116
<b>60</b>	\$122	122
<b>66</b>	\$127	127
<b>72</b>	\$132	132
<b>78</b>	\$138	138
<b>84</b>	\$143	143
<b>90</b>	\$150	150
<b>108</b>	\$166	166
<b>120</b>	\$176	176
<b>132</b>	\$188	188
<b>144</b>	\$200	200

Thrive® Power and Data Support

# Connect™-Junction Block, 4-Circuit Y1358.



## Product Information

### Description

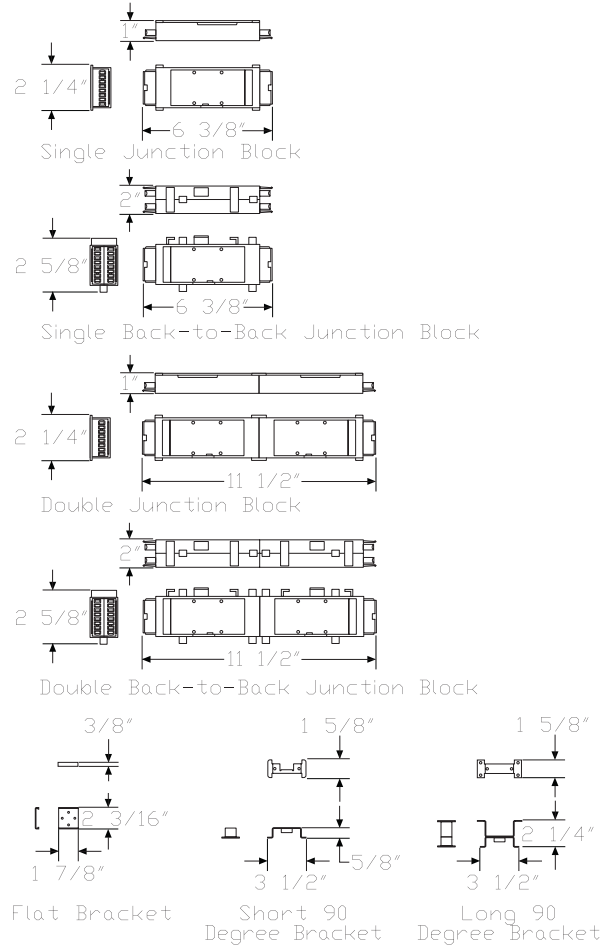
This block attaches beneath a desk or table and accepts 4-circuit receptacles for access and distribution of up to 4 20-amp circuits. It has connection points at both ends for attaching a power entry or 4-circuit power jumper. The block can be specified for 1 receptacle, 2 receptacles side-by-side, 2 receptacles back-to-back, or 4 receptacles; 2 side-by-side and 2 back-to-back. Finish is black. Attachment bracket and hardware included. UL 183 listed, CUL Certified.

### Notes

Connect™ modular power products are not compatible with electrical components used in Herman Miller systems or desking product lines. When routing power to an adjacent desk or table, surfaces must be ganged together. Order ganging bracket kit (Y1338.) separately. To route power from building to junction block, order 4-circuit power entry (Y1351.) separately. To route power between junction blocks, order junction block to junction block jumper, 4-circuit (Y1353.) separately. To route power from a 36"-wide surface to an adjacent surface, specify double junction block option (DH) or double back-to-back junction block option (DB) and order power jumper (Y1353.) separately. Order duplex receptacle, 4-circuit (Y1355.) separately. To maintain proper spacing when specifying double junction block (Y1358.DH) or double back-to-back junction block (Y1358.DB), order adjustable jumpers (Y1353.xxxA) separately.

Thrive® Power and Data Support

## Dimensions



# Connect™-Junction Block, 4-Circuit

continued

## Specification Information

Step 1.

**Y1358.**

Step 2. Junction Block Type

- SH** single junction block
- SB** single back-to-back junction block
- DH** double junction block
- DB** double back-to-back junction block

Step 3. Attachment Hardware

*For single junction block (SH) or double junction block (DH)*

- A** flat attachment to underside of surface
- B** short 90° attachment to underside of surface
- C** long 90° attachment to underside of surface

*For single back-to-back junction block (SB) or double back-to-back junction block (DB)*

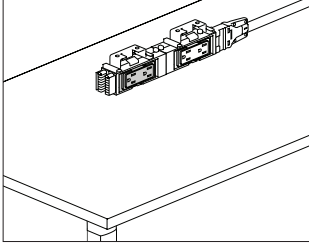
- B** short 90° attachment to underside of surface
- C** long 90° attachment to underside of surface

Prices for Steps 1-3.

	<b>A</b>	<b>B</b>	<b>C</b>
<b>Y1358. SH</b>	\$87	93	93
<b>SB</b>	—	\$93	93
<b>DH</b>	\$70	76	76
<b>DB</b>	—	\$76	76

# Connect™-Duplex Receptacle, Y1355.

## 4-Circuit



Thrive® Power and Data Support

### Product Information

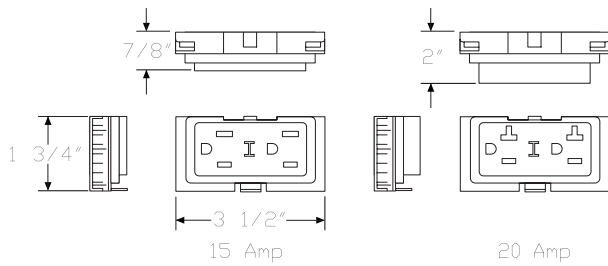
**Description**  
 This 15- or 20-amp duplex receptacle attaches to a power kit or junction block to provide electrical access. Finish is black. UL 183 listed, CUL Certified.

### Notes

Connect™ modular power products are not compatible with electrical components used in Herman Miller systems or desking product lines.  
 Receptacle is labeled as I, II, III, or IV for circuit identification.  
 Order the following products separately:

- Dual junction block power kit, 4-circuit (Y1350.)
- Junction block, 4-circuit (Y1358.)

### Dimensions



### Specification Information

#### Step 1.

#### Y1355.

#### Step 2. Amps

<b>15</b>	15 amp
<b>20</b>	20 amp

#### Step 3. Circuit

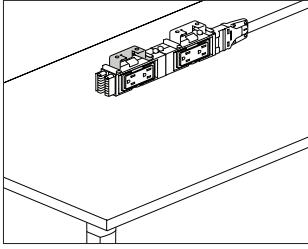
<b>1</b>	circuit I
<b>2</b>	circuit II
<b>3</b>	circuit III
<b>4</b>	circuit IV

#### Prices for Steps 1-3.

	<b>1</b>	<b>2</b>	<b>3</b>	<b>4</b>
<b>Y1355. 15</b>	\$24	24	24	24
<b>20</b>	\$28	28	28	28

# Connect™-Junction Block Brackets, 4-Circuit

Y1357.



### Product Information

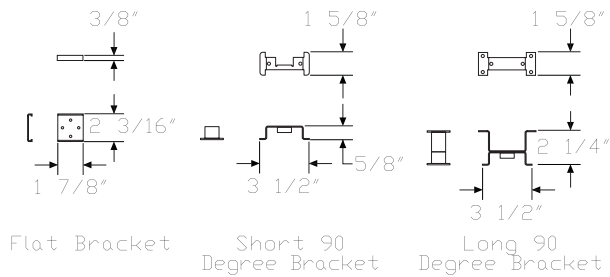
#### Description

This bracket attaches a 4-circuit junction block to a desk or table.  
Package of 10.

#### Notes

Connect™ modular power products are not compatible with electrical components used in Herman Miller systems or desking product lines.  
To attach junction block flush to bottom of surface, facing down, specify flat attachment to underside of surface option (A).  
To attach junction block perpendicular to bottom of surface, specify short 90° attachment to underside of surface option (B).  
Finish on flat attachment to underside of surface option (A) is black.  
Finish on short 90° attachment to underside of surface option (B) and long 90° attachment to underside of surface option (C) is silver.  
Order junction block, 4-circuit (Y1358.) separately.

### Dimensions



### Specification Information

#### Step 1.

Y1357.

#### Step 2. Attachment Hardware

- A flat attachment to underside of surface
- B short 90° attachment to underside of surface
- C long 90° attachment to underside of surface

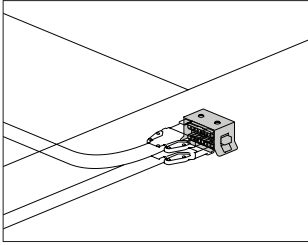
#### Prices for Steps 1-2.

Y1357. A	\$58
B	\$92
C	\$92

Thrive® Power and Data Support

# Connect™-Block Connector, 4-Circuit

Y1354.



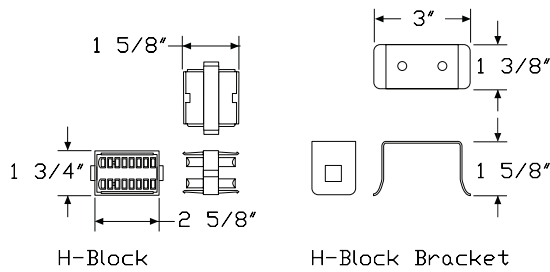
Thrive® Power and Data Support

## Product Information

**Description**  
 This block connects components together to distribute power. The H-block connector connects jumpers together at 2-, 3-, and 4-way connection points, or distributes power from a power entry to multiple components. The receptacle-to-receptacle connectors connect 2 junction blocks together. Finish is black. Attachment hardware included. UL 183 listed, CUL Certified.

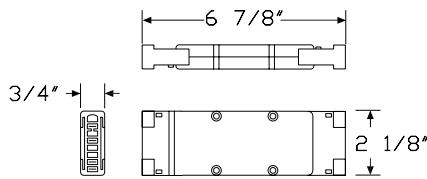
**Notes**  
 Connect™ modular power products are not compatible with electrical components used in Herman Miller systems or desking product lines. When routing power to an adjacent desk or table, surfaces must be ganged together. Order ganging bracket kit (Y1338.) separately.

## Dimensions

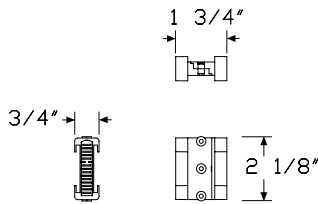


H-Block

H-Block Bracket



Receptacle-to-Receptacle Block Connector



Short Receptacle-to-Receptacle Block Connector

## Specification Information

Step 1.

**Y1354.**

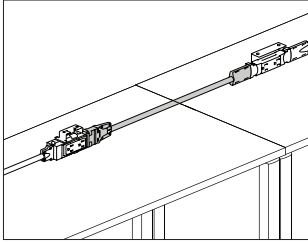
Step 2. Connector Type

- H** H-block connector
- S** short receptacle-to-receptacle block connector A
- R** receptacle-to-receptacle block connector

Prices for Steps 1-2.

<b>Y1354. H</b>	\$42
<b>S</b>	\$52
<b>R</b>	\$54

Connect™-Transition Jumper, 2- to 4-Circuit Y1356.



**Product Information**

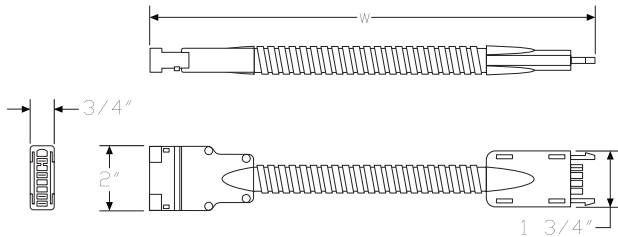
**Description**

This jumper transfers power from a 2-circuit power kit, receptacle, or connector block to a 4-circuit junction block or connector block. 1 conduit clamp included. UL 183 listed, CUL Certified.

**Notes**

Connect™ modular power products are not compatible with electrical components used in Herman Miller systems or desking product lines. When routing power to an adjacent desk or table, surfaces must be ganged together. Order ganging bracket kit (Y1338.) separately. Finish on 5/8" oval metallic conduit is silver.

**Dimensions**



**Specification Information**

**Step 1.**

**Y1356.**

**Step 2. Width**

- 06** 6" wide
- 24** 24" wide
- 36** 36" wide
- 48** 48" wide
- 72** 72" wide
- 96** 96" wide

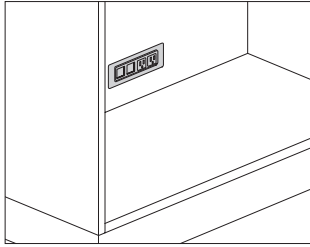
**Step 3. Conduit Type**

- L** liquid tight conduit

**Prices for Steps 1-3.**

	<b>L</b>
<b>Y1356. 06</b>	\$71
<b>24</b>	\$88
<b>36</b>	\$99
<b>48</b>	\$111
<b>72</b>	\$132
<b>96</b>	\$156

# Connect™ - S310 Electrical Unit Y1329. with Connect Modular Connection



Thrive® Power and Data Support

## Product Information

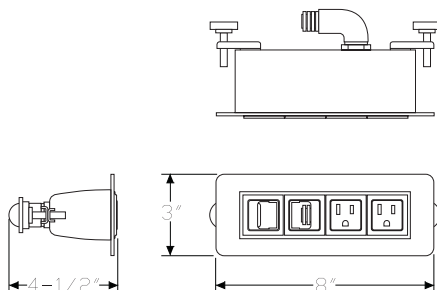
### Description

This electrical distributor provides power to a lateral file, low credenza, or storage case with a Connect™ 4-circuit modular connector. It can be top surface mounted flush or vertically mounted in the false back of a cabinet. A voice/data adapter kit is included, allowing the data openings to accept various manufacturers' couplers and jacks. Attachment hardware is included. Product is UL listed.

### Notes

- Field cutting of surface may be required. Information on surface cutout size is included on instruction sheet.
- Silver option (OI) and white option (OJ) have painted metal trim with white plastic simplex/data interiors. Black option (OH) has black painted trim with black plastic simplex/data interior.
- Modular electrical connectors can only connect to Connect 4-circuit modular power system.
- Order the following products separately:
- Canvas powered metal low credenza (FMP72A., FMP72K., FMP73A., FMP73K., FMP74A., FMP74K.)
  - Canvas powered wood low credenza (FFD72A., FFD72K., FFD73A., FFD73K., FFD74A., FFD74K.)
  - Meridian powered storage case (PSC-, PS6-, PSAM-, PSAV-, PSKM-, PSKV-)
  - Meridian powered storage lateral file (PS26-, PS2AM, PS2AV, PS2KM, PS2KV)
  - Connect - power entry, 4-circuit (Y1351.)
  - Connect - junction block to junction block jumper, 4-circuit (Y1353.)
  - Connect - block connector, 4-circuit (Y1354.)
  - Other Connect 4-circuit modular power components as required
- For Canvas powered storage, order Connect - conduit clamp (Y1339.) separately.

### Dimensions



## Specification Information

### Step 1.

**Y1329.**

### Step 2. Configuration

- 3** 2 simplex receptacles, 2 data openings  
**8** 3 simplex receptacles, 1 data opening

### Step 3. Power Type

- E** 4 circuit circuit 1  
**F** 4 circuit circuit 2  
**G** 4 circuit circuit 3  
**H** 4 circuit circuit 4

### Step 4. Cord/Conduit Length

- 02** 2' conduit  
**03** 3' conduit  
**04** 4' conduit  
**06** 6' conduit  
**10** 10' conduit

### Prices for Steps 1-4.

		02	03	04	06	10
<b>Y1329. 3</b>	<b>E</b>	\$331	340	349	371	411
	<b>F</b>	\$331	340	349	371	411
	<b>G</b>	\$331	340	349	371	411
	<b>H</b>	\$331	340	349	371	411
<b>8</b>	<b>E</b>	\$346	355	368	386	426
	<b>F</b>	\$346	355	368	386	426
	<b>G</b>	\$346	355	368	386	426
	<b>H</b>	\$346	355	368	386	426

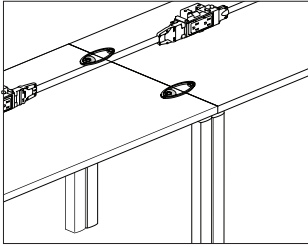
### Step 5. Finish

<b>OH</b>	black					+\$0
<b>OI</b>	silver					+\$0
<b>OJ</b>	white					+\$0



# Connect™-Ganging Bracket Kit

Y1338.



### Product Information

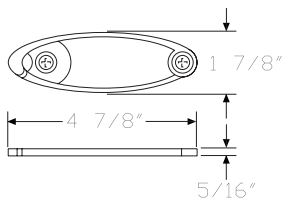
#### Description

This kit has 2 clips that attach to the underside of 2 adjacent surfaces, ganging them together to provide stability and allowing electrical components to be routed from 1 surface to another. Finish is black.

#### Notes

Ganging bracket kit should not be used on 18"-deep Everywhere™ tables.

#### Dimensions



### Specification Information

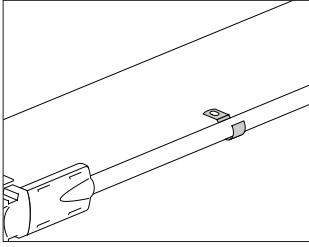
#### Step 1.

Y1338.

\$77

# Connect™-Conduit Clamp

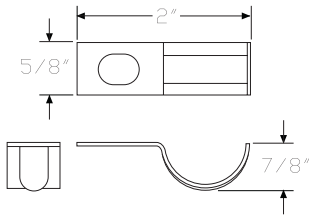
Y1339.



## Product Information

**Description**  
This clamp screws to the underside of a surface to support the conduit on electrical components. Finish is silver. Package of 10.

## Dimensions



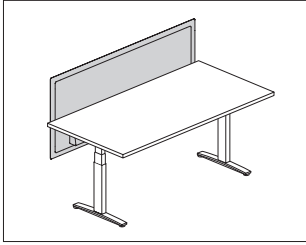
## Specification Information

**Step 1.**  
**Y1339.** \$10

Thrive® Power and Data Support

# Pari Screen, Height Adjustable Tables

Y1116.



## Product Information

### Description

This screen attaches to an individual height adjustable work surface. It has an all-fabric, tackable surface with frameless design, and comes in privacy and modesty sizes. Attachment hardware included.

### Notes

Privacy and modesty panel actual width is 2" less than specified width.  
Privacy screen (A) top edge aligns with the 42" high Canvas datum line; bottom edge is 4" below work surface.

Privacy & modesty screen (B) top edge aligns with the 42" high Canvas datum line; bottom edge is 9" below work surface.

Privacy screen (C) top edge aligns with the 46" high Canvas datum line; bottom edge is 4" below work surface.

Privacy & modesty screen (D) top edge aligns with the 46" high Canvas datum line; bottom edge is 9" below work surface.

Privacy screen (E) top edge aligns with the 53" high Canvas datum line; bottom edge is 4" below work surface.

Privacy & modesty screen (F) top edge aligns with the 53" high Canvas datum line; bottom edge is 9" below work surface.

Screens 54" wide and wider include an additional 1"-wide center mounting bracket.

Recommended mounting creates a 1" gap between back edge of surface and the screen to accommodate cable routing and the attachment or clamp-mounting of other hardware to the surface.

Optional cable management trough is only available when specifying privacy & modesty height option (B). Trough finish is graphite.

Attachment brackets are inset from edge of screen by approximately 8" and require 2 1/2" of work surface for attachment.

Attachment bracket finish is painted graphite.

Screen accepts Customer's Own Material (COM). Yardage is estimated for nondirectional 54"-wide fabrics.

For vertical fabric direction (T):

Height—Yardage

A—1.51

B—1.89

C—1.76

D—2.14

E—2.21

F—2.58

For horizontal fabric direction (R):

Width—Yardage

For heights A/B:

24—0.88

30—1.07

36—1.26

42—1.45

48—1.64

54—1.83

60—2.02

66—2.21

72—2.39

For heights C/D/E/F:

24—1.76

30—2.14

36—2.52

42—2.90

48—3.28

54—3.65

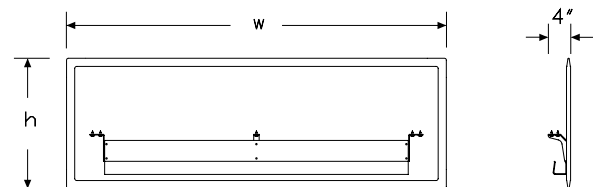
60—4.03

66—4.41

72—4.79

For information on multiple quantities or directional fabrics, contact COM Department. See Order Information in Appendices.

## Dimensions



# Pari Screen, Height Adjustable Tables *continued*

Thrive® Screens

## Specification Information

Step 1.

**Y1116.** A

Step 2. Height

<b>A</b>	privacy (42" high) <span style="border: 1px solid black; padding: 0 2px;">A</span>
<b>B</b>	privacy & modesty (42" high/ 9" below surface) <span style="border: 1px solid black; padding: 0 2px;">A</span>
<b>C</b>	privacy (46" high) <span style="border: 1px solid black; padding: 0 2px;">A</span>
<b>D</b>	privacy & modesty (46" high/ 9" below surface) <span style="border: 1px solid black; padding: 0 2px;">A</span>
<b>E</b>	privacy (53" high) <span style="border: 1px solid black; padding: 0 2px;">A</span>
<b>F</b>	privacy & modesty (53" high/ 9" below surface) <span style="border: 1px solid black; padding: 0 2px;">A</span>

Step 3. Width

<b>24</b>	24" wide <span style="border: 1px solid black; padding: 0 2px;">A</span>
<b>30</b>	30" wide <span style="border: 1px solid black; padding: 0 2px;">A</span>
<b>36</b>	36" wide <span style="border: 1px solid black; padding: 0 2px;">A</span>
<b>42</b>	42" wide <span style="border: 1px solid black; padding: 0 2px;">A</span>
<b>48</b>	48" wide <span style="border: 1px solid black; padding: 0 2px;">A</span>
<b>54</b>	54" wide <span style="border: 1px solid black; padding: 0 2px;">A</span>
<b>60</b>	60" wide <span style="border: 1px solid black; padding: 0 2px;">A</span>
<b>66</b>	66" wide <span style="border: 1px solid black; padding: 0 2px;">A</span>
<b>72</b>	72" wide <span style="border: 1px solid black; padding: 0 2px;">A</span>

Step 4. Surface Material

*For 24" wide (24), 30" wide (30), 36" wide (36), 42" wide (42), or 48" wide (48)*

<b>R</b>	tackable fabric, horizontal <span style="border: 1px solid black; padding: 0 2px;">A</span>
<b>T</b>	tackable fabric <span style="border: 1px solid black; padding: 0 2px;">A</span>

*For 54" wide (54), 60" wide (60), 66" wide (66), or 72" wide (72)*

<b>R</b>	tackable fabric, horizontal <span style="border: 1px solid black; padding: 0 2px;">A</span>
----------	---

Prices for Steps 1-4.

		R	T
<b>Y1116. A</b>	<b>24</b>	\$361	361
	<b>30</b>	\$419	419
	<b>36</b>	\$471	471
	<b>42</b>	\$518	518
	<b>48</b>	\$563	563
	<b>54</b>	\$601	—
	<b>60</b>	\$692	—
	<b>66</b>	\$725	—
	<b>72</b>	\$756	—

<b>B</b>	<b>24</b>	\$476	476
	<b>30</b>	\$544	544
	<b>36</b>	\$601	601
	<b>42</b>	\$650	650
	<b>48</b>	\$691	691
	<b>54</b>	\$727	—
	<b>60</b>	\$808	—
	<b>66</b>	\$834	—
<b>C</b>	<b>24</b>	\$365	365
	<b>30</b>	\$421	421
	<b>36</b>	\$482	482
	<b>42</b>	\$538	538
	<b>48</b>	\$594	594
	<b>54</b>	\$655	—
	<b>60</b>	\$731	—
	<b>66</b>	\$766	—
<b>D</b>	<b>24</b>	\$462	462
	<b>30</b>	\$518	518
	<b>36</b>	\$579	579
	<b>42</b>	\$634	634
	<b>48</b>	\$690	690
	<b>54</b>	\$751	—
	<b>60</b>	\$827	—
	<b>66</b>	\$863	—
<b>E</b>	<b>24</b>	\$513	513
	<b>30</b>	\$563	563
	<b>36</b>	\$609	609
	<b>42</b>	\$660	660
	<b>48</b>	\$746	746
	<b>54</b>	\$787	—
	<b>60</b>	\$807	—
	<b>66</b>	\$817	—
<b>F</b>	<b>24</b>	\$609	609
	<b>30</b>	\$660	660
	<b>36</b>	\$705	705
	<b>42</b>	\$756	756
	<b>48</b>	\$842	842
	<b>54</b>	\$883	—
	<b>60</b>	\$903	—
	<b>66</b>	\$914	—
<b>72</b>	\$929	—	

# Pari Screen, Height Adjustable Tables *continued*

## Step 5. Cable Trough

*For privacy & modesty (42" high/9" below surface) (B), privacy & modesty (46" high/9" below surface) (D), or privacy & modesty (53" high/9" below surface) (F)*

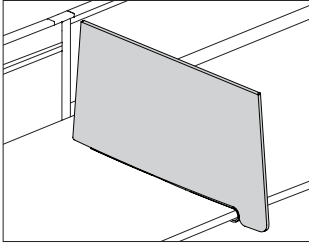
<b>NC</b>	no cable way <input type="checkbox"/>	+\$0
<b>CW</b>	cable way <input type="checkbox"/>	+\$25

## Step 6. Fabric

Price Category 1	+\$0
Price Category 2	+\$19
Price Category 3	+\$41
Price Category 4	+\$80
Price Category E	+\$152

# Personal Side Screen

Y1117.



Thrive® Screens

## Product Information

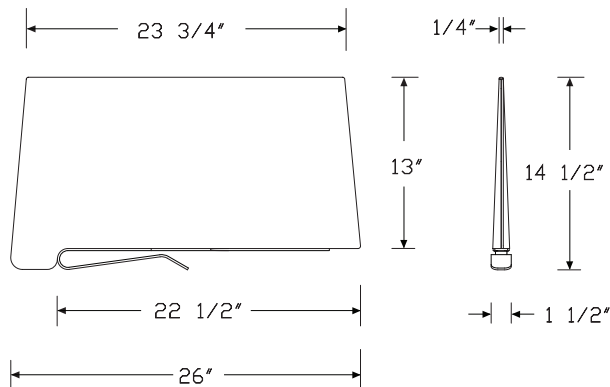
### Description

This side screen has a tackable surface and slips onto the front of most HermanMiller work surfaces to provide visual privacy on tables, benches, and systems product. It attaches without tools and can be secured in place with screws on the underside of the surface. Clamp finish is graphite.

### Notes

- Screen height is 13" above work surface.
- Screen is not compatible with Layout Studio®.
- Screen can be used with work surfaces up to 1 1/4" thick.
- Bottom of attachment bracket extends 1 1/2" below work surface.
- Screen accepts Customer's Own Material (COM). Yardage is estimated for nondirectional 54"-wide fabrics.
- For vertical fabric direction (T):  
Height—Yardage  
13—0.94
- For horizontal fabric direction (R):  
Height—Yardage  
13—1.00
- For information on multiple quantities or directional fabrics, contact COM Department. See Order Information in Appendices.

## Dimensions



## Specification Information

### Step 1.

Y1117. A

### Step 2. Height

13 13" high A

### Step 3. Surface Material

R tackable fabric, horizontal A

T tackable fabric A

### Prices for Steps 1-3.

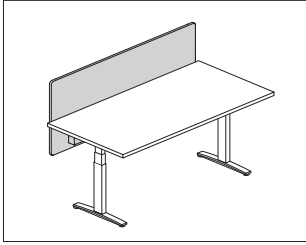
	R	T
Y1117. 13	\$343	343

### Step 4. Fabric

Price Category 1	+\$0
Price Category 2	+\$11
Price Category 3	+\$23
Price Category 4	+\$44

# Surface-Attached Screen, Flat Edge

Y1118.



## Product Information

### Description

This surface-attached tackable screen attaches to an individual table, desk, or work surface. It has a frameless all-fabric design with a flat edge, and comes in privacy and modesty sizes. Attachment hardware included.

### Notes

- Privacy and modesty panel actual width is 2" less than specified width.
- Privacy screen (A) top edge is 13" above top of work surface; bottom edge is 3<sup>3</sup>/<sub>4</sub>" below work surface.
- Privacy & modesty screen (B) top edge is 13" above top of work surface; bottom edge is 10" below work surface.
- Privacy screen (A) top edge aligns with the 42" high Canvas datum line; bottom edge is 4" below work surface.
- Privacy & modesty screen (B) top edge aligns with the 42" high Canvas datum line; bottom edge is 9" below work surface.
- Privacy screen (C) top edge aligns with the 46" high Canvas datum line; bottom edge is 4" below work surface.
- Privacy & modesty screen (D) top edge aligns with the 46" high Canvas datum line; bottom edge is 9" below work surface.
- Privacy screen (E) top edge aligns with the 53" high Canvas datum line; bottom edge is 4" below work surface.
- Privacy & modesty screen (F) top edge aligns with the 53" high Canvas datum line; bottom edge is 9" below work surface.
- Screens 54" wide and wider include an additional 1"-wide center mounting bracket.
- Recommended mounting creates a 1" gap between back edge of surface and the screen to accommodate cable routing and the attachment or clamp-mounting of other hardware to the surface.
- Optional cable management trough is only available when specifying privacy & modesty height option (B). Trough finish is graphite.
- Attachment brackets are inset from edge of screen by approximately 8" and require 2<sup>1</sup>/<sub>2</sub>" of work surface for attachment.
- Attachment bracket finish is painted graphite.

Screen accepts Customer's Own Material (COM). Yardage is estimated for nondirectional 54"-wide fabrics.

For vertical fabric direction (T):

Height—Yardage

A/C/E—1.51

B/D/F—1.84

For horizontal fabric direction (R):

Width—Yardage

24—0.89

30—1.08

36—1.25

42—1.45

48—1.64

54—1.84

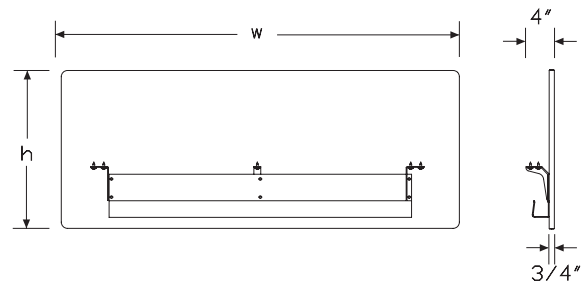
60—2.01

66—2.20

72—2.40

For information on multiple quantities or directional fabrics, contact COM Department. See Order Information in Appendices.

## Dimensions



# Surface-Attached Screen, Flat Edge *continued*

Thrive® Screens

## Specification Information

Step 1.

**Y1118.** A

Step 2. Height

<b>A</b>	privacy (42" high) <span style="border: 1px solid black; padding: 0 2px;">A</span>
<b>B</b>	privacy & modesty (42" high/ 9" below surface) <span style="border: 1px solid black; padding: 0 2px;">A</span>
<b>C</b>	privacy (46" high) <span style="border: 1px solid black; padding: 0 2px;">A</span>
<b>D</b>	privacy & modesty (46" high/ 9" below surface) <span style="border: 1px solid black; padding: 0 2px;">A</span>
<b>E</b>	privacy (53" high) <span style="border: 1px solid black; padding: 0 2px;">A</span>
<b>F</b>	privacy & modesty (53" high/ 9" below surface) <span style="border: 1px solid black; padding: 0 2px;">A</span>

Step 3. Width

<b>24</b>	24" wide <span style="border: 1px solid black; padding: 0 2px;">A</span>
<b>30</b>	30" wide <span style="border: 1px solid black; padding: 0 2px;">A</span>
<b>36</b>	36" wide <span style="border: 1px solid black; padding: 0 2px;">A</span>
<b>42</b>	42" wide <span style="border: 1px solid black; padding: 0 2px;">A</span>
<b>48</b>	48" wide <span style="border: 1px solid black; padding: 0 2px;">A</span>
<b>54</b>	54" wide <span style="border: 1px solid black; padding: 0 2px;">A</span>
<b>60</b>	60" wide <span style="border: 1px solid black; padding: 0 2px;">A</span>
<b>66</b>	66" wide <span style="border: 1px solid black; padding: 0 2px;">A</span>
<b>72</b>	72" wide <span style="border: 1px solid black; padding: 0 2px;">A</span>

Step 4. Surface Material

*For 24" wide (24), 30" wide (30), 36" wide (36), 42" wide (42), or 48" wide (48)*

<b>R</b>	tackable fabric, horizontal <span style="border: 1px solid black; padding: 0 2px;">A</span>
<b>T</b>	tackable fabric <span style="border: 1px solid black; padding: 0 2px;">A</span>

*For 54" wide (54), 60" wide (60), 66" wide (66), or 72" wide (72)*

<b>R</b>	tackable fabric, horizontal <span style="border: 1px solid black; padding: 0 2px;">A</span>
----------	---

Prices for Steps 1-4.

		<b>R</b>	<b>T</b>
<b>Y1118. A</b>	<b>24</b>	\$250	250
	<b>30</b>	\$271	271
	<b>36</b>	\$296	296
	<b>42</b>	\$323	323
	<b>48</b>	\$355	355
	<b>54</b>	\$386	—
	<b>60</b>	\$429	—
	<b>66</b>	\$480	—
	<b>72</b>	\$532	—

<b>B</b>	<b>24</b>	\$340	340
	<b>30</b>	\$367	367
	<b>36</b>	\$394	394
	<b>42</b>	\$421	421
	<b>48</b>	\$448	448
	<b>54</b>	\$475	—
	<b>60</b>	\$505	—
	<b>66</b>	\$548	—
	<b>72</b>	\$590	—
<b>C</b>	<b>24</b>	\$350	350
	<b>30</b>	\$405	405
	<b>36</b>	\$455	455
	<b>42</b>	\$500	500
	<b>48</b>	\$550	550
	<b>54</b>	\$600	—
	<b>60</b>	\$675	—
	<b>66</b>	\$710	—
	<b>72</b>	\$740	—
<b>D</b>	<b>24</b>	\$430	430
	<b>30</b>	\$480	480
	<b>36</b>	\$535	535
	<b>42</b>	\$600	600
	<b>48</b>	\$635	635
	<b>54</b>	\$690	—
	<b>60</b>	\$785	—
	<b>66</b>	\$800	—
	<b>72</b>	\$830	—
<b>E</b>	<b>24</b>	\$475	475
	<b>30</b>	\$520	520
	<b>36</b>	\$560	560
	<b>42</b>	\$605	605
	<b>48</b>	\$680	680
	<b>54</b>	\$695	—
	<b>60</b>	\$745	—
	<b>66</b>	\$760	—
	<b>72</b>	\$775	—
<b>F</b>	<b>24</b>	\$555	555
	<b>30</b>	\$605	605
	<b>36</b>	\$640	640
	<b>42</b>	\$695	695
	<b>48</b>	\$770	770
	<b>54</b>	\$805	—
	<b>60</b>	\$830	—
	<b>66</b>	\$845	—
	<b>72</b>	\$885	—



# Surface-Attached Screen, Flat Edge *continued*

## Step 5. Cable Trough

*For privacy & modesty (42" high/9" below surface) (B), privacy & modesty (46" high/9" below surface) (D), or privacy & modesty (53" high/9" below surface) (F)*

<b>NC</b>	no cable way <input type="checkbox"/>	+\$0
<b>CW</b>	cable way <input type="checkbox"/>	+\$25

## Step 6. Fabric

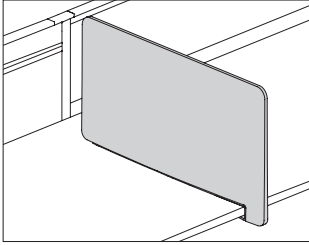
Price Category 1	+\$0
Price Category 2	+\$21
Price Category 3	+\$49
Price Category 4	+\$93
Price Category E	+\$152

*For tackable fabric, horizontal (R)*

Price Category 1	+\$0
Price Category 2	+\$21
Price Category 3	+\$49
Price Category 4	+\$93

# Personal Side Screen, Rectangular

Y1119.



Thrive® Screens

## Product Information

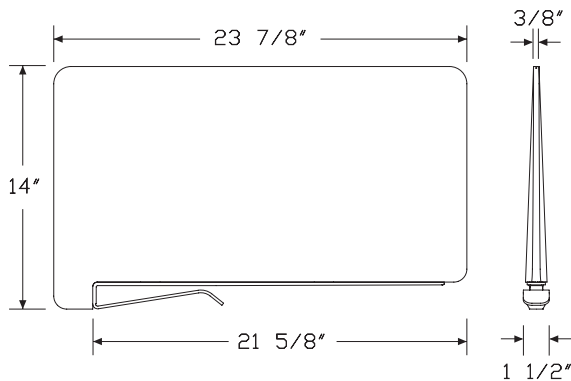
### Description

This side screen has a tackable surface and slips onto the front of most HermanMiller work surfaces to provide visual privacy on tables, benches, and systems product. It attaches without tools and can be secured in place with screws on the underside of the surface. Clamp finish is graphite.

### Notes

Screen height is 13" above work surface.  
 Screen is not compatible with Layout Studio®.  
 Screen can be used with work surfaces up to 1 1/4" thick.  
 Bottom of attachment bracket extends 1 1/2" below work surface.  
 Screen accepts Customer's Own Material (COM). Yardage is estimated for nondirectional 54"-wide fabrics.  
 For vertical fabric direction (T):  
 Height—Yardage  
 13—0.94  
 For horizontal fabric direction (R):  
 Height—Yardage  
 13—1.00  
 For information on multiple quantities or directional fabrics, contact COM Department. See Order Information in Appendices.

## Dimensions



## Specification Information

### Step 1.

Y1119. A

### Step 2. Height

13 13" high A

### Step 3. Surface Material

R tackable fabric, horizontal A

T tackable fabric A

### Prices for Steps 1-3.

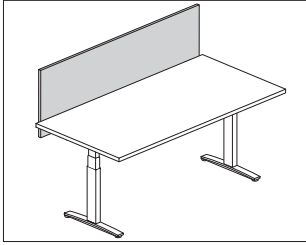
	R	T
Y1119. 13	\$335	335

### Step 4. Surface Finish

Price Category 1	+\$0
Price Category 2	+\$9
Price Category 3	+\$0
Price Category 4	+\$39

# Laminate Screen, Surface Attached

Y1120.



### Product Information

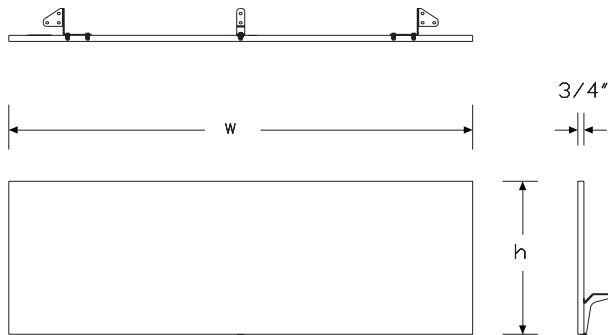
#### Description

This screen attaches to an individual height adjustable work surface. It has a laminate surface with frameless design and comes in privacy and modesty sizes. Attachment hardware included.

#### Notes

- Privacy and modesty panel actual width is 2" less than specified width.
- Privacy screen (13A) top edge aligns with the 42"-high Canvas datum line; bottom edge is 4" below work surface.
- Privacy & modesty screen (13B) top edge aligns with the 42"-high Canvas datum line; bottom edge is 11<sup>1</sup>/<sub>8</sub>" below work surface.
- Screens 54" wide and wider include an additional 1"-wide center mounting bracket.
- Recommended mounting creates a 1" gap between back edge of surface and the screen to accommodate cable routing and the attachment or clamp-mounting of other hardware to the surface.
- Optional cable management trough is only available when specifying privacy & modesty height option (13B). Trough finish is graphite.
- Attachment brackets are inset from edge of screen by approximately 8" and require 2<sup>1</sup>/<sub>2</sub>" of work surface for attachment.
- Attachment bracket finish is painted graphite.

#### Dimensions



### Specification Information

#### Step 1.

**Y1120.**

#### Step 2. Height

- 13A** privacy (13<sup>1</sup>/<sub>2</sub>" above worksurface)
- 13B** privacy & modesty (13<sup>1</sup>/<sub>2</sub>" above worksurface/11<sup>1</sup>/<sub>8</sub>" below worksurface)

#### Step 3. Width

- 24** 24" wide
- 30** 30" wide
- 36** 36" wide
- 42** 42" wide
- 48** 48" wide
- 54** 54" wide
- 60** 60" wide
- 66** 66" wide
- 72** 72" wide

#### Step 4. Surface Material

- L** laminate
- U** laminate/universal edge

#### Prices for Steps 1-4.

		<b>L</b>	<b>U</b>
<b>Y1120. 13A</b>	<b>24</b>	\$179	179
	<b>30</b>	\$188	188
	<b>36</b>	\$198	198
	<b>42</b>	\$208	208
	<b>48</b>	\$218	218
	<b>54</b>	\$227	227
	<b>60</b>	\$235	235
	<b>66</b>	\$243	243
	<b>72</b>	\$252	252
	<b>13B</b>	<b>24</b>	\$220
<b>30</b>		\$232	232
<b>36</b>		\$244	244
<b>42</b>		\$256	256
<b>48</b>		\$268	268
<b>54</b>		\$280	280
<b>60</b>		\$290	290
<b>66</b>		\$300	300
<b>72</b>		\$310	310

# Laminate Screen, Surface Attached *continued*

Thrive® Screens

## Step 5. Grain Direction

*For 24" wide (24), 30" wide (30), 36" wide (36), 42" wide (42), 48" wide (48), 54" wide (54), or 60" wide (60)*

<b>VTG</b>	vertical grain	+\$0
<b>HRG</b>	horizontal grain	+\$0

*For 66" wide (66) or 72" wide (72)*

<b>HRG</b>	horizontal grain	+\$0
------------	------------------	------

## Step 6. Cable Trough

*For privacy (13<sup>1</sup>/<sub>2</sub>" above worksurface) (13A)*

<b>NC</b>	no cable way	+\$0
-----------	--------------	------

*For privacy & modesty (13<sup>1</sup>/<sub>2</sub>" above worksurface/11<sup>1</sup>/<sub>8</sub>" below worksurface) (13B)*

<b>NC</b>	no cable way	+\$0
<b>CW</b>	cable way	+\$25

## Step 7. Surface Finish

<b>76</b>	light brown walnut	+\$0
<b>8Q</b>	folkstone grey	+\$0
<b>91</b>	white	+\$0
<b>98</b>	studio white	+\$0
<b>CL</b>	cool grey neutral	+\$0
<b>HM</b>	natural maple	+\$0
<b>HP</b>	light anigre	+\$0
<b>HX</b>	aged cherry	+\$0
<b>HY</b>	walnut on cherry	+\$0
<b>LA</b>	light ash	+\$0
<b>LBA</b>	clear on ash	+\$0
<b>LBR</b>	phantom ecru	+\$0
<b>LBS</b>	phantom cocoa	+\$0
<b>LBU</b>	medium matte walnut	+\$0
<b>LBV</b>	warm grey teak	+\$0
<b>LBB</b>	oak on ash	+\$0
<b>LBC</b>	walnut on ash	+\$0
<b>LBD</b>	dark brown walnut	+\$0
<b>LBE</b>	medium red walnut	+\$0
<b>LBF</b>	neutral twill	+\$0
<b>LBG</b>	sarum twill	+\$0
<b>LBH</b>	earthen twill	+\$0
<b>LBJ</b>	graphite twill	+\$0
<b>LBK</b>	pewter mesh	+\$0
<b>LBL</b>	steel mesh	+\$0
<b>LBM</b>	crisp linen	+\$0
<b>LBN</b>	classic linen	+\$0
<b>LBP</b>	casual linen	+\$0
<b>LBQ</b>	white twill	+\$0
<b>LU</b>	soft white	+\$0
<b>WL</b>	sandstone	+\$0
<b>WN</b>	warm grey neutral	+\$0

## Step 8. Edge Finish

*For laminate (L)*

<b>76</b>	light brown walnut	+\$0
<b>8Q</b>	folkstone grey	+\$0
<b>91</b>	white	+\$0
<b>98</b>	studio white	+\$0
<b>BU</b>	black umber	+\$0
<b>CL</b>	cool grey neutral	+\$0
<b>HF</b>	inner tone light	+\$0
<b>HM</b>	natural maple	+\$0
<b>HP</b>	light anigre	+\$0
<b>HX</b>	aged cherry	+\$0

## Laminate Screen, Surface Attached *continued*

<b>HY</b>	walnut on cherry	+\$0
<b>LA</b>	light ash	+\$0
<b>LBA</b>	clear on ash	+\$0
<b>LBR</b>	phantom ecru	+\$0
<b>LBS</b>	phantom cocoa	+\$0
<b>LBU</b>	medium matte walnut	+\$0
<b>LBV</b>	warm grey teak	+\$0
<b>LBB</b>	oak on ash	+\$0
<b>LBC</b>	walnut on ash	+\$0
<b>LBD</b>	dark brown walnut	+\$0
<b>LBE</b>	medium red walnut	+\$0
<b>LBF</b>	neutral twill	+\$0
<b>LBG</b>	sarum twill	+\$0
<b>LBH</b>	earthen twill	+\$0
<b>LBJ</b>	graphite twill	+\$0
<b>LBK</b>	pewter mesh	+\$0
<b>LBL</b>	steel mesh	+\$0
<b>LBM</b>	crisp linen	+\$0
<b>LBN</b>	classic linen	+\$0
<b>LBP</b>	casual linen	+\$0
<b>LBQ</b>	white twill	+\$0
<b>LU</b>	soft white	+\$0
<b>MT</b>	medium tone	+\$0
<b>WL</b>	sandstone	+\$0
<b>WN</b>	warm grey neutral	+\$0

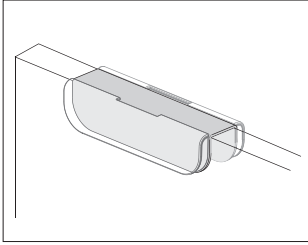
---

*For laminate/universal edge (U)*

<b>PLY</b>	plywood edge	+\$50
------------	--------------	-------

# Name Tag Clip

Y1121.



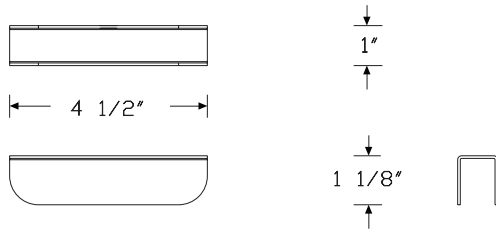
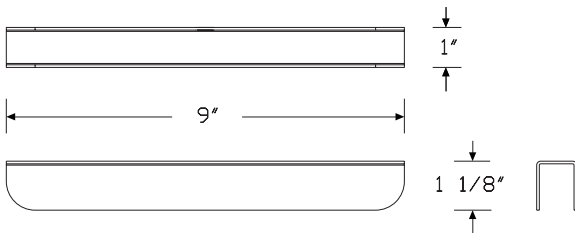
Thrive® Screens

## Product Information

**Description**  
This metal name tag clip hangs on surface-attached laminate screens. It can hold 2 or 4 name tags.

**Notes**  
The 2-name-tag clip (2) holds 2 magnetic name tags (YT410.05M) in a back-to-back orientation.  
The 4-name-tag clip (4) holds 2 magnetic name tags (YT410.05M) side-by-side on the front side, and 2 side-by-side on the back side.  
Name tag clip can hang on any HermanMiller laminate screen.  
Order magnetic name tag (YT410.05M) separately.  
Order name tag insert for magnetic name tag (O.YT1900) separately through Sales Source.

## Dimensions



## Specification Information

**Step 1.**

**Y1121.** A

**Step 2. Screen Type**

**L** laminate A

**Step 3. Application**

**2** 2 magnetic name tags A

**4** 4 magnetic name tags A

**Prices for Steps 1-3.**

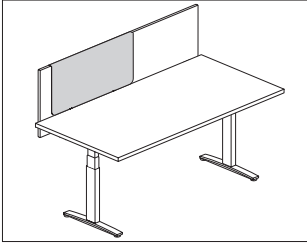
	2	4
<b>Y1121. L</b>	\$18	25

**Step 4. Screen Finish**

**91** white A +\$0

**G1** graphite A +\$0

**MS** metallic silver A +\$0



**Product Information**

**Description**

This metal board hangs on surface-attached laminate screens. It has a frameless, all-metal design with a straight edge. It accepts magnets and can be dry-erase marker writable when used with the magnetic marker board.

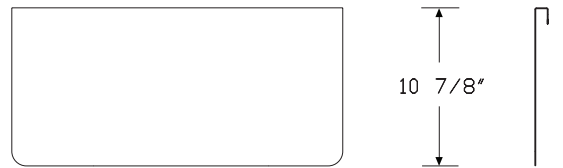
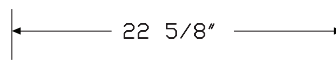
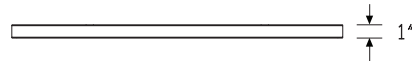
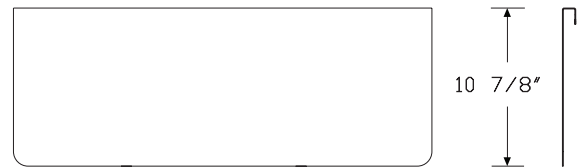
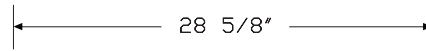
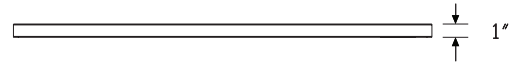
**Notes**

Metal board can hang on any HermanMiller laminate screen.

Order the following accessories separately:

- Magnetic document clip (YT400.)
- Magnetic name tag (YT410.05M)
- Magnetic marker board (YT450.)

**Dimensions**



# Metal Board, Screen Attached

continued

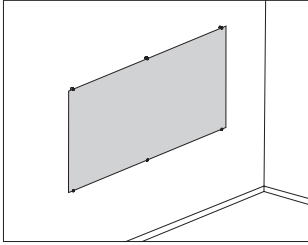
Thrive® Screens

Specification Information			
Step 1.			
<b>Y1122.</b>	<input type="checkbox"/>	<input type="checkbox"/>	
Step 2. Screen Type			
<b>L</b>	laminate	<input type="checkbox"/>	
Step 3. Height			
<b>A</b>	11" high	<input type="checkbox"/>	
Step 4. Width			
<b>24</b>	24" wide	<input type="checkbox"/>	
<b>30</b>	30" wide	<input type="checkbox"/>	
Prices for Steps 1-4.			
		<b>24</b>	<b>30</b>
<b>Y1122. L A</b>		\$96	106
Step 5. Screen Finish			
<b>91</b>	white	<input type="checkbox"/>	+\$0
<b>G1</b>	graphite	<input type="checkbox"/>	+\$0
<b>MS</b>	metallic silver	<input type="checkbox"/>	+\$0



# Glass White Board

Y7232.



### Product Information

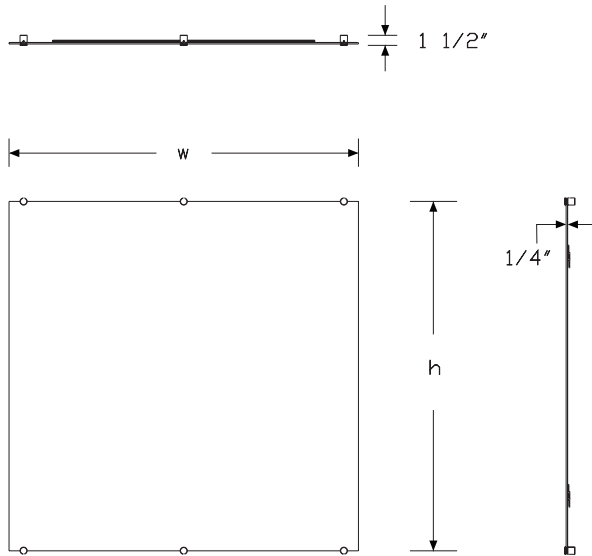
#### Description

This glass white board is designed to mount to an architectural wall. It provides writable surface that can be magnetic or nonmagnetic.

#### Notes

Attachment hardware not included. Hardware depends on type of wall intended for attachment.  
Use rare-earth magnets if ordering the magnetic white board (M) option.

#### Dimensions



### Specification Information

#### Step 1.

**Y7232.**

#### Step 2. Corner Profile

**S** square corner

#### Step 3. Height

**24** 24" high  
**36** 36" high  
**48** 48" high

#### Step 4. Width

##### For 24" high (24)

**36** 36" wide

##### For 36" high (36)

**48** 48" wide

##### For 48" high (48)

**48** 48" wide  
**60** 60" wide  
**72** 72" wide  
**96** 96" wide

#### Step 5. Type

**M** magnetic  
**N** non-magnetic

#### Prices for Steps 1-5.

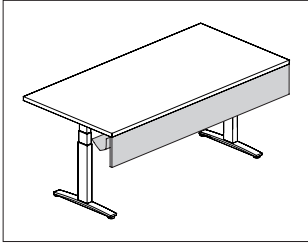
		36M	36N	48M	48N	60M	60N
<b>Y7232. S</b>	<b>24</b>	\$775	721	—	—	—	—
	<b>36</b>	—	—	\$1600	1488	—	—
	<b>48</b>	—	—	\$2300	2139	2900	2697
				72M	72N	96M	96N
<b>Y7232. S</b>	<b>48</b>			\$3500	3255	4650	4325

#### Step 6. Attachment Method

**1** edge grip clip +\$0  
**2** rear hanger bracket +\$0

# Modesty Panel

Y1113.



Thrive® Screens

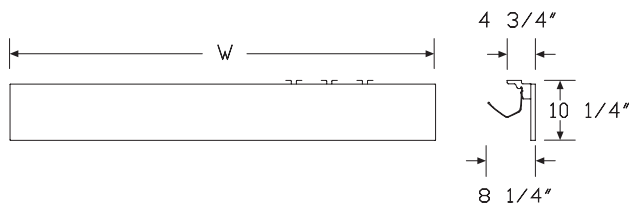
## Product Information

**Description**  
 This modesty panel attaches to a table, desk, peninsula, or work surface. It has a solid MDF core with a laminate or veneer surface, aluminum top rail and attachment brackets. Cable trough is optional. Attachment hardware included.

## Notes

Specify modesty panel to be equal to surface width, or 6" less than surface width of a height adjustable table.  
 Modesty panel dimension is approximately 10" high with width specified in step 1. Actual width 1/4" less than specified value.  
 Modesty panel is field installed.  
 Brackets are located to work with Connect™ 2-circuit power system.  
 Modesty panel (Y1113.) may impede ideal folding functionality of flip top table (DT5Ax.). For use with flip top table, modesty panel (Y1114.) is recommended. It comes only with a fabric surface.

## Dimensions



## Specification Information

### Step 1.

**Y1113.**

### Step 2. Width

<b>24</b>	24" wide
<b>30</b>	30" wide
<b>36</b>	36" wide
<b>42</b>	42" wide
<b>48</b>	48" wide
<b>54</b>	54" wide
<b>60</b>	60" wide
<b>66</b>	66" wide
<b>72</b>	72" wide

### Step 3. Cable Trough

<b>N</b>	without added cable trough
<b>Y</b>	with added cable trough

### Step 4. Surface Material

<b>L</b>	laminate top/thermoplastic edge
<b>W</b>	veneer top/veneer edge

### Prices for Steps 1-4.

		L	W
<b>Y1113. 24</b>	<b>N</b>	\$191	339
	<b>Y</b>	\$340	505
<b>30</b>	<b>N</b>	\$208	381
	<b>Y</b>	\$386	577
<b>36</b>	<b>N</b>	\$227	423
	<b>Y</b>	\$420	635
<b>42</b>	<b>N</b>	\$246	466
	<b>Y</b>	\$463	702
<b>48</b>	<b>N</b>	\$264	508
	<b>Y</b>	\$506	770
<b>54</b>	<b>N</b>	\$284	550
	<b>Y</b>	\$549	838
<b>60</b>	<b>N</b>	\$302	592
	<b>Y</b>	\$592	905
<b>66</b>	<b>N</b>	\$302	633
	<b>Y</b>	\$634	972
<b>72</b>	<b>N</b>	\$327	675
	<b>Y</b>	\$676	1039

## Modesty Panel *continued*

---

### Step 5. Finish

---

#### *For laminate top/thermoplastic edge (L)*

---

<b>8Q</b>	folkstone grey	+\$0
<b>91</b>	white	+\$0
<b>LU</b>	soft white	+\$0
<b>WL</b>	sandstone	+\$0
<b>WN</b>	warm grey neutral	+\$0

---

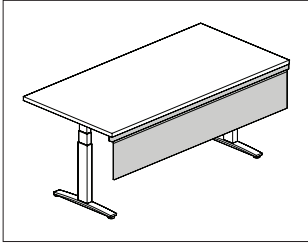
#### *For veneer top/veneer edge (W)*

---

<b>2U</b>	light brown walnut	+\$0
<b>40</b>	dark brown walnut	+\$0
<b>UL</b>	natural maple	+\$0

# Fabric Modesty Panel

Y1114.



## Product Information

### Description

This modesty panel attaches to a table, desk, peninsula, or work surface. It has a fabric surface with aluminum top rail and attachment brackets. Attachment hardware included.

### Notes

Specify modesty panel to be equal to surface width, or 6" less than surface width of a height adjustable table.

For use with flip top table (DT5Ax.), modesty panel (Y1114.) is recommended to enable optimal folding functionality of the table.

### Dimensions



## Specification Information

### Step 1.

Y1114.  A

### Step 2. Width

- 24 24" wide  A
- 30 30" wide  A
- 36 36" wide  A
- 42 42" wide  A
- 48 48" wide  A
- 54 54" wide  A
- 60 60" wide  A
- 66 66" wide  A
- 72 72" wide  A

### Prices for Steps 1-2.

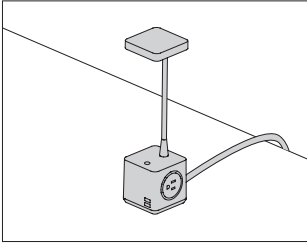
Y1114. 24	\$175
30	\$190
36	\$206
42	\$218
48	\$233
54	\$262
60	\$275
66	\$290
72	\$301

### Step 3. Fabric

Price Category 1 + \$0

# Cubert Task Light

Y6475.

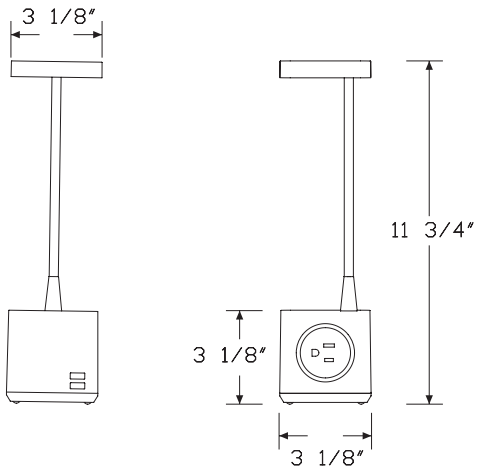


### Product Information

#### Description

This freestanding task light provides light and power for personal devices. It comes complete with 2 smart charging USB ports and 2 simplex receptacles. The first USB device plugged in charges at 1.5 amps and the second USB device plugged in charges at 0.5 amps. LED provides 426 Lumens and has a 4-stage touch sensitive dimming feature. The unit has an automatic shutoff after 4 hours.

#### Dimensions



### Specification Information

Step 1.

**Y6475.**  A

Step 2. USB Configuration

**A** two standard type A USB ports  A

Step 3. Attachment

**FR** freestanding  A

Prices for Steps 1-3.

	<b>FR</b>
<b>Y6475. A</b>	\$546

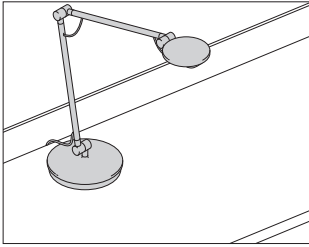
Step 4. Finish

**OJ** white  A + \$0

Thrive® Personal Lighting

# Tone™ Personal Light

Y6480.



Thrive® Personal Lighting

## Product Information

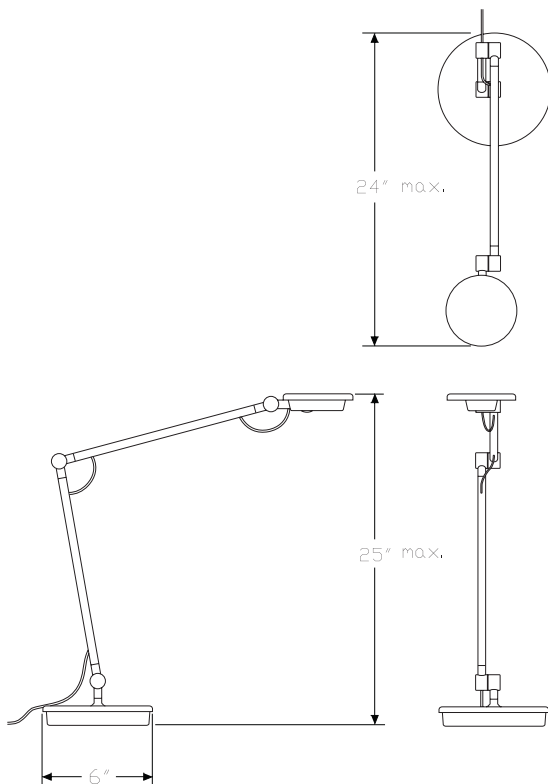
### Description

This articulating LED task light sits freestanding, clamps to a surface, mounts on a Layout Studio® performance rail, or mounts on a rail tile. This light swivels 360° at the base while articulating joints at the base, head, and midsection give precise control over the lighted area. The energy-efficient light-emitting diode (LED) has a 3500 Kelvin color temperature that consumes slightly more than 6 watts of power at full output. The light can be dimmed dynamically by the user down to 15% of full power, includes an integrated touch switch, and has a 12' cord. UL listed power supply is included.

### Notes

Light has energy saving auto shutoff feature after 9 hours of use.  
When specifying rail tile option (TR), it is suggested to mount close to the surface.

### Dimensions



## Specification Information

### Step 1.

**Y6480.**

### Step 2. Attachment Bracket

<b>CM</b>	surface clamp
<b>FR</b>	freestanding
<b>LSR</b>	Layout Studio performance rail <span style="border: 1px solid black; padding: 0 2px;">A</span>
<b>TR</b>	rail tile

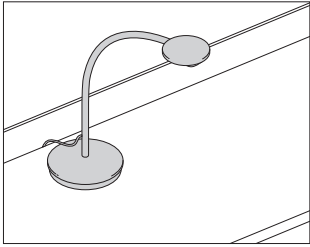
### Prices for Steps 1-2.

<b>Y6480. CM</b>	\$417
<b>FR</b>	\$417
<b>LSR</b>	\$409
<b>TR</b>	\$417

### Step 3. Finish

<b>91</b>	white	+\$0
<b>G2</b>	graphite satin	+\$0
<b>MS</b>	metallic silver	+\$0

Tone™ Single-Arm Personal Light Y6481.



**Product Information**

**Description**

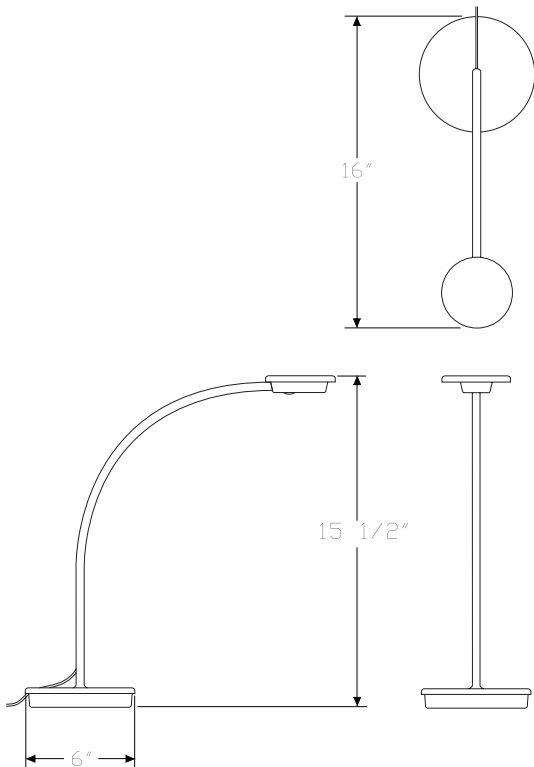
This single-arm LED task light sits freestanding, clamps to a surface, or mounts on a rail tile. This light swivels 360° at the base while keeping it at a constant height from the surface. The energy-efficient light-emitting diode (LED) has a 3500 Kelvin color temperature that consumes slightly more than 6 watts of power at full output. The light can be dimmed dynamically by the user down to 15% of full power, includes an integrated touch switch, and has a 12' cord. UL listed power supply is included.

**Notes**

Light has energy saving auto shutoff feature after 9 hours of use.

When specifying rail tile option (TR), it is suggested to mount close to the surface.

**Dimensions**



**Specification Information**

**Step 1.**

**Y6481.**

**Step 2. Attachment Bracket**

- CM** surface clamp
- FR** freestanding
- TR** rail tile

**Prices for Steps 1-2.**

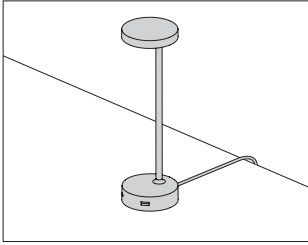
<b>Y6481. CM</b>	\$363
<b>FR</b>	\$363
<b>TR</b>	\$363

**Step 3. Finish**

<b>91</b> white	+\$0
<b>G2</b> graphite satin	+\$0
<b>MS</b> metallic silver	+\$0

# Lolly Task Light

Y6465.

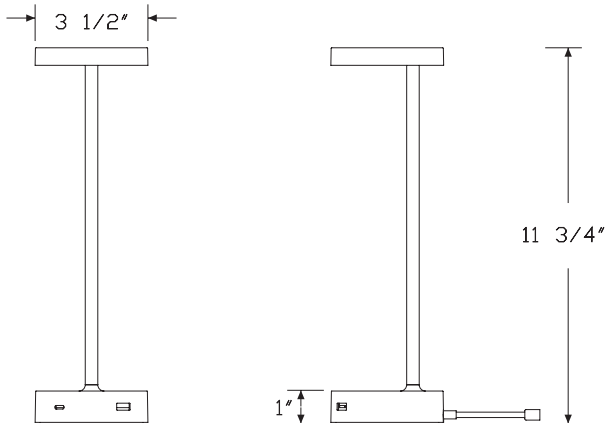


## Product Information

### Description

This freestanding task light provides light and USB charging for personal devices. It has 1 standard Type A USB port and 1 Type C USB port. The Type A USB port charges at 2.4 amps. The Type C USB port charges at 3 amps and provides USB Power Delivery charging technology. When used with USB-C cables and connectors, it will deliver higher levels of power to your devices. LED provides 450 lumens and has a 4-stage touch sensitive dimming feature. The light has an automatic shutoff after 4 hours.

### Dimensions



Thrive® Personal Lighting

## Specification Information

### Step 1.

**Y6465.**  A

### Step 2. USB Configuration

**B** one standard type A USB port and one type C USB port  A

### Step 3. Attachment

**FR** freestanding  A

### Prices for Steps 1-3.

	<b>FR</b>
<b>Y6465. B</b>	\$310

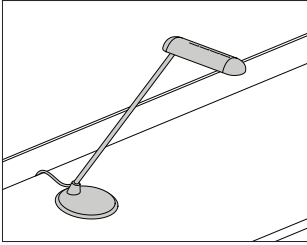
### Step 4. Finish

<b>OH</b> black <input type="checkbox"/> A	+ \$0
<b>OJ</b> white <input type="checkbox"/> A	+ \$0



# Flute™ Personal Light

Y6470.



## Product Information

### Description

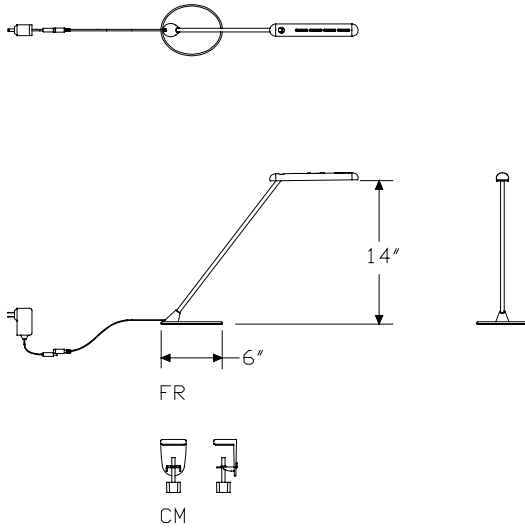
This light sits freestanding or clamps to a surface. It has 1 energy-efficient light-emitting diode (LED) with a 3500 Kelvin color temperature that consumes 4.7 watts of power. The light has an 11' cord. UL listed and UL Canada listed.

Light head swivels 230°. Clamp mount option (CM) swivels 360° at the base.

### Notes

Light meets local codes including Canada, New York City, and Chicago.

### Dimensions



## Specification Information

### Step 1.

**Y6470.**

### Step 2. Attachment Bracket

**CM** surface clamp  
**FR** freestanding

### Prices for Steps 1-2.

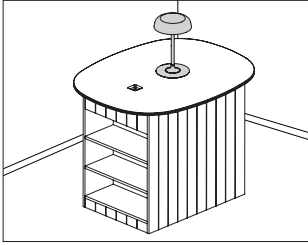
<b>Y6470. CM</b>	\$329
<b>FR</b>	\$329

### Step 3. Finish

<b>91</b> white	+\$0
<b>G2</b> graphite satin	+\$0
<b>MS</b> metallic silver	+\$0

# Ode Desk Lamp

Y6485.

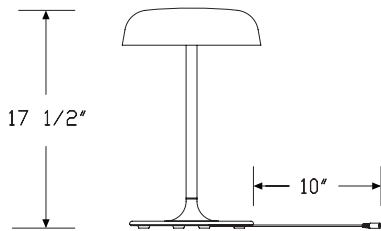
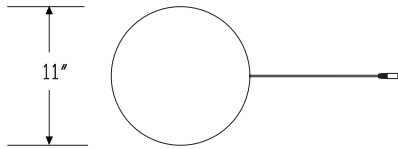


## Product Information

### Description

This LED occasional lamp sits freestanding at desk or table height. It turns on to full power by touching the base or stem. Touch once more to dim to 50%. Touch again to turn the lamp off. The energy-efficient light emitting diode (LED) has a 2700° Kelvin color temperature and CRI of 80+. Lamp is ETL listed to the UL standard.

### Dimensions



## Specification Information

### Step 1.

**Y6485.**  A

### Step 2. Base

**FG** freestanding  A

### Prices for Steps 1-2.

**Y6485. FG** \$561

### Step 3. Finish

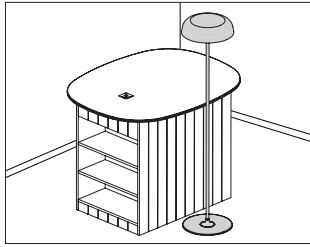
**91** white  A + \$0

**BK** black  A + \$0

Thrive® Occasional Lighting

# Ode Freestanding Floor Lamp

Y6486.

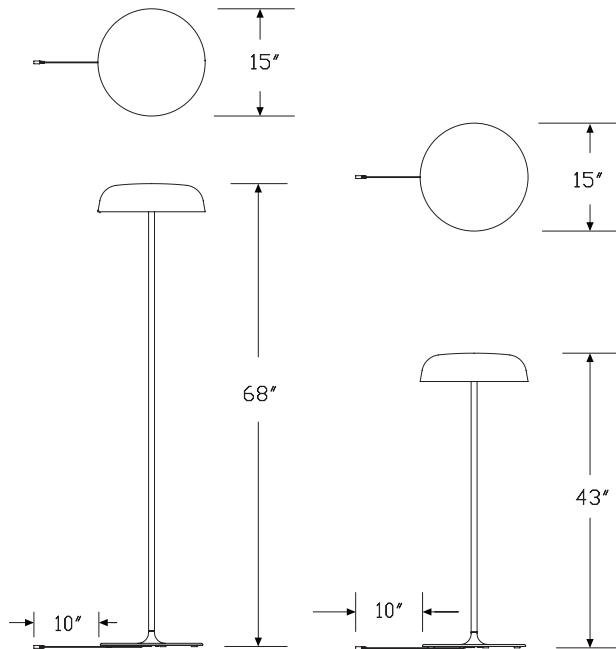


## Product Information

### Description

This LED occasional lamp sits freestanding at sofa or standing height. It turns on to full power by touching the base or stem. Touch once more to dim to 50%. Touch again to turn the lamp off. The energy-efficient light emitting diode (LED) has a 2700° Kelvin color temperature and CRI of 80+. Lamp is ETL listed to the UL standard.

### Dimensions



## Specification Information

### Step 1.

**Y6486.**  A

### Step 2. Height

**FF** floor full standing  A

**FS** floor sofa standing  A

### Prices for Steps 1-2.

<b>Y6486. FF</b>	\$955
<b>FS</b>	\$924

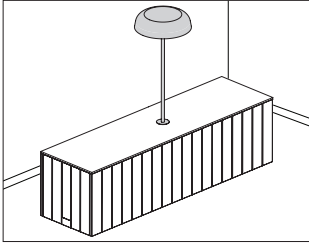
### Step 3. Finish

<b>91</b> white <input type="checkbox"/> A	+\$0
<b>BK</b> black <input type="checkbox"/> A	+\$0

Thrive® Occasional Lighting

# Ode Surface-Integrated Lamp

Y6487.



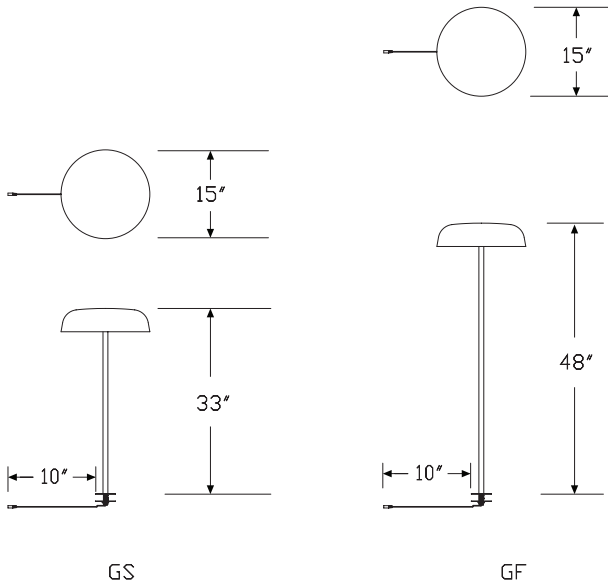
## Product Information

### Description

This LED occasional lamp is integrated into a surface and is available in sofa or standing height. It turns on to full power by touching the base or stem. Touch once more to dim to 50%. Touch again to turn the lamp off. The energy-efficient light emitting diode (LED) has a 2700° Kelvin color temperature and CRI of 80+. Lamp is ETL listed to the UL standard.

### Dimensions

Thrive® Occasional Lighting



## Specification Information

### Step 1.

**Y6487.** A

### Step 2. Height

**GF** surface-integrated full standing 48" A

**GS** surface-integrated sofa standing 33" A

### Prices for Steps 1-2.

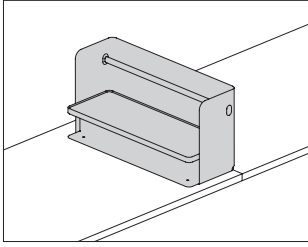
<b>Y6487. GF</b>	\$773
<b>GS</b>	\$743

### Step 3. Finish

<b>91</b> white <span style="border: 1px solid black; padding: 0 2px;">A</span>	+\$0
<b>BK</b> black <span style="border: 1px solid black; padding: 0 2px;">A</span>	+\$0

# Small Organizer

YT100.



### Product Information

#### Description

This small organizer rests on the surface. It has a painted metal shelf and rod for attaching and holding accessory products and other items. The steel frame allows magnetic attachment of the document clip and name tag. The container accessories fit on the organizer above or below the shelf. The USB power module attaches to the underside of the shelf. The rod bookend attaches to the rod. Rod finish matches organizer finish.

#### Notes

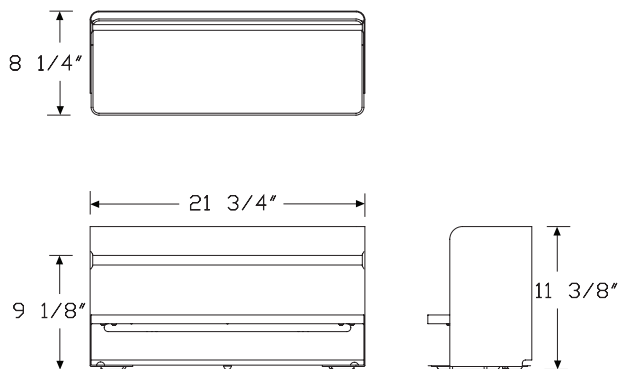
Order the following accessories separately:

- Magnetic document clip (YT400.)
- Name tag (YT410.)
- USB power module (YT420.)
- Rod bookend (YT440.)
- Organizer liner (YT500.)
- Short bin (YT800.)
- Square pencil cup (YT820.)
- Round pencil cup (YT825.)
- Tray (YT830.)
- Box (YT840.)

Order surface clamp for organizers (YT460.) separately.

Small organizer is recommended for use on Renew™ Link single-sided and back-to-back rectangular height-adjustable benches (DU1A, DU2A). It is not recommended for use on Renew Link back-to-back trapezoid height-adjustable bench (DU2T).

#### Dimensions



### Specification Information

#### Step 1.

**YT100.**

#### Step 2. Height

**11** 11" high

#### Step 3. Width

**08** 8" wide

#### Step 4. Depth

**22** 22" deep

#### Step 5. Shelf Material

**M** painted metal

**L** insert liner

#### Prices for Steps 1-5.

	<b>22M</b>	<b>22L</b>
<b>YT100. 11 08</b>	\$411	494

#### Step 6. Organizer Finish

**91** white  +\$0

**98** studio white  +\$0

**G1** graphite  +\$0

**MS** metallic silver  +\$0

#### Step 7. Insert Liner Finish

For insert liner (L)

**1HS01** hush canyon  +\$0

**1HS02** hush pesto  +\$0

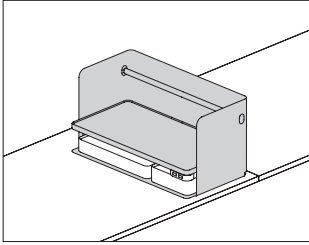
**1HS03** hush bayou  +\$0

**1HS04** hush greystone  +\$0

**1HS05** hush charcoal  +\$0

# Large Organizer

YT150.



## Product Information

### Description

This large organizer rests on the surface. It has a painted metal shelf and rod for attaching and holding accessory products and other items. The steel frame allows magnetic attachment of the document clip and name tag. The accessory containers fit on the organizer above or below the shelf. The USB power module attaches to the underside of the shelf. The rod bookend attaches to the rod. Rod finish matches organizer finish.

### Notes

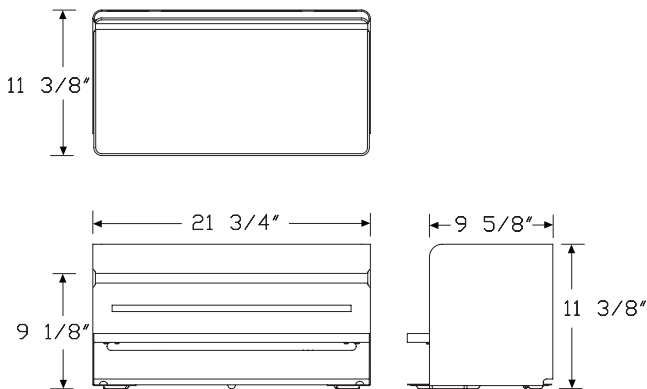
Order the following accessories separately:

- Magnetic document clip (YT400.)
- Name tag (YT410.)
- USB power module (YT420.)
- Rod bookend (YT440.)
- Organizer liner (YT500.)
- Short bin (YT800.)
- Square pencil cup (YT820.)
- Round pencil cup (YT825.)
- Tray (YT830.)
- Box (YT840.)

Order surface clamp for organizers (YT460.) separately.

Large organizer is recommended for use on Renew™ Link single-sided and back-to-back rectangular height-adjustable benches (DU1A, DU2A). It is not recommended for use on Renew Link back-to-back trapezoid height-adjustable bench (DU2T).

### Dimensions



## Specification Information

### Step 1.

**YT150.** A

### Step 2. Height

**11** 11" high A

### Step 3. Width

**11** 11" wide A

### Step 4. Depth

**22** 22" deep A

### Step 5. Shelf Material

**M** painted metal A

**L** insert liner A

### Prices for Steps 1-5.

	<b>22M</b>	<b>22L</b>
<b>YT150. 11 11</b>	\$471	565

### Step 6. Organizer Finish

<b>91</b> white <span style="border: 1px solid black; padding: 0 2px;">A</span>	+\$0
<b>98</b> studio white <span style="border: 1px solid black; padding: 0 2px;">A</span>	+\$0
<b>G1</b> graphite <span style="border: 1px solid black; padding: 0 2px;">A</span>	+\$0
<b>MS</b> metallic silver <span style="border: 1px solid black; padding: 0 2px;">A</span>	+\$0

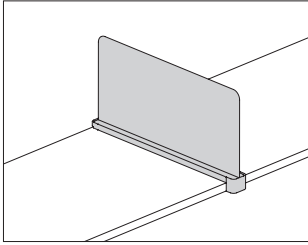
### Step 7. Insert Liner Finish

For insert liner (L)

<b>1HS01</b> hush canyon <span style="border: 1px solid black; padding: 0 2px;">A</span>	+\$0
<b>1HS02</b> hush pesto <span style="border: 1px solid black; padding: 0 2px;">A</span>	+\$0
<b>1HS03</b> hush bayou <span style="border: 1px solid black; padding: 0 2px;">A</span>	+\$0
<b>1HS04</b> hush greystone <span style="border: 1px solid black; padding: 0 2px;">A</span>	+\$0
<b>1HS05</b> hush charcoal <span style="border: 1px solid black; padding: 0 2px;">A</span>	+\$0

# Slim Screen

YT200.



## Product Information

### Description

This screen clamps to the front and back of a surface and is movable without tools. Steel screen allows for attachment of the magnetic document clip, name tag, and magnetic marker board. Screen comes with a ledge liner in a choice of colors.

### Notes

Clamp attaches to square edge surfaces with minimum 1" or 1 1/8" nominal thickness.

No HermanMiller legs interfere with the clamp.

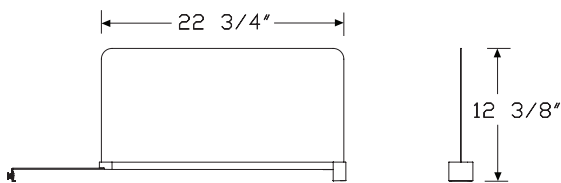
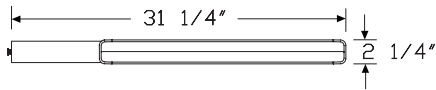
Screen can be mounted to surfaces 24"-36" deep. 24" deep screen (24) can be adjusted to fit up to a 30" deep work surface. 30" deep screen (30) can be adjusted to fit up to a 36" deep work surface.

Order the following accessories separately:

- Magnetic document clip (YT400.)
- Name tag (YT410.)
- Magnetic marker board (YT450.)
- Slim screen liner (YT540.)

Slim screen is recommended for use on Renew™ Link single-sided and back-to-back rectangular height-adjustable benches (DU1A, DU2A). It is not recommended for use on Renew Link back-to-back trapezoid height-adjustable bench (DU2T).

## Dimensions



## Specification Information

### Step 1.

**YT200.**  A

### Step 2. Height

**11** 11" high  A

### Step 3. Width

**02** 2" wide  A

### Step 4. Depth

**24** 24" deep  A

**30** 30" deep  A

### Step 5. Attachment Type

**S** surface clamp  A

### Step 6. Ledge Material

**L** liner  A

### Prices for Steps 1-6.

	<b>24SL</b>	<b>30SL</b>
<b>YT200. 11 02</b>	\$290	302

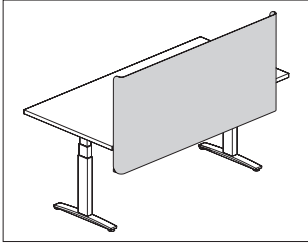
### Step 7. Screen Finish

<b>91</b> white <input type="checkbox"/> A	+\$0
<b>98</b> studio white <input type="checkbox"/> A	+\$0
<b>G1</b> graphite <input type="checkbox"/> A	+\$0
<b>MS</b> metallic silver <input type="checkbox"/> A	+\$0

### Step 8. Ledge Liner Finish

<b>1HS01</b> hush canyon <input type="checkbox"/> A	+\$0
<b>1HS02</b> hush pesto <input type="checkbox"/> A	+\$0
<b>1HS03</b> hush bayou <input type="checkbox"/> A	+\$0
<b>1HS04</b> hush greystone <input type="checkbox"/> A	+\$0
<b>1HS05</b> hush charcoal <input type="checkbox"/> A	+\$0

**Metal Straight Screen, Surface Attached with Modesty** YT250.



**Product Information**

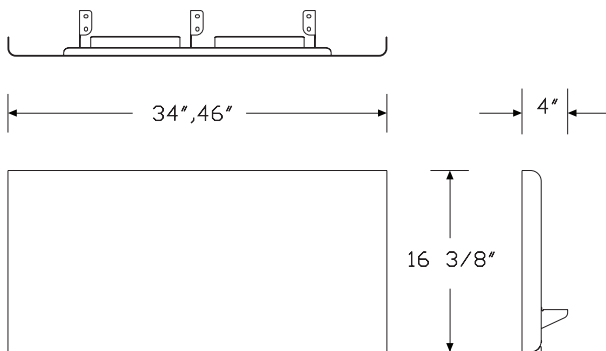
**Description**

This metal screen attaches to an individual table, desk, stationary or height-adjustable work surface. It has a frameless all-metal design with a straight edge and includes a modesty panel. Screen has built-in ledge to support documents when used with the magnetic document clip. Screen accepts magnets. Attachment hardware included.

**Notes**

Screen top edge is 11.375" above top of work surface; bottom edge is 3.8" below work surface.  
 Recommended mounting creates a 1" gap between back edge of surface and the screen to accommodate cable routing and the attachment or clamp-mounting of other hardware to the surface.  
 Attachment brackets are inset from edge of screen by approximately 6 1/2" and require 2 1/2" of work surface for attachment.  
 Attachment bracket finish matches specified screen finish.  
 Order magnetic document clip (YT400.) separately.

**Dimensions**



**Specification Information**

**Step 1.**

**YT250.** [A]

**Step 2. Height**

**A** 11" high [A]

**Step 3. Width**

**34** 34" wide [A]

**46** 46" wide [A]

**Prices for Steps 1-3.**

	<b>34</b>	<b>46</b>
<b>YT250. A</b>	\$300	320

**Step 4. Screen Finish**

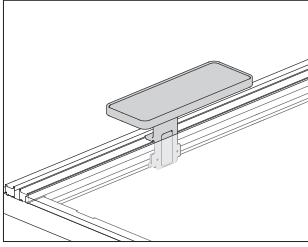
<b>91</b> white [A]	+\$0
<b>G1</b> graphite [A]	+\$0
<b>MS</b> metallic silver [A]	+\$0

Thrive® Work Tools



# Shelf

YT300.



### Product Information

#### Description

This painted metal shelf comes in 4 sizes and mounts to a surface along the back edge, or to a Layout Studio® performance rail. Both attachment types are user movable without tools. The backdrop is optional, and can be easily retrofitted in the field. Backdrop and rod finish match shelf finish. Space under the shelf can accommodate accessory boxes. Shelf comes with a liner in a choice of colors.

#### Notes

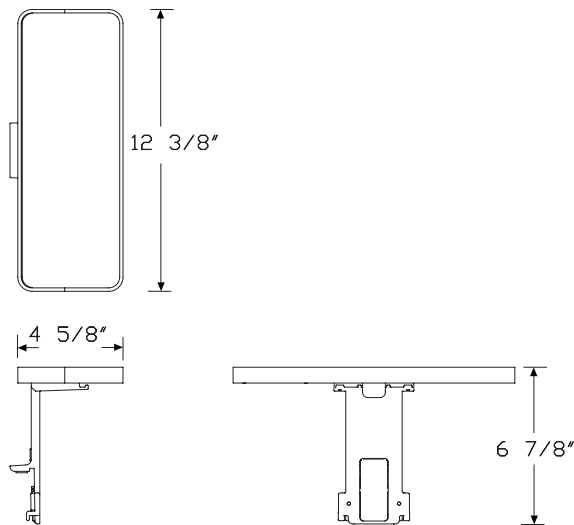
Changing the attachment type on an existing shelf is not easily completed in the field.

Order the following accessories separately:

- Name tag (YT410.)
- USB power module (YT420.)
- Rod bookend (YT440.) for 8" shelf depth only
- Short bin (YT800.)
- Small box (YT840.S)
- Square pencil cup (YT820.)
- Round pencil cup (YT825.)
- Shelf liner (YT510.)

Shelf and backdrop are not recommended for use on Public Office Landscape® desks (BVD1.) in the back-to-back configuration.

#### Dimensions



### Specification Information

#### Step 1.

**YT300.**  A

#### Step 2. Height

**04** 4" high  A

#### Step 3. Width

**12** 12" wide  A

**15** 15" wide  A

**22** 22" wide  A

#### Step 4. Depth

##### For 12" wide (12)

**05** 5" deep  A

##### For 15" wide (15)

**08** 8" deep  A

##### For 22" wide (22)

**05** 5" deep  A

**08** 8" deep  A

#### Step 5. Attachment Type

**S** surface clamp stanchion  A

**R** rail mount stanchion for Layout Studio Performance Rail  A

#### Step 6. Backdrop

**N** no backdrop  A

**B** backdrop  A

#### Step 7. Shelf Material

**M** painted metal  A

**L** insert liner  A

#### Prices for Steps 1-7.

		05SNM	05SNL	05SBM	05SBL	05RNM	05RNL
YT300.	04 12	\$178	233	266	321	178	233
	22	\$212	290	325	403	212	290
		05RBM	05RBL	08SNM	08SNL	08SBM	08SBL
YT300.	04 12	\$266	321	—	—	—	—
	15	—	—	\$192	253	290	350
	22	\$325	403	229	312	342	425

# Shelf *continued*

	08RNM	08RNL	08RBM	08RBL
<b>YT300. 04 15</b>	\$192	253	290	350
<b>22</b>	\$229	312	342	425

## Step 8. Shelf Finish

<b>91</b>	white	<input type="checkbox"/>	A	+\$0
<b>98</b>	studio white	<input type="checkbox"/>	A	+\$0
<b>G1</b>	graphite	<input type="checkbox"/>	A	+\$0
<b>MS</b>	metallic silver	<input type="checkbox"/>	A	+\$0

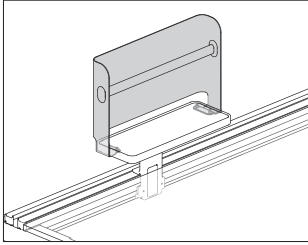
## Step 9. Insert Liner Finish

*For insert liner (L)*

<b>1HS01</b>	hush canyon	<input type="checkbox"/>	A	+\$0
<b>1HS02</b>	hush pesto	<input type="checkbox"/>	A	+\$0
<b>1HS03</b>	hush bayou	<input type="checkbox"/>	A	+\$0
<b>1HS04</b>	hush greystone	<input type="checkbox"/>	A	+\$0
<b>1HS05</b>	hush charcoal	<input type="checkbox"/>	A	+\$0

# Shelf Backdrop

YT310.



### Product Information

#### Description

This backdrop can be retrofitted to the shelf in the field with minimal installation. Rod finish matches backdrop finish.

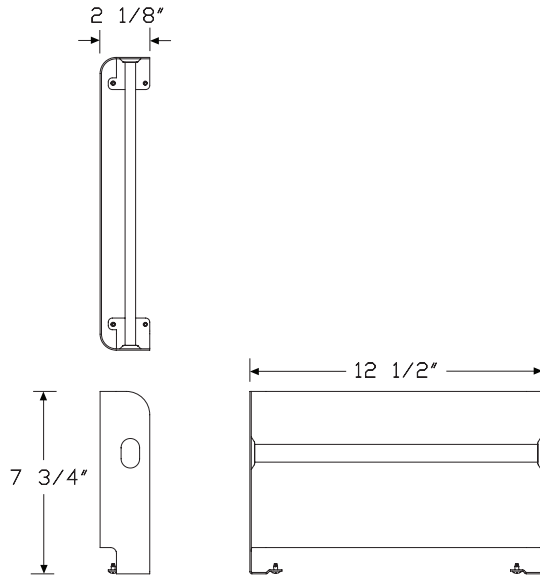
#### Notes

This backdrop is to be used only with shelf (YT300).

Order the following accessories separately:

- Name tag (YT410.)
- Rod bookend (YT440.) for 8" depth shelf only

#### Dimensions



### Specification Information

#### Step 1.

**YT310.**  A

#### Step 2. Height

**07** 7" high  A

#### Step 3. Width

**12** 12" wide  A

**15** 15" wide  A

**22** 22" wide  A

#### Prices for Steps 1-3.

	12	15	22
<b>YT310. 07</b>	\$88	98	113

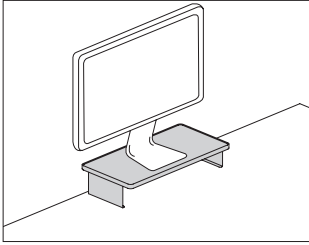
#### Step 4. Backdrop Finish

<b>91</b>	white <input type="checkbox"/> A		+\$0
<b>98</b>	studio white <input type="checkbox"/> A		+\$0
<b>G1</b>	graphite <input type="checkbox"/> A		+\$0
<b>MS</b>	metallic silver <input type="checkbox"/> A		+\$0

Thrive® Work Tools

# Monitor Platform Shelf

YT320.



## Product Information

### Description

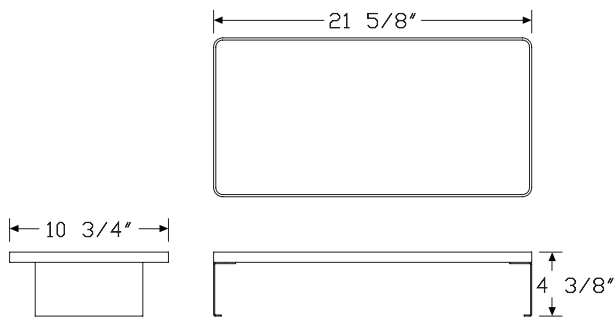
This painted steel shelf rests on a work surface and can hold a computer monitor when a monitor arm is not used. An optional shelf liner comes in a choice of colors. The short bin and small box accessories fit under the shelf.

### Notes

Order the following accessories separately:

- USB power module (YT420.)
- Monitor platform shelf liner (YT520.)
- Short bin (YT800.)
- Small box (YT840.S)

### Dimensions



Thrive® Work Tools

## Specification Information

### Step 1.

**YT320.**

### Step 2. Height

**04** 4" high

### Step 3. Width

**22** 22" wide

### Step 4. Depth

**11** 11" deep

### Step 5. Shelf Material

**M** painted metal

**L** insert liner

### Prices for Steps 1-5.

	<b>11M</b>	<b>11L</b>
<b>YT320. 04 22</b>	\$244	338

### Step 6. Monitor Platform Shelf Finish

<b>91</b> white <input type="checkbox"/>	+\$0
<b>98</b> studio white <input type="checkbox"/>	+\$0
<b>G1</b> graphite <input type="checkbox"/>	+\$0
<b>MS</b> metallic silver <input type="checkbox"/>	+\$0

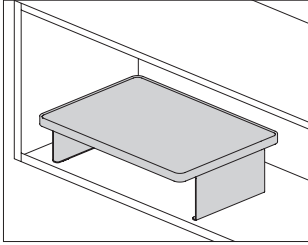
### Step 7. Insert Liner Finish

For insert liner (L)

<b>1HS01</b> hush canyon <input type="checkbox"/>	+\$0
<b>1HS02</b> hush pesto <input type="checkbox"/>	+\$0
<b>1HS03</b> hush bayou <input type="checkbox"/>	+\$0
<b>1HS04</b> hush greystone <input type="checkbox"/>	+\$0
<b>1HS05</b> hush charcoal <input type="checkbox"/>	+\$0

# Freestanding Shelf

YT330.



### Product Information

#### Description

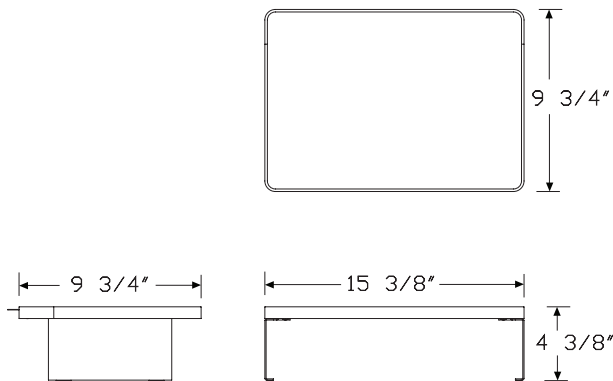
This painted steel shelf rests on a work surface. An optional shelf liner comes in a choice of colors. The short bin and small box accessories fit under the shelf.

#### Notes

Order the following accessories separately:

- USB power module (YT420.)
- Shelf liner (YT530.)
- Short bin (YT800.)
- Small box (YT840.S)

#### Dimensions



### Specification Information

#### Step 1.

**YT330.**  A

#### Step 2. Height

**04** 4" high  A

#### Step 3. Width

**15** 15" wide  A

#### Step 4. Depth

**11** 11" deep  A

#### Step 5. Shelf Material

**M** painted metal  A

**L** insert liner  A

#### Prices for Steps 1-5.

	<b>11M</b>	<b>11L</b>
<b>YT330. 04 15</b>	\$199	282

#### Step 6. Shelf Finish

**91** white  A +\$0

**98** studio white  A +\$0

**G1** graphite  A +\$0

**MS** metallic silver  A +\$0

#### Step 7. Insert Liner Finish

For insert liner (L)

**1HS01** hush canyon  A +\$0

**1HS02** hush pesto  A +\$0

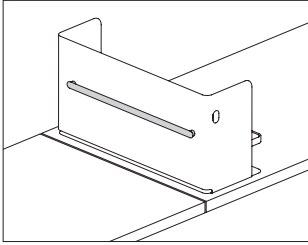
**1HS03** hush bayou  A +\$0

**1HS04** hush greystone  A +\$0

**1HS05** hush charcoal  A +\$0

# Magnetic Document Clip

YT400.



## Product Information

### Description

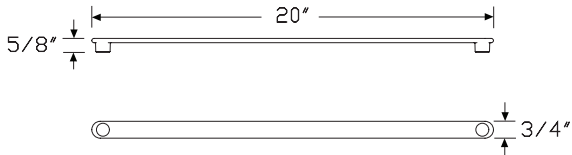
This document clip magnetically attaches to the back of the large and small organizers and the screen to provide storage for documents.

### Notes

Magnetic document clip fits on the following products, ordered separately:

- Small organizer (YT100.)
- Large organizer (YT150.)
- Slim screen (YT200.)

## Dimensions



## Specification Information

### Step 1.

**YT400.**  A

### Step 2. Depth

**20** 20" deep  A

### Prices for Steps 1-2.

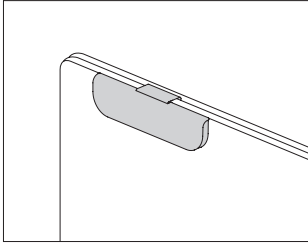
**YT400. 20** \$71

### Step 3. Finish

<b>91</b>	white <input type="checkbox"/> A	+\$0
<b>98</b>	studio white <input type="checkbox"/> A	+\$0
<b>G1</b>	graphite <input type="checkbox"/> A	+\$0
<b>MS</b>	metallic silver <input type="checkbox"/> A	+\$0

# Name Tag

YT410.



## Product Information

### Description

This clear name tag hangs on frameless fabric screens or magnetically attaches to a variety of work tool products.

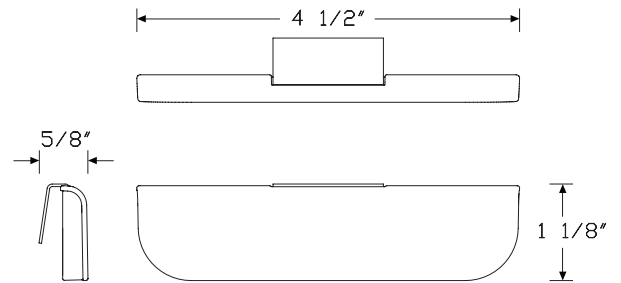
### Notes

Name tag with magnetic bracket (M) can attach to the small organizer (YT100.), large organizer (YT150.), or shelf with backdrop (YT300. xxxxxxB).

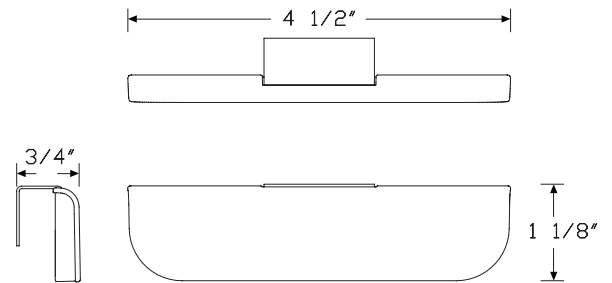
Name tag with Pari screen bracket (P) or flat edge screen bracket (S) can hang on any HermanMiller Pari screen or flat edge screen.

Order name tag insert (O.YT1900) separately through Sales Source.

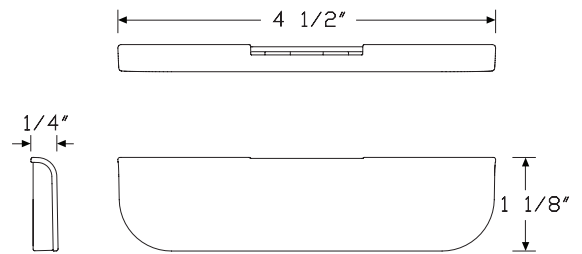
## Dimensions



Pari Screen



Flat Edge Screen



Magnetic

Name Tag *continued*

**Specification Information**

Step 1.

**YT410.**  A

Step 2. Width

**05** 5" wide  A

Step 3. Bracket Type

**P** Pari Screen  A

**S** flat edge screen  A

**M** magnetic  A

Prices for Steps 1-3.

	<b>P</b>	<b>S</b>	<b>M</b>
<b>YT410. 05</b>	\$33	33	33

Step 4. Finish

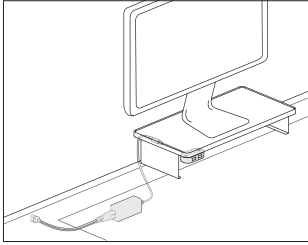
*For Pari Screen (P) or flat edge screen (S)*

**MS** metallic silver  A +\$0



# USB Power Module

YT420.



### Product Information

#### Description

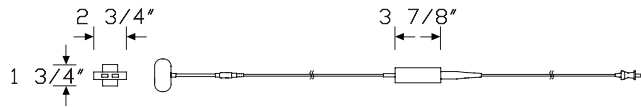
This USB power module provides DC power at the work surface level. It is available in configurations that support USB 2.1 and USB Type C. The module can be mounted to the small and large organizers, shelves, and any work surface. Cord color is black. Attachment hardware included.

#### Notes

USB power module requires a single AC outlet to provide power.

Cord lengths are 1 meter from the AC outlet, and 1.8 meters from the module.

#### Dimensions



### Specification Information

#### Step 1.

**YT420.**  A

#### Step 2. Configuration

**A** configured with two standard USB ports, USB 2.1  A

**B** configured with one standard USB 2.1 port and one USB Type

C  A

#### Step 3. Attachment Type

**1** shelf and surface attachment  A

#### Prices for Steps 1-3.

	<b>1</b>
<b>YT420. A</b>	\$152
<b>B</b>	\$227

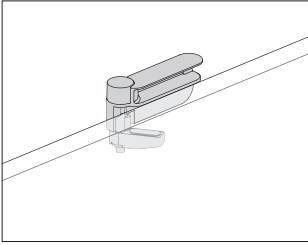
#### Step 4. Finish

<b>91</b> white <input type="checkbox"/> A	+\$0
<b>98</b> studio white <input type="checkbox"/> A	+\$0
<b>CL</b> cool grey neutral <input type="checkbox"/> A	+\$0
<b>G1</b> graphite <input type="checkbox"/> A	+\$0

Thrive® Work Tools

# Cord Cleat

YT430.

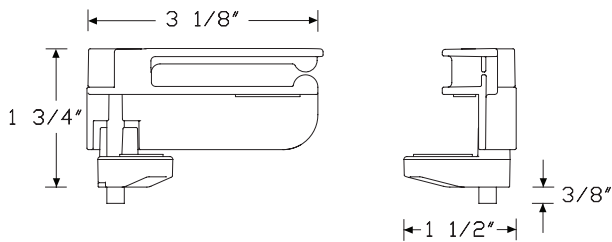


## Product Information

**Description**  
 This plastic cleat clamps to a work surface to provide cord management. It is easily movable by the user, and can hold up to 4 round monitor cords.

**Notes**  
 Cord cleat works with work surfaces from 3/4" to 1 1/8" thick.

## Dimensions



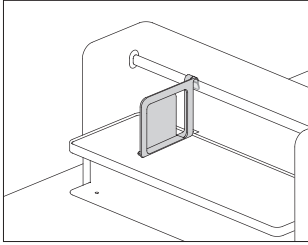
Thrive® Work Tools

## Specification Information

<b>Step 1.</b>		
<b>YT430.</b>	<input type="checkbox"/> A	\$28
<b>Step 2. Finish</b>		
<b>91</b>	white <input type="checkbox"/> A	+\$0
<b>98</b>	studio white <input type="checkbox"/> A	+\$0
<b>CL</b>	cool grey neutral <input type="checkbox"/> A	+\$0
<b>G1</b>	graphite <input type="checkbox"/> A	+\$0

# Rod Bookend

YT440.



### Product Information

#### Description

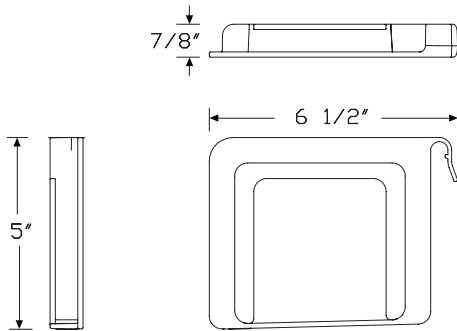
This bookend vertically divides books, binders, and folders. It attaches to the rod of the small and large organizers and the shelf with backdrop, and is easily moved by the user.

#### Notes

Order the following products separately:

- Small organizer (YT100.)
- Large organizer (YT150.)
- Shelf with backdrop (YT300.xxxx08xB)

#### Dimensions



### Specification Information

#### Step 1.

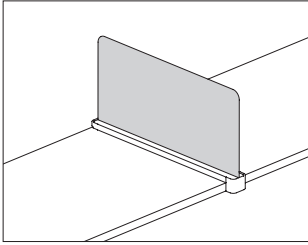
**YT440.**  A \$28

#### Step 2. Finish

<b>91</b>	white	<input type="checkbox"/> A	+\$0
<b>98</b>	studio white	<input type="checkbox"/> A	+\$0
<b>CL</b>	cool grey neutral	<input type="checkbox"/> A	+\$0
<b>G1</b>	graphite	<input type="checkbox"/> A	+\$0

# Magnetic Marker Board

YT450.



### Product Information

#### Description

This white magnetic marker board attaches to a slim screen and is user movable.

#### Notes

Order slim screen (YT200.) separately.

#### Dimensions

### Specification Information

#### Step 1.

**YT450.**  A

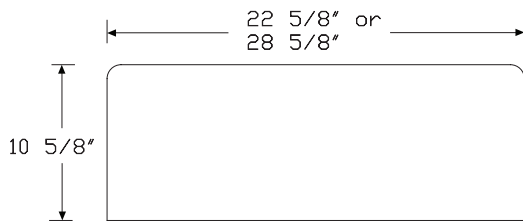
#### Step 2. Application

- 1 24" deep screen  A
- 2 30" deep screen  A

#### Prices for Steps 1-2.

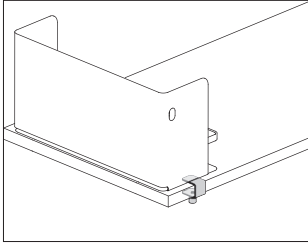
<b>YT450. 1</b>	\$51
2	\$61

Thrive® Work Tools



# Surface Clamp

YT460.



### Product Information

#### Description

This clamp can be added to the small and large organizers.

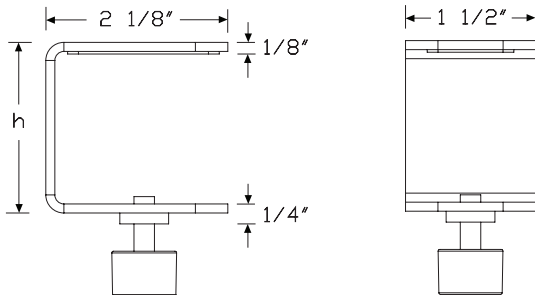
#### Notes

Surface clamp attaches to square edge work surfaces from  $\frac{3}{4}$ " to  $1\frac{1}{8}$ " thick.

Specify standard application (1) for use with most HermanMiller work surfaces and legs. See Planning Guide for exact applications.

Specify Canvas Office Landscape® universal leg application (2) to clamp an organizer on top of a Canvas universal leg.

#### Dimensions



### Specification Information

#### Step 1.

**YT460.** [A]

#### Step 2. Application

- 1 standard [A]
- 2 Canvas Office Landscape® universal leg [A]

#### Prices for Steps 1-2.

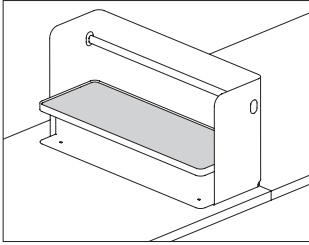
<b>YT460. 1</b>	\$51
2	\$51

#### Step 3. Finish

<b>91</b> white [A]	+\$0
<b>98</b> studio white [A]	+\$0
<b>G1</b> graphite [A]	+\$0
<b>MS</b> metallic silver [A]	+\$0

# Organizer Liner

YT500.

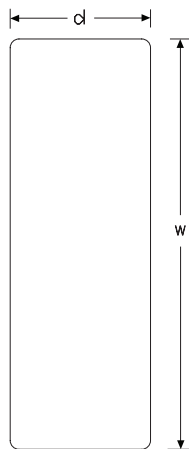


### Product Information

**Description**  
 This liner retrofits to the small and large organizers. It is user movable without tools. Top material is polyester felt.

**Notes**  
 Specify 8" width (08) for a small organizer (YT100).  
 Specify 11" width (11) for a large organizer (YT150).

### Dimensions



Thrive® Work Tools

### Specification Information

#### Step 1.

**YT500.**  A

#### Step 2. Width

**08** 8" wide  A

**11** 11" wide  A

#### Step 3. Depth

**22** 22" deep  A

#### Prices for Steps 1-3.

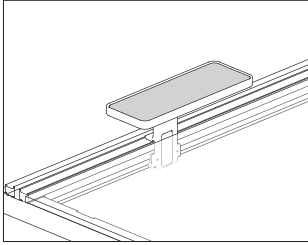
	<b>22</b>
<b>YT500. 08</b>	\$83
<b>11</b>	\$94

#### Step 4. Liner Finish

<b>1HS01</b> hush canyon <input type="checkbox"/> A	+\$0
<b>1HS02</b> hush pesto <input type="checkbox"/> A	+\$0
<b>1HS03</b> hush bayou <input type="checkbox"/> A	+\$0
<b>1HS04</b> hush greystone <input type="checkbox"/> A	+\$0
<b>1HS05</b> hush charcoal <input type="checkbox"/> A	+\$0

# Shelf Liner

YT510.



### Product Information

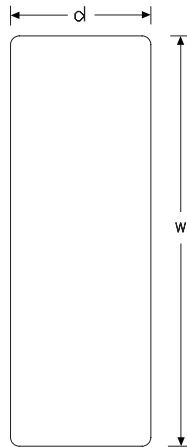
#### Description

This liner retrofits to the shelf. It is user movable without tools. Top material is polyester felt.

#### Notes

Shelf liner is compatible with shelf (YT300.).

#### Dimensions



### Specification Information

#### Step 1.

**YT510.**  A

#### Step 2. Width

**12** 12" wide  A

**15** 15" wide  A

**22** 22" wide  A

#### Step 3. Depth

##### For 12" wide (12)

**05** 5" deep  A

##### For 15" wide (15)

**08** 8" deep  A

##### For 22" wide (22)

**05** 5" deep  A

**08** 8" deep  A

#### Prices for Steps 1-3.

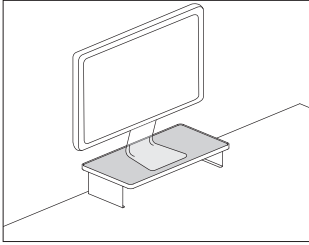
	<b>05</b>	<b>08</b>
<b>YT510. 12</b>	\$56	—
<b>15</b>	—	\$61
<b>22</b>	\$78	83

#### Step 4. Liner Finish

<b>1HS01</b> hush canyon <input type="checkbox"/> A	+\$0
<b>1HS02</b> hush pesto <input type="checkbox"/> A	+\$0
<b>1HS03</b> hush bayou <input type="checkbox"/> A	+\$0
<b>1HS04</b> hush greystone <input type="checkbox"/> A	+\$0
<b>1HS05</b> hush charcoal <input type="checkbox"/> A	+\$0

Monitor Platform Shelf Liner

YT520.



**Product Information**

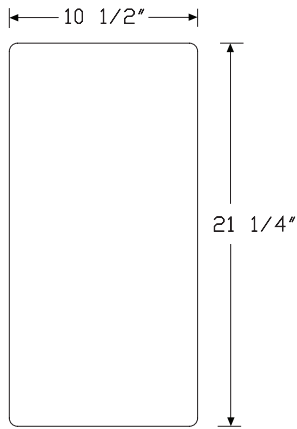
**Description**

This liner retrofits to the monitor platform shelf. It is user movable without tools. Top material is polyester felt.

**Notes**

Liner is compatible with monitor platform shelf (YT320.).

**Dimensions**



Thrive® Work Tools

**Specification Information**

**Step 1.**

**YT520.**  A

**Step 2. Width**

**22** 22" wide  A

**Step 3. Depth**

**11** 11" deep  A

**Prices for Steps 1-3.**

	<b>11</b>
<b>YT520. 22</b>	<b>\$94</b>

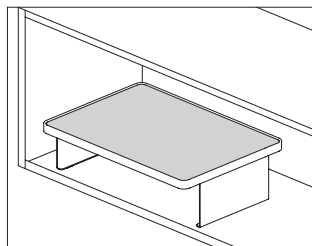
**Step 4. Liner Finish**

<b>1HS01</b> hush canyon <input type="checkbox"/> A	+\$0
<b>1HS02</b> hush pesto <input type="checkbox"/> A	+\$0
<b>1HS03</b> hush bayou <input type="checkbox"/> A	+\$0
<b>1HS04</b> hush greystone <input type="checkbox"/> A	+\$0
<b>1HS05</b> hush charcoal <input type="checkbox"/> A	+\$0



# Freestanding Shelf Liner

YT530.



### Product Information

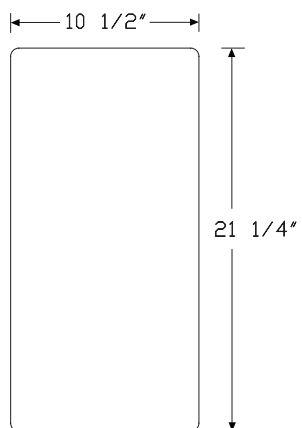
#### Description

This liner retrofits to the freestanding shelf. It is user movable without tools. Top material is polyester felt.

#### Notes

Liner is compatible with shelf (YT330.).

#### Dimensions



### Specification Information

#### Step 1.

**YT530.**  A

#### Step 2. Width

**15** 15" wide  A

#### Step 3. Depth

**11** 11" deep  A

#### Prices for Steps 1-3.

	<b>11</b>
<b>YT530. 15</b>	<b>\$83</b>

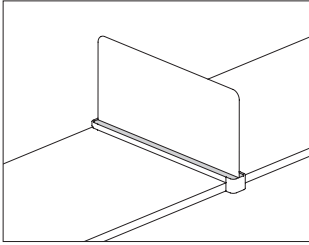
#### Step 4. Liner Finish

<b>1HS01</b> hush canyon <input type="checkbox"/> A	+\$0
<b>1HS02</b> hush pesto <input type="checkbox"/> A	+\$0
<b>1HS03</b> hush bayou <input type="checkbox"/> A	+\$0
<b>1HS04</b> hush greystone <input type="checkbox"/> A	+\$0
<b>1HS05</b> hush charcoal <input type="checkbox"/> A	+\$0

Thrive® Work Tools

Slim Screen Liner

YT540.

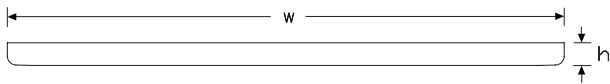


**Product Information**

**Description**  
 This liner retrofits to the slim screen. It is user movable without tools.  
 Top material is polyester felt.

**Notes**  
 Liner is compatible with slim screen (YT200.).

**Dimensions**



Thrive® Work Tools

**Specification Information**

**Step 1.**

**YT540.**

**Step 2. Width**

**02** 2" wide

**Step 3. Depth**

**24** 24" deep

**30** 30" deep

**Prices for Steps 1-3.**

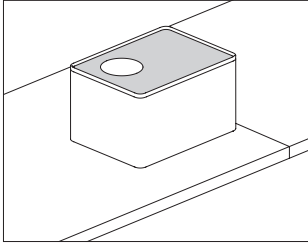
	<b>24</b>	<b>30</b>
<b>YT540. 02</b>	\$56	73

**Step 4. Liner Finish**

<b>1HS01</b> hush canyon <input type="checkbox"/>	+\$0
<b>1HS02</b> hush pesto <input type="checkbox"/>	+\$0
<b>1HS03</b> hush bayou <input type="checkbox"/>	+\$0
<b>1HS04</b> hush greystone <input type="checkbox"/>	+\$0
<b>1HS05</b> hush charcoal <input type="checkbox"/>	+\$0

# Formwork Liner

YT550.



### Product Information

#### Description

This liner retrofits to Formwork bins and boxes. It is user movable without tools. Top material is polyester felt.

#### Notes

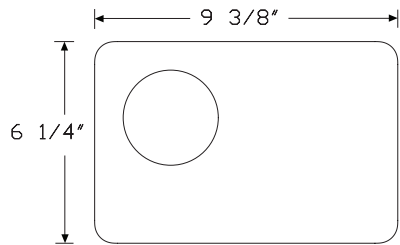
Formwork liner is compatible with the following products:

- Short bin (YT800.)
- Tall bin (YT810.)
- Box, small and large (YT840.S, YT840.L).

For use on the lid or base of the large and small box, specify application option (B).

For use on the lid or base of the tall and short bin, specify application option (T).

#### Dimensions



### Specification Information

#### Step 1.

**YT550.**  A

#### Step 2. Application

**B** large and small box  A

**T** tall and short bin  A

#### Prices for Steps 1-2.

<b>YT550. B</b>	\$53
<b>T</b>	\$75

#### Step 3. Liner Finish

**1HS01** hush canyon  A +\$0

**1HS02** hush pesto  A +\$0

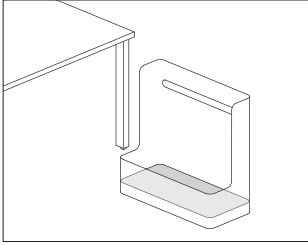
**1HS03** hush bayou  A +\$0

**1HS04** hush greystone  A +\$0

**1HS05** hush charcoal  A +\$0

# Mobile Bag Catch Base Liner

YT560.

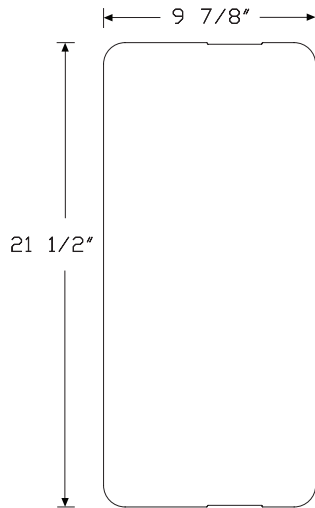


## Product Information

**Description**  
 This liner retrofits to the base of the mobile bag catch. It is user movable without tools. Top material is polyester felt.

**Notes**  
 Base liner is compatible with mobile bag catch (YT710).

## Dimensions



Thrive® Work Tools

## Specification Information

Step 1.

**YT560.**  A

Step 2. Width

**10** 10" wide  A

Step 3. Depth

**22** 22" deep  A

Prices for Steps 1-3.

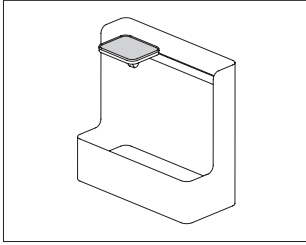
	<b>22</b>
<b>YT560. 10</b>	\$111

Step 4. Liner Finish

<b>1HS01</b> hush canyon <input type="checkbox"/> A	+\$0
<b>1HS02</b> hush pesto <input type="checkbox"/> A	+\$0
<b>1HS03</b> hush bayou <input type="checkbox"/> A	+\$0
<b>1HS04</b> hush greystone <input type="checkbox"/> A	+\$0
<b>1HS05</b> hush charcoal <input type="checkbox"/> A	+\$0

Mobile Bag Catch Shelf Liner

YT565.



**Product Information**

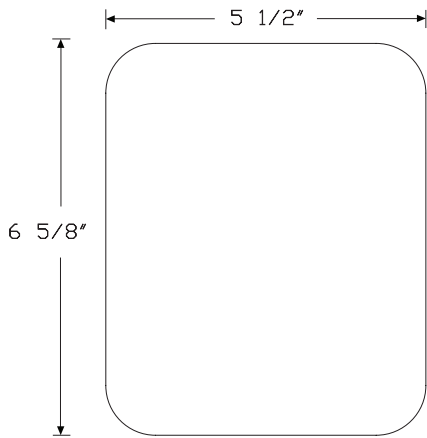
**Description**

This liner retrofits to the shelf of the mobile bag catch. It is user movable without tools. Top material is polyester felt.

**Notes**

Shelf liner is compatible with mobile bag catch (YT710.) and mobile bag catch shelf (YT715.).

**Dimensions**



**Specification Information**

**Step 1.**

**YT565.**  A

**Step 2. Width**

**06** 6" wide  A

**Step 3. Depth**

**07** 7" deep  A

**Prices for Steps 1-3.**

	<b>07</b>
<b>YT565. 06</b>	<b>\$46</b>

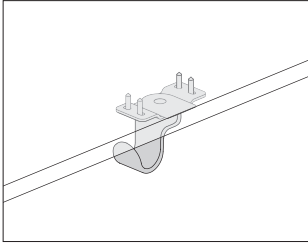
**Step 4. Liner Finish**

<b>1HS01</b> hush canyon <input type="checkbox"/> A	+\$0
<b>1HS02</b> hush pesto <input type="checkbox"/> A	+\$0
<b>1HS03</b> hush bayou <input type="checkbox"/> A	+\$0
<b>1HS04</b> hush greystone <input type="checkbox"/> A	+\$0
<b>1HS05</b> hush charcoal <input type="checkbox"/> A	+\$0

Thrive® Work Tools

# Bag Hook

YT700.



### Product Information

#### Description

This bag hook clamps to a work surface or mounts under the surface with screws. The hook rotates 360° to hold the bag under the surface. Clamp mount is easily moved by the user. Fixed attachment option includes attachment hardware.

#### Notes

Clamp attaches to work surfaces from 3/4" to 1 1/8" thick.  
Maximum weight capacity is 15 pounds for clamp and fixed attachment.

#### Dimensions

### Specification Information

#### Step 1.

**YT700.**  A

#### Step 2. Attachment Type

**C** clamp  A

**F** fixed  A

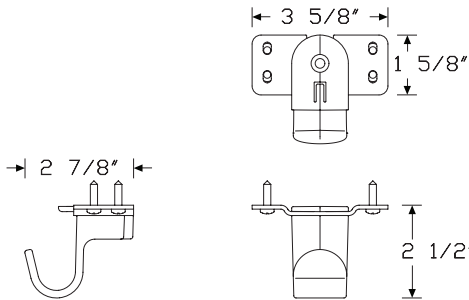
#### Prices for Steps 1-2.

<b>YT700. C</b>	\$46
<b>F</b>	\$46

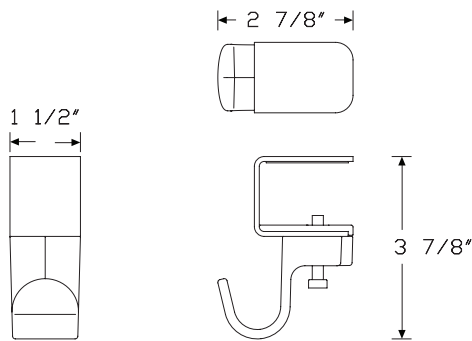
#### Step 3. Finish

<b>91</b>	white <input type="checkbox"/> A	+\$0
<b>98</b>	studio white <input type="checkbox"/> A	+\$0
<b>G1</b>	graphite <input type="checkbox"/> A	+\$0
<b>MS</b>	metallic silver <input type="checkbox"/> A	+\$0

Thrive® Work Tools



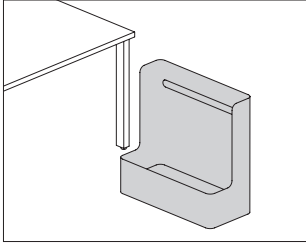
Bag Hook Fixed



Bag Hook Clamp

# Mobile Bag Catch

YT710.



### Product Information

#### Description

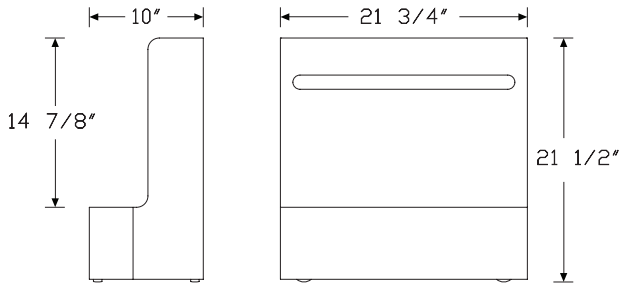
This mobile bag catch provides storage for a personal bag. It also provides a natural boundary between users on either side of the catch. It rests on wheels for ease of movement. An optional shelf liner is available in a choice of colors.

#### Notes

Order the following products separately:

- Mobile bag catch base liner (YT560.)
- Mobile bag catch shelf liner (YT565.)

#### Dimensions



### Specification Information

#### Step 1.

**YT710.**  A

#### Step 2. Height

**21** 21" high  A

#### Step 3. Width

**10** 10" wide  A

#### Step 4. Depth

**22** 22" deep  A

#### Step 5. Base Material

**L** insert liner  A

#### Step 6. Shelf Option

**N** no shelf  A  
**S** shelf  A

#### Step 7. Shelf Material

##### For no shelf (N)

**N** no shelf  A

##### For shelf (S)

**M** painted metal  A  
**L** insert liner  A

#### Prices for Steps 1-7.

	<b>22LNN</b>	<b>22LSM</b>	<b>22LSL</b>
<b>YT710. 21 10</b>	\$487	517	563

#### Step 8. Bag Cubby Finish

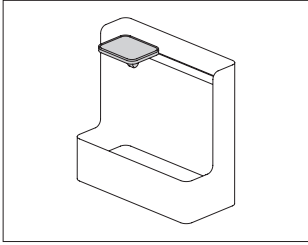
<b>91</b> white <input type="checkbox"/> A	+\$0
<b>98</b> studio white <input type="checkbox"/> A	+\$0
<b>G1</b> graphite <input type="checkbox"/> A	+\$0
<b>MS</b> metallic silver <input type="checkbox"/> A	+\$0

#### Step 9. Insert Liner Finish

<b>1HS01</b> hush canyon <input type="checkbox"/> A	+\$0
<b>1HS02</b> hush pesto <input type="checkbox"/> A	+\$0
<b>1HS03</b> hush bayou <input type="checkbox"/> A	+\$0
<b>1HS04</b> hush greystone <input type="checkbox"/> A	+\$0
<b>1HS05</b> hush charcoal <input type="checkbox"/> A	+\$0

# Mobile Bag Catch Shelf

YT715.



## Product Information

### Description

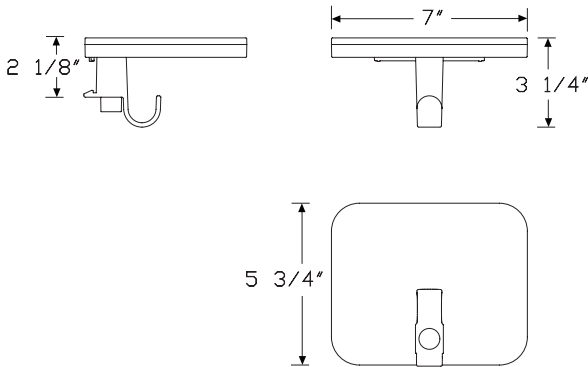
This painted metal shelf can be retrofit to the mobile bag catch. An optional liner is available in a choice of colors.

### Notes

Order the following products separately:

- Mobile bag catch (YT710.)
- Mobile bag catch shelf liner (YT565.)

### Dimensions



Thrive® Work Tools

## Specification Information

### Step 1.

**YT715.**

### Step 2. Width

**06** 6" wide

### Step 3. Depth

**07** 7" deep

### Step 4. Shelf Material

**M** painted metal

**L** insert liner

### Prices for Steps 1-4.

	M	L
<b>YT715. 06 07</b>	\$61	106

### Step 5. Mobile Bag Catch Shelf Finish

<b>91</b> white <input type="checkbox"/>	+\$0
<b>98</b> studio white <input type="checkbox"/>	+\$0
<b>G1</b> graphite <input type="checkbox"/>	+\$0
<b>MS</b> metallic silver <input type="checkbox"/>	+\$0

### Step 6. Insert Liner Finish

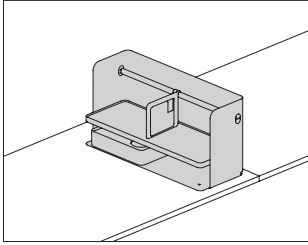
For insert liner (L)

<b>1HS01</b> hush canyon <input type="checkbox"/>	+\$0
<b>1HS02</b> hush pesto <input type="checkbox"/>	+\$0
<b>1HS03</b> hush bayou <input type="checkbox"/>	+\$0
<b>1HS04</b> hush greystone <input type="checkbox"/>	+\$0
<b>1HS05</b> hush charcoal <input type="checkbox"/>	+\$0



# Small Organizer Kit #1

YT900.



## Product Information

### Description

This kit includes the following work tools:

- Small organizer without liner
- Rod bookend
- Formwork small box with cup

### Notes

Finish (Step 2) combinations are predetermined.

For white (G1):

- White (G1) small organizer without liner
- White (G1) rod bookend

For graphite (G1):

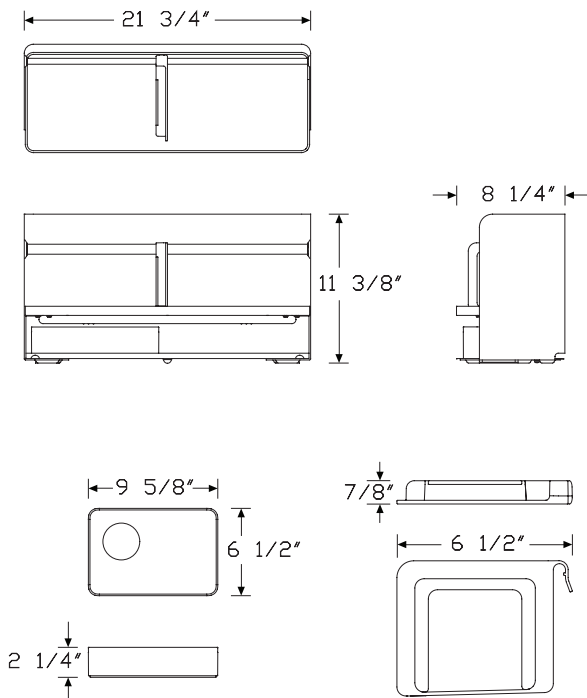
- Graphite (G1) small organizer without liner
- Graphite (G1) rod bookend

For metallic silver (MS):

- Metallic silver (MS) small organizer without liner
- Cool grey neutral (CL) rod bookend

Formwork finish (Step 3) is independent of (Step 2) finish specification.

## Dimensions



## Specification Information

### Step 1.

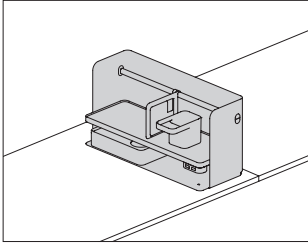
**YT900.** [A] \$517

### Step 2. Finish

<b>91</b>	white [A]	+\$0
<b>98</b>	studio white [A]	+\$0
<b>G1</b>	graphite [A]	+\$0
<b>MS</b>	metallic silver [A]	+\$0

### Step 3. Formwork Finish

<b>CRT</b>	concrete [A]	+\$0
<b>NYX</b>	onyx [A]	+\$0



**Product Information**

**Description**

This kit includes the following work tools:

- Small organizer with liner
- Rod bookend
- Formwork small box with cup
- Formwork square pencil cup
- USB power module A-A

**Notes**

Finish (Step 2) combinations are predetermined.

For white (G1):

- White (G1) small organizer with liner
- White (G1) rod bookend
- White (G1) USB power module A-A

For graphite (G1):

- Graphite (G1) small organizer with liner
- Graphite (G1) rod bookend
- Graphite (G1) USB power module A-A

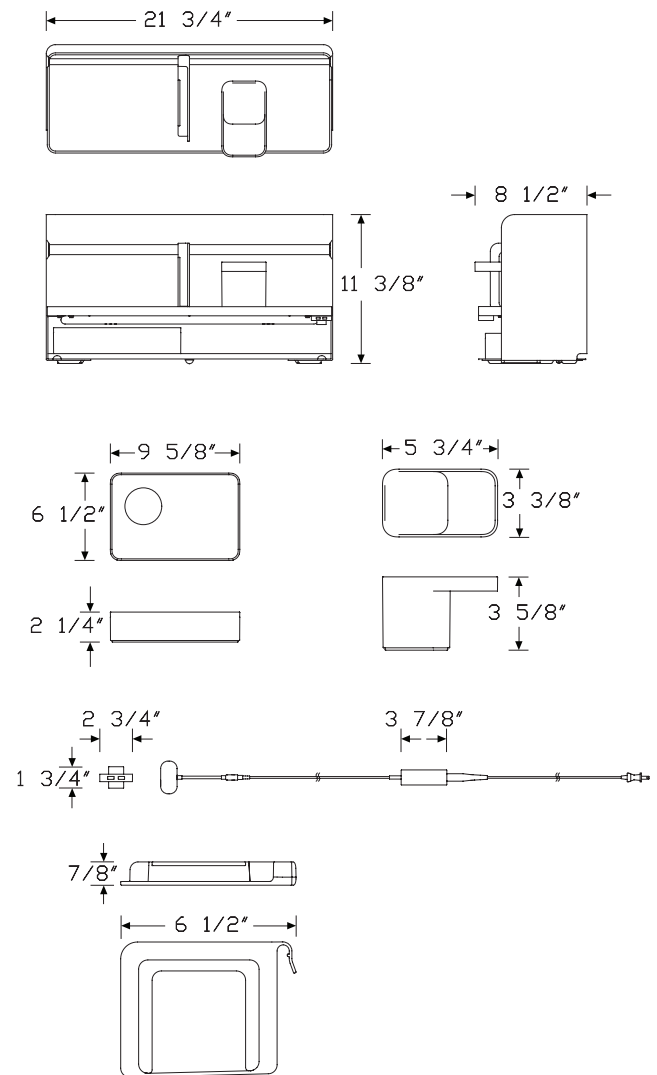
For metallic silver (MS):

- Metallic silver (MS) small organizer with liner
- Cool grey neutral (CL) rod bookend
- Cool grey neutral (CL) USB power module A-A

Formwork finish (Step 4) is independent of (Step 2) finish specification and applies to all included Formwork products in this kit.

Thrive® Work Tools

**Dimensions**



## Small Organizer Kit #2 *continued*

### Specification Information

#### Step 1.

**YT901.**  A \$785

#### Step 2. Finish

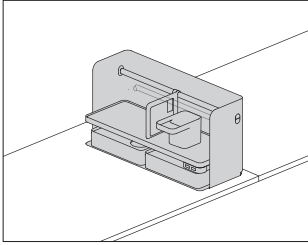
**91** white  A +\$0  
**98** studio white  A +\$0  
**G1** graphite  A +\$0  
**MS** metallic silver  A +\$0

#### Step 3. Liner Finish

**1HS01** hush canyon  A +\$0  
**1HS02** hush pesto  A +\$0  
**1HS03** hush bayou  A +\$0  
**1HS04** hush greystone  A +\$0  
**1HS05** hush charcoal  A +\$0

#### Step 4. Formwork Finish

**CRT** concrete  A +\$0  
**NYX** onyx  A +\$0



**Product Information**

**Description**

This kit includes the following work tools:

- Small organizer with liner
- Rod bookend
- 2-Formwork small boxes with cup
- Formwork square pencil cup
- USB power module A-C
- Magnetic document clip

**Notes**

Finish (Step 2) combinations are predetermined.

For white (G1):

- White (G1) small organizer with liner
- White (G1) rod bookend
- White (G1) USB power module A-C
- White (G1) magnetic document clip

For graphite (G1):

- Graphite (G1) small organizer with liner
- Graphite (G1) rod bookend
- Graphite (G1) USB power module A-C
- Graphite (G1) magnetic document clip

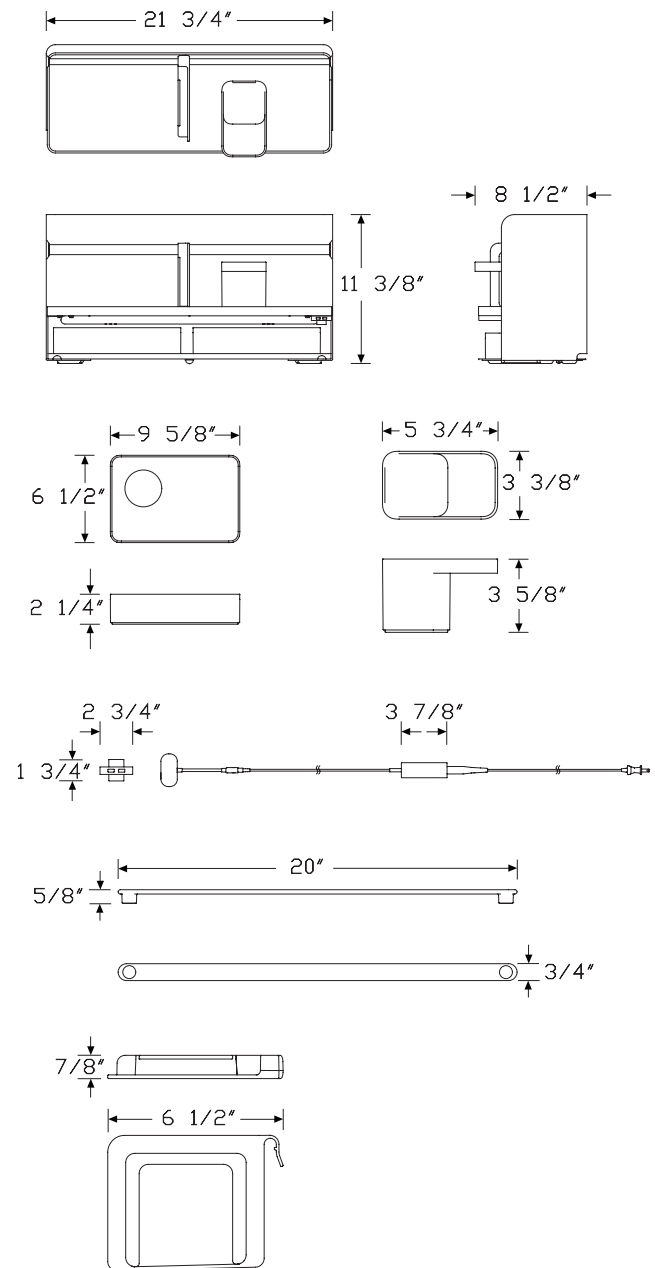
For metallic silver (MS):

- Metallic silver (MS) small organizer with liner
- Cool grey neutral (CL) rod bookend
- Cool grey neutral (CL) USB power module A-C
- Cool grey neutral (CL) magnetic document clip

Formwork finish (Step 4) is independent of (Step 2) finish specification and applies to all included Formwork products in this kit.

Thrive® Work Tools

**Dimensions**



## Small Organizer Kit #3 *continued*

### Specification Information

#### Step 1.

**YT902.**  A \$1010

#### Step 2. Finish

**91** white  A +\$0

**98** studio white  A +\$0

**G1** graphite  A +\$0

**MS** metallic silver  A +\$0

#### Step 3. Liner Finish

**1HS01** hush canyon  A +\$0

**1HS02** hush pesto  A +\$0

**1HS03** hush bayou  A +\$0

**1HS04** hush greystone  A +\$0

**1HS05** hush charcoal  A +\$0

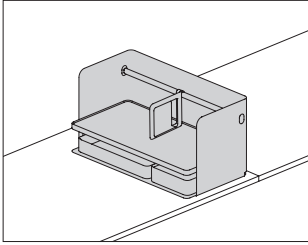
#### Step 4. Formwork Finish

**CRT** concrete  A +\$0

**NYX** onyx  A +\$0

# Large Organizer Kit #1

YT910.



## Product Information

### Description

This kit includes the following work tools:

- Large organizer without liner
- Rod bookend
- Formwork small box with cup
- Formwork short bin without lid

### Notes

Finish (Step 2) combinations are predetermined.

For white (G1):

- White (G1) large organizer without liner
- White (G1) rod bookend

For graphite (G1):

- Graphite (G1) large organizer without liner
- Graphite (G1) rod bookend

For metallic silver (MS):

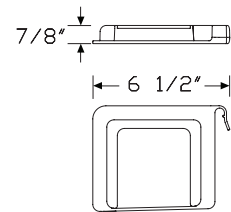
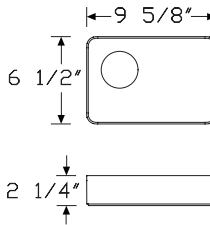
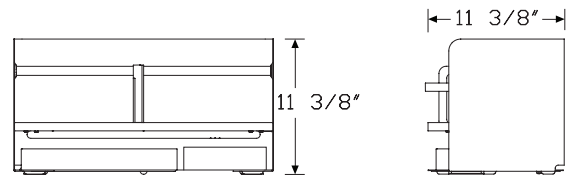
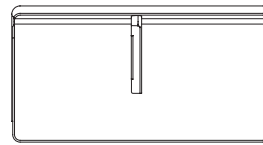
- Metallic silver (MS) large organizer without liner
- Cool grey neutral (CL) rod bookend

Formwork finish (Step 3) is independent of (Step 2) finish specification and applies to all included Formwork products in this kit.

Thrive® Work Tools

## Dimensions

21 3/4"



13 1/8"



1 7/8"



# Large Organizer Kit #1 *continued*

## Specification Information

Step 1.

**YT910.**  A \$631

Step 2. Finish

**91** white  A +\$0

**98** studio white  A +\$0

**G1** graphite  A +\$0

**MS** metallic silver  A +\$0

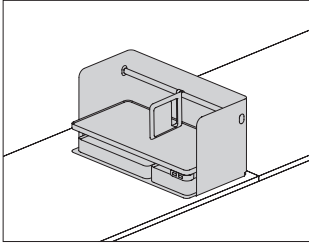
Step 3. Formwork Finish

**CRT** concrete  A +\$0

**NYX** onyx  A +\$0

# Large Organizer Kit #2

YT911.



## Product Information

### Description

This kit includes the following work tools:

- Large organizer with liner
- Rod bookend
- Formwork small box with cup
- Formwork short bin with lid
- USB power module A-A

### Notes

Finish (Step 2) combinations are predetermined.

For white (G1):

- White (G1) large organizer with liner
- White (G1) rod bookend
- White (G1) USB power module A-A

For graphite (G1):

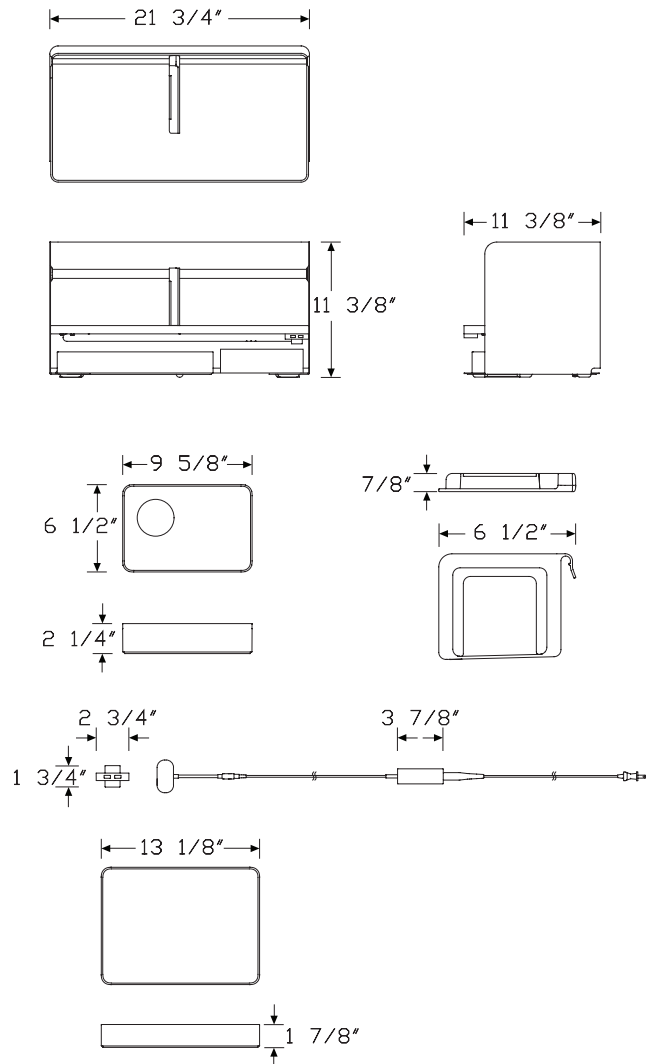
- Graphite (G1) large organizer with liner
- Graphite (G1) rod bookend
- Graphite (G1) USB power module A-A

For metallic silver (MS):

- Metallic silver (MS) large organizer with liner
- Cool grey neutral (CL) rod bookend
- Cool grey neutral (CL) USB power module A-A

Formwork finish (Step 4) is independent of (Step 2) finish specification and applies to all included Formwork products in this kit.

## Dimensions



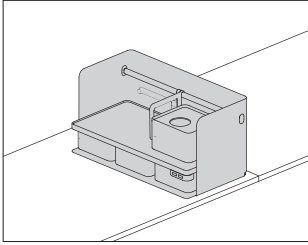


## Large Organizer Kit #2 *continued*

Specification Information		
Step 1.		
<b>YT911.</b>	<input type="checkbox"/> A	\$902
Step 2. Finish		
<b>91</b>	white <input type="checkbox"/> A	+\$0
<b>98</b>	studio white <input type="checkbox"/> A	+\$0
<b>G1</b>	graphite <input type="checkbox"/> A	+\$0
<b>MS</b>	metallic silver <input type="checkbox"/> A	+\$0
Step 3. Liner Finish		
<b>1HS01</b>	hush canyon <input type="checkbox"/> A	+\$0
<b>1HS02</b>	hush pesto <input type="checkbox"/> A	+\$0
<b>1HS03</b>	hush bayou <input type="checkbox"/> A	+\$0
<b>1HS04</b>	hush greystone <input type="checkbox"/> A	+\$0
<b>1HS05</b>	hush charcoal <input type="checkbox"/> A	+\$0
Step 4. Formwork Finish		
<b>CRT</b>	concrete <input type="checkbox"/> A	+\$0
<b>NYX</b>	onyx <input type="checkbox"/> A	+\$0

# Large Organizer Kit #3

YT912.



## Product Information

### Description

This kit includes the following work tools:

- Large organizer with liner
- Rod bookend
- 3-Formwork small boxes with cup
- Formwork large box with cup
- USB power module A-C
- Magnetic document clip

### Notes

Finish (Step 2) combinations are predetermined.

For white (G1):

- White (G1) large organizer with liner
- White (G1) rod bookend
- White (G1) USB power module A-C
- White (G1) magnetic document clip

For graphite (G1):

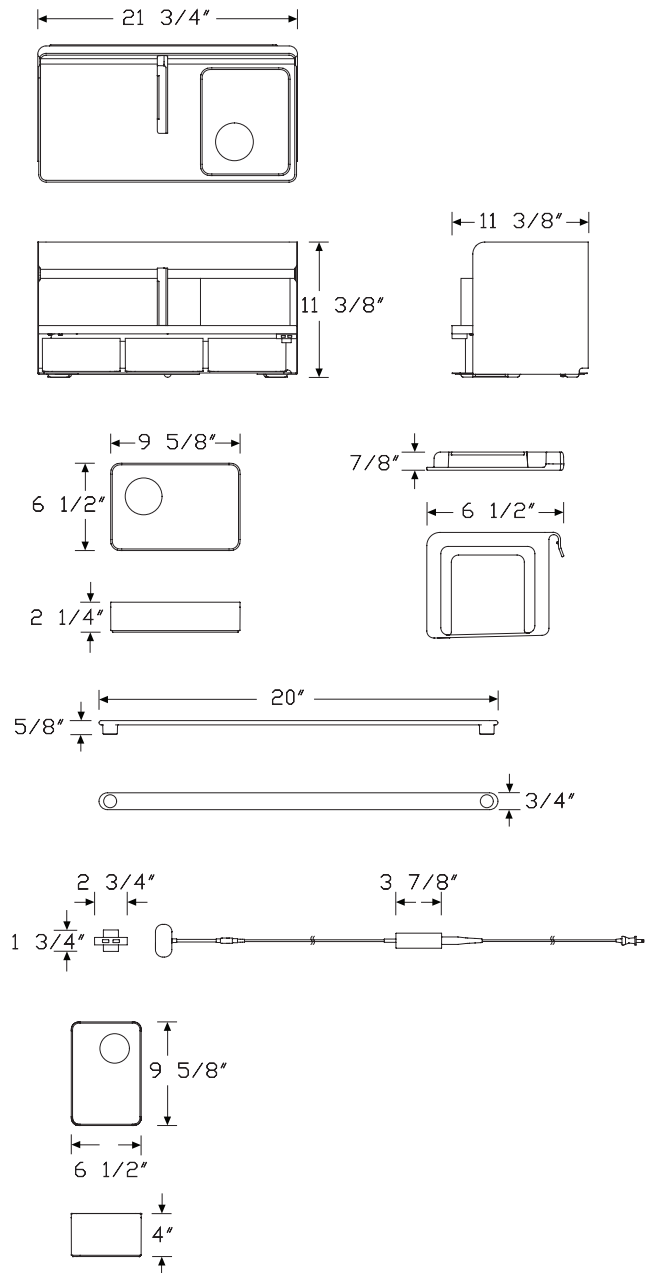
- Graphite (G1) large organizer with liner
- Graphite (G1) rod bookend
- Graphite (G1) USB power module A-C
- Graphite (G1) magnetic document clip

For metallic silver (MS):

- Metallic silver (MS) large organizer with liner
- Cool grey neutral (CL) rod bookend
- Cool grey neutral (CL) USB power module A-C
- Cool grey neutral (CL) magnetic document clip

Formwork finish (Step 4) is independent of (Step 2) finish specification and applies to all included Formwork products in this kit.

## Dimensions



# Large Organizer Kit #3 *continued*

## Specification Information

### Step 1.

**YT912.**   \$1222

### Step 2. Finish

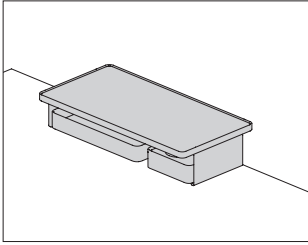
**91** white   +\$0  
**98** studio white   +\$0  
**G1** graphite   +\$0  
**MS** metallic silver   +\$0

### Step 3. Liner Finish

**1HS01** hush canyon   +\$0  
**1HS02** hush pesto   +\$0  
**1HS03** hush bayou   +\$0  
**1HS04** hush greystone   +\$0  
**1HS05** hush charcoal   +\$0

### Step 4. Formwork Finish

**CRT** concrete   +\$0  
**NYX** onyx   +\$0



**Product Information**

**Description**

This kit includes the following work tools:

- Monitor platform stand without liner
- Formwork small box with cup
- Formwork short bin without lid

**Notes**

Finish (Step 2) combinations are predetermined.

For white (G1):

- White (G1) monitor platform stand without liner

For graphite (G1):

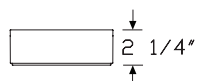
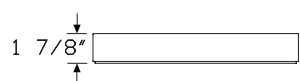
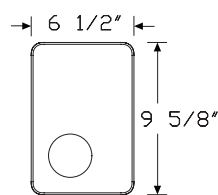
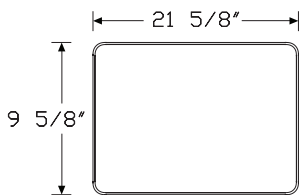
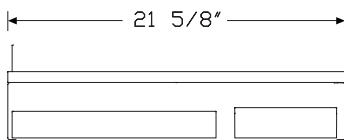
- Graphite (G1) monitor platform stand without liner

For metallic silver (MS):

- Metallic silver (MS) monitor platform stand without liner

Formwork finish (Step 3) is independent of (Step 2) finish specification and applies to all included Formwork products in this kit.

**Dimensions**



**Specification Information**

**Step 1.**

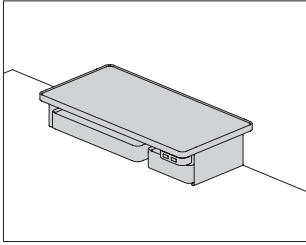
**YT920.** [A] \$379

**Step 2. Monitor Platform Stand Finish**

<b>91</b>	white [A]	+\$0
<b>98</b>	studio white [A]	+\$0
<b>G1</b>	graphite [A]	+\$0
<b>MS</b>	metallic silver [A]	+\$0

**Step 3. Formwork Finish**

<b>CRT</b>	concrete [A]	+\$0
<b>NYX</b>	onyx [A]	+\$0



**Product Information**

**Description**

This kit includes the following work tools:

- Monitor platform stand with liner
- Formwork small box with cup
- Formwork short bin with lid
- USB power module A-A

**Notes**

Finish (Step 2) combinations are predetermined.

For white (G1):

- White (G1) monitor platform stand with liner
- White (G1) USB power module A-A

For graphite (G1):

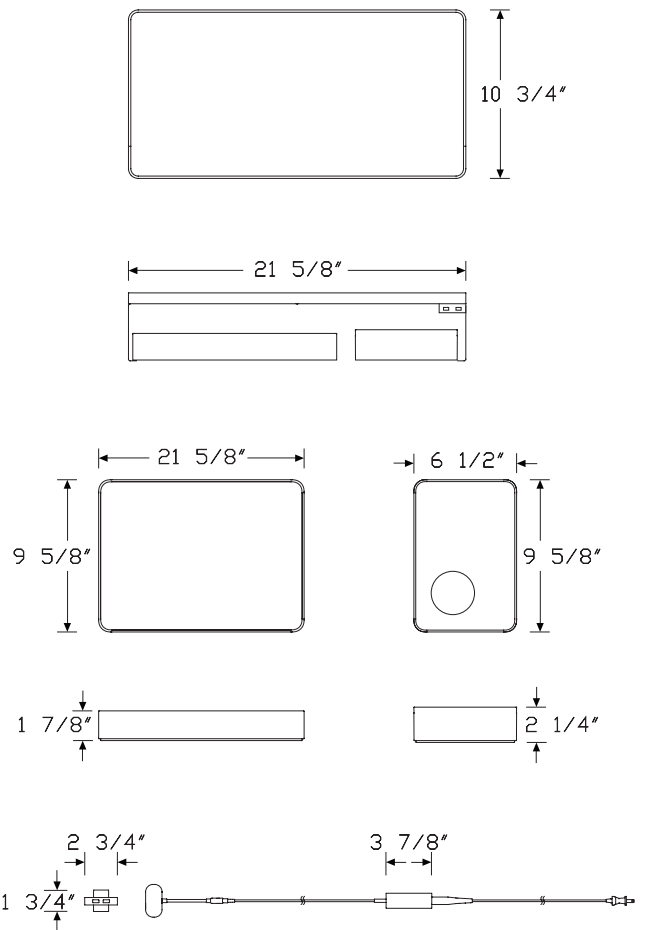
- Graphite (G1) monitor platform stand with liner
- Graphite (G1) USB power module A-A

For metallic silver (MS):

- Metallic silver (MS) monitor platform stand with liner
- Cool grey neutral (CL) USB power module A-A

Formwork finish (Step 4) is independent of (Step 2) finish specification and applies to all included Formwork products in this kit.

**Dimensions**



# Monitor Platform Stand Kit #2

continued

## Specification Information

Step 1.

**YT921.**  A \$648

Step 2. Finish

**91** white  A +\$0

**98** studio white  A +\$0

**G1** graphite  A +\$0

**MS** metallic silver  A +\$0

Step 3. Liner Finish

**1HS01** hush canyon  A +\$0

**1HS02** hush pesto  A +\$0

**1HS03** hush bayou  A +\$0

**1HS04** hush greystone  A +\$0

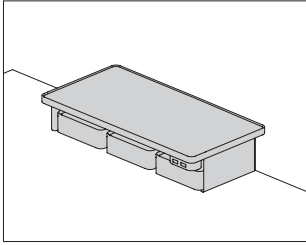
**1HS05** hush charcoal  A +\$0

Step 4. Formwork Finish

**CRT** concrete  A +\$0

**NYX** onyx  A +\$0

Thrive® Work Tools



**Product Information**

**Description**

This kit includes the following work tools:

- Monitor platform stand with liner
- 3-Formwork small boxes with cup
- USB power module A-C

**Notes**

Finish (Step 2) combinations are predetermined.

For white (G1):

- White (G1) monitor platform stand with liner
- White (G1) USB power module A-C

For graphite (G1):

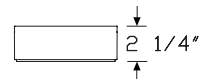
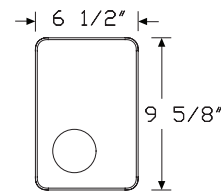
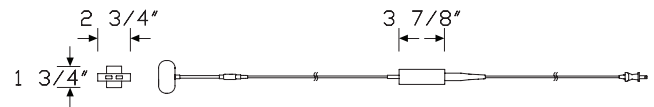
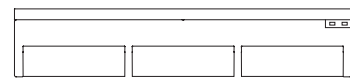
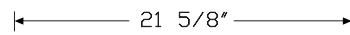
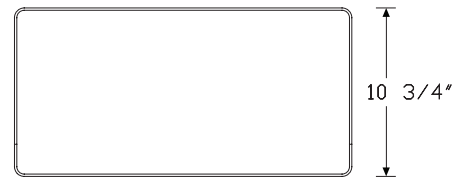
- Graphite (G1) monitor platform stand with liner
- Graphite (G1) USB power module A-C

For metallic silver (MS):

- Metallic silver (MS) monitor platform stand with liner
- Cool grey neutral (CL) USB power module A-C

Formwork finish (Step 4) is independent of (Step 2) finish specification and applies to all included Formwork products in this kit.

**Dimensions**



# Monitor Platform Stand Kit #3

continued

## Specification Information

Step 1.  
**YT922.**  A \$802

Step 2. Finish

<b>91</b>	white	<input type="checkbox"/> A	+\$0
<b>98</b>	studio white	<input type="checkbox"/> A	+\$0
<b>G1</b>	graphite	<input type="checkbox"/> A	+\$0
<b>MS</b>	metallic silver	<input type="checkbox"/> A	+\$0

Step 3. Liner Finish

<b>1HS01</b>	hush canyon	<input type="checkbox"/> A	+\$0
<b>1HS02</b>	hush pesto	<input type="checkbox"/> A	+\$0
<b>1HS03</b>	hush bayou	<input type="checkbox"/> A	+\$0
<b>1HS04</b>	hush greystone	<input type="checkbox"/> A	+\$0
<b>1HS05</b>	hush charcoal	<input type="checkbox"/> A	+\$0

Step 4. Formwork Finish

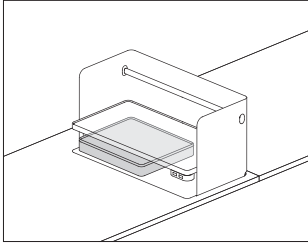
<b>CRT</b>	concrete	<input type="checkbox"/> A	+\$0
<b>NYX</b>	onyx	<input type="checkbox"/> A	+\$0

Thrive® Work Tools



# Short Bin

YT800.



### Product Information

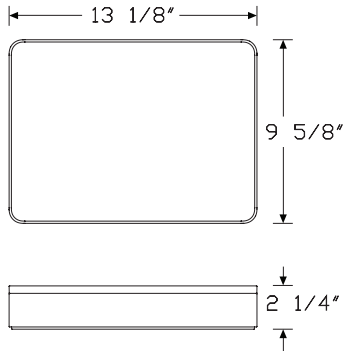
#### Description

This short bin is designed to hold office tools and personal items. It is crafted of high gloss ABS plastic. It can stack on tall bins and boxes.

#### Notes

Order Formwork liner (YT550.) separately.

#### Dimensions



### Specification Information

#### Step 1.

**YT800.**  A

#### Step 2. Lid Option

**N** no lid  A

**L** with lid  A

#### Prices for Steps 1-2.

<b>YT800. N</b>	\$55
<b>L</b>	\$80

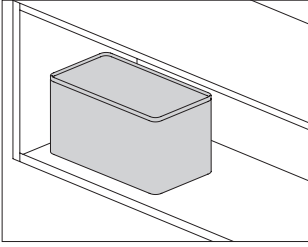
#### Step 3. Finish

**CRT** concrete  A + \$0

**NYX** onyx  A + \$0

# Tall Bin

YT810.



### Product Information

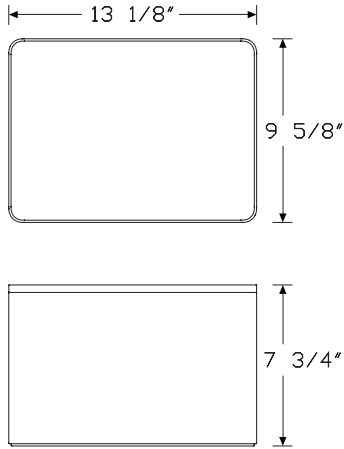
#### Description

This tall bin is designed to hold office tools and personal items. It is crafted of high gloss ABS plastic. It can stack on short bins and boxes.

#### Notes

Order Formwork liner (YT550.) separately.

### Dimensions



Thrive® Work Tools

### Specification Information

#### Step 1.

**YT810.**  A

#### Step 2. Lid Option

**N** no lid  A

**L** with lid  A

#### Prices for Steps 1-2.

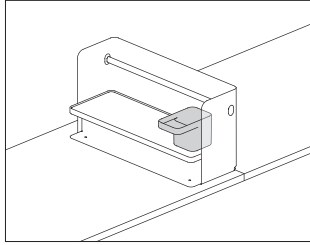
<b>YT810. N</b>	\$97
<b>L</b>	\$119

#### Step 3. Finish

<b>CRT</b> concrete <input type="checkbox"/> A	+ \$0
<b>NYX</b> onyx <input type="checkbox"/> A	+ \$0

# Square Pencil Cup

YT820.

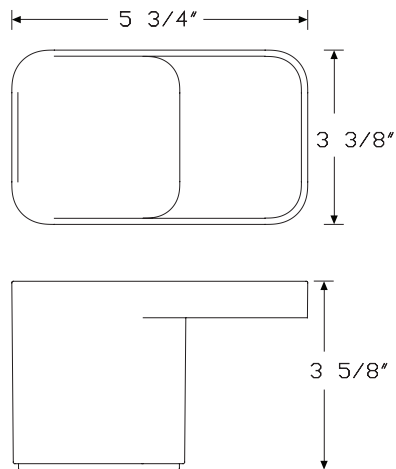


### Product Information

#### Description

The pencil cup is designed to hold pencils, pens, markers, and office tools. It also has an integrated ledge for convenient storage of other small items. It is crafted of high gloss ABS plastic with a silicone base.

#### Dimensions



### Specification Information

#### Step 1.

**YT820.**  A \$34

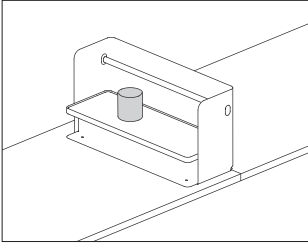
#### Step 2. Finish

**CRT** concrete  A +\$0

**NYX** onyx  A +\$0

# Round Pencil Cup

YT825.

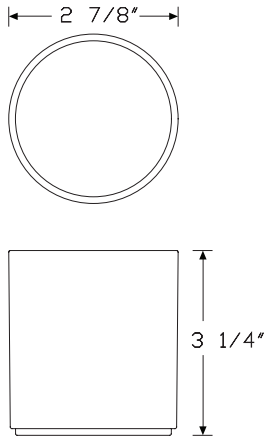


### Product Information

#### Description

The round pencil cup is designed to hold pencils, pens, markers, and office tools. It is crafted of high gloss ABS plastic.

#### Dimensions



### Specification Information

#### Step 1.

**YT825.** [A] \$34

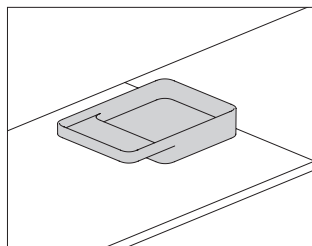
#### Step 2. Finish

**CRT** concrete [A] +\$0

**NYX** onyx [A] +\$0

Tray

YT830.

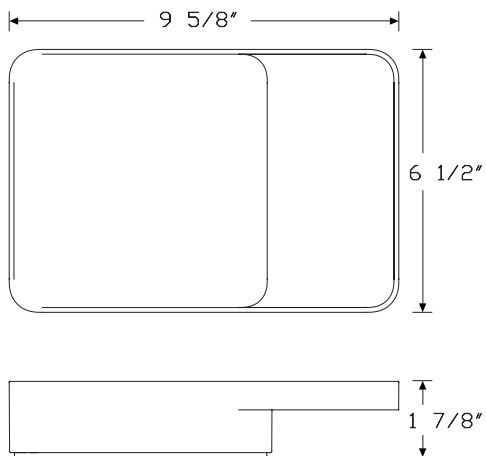


**Product Information**

Description

This stackable tray is designed to hold small office tools and personal items, and has an integrated ledge for storage of other objects such as business cards or a pad of sticky notes. Tray is crafted of high gloss ABS plastic with a silicone base.

Dimensions



**Specification Information**

Step 1.

YT830.  A

Step 2. Size

S small  A

L large  A

Prices for Steps 1-2.

YT830. S	\$36
L	\$46

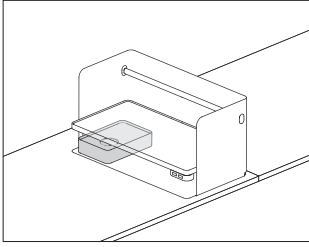
Step 3. Finish

CRT concrete  A +\$0

NYX onyx  A +\$0

Box

YT840.

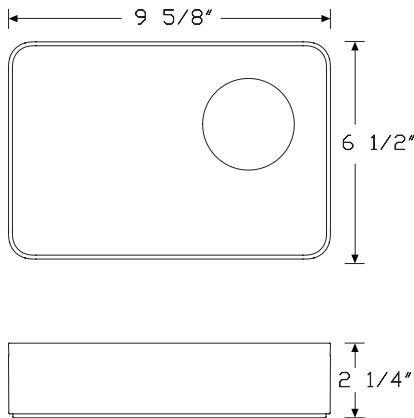


**Product Information**

**Description**

This stackable box is designed to hold office tools and personal items, and has a cup for convenient storage of other objects such as paper clips, tacks, and loose change. It is crafted of high gloss ABS plastic with a silicone base.

**Dimensions**



Thrive® Work Tools

**Specification Information**

**Step 1.**

**YT840.**  A

**Step 2. Size**

**S** small  A

**L** large  A

**Prices for Steps 1-2.**

<b>YT840. S</b>	\$79
<b>L</b>	\$96

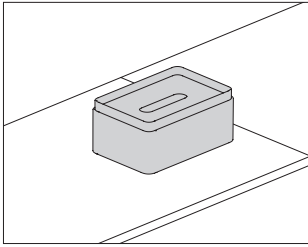
**Step 3. Finish**

**CRT** concrete  A +\$0

**NYX** onyx  A +\$0

# Tissue Box

YT850.

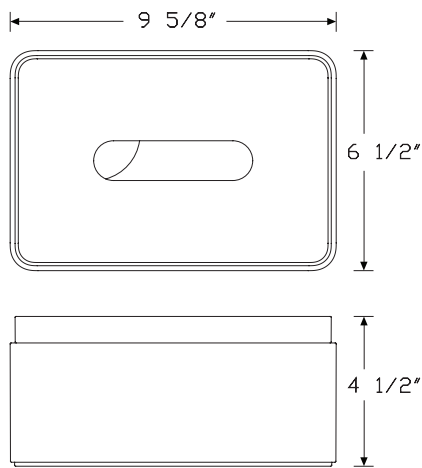


### Product Information

#### Description

The tissue box is crafted of high gloss ABS plastic with a silicone base.

#### Dimensions



### Specification Information

#### Step 1.

**YT850.**  A \$93

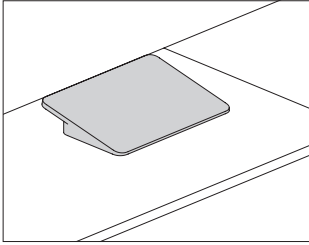
#### Step 2. Finish

**CRT** concrete  A +\$0

**NYX** onyx  A +\$0

# Media Stand

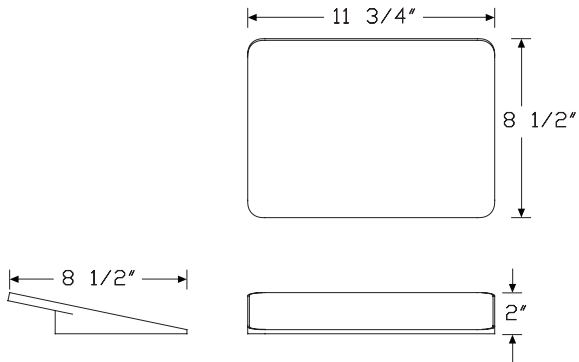
YT860.



### Product Information

**Description**  
The media stand supports tablets, notebooks, and small laptops. It is crafted of high gloss ABS plastic with a silicone top.

### Dimensions



### Specification Information

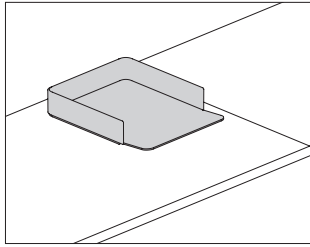
<b>Step 1.</b>		
<b>YT860.</b>	<input type="checkbox"/> A	\$100
<b>Step 2. Finish</b>		
<b>CRT</b>	concrete <input type="checkbox"/> A	+\$0
<b>NYX</b>	onyx <input type="checkbox"/> A	+\$0

Thrive® Work Tools



# Paper Tray

YT870.

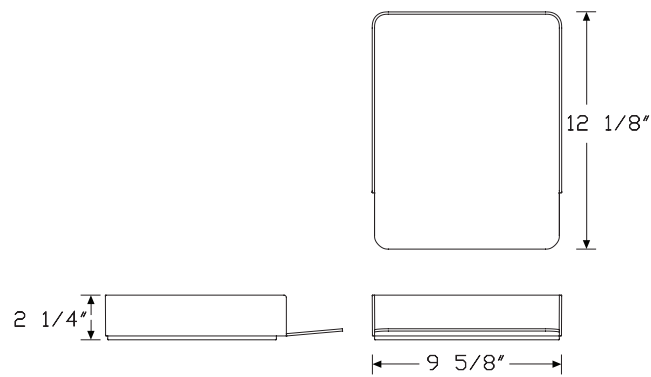


### Product Information

#### Description

This stackable paper tray is crafted of high gloss ABS plastic.

#### Dimensions



### Specification Information

#### Step 1.

**YT870.**  A \$44

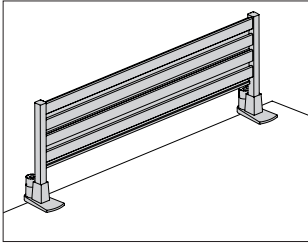
#### Step 2. Finish

**CRT** concrete  A +\$0

**NYX** onyx  A +\$0

# Surface-Attached Tool Rail

Y7100.



### Product Information

#### Description

This all metal rail clamps to the edge of a freestanding surface. It has 4 forward facing slots for mounting. Accessories typically used on Ethospace® tiles and Action Office® rail tiles can be mounted on this surface attached tool rail.

#### Notes

Order accessories such as paper trays and shelves separately.

Surface clamp adjusts to fit surfaces  $\frac{1}{2}$ " to  $1\frac{5}{8}$ " thick.

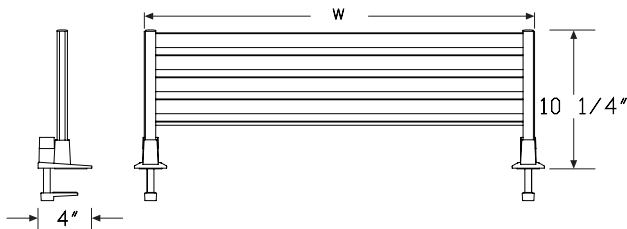
Gap on back side of surface will be 1" to allow for clamping bracket attachment.

There are 4 horizontal slots for hanging accessories on the 8" height unit. 8" height refers to tile height; overall height from top of surface is approximately 10".

Usable hanging space approximately 3" less than overall width.

Not recommended for use with rail mounted monitor arms.

#### Dimensions



### Specification Information

#### Step 1.

**Y7100.**

#### Step 2. Width

- 24** 24" wide
- 30** 30" wide
- 36** 36" wide

#### Step 3. Height

- 08** 8" high

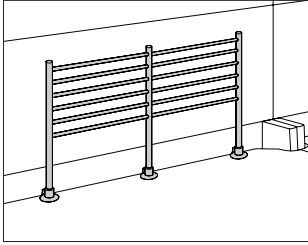
#### Prices for Steps 1-3.

	<b>08</b>
<b>Y7100. 24</b>	\$324
<b>30</b>	\$355
<b>36</b>	\$387

#### Step 4. Finish

<b>91</b> white	+\$0
<b>G2</b> graphite satin	+\$0
<b>MS</b> metallic silver	+\$0

Work Surface-Attached Tool Rail Y7000.



**Product Information**

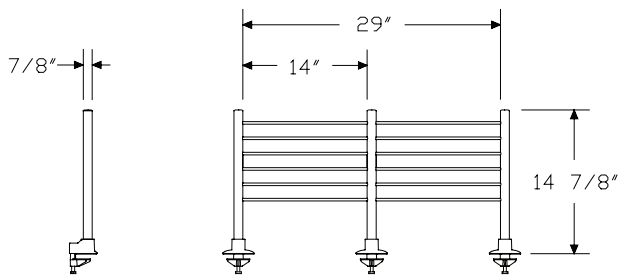
**Description**

This metal rail attaches with C-clamps to the back edge of an Action Office® Series 2 squared-edge work surface, Ethospace® work surface without a cable management trough, Passage® work surface, or squared-edge freestanding surface. It has 6 horizontal rails to hold work tools.

**Notes**

When attaching to Passage surface, 14" rail fits on 30"-wide or larger desk module; 29" rail fits on 42"-wide or larger desk module.  
 When attaching to Action Office Series 2 or Ethospace surface, 14" rail fits on 24"-wide or wider work surface. 29" rail fits on 36"-wide or wider Action Office or Ethospace surface.

**Dimensions**



**Specification Information**

**Step 1.**

**Y7000.**

**Step 2. Width**

- 14** 14" wide
- 29** 29" wide

**Prices for Steps 1-2.**

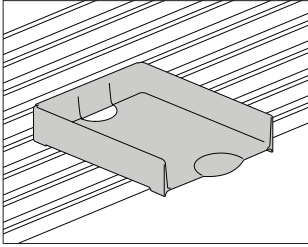
<b>Y7000. 14</b>	\$216
<b>29</b>	\$332

**Step 3. Surface Finish**

<b>8Q</b>	folkstone grey	+\$0
<b>BU</b>	black umber	+\$0
<b>CN</b>	metallic champagne	+\$0
<b>EH</b>	metallic bronze	+\$0
<b>G2</b>	graphite satin	+\$0
<b>HF</b>	inner tone light	+\$0
<b>LU</b>	soft white	+\$0
<b>MS</b>	metallic silver	+\$0
<b>MT</b>	medium tone	+\$0
<b>SG</b>	slate grey	+\$0
<b>WL</b>	sandstone	+\$0
<b>WN</b>	warm grey neutral	+\$0

Paper Tray

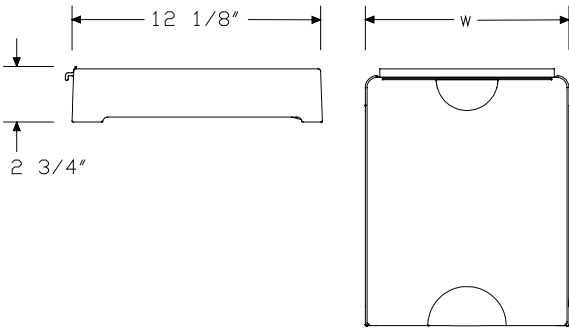
Y7216.



**Product Information**

**Description**  
 This plastic tray hangs from a rail or stands alone to horizontally store letter- or legal-size papers. It has 4 integrated feet on the bottom of the tray for standing on a surface or for stacking vertically.

**Dimensions**



Thrive® Work Tools

**Specification Information**

**Step 1.**

**Y7216.**

**Step 2. Width**

- 10** 10" wide
- 16** 16" wide

**Prices for Steps 1-2.**

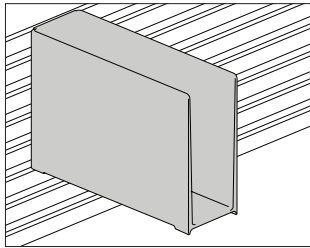
<b>Y7216. 10</b>	\$34
<b>16</b>	\$43

**Step 3. Surface Finish**

<b>91</b>	white	+\$0
<b>BU</b>	black umber	+\$0
<b>CL</b>	cool grey neutral	+\$0
<b>G1</b>	graphite	+\$0
<b>HF</b>	inner tone light	+\$0
<b>LT</b>	light tone	+\$0
<b>LU</b>	soft white	+\$0
<b>MT</b>	medium tone	+\$0
<b>WN</b>	warm grey neutral	+\$0
<b>XF</b>	frosted	+\$5

# Vertical Tray

Y7217.

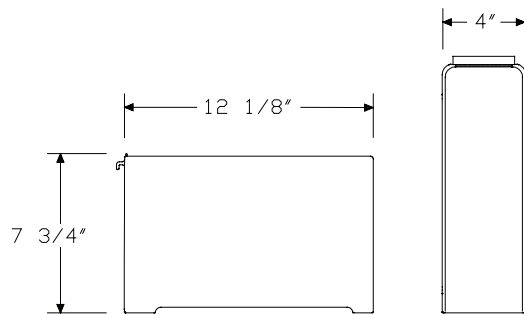


### Product Information

#### Description

This plastic tray hangs from a rail or stands alone to vertically store papers, binders, and folders.

#### Dimensions



### Specification Information

#### Step 1.

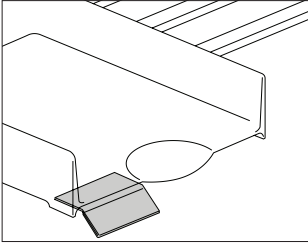
**Y7217.4** \$38

#### Step 2. Surface Finish

<b>91</b>	white	+\$0
<b>BU</b>	black umber	+\$0
<b>CL</b>	cool grey neutral	+\$0
<b>G1</b>	graphite	+\$0
<b>HF</b>	inner tone light	+\$0
<b>LT</b>	light tone	+\$0
<b>LU</b>	soft white	+\$0
<b>MT</b>	medium tone	+\$0
<b>WN</b>	warm grey neutral	+\$0
<b>XF</b>	frosted	+\$5

# Label Holder

Y7215.



### Product Information

**Description**  
This plastic label holder attaches with two-sided tape to a paper tray, vertical holder, diagonal tray, or Stoa® metal paper tray. Finish is clear. Package contains 25.

### Notes

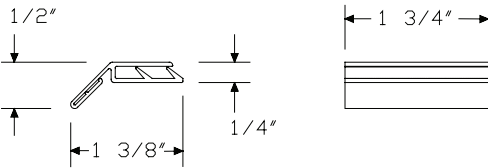
- Order the following products separately:
- Diagonal tray (Y7218.)
  - Paper tray (Y7216.)
  - Vertical tray (Y7217.)

### Dimensions

### Specification Information

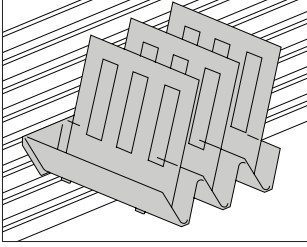
Step 1.  
**Y7215.** \$13

Thrive® Work Tools



# Diagonal Tray

Y7218.

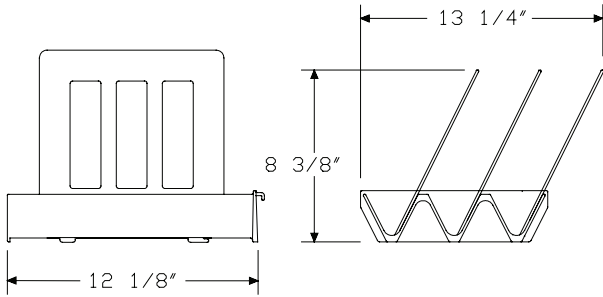


### Product Information

#### Description

This plastic tray hangs from a rail or stands alone to store papers and folders. It has 3 dividers that move to support left- or right-handed activities.

#### Dimensions



### Specification Information

#### Step 1.

**Y7218.** \$55

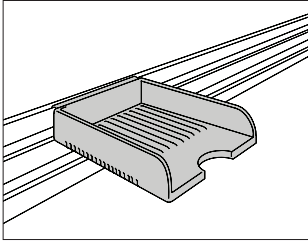
#### Step 2. Surface Finish

<b>91</b>	white	+\$0
<b>BU</b>	black umber	+\$0
<b>CL</b>	cool grey neutral	+\$0
<b>G1</b>	graphite	+\$0
<b>HF</b>	inner tone light	+\$0
<b>LT</b>	light tone	+\$0
<b>LU</b>	soft white	+\$0
<b>MT</b>	medium tone	+\$0
<b>WN</b>	warm grey neutral	+\$0
<b>XF</b>	frosted	+\$5

Thrive® Work Tools

# Paper Tray SK

Y7240.

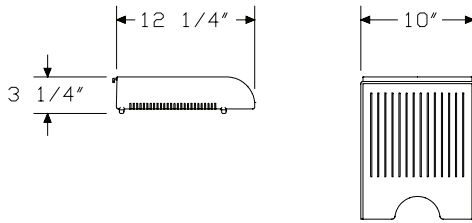


## Product Information

### Description

This 10"-wide tray hangs from a rail or stands alone to store letter-size papers. It has 4 integrated feet on the bottom of the tray for standing on a surface or for stacking vertically.

### Dimensions



## Specification Information

### Step 1.

**Y7240.10**  A \$41

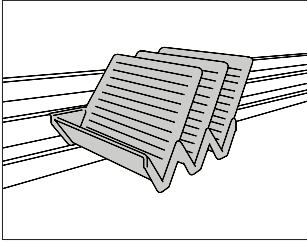
### Step 2. Surface Finish

<b>BU</b>	black umber <input type="checkbox"/> A	+\$0
<b>HF</b>	inner tone light <input type="checkbox"/> A	+\$0
<b>LT</b>	light tone <input type="checkbox"/> A	+\$0
<b>LU</b>	soft white <input type="checkbox"/> A	+\$0
<b>MT</b>	medium tone <input type="checkbox"/> A	+\$0
<b>SG</b>	slate grey <input type="checkbox"/> A	+\$0
<b>XF</b>	frosted <input type="checkbox"/> A	+\$5



# Diagonal Tray SK

Y7241.

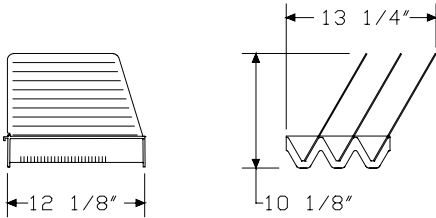


## Product Information

### Description

This tray hangs from a rail or stands alone to store papers and folders. It has 3 transparent dividers that move to support left- or right-handed activities.

### Dimensions



## Specification Information

### Step 1.

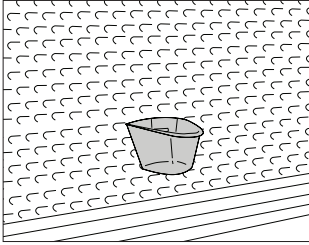
**Y7241.**  A \$60

### Step 2. Surface Finish

<b>BU</b>	black umber <input type="checkbox"/> A	+\$0
<b>HF</b>	inner tone light <input type="checkbox"/> A	+\$0
<b>LT</b>	light tone <input type="checkbox"/> A	+\$0
<b>LU</b>	soft white <input type="checkbox"/> A	+\$0
<b>MT</b>	medium tone <input type="checkbox"/> A	+\$0
<b>SG</b>	slate grey <input type="checkbox"/> A	+\$0
<b>XF</b>	frosted <input type="checkbox"/> A	+\$5

# Pencil Holder

Y7233.

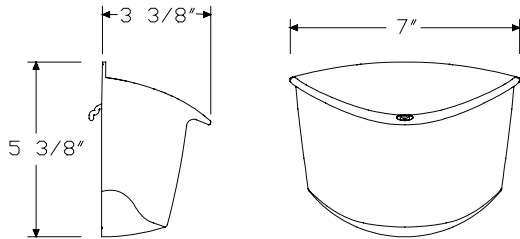


## Product Information

### Description

This bin hangs from a work tool support product. It holds pens, pencils, markers, a cell phone, or other small items. Finish is frosted.

## Dimensions



## Specification Information

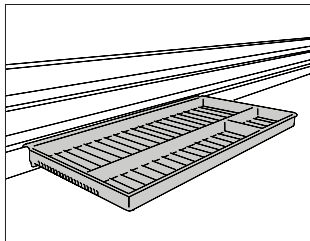
### Step 1.

Y7233.

\$27

# Organizer Tray

Y7210.

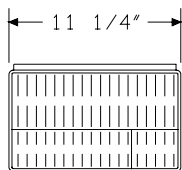
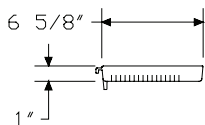


### Product Information

#### Description

This sectioned tray hangs from a rail to store and organize small items.

#### Dimensions



### Specification Information

#### Step 1.

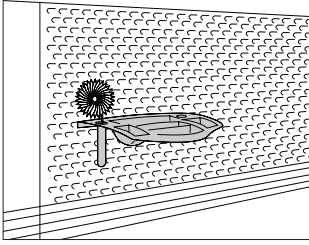
**Y7210.** \$34

#### Step 2. Surface Finish

<b>BU</b>	black umber	+\$0
<b>CL</b>	cool grey neutral	+\$0
<b>HF</b>	inner tone light	+\$0
<b>LT</b>	light tone	+\$0
<b>LU</b>	soft white	+\$0
<b>MT</b>	medium tone	+\$0
<b>SG</b>	slate grey	+\$0
<b>WN</b>	warm grey neutral	+\$0
<b>XF</b>	frosted	+\$5

# Storage Tray

Y7212.

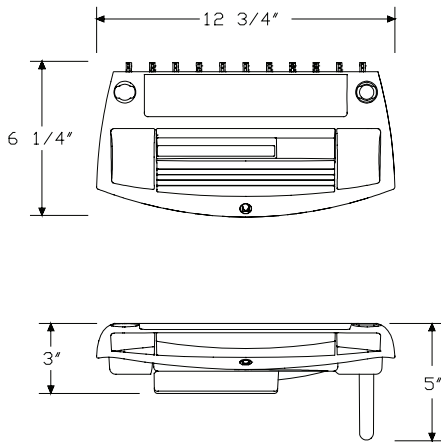


## Product Information

### Description

This tray hangs from a work tool support product. It has small compartments to hold office supplies and personal items. The tray includes a bud vase. Finish is frosted.

### Dimensions



## Specification Information

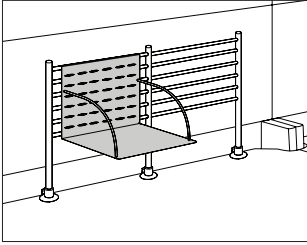
### Step 1.

Y7212.

\$43

# Binder Shelf

Y7312.

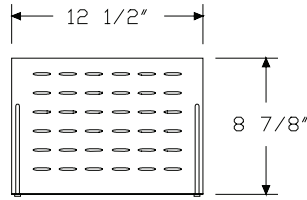
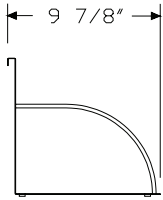


### Product Information

#### Description

This 12"-wide shelf hangs from a rail to vertically store binders and books.

#### Dimensions



### Specification Information

#### Step 1.

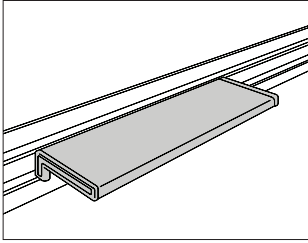
**Y7312.12** \$171

#### Step 2. Surface Finish

<b>8Q</b>	folkstone grey	+\$0
<b>BU</b>	black umber	+\$0
<b>CN</b>	metallic champagne	+\$0
<b>EH</b>	metallic bronze	+\$0
<b>G2</b>	graphite satin	+\$0
<b>HF</b>	inner tone light	+\$0
<b>LU</b>	soft white	+\$0
<b>MS</b>	metallic silver	+\$0
<b>MT</b>	medium tone	+\$0
<b>SG</b>	slate grey	+\$0
<b>WL</b>	sandstone	+\$0

# Mini-Shelf

Y7310.



### Product Information

#### Description

This shelf hangs from a rail to hold or display small items.  
 Metallic silver (MS) shelf has cool grey neutral (CL) ends; metallic champagne (CN) and metallic bronze (EH) shelves have warm grey neutral (WN) ends.

#### Notes

To divide items on mini-shelf, order small rail divider (Y7320.05) separately.

#### Dimensions

### Specification Information

#### Step 1.

**Y7310.**

#### Step 2. Width

<b>15</b>	15" wide
<b>24</b>	24" wide
<b>30</b>	30" wide

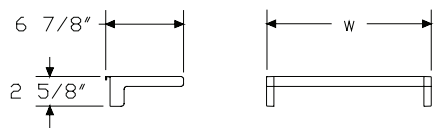
#### Prices for Steps 1-2.

<b>Y7310. 15</b>	\$56
<b>24</b>	\$58
<b>30</b>	\$68

#### Step 3. Surface Finish

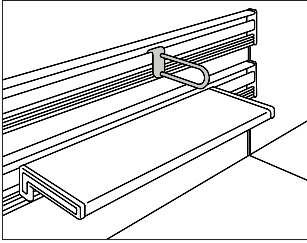
<b>8Q</b>	folkstone grey	+\$0
<b>BU</b>	black umber	+\$0
<b>CL</b>	cool grey neutral	+\$0
<b>CN</b>	metallic champagne	+\$0
<b>EH</b>	metallic bronze	+\$0
<b>HF</b>	inner tone light	+\$0
<b>LU</b>	soft white	+\$0
<b>MS</b>	metallic silver	+\$0
<b>MT</b>	medium tone	+\$0
<b>SG</b>	slate grey	+\$0
<b>WL</b>	sandstone	+\$0
<b>WN</b>	warm grey neutral	+\$0

Thrive® Work Tools



# Rail Divider

Y7320.

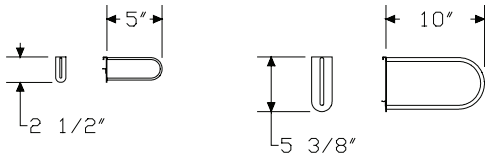


### Product Information

#### Description

This divider hangs from a rail to separate books, folders, and binders on a shelf.

#### Dimensions



### Specification Information

#### Step 1.

**Y7320.**

#### Step 2. Depth

**05** 5" deep  
**10** 10" deep

#### Prices for Steps 1-2.

<b>Y7320. 05</b>	\$20
<b>10</b>	\$22

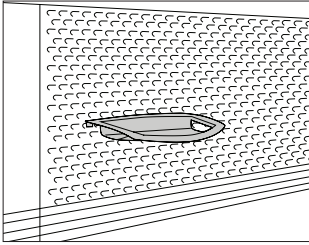
#### Step 3. Surface Finish

<b>8Q</b>	folkstone grey	+\$0
<b>BU</b>	black umber	+\$0
<b>CN</b>	metallic champagne	+\$0
<b>EH</b>	metallic bronze	+\$0
<b>HF</b>	inner tone light	+\$0
<b>LU</b>	soft white	+\$0
<b>MS</b>	metallic silver	+\$0
<b>MT</b>	medium tone	+\$0
<b>SG</b>	slate grey	+\$0
<b>WL</b>	sandstone	+\$0

Thrive® Work Tools

# Display Tray

Y7315.

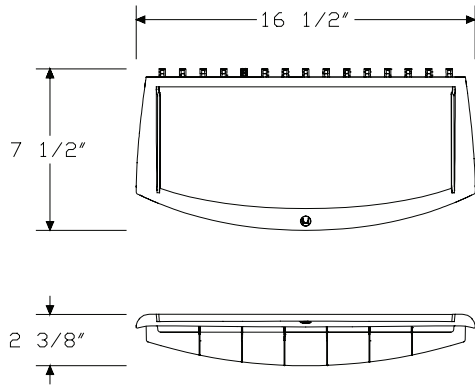


### Product Information

#### Description

This tray hangs from a work tool support product. It holds small display items. Finish is frosted.

#### Dimensions



### Specification Information

#### Step 1.

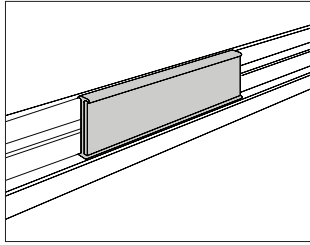
Y7315.

\$43



# Mini-Tackboard

Y7410.

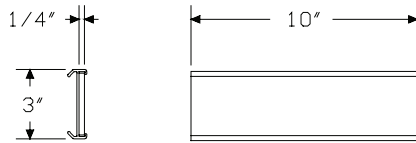


### Product Information

#### Description

This cork surface snaps onto a rail to display notes and other small papers.

#### Dimensions



### Specification Information

#### Step 1.

**Y7410.** \$65

#### Step 2. Trim Finish

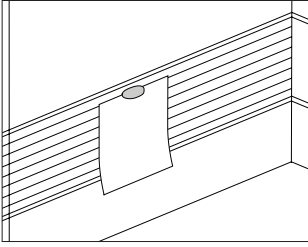
<b>BU</b>	black umber	+\$0
<b>CL</b>	cool grey neutral	+\$0
<b>HF</b>	inner tone light	+\$0
<b>LU</b>	soft white	+\$0
<b>MT</b>	medium tone	+\$0
<b>SG</b>	slate grey	+\$0
<b>WN</b>	warm grey neutral	+\$0

#### Step 3. Cork Finish

<b>CB</b>	camel light	+\$0
<b>CY</b>	grey	+\$0

# Bundle Clip

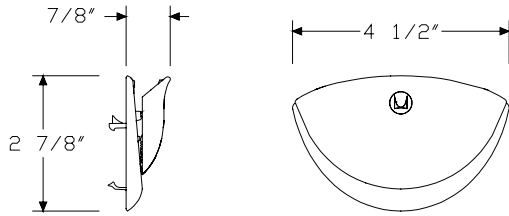
Y7420.



### Product Information

**Description**  
This clip hangs from a work tool support product. It holds up to  $\frac{1}{8}$ " of documents for quick reference. Finish is frosted.

### Dimensions

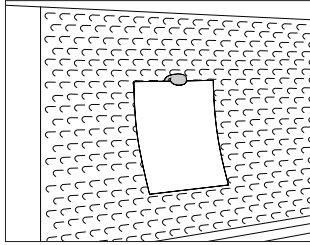


### Specification Information

**Step 1.**  
**Y7420.** \$20

# Document Gripper

Y7421.

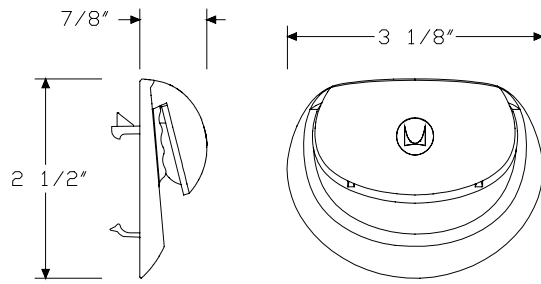


### Product Information

#### Description

This document gripper hangs from a work tool support product. It holds up to 3 sheets of paper for quick reference. Finish is frosted.

#### Dimensions



### Specification Information

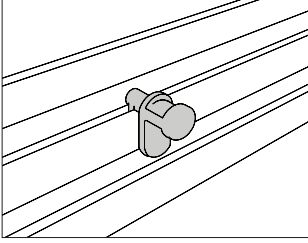
#### Step 1.

Y7421.

\$20

# Hanger Peg

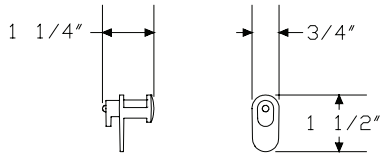
Y7149.



### Product Information

**Description**  
This black peg twist-locks into place on a rail to hold clipboards, keys, scissors, or other small items. Package contains 4.

### Dimensions

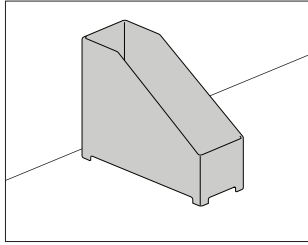


### Specification Information

**Step 1.**  
**Y7149.** \$15

# Magazine Holder

Y7610.

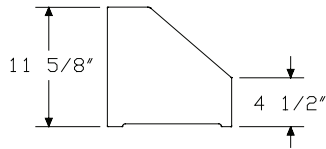
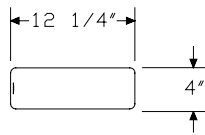


### Product Information

#### Description

This freestanding holder stores papers, binders, folders, or magazines.

#### Dimensions



### Specification Information

#### Step 1.

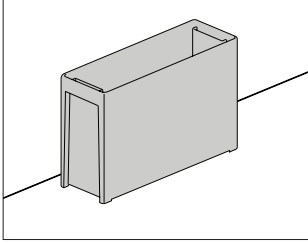
**Y7610.** \$44

#### Step 2. Finish

<b>91</b>	white	+\$0
<b>G1</b>	graphite	+\$0
<b>LU</b>	soft white	+\$0
<b>XF</b>	frosted	+\$5

# Hanging File Holder

Y7620.

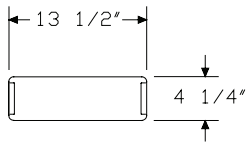


## Product Information

### Description

This freestanding holder stores letter-size hanging file folders.

### Dimensions



## Specification Information

### Step 1.

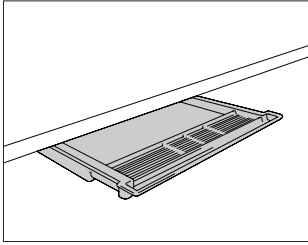
**Y7620.** \$48

### Step 2. Finish

<b>91</b>	white	+\$0
<b>G1</b>	graphite	+\$0
<b>LU</b>	soft white	+\$0
<b>XF</b>	frosted	+\$5

Pencil Drawer

Y5010.

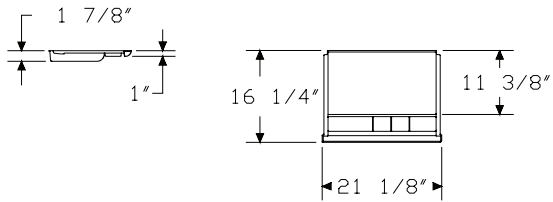


**Product Information**

Description

This plastic drawer mounts under a hanging or freestanding work surface to store pencils and other small items. Mounting hardware is included.

Dimensions



**Specification Information**

Step 1.

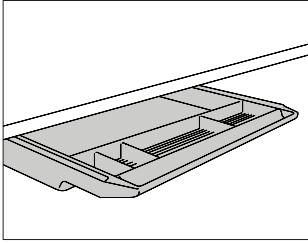
**Y5010.** \$49

Step 2. Surface Finish

<b>8Q</b>	folkstone grey	+\$0
<b>BU</b>	black umber	+\$0
<b>HF</b>	inner tone light	+\$0
<b>LT</b>	light tone	+\$0
<b>LU</b>	soft white	+\$0
<b>MT</b>	medium tone	+\$0
<b>SG</b>	slate grey	+\$0
<b>WL</b>	sandstone	+\$0
<b>WN</b>	warm grey neutral	+\$0

# Metal Pencil Drawer

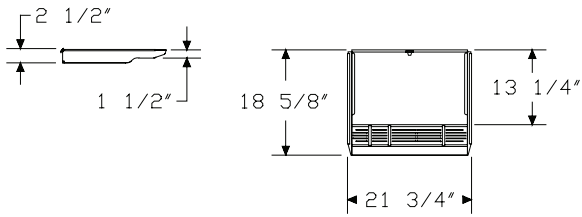
Y5012.



## Product Information

**Description**  
 This metal drawer mounts under a hanging or freestanding work surface to store pencils and other small items. Mounting hardware is included.

## Dimensions



## Specification Information

**Step 1.**  
**Y5012.** \$215

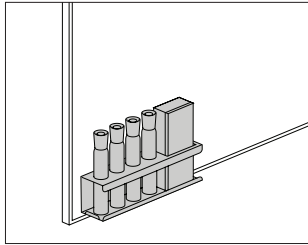
## Step 2. Surface Finish

<b>8Q</b>	folkstone grey	+\$0
<b>98</b>	studio white	+\$0
<b>BU</b>	black umber	+\$0
<b>HF</b>	inner tone light	+\$0
<b>LT</b>	light tone	+\$0
<b>LU</b>	soft white	+\$0
<b>MT</b>	medium tone	+\$0
<b>SG</b>	slate grey	+\$0
<b>WL</b>	sandstone	+\$0
<b>WN</b>	warm grey neutral	+\$0



# Marker/Eraser Holder

Y7231.



### Product Information

#### Description

This metal holder includes 4 erasable markers and an eraser. It attaches to a vertical surface with hook-and-loop fastener, 2-sided tape, or magnetic tape (also included).

#### Dimensions

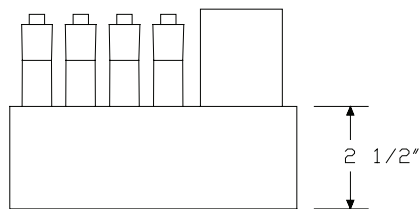
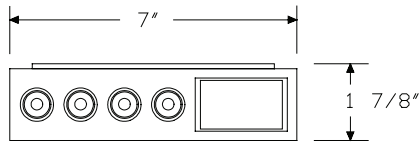
### Specification Information

#### Step 1.

**Y7231.** \$131

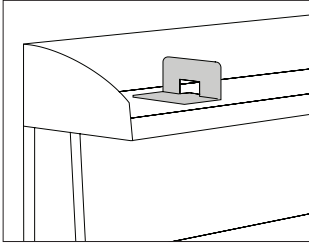
#### Step 2. Finish

<b>91</b>	white	+\$0
<b>BK</b>	black	+\$0
<b>MS</b>	metallic silver	+\$0



# Bookend

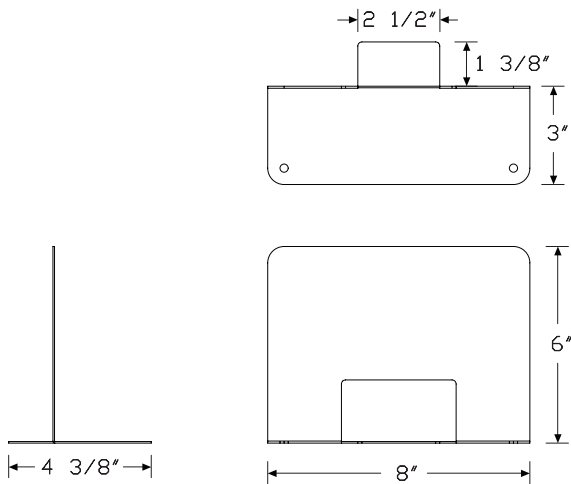
Y7331.



## Product Information

**Description**  
 This bookend is used on a shelf or work surface to vertically divide books and binders. Package contains 3.

## Dimensions



Thrive® Work Tools

## Specification Information

**Step 1.**  
**Y7331.** \$78

## Step 2. Surface Finish

### Nonmetallic Paint

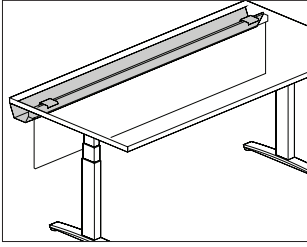
<b>8Q</b>	folkstone grey	+\$0
<b>91</b>	white	+\$0
<b>9J</b>	sparrow	+\$0
<b>BU</b>	black umber	+\$0
<b>G2</b>	graphite satin	+\$0
<b>HF</b>	inner tone light	+\$0
<b>HT</b>	inner tone	+\$0
<b>LT</b>	light tone	+\$0
<b>LU</b>	soft white	+\$0
<b>MT</b>	medium tone	+\$0
<b>SG</b>	slate grey	+\$0
<b>WA</b>	wheat	+\$0
<b>WL</b>	sandstone	+\$0
<b>WN</b>	warm grey neutral	+\$0

### Metallic Paint

<b>1209</b>	platinum	+\$0
<b>1210</b>	hematite	+\$0
<b>1212</b>	bronzite	+\$0
<b>CN</b>	metallic champagne	+\$0
<b>EH</b>	metallic bronze	+\$0
<b>MS</b>	metallic silver	+\$0

# Cable Trough

Y1200.



## Product Information

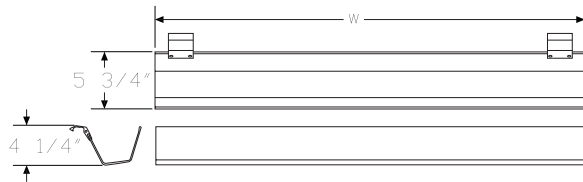
### Description

This trough attaches to a table, desk, peninsula, or work surface to hold and conceal cords and cables. It pivots down to allow easy access when laying cords inside, and can be specified with an optional modesty panel. The modesty panel has a fabric surface with aluminum top rail. Attachment hardware is included.

### Notes

Specify trough to be equal to or less than the surface width.

## Dimensions



## Specification Information

### Step 1.

**Y1200.**

### Step 2. Width

<b>24</b>	24" wide
<b>30</b>	30" wide
<b>36</b>	36" wide
<b>42</b>	42" wide
<b>48</b>	48" wide

### Step 3. Modesty Panel Option

<b>N</b>	no modesty panel
<b>M</b>	modesty panel

### Prices for Steps 1-3.

	<b>N</b>	<b>M</b>
<b>Y1200. 24</b>	\$277	354
<b>30</b>	\$302	398
<b>36</b>	\$333	434
<b>42</b>	\$364	475
<b>48</b>	\$392	516

### Step 4. Cable Trough Finish

<b>AN</b>	clear anodized aluminum	+\$0
-----------	-------------------------	------

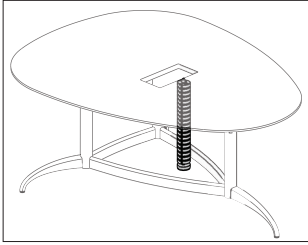
### Step 5. Modesty Panel Fabric

For modesty panel (M)

Price Category 1	+\$0
------------------	------

# Umbilical Riser, Wire Management Fixed Height

Y1430.

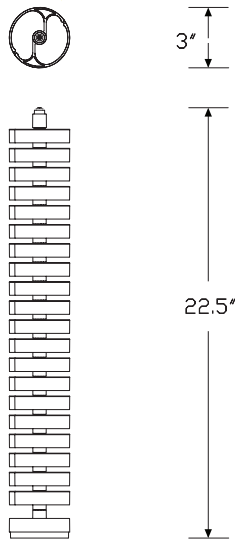


## Product Information

**Description**  
This riser routes power and data cords from the floor to the underside of a surface.

**Notes**  
For use with 29"-high tables, specify seated height (S).  
For use with 39"-high tables, specify collaboration height (C).  
For data capacity, see cable management chart on Kiosk.

## Dimensions



Thrive® Work Tools

## Specification Information

Step 1.

**Y1430.**  A

Step 2. Type

**WF** fixed height  A

Step 3. Table Height

**S** seated height  A

**C** collaboration height  A

Step 4. Attachment

**G** generic attachment  A

Prices for Steps 1-4.

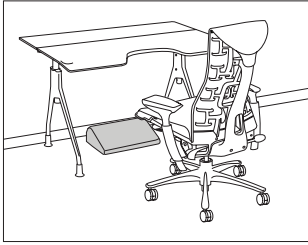
	<b>G</b>
<b>Y1430. WF S</b>	\$143
<b>C</b>	\$207

Step 5. Finish

<b>91</b> white <input type="checkbox"/> A	+\$0
<b>G1</b> graphite <input type="checkbox"/> A	+\$0
<b>MS</b> metallic silver <input type="checkbox"/> A	+\$0

# Foot Pillow

Y7760.



### Product Information

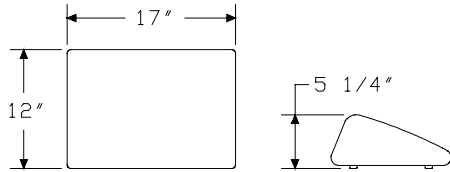
#### Description

This pillow elevates and supports feet. It can be used with any work chair.

#### Notes

Customer's Own Material (COM) requires 1 yard. Customer's Own Leather (COL) requires 7 square feet. See Order Information in Appendices.

#### Dimensions



### Specification Information

#### Step 1.

**Y7760.**

\$280

#### Step 2. Fabric

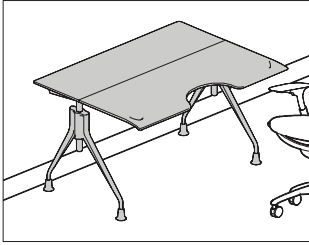
See application chart and textiles list for fabric usage and numbers.

First 2 digits of number indicate fabric line; remaining digit(s) indicate fabric color.

Price Category 1 <input type="checkbox"/> A	+\$0
Price Category 4	+\$14
Price Category 7 <input type="checkbox"/> A	+\$18
Price Category 9	+\$94

# Envelop® Desk

Y7755.



## Product Information

### Description

This desk stands alone or can be used freestanding in a systems environment. The sliding work surface is comprised of 2 sections; the infield section at the front is made of black urethane with a center cutout, the outfield section at the back has a laminate surface with clear plywood edges or a veneer surface with stained plywood edges. With the user seated in a reclined position, the surface of the desk slides forward 7", allowing the infield to pivot down 7 degrees to surround the user and support the forearms and wrists. The desk is designed to be used with all Herman Miller work chairs, or any chair with a synchronous tilt.

It is available with Avive® legs with pin height adjustment or Everywhere™ T-legs with sit-to-stand electric height adjustment. The Avive legs adjust in 1" increments over a 6" range and can be specified with glides or locking casters. The glides have 1" leveling range. The Everywhere legs with standard-height adjustment adjust anywhere over a 19" range. The Everywhere legs with extended-height adjustment adjust anywhere over a 26" range. The legs have glides with 1/2" leveling range. Desk is shipped knocked down.

### Notes

Desk meets or exceeds BIFMA load/weight requirements. For ease of use, limit weight on rear surface to 35 lbs or less.

Items placed on the infield portion of the work surface can tip and fall when infield surface is in the reclined position.

Items placed on any part of the work surface can tip and fall when the work surface is being moved.

Monitor should be secured to the rear surface of the work surface.

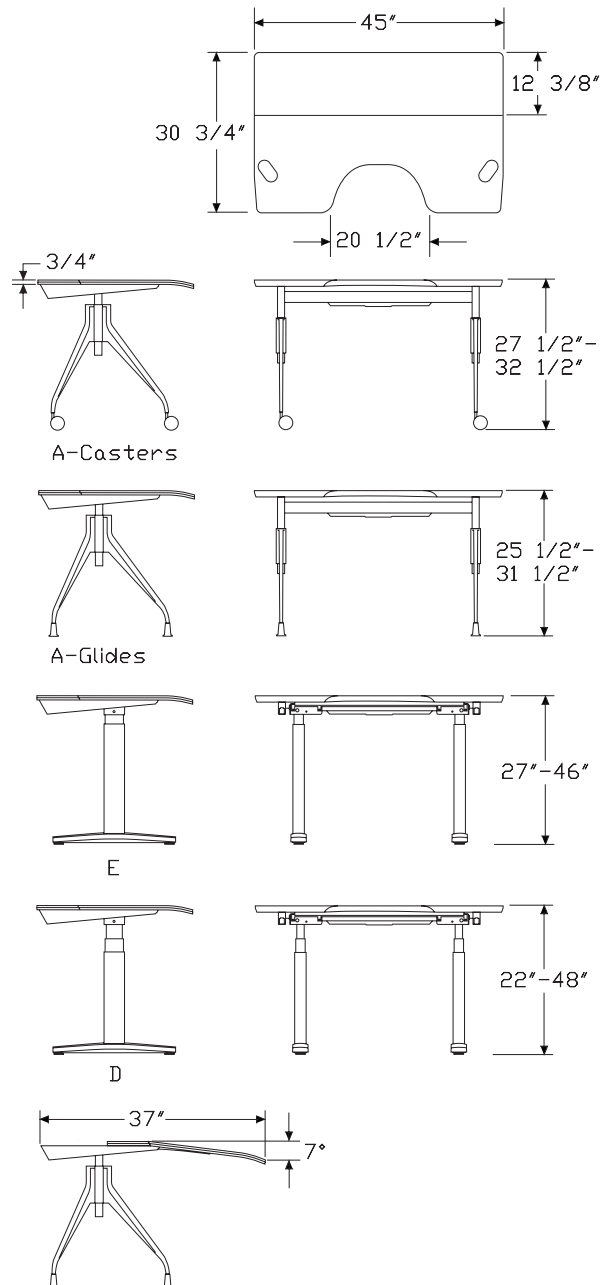
With casters locked, the desk could move slightly depending on the type of floor and the amount of weight on the work surface.

For leg options E and D, leg column finish on polished aluminum (CD) base is black.

Order optional accessories separately:

- Foot pillow (EE900.)

## Dimensions



**Specification Information**

Step 1.

**Y7755.** A

Step 2. Surface Material

**L** laminate A  
**W** veneer A

Step 3. Leg Type

**A** Avive® height-adjustable leg A  
**E** Everywhere™ standard-range electric height-adjustable leg A  
**D** Everywhere™ extended-range electric height-adjustable leg A

Prices for Steps 1-3.

	A	E	D
<b>Y7755. L</b>	\$1398	3537	4145
<b>W</b>	\$1678	3817	4424

Step 4. Top Finish

Solid-Color Laminate

*For laminate (L)*

<b>8Q</b> folkstone grey <span style="border: 1px solid black; padding: 0 2px;">A</span>	+\$0
<b>91</b> white <span style="border: 1px solid black; padding: 0 2px;">A</span>	+\$0
<b>CL</b> cool grey neutral <span style="border: 1px solid black; padding: 0 2px;">A</span>	+\$0
<b>HF</b> inner tone light <span style="border: 1px solid black; padding: 0 2px;">A</span>	+\$0
<b>HT</b> inner tone <span style="border: 1px solid black; padding: 0 2px;">A</span>	+\$0
<b>LU</b> soft white <span style="border: 1px solid black; padding: 0 2px;">A</span>	+\$0
<b>WL</b> sandstone <span style="border: 1px solid black; padding: 0 2px;">A</span>	+\$0
<b>WN</b> warm grey neutral <span style="border: 1px solid black; padding: 0 2px;">A</span>	+\$0
<b>X1</b> chalk white <span style="border: 1px solid black; padding: 0 2px;">A</span>	+\$0

Wood-Grain Laminate

*For laminate (L)*

<b>76</b> light brown walnut <span style="border: 1px solid black; padding: 0 2px;">A</span>	+\$0
<b>HM</b> natural maple <span style="border: 1px solid black; padding: 0 2px;">A</span>	+\$0
<b>HP</b> light anigre <span style="border: 1px solid black; padding: 0 2px;">A</span>	+\$0
<b>HX</b> aged cherry <span style="border: 1px solid black; padding: 0 2px;">A</span>	+\$0
<b>HY</b> walnut on cherry <span style="border: 1px solid black; padding: 0 2px;">A</span>	+\$0
<b>LA</b> light ash <span style="border: 1px solid black; padding: 0 2px;">A</span>	+\$0
<b>LM</b> mahogany <span style="border: 1px solid black; padding: 0 2px;">A</span>	+\$0

Zephyr Laminate

*For laminate (L)*

<b>D1</b> canyon <span style="border: 1px solid black; padding: 0 2px;">A</span>	+\$0
<b>DC</b> misted <span style="border: 1px solid black; padding: 0 2px;">A</span>	+\$0
<b>DF</b> twilight <span style="border: 1px solid black; padding: 0 2px;">A</span>	+\$0
<b>DQ</b> desert <span style="border: 1px solid black; padding: 0 2px;">A</span>	+\$0

Recut Veneer

*For veneer (W)*

<b>RA</b> light ash <span style="border: 1px solid black; padding: 0 2px;">A</span>	+\$0
<b>RK</b> mahogany dark <span style="border: 1px solid black; padding: 0 2px;">A</span>	+\$0
<b>RM</b> mahogany <span style="border: 1px solid black; padding: 0 2px;">A</span>	+\$0

Wood Veneer

*For veneer (W)*

<b>2U</b> light brown walnut <span style="border: 1px solid black; padding: 0 2px;">A</span>	+\$25
<b>ED</b> aged cherry <span style="border: 1px solid black; padding: 0 2px;">A</span>	+\$25
<b>EK</b> medium red walnut <span style="border: 1px solid black; padding: 0 2px;">A</span>	+\$25
<b>EW</b> medium matte walnut <span style="border: 1px solid black; padding: 0 2px;">A</span>	+\$25
<b>UL</b> natural maple <span style="border: 1px solid black; padding: 0 2px;">A</span>	+\$25

Step 5. Base Finish

<b>8Q</b> folkstone grey <span style="border: 1px solid black; padding: 0 2px;">A</span>	+\$0
<b>91</b> white <span style="border: 1px solid black; padding: 0 2px;">A</span>	+\$0
<b>BU</b> black umber <span style="border: 1px solid black; padding: 0 2px;">A</span>	+\$0
<b>CL</b> cool grey neutral <span style="border: 1px solid black; padding: 0 2px;">A</span>	+\$0
<b>G2</b> graphite satin <span style="border: 1px solid black; padding: 0 2px;">A</span>	+\$0
<b>HF</b> inner tone light <span style="border: 1px solid black; padding: 0 2px;">A</span>	+\$0
<b>LU</b> soft white <span style="border: 1px solid black; padding: 0 2px;">A</span>	+\$0
<b>MT</b> medium tone <span style="border: 1px solid black; padding: 0 2px;">A</span>	+\$0
<b>SG</b> slate grey <span style="border: 1px solid black; padding: 0 2px;">A</span>	+\$0
<b>WL</b> sandstone <span style="border: 1px solid black; padding: 0 2px;">A</span>	+\$0
<b>WN</b> warm grey neutral <span style="border: 1px solid black; padding: 0 2px;">A</span>	+\$0
<b>CN</b> metallic champagne <span style="border: 1px solid black; padding: 0 2px;">A</span>	+\$0
<b>EH</b> metallic bronze <span style="border: 1px solid black; padding: 0 2px;">A</span>	+\$0
<b>MS</b> metallic silver <span style="border: 1px solid black; padding: 0 2px;">A</span>	+\$0
<b>CD</b> polished aluminum <span style="border: 1px solid black; padding: 0 2px;">A</span>	+\$110

Step 6.

Casters/Glides

*For Avive® height-adjustable leg (A)*

<b>23</b> casters <span style="border: 1px solid black; padding: 0 2px;">A</span>	+\$0
<b>G7</b> glides <span style="border: 1px solid black; padding: 0 2px;">A</span>	+\$0

---

Glides		
<i>For Everywhere™ standard-range electric height-adjustable leg (E) or Everywhere™ extended-range electric height-adjustable leg (D)</i>		
57	glides <span style="border: 1px solid black; padding: 0 2px;">A</span>	+\$0



# Index by Product Name

Thrive® Portfolio	
	page(s)
Adapter Plate - 100 mm to 200 mm	66
Add-On Tray	97
Adjustable Mouse Tray	98
Adjustable Strap CPU Holder Assembly	76
Altissimo Crossbar	117
Altissimo Prime	115
AV/VC One Base	104
AV/VC One Column Kit	103
AV/VC One Front Box Kit	106
AV/VC One Full Front Panel	107
AV/VC One Screen Mount Kit	105
AV/VC One Shelf	108
AV/VC One Technology Support Kit	102
Bag Hook	226
Beam-Mount Bracket, Wishbone Post	61
Binder Shelf	265
Bookend	278
Box	250
Bundle Clip	270
Cable Trough	279
Cast Grommet	55
Concerto Fixed Beam Assembly	33
Concerto Laptop Mount	63
Concerto Modular Monitor Arm - Arm Only	41
Concerto Modular Monitor Arm Assembly	29
Concerto Monitor Arm Assembly	31
Connect™-Block Connector, 2-Circuit	158
Connect™-Block Connector, 4-Circuit	170
Connect™-Conduit Clamp	174
Connect™-Dual Junction Block Power Kit, 4-Circuit	162
Connect™-Dual Receptacle Power Kit, 2-Circuit	153
Connect™-Duplex Receptacle, 2-Circuit, 15 Amp	152
Connect™-Duplex Receptacle, 4-Circuit	168
Connect™-Ganging Bracket Kit	173
Connect™-Jumper, 2-Circuit	155
Connect™-Junction Block, 4-Circuit	166
Connect™-Junction Block Brackets, 4-Circuit	169
Connect™-Junction Block to Junction Block Jumper, 4-Circuit	164
Connect™ - Modular Power Entry, 2 Circuit, Architectural Wall Receptacle	
Box	151
Connect™-Modular Power Entry, 4 Circuit, Architectural Wall Junction	
Box	161
Connect™-Power Entry, 2-Circuit	150
Connect™-Power Entry, 4-Circuit	159
Connect™-Power Entry, 4-Circuit, New York City	160
Connect™-Power Entry with Plug End, 20 Amp	149

Connect™-Receptacle Brackets, 2-Circuit	157
Connect™-S100	133
Connect™-S200	134
Connect™-S300	135
Connect™ - S310 Electrical Unit with Connect Modular Connection	172
Connect™-S400	137
Connect™-S500	138
Connect™ - S710 - Connect Single Circuit Power Unit	142
Connect™ - S720 - Connect Single Circuit Power Unit	143
Connect™ - S730 - Connect Single Circuit Power Unit	144
Connect™ - S740 - Connect Single Circuit Power Unit	145
Connect™ - S750 - Connect Single Circuit Power Unit	147
Connect™ Single Circuit Electrical By-Pass Jumper	141
Connect™ Single Circuit Electrical Power Entry	140
Connect™-Transition Jumper, 2- to 4-Circuit	171
Controlled Receptacle Decal (12 per sheet)	129
Cord Cleat	214
CPU Holder	79
CPU Holder, Mobile	80
CPU Track Adapter	84
Cubert Task Light	193
Daisyone® Dual-Screen Monitor Arm Assembly	27
Daisyone® Monitor Arm	38
Daisyone® Quad-Screen Monitor Arm Assembly	28
Daisyone® Single-Screen Monitor Arm Assembly	26
Diagonal Tray	259
Diagonal Tray SK	261
Display Tray	268
Document Gripper	271
Dual Flo® Low Profile Surface Clamp Mount	54
Dual Flo® Surface Clamp Mount	53
Enhanced Back-To-Back Post Bracket	71
Envelop® Desk	282
Fabric Modesty Panel	192
Fine Height Adjuster	65
Flex-Edge™ Input Platform	95
Flo® Dual-Screen Monitor Arm - Clamp Mount	10
Flo® Layout Studio Attachment Pin	46
Flo® Low Profile Clamp	43
Flo® Modular Bracket - Bracket Only	68
Flo® Modular Monitor Arm Assembly	11
Flo Plus Dual Mount Bar - Dual Mount Bar Only	70
Flo Plus Monitor Arm - Arm Only	35
Flo® Plus Monitor Arm Assembly	13
Flo Plus Single Head Mount - Head Only	69
Flo Plus Two-Piece Clamp Mount - Clamp Only	51
Flo Power Hub	44

# Index by Product Name *continued*

Index: Product Name

Flo® Resolve Pole Mount Bracket - Only	49	Marker/Eraser Holder	277
Flo® Single Screen Monitor Arm - Arm Only	34	Mbrace Extension Arm	113
Flo® Single-Screen Monitor Arm Support	5	Mbrace Wall-Mounted Technology	110
Flo® Through Mount	45	Media Stand	252
Flo® Two-Piece Clamp Mount	42	Metal Board, Screen Attached	187
Flo® Wall Mount Bracket - Only	50	Metal Pencil Drawer	276
Flute™ Personal Light	197	Metal Straight Screen, Surface Attached with Modesty	204
Foot Pillow	281	Mini-Shelf	266
Formwork Liner	223	Mini-Tackboard	269
Freestanding Palm Rest	114, 100	Mobile Bag Catch	227
Freestanding Shelf	209	Mobile Bag Catch Base Liner	224
Freestanding Shelf Liner	221	Mobile Bag Catch Shelf	228
FX40 Compact Wall-Mount Technology Support	109	Mobile Bag Catch Shelf Liner	225
Glass White Board	189	Modesty Panel	190
Hanger Peg	272	Monitor Platform Shelf	208
Hanging File Holder	274	Monitor Platform Shelf Liner	220
JAW™ Adjustable CPU Holder	82	Monitor Platform Stand Kit #1	240
JAW™ Adjustable CPU Holder Assembly	78	Monitor Platform Stand Kit #2	241
Keyboard Track Adapter	99	Monitor Platform Stand Kit #3	243
Label Holder	258	Name Tag	211
Laminate Screen, Surface Attached	183	Name Tag Clip	186
Lapjack™ Portable Laptop Holder	73	Ode Desk Lamp	198
Laptop Mount	62	Ode Freestanding Floor Lamp	199
Large Organizer	202	Ode Surface-Integrated Lamp	200
Large Organizer Kit #1	234	Ollin Dual Bar	8
Large Organizer Kit #2	236	Ollin Single Screen Monitor Arm - Arm Only	40
Large Organizer Kit #3	238	Ollin Single-Screen Monitor Arm Support	7
LE Series Keyboard Solutions	92	Organizer Liner	218
Logic C1000 Universal Clamp Mount Distributor	125	Organizer Tray	263
Logic G1000 Grommet Mounted Electrical Distributor	127	Paper Tray	256, 253
Logic G1200 Grommet Pass Thru	131	Paper Tray SK	260
Logic HD Cable Manager	132	Pari Screen, Height Adjustable Tables	175
Logic Mini	118	Pencil Drawer	275
Logic Mini Furrow	122	Pencil Holder	262
Logic Mini Furrow - Vine	123	Performance Rail Clamp	47
Logic Mini Grommet	130	Personal Side Screen	178
Logic Mini - Vine	120	Personal Side Screen, Rectangular	182
Lolly Task Light	196	Rail Divider	267
LOOP™ Adjustable CPU Holder	81	Rod Bookend	215
LOOP™ Adjustable CPU Holder Assembly	75	Round Pencil Cup	248
Low-Profile Clamp	60	Shelf	205
LS Series Keyboard Solutions	86	Shelf Backdrop	207
LT Series Keyboard Solutions	90	Shelf Liner	219
LX Series Keyboard Solutions	88	Short Bin	245
Magazine Holder	273	Slim Screen	203
Magnetic Document Clip	210	Slim Screen Liner	222
Magnetic Marker Board	216	Small Organizer	201

## Index by Product Name *continued*

Small Organizer Kit #1	229
Small Organizer Kit #2	230
Small Organizer Kit #3	232
Spreader Plate	67
Squared-Edge Corner Wedge	93
Square Pencil Cup	247
Storage Tray	264
STS Series Keyboard Solutions	85
Surface-Attached Screen, Flat Edge	179
Surface-Attached Tool Rail	254
Surface Clamp	217
Tabetha Tablet Mount	74
Tall Bin	246
Through-Surface Mounting Bracket	52
Through-Surface Mounting Bracket, 1 3/8"	57
Through-Surface Mounting Bracket, 3"	58
Tissue Box	251
TL Series Keyboard Solutions	101
Tone™ Personal Light	194
Tone™ Single-Arm Personal Light	195
Track Mount CPU Enclosure	112
Track Mount Small Cradle CPU Support	111
Tray	249
Umbilical Riser, Wire Management Fixed Height	280
Universal CPU Holder Slide & Rotate Kit	83
USB Power Module	213
Vertical Tray	257
Wishbone® C-Post with Quick Release	39
Wishbone Dual Bar - Bar Only	72
Wishbone® Dual Bar Monitor Arm Assembly	20
Wishbone® Dual-Screen Monitor Arm Assembly	16
Wishbone® Monitor Arm	36
Wishbone® Plus Dual-Screen Monitor Arm Assembly	23
Wishbone® Plus Monitor Arm	37
Wishbone® Plus Quad-Screen Monitor Arm Assembly	24
Wishbone® Plus Single-Screen Monitor Arm Assembly	22
Wishbone® Post	64
Wishbone® Post High Load Top-Surface Mounting Clamp	59
Wishbone Post Performance Rail Clamp	48
Wishbone® Post Top-Mounting Surface Clamp	56
Wishbone® Quad-Screen Monitor Arm Assembly	18
Wishbone® Single-Screen Monitor Arm Assembly	15
Work Surface-Attached Tool Rail	255
Work Surface-Attached Voice/Data Outlet	139



# Index by Product Number

BLE01. Logic Mini Furrow	page(s) 122	Y1374. Connect™ - S740 - Connect Single Circuit Power Unit	145
BLE02. Logic Mini Furrow - Vine	123	Y1375. Connect™ - S750 - Connect Single Circuit Power Unit	147
G9999. Controlled Receptacle Decal (12 per sheet)	129	Y1377. Connect™ Single Circuit Electrical Power Entry	140
Y1113. Modesty Panel	190	Y1378. Connect™ Single Circuit Electrical By-Pass Jumper	141
Y1114. Fabric Modesty Panel	192	Y1412. Logic Mini Grommet	130
Y1116. Pari Screen, Height Adjustable Tables	175	Y1414. Logic Mini	118
Y1117. Personal Side Screen	178	Y1415. Logic Mini - Vine	120
Y1118. Surface-Attached Screen, Flat Edge	179	Y1420. Logic G1200 Grommet Pass Thru	131
Y1119. Personal Side Screen, Rectangular	182	Y1423. Logic C1000 Universal Clamp Mount Distributor	125
Y1120. Laminate Screen, Surface Attached	183	Y1424. Logic HD Cable Manager	132
Y1121. Name Tag Clip	186	Y1425. Logic G1000 Grommet Mounted Electrical Distributor	127
Y1122. Metal Board, Screen Attached	187	Y1430. Umbilical Riser, Wire Management Fixed Height	280
Y1200. Cable Trough	279	Y2091. Squared-Edge Corner Wedge	93
Y1320. Work Surface-Attached Voice/Data Outlet	139	Y5010. Pencil Drawer	275
Y1321. Connect™-S100	133	Y5012. Metal Pencil Drawer	276
Y1322. Connect™-S200	134	Y6465. Lolly Task Light	196
Y1323. Connect™-S300	135	Y6470. Flute™ Personal Light	197
Y1324. Connect™-S400	137	Y6475. Cubert Task Light	193
Y1325. Connect™-S500	138	Y6480. Tone™ Personal Light	194
Y1329. Connect™ - S310 Electrical Unit with Connect Modular Connection	172	Y6481. Tone™ Single-Arm Personal Light	195
Y1338. Connect™-Ganging Bracket Kit	173	Y6485. Ode Desk Lamp	198
Y1339. Connect™-Conduit Clamp	174	Y6486. Ode Freestanding Floor Lamp	199
Y1340. Connect™-Dual Receptacle Power Kit, 2-Circuit	153	Y6487. Ode Surface-Integrated Lamp	200
Y1341. Connect™-Power Entry, 2-Circuit	150	Y7000. Work Surface-Attached Tool Rail	255
Y1342. Connect™-Power Entry with Plug End, 20 Amp	149	Y7100. Surface-Attached Tool Rail	254
Y1343. Connect™-Jumper, 2-Circuit	155	Y7149. Hanger Peg	272
Y1344. Connect™-Block Connector, 2-Circuit	158	Y7210. Organizer Tray	263
Y1345. Connect™-Duplex Receptacle, 2-Circuit, 15 Amp	152	Y7212. Storage Tray	264
Y1347. Connect™-Receptacle Brackets, 2-Circuit	157	Y7215. Label Holder	258
Y1349. Connect™ - Modular Power Entry, 2 Circuit, Architectural Wall Receptacle Box	151	Y7216. Paper Tray	256
Y1350. Connect™-Dual Junction Block Power Kit, 4-Circuit	162	Y7217. Vertical Tray	257
Y1351. Connect™-Power Entry, 4-Circuit	159	Y7218. Diagonal Tray	259
Y1352. Connect™-Power Entry, 4-Circuit, New York City	160	Y7231. Marker/Eraser Holder	277
Y1353. Connect™-Junction Block to Junction Block Jumper, 4-Circuit	164	Y7232. Glass White Board	189
Y1354. Connect™-Block Connector, 4-Circuit	170	Y7233. Pencil Holder	262
Y1355. Connect™-Duplex Receptacle, 4-Circuit	168	Y7240. Paper Tray SK	260
Y1356. Connect™-Transition Jumper, 2- to 4-Circuit	171	Y7241. Diagonal Tray SK	261
Y1357. Connect™-Junction Block Brackets, 4-Circuit	169	Y7310. Mini-Shelf	266
Y1358. Connect™-Junction Block, 4-Circuit	166	Y7312. Binder Shelf	265
Y1359. Connect™-Modular Power Entry, 4 Circuit, Architectural Wall Junction Box	161	Y7315. Display Tray	268
Y1371. Connect™ - S710 - Connect Single Circuit Power Unit	142	Y7320. Rail Divider	267
Y1372. Connect™ - S720 - Connect Single Circuit Power Unit	143	Y7331. Bookend	278
Y1373. Connect™ - S730 - Connect Single Circuit Power Unit	144	Y7410. Mini-Tackboard	269
		Y7420. Bundle Clip	270
		Y7421. Document Gripper	271
		Y7610. Magazine Holder	273
		Y7620. Hanging File Holder	274

# Index by Product Number *continued*

Index: Product Number

Y7710. LE Series Keyboard Solutions	92	Y92038 Universal CPU Holder Slide & Rotate Kit	83
Y7724. LX Series Keyboard Solutions	88	Y92039 CPU Track Adapter	84
Y7727. LT Series Keyboard Solutions	90	Y92040 JAW™ Adjustable CPU Holder	82
Y7728. Add-On Tray	97	Y92041 LOOP™ Adjustable CPU Holder	81
Y7729. Adjustable Mouse Tray	98	Y92043 Lapjack™ Portable Laptop Holder	73
Y7735. Flex-Edge™ Input Platform	95	Y92050 Cast Grommet	55
Y7737. LS Series Keyboard Solutions	86	Y92052 Wishbone® Post Top-Mounting Surface Clamp	56
Y7741. TL Series Keyboard Solutions	101	Y92054 Through-Surface Mounting Bracket, 1 3/8"	57
Y7745. STS Series Keyboard Solutions	85	Y92055 Through-Surface Mounting Bracket, 3"	58
Y7751. Freestanding Palm Rest	114, 100	Y92056 Spreader Plate	67
Y7755. Envelop® Desk	282	Y92057 Beam-Mount Bracket, Wishbone Post	61
Y7760. Foot Pillow	281	Y92071 Wishbone® Post High Load Top-Surface Mounting Clamp	59
Y7793. Keyboard Track Adapter	99	Y92079 Low-Profile Clamp	60
Y7800. Altissimo Prime	115	Y92082 Adapter Plate - 100 mm to 200 mm	66
Y7805. Altissimo Crossbar	117	Y92089 Flo® Layout Studio Attachment Pin	46
Y7812. CPU Holder, Mobile	80	Y92090 Flo® Single Screen Monitor Arm - Arm Only	34
Y7813. CPU Holder	79	Y92091 Flo Power Hub	44
Y7815. Adjustable Strap CPU Holder Assembly	76	Y92092 Flo® Two-Piece Clamp Mount	42
Y91011 Wishbone® Single-Screen Monitor Arm Assembly	15	Y92093 Flo® Low Profile Clamp	43
Y91012 Wishbone® Dual-Screen Monitor Arm Assembly	16	Y92094 Flo® Through Mount	45
Y91015 Wishbone® Quad-Screen Monitor Arm Assembly	18	Y92095 Flo® Resolve Pole Mount Bracket - Only	49
Y91016 Wishbone® Dual Bar Monitor Arm Assembly	20	Y92096 Flo® Wall Mount Bracket - Only	50
Y91021 Wishbone® Plus Single-Screen Monitor Arm Assembly	22	Y92097 Flo Plus Dual Mount Bar - Dual Mount Bar Only	70
Y91022 Wishbone® Plus Dual-Screen Monitor Arm Assembly	23	Y92097 Flo Plus Monitor Arm - Arm Only	35
Y91025 Wishbone® Plus Quad-Screen Monitor Arm Assembly	24	Y92097 Flo Plus Single Head Mount - Head Only	69
Y91041 Daisyone® Single-Screen Monitor Arm Assembly	26	Y92097 Flo Plus Two-Piece Clamp Mount - Clamp Only	51
Y91042 Daisyone® Dual-Screen Monitor Arm Assembly	27	Y92097 Through-Surface Mounting Bracket	52
Y91045 Daisyone® Quad-Screen Monitor Arm Assembly	28	Y92098 Performance Rail Clamp	47
Y91103 JAW™ Adjustable CPU Holder Assembly	78	Y92099 Wishbone Post Performance Rail Clamp	48
Y91104 LOOP™ Adjustable CPU Holder Assembly	75	Y92100 Dual Flo® Surface Clamp Mount	53
Y91171 Flo® Single-Screen Monitor Arm Support	5	Y92101 Dual Flo® Low Profile Surface Clamp Mount	54
Y91174 Flo® Plus Monitor Arm Assembly	13	Y92103 Flo® Modular Bracket - Bracket Only	68
Y91175 Flo® Dual-Screen Monitor Arm - Clamp Mount	10	Y92104 Wishbone Dual Bar - Bar Only	72
Y91177 Laptop Mount	62	Y92115 Tabetha Tablet Mount	74
Y91179 Concerto Modular Monitor Arm Assembly	29	Y94004 FX4o Compact Wall-Mount Technology Support	109
Y91180 Flo® Modular Monitor Arm Assembly	11	Y94015 Mbrace Wall-Mounted Technology	110
Y91185 Concerto Monitor Arm Assembly	31	Y94100 Track Mount Small Cradle CPU Support	111
Y91186 Concerto Fixed Beam Assembly	33	Y94102 Track Mount CPU Enclosure	112
Y91190 Concerto Modular Monitor Arm - Arm Only	41	Y94105 Mbrace Extension Arm	113
Y91191 Concerto Laptop Mount	63	Y95000 Ollin Single Screen Monitor Arm - Arm Only	40
Y92000 Wishbone® Monitor Arm	36	Y95111 Ollin Single-Screen Monitor Arm Support	7
Y92001 Wishbone® Post	64	Y95122 Ollin Dual Bar	8
Y92007 Wishbone® Plus Monitor Arm	37	Y96000 AV/VC One Column Kit	103
Y92009 Enhanced Back-To-Back Post Bracket	71	Y96001 AV/VC One Base	104
Y92014 Daisyone® Monitor Arm	38	Y96002 AV/VC One Screen Mount Kit	105
Y92024 Fine Height Adjuster	65	Y96003 AV/VC One Front Box Kit	106
Y92026 Wishbone® C-Post with Quick Release	39	Y96004 AV/VC One Full Front Panel	107

## Index by Product Number *continued*

Y96005. AV/VC One Shelf	108
Y96111. AV/VC One Technology Support Kit	102
YT100. Small Organizer	201
YT150. Large Organizer	202
YT200. Slim Screen	203
YT250. Metal Straight Screen, Surface Attached with Modesty	204
YT300. Shelf	205
YT310. Shelf Backdrop	207
YT320. Monitor Platform Shelf	208
YT330. Freestanding Shelf	209
YT400. Magnetic Document Clip	210
YT410. Name Tag	211
YT420. USB Power Module	213
YT430. Cord Cleat	214
YT440. Rod Bookend	215
YT450. Magnetic Marker Board	216
YT460. Surface Clamp	217
YT500. Organizer Liner	218
YT510. Shelf Liner	219
YT520. Monitor Platform Shelf Liner	220
YT530. Freestanding Shelf Liner	221
YT540. Slim Screen Liner	222
YT550. Formwork Liner	223
YT560. Mobile Bag Catch Base Liner	224
YT565. Mobile Bag Catch Shelf Liner	225
YT700. Bag Hook	226
YT710. Mobile Bag Catch	227
YT715. Mobile Bag Catch Shelf	228
YT800. Short Bin	245
YT810. Tall Bin	246
YT820. Square Pencil Cup	247
YT825. Round Pencil Cup	248
YT830. Tray	249
YT840. Box	250
YT850. Tissue Box	251
YT860. Media Stand	252
YT870. Paper Tray	253
YT900. Small Organizer Kit #1	229
YT901. Small Organizer Kit #2	230
YT902. Small Organizer Kit #3	232
YT910. Large Organizer Kit #1	234
YT911. Large Organizer Kit #2	236
YT912. Large Organizer Kit #3	238
YT920. Monitor Platform Stand Kit #1	240
YT921. Monitor Platform Stand Kit #2	241
YT922. Monitor Platform Stand Kit #3	243





## 20-Day or Less/Assigned Lead-Time Order Information

### 20-Day or Less and Assigned Lead-Time Programs

20-day or less and assigned lead-time products are designed for established Herman Miller dealers with pre-approved credit.

Products are distributed from multiple manufacturing facilities across the United States. All products and options not designated by an Assigned Lead-Time icon **A** will ship in 20 business days or less after being acknowledged by Herman Miller. Products and options designated by an **A** are on the assigned lead-time program and will ship in 20 days, less than 20 days, or more than 20 days from order acknowledgement.

### Ordering Procedure

Please place orders through Order Manager. If this is not available to you, place orders through mail or fax. Verbal purchase orders will not be accepted.

Order Entry fax number for Passage®, 5000 Series, and Meridian® Filing and Storage: (616) 846 9236.

Order Entry fax number for all other products:  
(616) 654 3085.

For more information, contact your Customer Care representative at:  
(866) 854 3048 EXT 3400.

### Shipments and Delivery

Per Herman Miller Terms and Conditions.

### Changes and Cancellation

Per Herman Miller Terms and Conditions.



# Customer's Own Material Order Information — Workspaces

## Customer's Own Material

### Program Overview

The Customer's Own Material (COM) program gives you the option of using textiles other than those listed. Herman Miller will test textiles for application to Herman Miller products and will process orders for those with approved COM textiles only. COM textiles are on assigned lead times.

Omni lists an overview of fabrics that have been tested and indicates whether or not they were approved for application to Herman Miller products.

Specific information on the terms and conditions, testing, approval, and ordering process for COM is listed below. Questions about the COM program and requests for assistance may be directed to your COM representative at:

(616) 654 3400

(866) 854 3048 EXT 6543400

### Customer's Own Material Warranty

Herman Miller does not warrant COM textiles. COM textiles are tested for application only; they are not tested for performance. The Herman Miller warranty does apply to the underlying products.

Suppliers of COM textiles are responsible for color consistency within commercial tolerances, UV stability, and resistance to soiling and perspiration.

### Customer's Own Material Pricing

COM is a Category 1 fabric. There are no application charges for COM fabrics.

Ordering and payment for COM textile yardage are the responsibility of the customer and the textile supplier.

If desired, Herman Miller will purchase COM textiles directly from True Textiles, C.F. Stinson, Luna Textiles, Maharam, and Momentum Textiles to simplify ordering and shipment. For this service, refer to the Supplier Connection program.

### Application Note

Herman Miller does not guarantee that Customer's Own Material (COM) fabric patterns will align across panels/tiles or from one screen to the next. We also do not guarantee that COM fabric designs will be positioned consistently in the same location across several panels, tiles, or screens.

### Textile Approval

1. Select a COM textile and a Herman Miller product.
2. If your textile is not listed in Omni, obtain a test number from a COM representative at (616) 654 3400. You can also submit your request within Omni. Please have the following information ready before calling: textile name, number, pattern, and the product you will apply it to.
3. Herman Miller will notify you of approval or disapproval within 4 days from receipt of the test yardage.

### Ordering Products with COM

1. Refer to the specific products to determine the yardage required for COM textiles.
2. If your textile is not listed in Omni, call a COM representative at (616) 654 3400 or (866) 854 3048 EXT 6543400. The representative will assign an identification number for your textile (ID#) and will verify yardage requirements for your order.

*Note: Yardage requirements are based on nondirectional, 54"-wide textiles. 66"-wide textiles are needed for application on 60"-wide products. Additional yardage may be needed due to the unique characteristics of a textile.*

3. Enter your order on Order Manager in Omni.
4. Upon receipt of your purchase order, Herman Miller will send you a PO acknowledgment.
5. Arrangements must be made for the textiles to be shipped from the supplier to Herman Miller for application to the Herman Miller products. Textiles must be tagged with the assigned identification number and the roll yardage quantity. See Omni for shipping procedures and current shipping addresses or contact a COM representative at (616) 654 3400 or (866) 854 3048 EXT 6543400.

Products will be scheduled for production when COM textiles are received at Herman Miller. Standard lead times in effect at that time will apply.

*Note: If textiles are to be purchased directly by Herman Miller through the Supplier Connection program, Herman Miller will handle the ordering and shipping process and will schedule your order for production upon receipt of your purchase order (dependent on textile availability). Refer to the Supplier Connection program for more information.*

# Customer's Own Material Order Information — Workspaces

*continued*

## Supplier Connection

### Program Overview

The Supplier Connection program is a service offered by Herman Miller to purchase approved COM textiles directly from True Textiles, C.F. Stinson, Luna Textiles, Maharam, and Momentum Textiles. When you select a textile through this program, Herman Miller will facilitate the ordering, scheduling, and shipment of the textile directly with the supplier.

Suppliers included in the Supplier Connection program keep an active inventory of textiles that are pre-approved for application to Herman Miller products. Pre-approval applies only to the suitability of a textile for manufacturing and application to a Herman Miller product. Omni provides an overview of fabrics that have been tested and indicates whether or not they were approved for application to Herman Miller products.

Specific information on the terms and conditions, testing, approval, and ordering process for the Supplier Connection program is listed below. Questions and requests for assistance may be directed to your COM representative at:

(616) 654 3400

(866) 854 3048 EXT 6543400

### Supplier Connection Warranty

Textiles purchased by Herman Miller through the Supplier Connection program are COM and are not warranted by Herman Miller. COM textiles are tested for application only; they are not tested for performance. The Herman Miller warranty does apply to the underlying products.

Suppliers of COM textiles are responsible for color consistency within commercial tolerances, UV stability, and resistance to soiling and perspiration.

### Supplier Connection Pricing

Textiles purchased by Herman Miller through the Supplier Connection program are COM. COM is a Category 1 fabric. There are no application charges for COM fabrics.

Payment for textiles purchased by Herman Miller through the Supplier Connection program is the responsibility of the customer or dealer. Herman Miller will invoice the order at the supplier's prices published at the time of the order.

### Textile Approval

1. Refer to Omni to identify the approval status of the textile. If your textile is not listed, contact the COM Department to request testing for application to Herman Miller products.
2. Herman Miller will notify you of approval or disapproval in approximately 4 days from receipt of the test yardage. If the textile is approved, it will be assigned a COM identification number.

### Ordering Products with Supplier Connection COM

1. Identify and include the following information on your purchase order:
  - Product number and option
  - Herman Miller's COM identification number
2. Enter your order on Order Manager in Omni.
3. Upon receipt of the purchase order, Herman Miller will process your order and send you a PO acknowledgment. Herman Miller will determine the yardage required to produce your product and will order and schedule for delivery the required textile. Standard lead times in effect at the time the textile is allocated at the supplier will apply to products ordered through this program.

# Proprietary Textiles Application Chart — Workspaces

• Available

**A** Assigned lead-time textile.

See page 3 for exception notes.

	Action Office® Panels/Connectors	Action Office/Ethospace® B-Style Storage	Action Office B-Style Tackboards	Action Office/Ethospace E-Style Storage	Ethospace Tiles/Connectors	Ethospace Work Surface-Attached Screens	Ethospace/Canvas Office Landscape® Privacy Doors	Canvas Tiles/Extended Width Tiles	Canvas B-/E-Style Storage	Canvas Standing Screen and Team Wall Infill	Canvas Tackboards	Layout Studio® Framed Screen	Locale® Display Tackboard	Locale Freestanding Screen and Workbase Screen	Locale L-Desk/D-Desk Screens	Part™ Screens/Flat Edge Screens	Prospect™ Exterior Acoustic Pad	Public Office Landscape® Screen/Desk Top Divider	Renew™ Link Screens	Resolve® Boundary Screens/Flags	Resolve Display Screens	Resolve Rolling Screens/Canopies	Exclave® Tackable Boards and Stowage Tackable Backdrop	Exclave Video-Friendly Tackable Boards and Stowage Tackable Backdrop	Intersect® Screens	Thrive® Personal Side Screen	Tu® Wood Storage Cubby Tackboard	5000 Series Storage and Tackboards	Seating	
<b>Price Category 1</b>																														
COM Customer's Own Material <b>A</b>	1	1	1	1	1		1	1	1	1	•	1	1	1		1		1	1	1					1	1		3	1	
8A__ Bubbletack™																														
2V__ Chain	•	•	•	•	•		•	22	•	•	•	•	•	•		•		•	•						•	•	•	3		
8T__ Crossing (85__)	2	2	2	•	•		•	•	2	•	•	•	•	•	•	•	•	•	•				•	8	•	•	•	3	18	
3DE__ Dex	2	2	2	•	•		•	•	2	•	•	•	•	•	•	•	•	•	•				•		•	•	•	•	•	
95__ Gem	2	2	2	•	•		•	•	2	•	•	•	•												•	•	•	3	•	
2I__ Grasscloth	•	•	•	•	•		•	•	•	•	•	•	•	•	•	•	•	•	•						•	•	•	3		
1MN__ Monologue	2	2	2	•	•		•	•	2	•	•	•	•	•	•	•	•	•	•						•	•	•	•	•	
8B__ Multiscrim™						•														•		•								
5T__ Resonance	•	•	•	•	•		•	•	•	•	•	•	•												•	•	•			
8C__ Scrim Trim																						•								
2M__ Silkworm	•	•	•	•	•		•	•	•	•	•	•	•												•	•	•	3		
22F__ Slant	6		•		•		•	•		•	•	•	•												•		•	3		
235__ Tailored <b>A</b>	•	•		•	•		•	8	•	•	•	•	•												•	•	•	•	•	
1WS__ Whisper	2	2	2	•	•		•	•	2	•	•	•	•	•	•	•	•	•	•	•	•	•			•	•	•		•	
<b>Price Category 2</b>																														
3AR__ Aristo	2	2	2	•	•		•	•	2	•	•	•	•	•	•	•	•	•	•				•		•	•	•		•	
1CD__ Code	•	•	•	•	•		•	•	•	•	•	•	•										•		•					
3P__ ColorGuard		2		•																									•	
51__ Cord	•	•	•	•	•		•	•	•	•	•	•	•												•		•	3		
92__ Crepe	2	•	•	•	•		•	•	•	•	•	•	•										•	8	•	•	•	3	•	
3EP__ Epic	2	2	2	•	•		•	•	2	•	•	•	•	•	•	•	•	•	•				•		•	•	•		•	
22Q__ Fish Net		2	2	•	•		•	•	2	•		•				•	•	•	•										•	
57__ Frost	•	•	•	•	•		•	•	•	•	•	•	•	•	•	•	•	•	•						•	•	•	3		
84__ Grosgrain	4	•	•	•	•		•	8	•	•		•	19												•	19	•	3		
4N__ Horizon	2	2	2	•	•		•	•	•	•	•	•	•												•	•	•	3		
1LM__ Loom	2	2	2	•	•		•	•	•		•	•	•	•	•	•	•	•	•				•		•				•	
1HA__ Medley	2	2	2	•	•		•	•	•	•	•	•	•	•	•	•	•	•	•				•	8	•	•			•	
3A__ Moiré		2	2	•	•		•	22	2	•	•	•	•	•	•	•	•	•	•								•	3	•	
1RV__ Rivet	2	2	2	•	•		•	•	2	•	•		•			•	•	•	•							•	•	•	•	•
8R__ Twist (5S__)	5	2	2	•	•		•	•	2	•	•	•	•	•	•	•	•	•	•						•	•	•	3	18	
22T__ Well Suited		2		•	•		•	2	•																				•	

continued on next page

# Proprietary Textiles Application Chart — Workspaces

continued

	Action Office® Panels/Connectors	Action Office/Ethospace® B-Style Storage	Action Office B-Style Tackboards	Action Office/Ethospace E-Style Storage	Ethospace Tiles/Connectors	Ethospace Work Surface-Attached Screens	Ethospace/Canvas Office Landscape® Privacy Doors	Canvas Tiles/Extended Width Tiles	Canvas B-/E-Style Storage	Canvas Standing Screen and Team Wall Infill	Canvas Tackboards	Layout Studio® Framed Screen	Locale® Display Tackboard	Locale Freestanding Screen and Workbase Screen	Locale L-Desk/D-Desk Screens	Pari™ Screens/Flat Edge Screens	Prospect™ Exterior Acoustic Pad	Public Office Landscape® Screen/Desk Top Divider	Renew™ Link Screens	Resolve® Boundary Screens/Flags	Resolve Display Screens	Resolve Rolling Screens/Canopies	Exclave® Tackable Boards and Stowage Tackable Backdrop	Exclave Video-Friendly Tackable Boards and Stowage Tackable Backdrop	Intersect® Screens	Thrive® Personal Side Screen	Tu® Wood Storage Cubby Tackboard	5000 Series Storage and Tackboards	Seating	
<b>Price Category 3</b>																														
70__ Bento	2	2	2	•				•	2	•	•	•	•	•	•			•	•							•	•	•	•	•
1FB_ Connection	•	•	•	•	•		•	•	•	•	•	•	•	•				•	•							•	•	•	•	•
1FC_ Current	•	•	•	•	•		•	•	•	•	•	•	•	•				•	•							•	•	•	•	•
8Z__ Glaze	•	•	•	•	•		•	•	•	•	•	•	•	•												•	•	•	•	•
47__ Ground Cloth®	•	•	•	•	•		•	•	•	•	•	•	•	•				•	•	•	14			•	8	•	•	•	•	
5D__ Kira 2	2	2	2	•	•		•	•	2	•	•	•	•	•			•	•	•	14					•	•	•	•	•	
22R__ Pins and Needles	2	2	•	•	•		•	•	2	•	•	•	•	•											•	•	•	•	•	
8L__ Savannah	•	20	•	•	•		•	•	•	•	•	•	•	•			•			14					•	•	•	•	•	
8U__ Stitches (5Z__)	2	2	2	•	•		•	•	2	•	•	•	•	•											•	•	•	•	•	
8W__ Strands	•	•	•	•	•		•	•	•	•	•	•	•	•			•	•	•						•	•	•	•	•	
22V__ String Plaid	2	2	2	•	•		•	•	2	•	•	•	•	•			•	•	•						•	•	•	•	•	
<b>Price Category 4</b>																														
2X__ Glisten	•	•	•	•	•		•	•	•	•	•	•	•	•					•						•	•	•	•	•	
22L__ Loft  A		2	2	•	•		•	•	2	•	•	•	•	•			•	•	•				•	8	•	•	•	•	•	
6S__ Quilty	2	2	2	•	•		•	•	2			•	•	•											•	•	•	•	•	
63__ Sironetta	•	•	•	•	•		•	•	•	•	•	•	•	•			•	•	•						•	•	•	•	•	
<b>Price Category 5</b>																														
14A__ Hopsak	2	2	2	•	•		•	•	2	•	•	•	•	•									•	•	•	•	•	•	•	
<b>Price Category 6</b>																														
No fabrics available at this time.																														

- 1 Refer to price book appendices and Omni for COM information.
- 2 Available on all products except 54" and 60" wide.
- 3 Fabric is railroaded for all widths.
- 4 Not available on Action Office (AO) acoustical panels.
- 5 (8R\_\_), (8T\_\_), (85\_\_), and (5S\_\_ ) not available on AO acoustical panels and not available on 54"- or 60"-wide products.
- 6 Not available on Action Office (AO) connectors, cable management, and spacers.
- 8 Available in select colors. See the "Proprietary Textile Colors — Workspaces" appendix.
- 14 Not available on Resolve flags.
- 18 Available on seating products in select colors. See the "Proprietary Textile Colors — Seating" appendix.
- 19 Not available in Grosgrain (84\_\_ ) fabric colors 8401, 8405, and 8413.
- 20 Available only on Ethospace B-Style.
- 22 Not available as railroaded application option for Chain (2Voo) and Moiré (3Aoo) on Canvas Extended Width Tiles.
- 24 Not available on Ethospace cable access tile, cable channel tile, or beltline face tile.

Application Note: Herman Miller cannot guarantee material/pattern alignment in adjacent products. For example, a fabric's pattern may not align from one screen to the next, or from one panel to the next.

# Proprietary Textile Colors – Workspaces

## Price Category 1

**Customer's Own Material**  
See Order Information in  
Appendices.  
Assigned lead-time textile. A

<b>Bubbletack™</b>	
100% polyester	
8A01	Seashell White
8A02	Pearl Grey
8A05	Dune Beige
8A07	Pebble Beige
8A09	Olive Green
8A13	Slate Purple
8A19	Spa Blue
8A24	Sable Grey
8A27	Summer White
8A28	Moth Grey
8A29	Tea Leaf Grey
8A30	Blue Grey
8A31	Dusty Bronze
8A32	Slate Blue
8A33	Caramel Beige
8A34	Kiwi Green
8A35	Studio White
8A36	Blush Grey
8A37	Shale
8A38	Slate
8A39	Eggnog
8A40	Persimmon
8A41	Bud

<b>Chain</b>	
66" wide	
100% recycled polyester	
2V01	Pearl
2V02	Oyster
2V03	Wheat
2V04	Linen
2V05	Wicker
2V06	Bamboo
2V07	Sage
2V08	Spring Wood
2V09	Iceberg

<b>Crossing</b>	
54" wide	
86% antimony-free polyester	
14% polyester	
8T03	Wicker *
8T04	Porcelain *
8T05	Warm Grey *
8T06	Sepia
8T07	Pumpkin
8T08	Copper
8T09	Cranberry
8T10	Tomato
8T11	Mulberry
8T12	Plum
8T13	Green Apple
8T14	Loden
8T15	Spruce
8T16	Periwinkle
8T17	Cerulean
8T18	Indigo
8T19	Shale *
8T20	Brownstone
8T21	Bark
8T22	Tin *
8T23	Graphite
8T24	Black

<b>Crossing</b>	
For workspaces products only.	
54" wide	
86% antimony-free polyester	
14% polyester	
8501	Ivory *
8502	Oyster *

\* Colors available on Exclave®  
Video-friendly Tackable  
Boards and Stowage Tackable  
Backdrop

<b>Dex</b>	
54" wide	
50% recycled polyester	
50% polyester	
3DE01	Frost
3DE02	Silver Pine
3DE03	Stone
3DE04	Shale
3DE05	Charcoal

<b>Gem</b>	
54" wide	
100% antimony-free polyester	
9501	Sesame
9502	Tangerine
9503	Red
9504	Red Violet
9505	Mulberry
9506	Java
9507	Twilight
9508	Bayou
9509	Iris
9510	Berry Blue
9511	Aqua Green
9512	Green Apple
9513	Spruce
9514	Black
9515	Slate Grey
9516	Fog

<b>Grasscloth</b>	
66" wide	
100% recycled polyester	
2I01	Silver Birch
2I02	Pampas
2I03	Sedge
2I07	Lea
2I08	Taro
2I09	Steam Grey
2I10	Cayenne
2I11	Bottle Green
2I12	Surf
2I13	Gravel

<b>Monologue</b>	
54" wide	
56% recycled polyester	
44% polyester	
1MN01	Linen
1MN02	Alabaster
1MN03	Truffle
1MN04	Folkstone
1MN05	Silver Pine
1MN06	Slate
1MN07	Seed
1MN08	Yellow Oxide
1MN09	Persimmon
1MN10	Tundra
1MN11	Meadow
1MN12	Blue Sky
1MN13	Blue Spruce
1MN14	Deep Sea

<b>Multiscrim™</b>	
60" wide	
100% polyester	
8B01	Seashell White
8B02	Pearl Grey
8B05	Dune Beige
8B07	Pebble Beige
8B09	Olive Green
8B15	Slate Purple
8B19	Spa Blue
8B24	Sable Grey
8B27	Summer White
8B28	Moth Grey
8B29	Tea Leaf Grey
8B30	Blue Grey
8B31	Dusty Bronze
8B32	Slate Blue
8B33	Caramel Beige
8B34	Kiwi Green
8B35	Studio White
8B36	Blush Grey
8B37	Shale
8B38	Slate
8B39	Eggnog
8B40	Persimmon
8B41	Bud

Price category 1 continued on  
next page

# Proprietary Textile Colors — Workspaces

continued

## Price Category 1

continued

### Resonance

66" wide	
100% polyester	
5T04	Greige
5T05	Porcelain
5T06	Alabaster
5T15	Iris
5T28	Sugar
5T47	Tobacco
5T54	Saltbush
5T57	Seed
5T58	Sepia
5T59	Tundra
5T60	Iceberg
5T61	Black
5T62	Chamois
5T63	Citrus
5T64	Tangerine
5T65	Red
5T66	Wild Berry
5T67	Boysenberry
5T68	Pistachio
5T69	Green Apple
5T70	Forest
5T71	Jade
5T72	Blue Green
5T73	Bright Turquoise
5T74	Twilight

### Scrim Trim

61" wide	
82% polyester	
18% spandex	
8C01	Seashell White
8C02	earl Grey
8C22	Winter Grey
8C24	Sable Grey

### Silkworm

66" wide	
58% recycled polyester	
42% polyester	
2M01	Cocoon
2M02	Pongee
2M03	Saffron
2M04	Tussah
2M05	Ceylon
2M06	Jasmine
2M07	Shale
2M08	Monsoon

### Slant

66" wide	
51% polyester	
49% recycled polyester	
22F01	Beech Nut
22F02	Chamois
22F03	Chartreuse
22F04	Pesto
22F05	Peacock
22F06	Neptune
22F07	Blueberry
22F08	Boysenberry
22F09	Magenta
22F10	Pumpkin
22F11	Cranberry
22F12	Silver Birch
22F13	Bluestone
22F14	Truffle
22F15	Shale

### Tailored

Assigned lead-time textile. <span style="border: 1px solid black; padding: 0 2px;">A</span>	
54" wide	
56% polyester	
44% recycled polyester	
23501	Studio White *
23502	Sugar
23503	Tomato
23504	Orchid
23505	Boysenberry
23506	Chive
23507	Bluegrass
23508	Cobalt
23509	Cadet
23510	Fog
23511	Graphite
23512	Black
23513	Coffee

\* Color not available on Canvas Tiles.

### Whisper

54" wide	
73% recycled polyester	
27% polyester	
1WS01	Sand Dollar
1WS02	Pebble
1WS03	Silver Birch
1WS04	Iceberg
1WS05	Silver Pine
1WS06	Carbon
1WS07	Cumin
1WS08	Adobe
1WS09	Strawberry
1WS10	Blush
1WS11	Eggplant
1WS12	Willow
1WS13	Sea Grass
1WS14	Pool
1WS15	Blueberry

## Price Category 2

### Aristo

54" wide	
88% recycled polyester	
12% polyester	
Acrylic backing	
3AR01	Forest Moss
3AR02	Light Brindle
3AR03	Mink
3AR04	Copper
3AR05	Adobe
3AR06	Cherry
3AR07	Lilac
3AR08	Green Apple
3AR09	Surf
3AR10	Waterfall
3AR11	Cadet
3AR12	Tin
3AR13	Pewter
3AR14	Grey Brindle
3AR15	Grey Black

### Code

66" wide	
100% Repreve recycled polyester	
1CD01	Linen
1CD02	Khaki
1CD03	Iceberg
1CD04	Zinc
1CD05	Blue Black

Price category 2 continued on next page



# Proprietary Textile Colors — Workspaces

continued

## Price Category 2

continued

ColorGuard	
54" wide	
100% vinyl	
3P01	Grey
3P02	Navy
3P03	Spruce <span style="float: right;">A</span>
3P08	Blueberry <span style="float: right;">A</span>
3P12	Black Plum <span style="float: right;">A</span>
3P14	Black
3P19	Slate
3P31	Horizon Blue <span style="float: right;">A</span>
3P33	Pumice
3P54	Candy Apple <span style="float: right;">A</span>
3P72	Allspice <span style="float: right;">A</span>
3P96	Manzanita <span style="float: right;">A</span>
3P97	Fudge <span style="float: right;">A</span>
3PB2	Sea Grass <span style="float: right;">A</span>
3PB5	Vizcaya Palm <span style="float: right;">A</span>
3PB9	Neptune <span style="float: right;">A</span>
3PC7	Bucksuede <span style="float: right;">A</span>
3PD4	Otter <span style="float: right;">A</span>

A Assigned lead-time color.

Cord	
66" wide	
51% antimony-free polyester	
49% polyester	
5101	Ivory
5102	White Ash
5103	Linen
5104	Bamboo
5105	Sepia
5106	Wicker
5107	Sesame
5108	Kiwi Green
5109	Bayou
5110	Shade
5111	Spring Wood
5112	Summer White

Crepe	
54" wide	
100% recycled polyester	
9201	Licorice
9203	Smoke
9207	Cherry
9209	Claret
9212	Raisin
9218	Aquamarine
9223	Cadet
9241	Beachglass
9243	Midnight
9244	Artichoke
9248	Warm White *
9249	Stone *
9250	Earth
9251	Fog *
9252	Slate Grey
9253	Yellow Dark
9254	Coral
9255	Blush Grey *
9256	Wild Berry
9257	Clover
9258	Caribbean
9259	Cerulean
9260	Brownstone
9261	Shale
9262	Graphite
9263	Tomato
9264	Green Apple

\* Colors available on Exclave®  
Video-friendly Tackable  
Boards and Stowage Tackable  
Backdrop.

Epic	
54" wide	
56% recycled polyester	
44% polyester	
Acrylic backing	
3EP01	Alabaster
3EP02	Smoke
3EP03	Falcon
3EP04	Citrus Spring
3EP05	Copper
3EP06	Urban Orange
3EP07	Poppy
3EP08	Wild Plum
3EP09	Sugar Plum
3EP10	Clover
3EP11	Loden
3EP12	Everglade
3EP13	Mist
3EP14	Peacock
3EP15	Cadet
3EP16	Indigo
3EP17	Spring Wood
3EP18	Grey Brindle
3EP19	Seed
3EP20	Carbon Dark

Fish Net	
55" wide	
100% recycled polyester	
22Q01	Oyster
22Q02	Stone
22Q03	Citrus
22Q04	Curry
22Q05	Chipotle
22Q06	Cherry
22Q07	Fuschia
22Q08	Claret
22Q09	Purple
22Q10	Clover
22Q11	Pesto
22Q12	Peacock
22Q13	Lagoon
22Q14	Twilight
22Q15	Bluestone
22Q16	Storm
22Q17	Black
22Q18	Cocoa

Frost	
66" wide	
100% recycled polyester	
5701	Bisque
5702	Abalone
5703	Porcelain
5704	Honey
5705	Iceberg
5706	Sage
5707	Reed
5708	Steam Grey
5709	Gunmetal
5710	Sable Grey

Grosgrain	
66" wide	
100% recycled polyester	
8401	Pearl * **
8402	White Ash
8403	Warm Grey
8404	Khaki
8405	Oyster *
8406	Celadon
8408	Spa Blue
8409	Bud
8410	Kiwi Green
8411	Bayou
8412	Tin
8413	Iceberg *

\* Colors not available on Canvas  
Dock Mounted Screens, Locale®  
Workbase Screen, Public Office  
Landscape® Screen/Desk Top  
Divider, and Thrive® Personal  
Side Screen.

\*\* Color not available on Canvas  
Tiles.

Price category 2 continued on  
next page

# Proprietary Textile Colors — Workspaces

continued

## Price Category 2

continued

### Horizon

54" wide	
65% antimony-free polyester	
35% polyester	
4N01	Rye Grass
4N02	Sugar Pine
4N03	Silver Pine
4N04	White Ash
4N05	Spring Wood
4N06	Tamarack
4N07	Mushroom
4N08	Haystack
4N09	Oat Grass
4N10	Forest Moss
4N11	Hickory
4N12	Beech Nut
4N13	Pine Cone
4N14	Poplar
4N15	Elderberry

### Loom

54" wide	
100% polyester	
1LM01	Linen
1LM02	Brown Sugar and Spice
1LM03	Brick and Mortar
1LM04	Salt and Pepper
1LM05	Black
1LM06	Lemongrass
1LM07	Poppy
1LM08	Wild Berry
1LM09	Loden
1LM10	Jade
1LM11	Deep Sea

### Medley

54" wide	
100% polyester	
1HA01	Stone *
1HA02	Trail
1HA03	Charcoal
1HA04	Cinder
1HA05	Citrus
1HA06	Papaya
1HA07	Chutney
1HA08	Tundra
1HA09	Feather Grey *
1HA10	Chartreuse
1HA11	Loden
1HA12	Peacock
1HA13	Bayou *
1HA14	Blue Grotto
1HA15	Blueberry
1HA22	Khaki
1HA23	Pewter
1HA24	Yellow Oxide
1HA25	Vintage Rose
1HA26	Raspberry
1HA27	Acai Berry

\* Colors available on Exclave®  
Video-friendly Tackable  
Boards and Stowage Tackable  
Backdrop

### Moiré

54" wide	
100% recycled polyester	
3A01	Concrete
3A02	Biscotti
3A03	Rattan
3A04	Chambray
3A05	Fern
3A08	Violet
3A09	Zin
3A10	Curry
3A11	Spice
3A12	Cork

### Rivet

54" wide	
100% recycled polyester	
1RV01	Twig
1RV02	Deep Clay
1RV03	Woodrose
1RV04	Otter
1RV05	Hemlock
1RV06	Olive
1RV07	Lagoon
1RV08	Deep Sea
1RV09	Charcoal
1RV10	Grey Brindle

### Twist

54" wide	
80% antimony-free polyester	
13% recycled polyester	
7% polyester	
8R05	Wicker
8R10	Poppy
8R14	Tin
8R15	Shale
8R16	Graphite
8R17	Birch
8R18	Sepia
8R22	Blueberry
8R23	Green Apple
8R26	Gunmetal
8R27	Cinder
8R28	Citrus
8R29	Pekoe
8R30	Tangerine
8R31	Red Plum
8R32	Wisteria
8R33	Forest
8R34	Jade Dark
8R35	Waterfall
8R36	Midnight Blue
8R37	arbon Dark

### Twist

For workspaces products only.	
54" wide	
80% antimony-free polyester	
13% recycled polyester	
7% polyester	
5S01	Pearl
5S02	Ivory
5S03	Oyster

Price category 2 continued on next page

# Proprietary Textile Colors — Workspaces

continued

## Price Category 2

continued

Well Suited	
55" wide	
79% polyester	
21% recycled polyester	
22T01	Oyster
22T02	Raffia
22T03	Peppermint
22T04	Wild Berry
22T05	Spring Green
22T06	Mint
22T07	Periwinkle
22T08	Cool Grey
22T09	Citrus
22T10	Pumpkin
22T11	Red
22T12	Fuschia
22T13	Orchid
22T14	Chartreuse
22T15	Green Apple
22T16	Jade
22T17	Peacock
22T18	Blueberry
22T19	Bluestone
22T20	Mink

## Price Category 3

Bento	
54" wide	
100% antimony-free polyester	
7001	Frost
7002	Linen
7003	Khaki
7004	Truffle
7005	Grey Black
7006	Pumpkin
7007	Cranberry
7008	Everglade
7009	Cobalt

Connection	
66" wide	
100% antimony-free polyester	
1FB1	Oyster
1FB2	Linen
1FB3	Iceberg
1FB4	Silver Pine
1FB5	Apricot
1FB6	Cumin
1FB7	Green Apple
1FB8	Slate Blue
1FB9	Metal

Current	
66" wide	
100% antimony-free polyester	
1FC1	Oyster
1FC2	Linen
1FC3	Iceberg
1FC4	Silver Pine
1FC5	Apricot
1FC6	Cumin
1FC7	Green Apple
1FC8	Slate Blue
1FC9	Metal

Glaze	
66" wide	
100% recycled polyester	
8Z01	Wicker
8Z02	Honey
8Z03	Porcelain
8Z04	Celadon
8Z06	Rye
8Z07	Frost
8Z08	Silver Birch

Ground Cloth®	
66" wide	
100% polyester	
4701	Vapor Grey
4721	Warm White *
4722	Fog *
4723	Straw *
4724	Red Orange *
4725	Wild Berry *
4726	Green Apple *
4727	Caribbean *
4728	Midnight *
4729	Cappuccino *

\* Colors available on Exclave®  
Video-friendly Tackable  
Boards and Stowage Tackable  
Backdrop

Kira 2	
54" wide	
100% recycled polyester	
5D11	Flaxen
5D12	Papyrus
5D13	Oasis
5D14	Incense
5D15	Ash
5D16	Falcon

Pins and Needles	
58" wide	
76% recycled polyester	
24% polyester	
22R01	Day and Night
22R02	Night and Day

Savannah	
66" wide	
76% recycled polyester	
24% polypropylene	
8L01	Pearl
8L02	Oyster
8L03	Wheat
8L04	Jute
8L05	Bamboo
8L06	Metal
8L07	Linen
8L08	Celadon
8L09	Moss
8L10	Frost
8L11	Shale
8L12	Pewter

Stitches	
54" wide	
54% polyester	
46% recycled polyester	
8U02	Rye
8U03	Khaki
8U04	Honey
8U05	Cattail
8U08	Cool Grey
8U09	Slate Blue
8U11	Evening Blue
8U12	Charcoal
8U13	Kiwi Green
8U16	Cocoa
8U17	Seed

Stitches	
For workspaces products only.	
54" wide	
54% polyester	
46% recycled polyester	
5Z01	White Ash

Price category 3 continued on next page

# Proprietary Textile Colors — Workspaces

continued

## Price Category 3

continued

Strands	
66" wide	
100% recycled polyester	
8W01	Pebble
8W02	Porcelain
8W03	Taupe
8W04	Honey
8W05	Khaki
8W06	Rye
8W07	Wicker
8W08	Tin
8W09	Cool Grey
String Plaid	
54" wide	
100% recycled polyester	
22V01	Warm White on Khaki
22V02	Mint on Yellow Green
22V03	Mist on Blue Grey
22V04	Sky Blue on Red
22V05	Lime on Magenta
22V06	Bright Green on Green
22V07	Aqua Blue on
Cerulean	
22V08	Ivory on Black

## Price Category 4

Glisten	
66" wide	
84% polyester	
16% recycled polyester	
2X02	Rye
2X05	Iceberg
2X09	Pewter
2X10	Ash
Loft	
Assigned lead-time textile. <span style="border: 1px solid black; padding: 0 2px;">A</span>	
54" wide	
100% wool	
22L01	Heathered Light Green
22L02	Heathered Dark Green
22L03	Heathered Turquoise
22L04	Heathered Navy
22L05	Heathered Orange
22L06	Heathered Red
22L07	Heathered Tan *
22L08	Heathered Grey *
22L09	Heathered Blue *
22L10	Heathered Brown
22L11	Heathered Dark Grey
22L12	Heathered Denim

\* Colors available on Exclave®  
 Video-friendly Tackable  
 Boards and Stowage Tackable  
 Backdrop

## Price Category 5

Quilty	
56" wide	
100% antimony-free polyester	
GreenShield	
6S03	Khaki
6S04	Straw
6S07	Brick
6S10	Mink
6S11	Green Apple
6S13	Indigo
6S14	Zinc
6S15	Slate
6S16	Beachwood
6S17	Paprika
6S18	Plum
6S19	Juniper
6S20	Grey Black
Sironetta	
66" wide	
100% recycled polyester	
6301	Acapella
6302	Sonata
6303	Interlude
6304	Legato
6308	Harmony
6309	Ensemble

Hopsak	
56" wide	
100% recycled polyester	
14A20	Black
14A22	Raw Umber Dark
14A26	Grey Blue Dark
14A30	Sepia Dark
14A38	Emerald Dark
14A39	Yellow Dark
14A40	Orange
14A41	Sienna
14A42	Olive Green Dark
14A43	Crimson
14A44	Crimson Dark Dark
14A45	Violet Dark
14A46	Pink Dark Dark
14A47	Ultramarine Dark
14A48	Cobalt Blue
14A49	Terra Cotta
14A50	Ochre Dark



For more information about our products and services or to see a list of dealers, please visit us at [HermanMiller.com](http://HermanMiller.com) or call (800) 851 1196.

© 2018 Herman Miller, Inc., Zeeland, Michigan

® **HermanMiller**, 3D Intelligent, AO, Action Office, Aeron, ArcSpan, Aside, Avall, Avive, Bubble Lamps, Canvas Office Landscape, Caper, Celle, Co/Struc, Daisiyone, Distil, Eames, Eco-Dematerialized, Embody, Envelop, Equa 2, Ergon 3, Ethospace, Exclave, Fine-Tune, FlexFront, Flo, Formcoat, Formwork, Ground Cloth, Herman Miller for the Home, Herman Miller for Healthcare, Intersect, Kinemat, Lapjack, Layout Studio, Lifework, Limerick, Live Unframed, Living Office, Locale, Maharam, Meridian, Mirra, Passage, Pellicle, Perspectives, PostureFit, Public Office Landscape, Resolve, Rodney, Sayl, Setu, Thrive, Tu, Wishbone, and Y-Tower are among the registered trademarks of Herman Miller, Inc., and its owned subsidiaries.

™ 8Z Pellicle, About Face, AireWeave, Albert, Backfit, Bubbletack, Burdick Group, Butterfly Back, Celeste, Cellular Suspension, Clam, Compass, Connect, Cosm, Cubert, DOT, Duracare, Durawrap, Eames Soft Pad, EnhancedAccess, Everywhere, Flex-Edge, Flute, Harmonic, Herman Miller Select, Hopsak 2, Intent, Iota, Jaw, Keyless Entry, Keyn Chair Group by Herman Miller, Latitude, Lino, Locale, Logic Mini, Logic Power Access Solutions, Live OS, Loop, Lyris, Lyris 2, Made-to-Measure Storage, Metaform Portfolio, Mora, Motia, Multiscrim, Nelson, Pari, Pixelated Support, Plex, PostureFit SL, Prospect, Q, Renew, Sense, Soft Pad, Stackable, Stackable Storage, Striad, Swoop, Tone, TriFlex, Twist, Ubi, Verus and Wireframe are among the trademarks of Herman Miller, Inc., and its owned subsidiaries.

SM Herman Miller Options is among the service marks of Herman Miller, Inc.

Alexander Girard® is a registered trademark of The Alexander Girard Estate.

Chemsurf® is a registered trademark of Wilsonart International.

Corian® is a registered trademark of E. I. du Pont de Nemours and Company Corporation.

Crypton® is a registered trademark of Crypton, Inc.

DACRON® is a registered trademark of INVISTA S.a r.l.

Edelman® Leather is a registered trademark of Edelman Leather, Inc.

FENIX NTM® is a registered trademark of Arpa Industriale S.p.A.

FLEXNET™ is a trademark of Milliken & Company.

Floor Saver Glide® is a registered trademark of Carpin Manufacturing, Inc.

Geiger® is a registered trademark, and Bumper™, Saiba™, and Ward Bennett™ are trademarks, of Geiger International.

Goetz™ is a trademark of Mark W. Goetz.

Hang-It-All® is a registered trademark of Lucia Eames Demetrios, d.b.a. Eames Office.

Holophane® is a registered trademark of Holophane.

Ingeo™ is a trademark of Cargill Dow LLC.

iPad® is a registered trademark of Apple, Inc.

LifeSize® is a registered trademark of LifeSize Communications, Inc.

Magis®, Bombo®, and Me Too® are registered trademarks of Magis S.p.A.

Microsoft® and Natural® Keyboard are registered trademarks of Microsoft Corporation.

Noguchi® and the Noguchi table configuration (trade dress) are registered trademarks, and Rudder Table™ is a trademark, of The Isamu Noguchi Foundation and Garden Museum.

Place Textiles® is a registered trademark of Place Textiles.

SuperSeat™ is a trademark of Dahti Seating, a division of ITW.