



Prices effective February 5, 2018

Casework

| | |
|--|---------------|
| Introduction | page 2 |
| Casework | 3 |
| Base Cabinets | 5 |
| Work Surfaces | 29 |
| Overhead Cabinets | 38 |
| Storage Cabinets | 46 |
| Base Cabinet Components | 50 |
| Overhead Cabinet Components | 65 |
| Storage Cabinet Components | 69 |
| Indices | 79 |
| By Name | 79 |
| By Number | 81 |
| Appendices | |
| 20-Day or Less/Assigned Lead-Time Order Information-Healthcare | |
| Packaging/Keyed-Alike Information-Casework | |
| For the latest materials information, refer to the Materials pages on HermanMiller.com. | |

Introduction

A Note on the Organization of This Book

There are a few signals that will help you understand the organization of this book. Once you know them, you should be able to find your way around easily.

Like a newspaper, this book is formatted with columns of text and illustrations that run vertically.

Information wraps from one column to the next and continues for as many pages as it needs to.

Black bars are clues.

A black bar at the top of a page signals the start of information about a product.

This information is divided into two sections, each signaled by a black bar. Product Information includes a description, additional notes, and dimensional drawings. Specification Information, which always begins at the top of a column, includes a series of steps. Each step represents a decision you need to make in order to complete your product number. Steps must be followed sequentially. The number of pages needed to complete information on a product varies; some will be complete in one page; others may fill three or four pages. Just continue going through the steps until you run into the next product, signaled by the black bar at the top of the page.

Black tabs running along the outside edge of the page help you locate what section you are in or what section you want to go to. You can thumb forwards or backwards to find a section; tabs and text appear on both sides of the page.

The additional pages in the back of the book include the appendices and indices. They are signaled by a long black bar running along the outside edge of the page.

The index is presented two ways.

The first index is in alphabetical order by product name. It can be helpful if you are new to the products and numbering scheme or if you are looking for a type of product, such as work chair or round table.

The second index is by product number. It lists, in alphanumeric order, the base product number, typically a five-digit number.

General Information

This book is effective February 5, 2018, subject to change without notice. Products may be purchased from authorized Herman Miller dealers who will quote prices upon request. For more information about our products and services or to see a list of dealers, visit www.HermanMiller.com.


All prices are list prices. Additional services, such as planning services, design, storage, and installation, are not included and must be added to these prices when the additional services are requested.


Illustrations, specifications, and prices are based on the latest information at the time of publication. The right is reserved to make changes at any time without notice in prices, fabrics, finishes, materials, specifications, and models, and also to discontinue models and finishes.

Dimensions shown in the drawings are engineering drawing dimensions rounded up to the nearest $\frac{1}{8}$ ". Product is shipped set up or knocked down. Products that include "Shipped knocked down" in the description require some assembly. If this statement does not appear in the description, the product is shipped assembled.

Service problems are normally handled by a Herman Miller authorized dealer. Where this cannot be accomplished on a local level, service problems should be referred to the Customer Care Representative for your region, Herman Miller, Inc., Zeeland, Michigan 49464.

20-Day or Less/Assigned Lead-Time Shipments

All products and options in this price book not designated by an Assigned Program icon  will ship in **20 business days or less** after being acknowledged by Herman Miller.

Products and options designated by an  are on the assigned lead-time program and may ship in 20 days, less than 20 days, or more than 20 days from order acknowledgement.

Base Cabinets

Work Surfaces

Overhead Cabinets

Storage Cabinets

Base Cabinet Components

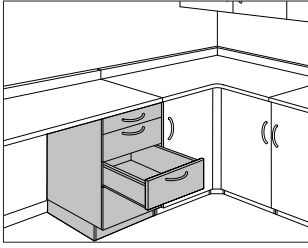
Overhead Cabinet Components

Storage Cabinet Components



Base Cabinet with Drawers

CG602.
CG604.



Product Information

Description

This cabinet has 4 drawers and adjustable glides. Cabinet height without work surface adjusts from 34" to 35½" high.

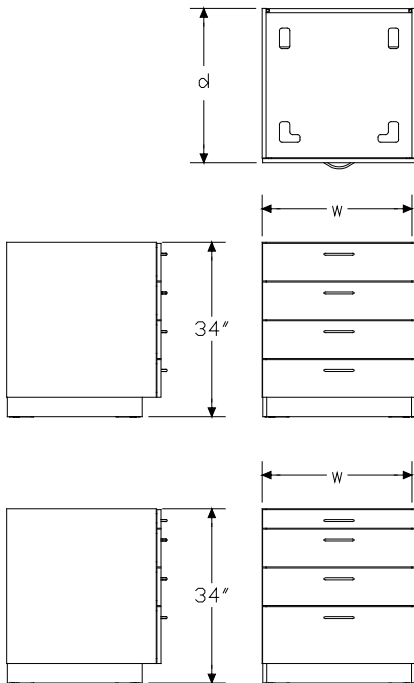
Notes

Order work surface (CG211. or CG212.) or corner work surface (CG218. or CG219.) separately.

For keyed differently lock option (L), all 4 drawers have independent locks.

For keyed-alike locks (K), order lock plugs separately. See Keyed-Alike Information in Appendices.

Dimensions



Specification Information

Step 1.

CG60

Step 2. Configuration

- 2. 4 medium drawers
- 4. 4 drawers: 1 small, 2 medium, 1 large

Step 3. Depth

- 18 18" deep
- 24 24" deep
- 30 30" deep

Step 4. Width

- 18 18" wide
- 24 24" wide
- 30 30" wide

Step 5. Lock

- N no lock
- L keyed differently
- K keyed alike

Prices for Steps 1-5.

| | N | L | K |
|---------------------|--------|------|------|
| CG602. 18 18 | \$1942 | 2174 | 2174 |
| 24 | \$2205 | 2439 | 2439 |
| 30 | \$2512 | 2744 | 2744 |
| 24 18 | \$1983 | 2215 | 2215 |
| 24 | \$2242 | 2474 | 2474 |
| 30 | \$2537 | 2771 | 2771 |
| 30 18 | \$2235 | 2465 | 2465 |
| 24 | \$2504 | 2736 | 2736 |
| 30 | \$2767 | 3001 | 3001 |
| | N | L | K |
| CG604. 18 18 | \$1942 | 2174 | 2174 |
| 24 | \$2205 | 2439 | 2439 |
| 30 | \$2512 | 2744 | 2744 |
| 24 18 | \$1983 | 2215 | 2215 |
| 24 | \$2242 | 2474 | 2474 |
| 30 | \$2537 | 2771 | 2771 |
| 30 18 | \$2235 | 2465 | 2465 |
| 24 | \$2504 | 2736 | 2736 |
| 30 | \$2767 | 3001 | 3001 |

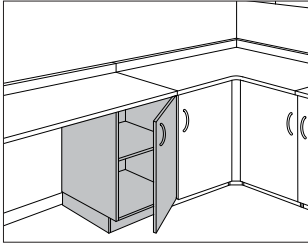
Base Cabinet with Drawers *continued*

Casework Base Cabinets

| Step 6. Surface Finish | | |
|----------------------------|--------------------|--------|
| HF | inner tone light | +\$0 |
| LT | light tone | +\$0 |
| LU | soft white | +\$0 |
| WN | warm grey neutral | +\$0 |
| 76 | light brown walnut | +\$160 |
| 91 | white | +\$160 |
| HM | natural maple | +\$160 |
| HX | aged cherry | +\$160 |
| OG | honey maple | +\$240 |
| Step 7. Pull Option/Finish | | |
| NN | none | +\$0 |
| BK | black | +\$0 |
| NH | brushed nickel | +\$0 |

Base Cabinet with Door

CG608.
CG609.



Product Information

Description

This cabinet has a shelf and door and adjustable glides. The shelf is height adjustable in 1¼" increments. Cabinet height without work surface adjusts from 34" to 35½" high.

Notes

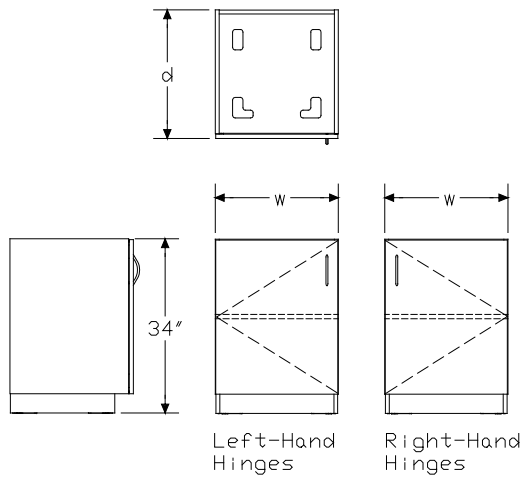
Order work surface (CG211. or CG212.) or corner work surface (CG218. or CG219.) separately.

Order interior components separately:

- Waste container holder (CG903.)

For keyed-alike locks, order lock plugs separately. See Keyed-Alike Information in Appendices.

Dimensions



Specification Information

Step 1.

CG60

Step 2. Hinge Location

- 8.** left-hand hinges
- 9.** right-hand hinges

Step 3. Depth

- 18** 18" deep
- 24** 24" deep
- 30** 30" deep

Step 4. Width

- 18** 18" wide
- 24** 24" wide

Step 5. Lock

- N** no lock
- L** keyed differently
- K** keyed alike

Prices for Steps 1-5.

| | N | L | K |
|---------------------|--------|------|------|
| CG608. 18 18 | \$1065 | 1126 | 1126 |
| 24 | \$1199 | 1260 | 1260 |
| 24 18 | \$1155 | 1220 | 1220 |
| 24 | \$1300 | 1364 | 1364 |
| 30 18 | \$1277 | 1339 | 1339 |
| 24 | \$1431 | 1491 | 1491 |
| | N | L | K |
| CG609. 18 18 | \$1065 | 1126 | 1126 |
| 24 | \$1199 | 1260 | 1260 |
| 24 18 | \$1155 | 1220 | 1220 |
| 24 | \$1300 | 1364 | 1364 |
| 30 18 | \$1277 | 1339 | 1339 |
| 24 | \$1431 | 1491 | 1491 |

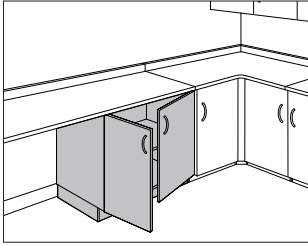
Base Cabinet with Door *continued*

Casework Base Cabinets

| Step 6. Surface Finish | | |
|------------------------|--------------------|--------|
| HF | inner tone light | +\$0 |
| LT | light tone | +\$0 |
| LU | soft white | +\$0 |
| WN | warm grey neutral | +\$0 |
| 76 | light brown walnut | +\$90 |
| 91 | white | +\$90 |
| HM | natural maple | +\$90 |
| HX | aged cherry | +\$90 |
| OG | honey maple | +\$135 |

| Step 7. Pull Option/Finish | | |
|----------------------------|----------------|------|
| NN | none | +\$0 |
| BK | black | +\$0 |
| NH | brushed nickel | +\$0 |

Base Cabinet with Double Doors CG614.



Product Information

Description

This cabinet has a shelf and 2 doors and adjustable glides. The shelf is height adjustable in 1/4" increments. Cabinet height without work surface adjusts from 34" to 35 1/2" high.

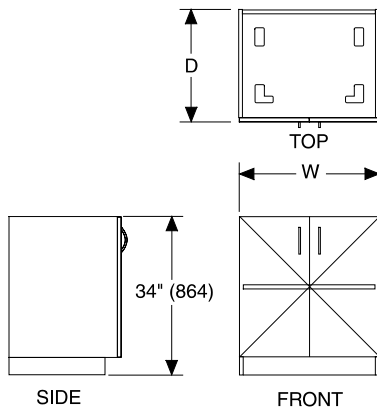
Notes

Order work surface (CG211. or CG212.) or corner work surface (CG218. or CG219.) separately.

Double doors with lock option are controlled by 1 lock.

For keyed-alike locks, order lock plugs separately. See Keyed-Alike Information in Appendices.

Dimensions



Specification Information

Step 1.

CG614.

Step 2. Depth

| | |
|-----------|----------|
| 18 | 18" deep |
| 24 | 24" deep |
| 30 | 30" deep |

Step 3. Width

For 18" deep (18) or 30" deep (30)

| | |
|-----------|----------|
| 30 | 30" wide |
|-----------|----------|

For 24" deep (24)

| | |
|-----------|----------|
| 24 | 24" wide |
| 30 | 30" wide |
| 36 | 36" wide |

Step 4. Lock

| | |
|----------|-------------------|
| N | no lock |
| L | keyed differently |
| K | keyed alike |

Prices for Steps 1-4.

| | N | L | K |
|---------------------|----------|----------|----------|
| CG614. 18 30 | \$1273 | 1335 | 1335 |
| 24 24 | \$1356 | 1418 | 1418 |
| 30 | \$1384 | 1444 | 1444 |
| 36 | \$1495 | 1556 | 1556 |
| 30 30 | \$1512 | 1575 | 1575 |

Step 5. Surface Finish

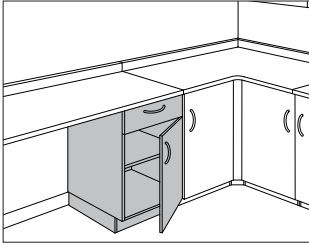
| | | |
|-----------|--------------------|--------|
| HF | inner tone light | +\$0 |
| LT | light tone | +\$0 |
| LU | soft white | +\$0 |
| WN | warm grey neutral | +\$0 |
| 76 | light brown walnut | +\$100 |
| 91 | white | +\$100 |
| HM | natural maple | +\$100 |
| HX | aged cherry | +\$100 |
| OG | honey maple | +\$150 |

Step 6. Pull Option/Finish

| | | |
|-----------|----------------|------|
| NN | none | +\$0 |
| BK | black | +\$0 |
| NH | brushed nickel | +\$0 |

Base Cabinet with Drawer and Door

CG626.
CG627.



Casework Base Cabinets

Product Information

Description

This cabinet has a medium drawer, a shelf, a door and adjustable glides. The shelf is height adjustable in 1/4" increments. Cabinet height without work surface adjusts from 34" to 35 1/2" high.

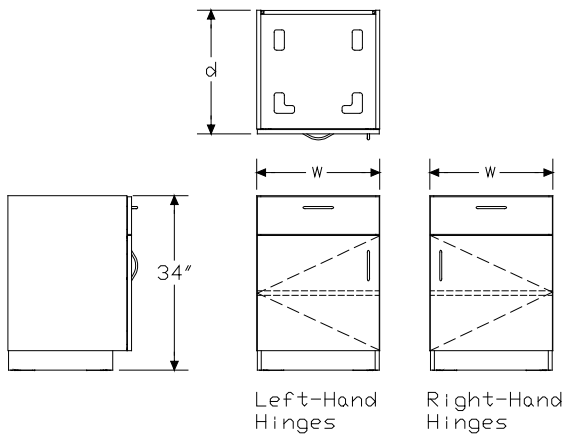
Notes

Order work surface (CG211. or CG212.) or corner work surface (CG218. or CG219.) separately.

Base cabinet with lock includes lock on drawer and door.

For keyed-alike locks, order lock plugs separately. See Keyed-Alike Information in Appendices.

Dimensions



Specification Information

Step 1.

CG62

Step 2. Hinge Location

- 6. left-hand hinges
- 7. right-hand hinges

Step 3. Depth

- 18 18" deep
- 24 24" deep
- 30 30" deep

Step 4. Width

- 18 18" wide
- 24 24" wide

Step 5. Lock

- N no lock
- L keyed differently
- K keyed alike

Prices for Steps 1-5.

| | | N | L | K |
|---------------|--------------|--------|------|------|
| CG626. | 18 18 | \$1244 | 1375 | 1375 |
| | 24 | \$1384 | 1512 | 1512 |
| | 24 18 | \$1320 | 1448 | 1448 |
| | 24 | \$1479 | 1607 | 1607 |
| | 30 18 | \$1433 | 1562 | 1562 |
| | 24 | \$1617 | 1747 | 1747 |
| | | N | L | K |
| CG627. | 18 18 | \$1244 | 1375 | 1375 |
| | 24 | \$1384 | 1512 | 1512 |
| | 24 18 | \$1320 | 1448 | 1448 |
| | 24 | \$1479 | 1607 | 1607 |
| | 30 18 | \$1433 | 1562 | 1562 |
| | 24 | \$1617 | 1747 | 1747 |

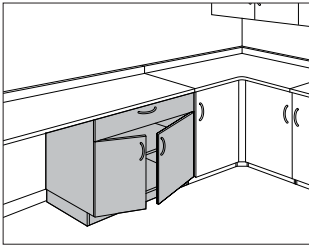
Base Cabinet with Drawer and Door *continued*

| Step 6. Surface Finish | | |
|------------------------|--------------------|--------|
| HF | inner tone light | +\$0 |
| LT | light tone | +\$0 |
| LU | soft white | +\$0 |
| WN | warm grey neutral | +\$0 |
| 76 | light brown walnut | +\$100 |
| 91 | white | +\$100 |
| HM | natural maple | +\$100 |
| HX | aged cherry | +\$100 |
| OG | honey maple | +\$150 |

| Step 7. Pull Option/Finish | | |
|----------------------------|----------------|------|
| NN | none | +\$0 |
| BK | black | +\$0 |
| NH | brushed nickel | +\$0 |

Base Cabinet with Drawer and Double Doors

CG625.



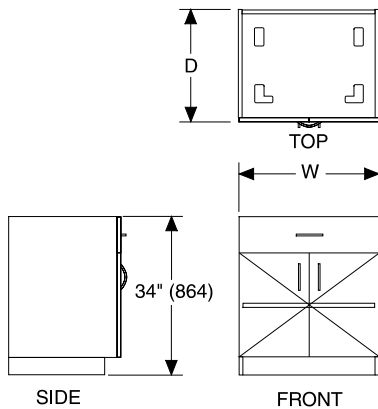
Casework Base Cabinets

Product Information

Description
 This cabinet has a medium drawer, a shelf, 2 doors and adjustable glides. The shelf is height adjustable in 1/4" increments. Cabinet height without work surface adjusts from 34" to 35 1/2" high.

Notes
 Order work surface (CG211. or CG212.) or corner work surface (CG218. or CG219.) separately.
 Base cabinet with lock includes lock on drawer and both doors.
 For keyed-alike locks, order lock plugs separately. See Keyed-Alike Information in Appendices.

Dimensions



Specification Information

Step 1.

CG625.

Step 2. Depth

- 18** 18" deep
- 24** 24" deep
- 30** 30" deep

Step 3. Width

For 18" deep (18) or 30" deep (30)

- 30** 30" wide

For 24" deep (24)

- 24** 24" wide
- 30** 30" wide
- 36** 36" wide

Step 4. Lock

- N** no lock
- L** keyed differently
- K** keyed alike

Prices for Steps 1-4.

| | N | L | K |
|---------------------|--------|------|------|
| CG625. 18 30 | \$1684 | 1811 | 1811 |
| 24 24 | \$1717 | 1845 | 1845 |
| 30 | \$1758 | 1883 | 1883 |
| 36 | \$1797 | 1925 | 1925 |
| 30 30 | \$1809 | 1937 | 1937 |

Step 5. Surface Finish

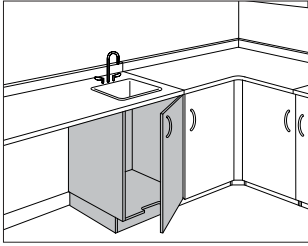
- HF** inner tone light +\$0
- LT** light tone +\$0
- LU** soft white +\$0
- WN** warm grey neutral +\$0
- 76** light brown walnut +\$120
- 91** white +\$120
- HM** natural maple +\$120
- HX** aged cherry +\$120
- OG** honey maple +\$180

Step 6. Pull Option/Finish

- NN** none +\$0
- BK** black +\$0
- NH** brushed nickel +\$0

Sink Cabinet with Door

CG636.
CG637.



Product Information

Description

This 24"-wide cabinet has a base cabinet bottom with a foot pedal cutout, a door and adjustable glides. Cabinet height without work surface adjusts from 34" to 35 1/2" high.

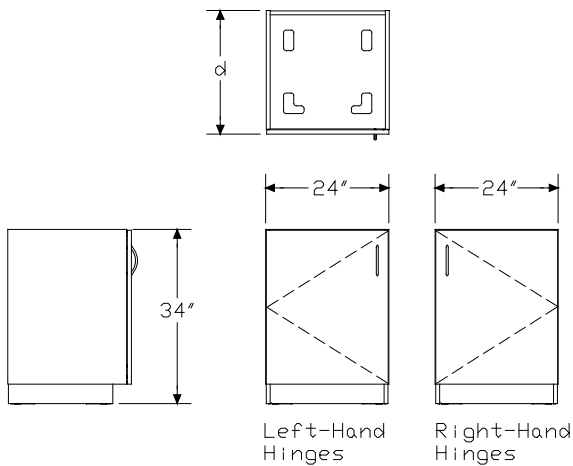
Notes

Order Corian® work surface (CG212. or CG219.) separately.

Sink must be customer supplied and field installed.

For keyed-alike locks, order lock plugs separately. See Keyed-Alike Information in Appendices.

Dimensions



Specification Information

Step 1.

CG63

Step 2. Hinge Location

- 6. left-hand hinges
- 7. right-hand hinges

Step 3. Depth

- 1824** 18" deep
- 2424** 24" deep
- 3024** 30" deep

Step 4. Lock

- N** no lock
- L** keyed differently
- K** keyed alike

Prices for Steps 1-4.

| | N | L | K |
|--------------------|----------|----------|----------|
| CG636. 1824 | \$1136 | 1207 | 1207 |
| 2424 | \$1184 | 1257 | 1257 |
| 3024 | \$1273 | 1342 | 1342 |
| CG637. 1824 | \$1136 | 1207 | 1207 |
| 2424 | \$1184 | 1257 | 1257 |
| 3024 | \$1273 | 1342 | 1342 |

Step 5. Surface Finish

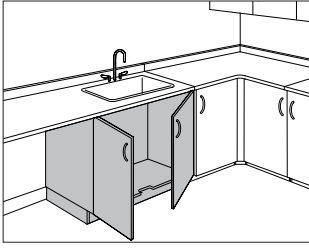
| | | |
|-----------|--------------------|--------|
| HF | inner tone light | +\$0 |
| LT | light tone | +\$0 |
| LU | soft white | +\$0 |
| WN | warm grey neutral | +\$0 |
| 76 | light brown walnut | +\$80 |
| 91 | white | +\$80 |
| HM | natural maple | +\$80 |
| HX | aged cherry | +\$80 |
| OG | honey maple | +\$120 |

Step 6. Pull Option/Finish

| | | |
|-----------|----------------|------|
| NN | none | +\$0 |
| BK | black | +\$0 |
| NH | brushed nickel | +\$0 |

Sink Cabinet with Double Doors CG635.

Casework Base Cabinets



Product Information

Description

This cabinet has a base cabinet bottom with a foot pedal cutout, 2 doors and adjustable glides. Cabinet height without work surface adjusts from 34" to 35 1/2" high.

Notes

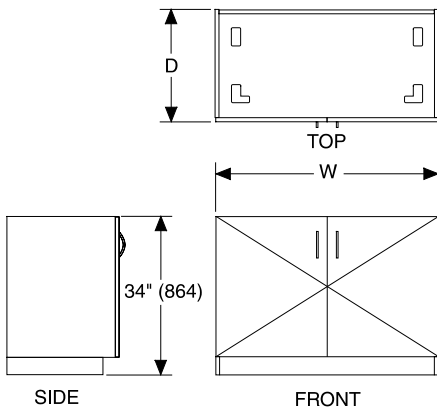
Order Corian® work surface separately:

- Corner work surface (CG219.) for 30"-wide sink cabinet only
- Work surface (CG212.)

Sink must be customer supplied and field installed.

For keyed-alike locks, order lock plugs separately. See Keyed-Alike Information in Appendices.

Dimensions



Specification Information

Step 1.

CG635.

Step 2. Depth

| | |
|-----------|----------|
| 24 | 24" deep |
| 30 | 30" deep |

Step 3. Width

For 24" deep (24)

| | |
|-----------|----------|
| 30 | 30" wide |
| 36 | 36" wide |

For 30" deep (30)

| | |
|-----------|----------|
| 30 | 30" wide |
|-----------|----------|

Step 4. Lock

| | |
|----------|-------------------|
| N | no lock |
| L | keyed differently |
| K | keyed alike |

Prices for Steps 1-4.

| | N | L | K |
|---------------------|----------|----------|----------|
| CG635. 24 30 | \$1331 | 1398 | 1398 |
| 36 | \$1435 | 1503 | 1503 |
| 30 30 | \$1439 | 1507 | 1507 |

Step 5. Surface Finish

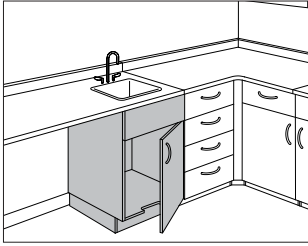
| | | |
|-----------|--------------------|--------|
| HF | inner tone light | +\$0 |
| LT | light tone | +\$0 |
| LU | soft white | +\$0 |
| WN | warm grey neutral | +\$0 |
| 76 | light brown walnut | +\$100 |
| 91 | white | +\$100 |
| HM | natural maple | +\$100 |
| HX | aged cherry | +\$100 |
| OG | honey maple | +\$150 |

Step 6. Pull Option/Finish

| | | |
|-----------|----------------|------|
| NN | none | +\$0 |
| BK | black | +\$0 |
| NH | brushed nickel | +\$0 |

Sink Cabinet with Door and Drawer Front

CG643.
CG644.



Product Information

Description

This 24"-wide cabinet has a base cabinet bottom with a foot pedal cutout, a medium-size drawer front, a door and adjustable glides. Cabinet height without work surface adjusts from 34" to 35 1/2" high.

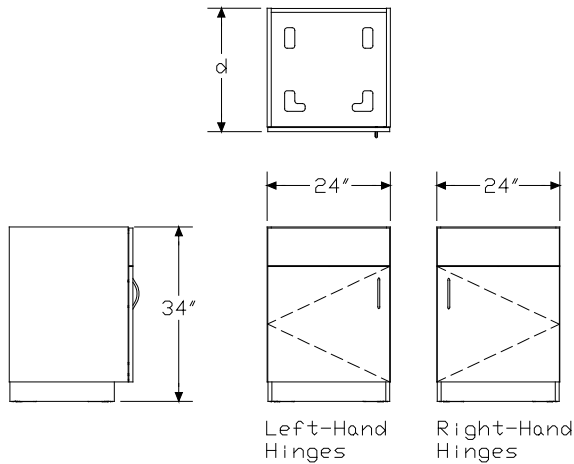
Notes

Order Corian® work surface (CG212. or CG219.) separately.

Sink must be customer supplied and field installed.

For keyed-alike locks, order lock plugs separately. See Keyed-Alike Information in Appendices.

Dimensions



Specification Information

Step 1.

CG64

Step 2. Hinge Location

- 3. left-hand hinges
- 4. right-hand hinges

Step 3. Depth

- 1824** 18" deep
- 2424** 24" deep
- 3024** 30" deep

Step 4. Lock

- N** no lock
- L** keyed differently
- K** keyed alike

Prices for Steps 1-4.

| | N | L | K |
|--------------------|----------|----------|----------|
| CG643. 1824 | \$1111 | 1181 | 1181 |
| 2424 | \$1173 | 1245 | 1245 |
| 3024 | \$1277 | 1347 | 1347 |
| CG644. 1824 | \$1111 | 1181 | 1181 |
| 2424 | \$1173 | 1245 | 1245 |
| 3024 | \$1405 | 1347 | 1347 |

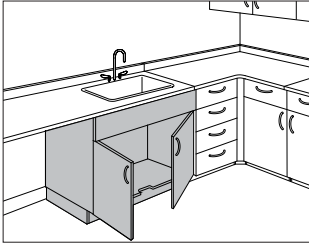
Step 5. Surface Finish

| | | | |
|-----------|--------------------|--|--------|
| HF | inner tone light | | +\$0 |
| LT | light tone | | +\$0 |
| LU | soft white | | +\$0 |
| WN | warm grey neutral | | +\$0 |
| 76 | light brown walnut | | +\$80 |
| 91 | white | | +\$80 |
| HM | natural maple | | +\$80 |
| HX | aged cherry | | +\$80 |
| OG | honey maple | | +\$120 |

Step 6. Pull Option/Finish

| | | | |
|-----------|----------------|--|------|
| NN | none | | +\$0 |
| BK | black | | +\$0 |
| NH | brushed nickel | | +\$0 |

Sink Cabinet with Double Doors and Drawer Front CG642.



Casework Base Cabinets

Product Information

Description

This cabinet has a base cabinet bottom with a foot pedal cutout, a medium-size drawer front, 2 doors and adjustable glides. Cabinet height without work surface adjusts from 34" to 35 1/2" high.

Notes

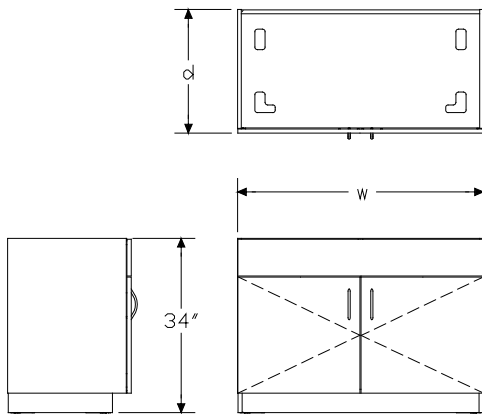
Order Corian® work surface separately:

- Corner work surface (CG219.) for 30"-wide sink cabinet only
- Work surface (CG212.)

Sink must be customer supplied and field installed.

For keyed-alike locks, order lock plugs separately. See Keyed-Alike Information in Appendices.

Dimensions



Specification Information

Step 1.

CG642.

Step 2. Depth

- 24** 24" deep
- 30** 30" deep

Step 3. Width

- 30** 30" wide
- 36** 36" wide
- 48** 48" wide

Step 4. Lock

- N** no lock
- L** keyed differently
- K** keyed alike

Prices for Steps 1-4.

| | N | L | K |
|---------------------|----------|----------|----------|
| CG642. 24 30 | \$1335 | 1402 | 1402 |
| 36 | \$1571 | 1640 | 1640 |
| 48 | \$1636 | 1705 | 1705 |
| 30 30 | \$1507 | 1575 | 1575 |
| 36 | \$1686 | 1752 | 1752 |
| 48 | \$1755 | 1825 | 1825 |

Step 5. Surface Finish

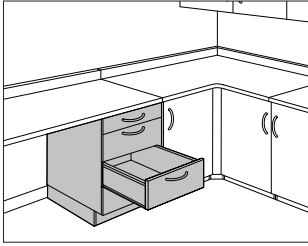
| | | |
|-----------|--------------------|--------|
| HF | inner tone light | +\$0 |
| LT | light tone | +\$0 |
| LU | soft white | +\$0 |
| WN | warm grey neutral | +\$0 |
| 76 | light brown walnut | +\$120 |
| 91 | white | +\$120 |
| HM | natural maple | +\$120 |
| HX | aged cherry | +\$120 |
| OG | honey maple | +\$180 |

Step 6. Pull Option/Finish

| | | |
|-----------|----------------|------|
| NN | none | +\$0 |
| BK | black | +\$0 |
| NH | brushed nickel | +\$0 |

ADA Base Cabinet with Drawers

CG800.
CG801.



Product Information

Description

This cabinet has 4 drawers and adjustable glides. Cabinet height without work surface adjusts from 32" to 33 1/2" high.

Notes

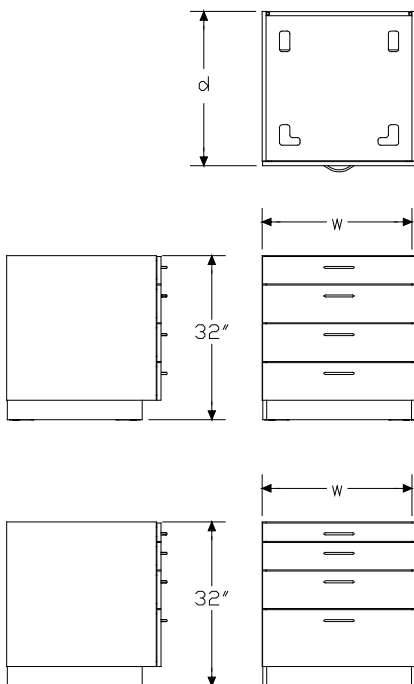
Order work surface (CG211. or CG212.) or corner work surface (CG218. or CG219.) separately.

Height conforms to guidelines of Americans with Disability Act (ADA).

For keyed differently lock option (L), all 4 drawers have independent locks.

For keyed-alike locks (K), order lock plugs separately. See Keyed-Alike Information in Appendices.

Dimensions



Specification Information

Step 1.

CG80

Step 2. Configuration

- 0.** 4 drawers: 1 small, 3 medium
- 1.** 4 drawers: 2 small, 1 medium, 1 large

Step 3. Depth

- 18** 18" deep
- 24** 24" deep

Step 4. Width

- 18** 18" wide
- 24** 24" wide
- 30** 30" wide

Step 5. Lock

- N** no lock
- L** keyed differently
- K** keyed alike

Prices for Steps 1-5.

| | N | L | K |
|---------------------|--------|------|------|
| CG800. 18 18 | \$1760 | 2020 | 2020 |
| 24 | \$2002 | 2257 | 2257 |
| 30 | \$2277 | 2534 | 2534 |
| 24 18 | \$1801 | 2056 | 2056 |
| 24 | \$2032 | 2291 | 2291 |
| 30 | \$2300 | 2555 | 2555 |
| | N | L | K |
| CG801. 18 18 | \$1760 | 2020 | 2020 |
| 24 | \$2002 | 2257 | 2257 |
| 30 | \$2277 | 2534 | 2534 |
| 24 18 | \$1801 | 2056 | 2056 |
| 24 | \$2032 | 2291 | 2291 |
| 30 | \$2300 | 2555 | 2555 |

ADA Base Cabinet with Drawers

continued

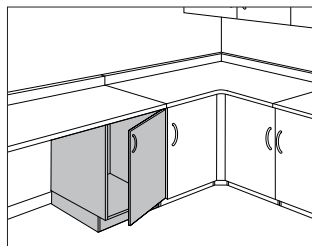
Casework Base Cabinets

| Step 6. Surface Finish | | |
|------------------------|--------------------|--------|
| HF | inner tone light | +\$0 |
| LT | light tone | +\$0 |
| LU | soft white | +\$0 |
| WN | warm grey neutral | +\$0 |
| 76 | light brown walnut | +\$150 |
| 91 | white | +\$150 |
| HM | natural maple | +\$150 |
| HX | aged cherry | +\$150 |
| OG | honey maple | +\$225 |

| Step 7. Pull Option/Finish | | |
|----------------------------|----------------|------|
| NN | none | +\$0 |
| BK | black | +\$0 |
| NH | brushed nickel | +\$0 |

ADA Base Cabinet with Door

CG802.
CG803.



Product Information

Description

This cabinet has a shelf and a door and adjustable glides. The shelf is height adjustable in 1/4" increments. Cabinet height without work surface adjusts from 32" to 33 1/2" high.

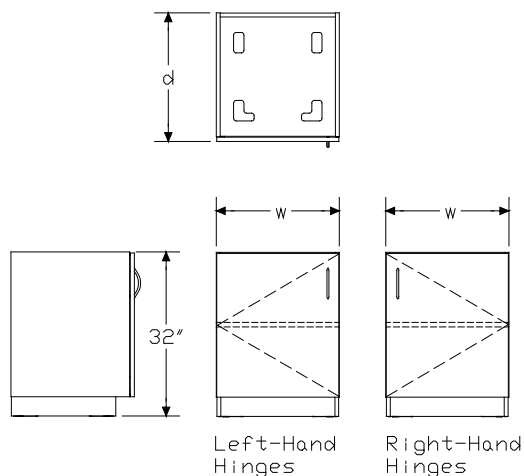
Notes

Order work surface (CG211. or CG212.) or corner work surface (CG218. or CG219.) separately.

Height conforms to guidelines of Americans with Disability Act (ADA).

For keyed-alike locks, order lock plugs separately. See Keyed-Alike Information in Appendices.

Dimensions



Specification Information

Step 1.

CG80

Step 2. Hinge Location

2. left-hand hinges
3. right-hand hinges

Step 3. Depth

- 18** 18" deep
24 24" deep

Step 4. Width

- 18** 18" wide
24 24" wide

Step 5. Lock

- N** no lock
L keyed differently
K keyed alike

Prices for Steps 1-5.

| | N | L | K |
|---------------------|--------|------|------|
| CG802. 18 18 | \$1023 | 1092 | 1092 |
| 24 | \$1148 | 1220 | 1220 |
| 24 18 | \$1109 | 1180 | 1180 |
| 24 | \$1248 | 1318 | 1318 |
| | N | L | K |
| CG803. 18 18 | \$1023 | 1092 | 1092 |
| 24 | \$1148 | 1220 | 1220 |
| 24 18 | \$1109 | 1180 | 1180 |
| 24 | \$1248 | 1318 | 1318 |

Step 6. Surface Finish

| | | |
|-----------|--------------------|--------|
| HF | inner tone light | +\$0 |
| LT | light tone | +\$0 |
| LU | soft white | +\$0 |
| WN | warm grey neutral | +\$0 |
| 76 | light brown walnut | +\$80 |
| 91 | white | +\$80 |
| HM | natural maple | +\$80 |
| HX | aged cherry | +\$80 |
| OG | honey maple | +\$120 |

ADA Base Cabinet with Door

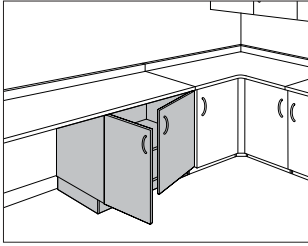
continued

Casework Base Cabinets

| Step 7. Pull Option/Finish | | |
|----------------------------|----------------|------|
| NN | none | +\$0 |
| BK | black | +\$0 |
| NH | brushed nickel | +\$0 |

ADA Base Cabinet with Double Doors

CG804.



Product Information

Description

This 30"-wide cabinet has a shelf and 2 doors and adjustable glides. The shelf is height adjustable in 1/4" increments. Cabinet height without work surface adjusts from 32" to 33 1/2" high.

Notes

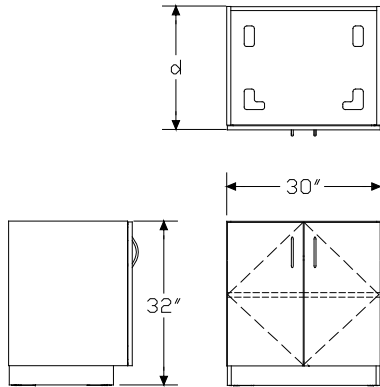
Order work surface (CG211. or CG212.) or corner work surface (CG218. or CG219.) separately.

Height conforms to guidelines of Americans with Disability Act (ADA).

Double doors with lock option are controlled by 1 lock.

For keyed-alike locks, order lock plugs separately. See Keyed-Alike Information in Appendices.

Dimensions



Specification Information

Step 1.

CG804.

Step 2. Depth

1830 18" deep

2430 24" deep

Step 3. Lock

N no lock

L keyed differently

K keyed alike

Prices for Steps 1-3.

| | N | L | K |
|--------------------|--------|------|------|
| CG804. 1830 | \$1203 | 1267 | 1267 |
| 2430 | \$1308 | 1372 | 1372 |

Step 4. Surface Finish

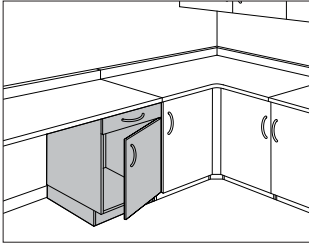
| | | |
|-----------|--------------------|--------|
| HF | inner tone light | +\$0 |
| LT | light tone | +\$0 |
| LU | soft white | +\$0 |
| WN | warm grey neutral | +\$0 |
| 76 | light brown walnut | +\$80 |
| 91 | white | +\$80 |
| HM | natural maple | +\$80 |
| HX | aged cherry | +\$80 |
| OG | honey maple | +\$120 |

Step 5. Pull Option/Finish

| | | |
|-----------|----------------|------|
| NN | none | +\$0 |
| BK | black | +\$0 |
| NH | brushed nickel | +\$0 |

ADA Base Cabinet with Drawer and Door

CG805.
CG806.



Casework Base Cabinets

Product Information

Description

This cabinet has a small drawer, a shelf, a door and adjustable glides. The shelf is height adjustable in 1/4" increments. Cabinet height without work surface adjusts from 32" to 33 1/2" high.

Notes

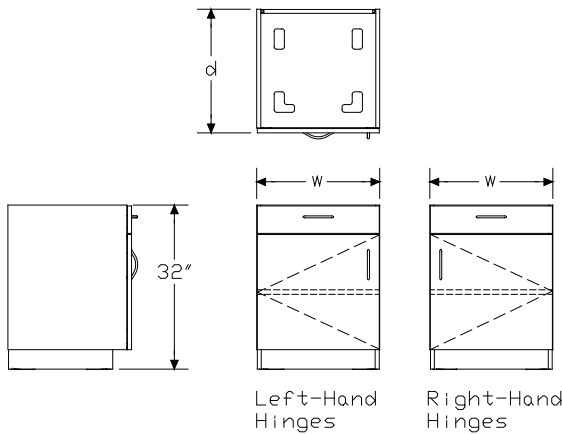
Order work surface (CG211. or CG212.) or corner work surface (CG218. or CG219.) separately.

Height conforms to guidelines of Americans with Disability Act (ADA).

Base cabinet with lock includes lock on drawer and door.

For keyed-alike locks, order lock plugs separately. See Keyed-Alike Information in Appendices.

Dimensions



Specification Information

Step 1.

CG80

Step 2. Hinge Location

- 5. left-hand hinges
- 6. right-hand hinges

Step 3. Depth

- 18 18" deep
- 24 24" deep

Step 4. Width

- 18 18" wide
- 24 24" wide

Step 5. Lock

- N no lock
- L keyed differently
- K keyed alike

Prices for Steps 1-5.

| | N | L | K |
|---------------------|--------|------|------|
| CG805. 18 18 | \$1201 | 1327 | 1327 |
| 24 | \$1316 | 1443 | 1443 |
| 24 18 | \$1273 | 1403 | 1403 |
| 24 | \$1410 | 1537 | 1537 |
| | N | L | K |
| CG806. 18 18 | \$1201 | 1327 | 1327 |
| 24 | \$1316 | 1443 | 1443 |
| 24 18 | \$1273 | 1403 | 1403 |
| 24 | \$1410 | 1537 | 1537 |

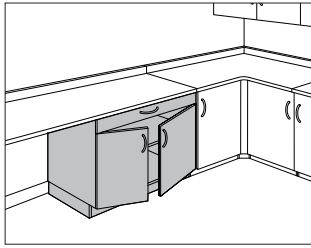
Step 6. Surface Finish

| | | |
|-----------|--------------------|--------|
| HF | inner tone light | +\$0 |
| LT | light tone | +\$0 |
| LU | soft white | +\$0 |
| WN | warm grey neutral | +\$0 |
| 76 | light brown walnut | +\$90 |
| 91 | white | +\$90 |
| HM | natural maple | +\$90 |
| HX | aged cherry | +\$90 |
| OG | honey maple | +\$135 |

ADA Base Cabinet with Drawer and Door *continued*

| Step 7. Pull Option/Finish | | |
|----------------------------|----------------|------|
| NN | none | +\$0 |
| BK | black | +\$0 |
| NH | brushed nickel | +\$0 |

ADA Base Cabinet with Drawer and Double Doors CG807.



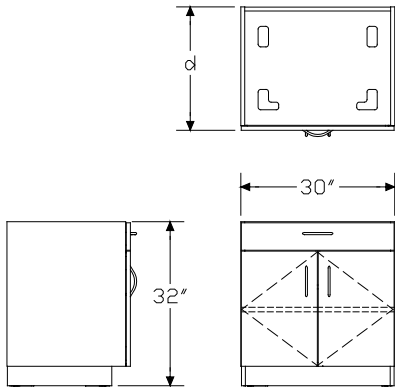
Casework Base Cabinets

Product Information

Description
 This 30"-wide cabinet has a small drawer, a shelf, 2 doors and adjustable glides. The shelf is height adjustable in 1/4" increments. Cabinet height without work surface adjusts from 32" to 33 1/2" high.

Notes
 Order work surface (CG211. or CG212.) or corner work surface (CG218. or CG219.) separately.
 Height conforms to guidelines of Americans with Disability Act (ADA).
 Base cabinet with lock includes lock on drawer and both doors.
 For keyed-alike locks, order lock plugs separately. See Keyed-Alike Information in Appendices.

Dimensions



Specification Information

Step 1.
CG807.

Step 2. Depth
1830 18" deep
2430 24" deep

Step 3. Lock
N no lock
L keyed differently
K keyed alike

Prices for Steps 1-3.

| | N | L | K |
|--------------------|--------|------|------|
| CG807. 1830 | \$1593 | 1720 | 1720 |
| 2430 | \$1705 | 1832 | 1832 |

Step 4. Surface Finish

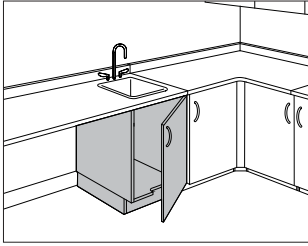
| | | |
|-----------|--------------------|--------|
| HF | inner tone light | +\$0 |
| LT | light tone | +\$0 |
| LU | soft white | +\$0 |
| WN | warm grey neutral | +\$0 |
| 76 | light brown walnut | +\$120 |
| 91 | white | +\$120 |
| HM | natural maple | +\$120 |
| HX | aged cherry | +\$120 |
| OG | honey maple | +\$180 |

Step 5. Pull Option/Finish

| | | |
|-----------|----------------|------|
| NN | none | +\$0 |
| BK | black | +\$0 |
| NH | brushed nickel | +\$0 |

ADA Sink Cabinet with Door

CG808.
CG809.



Product Information

Description

This 24"-wide cabinet has a base cabinet bottom with a foot pedal cutout, a door and adjustable glides. Cabinet height without work surface adjusts from 32" to 33½" high.

Notes

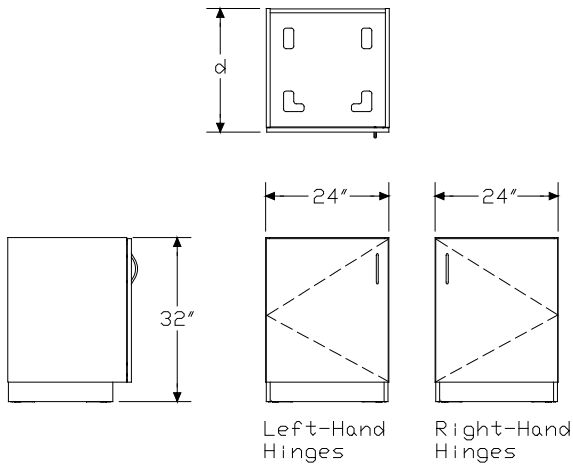
Order Corian® work surface (CG212. or CG219.) separately.

Sink must be customer supplied and field installed.

Height conforms to guidelines of Americans with Disability Act (ADA).

For keyed-alike locks, order lock plugs separately. See Keyed-Alike Information in Appendices.

Dimensions



Specification Information

Step 1.

CG80

Step 2. Hinge Location

- 8.** left-hand hinges
- 9.** right-hand hinges

Step 3. Depth

- 1824** 18" deep
- 2424** 24" deep

Step 4. Lock

- N** no lock
- L** keyed differently
- K** keyed alike

Prices for Steps 1-4.

| | N | L | K |
|--------------------|----------|----------|----------|
| CG808. 1824 | \$1084 | 1154 | 1154 |
| 2424 | \$1147 | 1220 | 1220 |
| CG809. 1824 | \$1084 | 1154 | 1154 |
| 2424 | \$1147 | 1220 | 1220 |

Step 5. Surface Finish

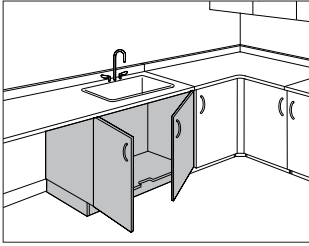
| | | |
|-----------|--------------------|--------|
| HF | inner tone light | +\$0 |
| LT | light tone | +\$0 |
| LU | soft white | +\$0 |
| WN | warm grey neutral | +\$0 |
| 76 | light brown walnut | +\$80 |
| 91 | white | +\$80 |
| HM | natural maple | +\$80 |
| HX | aged cherry | +\$80 |
| OG | honey maple | +\$120 |

Step 6. Pull Option/Finish

| | | |
|-----------|----------------|------|
| NN | none | +\$0 |
| BK | black | +\$0 |
| NH | brushed nickel | +\$0 |

ADA Sink Cabinet with Double Doors CG810.

Casework Base Cabinets



Product Information

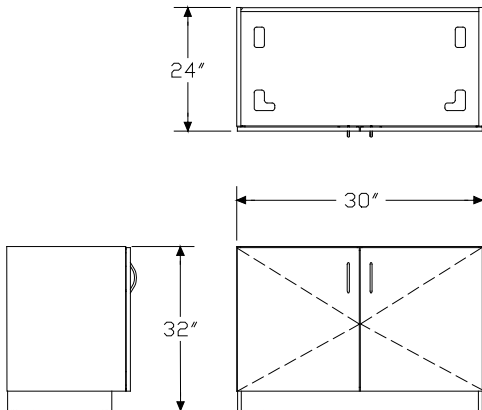
Description
 This 24"-deep, 30"-wide cabinet has a base cabinet bottom with a foot pedal cutout, 2 doors and adjustable glides. Cabinet height without work surface adjusts from 32" to 33½" high.

Notes

- Order Corian® work surface separately:
- Corner work surface (CG219.) for 30"-wide sink cabinet only
 - Work surface (CG212.)

Sink must be customer supplied and field installed.
 Height conforms to guidelines of Americans with Disability Act (ADA).
 For keyed-alike locks, order lock plugs separately. See Keyed-Alike Information in Appendices.

Dimensions



Specification Information

Step 1.

CG810.2430

Step 2. Lock

- N** no lock
- L** keyed differently
- K** keyed alike

Prices for Steps 1-2.

| | |
|---------------------|--------|
| CG810.2430 N | \$1275 |
| L | \$1348 |
| K | \$1348 |

Step 3. Surface Finish

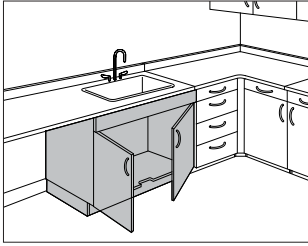
| | |
|------------------------------|--------|
| HF inner tone light | +\$0 |
| LT light tone | +\$0 |
| LU soft white | +\$0 |
| WN warm grey neutral | +\$0 |
| 76 light brown walnut | +\$90 |
| 91 white | +\$90 |
| HM natural maple | +\$90 |
| HX aged cherry | +\$90 |
| OG honey maple | +\$135 |

Step 4. Pull Option/Finish

| | |
|--------------------------|------|
| NN none | +\$0 |
| BK black | +\$0 |
| NH brushed nickel | +\$0 |

ADA Sink Cabinet with Double Doors and Drawer Front

CG813.



Product Information

Description

This 24"-deep cabinet has a base cabinet bottom with a foot pedal cutout, a small-size drawer front, 2 doors and adjustable glides. Cabinet height without work surface adjusts from 32" to 33½" high.

Notes

Order Corian® work surface separately:

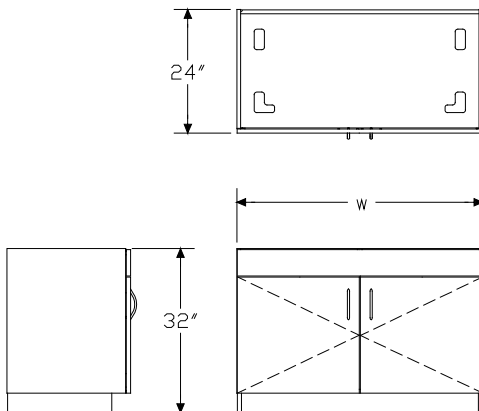
- Corner work surface (CG219.) for 30"-wide sink cabinet only
- Work surface (CG212.)

Sink must be customer supplied and field installed.

Height conforms to guidelines of Americans with Disability Act (ADA).

For keyed-alike locks, order lock plugs separately. See Keyed-Alike Information in Appendices.

Dimensions



Specification Information

Step 1.

CG813.24

Step 2. Width

| | |
|-----------|----------|
| 30 | 30" wide |
| 48 | 48" wide |

Step 3. Lock

| | |
|----------|-------------------|
| N | no lock |
| L | keyed differently |
| K | keyed alike |

Prices for Steps 1-3.

| | | N | L | K |
|-----------------|-----------|----------|----------|----------|
| CG813.24 | 30 | \$1381 | 1454 | 1454 |
| | 48 | \$1698 | 1771 | 1771 |

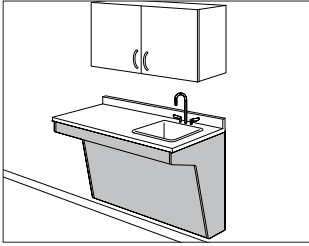
Step 4. Surface Finish

| | | |
|-----------|--------------------|--------|
| HF | inner tone light | +\$0 |
| LT | light tone | +\$0 |
| LU | soft white | +\$0 |
| WN | warm grey neutral | +\$0 |
| 76 | light brown walnut | +\$100 |
| 91 | white | +\$100 |
| HM | natural maple | +\$100 |
| HX | aged cherry | +\$100 |
| OG | honey maple | +\$150 |

Step 5. Pull Option/Finish

| | | |
|-----------|----------------|------|
| NN | none | +\$0 |
| BK | black | +\$0 |
| NH | brushed nickel | +\$0 |

ADA Sink Support, Wall Mounted CG508.



Casework Base Cabinets

Product Information

Description

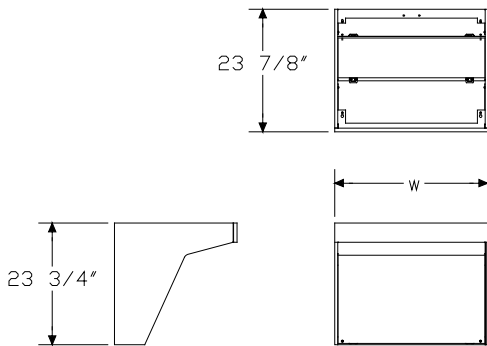
This 24"-deep sink support hangs from an architectural wall. It supports a 5½"-deep sink and a work surface. The sink support has a 4"-high laminate front trim and a removable front panel to allow access to plumbing. Shipped knocked down.

Notes

Order Corian® work surface (CG212.) separately.

Sink must be customer supplied and field installed. A Just SL-ADA-1921-A-GR-3 sink, with drain located in rear center, fits in a 24" x 24" sink support.

Dimensions



Specification Information

Step 1.

CG508.24

Step 2. Width

| | |
|-----------|----------|
| 24 | 24" wide |
| 30 | 30" wide |
| 48 | 48" wide |
| 60 | 60" wide |

Prices for Steps 1-2.

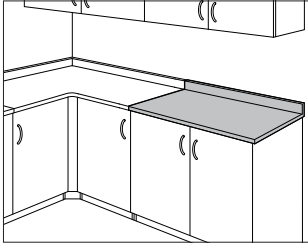
| | | |
|-----------------|-----------|--------|
| CG508.24 | 24 | \$1350 |
| | 30 | \$1445 |
| | 48 | \$1734 |
| | 60 | \$1929 |

Step 3. Surface Finish

| | | |
|-----------|--------------------|--------|
| HF | inner tone light | +\$0 |
| LT | light tone | +\$0 |
| LU | soft white | +\$0 |
| WN | warm grey neutral | +\$0 |
| 76 | light brown walnut | +\$100 |
| 91 | white | +\$100 |
| HM | natural maple | +\$100 |
| HX | aged cherry | +\$100 |
| OG | honey maple | +\$150 |

Work Surface

CG211.



Product Information

Description

This work surface attaches to the top of 1 or more base cabinets or hangs from an architectural wall and abuts the side of a base cabinet. It has a laminate or Chemsurf® top and includes a backsplash.

Notes

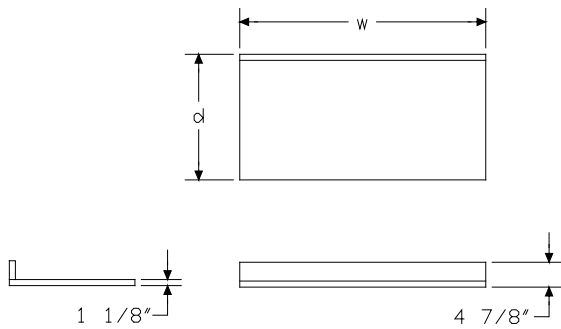
Order base cabinet (CG502., CG602., CG604., CG608., CG609., CG614., CG625., CG626., or CG627.) separately.

Order ADA base cabinet (CG800., CG801., CG802., CG803., CG804., CG805., CG806., CG807., or CG814.) separately.

For work surface attached to wall, order work surface support (CG509.) separately.

For work surface exposed to moisture, use Corian® work surface (CG212.).

Dimensions



Specification Information

Step 1.

CG211.

Step 2. Depth

| | |
|-----------|----------|
| 18 | 18" deep |
| 24 | 24" deep |
| 30 | 30" deep |

Step 3. Width

| | |
|-----------|----------|
| 24 | 24" wide |
| 30 | 30" wide |
| 36 | 36" wide |
| 42 | 42" wide |
| 48 | 48" wide |
| 60 | 60" wide |
| 72 | 72" wide |
| 96 | 96" wide |

Step 4. Surface Material

| | |
|----------|-----------|
| L | laminate |
| C | Chemsurf® |

Prices for Steps 1-4.

| | | L | C |
|------------------|-----------|----------|----------|
| CG211. 18 | 24 | \$242 | 296 |
| | 30 | \$291 | 361 |
| | 36 | \$361 | 446 |
| | 42 | \$403 | 501 |
| | 48 | \$462 | 576 |
| | 60 | \$588 | 731 |
| | 72 | \$700 | 871 |
| | 96 | \$931 | 1161 |
| 24 | 24 | \$302 | 352 |
| | 30 | \$364 | 433 |
| | 36 | \$450 | 534 |
| | 42 | \$503 | 602 |
| | 48 | \$576 | 687 |
| | 60 | \$734 | 875 |
| | 72 | \$875 | 1046 |
| | 96 | \$1163 | 1393 |

| | | |
|--------------|--------|------|
| 30 24 | \$364 | 416 |
| 30 | \$455 | 525 |
| 36 | \$542 | 624 |
| 42 | \$634 | 733 |
| 48 | \$734 | 845 |
| 60 | \$900 | 1043 |
| 72 | \$1048 | 1221 |
| 96 | \$1367 | 1593 |

Step 5. Surface Finish

For laminate (L)

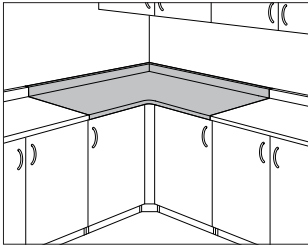
| | | |
|-----------|-------------------|-------|
| HF | inner tone light | +\$0 |
| LT | light tone | +\$0 |
| LU | soft white | +\$0 |
| WN | warm grey neutral | +\$0 |
| 91 | white | +\$85 |

For Chemsurf® (C)

| | | |
|-----------|-----------------------------|------|
| JD | warm grey neutral Chemsurf® | +\$0 |
| KH | light tone Chemsurf® | +\$0 |
| KR | inner tone light Chemsurf® | +\$0 |
| LE | soft white Chemsurf® | +\$0 |

Corner Work Surface

CG218.



Product Information

Description

This corner work surface attaches to the top of 1 or more base cabinets or hangs from an architectural wall. It has a laminate or Chemsurf® top and includes a backsplash.

Notes

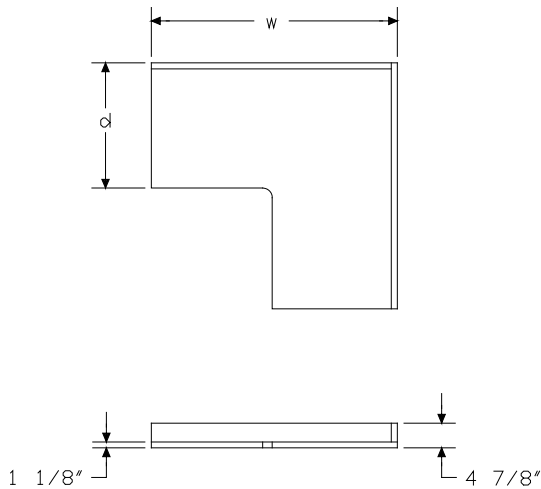
Order base cabinet (CG502., CG602., CG604., CG608., CG609., CG614., CG625., CG626., or CG627.) separately.

Order ADA base cabinet (CG800., CG801., CG802., CG803., CG804., CG805., CG806., CG807., or CG814.) separately.

For work surface attached to wall, order work surface support (CG509.) separately.

For corner work surface exposed to moisture, use Corian® work surface (CG219.).

Dimensions



Specification Information

Step 1.

CG218.

Step 2. Depth/Width

1848 18" deep x 48" wide

2448 24" deep x 48" wide

3060 30" deep x 60" wide

Step 3. Surface Material

L laminate

C Chemsurf®

Prices for Steps 1-3.

| | L | C |
|--------------------|--------|------|
| CG218. 1848 | \$821 | 903 |
| 2448 | \$1066 | 1172 |
| 3060 | \$1475 | 1623 |

Step 4. Surface Finish

For laminate (L)

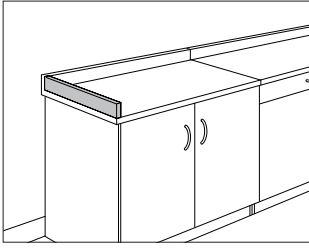
| | | |
|-----------|-------------------|-------|
| HF | inner tone light | +\$0 |
| LT | light tone | +\$0 |
| LU | soft white | +\$0 |
| WN | warm grey neutral | +\$0 |
| 91 | white | +\$85 |

For Chemsurf® (C)

| | | |
|-----------|-----------------------------|------|
| JD | warm grey neutral Chemsurf® | +\$0 |
| KH | light tone Chemsurf® | +\$0 |
| KR | inner tone light Chemsurf® | +\$0 |
| LE | soft white Chemsurf® | +\$0 |

Sidesplash

CG296.



Casework Work Surfaces

Product Information

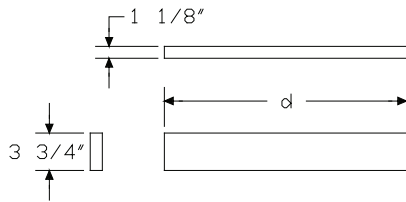
Description

This laminate or Chemsurf® product completes a work surface backsplash at the end of a run of base cabinets.

Notes

Order work surface (CG211.) or corner work surface (CG218.) separately.
Height of sidesplash with work surface is $4\frac{7}{8}$ " from bottom of work surface.

Dimensions



Specification Information

Step 1.

CG296.

Step 2. Depth

| | |
|-----------|----------|
| 18 | 18" deep |
| 24 | 24" deep |
| 30 | 30" deep |

Step 3. Surface Material

| | |
|----------|-----------|
| L | laminate |
| C | Chemsurf® |

Prices for Steps 1-3.

| | L | C |
|------------------|----------|----------|
| CG296. 18 | \$101 | 121 |
| 24 | \$161 | 189 |
| 30 | \$195 | 212 |

Step 4. Surface Finish

For laminate (L)

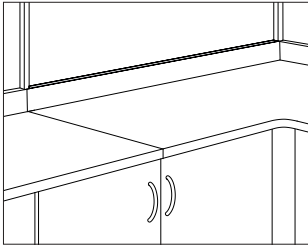
| | | |
|-----------|-------------------|-------|
| HF | inner tone light | +\$0 |
| LT | light tone | +\$0 |
| LU | soft white | +\$0 |
| WN | warm grey neutral | +\$0 |
| 91 | white | +\$15 |

For Chemsurf® (C)

| | | |
|-----------|-----------------------------|------|
| JD | warm grey neutral Chemsurf® | +\$0 |
| KH | light tone Chemsurf® | +\$0 |
| KR | inner tone light Chemsurf® | +\$0 |
| LE | soft white Chemsurf® | +\$0 |

Backsplash Filler

C2920.



Product Information

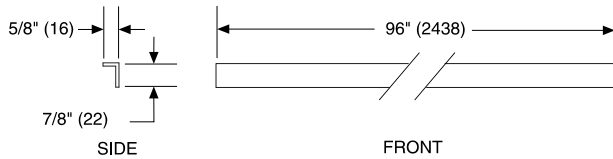
Description

This component attaches to a Casework work surface. It fills the gap created when Casework base cabinets are placed against terminal panels or wall strips. Package contains 6. Attachment hardware is included.

Notes

Order work surface (CG211. or CG212.) or corner work surface (CG218. or CG219.) separately.

Dimensions



Specification Information

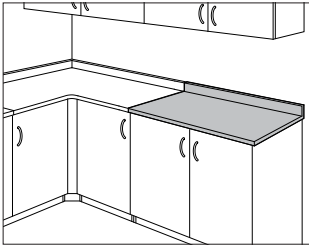
Step 1.

C2920.96 \$156

Step 2. Surface Finish

| | | |
|-----------|-------------------|------|
| HF | inner tone light | +\$0 |
| LT | light tone | +\$0 |
| LU | soft white | +\$0 |
| WN | warm grey neutral | +\$0 |

Casework Work Surfaces



Product Information

Description

This Corian work surface attaches to the top of 1 or more base cabinets or hangs from an architectural wall and abuts the side of a base cabinet. It includes a backsplash.

Notes

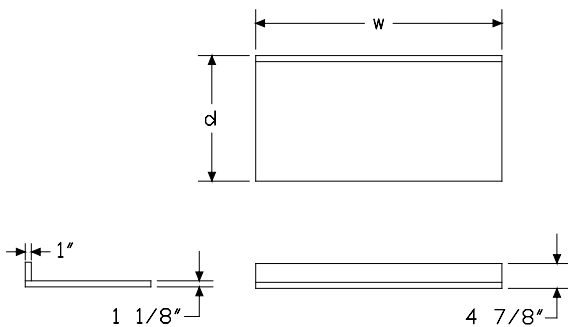
Work surface has a matte gloss level.

Order cabinet separately:

- Base cabinet (CG502., CG602., CG604., CG608., CG609., CG614., CG625., CG626., or CG627.)
- ADA base cabinet or sink cabinet (CG800., CG801., CG802., CG803., CG804., CG805., CG806., CG807., CG808., CG809., CG810., CG813., or CG814.)
- Sink cabinet (CG635., CG636., CG637., CG642., CG643., or CG644.)
- Wall-mounted ADA sink support (CG508.)

For work surface attached to wall, order work surface support (CG509.) separately.

Dimensions



Specification Information

Step 1.

CG212.

Step 2. Depth

- 18** 18" deep
- 24** 24" deep
- 30** 30" deep

Step 3. Width

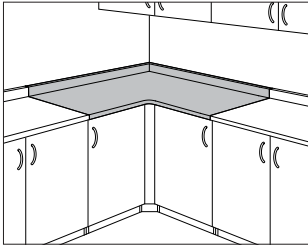
- 24** 24" wide
- 30** 30" wide
- 36** 36" wide
- 42** 42" wide
- 48** 48" wide
- 60** 60" wide
- 72** 72" wide
- 96** 96" wide

Prices for Steps 1-3.

| | 24 | 30 | 36 | 42 | 48 | 60 |
|------------------|--------|------|------|------|-----------|-----------|
| CG212. 18 | \$1490 | 1734 | 1980 | 2228 | 2473 | 2964 |
| 24 | \$1695 | 1970 | 2243 | 2520 | 2793 | 3344 |
| 30 | \$1899 | 2204 | 2508 | 2810 | 3114 | 3723 |
| | | | | | 72 | 96 |
| CG212. 18 | | | | | \$3455 | 4442 |
| 24 | | | | | \$3893 | 4993 |
| 30 | | | | | \$4328 | 5543 |

Step 4. Surface Finish

| | | |
|------------|---|--------|
| 1N | canyon | +\$200 |
| CQ | glacier white | +\$0 |
| QB | bisque | +\$0 |
| 1E | flint | +\$320 |
| 1S | savannah | +\$200 |
| 1U | sahara | +\$200 |
| 3I | mojave | +\$200 |
| 4I | sandstone | +\$200 |
| 58 | cameo white | +\$0 |
| IQ | aurora | +\$200 |
| OQ | silt | +\$200 |
| Q1 | vanilla | +\$0 |
| 7I | raffia | +\$320 |
| BLP | blue pebble A | +\$540 |



Product Information

Description

This Corian corner work surface with a backsplash attaches to the top of 1 or more base cabinets or hangs from an architectural wall and abuts the side of a base cabinet.

Notes

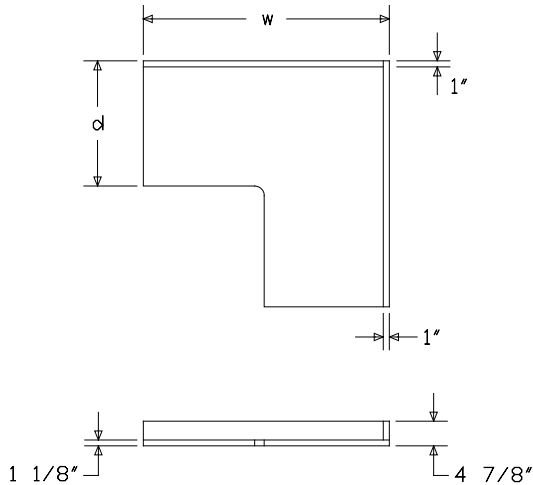
Order base cabinet (CG502., CG602., CG604., CG608., CG609., CG614., CG625., CG626., or CG627.) separately.

Order ADA base cabinet (CG800., CG801., CG802., CG803., CG804., CG805., CG806., CG807., CG808., CG809., CG810., CG813., or CG814.) separately.

For work surface attached to wall, order work surface support (CG509.) separately.

Surface has a matte gloss level.

Dimensions



Specification Information

Step 1.

CG219.

Step 2. Depth/Width

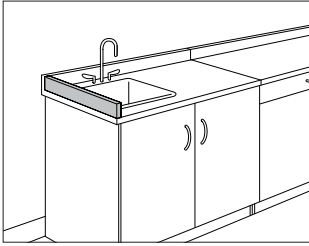
- 1848** 18" deep x 48" wide
- 2448** 24" deep x 48" wide
- 3060** 30" deep x 60" wide

Prices for Steps 1-2.

| | |
|--------------------|--------|
| CG219. 1848 | \$3138 |
| 2448 | \$3452 |
| 3060 | \$4679 |

Step 3. Surface Finish

| | | |
|------------|---|--------|
| 1N | canyon | +\$300 |
| CQ | glacier white | +\$0 |
| QB | bisque | +\$0 |
| 1E | flint | +\$540 |
| 1S | savannah | +\$300 |
| 1U | sahara | +\$300 |
| 3I | mojave | +\$300 |
| 4I | sandstone | +\$300 |
| 58 | cameo white | +\$0 |
| IQ | aurora | +\$300 |
| OQ | silt | +\$300 |
| Q1 | vanilla | +\$0 |
| 7I | raffia | +\$540 |
| BLP | blue pebble A | +\$540 |



Casework Work Surfaces

Product Information

Description

This Corian product completes a work surface backsplash at the end of a run of base cabinets.

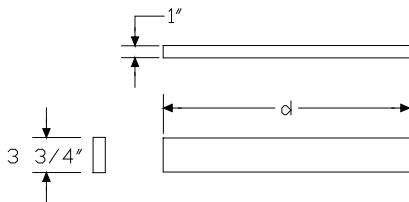
Notes

Sidesplash has a matte gloss level.

Order Corian work surface (CG212.) or Corian corner work surface (CG219.) separately.

Height of sidesplash with work surface is 4⁷/₈" from bottom of work surface.

Dimensions



Specification Information

Step 1.

CG297.

Step 2. Depth

| | |
|-----------|----------|
| 18 | 18" deep |
| 24 | 24" deep |
| 30 | 30" deep |

Prices for Steps 1-2.

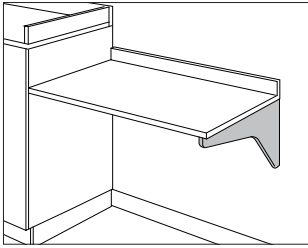
| | |
|------------------|-------|
| CG297. 18 | \$570 |
| 24 | \$686 |
| 30 | \$823 |

Step 3. Surface Finish

| | | |
|------------|---------------|-------|
| 1N | canyon | +\$50 |
| CQ | glacier white | +\$0 |
| QB | bisque | +\$0 |
| 1E | flint | +\$70 |
| 1S | savannah | +\$50 |
| 1U | sahara | +\$50 |
| 3I | mojave | +\$50 |
| 4I | sandstone | +\$50 |
| 58 | cameo white | +\$0 |
| IQ | aurora | +\$50 |
| OQ | silt | +\$50 |
| Q1 | vanilla | +\$0 |
| 7I | raffia | +\$70 |
| BLP | blue pebble | +\$70 |

Work Surface Support

CG509.



Product Information

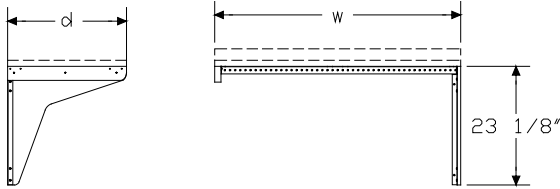
Description

This support bracket holds a work surface or corner work surface that hangs from an architectural wall and abuts the side of a base cabinet.

Notes

Order work surface (CG211. or CG212.) or corner work surface (CG218. or CG219.) separately.

Dimensions



Specification Information

Step 1.

CG509.

Step 2. Depth

- 18** 18" deep
- 24** 24" deep

Step 3. Width

- 24** 24" wide
- 30** 30" wide
- 36** 36" wide
- 48** 48" wide

Prices for Steps 1-3.

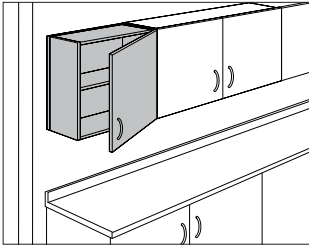
| | 24 | 30 | 36 | 48 |
|------------------|-----------|-----------|-----------|-----------|
| CG509. 18 | \$231 | 238 | 246 | 268 |
| 24 | \$242 | 248 | 258 | 280 |

Step 4. Surface Finish

| | | | | |
|-----------|-------------------|--|--|-------|
| HF | inner tone light | | | +\$0 |
| LT | light tone | | | +\$0 |
| LU | soft white | | | +\$0 |
| WN | warm grey neutral | | | +\$0 |
| 91 | white | | | +\$40 |

Overhead Cabinet with Door

CG301.
CG302.
CG331.
CG332.



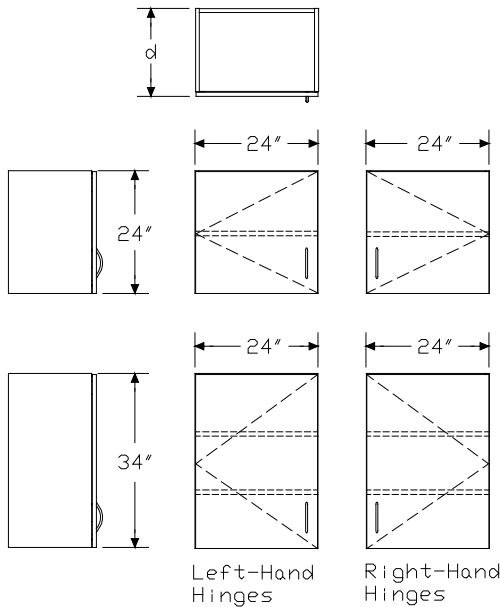
Casework Overhead Cabinets

Product Information

Description
This 24"-wide cabinet attaches to an architectural wall. It has 1 or 2 shelves and a door. Shelves are height adjustable in 1¹/₄" increments.

Notes
Order optional products separately:
• Add-on shelf (CG387.)
• Sloped cabinet top (CG396.)
For keyed-alike locks, order lock plugs separately. See Keyed-Alike Information in Appendices.

Dimensions



Specification Information

Step 1.

CG3

Step 2. Configuration/Height

- 0** 1 shelf and 24" high
- 3** 2 shelves and 34" high

Step 3. Hinge Location

- 1.** left-hand hinges
- 2.** right-hand hinges

Step 4. Depth

- 0924** 10¹/₂" deep
- 1624** 17" deep

Step 5. Lock

- N** no lock
- L** keyed differently
- K** keyed alike

Prices for Steps 1-5.

| | N | L | K |
|--------------------|--------|------|------|
| CG301. 0924 | \$710 | 773 | 773 |
| 1624 | \$999 | 1062 | 1062 |
| CG302. 0924 | \$710 | 773 | 773 |
| 1624 | \$999 | 1062 | 1062 |
| CG331. 0924 | \$1095 | 1151 | 1151 |
| 1624 | \$1320 | 1379 | 1379 |
| CG332. 0924 | \$1095 | 1151 | 1151 |
| 1624 | \$1320 | 1379 | 1379 |

Step 6. Surface Finish

- HF** inner tone light +\$0
- LT** light tone +\$0
- LU** soft white +\$0
- WN** warm grey neutral +\$0
- 76** light brown walnut +\$90
- 91** white +\$90
- HM** natural maple +\$90
- HX** aged cherry +\$90
- OG** honey maple +\$130

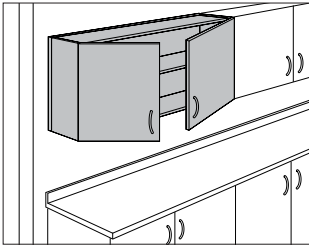
Overhead Cabinet with Door

continued

| Step 7. Pull Option/Finish | | |
|----------------------------|----------------|------|
| NN | none | +\$0 |
| BK | black | +\$0 |
| NH | brushed nickel | +\$0 |

Overhead Cabinet with Double Doors

CG315.
CG325.



Casework Overhead Cabinets

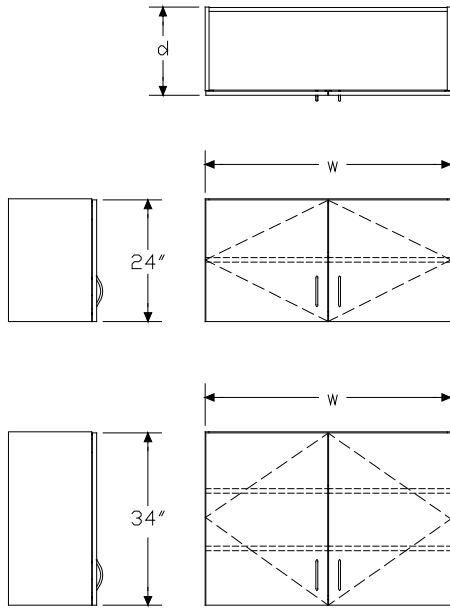
Product Information

Description
This cabinet attaches to an architectural wall. It has 1 or 2 shelves and 2 doors. The shelves are height adjustable in 1/4" increments.

Notes

Order optional products separately:
 • Add-on shelf (CG387.)
 • Sloped cabinet top (CG396.)
 For keyed-alike locks, order lock plugs separately. See Keyed-Alike Information in Appendices.

Dimensions



Specification Information

Step 1.

CG3

Step 2. Configuration/Height

- 15. 1 shelf and 24" high
- 25. 2 shelves and 34" high

Step 3. Depth

- 09 10 1/2" deep
- 16 17" deep

Step 4. Width

- 24 24" wide
- 30 30" wide
- 36 36" wide
- 48 48" wide

Step 5. Lock

- N no lock
- L keyed differently
- K keyed alike

Prices for Steps 1-5.

| | N | L | K |
|---------------------|--------|------|------|
| CG315. 09 24 | \$955 | 1016 | 1016 |
| 30 | \$973 | 1036 | 1036 |
| 36 | \$1045 | 1107 | 1107 |
| 48 | \$1167 | 1228 | 1228 |
| 16 24 | \$1209 | 1271 | 1271 |
| 30 | \$1252 | 1314 | 1314 |
| 36 | \$1346 | 1407 | 1407 |
| 48 | \$1465 | 1528 | 1528 |
| | N | L | K |
| CG325. 09 24 | \$1057 | 1120 | 1120 |
| 30 | \$1092 | 1154 | 1154 |
| 36 | \$1154 | 1218 | 1218 |
| 48 | \$1287 | 1348 | 1348 |
| 16 24 | \$1258 | 1321 | 1321 |
| 30 | \$1294 | 1358 | 1358 |
| 36 | \$1380 | 1441 | 1441 |
| 48 | \$1543 | 1605 | 1605 |

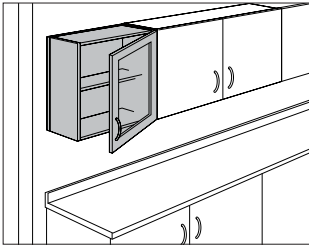
Overhead Cabinet with Double Doors *continued*

| Step 6. Surface Finish | | |
|------------------------|--------------------|--------|
| HF | inner tone light | +\$0 |
| LT | light tone | +\$0 |
| LU | soft white | +\$0 |
| WN | warm grey neutral | +\$0 |
| 76 | light brown walnut | +\$110 |
| 91 | white | +\$110 |
| HM | natural maple | +\$110 |
| HX | aged cherry | +\$110 |
| OG | honey maple | +\$150 |

| Step 7. Pull Option/Finish | | |
|----------------------------|----------------|------|
| NN | none | +\$0 |
| BK | black | +\$0 |
| NH | brushed nickel | +\$0 |

Overhead Cabinet with Glass Door

CG304.
CG305.
CG334.
CG335.



Casework Overhead Cabinets

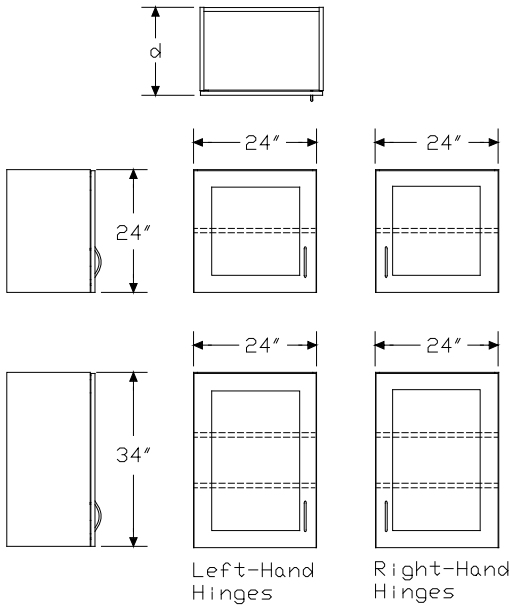
Product Information

Description
This 24"-wide cabinet attaches to an architectural wall. It has 1 or 2 shelves and a door with a glass insert. Shelves are height adjustable in 1 1/4" increments.

Notes

Order optional products separately:
 • Add-on shelf (CG387.)
 • Sloped cabinet top (CG396.)
 For keyed-alike locks, order lock plugs separately. See Keyed-Alike Information in Appendices.

Dimensions



Specification Information

Step 1.

CG3

Step 2. Configuration/Height

0 1 shelf and 24" high
3 2 shelves and 34" high

Step 3. Hinge Location

4. left-hand hinges
5. right-hand hinges

Step 4. Depth

0924 10 1/2" deep
1624 17" deep

Step 5. Lock

N no lock
L keyed differently
K keyed alike

Prices for Steps 1-5.

| | N | L | K |
|--------------------|--------|------|------|
| CG304. 0924 | \$1005 | 1079 | 1079 |
| 1624 | \$1095 | 1163 | 1163 |
| CG305. 0924 | \$1005 | 1079 | 1079 |
| 1624 | \$1095 | 1163 | 1163 |
| CG334. 0924 | \$1441 | 1509 | 1509 |
| 1624 | \$1713 | 1785 | 1785 |
| CG335. 0924 | \$1441 | 1509 | 1509 |
| 1624 | \$1713 | 1785 | 1785 |

Step 6. Surface Finish

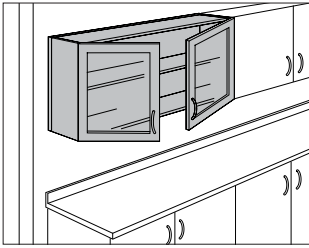
HF inner tone light +\$0
LT light tone +\$0
LU soft white +\$0
WN warm grey neutral +\$0
76 light brown walnut +\$120
91 white +\$120
HM natural maple +\$120
HX aged cherry +\$120
OG honey maple +\$170

Overhead Cabinet with Glass Door *continued*

| Step 7. Pull Option/Finish | | |
|----------------------------|---|------|
| NN | none <input type="checkbox"/> | +\$0 |
| BK | black <input type="checkbox"/> | +\$0 |
| NH | brushed nickel <input type="checkbox"/> | +\$0 |

Overhead Cabinet with Double Glass Doors

CG318.
CG328.



Casework Overhead Cabinets

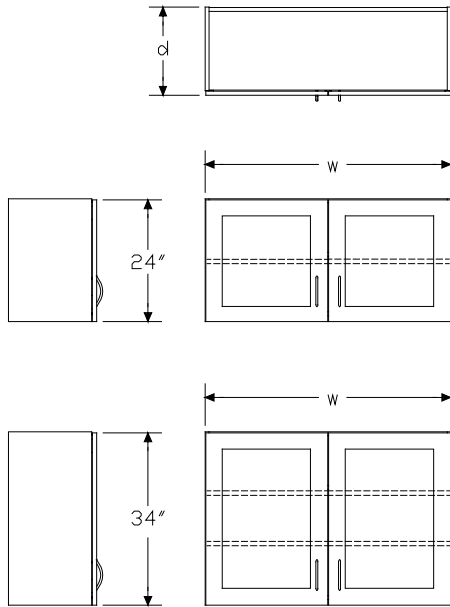
Product Information

Description
This cabinet attaches to an architectural wall. It has 1 or 2 shelves and 2 doors with glass inserts. The shelves are height adjustable in 1/4" increments.

Notes

Order optional products separately:
 • Add-on shelf (CG387.)
 • Sloped cabinet top (CG396.)
 For keyed-alike locks, order lock plugs separately. See Keyed-Alike Information in Appendices.

Dimensions



Specification Information

Step 1.

CG3

Step 2. Configuration/Height

18. 1 shelf and 24" high

28. 2 shelves and 34" high

Step 3. Depth

09 10 1/2" deep

16 17" deep

Step 4. Width

30 30" wide

36 36" wide

48 48" wide

Step 5. Lock

N no lock

L keyed differently

K keyed alike

Prices for Steps 1-5.

| | N | L | K |
|---------------------|--------|------|------|
| CG318. 09 30 | \$1443 | 1520 | 1520 |
| 36 | \$1525 | 1601 | 1601 |
| 48 | \$1663 | 1737 | 1737 |
| 16 30 | \$1545 | 1619 | 1619 |
| 36 | \$1627 | 1696 | 1696 |
| 48 | \$1793 | 1864 | 1864 |
| | N | L | K |
| CG328. 09 30 | \$1734 | 1800 | 1800 |
| 36 | \$1821 | 1883 | 1883 |
| 48 | \$1985 | 2049 | 2049 |
| 16 30 | \$1995 | 2060 | 2060 |
| 36 | \$2099 | 2163 | 2163 |
| 48 | \$2306 | 2372 | 2372 |

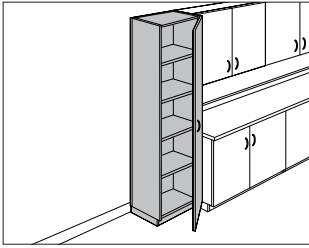
Overhead Cabinet with Double Glass Doors *continued*

| Step 6. Surface Finish | | |
|------------------------|---|--------|
| HF | inner tone light <input type="checkbox"/> | +\$0 |
| LT | light tone <input type="checkbox"/> | +\$0 |
| LU | soft white <input type="checkbox"/> | +\$0 |
| WN | warm grey neutral <input type="checkbox"/> | +\$0 |
| 76 | light brown walnut <input type="checkbox"/> | +\$170 |
| 91 | white <input type="checkbox"/> | +\$170 |
| HM | natural maple <input type="checkbox"/> | +\$170 |
| HX | aged cherry <input type="checkbox"/> | +\$170 |
| OG | honey maple <input type="checkbox"/> | +\$240 |

| Step 7. Pull Option/Finish | | |
|----------------------------|---|------|
| NN | none <input type="checkbox"/> | +\$0 |
| BK | black <input type="checkbox"/> | +\$0 |
| NH | brushed nickel <input type="checkbox"/> | +\$0 |

Storage Cabinet with Door

CG700.
CG701.



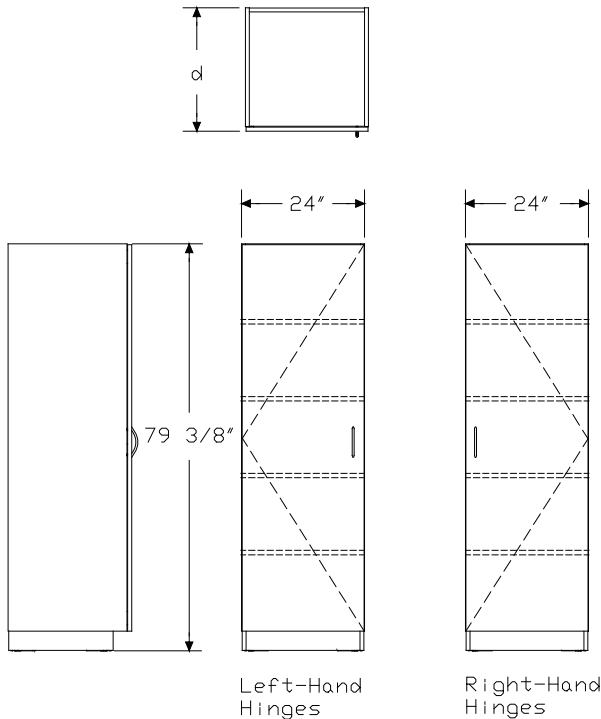
Casework Storage Cabinets

Product Information

Description
This 80"-high, 24"-wide cabinet with adjustable glides has 4 shelves and a 76"-high door. Shelves are height adjustable in 1 1/4" increments.

Notes
Order optional products separately:
 • Base cabinet shelf (CG516.)
 • Sloped cabinet top (CG396.)
 For keyed-alike locks, order lock plugs separately. See Keyed-Alike Information in Appendices.

Dimensions



Specification Information

Step 1.

CG70

Step 2. Hinge Location

- 0. left-hand hinges
- 1. right-hand hinges

Step 3. Depth

- 1824 18" deep
- 2424 24" deep

Step 4. Lock

- N no lock
- L keyed differently
- K keyed alike

Prices for Steps 1-4.

| | N | L | K |
|--------------------|--------|------|------|
| CG700. 1824 | \$2379 | 2441 | 2441 |
| 2424 | \$2695 | 2757 | 2757 |
| CG701. 1824 | \$2379 | 2441 | 2441 |
| 2424 | \$2695 | 2757 | 2757 |

Step 5. Surface Finish

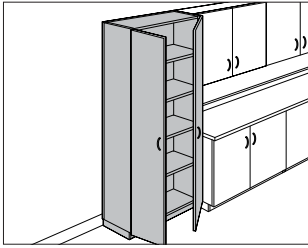
| | | |
|-----------|--------------------|--------|
| HF | inner tone light | +\$0 |
| LT | light tone | +\$0 |
| LU | soft white | +\$0 |
| WN | warm grey neutral | +\$0 |
| 76 | light brown walnut | +\$220 |
| 91 | white | +\$220 |
| HM | natural maple | +\$220 |
| HX | aged cherry | +\$220 |
| OG | honey maple | +\$305 |

Step 6. Pull Option/Finish

| | | |
|-----------|----------------|------|
| NN | none | +\$0 |
| BK | black | +\$0 |
| NH | brushed nickel | +\$0 |

Storage Cabinet with Double Doors

CG715.



Product Information

Description

This 80"-high cabinet with adjustable glides has 4 shelves and 2 76"-high doors. The shelves are height adjustable in 1 1/4" increments.

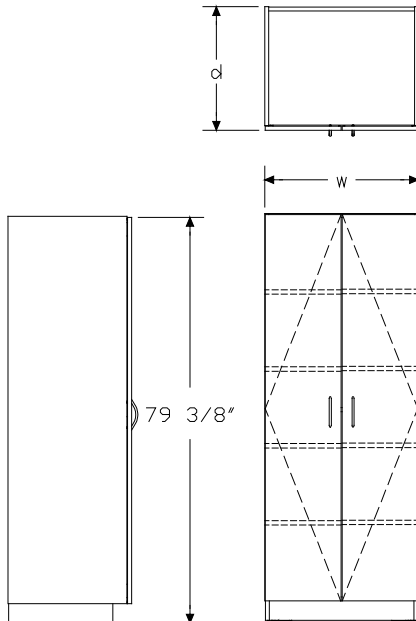
Notes

Order optional products separately:

- Base cabinet shelf (CG516.)
- Sloped cabinet top (CG396.)

For keyed-alike locks, order lock plugs separately. See Keyed-Alike Information in Appendices.

Dimensions



Specification Information

Step 1.

CG715.

Step 2. Depth

- 18** 18" deep
- 24** 24" deep

Step 3. Width

- 30** 30" wide
- 48** 48" wide

Step 4. Lock

- N** no lock
- L** keyed differently
- K** keyed alike

Prices for Steps 1-4.

| | N | L | K |
|---------------------|--------|------|------|
| CG715. 18 30 | \$2441 | 2504 | 2504 |
| 48 | \$3238 | 3299 | 3299 |
| 24 30 | \$2791 | 2852 | 2852 |
| 48 | \$3669 | 3732 | 3732 |

Step 5. Surface Finish

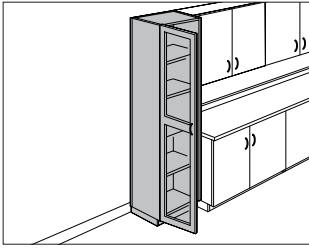
| | | |
|-----------|--------------------|--------|
| HF | inner tone light | +\$0 |
| LT | light tone | +\$0 |
| LU | soft white | +\$0 |
| WN | warm grey neutral | +\$0 |
| 76 | light brown walnut | +\$240 |
| 91 | white | +\$240 |
| HM | natural maple | +\$240 |
| HX | aged cherry | +\$240 |
| OG | honey maple | +\$340 |

Step 6. Pull Option/Finish

| | | |
|-----------|----------------|------|
| NN | none | +\$0 |
| BK | black | +\$0 |
| NH | brushed nickel | +\$0 |

Storage Cabinet with Glass Door

CG702.
CG703.



Product Information

Description

This 80"-high, 24"-wide cabinet with adjustable glides has 4 shelves and a 76"-high door with glass inserts. Shelves are height adjustable in 1 1/4" increments.

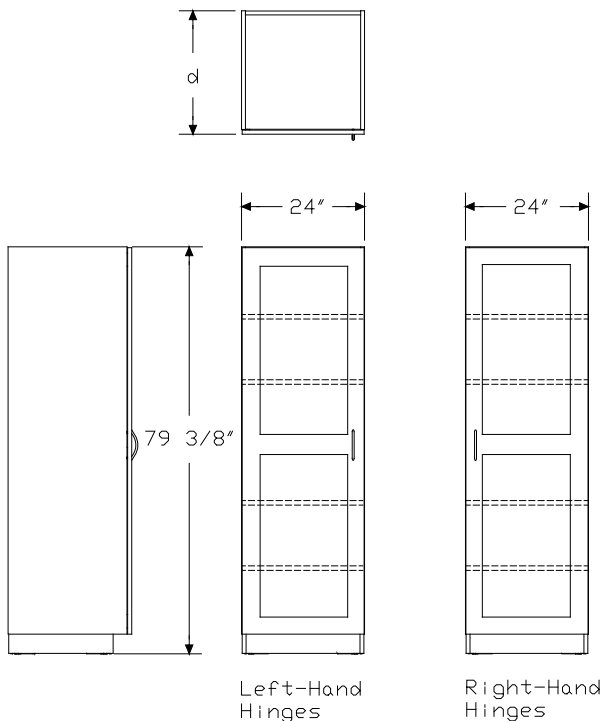
Notes

Order optional products separately:

- Base cabinet shelf (CG516.)
- Sloped cabinet top (CG396.)

For keyed-alike locks, order lock plugs separately. See Keyed-Alike Information in Appendices.

Dimensions



Casework Storage Cabinets

Specification Information

Step 1.

CG70

Step 2. Hinge Location

- left-hand hinges
- right-hand hinges

Step 3. Depth

- 1824** 18" deep
- 2424** 24" deep

Step 4. Lock

- N** no lock
- L** keyed differently
- K** keyed alike

Prices for Steps 1-4.

| | N | L | K |
|--------------------|--------|------|------|
| CG702. 1824 | \$2438 | 2502 | 2502 |
| 2424 | \$2728 | 2791 | 2791 |
| CG703. 1824 | \$2438 | 2502 | 2502 |
| 2424 | \$2728 | 2791 | 2791 |

Step 5. Surface Finish

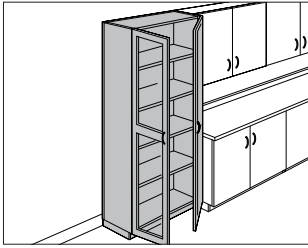
| | | |
|-----------|---|--------|
| HF | inner tone light <input type="checkbox"/> | +\$0 |
| LT | light tone <input type="checkbox"/> | +\$0 |
| LU | soft white <input type="checkbox"/> | +\$0 |
| WN | warm grey neutral <input type="checkbox"/> | +\$0 |
| 76 | light brown walnut <input type="checkbox"/> | +\$200 |
| 91 | white <input type="checkbox"/> | +\$200 |
| HM | natural maple <input type="checkbox"/> | +\$200 |
| HX | aged cherry <input type="checkbox"/> | +\$200 |
| OG | honey maple <input type="checkbox"/> | +\$290 |

Step 6. Pull Option/Finish

| | | |
|-----------|---|------|
| NN | none <input type="checkbox"/> | +\$0 |
| BK | black <input type="checkbox"/> | +\$0 |
| NH | brushed nickel <input type="checkbox"/> | +\$0 |

Storage Cabinet with Double Glass Doors

CG719.



Product Information

Description

This 80"-high cabinet with adjustable glides has 4 shelves and 2 76"-high doors with glass inserts. The shelves are height adjustable in 1 1/4" increments.

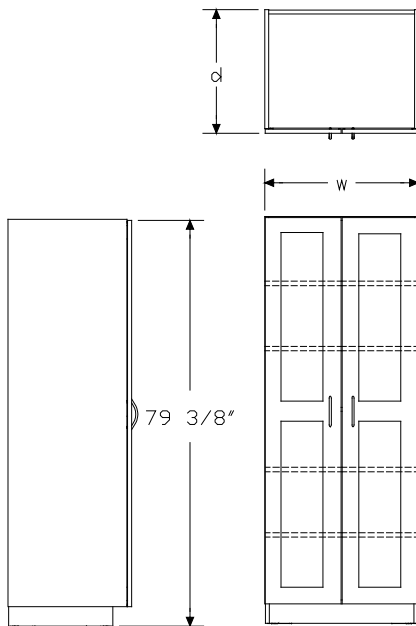
Notes

Order optional products separately:

- Base cabinet shelf (CG516.)
- Sloped cabinet top (CG396.)

For keyed-alike locks, order lock plugs separately. See Keyed-Alike Information in Appendices.

Dimensions



Specification Information

Step 1.

CG719. A

Step 2. Depth

18 18" deep A

24 24" deep A

Step 3. Width

30 30" wide A

48 48" wide A

Step 4. Lock

N no lock A

L keyed differently A

K keyed alike A

Prices for Steps 1-4.

| | N | L | K |
|---------------------|--------|------|------|
| CG719. 18 30 | \$3289 | 3350 | 3350 |
| 48 | \$4157 | 4219 | 4219 |
| 24 30 | \$3668 | 3731 | 3731 |
| 48 | \$4628 | 4689 | 4689 |

Step 5. Surface Finish

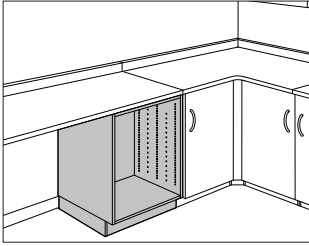
| | | |
|-----------|---|--------|
| HF | inner tone light <input type="checkbox"/> A | +\$0 |
| LT | light tone <input type="checkbox"/> A | +\$0 |
| LU | soft white <input type="checkbox"/> A | +\$0 |
| WN | warm grey neutral <input type="checkbox"/> A | +\$0 |
| 76 | light brown walnut <input type="checkbox"/> A | +\$300 |
| 91 | white <input type="checkbox"/> A | +\$300 |
| HM | natural maple <input type="checkbox"/> A | +\$300 |
| HX | aged cherry <input type="checkbox"/> A | +\$300 |
| OG | honey maple <input type="checkbox"/> A | +\$475 |

Step 6. Pull Option/Finish

| | | |
|-----------|---|------|
| NN | none <input type="checkbox"/> A | +\$0 |
| BK | black <input type="checkbox"/> A | +\$0 |
| NH | brushed nickel <input type="checkbox"/> A | +\$0 |

Base Cabinet

CG502.



Product Information

Description

This cabinet has adjustable glides and an open front and can be specified with doors, drawers, and shelves. Cabinet height without work surface adjusts from 34" to 35½" high.

Notes

Order work surface (CG211. or CG212.) or corner work surface (CG218. or CG219.) separately.

Order interior components separately:

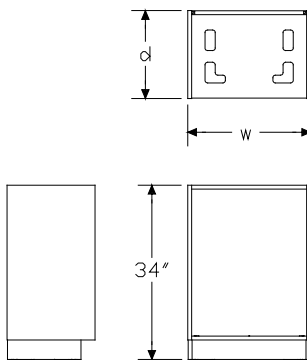
- Base cabinet bottle drawer (CG537.)
- Base cabinet drawer (CG532. or CG533.)
- Base cabinet pullout shelf (CG517.)
- Base cabinet shelf (CG516.)
- Interior cabinet adapter (CG591.)
- Waste container holder (CG903.)

To enclose 18"- to 24"-wide cabinet, order base cabinet door (CG538. or CG539.) separately.

To enclose 30"-wide cabinet, order base cabinet double doors (CG548.) separately.

Doors cannot be used in front of cabinet drawers.

Dimensions



Specification Information

Step 1.

CG502.

Step 2. Depth

| | |
|-----------|----------|
| 18 | 18" deep |
| 24 | 24" deep |
| 30 | 30" deep |

Step 3. Width

| | |
|-----------|----------|
| 18 | 18" wide |
| 24 | 24" wide |
| 30 | 30" wide |

Prices for Steps 1-3.

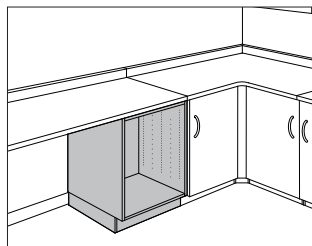
| | 18 | 24 | 30 |
|------------------|-----------|-----------|-----------|
| CG502. 18 | \$682 | 733 | 782 |
| 24 | \$765 | 821 | 880 |
| 30 | \$866 | 922 | 977 |

Step 4. Surface Finish

| | | |
|-----------|--------------------|-------|
| HF | inner tone light | +\$0 |
| LT | light tone | +\$0 |
| LU | soft white | +\$0 |
| WN | warm grey neutral | +\$0 |
| 76 | light brown walnut | +\$55 |
| 91 | white | +\$55 |
| HM | natural maple | +\$55 |
| HX | aged cherry | +\$55 |
| OG | honey maple | +\$80 |

ADA Base Cabinet

CG814.



Product Information

Description

This cabinet has adjustable glides and an open front and can be specified with drawers and shelves. Cabinet height without work surface adjusts from 32" to 33 1/2" high.

Notes

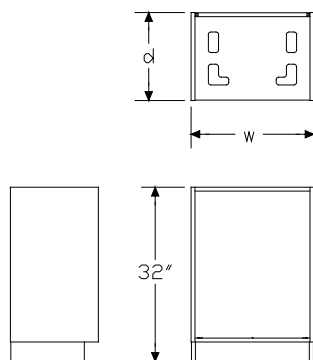
Order work surface (CG211. or CG212.) or corner work surface (CG218. or CG219.) separately.

Height conforms to guidelines of Americans with Disability Act (ADA).

Order interior components separately:

- Base cabinet bottle drawer (CG537.)
- Base cabinet drawer (CG532. or CG533.)
- Base cabinet pullout shelf (CG517.)
- Base cabinet shelf (CG516.)

Dimensions



Specification Information

Step 1.

CG814.

Step 2. Depth

- 18** 18" deep
- 24** 24" deep

Step 3. Width

- 18** 18" wide
- 24** 24" wide
- 30** 30" wide

Prices for Steps 1-3.

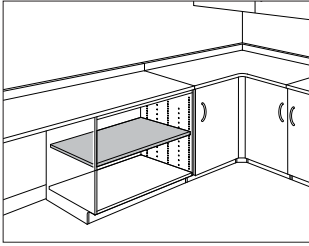
| | 18 | 24 | 30 |
|------------------|-----------|-----------|-----------|
| CG814. 18 | \$733 | 789 | 842 |
| 24 | \$823 | 884 | 948 |

Step 4. Surface Finish

| | | |
|-----------|--------------------|-------|
| HF | inner tone light | +\$0 |
| LT | light tone | +\$0 |
| LU | soft white | +\$0 |
| WN | warm grey neutral | +\$0 |
| 76 | light brown walnut | +\$50 |
| 91 | white | +\$50 |
| HM | natural maple | +\$50 |
| HX | aged cherry | +\$50 |
| OG | honey maple | +\$75 |

Base Cabinet Shelf

CG516.



Product Information

Description

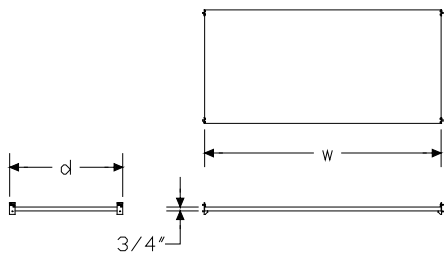
This shelf mounts inside a base cabinet or storage cabinet. It is height adjustable in 1/4" increments. Attachment hardware is included.

Notes

Order cabinet separately:

- ADA base cabinet (CG814.)
- Base cabinet (CG502.)
- Storage cabinet (CG716.)

Dimensions



Casework Base Cabinet Components

Specification Information

Step 1.

CG516.

Step 2. Depth

- 18** 18" deep
- 24** 24" deep
- 30** 30" deep

Step 3. Width

For 18" deep (18) or 30" deep (30)

- 18** 18" wide
- 24** 24" wide
- 30** 30" wide
- 48** 48" wide

For 24" deep (24)

- 18** 18" wide
- 24** 24" wide
- 30** 30" wide
- 36** 36" wide
- 48** 48" wide

Prices for Steps 1-3.

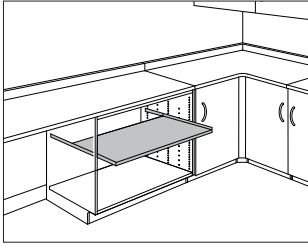
| | 18 | 24 | 30 | 36 | 48 |
|------------------|-----------|-----------|-----------|-----------|-----------|
| CG516. 18 | \$165 | 198 | 237 | — | 314 |
| 24 | \$215 | 257 | 296 | 381 | 411 |
| 30 | \$237 | 280 | 327 | — | 467 |

Step 4. Surface Finish

| | | |
|-----------|--------------------|-------|
| HF | inner tone light | +\$0 |
| LT | light tone | +\$0 |
| LU | soft white | +\$0 |
| WN | warm grey neutral | +\$0 |
| 76 | light brown walnut | +\$20 |
| 91 | white | +\$20 |
| HM | natural maple | +\$20 |
| HX | aged cherry | +\$20 |
| OG | honey maple | +\$30 |

Base Cabinet Pullout Shelf

CG517.



Product Information

Description

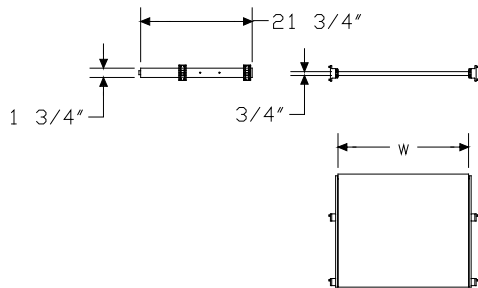
This pullout shelf mounts inside a 24"- or 30"-deep base cabinet or 24"-deep storage cabinet. It is height adjustable in 1 1/4" increments. The shelf cannot attach at a door hinge location. Attachment hardware is included.

Notes

Order cabinet separately:

- ADA base cabinet (CG814.24)
- Base cabinet (CG502.24 or CG502.30)
- Storage cabinet (CG716.24)

Dimensions



Specification Information

Step 1.

CG517.24

Step 2. Width

- 18** 18" wide
- 24** 24" wide
- 30** 30" wide
- 36** 36" wide

Prices for Steps 1-2.

| | |
|--------------------|-------|
| CG517.24 18 | \$381 |
| 24 | \$449 |
| 30 | \$509 |
| 36 | \$588 |

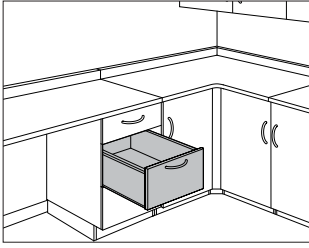
Step 3. Surface Finish

| | | |
|-----------|--------------------|-------|
| HF | inner tone light | +\$0 |
| LT | light tone | +\$0 |
| LU | soft white | +\$0 |
| WN | warm grey neutral | +\$0 |
| 76 | light brown walnut | +\$25 |
| 91 | white | +\$25 |
| HM | natural maple | +\$25 |
| HX | aged cherry | +\$25 |
| OG | honey maple | +\$40 |

Casework Base Cabinet Components

Base Cabinet Drawer

CG532.
CG533.



Product Information

Description

This drawer mounts inside a base cabinet or storage cabinet. It is available in 3 sizes. Attachment hardware is included.

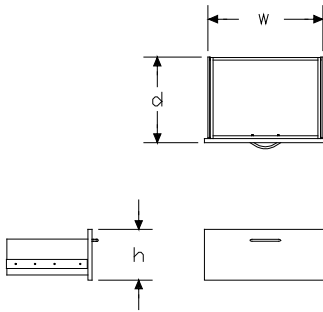
Notes

Order cabinet separately:

- ADA base cabinet (CG814.)
- Base cabinet (CG502.)
- Storage cabinet (CG716.)

For keyed-alike locks, order lock plugs separately. See Keyed-Alike Information in Appendices.

Dimensions



Specification Information

Step 1.

CG53

Step 2. Depth

2. 15³/₄" deep
3. 21³/₄" deep

Step 3. Height

- 04 small, 5" high
- 08 medium, 7¹/₂" high
- 12 large, 10" high

Step 4. Width

- 18 18" wide
- 24 24" wide
- 30 30" wide

Step 5. Lock

- N no lock
- L keyed differently
- K keyed alike

Prices for Steps 1-5.

| | N | L | K |
|---------------------|----------|----------|----------|
| CG532. 04 18 | \$292 | 377 | 377 |
| 24 | \$342 | 425 | 425 |
| 30 | \$390 | 472 | 472 |
| 08 18 | \$325 | 410 | 410 |
| 24 | \$378 | 462 | 462 |
| 30 | \$433 | 520 | 520 |
| 12 18 | \$362 | 447 | 447 |
| 24 | \$414 | 503 | 503 |
| 30 | \$471 | 555 | 555 |
| | N | L | K |
| CG533. 04 18 | \$301 | 385 | 385 |
| 24 | \$348 | 436 | 436 |
| 30 | \$398 | 483 | 483 |
| 08 18 | \$331 | 416 | 416 |
| 24 | \$386 | 471 | 471 |
| 30 | \$446 | 528 | 528 |
| 12 18 | \$370 | 455 | 455 |
| 24 | \$423 | 510 | 510 |
| 30 | \$483 | 567 | 567 |

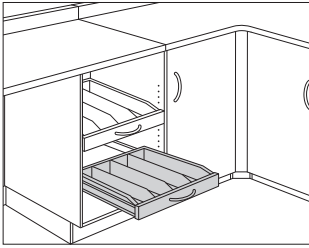
Base Cabinet Drawer *continued*

| Step 6. Surface Finish | | |
|------------------------|--------------------|-------|
| HF | inner tone light | +\$0 |
| LT | light tone | +\$0 |
| LU | soft white | +\$0 |
| WN | warm grey neutral | +\$0 |
| 76 | light brown walnut | +\$30 |
| 91 | white | +\$30 |
| HM | natural maple | +\$30 |
| HX | aged cherry | +\$30 |
| OG | honey maple | +\$45 |

| Step 7. Pull Option/Finish | | |
|----------------------------|----------------|------|
| NN | none | +\$0 |
| BK | black | +\$0 |
| NH | brushed nickel | +\$0 |

Base Cabinet Bottle Drawer

CG537.



Product Information

Description

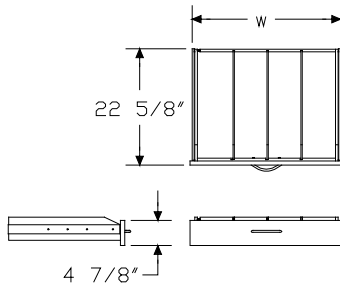
This 6"-high drawer mounts in a base cabinet or storage cabinet. It has a partial-height front for easy access to contents. The drawer is available in 3 widths. The 15⁵/₈"-wide drawer includes 2 dividers; the 21⁵/₈"-wide drawer includes 3 dividers; and the 27⁵/₈"-wide drawer includes 4 dividers. Attachment hardware is included.

Notes

Order cabinet separately:

- ADA base cabinet (CG814.24)
- Base cabinet (CG502.24 or CG502.30)
- Storage cabinet (CG716.24)

Dimensions



Specification Information

Step 1.

CG537.08

Step 2. Width

- 18** 15⁵/₈" wide
- 24** 21⁵/₈" wide
- 30** 27⁵/₈" wide

Prices for Steps 1-2.

| | |
|--------------------|-------|
| CG537.08 18 | \$536 |
| 24 | \$623 |
| 30 | \$712 |

Step 3. Surface Finish

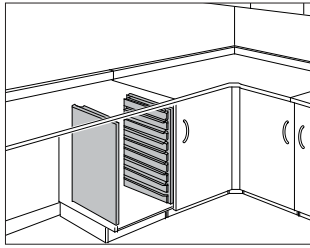
| | | |
|-----------|--------------------|-------|
| HF | inner tone light | +\$0 |
| LT | light tone | +\$0 |
| LU | soft white | +\$0 |
| WN | warm grey neutral | +\$0 |
| 76 | light brown walnut | +\$40 |
| 91 | white | +\$40 |
| HM | natural maple | +\$40 |
| HX | aged cherry | +\$40 |
| OG | honey maple | +\$60 |

Step 4. Pull Option/Finish

| | | |
|-----------|----------------|------|
| NN | none | +\$0 |
| BK | black | +\$0 |
| NH | brushed nickel | +\$0 |

Interior Cabinet Adapter

CG591.



Product Information

Description

This adapter mounts inside a 24"-wide base cabinet. It has 9 slots at 3" intervals to support Co/Struc® storage components and accessories. The adapter can hold lockable drawers. Attachment hardware is included.

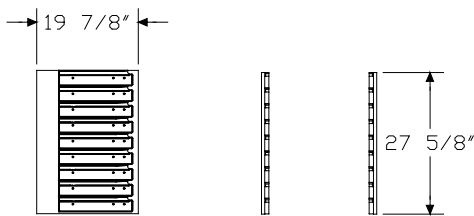
Notes

Order base cabinet (CG502.2424) separately.

Order storage components separately:

- A-, B-, or C-size drawer (CO207, CO208, or CO209)
- C tray/shelf (CO203)
- C wire shelf (CO252)

Dimensions



Specification Information

Step 1.

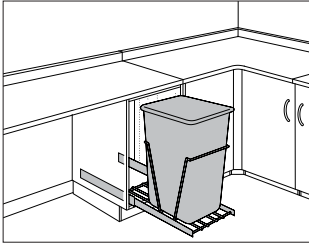
CG591.3218 \$958

Step 2. Surface Finish

| | | |
|-----------|-------------------|------|
| HF | inner tone light | +\$0 |
| LT | light tone | +\$0 |
| LU | soft white | +\$0 |
| WN | warm grey neutral | +\$0 |

Waste Container Holder

CG903.



Product Information

Description
This holder mounts inside a 24"-deep base cabinet. Finish is white. Wastebasket and attachment hardware are included.

Notes

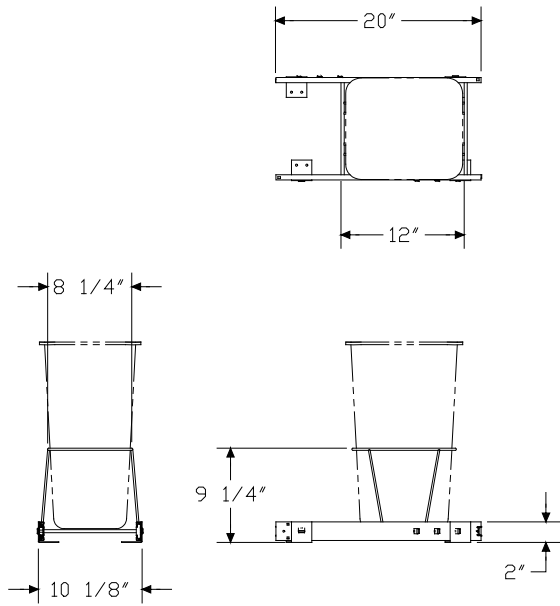
Order base cabinet (CG502.2424) separately.

Dimensions

Specification Information

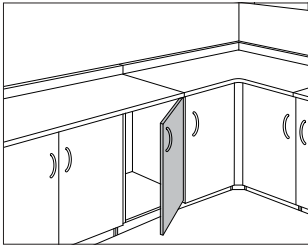
Step 1.
CG903. \$540

Casework Base Cabinet Components



Base Cabinet Door

CG538.
CG539.



Product Information

Description

This door encloses a base cabinet. Attachment hardware is included.

Notes

Order base cabinet (CG502.) separately.

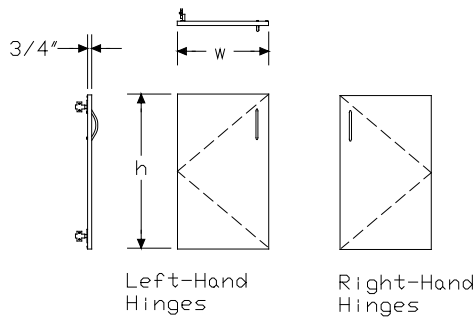
To enclose base cabinet without drawers, specify 30"-high door. To

enclose base cabinet with small drawer, specify 25"-high door. To

enclose base cabinet with medium drawer, specify 22"-high door.

For keyed-alike locks, order lock plugs separately. See Keyed-Alike Information in Appendices.

Dimensions



Specification Information

Step 1.

CG53

Step 2. Hinge Location

- 8.** left-hand hinges
- 9.** right-hand hinges

Step 3. Height

- 22** 22" high
- 25** 25" high
- 30** 30" high

Step 4. Width

- 18** 18" wide
- 24** 24" wide

Step 5. Lock

- N** no lock
- L** keyed differently
- K** keyed alike

Prices for Steps 1-5.

| | N | L | K |
|---------------------|-------|-----|-----|
| CG538. 22 18 | \$285 | 373 | 373 |
| 24 | \$362 | 447 | 447 |
| 25 18 | \$321 | 406 | 406 |
| 24 | \$407 | 491 | 491 |
| 30 18 | \$361 | 446 | 446 |
| 24 | \$461 | 543 | 543 |
| | N | L | K |
| CG539. 22 18 | \$285 | 373 | 373 |
| 24 | \$362 | 447 | 447 |
| 25 18 | \$321 | 406 | 406 |
| 24 | \$407 | 491 | 491 |
| 30 18 | \$361 | 446 | 446 |
| 24 | \$461 | 543 | 543 |

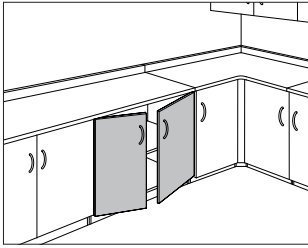
Base Cabinet Door *continued*

| Step 6. Surface Finish | | |
|------------------------|--------------------|-------|
| HF | inner tone light | +\$0 |
| LT | light tone | +\$0 |
| LU | soft white | +\$0 |
| WN | warm grey neutral | +\$0 |
| 76 | light brown walnut | +\$30 |
| 91 | white | +\$30 |
| HM | natural maple | +\$30 |
| HX | aged cherry | +\$30 |
| OG | honey maple | +\$45 |

| Step 7. Pull Option/Finish | | |
|----------------------------|----------------|------|
| NN | none | +\$0 |
| BK | black | +\$0 |
| NH | brushed nickel | +\$0 |

Base Cabinet Double Doors

CG548.



Product Information

Description

These doors enclose a base cabinet. Attachment hardware is included.

Notes

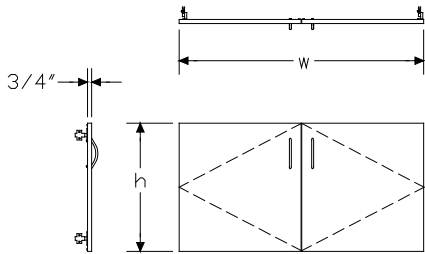
Order base cabinet (CG502.) separately.

To enclose base cabinet without drawers, specify 30"-high doors. To enclose base cabinet with small drawer, specify 25"-high doors. To enclose base cabinet with medium drawer, specify 22"-high doors.

Double doors with lock option are controlled by 1 lock.

For keyed-alike locks, order lock plugs separately. See Keyed-Alike Information in Appendices.

Dimensions



Specification Information

Step 1.

CG548.

Step 2. Height

| | |
|-----------|----------|
| 22 | 22" high |
| 25 | 25" high |
| 30 | 30" high |

Step 3. Width

For 22" high (22) or 30" high (30)

| | |
|-----------|----------|
| 30 | 30" wide |
| 36 | 36" wide |
| 48 | 48" wide |

For 25" high (25)

| | |
|-----------|----------|
| 30 | 30" wide |
| 48 | 48" wide |

Step 4. Lock

| | |
|----------|-------------------|
| N | no lock |
| L | keyed differently |
| K | keyed alike |

Prices for Steps 1-4.

| | N | L | K |
|---------------------|----------|----------|----------|
| CG548. 22 30 | \$440 | 525 | 525 |
| 36 | \$559 | 645 | 645 |
| 48 | \$577 | 662 | 662 |
| 25 30 | \$461 | 543 | 543 |
| 48 | \$585 | 669 | 669 |
| 30 30 | \$491 | 577 | 577 |
| 36 | \$669 | 752 | 752 |
| 48 | \$756 | 840 | 840 |

Step 5. Surface Finish

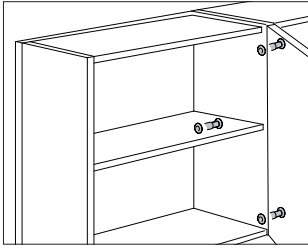
| | | |
|-----------|--------------------|-------|
| HF | inner tone light | +\$0 |
| LT | light tone | +\$0 |
| LU | soft white | +\$0 |
| WN | warm grey neutral | +\$0 |
| 76 | light brown walnut | +\$40 |
| 91 | white | +\$40 |
| HM | natural maple | +\$40 |
| HX | aged cherry | +\$40 |
| OG | honey maple | +\$60 |

Base Cabinet Double Doors *continued*

| Step 6. Pull Option/Finish | | |
|----------------------------|----------------|------|
| NN | none | +\$0 |
| BK | black | +\$0 |
| NH | brushed nickel | +\$0 |

Ganging Hardware

CG991.



Product Information

Description

This hardware joins 2 side-by-side cabinets and eliminates gaps. 3 fasteners are recommended for each set of cabinet connections.

Package contains 50.

Specification Information

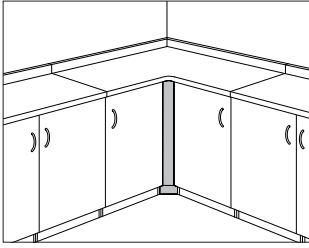
Step 1.

CG991.

\$254

Base Cabinet Filler

CG598.
CG599.

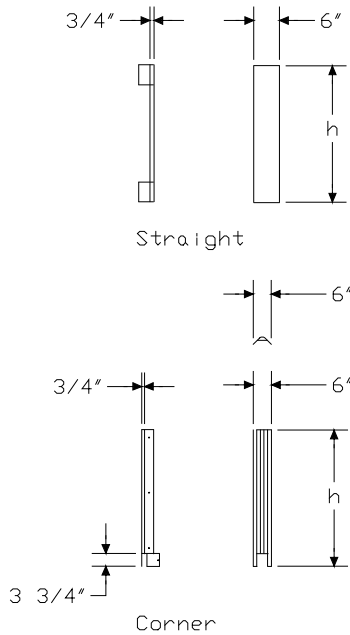


Product Information

Description

This 6"-wide component fills space in a run of base cabinets or storage cabinets. The straight filler fills the space between a run of base cabinets and the wall. The corner filler fills the corner space where 2 runs of base cabinets meet. Attachment hardware is included.

Dimensions



Casework Base Cabinet Components

Specification Information

Step 1.

CG59

Step 2. Type

- 8. straight
- 9. corner

Step 3. Height

For straight (8.)

- 34 34" high for ADA base
- 36 36" high for standard base
- 80 80" high for storage cabinets

For corner (9.)

- 34 34" high for ADA base
- 36 36" high for standard base

Prices for Steps 1-3.

| | |
|------------------|-------|
| CG598. 34 | \$281 |
| 36 | \$291 |
| 80 | \$493 |
| <hr/> | |
| CG599. 34 | \$220 |
| 36 | \$227 |

Step 4. Surface Finish

For straight (8.)

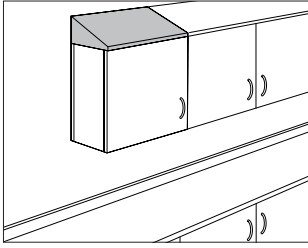
| | | |
|-----------|--------------------|-------|
| HF | inner tone light | +\$0 |
| LT | light tone | +\$0 |
| LU | soft white | +\$0 |
| WN | warm grey neutral | +\$0 |
| 76 | light brown walnut | +\$20 |
| 91 | white | +\$20 |
| HM | natural maple | +\$20 |
| HX | aged cherry | +\$20 |
| OG | honey maple | +\$30 |

For corner (9.)

| | | |
|-----------|-------------------|-------|
| HF | inner tone light | +\$0 |
| LT | light tone | +\$0 |
| LU | soft white | +\$0 |
| WN | warm grey neutral | +\$0 |
| 91 | white | +\$20 |

Sloped Cabinet Top

CG396.



Product Information

Description

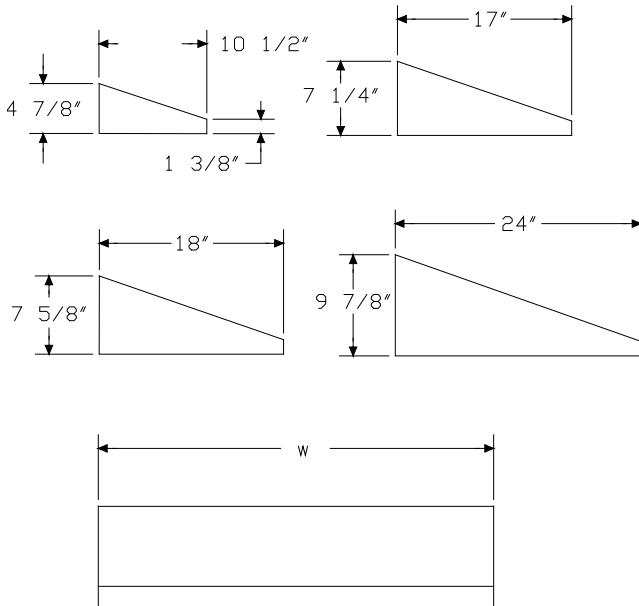
This top attaches to an overhead cabinet or storage cabinet. It is sloped to ease cleaning and prevent the stacking of materials on top of the cabinet. Attachment hardware is included.

Notes

Order 1 of the following support components separately:

- Overhead cabinet with door (CG301., CG302., CG304., CG305., CG331., CG332., CG334., or CG335.)
- Overhead cabinet with double doors (CG315., CG318., CG325., or CG328.)
- Storage cabinet (CG700., CG701., CG702., CG703., CG715., CG716., or CG719.)

Dimensions



Specification Information

Step 1.

CG396.

Step 2. Depth

- 09** 10 1/2" deep
- 16** 17" deep
- 18** 18" deep
- 24** 24" deep

Step 3. Width

For 10 1/2" deep (09) or 17" deep (16)

- 24** 24" wide
- 30** 30" wide
- 36** 36" wide
- 48** 48" wide

For 18" deep (18) or 24" deep (24)

- 24** 24" wide
- 30** 30" wide
- 48** 48" wide

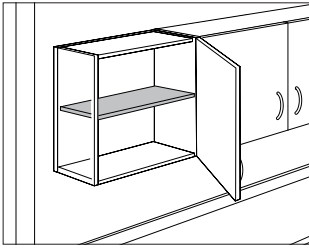
Prices for Steps 1-3.

| | 24 | 30 | 36 | 48 |
|------------------|-------|-----|-----|-----|
| CG396. 09 | \$199 | 234 | 266 | 331 |
| 16 | \$266 | 300 | 331 | 395 |
| 18 | \$281 | 317 | — | 412 |
| 24 | \$347 | 382 | — | 479 |

Step 4. Surface Finish

- 91** white +\$0
- HF** inner tone light +\$0
- LT** light tone +\$0
- LU** soft white +\$0
- WN** warm grey neutral +\$0

Add-On Shelf, Overhead Cabinet CG387.



Product Information

Description
 This shelf fits inside an overhead cabinet and is used as an additional shelf. Attachment hardware is included.

Notes

- Order 1 of the following support components separately:
- Overhead cabinet with door (CG301., CG302., CG304., CG305., CG331., CG332., CG334., or CG335.)
 - Overhead cabinet with double doors (CG315., CG318., CG325., or CG328.)

Dimensions

Specification Information

Step 1.
CG387.

Step 2. Depth

- 09** 9" deep
- 16** 16" deep

Step 3. Width

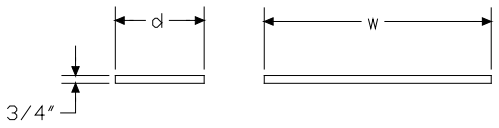
- 24** 22³/₄" wide
- 30** 28³/₄" wide
- 36** 34³/₄" wide
- 48** 46³/₄" wide

Prices for Steps 1-3.

| | 24 | 30 | 36 | 48 |
|------------------|-----------|-----------|-----------|-----------|
| CG387. 09 | \$110 | 113 | 118 | 142 |
| 16 | \$128 | 136 | 146 | 172 |

Step 4. Shelf Finish

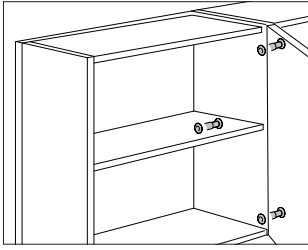
- HF** inner tone light +\$0
- LT** light tone +\$0
- LU** soft white +\$0
- WN** warm grey neutral +\$0
- 76** light brown walnut +\$10
- 91** white +\$10
- HM** natural maple +\$10
- HX** aged cherry +\$10
- OG** honey maple +\$15



Casework Overhead Cabinet Components

Ganging Hardware

CG991.



Product Information

Description

This hardware joins 2 side-by-side cabinets and eliminates gaps. 3 fasteners are recommended for each set of cabinet connections.

Package contains 50.

Specification Information

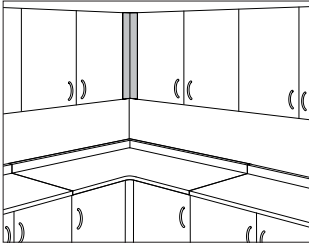
Step 1.

CG991.

\$254

Overhead Cabinet Filler

CG398.
CG399.

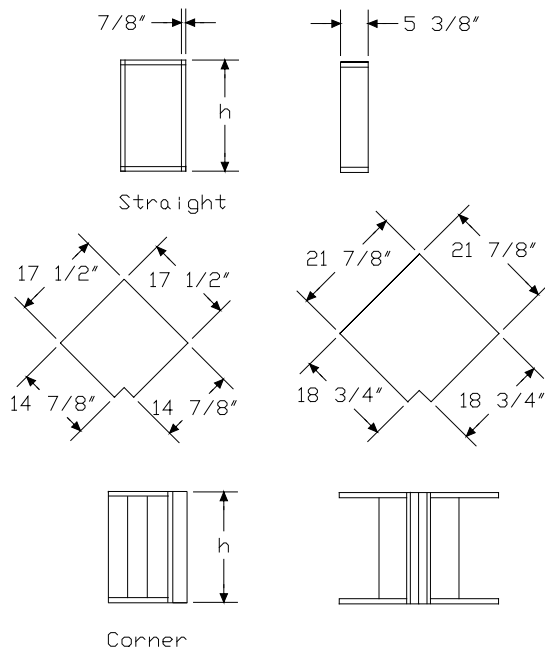


Product Information

Description
This 6"-wide component fills space in a run of overhead cabinets. The straight filler fills the space between a run of overhead cabinets and the wall. The corner filler fills the corner space where 2 runs of overhead cabinets meet. Attachment hardware is included.

Notes
Corner cabinet filler (CG399.) can be used only with cabinets of equal depth.

Dimensions



Casework Overhead Cabinet Components

Specification Information

Step 1.

CG39

Step 2. Type

- 8. straight
- 9. corner

Step 3. Height

- 24 24" high
- 34 34" high

Step 4. Depth

- 09 10 1/2" deep
- 16 17" deep

Prices for Steps 1-4.

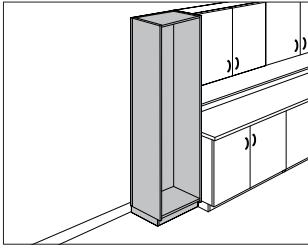
| | 09 | 16 |
|------------------|--------|------|
| CG398. 24 | \$356 | 393 |
| 34 | \$428 | 499 |
| CG399. 24 | \$891 | 980 |
| 34 | \$1078 | 1122 |

Step 5. Surface Finish

| | | |
|-----------|--------------------|-------|
| HF | inner tone light | +\$0 |
| LT | light tone | +\$0 |
| LU | soft white | +\$0 |
| WN | warm grey neutral | +\$0 |
| 76 | light brown walnut | +\$35 |
| 91 | white | +\$35 |
| HM | natural maple | +\$35 |
| HX | aged cherry | +\$35 |
| OG | honey maple | +\$50 |

Storage Cabinet

CG716.



Product Information

Description

This 80"-high cabinet with adjustable glides has an open front and can be specified with doors, drawers, and shelves.

Notes

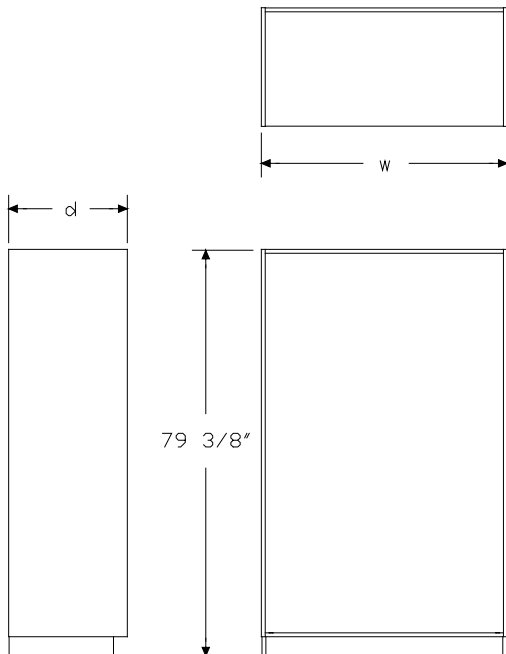
Order interior components separately:

- Base cabinet drawer (CG532. or CG533.)
- Base cabinet shelf (CG516.)
- Distal tube bracket (CV311.)
- Endoscope bracket (CV310.)

To enclose front of cabinet, order storage cabinet door (CG556. or CG557.) or storage cabinet double doors (CG552.) separately. Door cannot be used in front of cabinet drawer.

Order optional sloped cabinet top (CG396.) separately.

Dimensions



Specification Information

Step 1.

CG716.

Step 2. Depth

- 18** 18" deep
- 24** 24" deep

Step 3. Width

- 24** 24" wide
- 30** 30" wide
- 48** 48" wide

Prices for Steps 1-3.

| | 24 | 30 | 48 |
|------------------|--------|------|------|
| CG716. 18 | \$1016 | 1074 | 1203 |
| 24 | \$1194 | 1260 | 1415 |

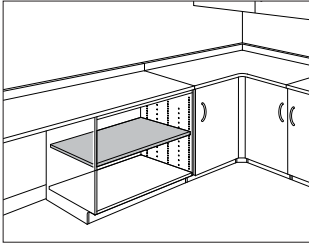
Step 4. Surface Finish

| | | |
|-----------|--------------------|--------|
| HF | inner tone light | +\$0 |
| LT | light tone | +\$0 |
| LU | soft white | +\$0 |
| WN | warm grey neutral | +\$0 |
| 76 | light brown walnut | +\$100 |
| 91 | white | +\$100 |
| HM | natural maple | +\$100 |
| HX | aged cherry | +\$100 |
| OG | honey maple | +\$135 |

Casework Storage Cabinet Components

Base Cabinet Shelf

CG516.



Product Information

Description

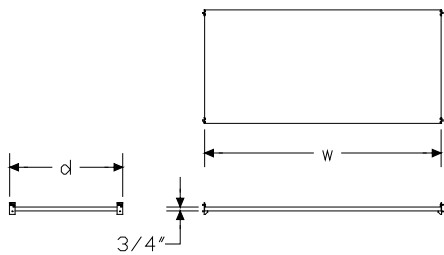
This shelf mounts inside a base cabinet or storage cabinet. It is height adjustable in 1 1/4" increments. Attachment hardware is included.

Notes

Order cabinet separately:

- ADA base cabinet (CG814.)
- Base cabinet (CG502.)
- Storage cabinet (CG716.)

Dimensions



Casework Storage Cabinet Components

Specification Information

Step 1.

CG516.

Step 2. Depth

- 18** 18" deep
- 24** 24" deep
- 30** 30" deep

Step 3. Width

For 18" deep (18) or 30" deep (30)

- 18** 18" wide
- 24** 24" wide
- 30** 30" wide
- 48** 48" wide

For 24" deep (24)

- 18** 18" wide
- 24** 24" wide
- 30** 30" wide
- 36** 36" wide
- 48** 48" wide

Prices for Steps 1-3.

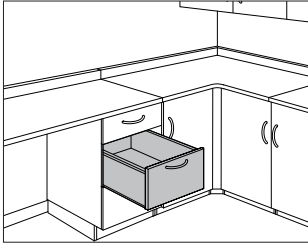
| | 18 | 24 | 30 | 36 | 48 |
|------------------|-------|-----|-----|-----|-----|
| CG516. 18 | \$165 | 198 | 237 | — | 314 |
| 24 | \$215 | 257 | 296 | 381 | 411 |
| 30 | \$237 | 280 | 327 | — | 467 |

Step 4. Surface Finish

| | | |
|-----------|--------------------|-------|
| HF | inner tone light | +\$0 |
| LT | light tone | +\$0 |
| LU | soft white | +\$0 |
| WN | warm grey neutral | +\$0 |
| 76 | light brown walnut | +\$20 |
| 91 | white | +\$20 |
| HM | natural maple | +\$20 |
| HX | aged cherry | +\$20 |
| OG | honey maple | +\$30 |

Base Cabinet Drawer

CG532.
CG533.



Product Information

Description

This drawer mounts inside a base cabinet or storage cabinet. It is available in 3 sizes. Attachment hardware is included.

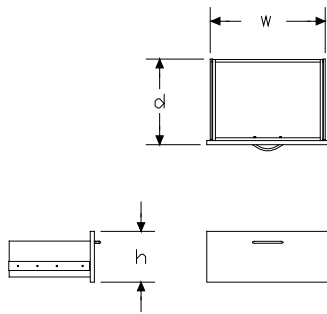
Notes

Order cabinet separately:

- ADA base cabinet (CG814.)
- Base cabinet (CG502.)
- Storage cabinet (CG716.)

For keyed-alike locks, order lock plugs separately. See Keyed-Alike Information in Appendices.

Dimensions



Specification Information

Step 1.

CG53

Step 2. Depth

2. 15³/₄" deep
3. 21³/₄" deep

Step 3. Height

- 04 small, 5" high
- 08 medium, 7¹/₂" high
- 12 large, 10" high

Step 4. Width

- 18 18" wide
- 24 24" wide
- 30 30" wide

Step 5. Lock

- N no lock
- L keyed differently
- K keyed alike

Prices for Steps 1-5.

| | N | L | K |
|---------------------|-------|-----|-----|
| CG532. 04 18 | \$292 | 377 | 377 |
| 24 | \$342 | 425 | 425 |
| 30 | \$390 | 472 | 472 |
| 08 18 | \$325 | 410 | 410 |
| 24 | \$378 | 462 | 462 |
| 30 | \$433 | 520 | 520 |
| 12 18 | \$362 | 447 | 447 |
| 24 | \$414 | 503 | 503 |
| 30 | \$471 | 555 | 555 |
| | N | L | K |
| CG533. 04 18 | \$301 | 385 | 385 |
| 24 | \$348 | 436 | 436 |
| 30 | \$398 | 483 | 483 |
| 08 18 | \$331 | 416 | 416 |
| 24 | \$386 | 471 | 471 |
| 30 | \$446 | 528 | 528 |
| 12 18 | \$370 | 455 | 455 |
| 24 | \$423 | 510 | 510 |
| 30 | \$483 | 567 | 567 |

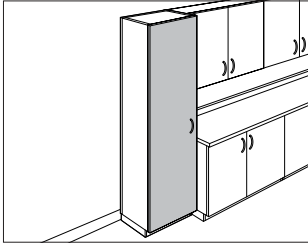
Base Cabinet Drawer *continued*

| Step 6. Surface Finish | | |
|------------------------|--------------------|-------|
| HF | inner tone light | +\$0 |
| LT | light tone | +\$0 |
| LU | soft white | +\$0 |
| WN | warm grey neutral | +\$0 |
| 76 | light brown walnut | +\$30 |
| 91 | white | +\$30 |
| HM | natural maple | +\$30 |
| HX | aged cherry | +\$30 |
| OG | honey maple | +\$45 |

| Step 7. Pull Option/Finish | | |
|----------------------------|----------------|------|
| NN | none | +\$0 |
| BK | black | +\$0 |
| NH | brushed nickel | +\$0 |

Storage Cabinet Door

CG556.
CG557.



Product Information

Description

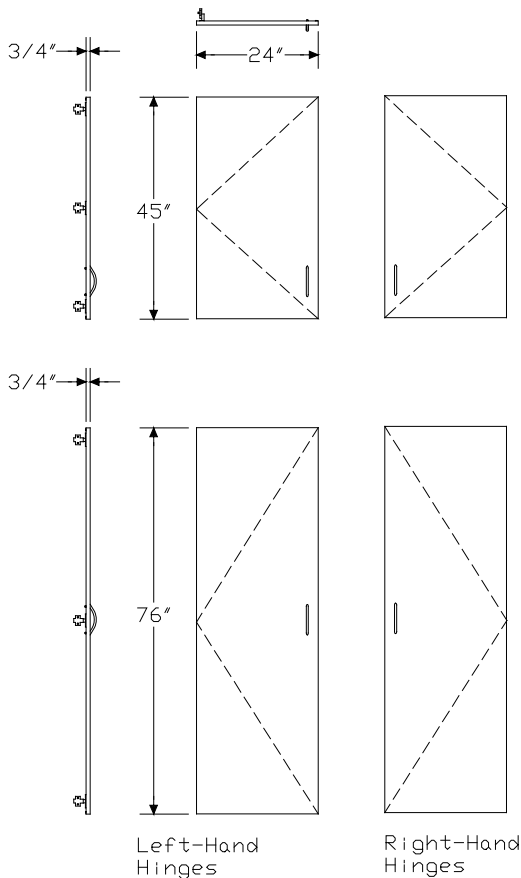
This 24"-wide door encloses a storage cabinet. Attachment hardware is included.

Notes

Order storage cabinet (CG716.) separately.

For keyed-alike locks, order lock plugs separately. See Keyed-Alike Information in Appendices.

Dimensions



Specification Information

Step 1.

CG55

Step 2. Hinge Location

- 6. left-hand hinges
- 7. right-hand hinges

Step 3. Height

- 4524** 45" high
- 7624** 76" high

Step 4. Lock

- N** no lock
- L** keyed differently
- K** keyed alike

Prices for Steps 1-4.

| | N | L | K |
|--------------------|----------|----------|----------|
| CG556. 4524 | \$382 | 443 | 443 |
| 7624 | \$637 | 698 | 698 |
| CG557. 4524 | \$382 | 443 | 443 |
| 7624 | \$637 | 698 | 698 |

Step 5. Surface Finish

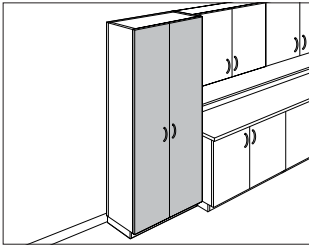
| | | |
|-----------|--------------------|-------|
| HF | inner tone light | +\$0 |
| LT | light tone | +\$0 |
| LU | soft white | +\$0 |
| WN | warm grey neutral | +\$0 |
| 76 | light brown walnut | +\$50 |
| 91 | white | +\$50 |
| HM | natural maple | +\$50 |
| HX | aged cherry | +\$50 |
| OG | honey maple | +\$75 |

Step 6. Pull Option/Finish

| | | |
|-----------|----------------|------|
| NN | none | +\$0 |
| BK | black | +\$0 |
| NH | brushed nickel | +\$0 |

Storage Cabinet Double Doors

CG552.



Product Information

Description
 These doors enclose a storage cabinet. Attachment hardware is included.

Notes
 Order storage cabinet (CG716.) separately.
 For keyed-alike locks, order lock plugs separately. See Keyed-Alike Information in Appendices.

Dimensions

Specification Information

Step 1.
CG552.

Step 2. Height

| | |
|-----------|----------|
| 45 | 45" high |
| 76 | 76" high |

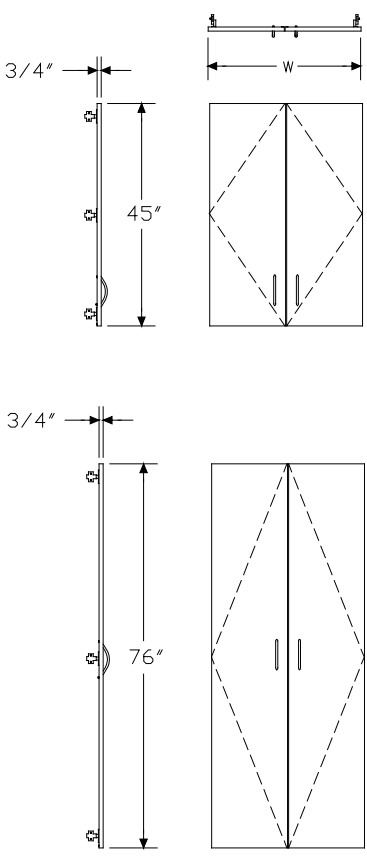
Step 3. Width

| | |
|-----------|----------|
| 30 | 30" wide |
| 48 | 48" wide |

Step 4. Lock

| | |
|----------|-------------------|
| N | no lock |
| L | keyed differently |
| K | keyed alike |

Casework Storage Cabinet Components



Prices for Steps 1-4.

| | N | L | K |
|---------------------|--------|------|------|
| CG552. 45 30 | \$700 | 764 | 764 |
| 48 | \$1092 | 1154 | 1154 |
| 76 30 | \$895 | 956 | 956 |
| 48 | \$1397 | 1460 | 1460 |

Step 5. Surface Finish

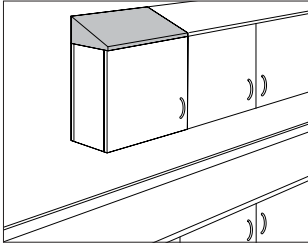
| | | |
|-----------|--------------------|--------|
| HF | inner tone light | +\$0 |
| LT | light tone | +\$0 |
| LU | soft white | +\$0 |
| WN | warm grey neutral | +\$0 |
| 76 | light brown walnut | +\$70 |
| 91 | white | +\$70 |
| HM | natural maple | +\$70 |
| HX | aged cherry | +\$70 |
| OG | honey maple | +\$105 |

Step 6. Pull Option/Finish

| | | |
|-----------|----------------|------|
| NN | none | +\$0 |
| BK | black | +\$0 |
| NH | brushed nickel | +\$0 |

Sloped Cabinet Top

CG396.



Product Information

Description

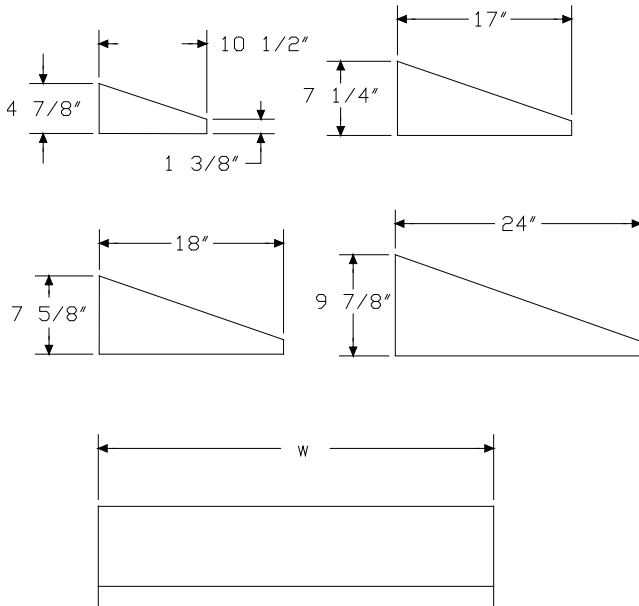
This top attaches to an overhead cabinet or storage cabinet. It is sloped to ease cleaning and prevent the stacking of materials on top of the cabinet. Attachment hardware is included.

Notes

Order 1 of the following support components separately:

- Overhead cabinet with door (CG301., CG302., CG304., CG305., CG331., CG332., CG334., or CG335.)
- Overhead cabinet with double doors (CG315., CG318., CG325., or CG328.)
- Storage cabinet (CG700., CG701., CG702., CG703., CG715., CG716., or CG719.)

Dimensions



Specification Information

Step 1.

CG396.

Step 2. Depth

- 09** 10 1/2" deep
- 16** 17" deep
- 18** 18" deep
- 24** 24" deep

Step 3. Width

For 10 1/2" deep (09) or 17" deep (16)

- 24** 24" wide
- 30** 30" wide
- 36** 36" wide
- 48** 48" wide

For 18" deep (18) or 24" deep (24)

- 24** 24" wide
- 30** 30" wide
- 48** 48" wide

Prices for Steps 1-3.

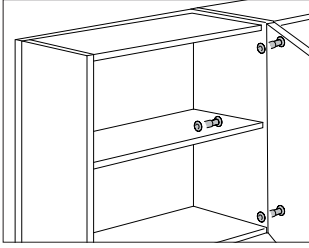
| | 24 | 30 | 36 | 48 |
|------------------|-------|-----|-----|-----|
| CG396. 09 | \$199 | 234 | 266 | 331 |
| 16 | \$266 | 300 | 331 | 395 |
| 18 | \$281 | 317 | — | 412 |
| 24 | \$347 | 382 | — | 479 |

Step 4. Surface Finish

- 91** white +\$0
- HF** inner tone light +\$0
- LT** light tone +\$0
- LU** soft white +\$0
- WN** warm grey neutral +\$0

Ganging Hardware

CG991.



Product Information

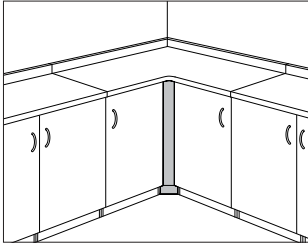
Description
This hardware joins 2 side-by-side cabinets and eliminates gaps. 3 fasteners are recommended for each set of cabinet connections. Package contains 50.

Specification Information

Step 1.
CG991. \$254

Base Cabinet Filler

CG598.
CG599.

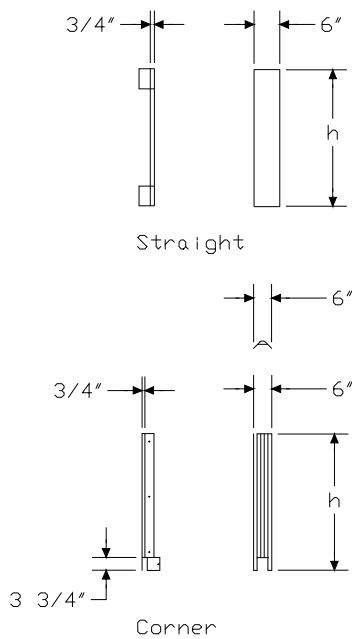


Product Information

Description

This 6"-wide component fills space in a run of base cabinets or storage cabinets. The straight filler fills the space between a run of base cabinets and the wall. The corner filler fills the corner space where 2 runs of base cabinets meet. Attachment hardware is included.

Dimensions



Specification Information

Step 1.

CG59

Step 2. Type

- 8. straight
- 9. corner

Step 3. Height

For straight (8.)

- 34 34" high for ADA base
- 36 36" high for standard base
- 80 80" high for storage cabinets

For corner (9.)

- 34 34" high for ADA base
- 36 36" high for standard base

Prices for Steps 1-3.

| | |
|------------------|-------|
| CG598. 34 | \$281 |
| 36 | \$291 |
| 80 | \$493 |
| <hr/> | |
| CG599. 34 | \$220 |
| 36 | \$227 |

Step 4. Surface Finish

For straight (8.)

| | | |
|-----------|--------------------|-------|
| HF | inner tone light | +\$0 |
| LT | light tone | +\$0 |
| LU | soft white | +\$0 |
| WN | warm grey neutral | +\$0 |
| 76 | light brown walnut | +\$20 |
| 91 | white | +\$20 |
| HM | natural maple | +\$20 |
| HX | aged cherry | +\$20 |
| OG | honey maple | +\$30 |

For corner (9.)

| | | |
|-----------|-------------------|-------|
| HF | inner tone light | +\$0 |
| LT | light tone | +\$0 |
| LU | soft white | +\$0 |
| WN | warm grey neutral | +\$0 |
| 91 | white | +\$20 |

Index by Product Name

| Casework | |
|---|------------|
| | page(s) |
| ADA Base Cabinet | 51 |
| ADA Base Cabinet with Door | 19 |
| ADA Base Cabinet with Double Doors | 21 |
| ADA Base Cabinet with Drawer and Door | 22 |
| ADA Base Cabinet with Drawer and Double Doors | 24 |
| ADA Base Cabinet with Drawers | 17 |
| ADA Sink Cabinet with Door | 25 |
| ADA Sink Cabinet with Double Doors | 26 |
| ADA Sink Cabinet with Double Doors and Drawer Front | 27 |
| ADA Sink Support, Wall Mounted | 28 |
| Add-On Shelf, Overhead Cabinet | 66 |
| Backsplash Filler | 33 |
| Base Cabinet | 50 |
| Base Cabinet Bottle Drawer | 56 |
| Base Cabinet Door | 59 |
| Base Cabinet Double Doors | 61 |
| Base Cabinet Drawer | 54, 71 |
| Base Cabinet Filler | 64, 77 |
| Base Cabinet Pullout Shelf | 53 |
| Base Cabinet Shelf | 52, 70 |
| Base Cabinet with Door | 7 |
| Base Cabinet with Double Doors | 9 |
| Base Cabinet with Drawer and Door | 10 |
| Base Cabinet with Drawer and Double Doors | 12 |
| Base Cabinet with Drawers | 5 |
| Corian® Corner Work Surface | 35 |
| Corian® Sidesplash | 36 |
| Corian® Work Surface | 34 |
| Corner Work Surface | 31 |
| Ganging Hardware | 63, 67, 76 |
| Interior Cabinet Adapter | 57 |
| Overhead Cabinet Filler | 68 |
| Overhead Cabinet with Door | 38 |
| Overhead Cabinet with Double Doors | 40 |
| Overhead Cabinet with Double Glass Doors | 44 |
| Overhead Cabinet with Glass Door | 42 |
| Sidesplash | 32 |
| Sink Cabinet with Door | 13 |
| Sink Cabinet with Door and Drawer Front | 15 |
| Sink Cabinet with Double Doors | 14 |
| Sink Cabinet with Double Doors and Drawer Front | 16 |
| Sloped Cabinet Top | 65, 75 |
| Storage Cabinet | 69 |
| Storage Cabinet Door | 73 |
| Storage Cabinet Double Doors | 74 |

| | |
|---|----|
| Storage Cabinet with Door | 46 |
| Storage Cabinet with Double Doors | 47 |
| Storage Cabinet with Double Glass Doors | 49 |
| Storage Cabinet with Glass Door | 48 |
| Waste Container Holder | 58 |
| Work Surface | 29 |
| Work Surface Support | 37 |



Index by Product Number

| | | | |
|--|------------|--|------------|
| C2920. Backsplash Filler | page(s) 33 | CG626. Base Cabinet with Drawer and Door | 10 |
| CG211. Work Surface | 29 | CG627. | |
| CG212. Corian® Work Surface | 34 | CG635. Sink Cabinet with Double Doors | 14 |
| CG218. Corner Work Surface | 31 | CG636. Sink Cabinet with Door | 13 |
| CG219. Corian® Corner Work Surface | 35 | CG637. | |
| CG296. Sidesplash | 32 | CG642. Sink Cabinet with Double Doors and Drawer Front | 16 |
| CG297. Corian® Sidesplash | 36 | CG643. Sink Cabinet with Door and Drawer Front | 15 |
| CG301. Overhead Cabinet with Door | 38 | CG644. | |
| CG302. | | CG700. Storage Cabinet with Door | 46 |
| CG304. Overhead Cabinet with Glass Door | 42 | CG701. | |
| CG305. | | CG702. Storage Cabinet with Glass Door | 48 |
| CG315. Overhead Cabinet with Double Doors | 40 | CG703. | |
| CG318. Overhead Cabinet with Double Glass Doors | 44 | CG715. Storage Cabinet with Double Doors | 47 |
| CG325. Overhead Cabinet with Double Doors | 40 | CG716. Storage Cabinet | 69 |
| CG328. Overhead Cabinet with Double Glass Doors | 44 | CG719. Storage Cabinet with Double Glass Doors | 49 |
| CG331. Overhead Cabinet with Door | 38 | CG800. ADA Base Cabinet with Drawers | 17 |
| CG332. | | CG801. | |
| CG334. Overhead Cabinet with Glass Door | 42 | CG802. ADA Base Cabinet with Door | 19 |
| CG335. | | CG803. | |
| CG387. Add-On Shelf, Overhead Cabinet | 66 | CG804. ADA Base Cabinet with Double Doors | 21 |
| CG396. Sloped Cabinet Top | 65, 75 | CG805. ADA Base Cabinet with Drawer and Door | 22 |
| CG398. Overhead Cabinet Filler | 68 | CG806. | |
| CG399. | | CG807. ADA Base Cabinet with Drawer and Double Doors | 24 |
| CG502. Base Cabinet | 50 | CG808. ADA Sink Cabinet with Door | 25 |
| CG508. ADA Sink Support, Wall Mounted | 28 | CG809. | |
| CG509. Work Surface Support | 37 | CG810. ADA Sink Cabinet with Double Doors | 26 |
| CG516. Base Cabinet Shelf | 52, 70 | CG813. ADA Sink Cabinet with Double Doors and Drawer Front | 27 |
| CG517. Base Cabinet Pullout Shelf | 53 | CG814. ADA Base Cabinet | 51 |
| CG532. Base Cabinet Drawer | 54, 71 | CG903. Waste Container Holder | 58 |
| CG533. | | CG991. Ganging Hardware | 63, 67, 76 |
| CG537. Base Cabinet Bottle Drawer | 56 | | |
| CG538. Base Cabinet Door | 59 | | |
| CG539. | | | |
| CG548. Base Cabinet Double Doors | 61 | | |
| CG552. Storage Cabinet Double Doors | 74 | | |
| CG556. Storage Cabinet Door | 73 | | |
| CG557. | | | |
| CG591. Interior Cabinet Adapter | 57 | | |
| CG598. Base Cabinet Filler | 64, 77 | | |
| CG599. | | | |
| CG602. Base Cabinet with Drawers | 5 | | |
| CG604. | | | |
| CG608. Base Cabinet with Door | 7 | | |
| CG609. | | | |
| CG614. Base Cabinet with Double Doors | 9 | | |
| CG625. Base Cabinet with Drawer and Double Doors | 12 | | |



20-Day or Less/Assigned Lead-Time Order Information – Healthcare

20-Day or Less/Assigned Lead-Time Programs

20-day or less and assigned lead-time products are designed for established Herman Miller dealers with pre-approved credit.

Products are distributed from multiple manufacturing facilities across the United States. All products and options not designated by an Assigned Lead-Time icon **A** will ship in 20 business days or less after being acknowledged by Herman Miller. Products and options designated by an **A** are on the assigned lead-time program and will ship in 20 days, less than 20 days, or more than 20 days from order acknowledgement.

Ordering Procedure

Please place orders through Order Manager. If this is not available to you, place orders through mail or fax. Verbal purchase orders will not be accepted.

Order Entry fax number: (616) 654 3085.

For more information, contact your Customer Care representative at:
(866) 854 3048 EXT 3400

Shipments and Delivery

Per Herman Miller Terms and Conditions.

Changes and Cancellation

Per Herman Miller Terms and Conditions.



Packaging

Packaging varies according to individual product. A surcharge may be added for special packaging requests. Contact Customer Care for specific information.

Keyed-Alike Locks

All components with locks may be specified keyed alike.

Keyed-alike Casework components will be shipped with lock chassis installed. Lock plugs will be shipped separately, tagged for product and location as specified. Installation of lock plugs will be on-site according to instructions provided. Herman Miller Inc., will not be responsible for lock plug installation.

To order keyed-alike locks for Casework components, specify keyed alike. Then place a separate order for plugs and locks:

1. List plug part number and key number (232092-XXX); select a key number (or numbers) between 226 and 427, excluding numbers 408 and 412.
2. List quantity of locks per key number.
3. Indicate this is a no charge order.

Keyed-alike locks are field installed.

A master key can be used to open any lock on a Casework component. To remove lock plugs from existing components, a removal key (#232228) or lock change tool (#234559) is required. Customers interested in ordering master keys, removal keys, or lock change tools should contact Customer Care with a written request.



For more information about our products and services or to see a list of dealers, please visit us at HermanMiller.com or call (800) 851 1196.

© 2018 Herman Miller, Inc., Zeeland, Michigan

® **HermanMiller**, 3D Intelligent, AO, Action Office, Aeron, ArcSpan, Aside, Avall, Avive, Bubble Lamps, Canvas Office Landscape, Caper, Celle, Co/Struc, Daisyone, Distil, Eames, Eco-Dematerialized, Embody, Envelop, Equa 2, Ergon 3, Ethospace, Exclave, Fine-Tune, FlexFront, Flo, Formcoat, Formwork, Ground Cloth, Herman Miller for the Home, Herman Miller for Healthcare, Intersect, Kinemat, Lapjack, Layout Studio, Lifework, Limerick, Live Unframed, Living Office, Locale, Maharam, Meridian, Mirra, Passage, Pellicle, Perspectives, PostureFit, Public Office Landscape, Resolve, Rodney, Sayl, Setu, Thrive, Tu, Wishbone, and Y-Tower are among the registered trademarks of Herman Miller, Inc., and its owned subsidiaries.

™ 8Z Pellicle, About Face, AireWeave, Albert, Backfit, Bubbletack, Burdick Group, Butterfly Back, Celeste, Cellular Suspension, Clam, Compass, Connect, Cubert, DOT, Duracare, Durawrap, Eames Soft Pad, EnhancedAccess, Everywhere, Flex-Edge, Flute, Harmonic, Herman Miller Select, Hopsak 2, Intent, Iota, Jaw, Keyless Entry, Keyn Chair Group by Herman Miller, Latitude, Locale, Logic Mini, Logic Power Access Solutions, Live OS, Loop, Lyris, Lyris 2, Made-to-Measure Storage, Metaform Portfolio, Mora, Motia, Multiscrim, Nelson, Pari, Pixelated Support, Plex, PostureFit SL, Prospect, Q, Renew, Sense, Soft Pad, Stackable, Stackable Storage, Striad, Swoop, Tone, TriFlex, Twist, Ubi, Verus and Wireframe are among the trademarks of Herman Miller, Inc., and its owned subsidiaries.

SM Herman Miller Options is among the service marks of Herman Miller, Inc.

Alexander Girard® is a registered trademark of The Alexander Girard Estate.

Chemsur® is a registered trademark of Wilsonart International.

Corian® is a registered trademark of E. I. du Pont de Nemours and Company Corporation.

Crypton® is a registered trademark of Crypton, Inc.

DACRON® is a registered trademark of INVISTA S.a r.l.

Edelman® Leather is a registered trademark of Edelman Leather, Inc.

FENIX NTM® is a registered trademark of Arpa Industriale S.p.A.

FLEXNET™ is a trademark of Milliken & Company.

Floor Saver Glide® is a registered trademark of Carpin Manufacturing, Inc.

Geiger® is a registered trademark, and Bumper™, Saiba™, and Ward Bennett™ are trademarks, of Geiger International.

Goetz™ is a trademark of Mark W. Goetz.

Hang-It-All® is a registered trademark of Lucia Eames Demetrios, d.b.a. Eames Office.

Holophane® is a registered trademark of Holophane.

Ingeo™ is a trademark of Cargill Dow LLC.

iPad® is a registered trademark of Apple, Inc.

LifeSize® is a registered trademark of LifeSize Communications, Inc.

Magis®, Bombo®, and Me Too® are registered trademarks of Magis S.p.A.

Microsoft® and Natural® Keyboard are registered trademarks of Microsoft Corporation.

Noguchi® and the Noguchi table configuration (trade dress) are registered trademarks, and Rudder Table™ is a trademark, of The Isamu Noguchi Foundation and Garden Museum.

Place Textiles® is a registered trademark of Place Textiles.

SuperSeat™ is a trademark of Dahti Seating, a division of ITW.