



Prices effective February 5, 2018

Locale®

Introduction	page 2
Locale®	3
Desking	5
Storage	55
Screens and Display	63
Accessories	76
Tables	79
Power	83
Indices	95
By Name	95
By Number	97
Appendices	
20-Day or Less/Assigned Lead-Time Order Information	
Stain-to-Match Program	
Customer's Own Material Order Information-Workspaces	
Proprietary Textiles Application Chart-Workspaces	
Proprietary Textile Colors-Workspaces	
For the latest materials information, refer to the Materials pages on HermanMiller.com.	

Introduction

A Note on the Organization of This Book

There are a few signals that will help you understand the organization of this book. Once you know them, you should be able to find your way around easily.

Like a newspaper, this book is formatted with columns of text and illustrations that run vertically.

Information wraps from one column to the next and continues for as many pages as it needs to.

Black bars are clues.

A black bar at the top of a page signals the start of information about a product.

This information is divided into two sections, each signaled by a black bar. Product Information includes a description, additional notes, and dimensional drawings. Specification Information, which always begins at the top of a column, includes a series of steps. Each step represents a decision you need to make in order to complete your product number. Steps must be followed sequentially. The number of pages needed to complete information on a product varies; some will be complete in one page; others may fill three or four pages. Just continue going through the steps until you run into the next product, signaled by the black bar at the top of the page.

Black tabs running along the outside edge of the page help you locate what section you are in or what section you want to go to. You can thumb forwards or backwards to find a section; tabs and text appear on both sides of the page.

The additional pages in the back of the book include the appendices and indices. They are signaled by a long black bar running along the outside edge of the page.

The index is presented two ways.

The first index is in alphabetical order by product name. It can be helpful if you are new to the products and numbering scheme or if you are looking for a type of product, such as work chair or round table.

The second index is by product number. It lists, in alphanumeric order, the base product number, typically a five-digit number.

General Information

This book is effective February 5, 2018, subject to change without notice. Products may be purchased from authorized Herman Miller dealers who will quote prices upon request. For more information about our products and services or to see a list of dealers, visit www.HermanMiller.com.


All prices are list prices. Additional services, such as planning services, design, storage, and installation, are not included and must be added to these prices when the additional services are requested.


Illustrations, specifications, and prices are based on the latest information at the time of publication. The right is reserved to make changes at any time without notice in prices, fabrics, finishes, materials, specifications, and models, and also to discontinue models and finishes.

Dimensions shown in the drawings are engineering drawing dimensions rounded up to the nearest $\frac{1}{8}$ ". Product is shipped set up or knocked down. Products that include "Shipped knocked down" in the description require some assembly. If this statement does not appear in the description, the product is shipped assembled.

Service problems are normally handled by a Herman Miller authorized dealer. Where this cannot be accomplished on a local level, service problems should be referred to the Customer Care Representative for your region, Herman Miller, Inc., Zeeland, Michigan 49464.

20-Day or Less/Assigned Lead-Time Shipments

All products and options in this price book not designated by an Assigned Program icon  will ship in **20 business days or less** after being acknowledged by Herman Miller.

Products and options designated by an  are on the assigned lead-time program and may ship in 20 days, less than 20 days, or more than 20 days from order acknowledgement.

Desking

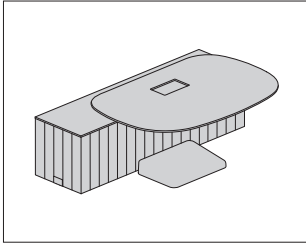
Storage

Screens and Display

Accessories

Tables

Power



Product Information

Description

This D-desk single is an individual work station with enclosed storage. The desk is oriented parallel to the Workbase. It is freestanding or can be connected end to end with other Locale® modules.

The Workbase has enclosed storage that can be accessed from both sides. It has 2" (51mm) leveling glides and contains 2 storage compartments, each with an adjustable shelf and a removable bottom shelf for access to power and data raceway. Doors have a push latch. The grooved panel exterior minimizes the appearance of individual doors. The panels are available in laminate or veneer. The Workbase top is 1/2" (13mm) thick, available in laminate.

The Workbase is nonpowered. Modular power blocks, harnesses and receptacles must be ordered separately to power the unit and pass power to connecting modules. Hardwire options are available. A power pass-through cutout is on either end of the Workbase. Finished ends include a cutout cover. An optional Workbase top power access cutout with square grommet is available opposite the desk column. This option provides power routing to inside the Workbase for components located opposite the desk.

The desk surface is cantilevered off the Workbase, supported by a column with outrigger supports at the floor. Outrigger supports have an ABS plastic cover which functions as a foot rest.

The desk is specified as fixed height at 29" (736mm) high, or height adjustable. The adjustable desk has electrical height adjustment with an included control lever that can be mounted on the left or right. Desk surface height range is 25" (635mm) to 49" (1244mm). Desk is 3/4" (19mm) thick and is available in squared edge laminate or veneer, or thin edge Formcoat®. Desk surface has a cutout for user power components which must be ordered separately. Cable management tray is included. Tray finish matches desk understructure finish. A through-mount hole with grommet cover is provided on the desk surface for monitor arm support.

Notes

Exposed end of Workbase must be finished. Unfinished ends have predrilled holes for connecting units together. Specify correct option based on Workbase orientation and number of modules connecting together. Left and right specification is defined from user's side of the Workbase. Connecting hardware included.

Door swings can be specified to accommodate storage access direction. Choose the appropriate door swing based on desk orientation. See Planning Guide for more details.

The wood grain for veneer Workbase panels is vertical.

For laminate (M) Workbase, interior finish matches exterior finish. For veneer (W) Workbase, interior finish matches Workbase top finish.

Finished end cutout covers for laminate (M) Workbase match Workbase finish. For veneer (W) Workbases, finished end cutout covers match Workbase top finish.

During installation, power and data cables are routed through the desk column from the Workbase to the cable management tray. Workbase panels at column location are removable for access.

Recommend Flo® single-screen monitor arm support with Locale through surface mount attachment bracket (Y91171.LOC), ordered separately.

Monitor arms must be compatible with 3/4" (19mm) thick surfaces. Clamp mount arms cannot be mounted in center back of D-desk surface.

When specifying Workbase screen (BRWBS.), specify Workbase accessory cutout (S) to match.

For Workbases with locks, contact Options.

See Planning Guide for configurations and desk edge detail.

For laminate (L) desk top material, edge and grommet colors are predetermined:

Laminate—Edgeband Color—Monitor Hole Grommet Cover Color

Neutral Twill (LBF)—Sandstone (WL)—White (G1)

Sarum Twill (LBG)—Folkstone Grey (8Q)—Folkstone Grey (8Q)

Earthen Twill (LBH)—Medium Tone (MT)—Graphite (G2)

Graphite Twill (LBJ)—Medium Tone (MT)—Graphite (G2)

White Twill (LBQ)—White (G1)—White (G1)

Pewter Mesh (LBK)—Warm Grey Neutral (WN)—Graphite (G2)

Steel Mesh (LBL)—Slate Grey (SG)—Graphite (G2)

Crisp Linen (LBM)—Folkstone Grey (8Q)—Folkstone Grey (8Q)

Classic Linen (LBN)—Sandstone (WL)—White (G1)

Casual Linen (LBP)—Warm Grey Neutral (WN)—Graphite (G2)

Clear on Ash (LBA)—White (G1)—White (G1)

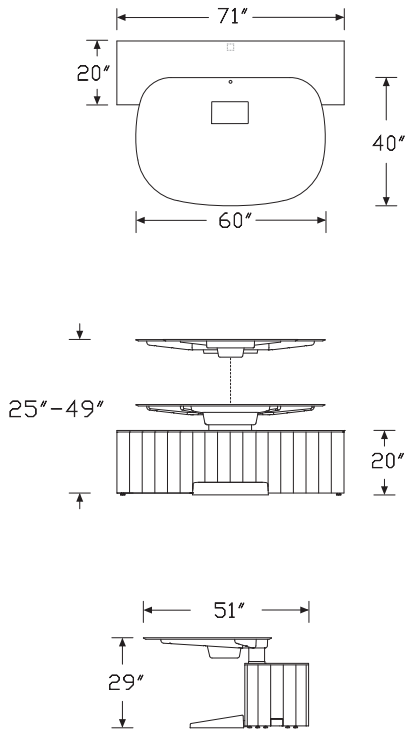
Oak on Ash (LBB)—Medium Tone (MT)—Graphite (G2)

Walnut on Ash (LBC)—Medium Tone (MT)—Graphite (G2)

Order these products separately:

- Power entry (BRE01. or BRE02.)
- Power block (BRE03.)
- Power duplex (BRE04.)
- Power jumper (BRE05.)
- Modular receptacle (BRE06.)
- Workbase screen (BRWBS.)
- Logic G1000 desktop power grommet (Y1425.C or Y1425.F) with plug end power cord option (A) or Logic G1200 nonpowered grommet pass thru (Y1420.V)

Dimensions



Specification Information

Step 1.

BRDS. A

Step 2. Adjustability

A adjustable A

F fixed height A

Step 3. Electrical Cutout Type

D desk electrical cutout A

G desk top and workbase top electrical cutout A

Step 4. Desk Top Material Type

L laminate A

T formcoat® A

W veneer A

Step 5. Workbase Orientation

EE both ends finished - end/end A

EM left finished end - end/mid A

ME right finished end - mid/end A

MM both ends unfinished - mid/mid A

Step 6. Workbase Accessory Cutout

N no cutout A

S workbase screen cutout A

Step 7. Door Configuration

1 front doors A

2 back doors A

3 alternating doors A

Step 8. Workbase Panel Material

M low-pressure laminate A

W veneer A

Prices for Steps 1-8.

		LEEN1M	LEEN1W	LEEN2M	LEEN2W	LEEN3M	LEEN3W
BRDS.	A D	\$6250	7175	6250	7175	6250	7175
	G	\$6300	7225	6300	7225	6300	7225
F	D	\$5313	6238	5313	6238	5313	6238
	G	\$5413	6338	5413	6338	5413	6338

		LEES1M	LEES1W	LEES2M	LEES2W	LEES3M	LEES3W
BRDS.	A D	\$6250	7175	6250	7175	6250	7175
	G	\$6300	7225	6300	7225	6300	7225

	F	D	\$5313	6238	5313	6238	5313	6238
		G	\$5413	6338	5413	6338	5413	6338
			LEMN1M	LEMN1W	LEMN2M	LEMN2W	LEMN3M	LEMN3W
BRDS.	A	D	\$6140	7065	6140	7065	6140	7065
		G	\$6190	7115	6190	7115	6190	7115
	F	D	\$5203	6128	5203	6128	5203	6128
		G	\$5303	6228	5303	6228	5303	6228
			LEMS1M	LEMS1W	LEMS2M	LEMS2W	LEMS3M	LEMS3W
BRDS.	A	D	\$6140	7065	6140	7065	6140	7065
		G	\$6190	7115	6190	7115	6190	7115
	F	D	\$5203	6128	5203	6128	5203	6128
		G	\$5303	6228	5303	6228	5303	6228
			LMEN1M	LMEN1W	LMEN2M	LMEN2W	LMEN3M	LMEN3W
BRDS.	A	D	\$6140	7065	6140	7065	6140	7065
		G	\$6190	7115	6190	7115	6190	7115
	F	D	\$5203	6128	5203	6128	5203	6128
		G	\$5303	6228	5303	6228	5303	6228
			LMES1M	LMES1W	LMES2M	LMES2W	LMES3M	LMES3W
BRDS.	A	D	\$6140	7065	6140	7065	6140	7065
		G	\$6190	7115	6190	7115	6190	7115
	F	D	\$5203	6128	5203	6128	5203	6128
		G	\$5303	6228	5303	6228	5303	6228
			LMMN1M	LMMN1W	LMMN2M	LMMN2W	LMMN3M	LMMN3W
BRDS.	A	D	\$6060	6985	6060	6985	6060	6985
		G	\$6110	7035	6110	7035	6110	7035
	F	D	\$5123	6048	5123	6048	5123	6048
		G	\$5223	6148	5223	6148	5223	6148
			LMMS1M	LMMS1W	LMMS2M	LMMS2W	LMMS3M	LMMS3W
BRDS.	A	D	\$6060	6985	6060	6985	6060	6985
		G	\$6110	7035	6110	7035	6110	7035
	F	D	\$5123	6048	5123	6048	5123	6048
		G	\$5223	6148	5223	6148	5223	6148
			TEEN1M	TEEN1W	TEEN2M	TEEN2W	TEEN3M	TEEN3W
BRDS.	A	D	\$6370	7295	6370	7295	6370	7295
		G	\$6420	7345	6420	7345	6420	7345
	F	D	\$5433	6358	5433	6358	5433	6358
		G	\$5533	6458	5533	6458	5533	6458

			TEES1M	TEES1W	TEES2M	TEES2W	TEES3M	TEES3W
BRDS.	A	D	\$6370	7295	6370	7295	6370	7295
		G	\$6420	7345	6420	7345	6420	7345
	F	D	\$5433	6358	5433	6358	5433	6358
		G	\$5533	6458	5533	6458	5533	6458
			TEMN1M	TEMN1W	TEMN2M	TEMN2W	TEMN3M	TEMN3W
BRDS.	A	D	\$6260	7185	6260	7185	6260	7185
		G	\$6310	7235	6310	7235	6310	7235
	F	D	\$5323	6248	5323	6248	5323	6248
		G	\$5423	6348	5423	6348	5423	6348
			TEMS1M	TEMS1W	TEMS2M	TEMS2W	TEMS3M	TEMS3W
BRDS.	A	D	\$6260	7185	6260	7185	6260	7185
		G	\$6310	7235	6310	7235	6310	7235
	F	D	\$5323	6248	5323	6248	5323	6248
		G	\$5423	6348	5423	6348	5423	6348
			TMEN1M	TMEN1W	TMEN2M	TMEN2W	TMEN3M	TMEN3W
BRDS.	A	D	\$6260	7185	6260	7185	6260	7185
		G	\$6310	7235	6310	7235	6310	7235
	F	D	\$5323	6248	5323	6248	5323	6248
		G	\$5423	6348	5423	6348	5423	6348
			TMES1M	TMES1W	TMES2M	TMES2W	TMES3M	TMES3W
BRDS.	A	D	\$6260	7185	6260	7185	6260	7185
		G	\$6310	7235	6310	7235	6310	7235
	F	D	\$5323	6248	5323	6248	5323	6248
		G	\$5423	6348	5423	6348	5423	6348
			TMMN1M	TMMN1W	TMMN2M	TMMN2W	TMMN3M	TMMN3W
BRDS.	A	D	\$6180	7105	6180	7105	6180	7105
		G	\$6230	7155	6230	7155	6230	7155
	F	D	\$5243	6168	5243	6168	5243	6168
		G	\$5343	6268	5343	6268	5343	6268
			TMMS1M	TMMS1W	TMMS2M	TMMS2W	TMMS3M	TMMS3W
BRDS.	A	D	\$6180	7105	6180	7105	6180	7105
		G	\$6230	7155	6230	7155	6230	7155
	F	D	\$5243	6168	5243	6168	5243	6168
		G	\$5343	6268	5343	6268	5343	6268
			WEEN1M	WEEN1W	WEEN2M	WEEN2W	WEEN3M	WEEN3W
BRDS.	A	D	\$7075	8000	7075	8000	7075	8000
		G	\$7125	8050	7125	8050	7125	8050
	F	D	\$6138	7063	6138	7063	6138	7063
		G	\$6238	7163	6238	7163	6238	7163

			WEES1M	WEES1W	WEES2M	WEES2W	WEES3M	WEES3W	
BRDS.	A	D	\$7075	8000	7075	8000	7075	8000	
		G	\$7125	8050	7125	8050	7125	8050	
	F	D	\$6138	7063	6138	7063	6138	7063	
		G	\$6238	7163	6238	7163	6238	7163	
				WEMN1M	WEMN1W	WEMN2M	WEMN2W	WEMN3M	WEMN3W
	BRDS.	A	D	\$6965	7890	6965	7890	6965	7890
G			\$7015	7940	7015	7940	7015	7940	
F		D	\$6028	6953	6028	6953	6028	6953	
		G	\$6128	7053	6128	7053	6128	7053	
			WEMS1M	WEMS1W	WEMS2M	WEMS2W	WEMS3M	WEMS3W	
BRDS.		A	D	\$6965	7890	6965	7890	6965	7890
	G		\$7015	7940	7015	7940	7015	7940	
	F	D	\$6028	6953	6028	6953	6028	6953	
		G	\$6128	7053	6128	7053	6128	7053	
				WMEN1M	WMEN1W	WMEN2M	WMEN2W	WMEN3M	WMEN3W
	BRDS.	A	D	\$6965	7890	6965	7890	6965	7890
G			\$7015	7940	7015	7940	7015	7940	
F		D	\$6028	6953	6028	6953	6028	6953	
		G	\$6128	7053	6128	7053	6128	7053	
			WMES1M	WMES1W	WMES2M	WMES2W	WMES3M	WMES3W	
BRDS.		A	D	\$6965	7890	6965	7890	6965	7890
	G		\$7015	7940	7015	7940	7015	7940	
	F	D	\$6028	6953	6028	6953	6028	6953	
		G	\$6128	7053	6128	7053	6128	7053	
				WMMN1M	WMMN1W	WMMN2M	WMMN2W	WMMN3M	WMMN3W
	BRDS.	A	D	\$6885	7810	6885	7810	6885	7810
G			\$6935	7860	6935	7860	6935	7860	
F		D	\$5948	6873	5948	6873	5948	6873	
		G	\$6048	6973	6048	6973	6048	6973	
			WMMS1M	WMMS1W	WMMS2M	WMMS2W	WMMS3M	WMMS3W	
BRDS.		A	D	\$6885	7810	6885	7810	6885	7810
	G		\$6935	7860	6935	7860	6935	7860	
	F	D	\$5948	6873	5948	6873	5948	6873	
		G	\$6048	6973	6048	6973	6048	6973	

Step 9. Desk Top Finish

For laminate (L)

8Q	folkstone grey A	+\$0
91	white A	+\$0
LBA	clear on ash A	+\$0
LBB	oak on ash A	+\$0
LBC	walnut on ash A	+\$0
LBF	neutral twill A	+\$0
LBG	sarum twill A	+\$0
LBH	earthen twill A	+\$0
LBJ	graphite twill A	+\$0
LBK	pewter mesh A	+\$0
LBL	steel mesh A	+\$0
LBM	crisp linen A	+\$0
LBN	classic linen A	+\$0
LBP	casual linen A	+\$0
LBQ	white twill A	+\$0

For formcoat® (T)

8Q	folkstone grey A	+\$0
91	white A	+\$0

For veneer (W)

ET	clear on ash A	+\$0
EU	oak on ash A	+\$0
EV	walnut on ash A	+\$0

Step 10. Desk Understructure Finish

8Q	folkstone grey A	+\$0
91	white A	+\$0
G1	graphite A	+\$0

Step 11. Workbase Top Finish

8Q	folkstone grey A	+\$0
91	white A	+\$0
G1	graphite A	+\$0

Step 12. Workbase Panel Finish

For low-pressure laminate (M)

8Q	folkstone grey A	+\$0
91	white A	+\$0
G1	graphite A	+\$0

D-Desk Single *continued*

For veneer (W)

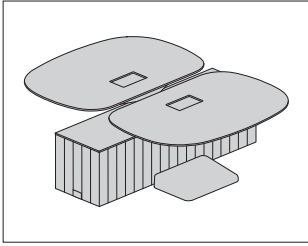
ET	clear on ash <input type="checkbox"/>	+\$0
EU	oak on ash <input type="checkbox"/>	+\$0
EV	walnut on ash <input type="checkbox"/>	+\$0

Step 13. Workbase Storage Option

AJS	adjustable shelf <input type="checkbox"/>	+\$0
------------	---	------

Step 14. Footrest Finish

G1	graphite <input type="checkbox"/>	+\$0
SG	slate grey <input type="checkbox"/>	+\$0



Product Information

Description

This D-desk double provides 2 individual work stations with enclosed storage. The desks are oriented parallel to the Workbase. The module is freestanding or can be connected end to end with other Locale® modules.

The Workbase has enclosed storage. It has 2" (51mm) leveling glides and contains 2 storage compartments, 1 accessible from the right side of each desk. Storage compartments each have an adjustable shelf and a removable bottom shelf for access to power and data raceway. Doors have a push latch. The grooved panel exterior minimizes the appearance of individual doors. The panels are available in laminate or veneer. The Workbase top is 1/2" (13mm) thick, available in laminate.

The Workbase is nonpowered. Modular power blocks, harnesses and receptacles must be ordered separately to power the unit and pass power to connecting modules. Hardwire options are available. A power pass-through cutout is on either end of the Workbase. Finished ends include a cutout cover.

Each desk surface is cantilevered off the Workbase, each supported by a column with outrigger supports at the floor. Outrigger supports have an ABS plastic cover which functions as a foot rest.

The desk is specified as fixed height at 29" (736mm) high, or height adjustable. The adjustable desk has electrical height adjustment with an included control lever that can be mounted on the left or right. Desk surface height range is 25" (635mm) to 49" (1244mm). Desk is 3/4" (19mm) thick and available in squared edge laminate or veneer, or thin edge Formcoat®. Desk surface has a cutout for user power components which must be ordered separately. Cable management trays are included. Tray finishes match desk understructure finishes. A through-mount hole with grommet cover is provided on the desk surface for monitor arm support.

Notes

Exposed end of Workbase must be finished. Unfinished ends have predrilled holes for connecting units together. Specify correct option based on Workbase orientation and number of modules connecting together. Connecting hardware included.

The wood grain for veneer Workbase panels is vertical.

For laminate (M) Workbase, interior finish matches exterior finish. For veneer (W) Workbase, interior finish matches Workbase top finish.

Finished end cutout covers for laminate (M) Workbases match Workbase finish. For veneer (W) Workbases, finished end cutout covers match Workbase top finish.

During installation, power and data cables are routed through the desk column from the Workbase to the cable management tray. Workbase panels in front of column are removable for access.

Recommend Flo® single-screen monitor arm support with Locale through surface mount attachment bracket (Y91171.LOC), ordered separately.

Monitor arms must be compatible with 3/4" (19mm) thick surfaces. Clamp mount arms cannot be mounted in center back of D-desk surface.

When specifying Workbase screen (BRWBS.), specify Workbase accessory cutout (S) to match.

For Workbases with locks, and for electrical access at the Workbase top, contact Options.

See Planning Guide for configurations and desk edge detail.

For laminate (L) desk top material, edge and grommet colors are predetermined:

Laminate—Edgeband Color—Monitor Hole Grommet Cover Color

Neutral Twill (LBF)—Sandstone (WL)—White (G1)

Sarum Twill (LBG)—Folkstone Grey (8Q)—Folkstone Grey (8Q)

Earthen Twill (LBH)—Medium Tone (MT)—Graphite (G2)

Graphite Twill (LBJ)—Medium Tone (MT)—Graphite (G2)

White Twill (LBQ)—White (G1)—White (G1)

Pewter Mesh (LBK)—Warm Grey Neutral (WN)—Graphite (G2)

Steel Mesh (LBL)—Slate Grey (SG)—Graphite (G2)

Crisp Linen (LBM)—Folkstone Grey (8Q)—Folkstone Grey (8Q)

Classic Linen (LBN)—Sandstone (WL)—White (G1)

Casual Linen (LBP)—Warm Grey Neutral (WN)—Graphite (G2)

Clear on Ash (LBA)—White (G1)—White (G1)

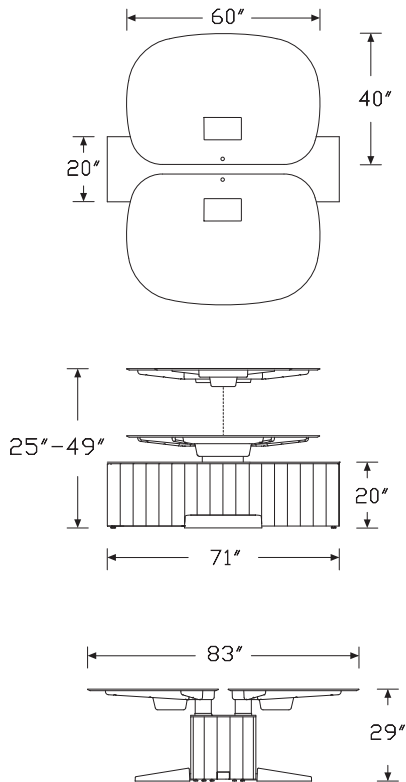
Oak on Ash (LBB)—Medium Tone (MT)—Graphite (G2)

Walnut on Ash (LBC)—Medium Tone (MT)—Graphite (G2)

Order these products separately:

- Power entry (BRE01. or BRE02.)
- Power block (BRE03.)
- Power duplex (BRE04.)
- Power jumper (BRE05.)
- Modular receptacle (BRE06.)
- Workbase screen (BRWBS.)
- Logic G1000 desktop power grommet (Y1425.C or Y1425.F) with plug end power cord option (A) or Logic G1200 nonpowered grommet pass thru (Y1420.V)

Dimensions



Specification Information

Step 1.

BRDD. A

Step 2. Adjustability

A adjustable A
F fixed height A

Step 3. Electrical Cutout Type

D desk electrical cutout A

Step 4. Desk Top Material Type

L laminate A
T formcoat® A
W veneer A

Step 5. Workbase Orientation

EE both ends finished - end/end A
OE one finished end - end/mid A
MM both ends unfinished - mid/mid A

Step 6. Workbase Accessory Cutout

N no cutout A
S workbase screen cutout A

Step 7. Workbase Panel Material

M low-pressure laminate A
W veneer A

Prices for Steps 1-7.

		LEENM	LEENW	LEESM	LEESW	LOENM	LOENW
BRDD.	A D	\$9875	10800	9875	10800	9765	10690
	F D	\$8001	8926	8001	8926	7891	8816

		LOESM	LOESW	LMMNM	LMMNW	LMMSM	LMMSW
BRDD.	A D	\$9765	10690	9685	10610	9685	10610
	F D	\$7891	8816	7811	8736	7811	8736

		TEENM	TEENW	TEESM	TEESW	TOENM	TOENW
BRDD.	A D	\$10115	11040	10115	11040	10005	10930
	F D	\$8241	9166	8241	9166	8131	9056

		TOESM	TOESW	TMMNM	TMMNW	TMMSM	TMMSW
BRDD.	A D	\$10005	10930	9925	10850	9925	10850
	F D	\$8131	9056	8051	8976	8051	8976

D-Desk Double *continued*

Locale® Desking

		WEENM	WEENW	WEESM	WEESW	WOENM	WOENW
BRDD.	A D	\$11525	12450	11525	12450	11415	12340
	F D	\$9651	10576	9651	10576	9541	10466

		WOESM	WOESW	WMMNM	WMMNW	WMMSM	WMMSW
BRDD.	A D	\$11415	12340	11335	12260	11335	12260
	F D	\$9541	10466	9461	10386	9461	10386

Step 8. Desk Top Finish

For laminate (L)

8Q	folkstone grey <input type="checkbox"/>	+\$0
91	white <input type="checkbox"/>	+\$0
LBA	clear on ash <input type="checkbox"/>	+\$0
LBB	oak on ash <input type="checkbox"/>	+\$0
LBC	walnut on ash <input type="checkbox"/>	+\$0
LBF	neutral twill <input type="checkbox"/>	+\$0
LBG	sarum twill <input type="checkbox"/>	+\$0
LBH	earthen twill <input type="checkbox"/>	+\$0
LBJ	graphite twill <input type="checkbox"/>	+\$0
LBK	pewter mesh <input type="checkbox"/>	+\$0
LBL	steel mesh <input type="checkbox"/>	+\$0
LBM	crisp linen <input type="checkbox"/>	+\$0
LBN	classic linen <input type="checkbox"/>	+\$0
LBP	casual linen <input type="checkbox"/>	+\$0
LBQ	white twill <input type="checkbox"/>	+\$0

For formcoat® (T)

8Q	folkstone grey <input type="checkbox"/>	+\$0
91	white <input type="checkbox"/>	+\$0

For veneer (W)

ET	clear on ash <input type="checkbox"/>	+\$0
EU	oak on ash <input type="checkbox"/>	+\$0
EV	walnut on ash <input type="checkbox"/>	+\$0

Step 9. Desk Understructure Finish

8Q	folkstone grey <input type="checkbox"/>	+\$0
91	white <input type="checkbox"/>	+\$0
G1	graphite <input type="checkbox"/>	+\$0

Step 10. Workbase Top Finish

8Q	folkstone grey <input type="checkbox"/>	+\$0
91	white <input type="checkbox"/>	+\$0
G1	graphite <input type="checkbox"/>	+\$0

Step 11. Workbase Panel Finish

For low-pressure laminate (M)

8Q	folkstone grey <input type="checkbox"/>	+\$0
91	white <input type="checkbox"/>	+\$0
G1	graphite <input type="checkbox"/>	+\$0

For veneer (W)

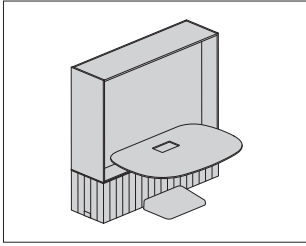
ET	clear on ash <input type="checkbox"/>	+\$0
EU	oak on ash <input type="checkbox"/>	+\$0
EV	walnut on ash <input type="checkbox"/>	+\$0

Step 12. Workbase Storage Option

AJS	adjustable shelf <input type="checkbox"/>	+\$0
------------	---	------

Step 13. Footrest Finish

G1	graphite <input type="checkbox"/>	+\$0
SG	slate grey <input type="checkbox"/>	+\$0



Product Information

Description

This D-desk single with full display is an individual work station with enclosed storage and display that can be accessed from both sides. The desk is oriented parallel to the Workbase. It is freestanding or can be connected end to end with other Locale® modules.

The Workbase has enclosed storage that can be accessed from both sides. It has 2" (51mm) leveling glides and contains 2 storage compartments, each with an adjustable shelf and a removable bottom shelf for access to power and data raceway. Doors have a push latch. The grooved panel exterior minimizes the appearance of individual doors. The panels are available in laminate or veneer. The Workbase top is 1/2" (13mm) thick, available in laminate.

The Workbase is nonpowered. Modular power blocks, harnesses and receptacles must be ordered separately to power the unit and pass power to connecting modules. Hardwire options are available. A power pass-through cutout is on either end of the Workbase. Finished ends include a cutout cover. An optional Workbase top power access cutout with square grommet is available opposite the desk column. This option provides power routing to inside the Workbase for components located opposite the desk.

The desk surface is cantilevered off the Workbase, supported by a column with outrigger supports at the floor. Outrigger supports have an ABS plastic cover which functions as a foot rest.

The desk is specified as fixed height at 29" (736mm) high, or height adjustable. The adjustable desk has electrical height adjustment with an included control lever that can be mounted on the left or right. Desk surface height range is 25" (635mm) to 49" (1244mm). Desk is 3/4" (19mm) thick and is available in squared edge laminate or veneer, or thin edge Formcoat®. Desk surface has a cutout for user power components which must be ordered separately. Cable management tray is included. Tray finish matches desk understructure finish. A through-mount hole with grommet cover is provided on the desk surface for monitor arm support.

The full display unit has a center dividing panel and can hold a tackboard on either side. The unit is available in laminate.

Notes

Mounting a monitor on the full display is not recommended and will interfere with height adjustability if mounted on the desk side.

Door swings can be specified to accommodate storage access direction. Choose the appropriate door swing based on desk orientation. See Planning Guide for more details.

Exposed end of Workbase must be finished. Unfinished ends have predrilled holes for connecting units together. Specify correct option based on Workbase orientation and number of modules connecting together. Left and right specification is defined from user's side of the Workbase. Connecting hardware included.

The wood grain for veneer Workbase panels is vertical.

For laminate (M) Workbase, interior finish matches exterior finish. For veneer (W) Workbase, interior finish matches the full display laminate finish.

Finished end cutout covers for laminate (M) Workbase match Workbase finish. For veneer (W) Workbases, finished end cutout covers match the full display laminate finish.

During installation, power and data cables are routed through the desk column from the Workbase to the cable management tray. Workbase panels in front of column are removable for access.

Recommend Flo® single-screen monitor arm support with Locale through surface mount attachment bracket (Y91171.LOC), ordered separately.

Monitor arms must be compatible with 3/4" (19mm) thick surfaces. Clamp mount arms cannot be mounted in center back of D-desk surface.

For Workbases with locks, contact Options.

See Planning Guide for configurations and desk edge detail.

For laminate (L) desk top material, edge and grommet colors are predetermined:

Laminate—Edgeband Color—Monitor Hole Grommet Cover Color

Neutral Twill (LBF)—Sandstone (WL)—White (G1)

Sarum Twill (LBG)—Folkstone Grey (8Q)—Folkstone Grey (8Q)

Earthen Twill (LBH)—Medium Tone (MT)—Graphite (G2)

Graphite Twill (LBJ)—Medium Tone (MT)—Graphite (G2)

White Twill (LBQ)—White (G1)—White (G1)

Pewter Mesh (LBK)—Warm Grey Neutral (WN)—Graphite (G2)

Steel Mesh (LBL)—Slate Grey (SG)—Graphite (G2)

Crisp Linen (LBM)—Folkstone Grey (8Q)—Folkstone Grey (8Q)

Classic Linen (LBN)—Sandstone (WL)—White (G1)

Casual Linen (LBP)—Warm Grey Neutral (WN)—Graphite (G2)

Clear on Ash (LBA)—White (G1)—White (G1)

Oak on Ash (LBB)—Medium Tone (MT)—Graphite (G2)

Walnut on Ash (LBC)—Medium Tone (MT)—Graphite (G2)

Order these products separately:

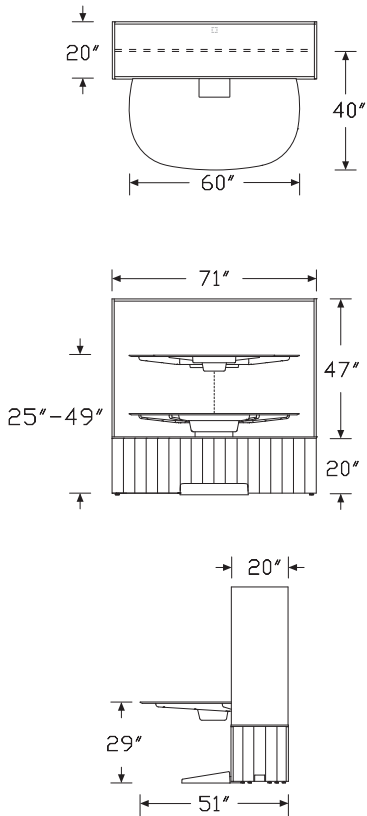
- Power entry (BRE01. or BRE02.)
- Power block (BRE03.)
- Power duplex (BRE04.)
- Power jumper (BRE05.)
- Modular receptacle (BRE06.)
- Display tackboard (BRTB.)
- Logic G1000 desktop power grommet (Y1425.C or Y1425.F) with plug end power cord option (A) or Logic G1200 nonpowered grommet pass thru (Y1420.V)

D-Desk Single with Full Display

continued

Locale® Desking

Dimensions



Specification Information

Step 1.

BRDSF. A

Step 2. Adjustability

A adjustable A

F fixed height A

Step 3. Electrical Cutout Type

D desk electrical cutout A

G desk top and workbase top electrical cutout A

Step 4. Desk Top Material Type

L laminate A

T formcoat® A

W veneer A

Step 5. Workbase Orientation

EE both ends finished - end/end A

EM left finished end - end/mid A

ME right finished end - mid/end A

MM both ends unfinished - mid/mid A

Step 6. Door Configuration

1 front doors A

2 back doors A

3 alternating doors A

Step 7. Workbase Panel Material

M low-pressure laminate A

W veneer A

Step 8. Upper Display Material

M low-pressure laminate A

Prices for Steps 1-8.

		LEE1MM	LEE1WM	LEE2MM	LEE2WM	LEE3MM	LEE3WM
BRDSF. A	D	\$8610	9530	8610	9530	8610	9530
	G	\$8660	9580	8660	9580	8660	9580
F	D	\$7673	8593	7673	8593	7673	8593
	G	\$7723	8643	7723	8643	7723	8643

		LEM1MM	LEM1WM	LEM2MM	LEM2WM	LEM3MM	LEM3WM
BRDSF. A	D	\$8500	9420	8500	9420	8500	9420
	G	\$8550	9470	8550	9470	8550	9470
F	D	\$7563	8483	7563	8483	7563	8483
	G	\$7613	8533	7613	8533	7613	8533

D-Desk Single with Full Display

continued

		LME1MM	LME1WM	LME2MM	LME2WM	LME3MM	LME3WM
BRDSF. A	D	\$8500	9420	8500	9420	8500	9420
	G	\$8550	9470	8550	9470	8550	9470
F	D	\$7563	8483	7563	8483	7563	8483
	G	\$7613	8533	7613	8533	7613	8533

		LMM1MM	LMM1WM	LMM2MM	LMM2WM	LMM3MM	LMM3WM
BRDSF. A	D	\$8420	9340	8420	9340	8420	9340
	G	\$8470	9390	8470	9390	8470	9390
F	D	\$7483	8403	7483	8403	7483	8403
	G	\$7533	8453	7533	8453	7533	8453

		TEE1MM	TEE1WM	TEE2MM	TEE2WM	TEE3MM	TEE3WM
BRDSF. A	D	\$8725	9650	8725	9650	8725	9650
	G	\$8775	9700	8775	9700	8775	9700
F	D	\$7788	8713	7788	8713	7788	8713
	G	\$7838	8763	7838	8763	7838	8763

		TEM1MM	TEM1WM	TEM2MM	TEM2WM	TEM3MM	TEM3WM
BRDSF. A	D	\$8615	9540	8615	9540	8615	9540
	G	\$8665	9590	8665	9590	8665	9590
F	D	\$7678	8603	7678	8603	7678	8603
	G	\$7728	8653	7728	8653	7728	8653

		TME1MM	TME1WM	TME2MM	TME2WM	TME3MM	TME3WM
BRDSF. A	D	\$8615	9540	8615	9540	8615	9540
	G	\$8665	9590	8665	9590	8665	9590
F	D	\$7678	8603	7678	8603	7678	8603
	G	\$7728	8653	7728	8653	7728	8653

		TMM1MM	TMM1WM	TMM2MM	TMM2WM	TMM3MM	TMM3WM
BRDSF. A	D	\$8535	9460	8535	9460	8535	9460
	G	\$8585	9510	8585	9510	8585	9510
F	D	\$7598	8523	7598	8523	7598	8523
	G	\$7648	8573	7648	8573	7648	8573

		WEE1MM	WEE1WM	WEE2MM	WEE2WM	WEE3MM	WEE3WM
BRDSF. A	D	\$9435	10355	9435	10355	9435	10355
	G	\$9485	10405	9485	10405	9485	10405
F	D	\$8498	9418	8498	9418	8498	9418
	G	\$8548	9468	8548	9468	8548	9468

		WEM1MM	WEM1WM	WEM2MM	WEM2WM	WEM3MM	WEM3WM
BRDSF. A	D	\$9325	10245	9325	10245	9325	10245
	G	\$9375	10295	9375	10295	9375	10295
F	D	\$8388	9308	8388	9308	8388	9308
	G	\$8438	9358	8438	9358	8438	9358

		WME1MM	WME1WM	WME2MM	WME2WM	WME3MM	WME3WM
BRDSF. A	D	\$9325	10245	9325	10245	9325	10245
	G	\$9375	10295	9375	10295	9375	10295
F	D	\$8388	9308	8388	9308	8388	9308
	G	\$8438	9358	8438	9358	8438	9358

		WMM1MM	WMM1WM	WMM2MM	WMM2WM	WMM3MM	WMM3WM
BRDSF. A	D	\$9245	10165	9245	10165	9245	10165
	G	\$9295	10215	9295	10215	9295	10215
F	D	\$8308	9228	8308	9228	8308	9228
	G	\$8358	9278	8358	9278	8358	9278

Step 9. Desk Top Finish

For laminate (L)

8Q	folkstone grey A	+\$0
91	white A	+\$0
LBA	clear on ash A	+\$0
LBB	oak on ash A	+\$0
LBC	walnut on ash A	+\$0
LBF	neutral twill A	+\$0
LBG	sarum twill A	+\$0
LBH	earthen twill A	+\$0
LBJ	graphite twill A	+\$0
LBK	pewter mesh A	+\$0
LBL	steel mesh A	+\$0
LBM	crisp linen A	+\$0
LBN	classic linen A	+\$0
LBP	casual linen A	+\$0
LBQ	white twill A	+\$0

For formcoat® (T)

8Q	folkstone grey A	+\$0
91	white A	+\$0

For veneer (W)

ET	clear on ash A	+\$0
EU	oak on ash A	+\$0
EV	walnut on ash A	+\$0

Step 10. Desk Understructure Finish

8Q	folkstone grey A	+\$0
91	white A	+\$0
G1	graphite A	+\$0

D-Desk Single with Full Display

continued

Locale® Desking

Step 11. Workbase Panel Finish

For low-pressure laminate (M)

8Q	folkstone grey <input type="checkbox"/>	+\$0
91	white <input type="checkbox"/>	+\$0
G1	graphite <input type="checkbox"/>	+\$0

For veneer (W)

ET	clear on ash <input type="checkbox"/>	+\$0
EU	oak on ash <input type="checkbox"/>	+\$0
EV	walnut on ash <input type="checkbox"/>	+\$0

Step 12. Workbase Storage Option

AJS	adjustable shelf <input type="checkbox"/>	+\$0
------------	---	------

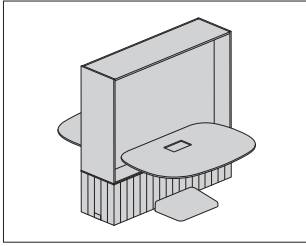
Step 13. Upper Display Finish

8Q	folkstone grey <input type="checkbox"/>	+\$0
91	white <input type="checkbox"/>	+\$0
G1	graphite <input type="checkbox"/>	+\$0

Step 14. Footrest Finish

G1	graphite <input type="checkbox"/>	+\$0
SG	slate grey <input type="checkbox"/>	+\$0

D-Desk Double with Full Display BRDDF.



Product Information

Description

This D-desk double with full display has 2 individual work stations with enclosed storage and display that can be accessed from both sides. The desks are oriented parallel to the Workbase. The module is freestanding or can be connected end to end with other Locale® modules.

The Workbase has enclosed storage that can be accessed from both sides. It has 2" (51mm) leveling glides and contains 2 storage compartments, 1 accessible from the right side of each desk. Storage compartments each have an adjustable shelf and a removable bottom shelf for access to power and data raceway. Doors have a push latch. The grooved panel exterior minimizes the appearance of individual doors. The panels are available in laminate or veneer. The Workbase top is 1/2" (13mm) thick, available in laminate.

The Workbase is nonpowered. Modular power blocks, harnesses and receptacles must be ordered separately to power the unit and pass power to connecting modules. Hardwire options are available. A power pass-through cutout is on either end of the Workbase. Finished ends include a cutout cover.

The desk surfaces are cantilevered off the Workbase, each supported by a column with outrigger supports at the floor. Outrigger supports have an ABS plastic cover which functions as a foot rest.

The desk is specified as fixed height at 29" (736mm) high, or height adjustable. The adjustable desks have electrical height adjustment with an included control lever that can be mounted on the left or right. Desk surface height range is 25" (635mm) to 49" (1244mm). Desk is 3/4" (19mm) thick and available in squared edge laminate or veneer, or thin edge Formcoat®. Desk surface has a cutout for user power components which must be ordered separately. Cable management trays are included. Tray finishes match desk understructure finishes. A through-mount hole with grommet cover is provided on the desk surface for monitor arm support.

The full display unit has a center dividing panel and can hold a tackboard on either side. The unit is available in laminate.

Notes

Mounting a monitor on the full display is not recommended and will interfere with height adjustability.

Exposed end of Workbase must be finished. Unfinished ends have predrilled holes for connecting units together. Specify correct option based on Workbase orientation and number of modules connecting together. Connecting hardware included.

The wood grain for veneer Workbase panels is vertical.

For laminate (M) Workbase, interior finish matches exterior finish. For veneer (W) Workbase, interior finish matches the full display laminate finish.

Finished end cutout covers for laminate (M) Workbase match Workbase finish. For veneer (W) Workbases, finished end cutout covers match the full display laminate finish.

During installation, power and data cables are routed through the desk column from the Workbase to the cable management tray. Workbase panels in front of column are removable for access.

Recommend Flo® single-screen monitor arm support with Locale through surface mount attachment bracket (Y91171.LOC), ordered separately.

Monitor arms must be compatible with 3/4" (19mm) thick surfaces. Clamp mount arms cannot be mounted in center back of D-desk surface.

For Workbases with locks, and for electrical access at the Workbase top, contact Options.

See Planning Guide for configurations and desk edge detail.

For laminate (L) desk top material, edge and grommet colors are predetermined:

Laminate—Edgeband Color—Monitor Hole Grommet Cover Color

Neutral Twill (LBF)—Sandstone (WL)—White (G1)

Sarum Twill (LBG)—Folkstone Grey (8Q)—Folkstone Grey (8Q)

Earthen Twill (LBH)—Medium Tone (MT)—Graphite (G2)

Graphite Twill (LBJ)—Medium Tone (MT)—Graphite (G2)

White Twill (LBQ)—White (G1)—White (G1)

Pewter Mesh (LBK)—Warm Grey Neutral (WN)—Graphite (G2)

Steel Mesh (LBL)—Slate Grey (SG)—Graphite (G2)

Crisp Linen (LBM)—Folkstone Grey (8Q)—Folkstone Grey (8Q)

Classic Linen (LBN)—Sandstone (WL)—White (G1)

Casual Linen (LBP)—Warm Grey Neutral (WN)—Graphite (G2)

Clear on Ash (LBA)—White (G1)—White (G1)

Oak on Ash (LBB)—Medium Tone (MT)—Graphite (G2)

Walnut on Ash (LBC)—Medium Tone (MT)—Graphite (G2)

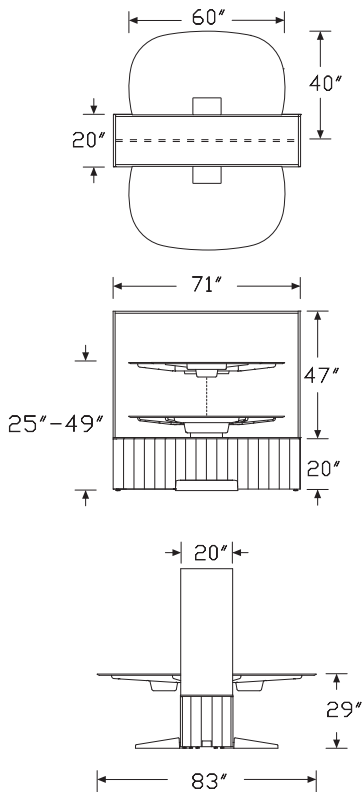
Order these products separately:

- Power entry (BRE01. or BRE02.)
- Power block (BRE03.)
- Power duplex (BRE04.)
- Power jumper (BRE05.)
- Modular receptacle (BRE06.)
- Display tackboard (BRTB.)
- Logic G1000 desktop power grommet (Y1425.C or Y1425.F) with plug end power cord option (A) or Logic G1200 nonpowered grommet pass thru (Y1420.V)

D-Desk Double with Full Display

continued

Dimensions



Specification Information

Step 1.

BRDDF. A

Step 2. Adjustability

A adjustable A

F fixed height A

Step 3. Electrical Cutout Type

D desk electrical cutout A

Step 4. Desk Top Material Type

L laminate A

T formcoat® A

W veneer A

Step 5. Workbase Orientation

EE both ends finished - end/end A

OE one finished end - end/mid A

MM both ends unfinished - mid/mid A

Step 6. Workbase Panel Material

M low-pressure laminate A

W veneer A

Step 7. Upper Display Material

M low-pressure laminate A

Prices for Steps 1-7.

		LEEMM	LEEWM	LOEMM	LOEWM	LMMMM	LMMWM
BRDDF.	A D	\$12235	13160	12125	13050	12045	12970
	F D	\$10361	11286	10251	11176	10171	11096
		TEEMM	TEEWM	TOEMM	TOEWM	TMMMM	TMMWM
BRDDF.	A D	\$12475	13400	12365	13290	12285	13210
	F D	\$10601	11526	10491	11416	10411	11336
		WEEMM	WEEWM	WOEMM	WOEWM	WMMMM	WMMWM
BRDDF.	A D	\$13885	14810	13775	14700	13695	14620
	F D	\$12011	12936	11901	12826	11821	12746

D-Desk Double with Full Display

continued

Step 8. Desk Top Finish

For laminate (L)

8Q	folkstone grey <input type="checkbox"/>	+\$0
91	white <input type="checkbox"/>	+\$0
LBA	clear on ash <input type="checkbox"/>	+\$0
LBB	oak on ash <input type="checkbox"/>	+\$0
LBC	walnut on ash <input type="checkbox"/>	+\$0
LBF	neutral twill <input type="checkbox"/>	+\$0
LBG	sarum twill <input type="checkbox"/>	+\$0
LBH	earthen twill <input type="checkbox"/>	+\$0
LBJ	graphite twill <input type="checkbox"/>	+\$0
LBK	pewter mesh <input type="checkbox"/>	+\$0
LBL	steel mesh <input type="checkbox"/>	+\$0
LBM	crisp linen <input type="checkbox"/>	+\$0
LBN	classic linen <input type="checkbox"/>	+\$0
LBP	casual linen <input type="checkbox"/>	+\$0
LBQ	white twill <input type="checkbox"/>	+\$0

For formcoat® (T)

8Q	folkstone grey <input type="checkbox"/>	+\$0
91	white <input type="checkbox"/>	+\$0

For veneer (W)

ET	clear on ash <input type="checkbox"/>	+\$0
EU	oak on ash <input type="checkbox"/>	+\$0
EV	walnut on ash <input type="checkbox"/>	+\$0

Step 9. Desk Understructure Finish

8Q	folkstone grey <input type="checkbox"/>	+\$0
91	white <input type="checkbox"/>	+\$0
G1	graphite <input type="checkbox"/>	+\$0

Step 10. Workbase Panel Finish

For low-pressure laminate (M)

8Q	folkstone grey <input type="checkbox"/>	+\$0
91	white <input type="checkbox"/>	+\$0
G1	graphite <input type="checkbox"/>	+\$0

For veneer (W)

ET	clear on ash <input type="checkbox"/>	+\$0
EU	oak on ash <input type="checkbox"/>	+\$0
EV	walnut on ash <input type="checkbox"/>	+\$0

Step 11. Workbase Storage Option

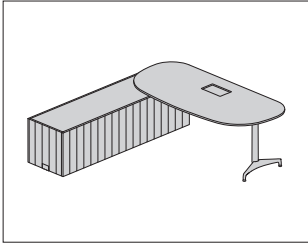
AJS	adjustable shelf <input type="checkbox"/>	+\$0
------------	---	------

Step 12. Upper Display Finish

8Q	folkstone grey <input type="checkbox"/>	+\$0
91	white <input type="checkbox"/>	+\$0
G1	graphite <input type="checkbox"/>	+\$0

Step 13. Footrest Finish

G1	graphite <input type="checkbox"/>	+\$0
SG	slate grey <input type="checkbox"/>	+\$0



Product Information

Description

This L-desk single is an individual work station with enclosed storage. The desk is oriented perpendicular to the Workbase. It is freestanding or can be connected end to end with other Locale® modules. The Workbase has enclosed storage that can be accessed from both sides. It has 2" (51mm) leveling glides and contains 2 storage compartments, each with an adjustable shelf and a removable bottom shelf for access to power and data raceway. Doors have a push latch. The grooved panel exterior minimizes the appearance of individual doors. The panels are available in laminate or veneer. The Workbase top is 1/2" (13mm) thick, available in laminate.

The Workbase is nonpowered. Modular power blocks, harnesses and receptacles must be ordered separately to power the unit and pass power to connecting modules. Hardwire options are available. A power pass-through cutout is on either end of the Workbase. Finished ends include a cutout cover. An optional Workbase top power access cutout with square grommet is available opposite the desk column. This option provides power routing to inside the Workbase for components located opposite the desk.

The desk surface is supported by a column, specified at either end of the Workbase. It has a single outboard leg.

The desk is specified as fixed height at 29" (736mm) high, or height adjustable. The adjustable desk has electrical height adjustment with an included control lever that can be mounted on the left or right. Desk surface height range is 25" (635mm) to 49" (1244mm). Desk is 3/4" (19mm) thick and available in squared edge laminate or veneer, or thin edge Formcoat®. Desk surface has a cutout for user power components which must be ordered separately. Cable management tray included. Tray finish matches desk understructure finish. A through-mount hole with grommet cover is provided on the desk surface for monitor arm support.

Notes

Exposed end of Workbase must be finished. Unfinished ends have predrilled holes for connecting units together. Specify correct option based on Workbase orientation and number of modules connecting together. Specify desk and finished ends based on the user's side desk located on the left or right of the Workbase. The dimensional illustration below shows a left oriented desk. Connecting hardware included.

Door swings can be specified to accommodate storage access direction. Choose the appropriate door swing based on desk orientation. See Planning Guide for more details.

The wood grain for veneer Workbase panels is vertical.

For laminate (M) Workbases, the interior finish matches exterior finish. For veneer (W) Workbases, the interior finish matches the Workbase top finish.

Finished end cutout covers for laminate (M) Workbases match the Workbase finish. For veneer (W) Workbases, finished end cutout covers match the Workbase top finish.

During installation, power and data cables are routed through the desk column from the Workbase to the cable management tray. Workbase panels in front of column are removable for access.

Recommend Flo® single-screen monitor arm support with Locale through surface mount attachment bracket (Y91171.LOC), ordered separately.

Monitor arms must be compatible with 3/4" (19mm) thick surfaces.

When specifying Workbase screen (BRWS.), specify Workbase accessory cutout (S) to match.

For Workbases with locks, contact Options.

See Planning Guide for configurations and desk edge detail.

For laminate (L) desk top material, edge and grommet colors are predetermined:

Laminate—Edgeband Color—Monitor Hole Grommet Cover Color
Neutral Twill (LBF)—Sandstone (WL)—White (G1)

Sarum Twill (LBG)—Folkstone Grey (8Q)—Folkstone Grey (8Q)

Earthen Twill (LBH)—Medium Tone (MT)—Graphite (G2)

Graphite Twill (LBJ)—Medium Tone (MT)—Graphite (G2)

White Twill (LBQ)—White (G1)—White (G1)

Pewter Mesh (LBK)—Warm Grey Neutral (WN)—Graphite (G2)

Steel Mesh (LBL)—Slate Grey (SG)—Graphite (G2)

Crisp Linen (LBM)—Folkstone Grey (8Q)—Folkstone Grey (8Q)

Classic Linen (LBN)—Sandstone (WL)—White (G1)

Casual Linen (LBP)—Warm Grey Neutral (WN)—Graphite (G2)

Clear on Ash (LBA)—White (G1)—White (G1)

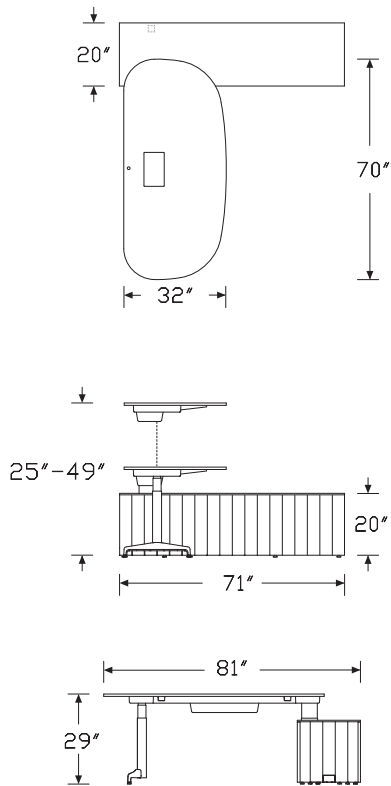
Oak on Ash (LBB)—Medium Tone (MT)—Graphite (G2)

Walnut on Ash (LBC)—Medium Tone (MT)—Graphite (G2)

Order these products separately:

- Power entry (BRE01. or BRE02.)
- Power block (BRE03.)
- Power duplex (BRE04.)
- Power jumper (BRE05.)
- Modular receptacle (BRE06.)
- Workbase screen (BRWS.)
- L-desk screen (BRLDS.)
- Bench cushion (BRBC.)
- Logic G1000 desktop power grommet (Y1425.C or Y1425.F) with plug end power cord option (A) or Logic G1200 nonpowered grommet pass thru (Y1420.V)

Dimensions



Specification Information

Step 1.

BRLS. A

Step 2. Position

L left A

R right A

Step 3. Adjustability

A adjustable A

F fixed height A

Step 4. Electrical Cutout Type

D desk electrical cutout A

G desk top and workbase top electrical cutout A

Step 5. Desk Top Material Type

L laminate A

T formcoat® A

W veneer A

Step 6. Workbase Orientation

EE both ends finished - end/end A

EM left finished end - end/mid A

ME right finished end - mid/end A

MM both ends unfinished - mid/mid A

Step 7. Workbase Accessory Cutout

N no cutout A

S workbase screen cutout A

Step 8. Door Configuration

1 front doors A

3 alternating doors A

Step 9. Workbase Panel Material

M low-pressure laminate A

W veneer A

Prices for Steps 1-9.

			DLEEN1M	DLEEN1W	DLEEN3M	DLEEN3W	DLEES1M	DLEES1W
BRLS.	L	A	\$6595	7520	6595	7520	6595	7520
		F	\$5502	6427	5502	6427	5502	6427
	R	A	\$6595	7520	6595	7520	6595	7520
		F	\$5502	6427	5502	6427	5502	6427

			DLEES3M	DLEES3W	DLEMN1M	DLEMN1W	DLEMN3M	DLEMN3W
BRLS.	L	A	\$6595	7520	6485	7410	6485	7410
		F	\$5502	6427	5392	6317	5392	6317
	R	A	\$6595	7520	6485	7410	6485	7410
		F	\$5502	6427	5392	6317	5392	6317

			DLEMS1M	DLEMS1W	DLEMS3M	DLEMS3W	DLMEN1M	DLMEN1W
BRLS.	L	A	\$6485	7410	6485	7410	6485	7410
		F	\$5392	6317	5392	6317	5392	6317
	R	A	\$6485	7410	6485	7410	6485	7410
		F	\$5392	6317	5392	6317	5392	6317

			DLMEN3M	DLMEN3W	DLMES1M	DLMES1W	DLMES3M	DLMES3W
BRLS.	L	A	\$6485	7410	6485	7410	6485	7410
		F	\$5392	6317	5392	6317	5392	6317
	R	A	\$6485	7410	6485	7410	6485	7410
		F	\$5392	6317	5392	6317	5392	6317

			DLMMN1M	DLMMN1W	DLMMN3M	DLMMN3W	DLMS1M	DLMS1W
BRLS.	L	A	\$6405	7330	6405	7330	6405	7330
		F	\$5312	6237	5312	6237	5312	6237
	R	A	\$6405	7330	6405	7330	6405	7330
		F	\$5312	6237	5312	6237	5312	6237

			DLMS3M	DLMS3W	DTEEN1M	DTEEN1W	DTEEN3M	DTEEN3W
BRLS.	L	A	\$6405	7330	6715	7640	6715	7640
		F	\$5312	6237	5622	6547	5622	6547
	R	A	\$6405	7330	6715	7640	6715	7640
		F	\$5312	6237	5622	6547	5622	6547

			DTEES1M	DTEES1W	DTEES3M	DTEES3W	DTEMN1M	DTEMN1W
BRLS.	L	A	\$6715	7640	6715	7640	6605	7530
		F	\$5622	6547	5622	6547	5512	6437
	R	A	\$6715	7640	6715	7640	6605	7530
		F	\$5622	6547	5622	6547	5512	6437

			DTEMN3M	DTEMN3W	DTEMS1M	DTEMS1W	DTEMS3M	DTEMS3W
BRLS.	L	A	\$6605	7530	6605	7530	6605	7530
		F	\$5512	6437	5512	6437	5512	6437
	R	A	\$6605	7530	6605	7530	6605	7530
		F	\$5512	6437	5512	6437	5512	6437

			DTMEN1M	DTMEN1W	DTMEN3M	DTMEN3W	DTMES1M	DTMES1W
BRLS.	L	A	\$6605	7530	6605	7530	6605	7530
		F	\$5512	6437	5512	6437	5512	6437
	R	A	\$6605	7530	6605	7530	6605	7530
		F	\$5512	6437	5512	6437	5512	6437

			DTMES3M	DTMES3W	DTMMN1M	DTMMN1W	DTMMN3M	DTMMN3W
BRLS.	L	A	\$6605	7530	6525	7450	6525	7450
		F	\$5512	6437	5432	6357	5432	6357
	R	A	\$6605	7530	6525	7450	6525	7450
		F	\$5512	6437	5432	6357	5432	6357

			DTMS1M	DTMS1W	DTMS3M	DTMS3W	DWEEN1M	DWEEN1W
BRLS.	L	A	\$6525	7450	6525	7450	7510	8435
		F	\$5432	6357	5432	6357	6417	7342
	R	A	\$6525	7450	6525	7450	7510	8435
		F	\$5432	6357	5432	6357	6417	7342

			DWEEN3M	DWEEN3W	DWEES1M	DWEES1W	DWEES3M	DWEES3W
BRLS.	L	A	\$7510	8435	7510	8435	7510	8435
		F	\$6417	7342	6417	7342	6417	7342
	R	A	\$7510	8435	7510	8435	7510	8435
		F	\$6417	7342	6417	7342	6417	7342

			DWEMN1M	DWEMN1W	DWEMN3M	DWEMN3W	DWEMS1M	DWEMS1W
BRLS.	L	A	\$7400	8325	7400	8325	7400	8325
		F	\$6307	7232	6307	7232	6307	7232
	R	A	\$7400	8325	7400	8325	7400	8325
		F	\$6307	7232	6307	7232	6307	7232

			DWEMS3M	DWEMS3W	DWMEN1M	DWMEN1W	DWMEN3M	DWMEN3W
BRLS.	L	A	\$7400	8325	7400	8325	7400	8325
		F	\$6307	7232	6307	7232	6307	7232
	R	A	\$7400	8325	7400	8325	7400	8325
		F	\$6307	7232	6307	7232	6307	7232

			DWMES1M	DWMES1W	DWMES3M	DWMES3W	DWMMN1M	DWMMN1W
BRLS.	L	A	\$7400	8325	7400	8325	7320	8245
		F	\$6307	7232	6307	7232	6227	7152
	R	A	\$7400	8325	7400	8325	7320	8245
		F	\$6307	7232	6307	7232	6227	7152

			DWMMN3M	DWMMN3W	DWMS1M	DWMS1W	DWMS3M	DWMS3W
BRLS.	L	A	\$7320	8245	7320	8245	7320	8245
		F	\$6227	7152	6227	7152	6227	7152
	R	A	\$7320	8245	7320	8245	7320	8245
		F	\$6227	7152	6227	7152	6227	7152

			GLEEN1M	GLEEN1W	GLEEN3M	GLEEN3W	GLEES1M	GLEES1W
BRLS.	L	A	\$6645	7570	6645	7570	6645	7570
		F	\$5552	6477	5552	6477	5552	6477
	R	A	\$6645	7570	6645	7570	6645	7570
		F	\$5552	6477	5552	6477	5552	6477

		GLEES3M	GLEES3W	GLEMN1M	GLEMN1W	GLEMN3M	GLEMN3W
BRLS. L	A	\$6645	7570	6535	7460	6535	7460
	F	\$5552	6477	5442	6367	5442	6367
R	A	\$6645	7570	6535	7460	6535	7460
	F	\$5552	6477	5442	6367	5442	6367

		GLEMS1M	GLEMS1W	GLEMS3M	GLEMS3W	GLMEN1M	GLMEN1W
BRLS. L	A	\$6535	7460	6535	7460	6535	7460
	F	\$5442	6367	5442	6367	5442	6367
R	A	\$6535	7460	6535	7460	6535	7460
	F	\$5442	6367	5442	6367	5442	6367

		GLMEN3M	GLMEN3W	GLMES1M	GLMES1W	GLMES3M	GLMES3W
BRLS. L	A	\$6535	7460	6535	7460	6535	7460
	F	\$5442	6367	5442	6367	5442	6367
R	A	\$6535	7460	6535	7460	6535	7460
	F	\$5442	6367	5442	6367	5442	6367

		GLMMN1M	GLMMN1W	GLMMN3M	GLMMN3W	GLMMS1M	GLMMS1W
BRLS. L	A	\$6455	7380	6455	7380	6455	7380
	F	\$5362	6287	5362	6287	5362	6287
R	A	\$6455	7380	6455	7380	6455	7380
	F	\$5362	6287	5362	6287	5362	6287

		GLMMS3M	GLMMS3W	GTEEN1M	GTEEN1W	GTEEN3M	GTEEN3W
BRLS. L	A	\$6455	7380	6765	7690	6765	7690
	F	\$5362	6287	5672	6597	5672	6597
R	A	\$6455	7380	6765	7690	6765	7690
	F	\$5362	6287	5672	6597	5672	6597

		GTEES1M	GTEES1W	GTEES3M	GTEES3W	GTEMN1M	GTEMN1W
BRLS. L	A	\$6765	7690	6765	7690	6655	7580
	F	\$5672	6597	5672	6597	5562	6487
R	A	\$6765	7690	6765	7690	6655	7580
	F	\$5672	6597	5672	6597	5562	6487

		GTEMN3M	GTEMN3W	GTEMS1M	GTEMS1W	GTEMS3M	GTEMS3W
BRLS. L	A	\$6655	7580	6655	7580	6655	7580
	F	\$5562	6487	5562	6487	5562	6487
R	A	\$6655	7580	6655	7580	6655	7580
	F	\$5562	6487	5562	6487	5562	6487

		GTMEN1M	GTMEN1W	GTMEN3M	GTMEN3W	GTMES1M	GTMES1W
BRLS. L	A	\$6655	7580	6655	7580	6655	7580
	F	\$5562	6487	5562	6487	5562	6487
R	A	\$6655	7580	6655	7580	6655	7580
	F	\$5562	6487	5562	6487	5562	6487

		GTMES3M	GTMES3W	GTMMN1M	GTMMN1W	GTMMN3M	GTMMN3W
BRLS. L	A	\$6655	7580	6575	7500	6575	7500
	F	\$5562	6487	5482	6407	5482	6407
R	A	\$6655	7580	6575	7500	6575	7500
	F	\$5562	6487	5482	6407	5482	6407

		GTMMS1M	GTMMS1W	GTMMS3M	GTMMS3W	GWEEN1M	GWEEN1W
BRLS. L	A	\$6575	7500	6575	7500	7560	8485
	F	\$5482	6407	5482	6407	6467	7392
R	A	\$6575	7500	6575	7500	7560	8485
	F	\$5482	6407	5482	6407	6467	7392

		GWEEN3M	GWEEN3W	GWEES1M	GWEES1W	GWEES3M	GWEES3W
BRLS. L	A	\$7560	8485	7560	8485	7560	8485
	F	\$6467	7392	6467	7392	6467	7392
R	A	\$7560	8485	7560	8485	7560	8485
	F	\$6467	7392	6467	7392	6467	7392

		GWEMN1M	GWEMN1W	GWEMN3M	GWEMN3W	GWEMS1M	GWEMS1W
BRLS. L	A	\$7450	8375	7450	8375	7450	8375
	F	\$6357	7282	6357	7282	6357	7282
R	A	\$7450	8375	7450	8375	7450	8375
	F	\$6357	7282	6357	7282	6357	7282

		GWEMS3M	GWEMS3W	GWEMN1M	GWEMN1W	GWEMN3M	GWEMN3W
BRLS. L	A	\$7450	8375	7450	8375	7450	8375
	F	\$6357	7282	6357	7282	6357	7282
R	A	\$7450	8375	7450	8375	7450	8375
	F	\$6357	7282	6357	7282	6357	7282

		GWEMS1M	GWEMS1W	GWMS3M	GWMS3W	GWMMN1M	GWMMN1W
BRLS. L	A	\$7450	8375	7450	8375	7370	8295
	F	\$6357	7282	6357	7282	6277	7202
R	A	\$7450	8375	7450	8375	7370	8295
	F	\$6357	7282	6357	7282	6277	7202

		GWMMN3M	GWMMN3W	GWMS1M	GWMS1W	GWMS3M	GWMS3W
BRLS. L	A	\$7370	8295	7370	8295	7370	8295
	F	\$6277	7202	6277	7202	6277	7202
R	A	\$7370	8295	7370	8295	7370	8295
	F	\$6277	7202	6277	7202	6277	7202

Step 10. Desk Top Finish

For laminate (L)

8Q	folkstone grey <input type="checkbox"/>	+\$0
91	white <input type="checkbox"/>	+\$0
LBA	clear on ash <input type="checkbox"/>	+\$0
LBB	oak on ash <input type="checkbox"/>	+\$0
LBC	walnut on ash <input type="checkbox"/>	+\$0
LBF	neutral twill <input type="checkbox"/>	+\$0
LBG	sarum twill <input type="checkbox"/>	+\$0
LBH	earthen twill <input type="checkbox"/>	+\$0
LBJ	graphite twill <input type="checkbox"/>	+\$0
LBK	pewter mesh <input type="checkbox"/>	+\$0
LBL	steel mesh <input type="checkbox"/>	+\$0
LBM	crisp linen <input type="checkbox"/>	+\$0
LBN	classic linen <input type="checkbox"/>	+\$0
LBP	casual linen <input type="checkbox"/>	+\$0
LBQ	white twill <input type="checkbox"/>	+\$0

For formcoat® (T)

8Q	folkstone grey <input type="checkbox"/>	+\$0
91	white <input type="checkbox"/>	+\$0

For veneer (W)

ET	clear on ash <input type="checkbox"/>	+\$0
EU	oak on ash <input type="checkbox"/>	+\$0
EV	walnut on ash <input type="checkbox"/>	+\$0

Step 11. Desk Understructure Finish

8Q	folkstone grey <input type="checkbox"/>	+\$0
91	white <input type="checkbox"/>	+\$0
G1	graphite <input type="checkbox"/>	+\$0

Step 12. Workbase Top Finish

8Q	folkstone grey <input type="checkbox"/>	+\$0
91	white <input type="checkbox"/>	+\$0
G1	graphite <input type="checkbox"/>	+\$0

Step 13. Workbase Panel Finish

For low-pressure laminate (M)

8Q	folkstone grey <input type="checkbox"/>	+\$0
91	white <input type="checkbox"/>	+\$0
G1	graphite <input type="checkbox"/>	+\$0

For veneer (W)

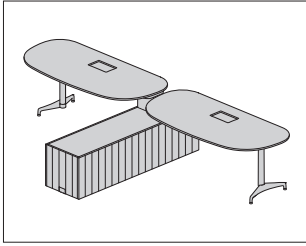
ET	clear on ash <input type="checkbox"/>	+\$0
EU	oak on ash <input type="checkbox"/>	+\$0
EV	walnut on ash <input type="checkbox"/>	+\$0

Step 14. Workbase Storage Option

AJS	adjustable shelf <input type="checkbox"/>	+\$0
------------	---	------

L-Desk Double

BRLD.



Product Information

Description

This L-desk double provides 2 individual work stations with enclosed storage. The desks are oriented perpendicular to the Workbase. The unit is freestanding or can be connected end to end with other Locale® modules.

The Workbase has enclosed storage that can be accessed from both sides. It has 2" (51mm) leveling glides and contains 2 storage compartments, 1 accessible by each user. Each storage compartment has an adjustable shelf and a removable bottom shelf for access to power and data raceway. Doors have a push latch. The grooved panel exterior minimizes the appearance of individual doors. The panels are available in laminate or veneer. The Workbase top is 1/2" (13mm) thick, available in laminate.

The Workbase is nonpowered. Modular power blocks, harnesses and receptacles must be ordered separately to power the unit and pass power to connecting modules. Hardwire options are available. A power pass-through cutout is on either end of the Workbase. Finished ends include a cutout cover.

The desk surface is supported by a column, specified at either end of the Workbase. It has a single outboard leg.

The desk is specified as fixed height at 29" (736mm) high, or height adjustable. The adjustable desk has electrical height adjustment with an included control lever that can be mounted on the left or right. Desk surface height range is 25" (635mm) to 49" (1244mm). Desk is 3/4" (19mm) thick and available in squared edge laminate or veneer, or thin edge Formcoat®. Desk surface has a cutout for user power components which must be ordered separately. Cable management trays are included. Tray finishes match desk understructure finish. A through-mount hole with grommet cover is provided on the desk surface for monitor arm support.

Notes

Exposed end of Workbase must be finished. Unfinished ends have predrilled holes for connecting units together. Specify correct option based on Workbase orientation and number of modules connecting together. Connecting hardware included.

The wood grain for veneer Workbase panels is vertical.

For laminate (M) Workbase, interior finish matches exterior finish. For veneer (W) Workbase, interior finish matches the Workbase top finish.

Finished end cutout covers for laminate (M) Workbase match the Workbase finish. For veneer (W) Workbase, finished end cutout covers match the Workbase top finish.

During installation, power and data cables are routed through the desk column from the Workbase to the cable management tray. Workbase panels in front of column are removable for access.

Recommend Flo® single-screen monitor arm support with Locale through surface mount attachment bracket (Y91171.LOC), ordered separately.

Monitor arms must be compatible with 3/4" (19mm) thick surfaces.

When specifying Workbase screen (BRWBS.), specify Workbase accessory cutout (S) to match.

For Workbases with locks, and for electrical access at the Workbase top, contact Options.

See Planning Guide for configurations and desk edge detail.

For laminate (L) desk top material, edge and grommet colors are predetermined:

Laminate—Edgeband Color—Monitor Hole Grommet Cover Color

Neutral Twill (LBF)—Sandstone (WL)—White (G1)

Sarum Twill (LBG)—Folkstone Grey (8Q)—Folkstone Grey (8Q)

Earthen Twill (LBH)—Medium Tone (MT)—Graphite (G2)

Graphite Twill (LBJ)—Medium Tone (MT)—Graphite (G2)

White Twill (LBQ)—White (G1)—White (G1)

Pewter Mesh (LBK)—Warm Grey Neutral (WN)—Graphite (G2)

Steel Mesh (LBL)—Slate Grey (SG)—Graphite (G2)

Crisp Linen (LBM)—Folkstone Grey (8Q)—Folkstone Grey (8Q)

Classic Linen (LBN)—Sandstone (WL)—White (G1)

Casual Linen (LBP)—Warm Grey Neutral (WN)—Graphite (G2)

Clear on Ash (LBA)—White (G1)—White (G1)

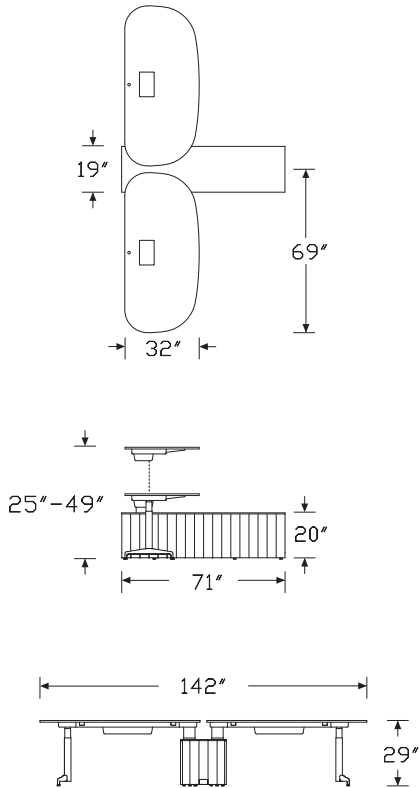
Oak on Ash (LBB)—Medium Tone (MT)—Graphite (G2)

Walnut on Ash (LBC)—Medium Tone (MT)—Graphite (G2)

Order these products separately:

- Power entry (BRE01. or BRE02.)
- Power block (BRE03.)
- Power duplex (BRE04.)
- Power jumper (BRE05.)
- Modular receptacle (BRE06.)
- Workbase screen (BRWBS.)
- L-desk screen (BRLDS.)
- Bench cushion (BRBC.)
- Logic G1000 desktop power grommet (Y1425.C or Y1425.F) with plug end power cord option (A) or Logic G1200 nonpowered grommet pass thru (Y1420.V)

Dimensions



Specification Information

Step 1.

BRLD. A

Step 2. Adjustability

A adjustable A

F fixed height A

Step 3. Electrical Cutout Type

D desk electrical cutout A

Step 4. Desk Top Material Type

L laminate A

T formcoat® A

W veneer A

Step 5. Workbase Orientation

EE both ends finished - end/end A

DM desk end finished - end/mid A

ED opposite desk end finished - mid/end A

MM both ends unfinished - mid/mid A

Step 6. Workbase Accessory Cutout

N no cutout A

S workbase screen cutout A

Step 7. Workbase Panel Material

M low-pressure laminate A

W veneer A

Prices for Steps 1-7.

			LEENM	LEENW	LEESM	LEESW	LDMNM	LDMNW
BRLD.	A	D	\$10410	11330	10410	11330	10300	11220
	F	D	\$8224	9144	8224	9144	8114	9034

			LDMSM	LDMSW	LEDNM	LEDNW	LEDSM	LEDNW
BRLD.	A	D	\$10300	11220	10300	11220	10300	11220
	F	D	\$8114	9034	8114	9034	8114	9034

			LMMNM	LMMNW	LMMSM	LMMSW	TEENM	TEENW
BRLD.	A	D	\$10220	11140	10220	11140	10650	11570
	F	D	\$8034	8954	8034	8954	8464	9384

			TEESM	TEESW	TDMNM	TDMNW	TDSM	TDSW
BRLD.	A	D	\$10650	11570	10540	11460	10540	11460
	F	D	\$8464	9384	8354	9274	8354	9274

		TEDNM	TEDNW	TEDSM	TEDSW	TMMNM	TMMNW
BRLD.	A D	\$10540	11460	10540	11460	10460	11380
	F D	\$8354	9274	8354	9274	8274	9194

		TMMSM	TMMSW	WEENM	WEENW	WEESM	WEESW
BRLD.	A D	\$10460	11380	12240	13160	12240	13160
	F D	\$8274	9194	10054	10974	10054	10974

		WDMNM	WDMNW	WDMSM	WDMSW	WEDNM	WEDNW
BRLD.	A D	\$12130	13050	12130	13050	12130	13050
	F D	\$9944	10864	9944	10864	9944	10864

		WEDSM	WEDSW	WMMNM	WMMNW	WMMSM	WMMSW
BRLD.	A D	\$12130	13050	12050	12970	12050	12970
	F D	\$9944	10864	9864	10784	9864	10784

Step 8. Desk Top Finish

For laminate (L)

8Q	folkstone grey <input type="checkbox"/>	+\$0
91	white <input type="checkbox"/>	+\$0
LBA	clear on ash <input type="checkbox"/>	+\$0
LBB	oak on ash <input type="checkbox"/>	+\$0
LBC	walnut on ash <input type="checkbox"/>	+\$0
LBF	neutral twill <input type="checkbox"/>	+\$0
LBG	sarum twill <input type="checkbox"/>	+\$0
LBH	earthen twill <input type="checkbox"/>	+\$0
LBJ	graphite twill <input type="checkbox"/>	+\$0
LBK	pewter mesh <input type="checkbox"/>	+\$0
LBL	steel mesh <input type="checkbox"/>	+\$0
LBM	crisp linen <input type="checkbox"/>	+\$0
LBN	classic linen <input type="checkbox"/>	+\$0
LBP	casual linen <input type="checkbox"/>	+\$0
LBQ	white twill <input type="checkbox"/>	+\$0

For formcoat® (T)

8Q	folkstone grey <input type="checkbox"/>	+\$0
91	white <input type="checkbox"/>	+\$0

For veneer (W)

ET	clear on ash <input type="checkbox"/>	+\$0
EU	oak on ash <input type="checkbox"/>	+\$0
EV	walnut on ash <input type="checkbox"/>	+\$0

Step 9. Desk Understructure Finish

8Q	folkstone grey <input type="checkbox"/>	+\$0
91	white <input type="checkbox"/>	+\$0
G1	graphite <input type="checkbox"/>	+\$0

Step 10. Workbase Top Finish

8Q	folkstone grey <input type="checkbox"/>	+\$0
91	white <input type="checkbox"/>	+\$0
G1	graphite <input type="checkbox"/>	+\$0

Step 11. Workbase Panel Finish

For low-pressure laminate (M)

8Q	folkstone grey <input type="checkbox"/>	+\$0
91	white <input type="checkbox"/>	+\$0
G1	graphite <input type="checkbox"/>	+\$0

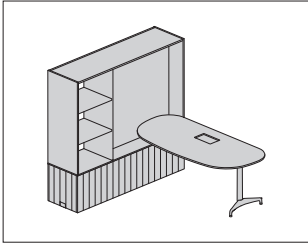
For veneer (W)

ET	clear on ash <input type="checkbox"/>	+\$0
EU	oak on ash <input type="checkbox"/>	+\$0
EV	walnut on ash <input type="checkbox"/>	+\$0

Step 12. Workbase Storage Option

AJS	adjustable shelf <input type="checkbox"/>	+\$0
------------	---	------

L-Desk Single with Partial Display BRLSP.



Product Information

Description

This L-desk single with partial display is an individual work station with both open and enclosed storage and display that can be accessed from both sides. The desk is oriented perpendicular to the Workbase. It is freestanding or can be connected end to end with other Locale® modules.

The Workbase has enclosed storage that can be accessed from both sides. It has 2" (51mm) leveling glides and contains 2 storage compartments, each with an adjustable shelf and a removable bottom shelf for access to power and data raceway. Doors have a push latch. The grooved panel exterior minimizes the appearance of individual doors. The panels are available in laminate or veneer. The Workbase top is 1/2" (13mm) thick, available in laminate.

The Workbase is nonpowered. Modular power blocks, harnesses and receptacles must be ordered separately to power the unit and pass power to connecting modules. Hardwire options are available. A power pass-through cutout is on either end of the Workbase. Finished ends include a cutout cover. An optional Workbase top power access cutout with square grommet is available opposite the desk column. This option provides power routing to inside the Workbase for components located opposite the desk.

The desk surface is supported by a column, specified at either end of the Workbase. It has a single outboard leg.

The desk is specified as fixed height at 29" (736mm) high, or height adjustable. The adjustable desk has electrical height adjustment with an included control lever that can be mounted on the left or right. Desk surface height range is 25" (635mm) to 49" (1244mm). Desk is 3/4" (19mm) thick and available in squared edge laminate or veneer, or thin edge Formcoat®. Desk surface has a cutout for user power components which must be ordered separately. Cable management tray included. Tray finish matches desk understructure finish. A through-mount hole with grommet cover is provided on the desk surface for monitor arm support.

The partial display unit is divided into 2 vertical sections and is handed with the display oriented on the desk end of the Workbase. The large display section has a center dividing panel and can hold a tackboard on either side. The smaller section has 3 fixed open shelves. The unit is available in laminate.

Notes

Mounting a monitor on the partial display is not recommended and will interfere with height adjustability.

Exposed end of Workbase must be finished. Unfinished ends have predrilled holes for connecting units together. Specify correct option based on Workbase orientation and number of modules connecting together. Specify desk and finished ends based on the user's side desk located on the left or right of the Workbase. The dimensional illustration below shows a left oriented desk. Connecting hardware included.

Door swings can be specified to accommodate storage access direction. Choose the appropriate door swing based on desk orientation. See Planning Guide for more details.

The wood grain for veneer Workbase panels is vertical.

For laminate (M) Workbase, the interior finish matches exterior finish.

For veneer (W) Workbase, the interior finish matches the laminate display finish.

Finished end cutout covers for laminate (M) Workbase match the Workbase finish. For veneer (W) Workbase, finished end cutout covers match the laminate display finish.

During installation, power and data cables are routed through the desk column from the Workbase to the cable management tray. Workbase panels in front of column are removable for access.

Recommend Flo® single-screen monitor arm support with Locale through surface mount attachment bracket (Y91171.LOC), ordered separately.

Monitor arms must be compatible with 3/4" (19mm) thick surfaces.

For Workbases with locks, contact Options.

See Planning Guide for configurations and desk edge detail.

For laminate (L) desk top material, edge and grommet colors are predetermined:

Laminate—Edgeband Color—Monitor Hole Grommet Cover Color

Neutral Twill (LBF)—Sandstone (WL)—White (g1)

Sarum Twill (LBG)—Folkstone Grey (8Q)—Folkstone Grey (8Q)

Earthen Twill (LBH)—Medium Tone (MT)—Graphite (G2)

Graphite Twill (LBJ)—Medium Tone (MT)—Graphite (G2)

White Twill (LBQ)—White (g1)—White (g1)

Pewter Mesh (LBK)—Warm Grey Neutral (WN)—Graphite (G2)

Steel Mesh (LBL)—Slate Grey (SG)—Graphite (G2)

Crisp Linen (LBM)—Folkstone Grey (8Q)—Folkstone Grey (8Q)

Classic Linen (LBN)—Sandstone (WL)—White (g1)

Casual Linen (LBP)—Warm Grey Neutral (WN)—Graphite (G2)

Clear on Ash (LBA)—White (g1)—White (g1)

Oak on Ash (LBB)—Medium Tone (MT)—Graphite (G2)

Walnut on Ash (LBC)—Medium Tone (MT)—Graphite (G2)

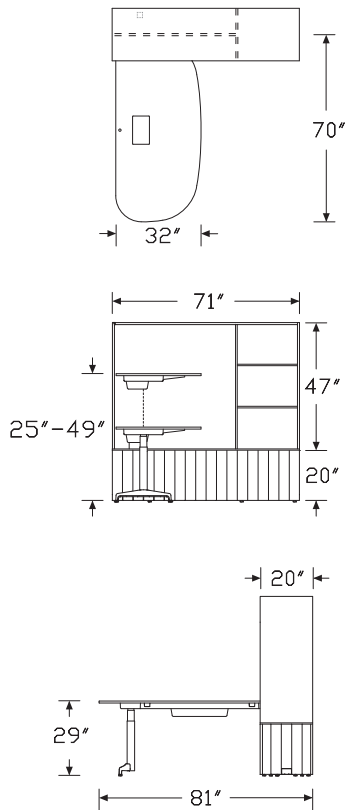
L-Desk Single with Partial Display

continued

Order these products separately:

- Power entry (BRE01. or BRE02.)
- Power block (BRE03.)
- Power duplex (BRE04.)
- Power jumper (BRE05.)
- Modular receptacle (BRE06.)
- Display tackboard (BRTB.)
- L-desk screen (BRLDS.)
- Logic G1000 desktop power grommet (Y1425.C or Y1425.F) with plug end power cord option (A) or Logic G1200 nonpowered grommet pass thru (Y1420.V)

Dimensions



Specification Information

Step 1.

BRLSP. A

Step 2. Position

L left A

R right A

Step 3. Adjustability

A adjustable A

F fixed height A

Step 4. Electrical Cutout Type

D desk electrical cutout A

G desk top and workbase top electrical cutout A

Step 5. Desk Top Material Type

L laminate A

T formcoat® A

W veneer A

Step 6. Workbase Orientation

EE both ends finished - end/end A

EM left finished end - end/mid A

ME right finished end - mid/end A

MM both ends unfinished - mid/mid A

Step 7. Door Configuration

1 front doors A

3 alternating doors A

Step 8. Workbase Panel Material

M low-pressure laminate A

W veneer A

Step 9. Upper Display Material

M low-pressure laminate A

Prices for Steps 1-9.

		DLEE1MM	DLEE1WM	DLEE3MM	DLEE3WM	DLEM1MM	DLEM1WM
BRLSP. L	A	\$8955	9880	8955	9880	8845	9770
	F	\$7862	8787	7862	8787	7752	8677
	R A	\$8955	9880	8955	9880	8845	9770
	F	\$7862	8787	7862	8787	7752	8677

L-Desk Single with Partial Display

continued

Locale® Desk

		DLEM3MM	DLEM3WM	DLME1MM	DLME1WM	DLME3MM	DLME3WM
BRLSP. L	A	\$8845	9770	8845	9770	8845	9770
	F	\$7752	8677	7752	8677	7752	8677
R	A	\$8845	9770	8845	9770	8845	9770
	F	\$7752	8677	7752	8677	7752	8677

		DLMM1MM	DLMM1WM	DLMM3MM	DLMM3WM	DTEE1MM	DTEE1WM
BRLSP. L	A	\$8765	9690	8765	9690	9075	10000
	F	\$7672	8597	7672	8597	7982	8907
R	A	\$8765	9690	8765	9690	9075	10000
	F	\$7672	8597	7672	8597	7982	8907

		DTEE3MM	DTEE3WM	DTEM1MM	DTEM1WM	DTEM3MM	DTEM3WM
BRLSP. L	A	\$9075	10000	8965	9890	8965	9890
	F	\$7982	8907	7872	8797	7872	8797
R	A	\$9075	10000	8965	9890	8965	9890
	F	\$7982	8907	7872	8797	7872	8797

		DTME1MM	DTME1WM	DTME3MM	DTME3WM	DTMM1MM	DTMM1WM
BRLSP. L	A	\$8965	9890	8965	9890	8885	9810
	F	\$7872	8797	7872	8797	7792	8717
R	A	\$8965	9890	8965	9890	8885	9810
	F	\$7872	8797	7872	8797	7792	8717

		DTMM3MM	DTMM3WM	DWEE1MM	DWEE1WM	DWEE3MM	DWEE3WM
BRLSP. L	A	\$8885	9810	9870	10795	9870	10795
	F	\$7792	8717	8777	9702	8777	9702
R	A	\$8885	9810	9870	10795	9870	10795
	F	\$7792	8717	8777	9702	8777	9702

		DWEM1MM	DWEM1WM	DWEM3MM	DWEM3WM	DWME1MM	DWME1WM
BRLSP. L	A	\$9760	10685	9760	10685	9760	10685
	F	\$8667	9592	8667	9592	8667	9592
R	A	\$9760	10685	9760	10685	9760	10685
	F	\$8667	9592	8667	9592	8667	9592

		DWME3MM	DWME3WM	DWMM1MM	DWMM1WM	DWMM3MM	DWMM3WM
BRLSP. L	A	\$9760	10685	9680	10605	9680	10605
	F	\$8667	9592	8587	9512	8587	9512
R	A	\$9760	10685	9680	10605	9680	10605
	F	\$8667	9592	8587	9512	8587	9512

		GLEE1MM	GLEE1WM	GLEE3MM	GLEE3WM	GLEM1MM	GLEM1WM
BRLSP. L	A	\$9005	9930	9005	9930	8895	9820
	F	\$7912	8837	7912	8837	7802	8727
R	A	\$9005	9930	9005	9930	8895	9820
	F	\$7912	8837	7912	8837	7802	8727

		GLEM3MM	GLEM3WM	GLME1MM	GLME1WM	GLME3MM	GLME3WM
BRLSP. L	A	\$8895	9820	8895	9820	8895	9820
	F	\$7802	8727	7802	8727	7802	8727
R	A	\$8895	9820	8895	9820	8895	9820
	F	\$7802	8727	7802	8727	7802	8727

		GLMM1MM	GLMM1WM	GLMM3MM	GLMM3WM	GTEE1MM	GTEE1WM
BRLSP. L	A	\$8815	9740	8815	9740	9125	10050
	F	\$7722	8647	7722	8647	8032	8957
R	A	\$8815	9740	8815	9740	9125	10050
	F	\$7722	8647	7722	8647	8032	8957

		GTEE3MM	GTEE3WM	GTEM1MM	GTEM1WM	GTEM3MM	GTEM3WM
BRLSP. L	A	\$9125	10050	9015	9940	9015	9940
	F	\$8032	8957	7922	8847	7922	8847
R	A	\$9125	10050	9015	9940	9015	9940
	F	\$8032	8957	7922	8847	7922	8847

		GTME1MM	GTME1WM	GTME3MM	GTME3WM	GTMM1MM	GTMM1WM
BRLSP. L	A	\$9015	9940	9015	9940	8935	9860
	F	\$7922	8847	7922	8847	7842	8767
R	A	\$9015	9940	9015	9940	8935	9860
	F	\$7922	8847	7922	8847	7842	8767

		GTMM3MM	GTMM3WM	GWEE1MM	GWEE1WM	GWEE3MM	GWEE3WM
BRLSP. L	A	\$8935	9860	9920	10845	9920	10845
	F	\$7842	8767	8827	9752	8827	9752
R	A	\$8935	9860	9920	10845	9920	10845
	F	\$7842	8767	8827	9752	8827	9752

		GWEM1MM	GWEM1WM	GWEM3MM	GWEM3WM	GWME1MM	GWME1WM
BRLSP. L	A	\$9810	10735	9810	10735	9810	10735
	F	\$8717	9642	8717	9642	8717	9642
R	A	\$9810	10735	9810	10735	9810	10735
	F	\$8717	9642	8717	9642	8717	9642

		GWME3MM	GWME3WM	GWMM1MM	GWMM1WM	GWMM3MM	GWMM3WM
BRLSP. L	A	\$9810	10735	9730	10655	9730	10655
	F	\$8717	9642	8637	9562	8637	9562
R	A	\$9810	10735	9730	10655	9730	10655
	F	\$8717	9642	8637	9562	8637	9562

L-Desk Single with Partial Display

continued

Step 10. Desk Top Finish

For laminate (L)

8Q	folkstone grey <input type="checkbox"/>	+\$0
91	white <input type="checkbox"/>	+\$0
LBA	clear on ash <input type="checkbox"/>	+\$0
LBB	oak on ash <input type="checkbox"/>	+\$0
LBC	walnut on ash <input type="checkbox"/>	+\$0
LBF	neutral twill <input type="checkbox"/>	+\$0
LBG	sarum twill <input type="checkbox"/>	+\$0
LBH	earthen twill <input type="checkbox"/>	+\$0
LBJ	graphite twill <input type="checkbox"/>	+\$0
LBK	pewter mesh <input type="checkbox"/>	+\$0
LBL	steel mesh <input type="checkbox"/>	+\$0
LBM	crisp linen <input type="checkbox"/>	+\$0
LBN	classic linen <input type="checkbox"/>	+\$0
LBP	casual linen <input type="checkbox"/>	+\$0
LBQ	white twill <input type="checkbox"/>	+\$0

For formcoat® (T)

8Q	folkstone grey <input type="checkbox"/>	+\$0
91	white <input type="checkbox"/>	+\$0

For veneer (W)

ET	clear on ash <input type="checkbox"/>	+\$0
EU	oak on ash <input type="checkbox"/>	+\$0
EV	walnut on ash <input type="checkbox"/>	+\$0

Step 11. Desk Understructure Finish

8Q	folkstone grey <input type="checkbox"/>	+\$0
91	white <input type="checkbox"/>	+\$0
G1	graphite <input type="checkbox"/>	+\$0

Step 12. Workbase Panel Finish

For low-pressure laminate (M)

8Q	folkstone grey <input type="checkbox"/>	+\$0
91	white <input type="checkbox"/>	+\$0
G1	graphite <input type="checkbox"/>	+\$0

For veneer (W)

ET	clear on ash <input type="checkbox"/>	+\$0
EU	oak on ash <input type="checkbox"/>	+\$0
EV	walnut on ash <input type="checkbox"/>	+\$0

Step 13. Workbase Storage Option

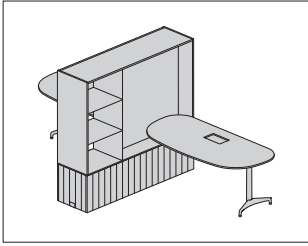
AJS	adjustable shelf <input type="checkbox"/>	+\$0
------------	---	------

Step 14. Upper Display Finish

8Q	folkstone grey <input type="checkbox"/>	+\$0
91	white <input type="checkbox"/>	+\$0
G1	graphite <input type="checkbox"/>	+\$0

L-Desk Double with Partial Display

BRLDP.



Locale® Deskling

Product Information

Description

This L-desk double with partial display is 2 individual work stations with both open and enclosed storage and display that can be accessed from both sides. The desks are oriented perpendicular to the Workbase. The unit is freestanding or can be connected end to end with other Locale® modules.

The Workbase provides enclosed storage that can be accessed from both sides. It has 2" (51mm) leveling glides and contains 2 storage compartments, 1 accessible by each user. Each storage compartment has an adjustable shelf and a removable bottom shelf for access to power and data raceway. Doors have a push latch. The grooved panel exterior minimizes the appearance of individual doors. It is available in laminate or veneer. The Workbase top is 1/2" (13mm) thick, available in laminate.

The Workbase is nonpowered. Modular power blocks, harnesses and receptacles must be ordered separately to power the unit and pass power to connecting modules. Hardwire options are available. A power pass-through cutout is on either end of the Workbase. Finished ends include a cutout cover.

The desk surfaces are supported by columns on one end of the Workbase. Each has a single outboard leg.

The desk is specified as fixed height at 29" (736mm) high, or height adjustable. The adjustable desk has electrical height adjustment with an included control lever that can be mounted on the left or right. Desk surface height range is 25" (635mm) to 49" (1244mm). Desk is 3/4" (19mm) thick and available in squared edge laminate or veneer, or thin edge Formcoat®. Desk surface has a cutout for user power components which must be ordered separately. Cable management trays are included. Tray finishes match desk understructure finish. A through-mount hole with grommet cover is provided on the desk surface for monitor arm support.

The partial display unit is divided into 2 vertical sections and is handed with the display oriented at the desk. The large display section has a center dividing panel and can hold a tackboard on either side. The smaller section has 3 fixed open shelves. The unit is available in laminate.

Notes

Mounting a monitor on the partial display is not recommended and will interfere with height adjustability.

Exposed end of Workbase must be finished. Unfinished ends have predrilled holes for connecting units together. Specify correct option based on Workbase orientation and number of modules connecting together. Connecting hardware included.

The wood grain for veneer Workbase panels is vertical.

For laminate (M) Workbase, interior finish matches exterior finish. For veneer (W) Workbase, interior finish matches the Workbase top finish. Finished end cutout covers for laminate (M) Workbase match the Workbase finish. For veneer (W) Workbase, finished end cutout covers match the Workbase top finish.

During installation, power and data cables are routed through the desk column from the Workbase to the cable management tray. Workbase panels in front of column are removable for access.

Recommend Flo® single-screen monitor arm support with Locale through surface mount attachment bracket (Y91171.LOC), ordered separately.

Monitor arms must be compatible with 3/4" (19mm) thick surfaces.

For Workbases with locks, and for electrical access at the Workbase top, contact Options.

See Planning Guide for configurations and desk edge detail.

For laminate (L) desk top material, edge and grommet colors are predetermined:

Laminate—Edgeband Color—Monitor Hole Grommet Cover Color

Neutral Twill (LBF)—Sandstone (WL)—White (G1)

Sarum Twill (LBG)—Folkstone Grey (8Q)—Folkstone Grey (8Q)

Earthen Twill (LBH)—Medium Tone (MT)—Graphite (G2)

Graphite Twill (LBJ)—Medium Tone (MT)—Graphite (G2)

White Twill (LBQ)—White (G1)—White (G1)

Pewter Mesh (LBK)—Warm Grey Neutral (WN)—Graphite (G2)

Steel Mesh (LBL)—Slate Grey (SG)—Graphite (G2)

Crisp Linen (LBM)—Folkstone Grey (8Q)—Folkstone Grey (8Q)

Classic Linen (LBN)—Sandstone (WL)—White (G1)

Casual Linen (LBP)—Warm Grey Neutral (WN)—Graphite (G2)

Clear on Ash (LBA)—White (G1)—White (G1)

Oak on Ash (LBB)—Medium Tone (MT)—Graphite (G2)

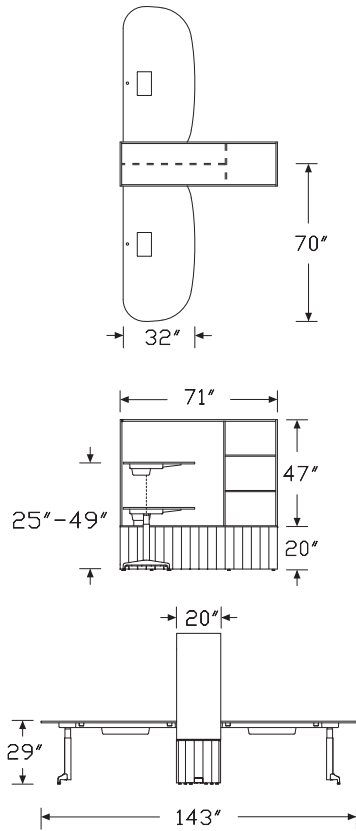
Walnut on Ash (LBC)—Medium Tone (MT)—Graphite (G2)

Order these products separately:

- Power entry (BRE01. or BRE02.)
- Power block (BRE03.)
- Power duplex (BRE04.)
- Power jumper (BRE05.)
- Modular receptacle (BRE06.)
- Display tackboard (BRTB.)
- L-desk screen (BRLDS.)
- Logic G1000 desktop power grommet (Y1425.C or Y1425.F) with plug end power cord option (A) or Logic G1200 nonpowered grommet pass thru (Y1420.V)

L-Desk Double with Partial Display *continued*

Dimensions



Specification Information

Step 1.

BRLDP. A

Step 2. Adjustability

A adjustable A

F fixed height A

Step 3. Electrical Cutout Type

D desk electrical cutout A

Step 4. Desk Top Material Type

L laminate A

T formcoat® A

W veneer A

Step 5. Workbase Orientation

EE both ends finished - end/end A

DM desk end finished - end/mid A

ED opposite desk end finished - mid/end A

MM both ends unfinished - mid/mid A

Step 6. Workbase Panel Material

M low-pressure laminate A

W veneer A

Step 7. Upper Display Material

M low-pressure laminate A

Prices for Steps 1-7.

	LEEMM	LEEWM	LDMMM	LDMWM	LEDMM	LEDWM
BRLDP. A D	\$12770	13665	12660	13555	12660	13555
F D	\$10584	11479	10474	11369	10474	11369

	LMMMM	LMMWM	TEEMM	TEEWM	TMMMM	TDMWM
BRLDP. A D	\$12580	13475	13010	13905	12900	13795
F D	\$10394	11289	10824	11719	10714	11609

	TEDMM	TEDWM	TMMMM	TMMWM	WEEMM	WEEWM
BRLDP. A D	\$12900	13795	12820	13715	14600	15495
F D	\$10714	11609	10634	11529	12414	13309

	WMMMM	WDMWM	WEDMM	WEDWM	WMMMM	WMMWM
BRLDP. A D	\$14490	15385	14490	15385	14410	15305
F D	\$12304	13199	12304	13199	12224	13119

L-Desk Double with Partial Display *continued*

Step 8. Desk Top Finish

For laminate (L)

8Q	folkstone grey <input type="checkbox"/>	+\$0
91	white <input type="checkbox"/>	+\$0
LBA	clear on ash <input type="checkbox"/>	+\$0
LBB	oak on ash <input type="checkbox"/>	+\$0
LBC	walnut on ash <input type="checkbox"/>	+\$0
LBF	neutral twill <input type="checkbox"/>	+\$0
LBG	sarum twill <input type="checkbox"/>	+\$0
LBH	earthen twill <input type="checkbox"/>	+\$0
LBJ	graphite twill <input type="checkbox"/>	+\$0
LBK	pewter mesh <input type="checkbox"/>	+\$0
LBL	steel mesh <input type="checkbox"/>	+\$0
LBM	crisp linen <input type="checkbox"/>	+\$0
LBN	classic linen <input type="checkbox"/>	+\$0
LBP	casual linen <input type="checkbox"/>	+\$0
LBQ	white twill <input type="checkbox"/>	+\$0

For formcoat® (T)

8Q	folkstone grey <input type="checkbox"/>	+\$0
91	white <input type="checkbox"/>	+\$0

For veneer (W)

ET	clear on ash <input type="checkbox"/>	+\$0
EU	oak on ash <input type="checkbox"/>	+\$0
EV	walnut on ash <input type="checkbox"/>	+\$0

Step 9. Desk Understructure Finish

8Q	folkstone grey <input type="checkbox"/>	+\$0
91	white <input type="checkbox"/>	+\$0
G1	graphite <input type="checkbox"/>	+\$0

Step 10. Workbase Panel Finish

For low-pressure laminate (M)

8Q	folkstone grey <input type="checkbox"/>	+\$0
91	white <input type="checkbox"/>	+\$0
G1	graphite <input type="checkbox"/>	+\$0

For veneer (W)

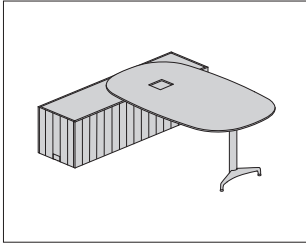
ET	clear on ash <input type="checkbox"/>	+\$0
EU	oak on ash <input type="checkbox"/>	+\$0
EV	walnut on ash <input type="checkbox"/>	+\$0

Step 11. Workbase Storage Option

AJS	adjustable shelf <input type="checkbox"/>	+\$0
------------	---	------

Step 12. Upper Display Finish

8Q	folkstone grey <input type="checkbox"/>	+\$0
91	white <input type="checkbox"/>	+\$0
G1	graphite <input type="checkbox"/>	+\$0



Product Information

Description

This T-peninsula single is a small group or individual work station with enclosed storage that can be accessed from both sides. The peninsula is centered on, and oriented perpendicular to the Workbase. It is freestanding or can be connected end to end with other Locale® modules.

The Workbase has enclosed storage that can be accessed from both sides. It has 2" (51mm) leveling glides and contains 2 storage compartments, each with an adjustable shelf and a removable bottom shelf for access to power and data raceway. Doors have a push latch. The grooved panel exterior minimizes the appearance of individual doors. The panels are available in laminate or veneer. The Workbase top is 1/2" (13mm) thick, available in laminate.

The Workbase is nonpowered. Modular power blocks, harnesses and receptacles must be ordered separately to power the unit and pass power to connecting modules. Hardwire options are available. A power pass-through cutout is on either end of the Workbase. Finished ends include a cutout cover. An optional Workbase top power access cutout with square grommet is available opposite the peninsula column. This option provides power routing to inside the Workbase for components located opposite the peninsula.

The peninsula surface is supported by a column centered on the Workbase. It has a single outboard leg.

The peninsula is specified as fixed height at 29" (736mm) high, or height adjustable. The adjustable peninsula has electrical height adjustment with an included control lever that can be mounted on the left or right. Peninsula surface height range is 25" (635mm) to 49" (1244mm). Peninsula is 3/4" (19mm) thick and is available in squared edge laminate or veneer, or thin edge Formcoat®. Peninsula surface has a cutout for user power components which must be ordered separately. Cable management tray included. Tray finish matches peninsula understructure finish. A through-mount hole with grommet cover is provided on each peninsula surface for monitor arm support.

Notes

Exposed end of Workbase must be finished. Unfinished ends have predrilled holes for connecting units together. Specify correct option based on Workbase orientation and number of modules connecting together. Left and right specification is defined from the peninsula side of the Workbase. Connecting hardware included.

Door swings can be specified to accommodate storage access direction. Choose the appropriate door swing based on desk orientation. See Planning Guide for more details.

The wood grain for veneer Workbase panels is vertical.

For laminate (M) Workbase, the interior finish matches exterior finish. For veneer (W) Workbase, the interior finish matches the Workbase top finish.

Finished end cutout covers for laminate (M) Workbase match the Workbase finish. For veneer (W) Workbase, finished end cutout covers match the Workbase top finish.

During installation, power and data cables are routed through the peninsula column from the Workbase to the cable management tray. Workbase panels in front of column are removable for access.

Recommend Flo® single-screen monitor arm support with Locale through surface mount attachment bracket (Y91171.LOC), ordered separately.

Monitor arms must be compatible with 3/4" (19mm) thick surfaces.

When specifying Workbase screen (BRWBS.), specify Workbase accessory cutout (S) to match.

For Workbases with locks, contact Options.

See Planning Guide for configurations and desk edge detail.

For laminate (L) desk top material, edge and grommet colors are predetermined:

Laminate—Edgeband Color—Monitor Hole Grommet Cover Color

Neutral Twill (LBF)—Sandstone (WL)—White (G1)

Sarum Twill (LBG)—Folkstone Grey (8Q)—Folkstone Grey (8Q)

Earthen Twill (LBH)—Medium Tone (MT)—Graphite (G2)

Graphite Twill (LBJ)—Medium Tone (MT)—Graphite (G2)

White Twill (LBQ)—White (G1)—White (G1)

Pewter Mesh (LBK)—Warm Grey Neutral (WN)—Graphite (G2)

Steel Mesh (LBL)—Slate Grey (SG)—Graphite (G2)

Crisp Linen (LBM)—Folkstone Grey (8Q)—Folkstone Grey (8Q)

Classic Linen (LBN)—Sandstone (WL)—White (G1)

Casual Linen (LBP)—Warm Grey Neutral (WN)—Graphite (G2)

Clear on Ash (LBA)—White (G1)—White (G1)

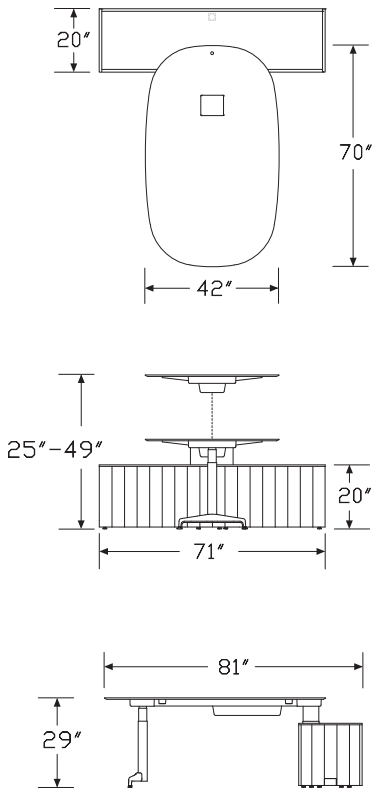
Oak on Ash (LBB)—Medium Tone (MT)—Graphite (G2)

Walnut on Ash (LBC)—Medium Tone (MT)—Graphite (G2)

Order these products separately:

- Power entry (BRE01. or BRE02.)
- Power block (BRE03.)
- Power duplex (BRE04.)
- Power jumper (BRE05.)
- Modular receptacle (BRE06.)
- Workbase screen (BRWBS.)
- Logic G1000 desktop power grommet (Y1425.A or Y1425.E) with plug end power cord option (A) or Logic G1200 nonpowered grommet pass thru (Y1420.T)

Dimensions



Specification Information

Step 1.

BRTS. A

Step 2. Adjustability

A adjustable A

F fixed height A

Step 3. Electrical Cutout Type

D desk electrical cutout A

G desk top and workbase top electrical cutout A

Step 4. Desk Top Material Type

L laminate A

T formcoat® A

W veneer A

Step 5. Workbase Orientation

EE both ends finished - end/end A

EM left finished end - end/mid A

ME right finished end - mid/end A

MM both ends unfinished - mid/mid A

Step 6. Workbase Accessory Cutout

N no cutout A

S workbase screen cutout A

Step 7. Door Configuration

1 front doors A

3 alternating doors A

Step 8. Workbase Panel Material

M low-pressure laminate A

W veneer A

Prices for Steps 1-8.

			LEEN1M	LEEN1W	LEEN3M	LEEN3W	LEES1M	LEES1W
BRTS.	A	D	\$6660	7585	6660	7585	6660	7585
		G	\$6710	7635	6710	7635	6710	7635
F	D		\$5567	6492	5567	6492	5567	6492
		G	\$5617	6542	5617	6542	5617	6542

			LEES3M	LEES3W	LEMN1M	LEMN1W	LEMN3M	LEMN3W
BRTS.	A	D	\$6660	7585	6550	7475	6550	7475
		G	\$6710	7635	6600	7525	6600	7525
F	D		\$5567	6492	5457	6382	5457	6382
		G	\$5617	6542	5507	6432	5507	6432

T-Peninsula Single *continued*

		LEMS1M	LEMS1W	LEMS3M	LEMS3W	LMEN1M	LMEN1W
BRTS. A	D	\$6550	7475	6550	7475	6550	7475
	G	\$6600	7525	6600	7525	6600	7525
F	D	\$5457	6382	5457	6382	5457	6382
	G	\$5507	6432	5507	6432	5507	6432

		LMEN3M	LMEN3W	LMES1M	LMES1W	LMES3M	LMES3W
BRTS. A	D	\$6550	7475	6550	7475	6550	7475
	G	\$6600	7525	6600	7525	6600	7525
F	D	\$5457	6382	5457	6382	5457	6382
	G	\$5507	6432	5507	6432	5507	6432

		LMMN1M	LMMN1W	LMMN3M	LMMN3W	LMMS1M	LMMS1W
BRTS. A	D	\$6470	7395	6470	7395	6470	7395
	G	\$6520	7445	6520	7445	6520	7445
F	D	\$5377	6302	5377	6302	5377	6302
	G	\$5427	6352	5427	6352	5427	6352

		LMMS3M	LMMS3W	TEEN1M	TEEN1W	TEEN3M	TEEN3W
BRTS. A	D	\$6470	7395	6780	7705	6780	7705
	G	\$6520	7445	6830	7755	6830	7755
F	D	\$5377	6302	5687	6612	5687	6612
	G	\$5427	6352	5737	6662	5737	6662

		TEES1M	TEES1W	TEES3M	TEES3W	TEMN1M	TEMN1W
BRTS. A	D	\$6780	7705	6780	7705	6670	7595
	G	\$6830	7755	6830	7755	6720	7645
F	D	\$5687	6612	5687	6612	5577	6502
	G	\$5737	6662	5737	6662	5627	6552

		TEMN3M	TEMN3W	TEMS1M	TEMS1W	TEMS3M	TEMS3W
BRTS. A	D	\$6670	7595	6670	7595	6670	7595
	G	\$6720	7645	6720	7645	6720	7645
F	D	\$5577	6502	5577	6502	5577	6502
	G	\$5627	6552	5627	6552	5627	6552

		TMEN1M	TMEN1W	TMEN3M	TMEN3W	TMES1M	TMES1W
BRTS. A	D	\$6670	7595	6670	7595	6670	7595
	G	\$6720	7645	6720	7645	6720	7645
F	D	\$5577	6502	5577	6502	5577	6502
	G	\$5627	6552	5627	6552	5627	6552

		TMES3M	TMES3W	TMMN1M	TMMN1W	TMMN3M	TMMN3W
BRTS. A	D	\$6670	7595	6590	7515	6590	7515
	G	\$6720	7645	6640	7565	6640	7565
F	D	\$5577	6502	5497	6422	5497	6422
	G	\$5627	6552	5547	6472	5547	6472

		TMMS1M	TMMS1W	TMMS3M	TMMS3W	WEEN1M	WEEN1W
BRTS. A	D	\$6590	7515	6590	7515	7825	8750
	G	\$6640	7565	6640	7565	7875	8800
F	D	\$5497	6422	5497	6422	6732	7657
	G	\$5547	6472	5547	6472	6782	7707

		WEEN3M	WEEN3W	WEES1M	WEES1W	WEES3M	WEES3W
BRTS. A	D	\$7825	8750	7825	8750	7825	8750
	G	\$7875	8800	7875	8800	7875	8800
F	D	\$6732	7657	6732	7657	6732	7657
	G	\$6782	7707	6782	7707	6782	7707

		WEMN1M	WEMN1W	WEMN3M	WEMN3W	WEMS1M	WEMS1W
BRTS. A	D	\$7715	8640	7715	8640	7715	8640
	G	\$7765	8690	7765	8690	7765	8690
F	D	\$6622	7547	6622	7547	6622	7547
	G	\$6672	7597	6672	7597	6672	7597

		WEMS3M	WEMS3W	WMEN1M	WMEN1W	WMEN3M	WMEN3W
BRTS. A	D	\$7715	8640	7715	8640	7715	8640
	G	\$7765	8690	7765	8690	7765	8690
F	D	\$6622	7547	6622	7547	6622	7547
	G	\$6672	7597	6672	7597	6672	7597

		WMES1M	WMES1W	WMES3M	WMES3W	WMMN1M	WMMN1W
BRTS. A	D	\$7715	8640	7715	8640	7635	8560
	G	\$7765	8690	7765	8690	7685	8610
F	D	\$6622	7547	6622	7547	6542	7467
	G	\$6672	7597	6672	7597	6592	7517

		WMMN3M	WMMN3W	WMMS1M	WMMS1W	WMMS3M	WMMS3W
BRTS. A	D	\$7635	8560	7635	8560	7635	8560
	G	\$7685	8610	7685	8610	7685	8610
F	D	\$6542	7467	6542	7467	6542	7467
	G	\$6592	7517	6592	7517	6592	7517

Locale® Deskling

Step 9. Desk Top Finish

For laminate (L)

8Q	folkstone grey <input type="checkbox"/>	+\$0
91	white <input type="checkbox"/>	+\$0
LBA	clear on ash <input type="checkbox"/>	+\$0
LBB	oak on ash <input type="checkbox"/>	+\$0
LBC	walnut on ash <input type="checkbox"/>	+\$0
LBF	neutral twill <input type="checkbox"/>	+\$0
LBG	sarum twill <input type="checkbox"/>	+\$0
LBH	earthen twill <input type="checkbox"/>	+\$0
LBJ	graphite twill <input type="checkbox"/>	+\$0
LBK	pewter mesh <input type="checkbox"/>	+\$0
LBL	steel mesh <input type="checkbox"/>	+\$0
LBM	crisp linen <input type="checkbox"/>	+\$0
LBN	classic linen <input type="checkbox"/>	+\$0
LBP	casual linen <input type="checkbox"/>	+\$0
LBQ	white twill <input type="checkbox"/>	+\$0

For formcoat® (T)

8Q	folkstone grey <input type="checkbox"/>	+\$0
91	white <input type="checkbox"/>	+\$0

For veneer (W)

ET	clear on ash <input type="checkbox"/>	+\$0
EU	oak on ash <input type="checkbox"/>	+\$0
EV	walnut on ash <input type="checkbox"/>	+\$0

Step 10. Desk Understructure Finish

8Q	folkstone grey <input type="checkbox"/>	+\$0
91	white <input type="checkbox"/>	+\$0
G1	graphite <input type="checkbox"/>	+\$0

Step 11. Workbase Top Finish

8Q	folkstone grey <input type="checkbox"/>	+\$0
91	white <input type="checkbox"/>	+\$0
G1	graphite <input type="checkbox"/>	+\$0

Step 12. Workbase Panel Finish

For low-pressure laminate (M)

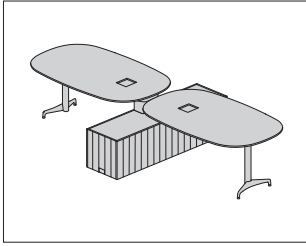
8Q	folkstone grey <input type="checkbox"/>	+\$0
91	white <input type="checkbox"/>	+\$0
G1	graphite <input type="checkbox"/>	+\$0

For veneer (W)

ET	clear on ash <input type="checkbox"/>	+\$0
EU	oak on ash <input type="checkbox"/>	+\$0
EV	walnut on ash <input type="checkbox"/>	+\$0

Step 13. Workbase Storage Option

AJS	adjustable shelf <input type="checkbox"/>	+\$0
------------	---	------



Product Information

Description

This T-peninsula double provides 2 small group or individual work stations with enclosed storage that can be accessed from both sides. The peninsula is centered on, and oriented perpendicular to the Workbase. It is freestanding or can be connected end to end with other Locale® modules.

The Workbase has enclosed storage. It has 2" (51mm) leveling glides and contains 2 storage compartments, 1 accessible from the right side of each peninsula. Each compartment has an adjustable shelf and a removable bottom shelf for access to power and data raceway. Doors have a push latch. The grooved panel exterior minimizes the appearance of individual doors. The panels are available in laminate or veneer. The Workbase top is 1/2" (13mm) thick, available in laminate.

The Workbase is nonpowered. Modular power blocks, harnesses and receptacles must be ordered separately to power the unit and pass power to connecting modules. Hardwire options are available. A power pass-through cutout is on either end of the Workbase. Finished ends include a cutout cover.

Peninsula surfaces are supported by columns, each centered on the Workbase. Each has a single outboard leg.

The peninsula is specified as fixed height at 29" (736mm) high, or height adjustable. Adjustable peninsulas have electrical height adjustment with an included control lever that can be mounted on the left or right.

Peninsula surface height range is 25" (635mm) to 49" (1244mm).

Peninsulas are 3/4" (19mm) thick and are available in squared edge laminate or veneer, or thin edge Formcoat®. Each peninsula surface has a cutout for user power components which must be ordered separately. Cable management trays included. Tray finishes match peninsula understructure finish. A through-mount hole with grommet cover is provided on each peninsula surface for monitor arm support.

Notes

Exposed end of Workbase must be finished. Unfinished ends have predrilled holes for connecting units together. Specify correct option based on Workbase orientation and number of modules connecting together. Connecting hardware included.

The wood grain for veneer Workbase panels is vertical.

For low-pressure laminate (M) Workbase, the interior finish matches exterior finish. For veneer (W) Workbase, interior finish matches the Workbase top finish.

Finished end cutout covers for laminate (M) Workbase match Workbase finish. For veneer (W) Workbase, finished end cutout covers match Workbase top finish.

During installation, power and data cables are routed through the peninsula column from the Workbase to the cable management tray. Workbase panels in front of column are removable for access.

Recommend Flo® single-screen monitor arm support with Locale through surface mount attachment bracket (Y91171.LOC), ordered separately.

Monitor arms must be compatible with 3/4" (19mm) thick surfaces.

When specifying Workbase screen (BRWBS.), specify Workbase accessory cutout (S) to match.

For Workbases with locks, and for electrical access at the Workbase top, contact Options.

See Planning Guide for configurations and desk edge detail.

For laminate (L) desk top material, edge and grommet colors are predetermined:

Laminate—Edgeband Color—Monitor Hole Grommet Cover Color

Neutral Twill (LBF)—Sandstone (WL)—White (G1)

Sarum Twill (LBG)—Folkstone Grey (8Q)—Folkstone Grey (8Q)

Earthen Twill (LBH)—Medium Tone (MT)—Graphite (G2)

Graphite Twill (LBJ)—Medium Tone (MT)—Graphite (G2)

White Twill (LBQ)—White (G1)—White (G1)

Pewter Mesh (LBK)—Warm Grey Neutral (WN)—Graphite (G2)

Steel Mesh (LBL)—Slate Grey (SG)—Graphite (G2)

Crisp Linen (LBM)—Folkstone Grey (8Q)—Folkstone Grey (8Q)

Classic Linen (LBN)—Sandstone (WL)—White (G1)

Casual Linen (LBP)—Warm Grey Neutral (WN)—Graphite (G2)

Clear on Ash (LBA)—White (G1)—White (G1)

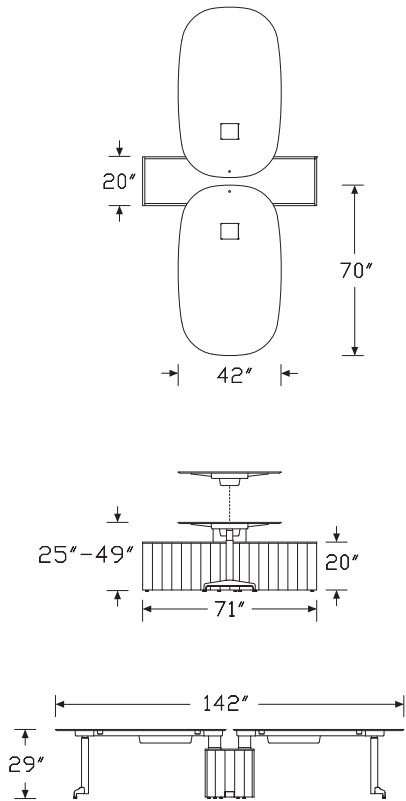
Oak on Ash (LBB)—Medium Tone (MT)—Graphite (G2)

Walnut on Ash (LBC)—Medium Tone (MT)—Graphite (G2)

Order these products separately:

- Power entry (BRE01. or BRE02.)
- Power block (BRE03.)
- Power duplex (BRE04.)
- Power jumper (BRE05.)
- Modular receptacle (BRE06.)
- Workbase screen (BRWBS.)
- Logic G1000 desktop power grommet (Y1425.A or Y1425.E) with plug end power cord option (A) or Logic G1200 nonpowered grommet pass thru (Y1420.T)

Dimensions



Specification Information

Step 1.

BRTD. A

Step 2. Adjustability

A adjustable A

F fixed height A

Step 3. Electrical Cutout Type

D desk electrical cutout A

Step 4. Desk Top Material Type

L laminate A

T formcoat® A

W veneer A

Step 5. Workbase Orientation

EE both ends finished - end/end A

OE one finished end - end/mid A

MM both ends unfinished - mid/mid A

Step 6. Workbase Accessory Cutout

N no cutout A

S workbase screen cutout A

Step 7. Workbase Panel Material

M low-pressure laminate A

W veneer A

Prices for Steps 1-7.

		LEENM	LEENW	LEESM	LEESW	LOENM	LOENW
BRTD.	A D	\$10470	11395	10470	11395	10360	11285
	F D	\$8284	9209	8284	9209	8174	9099

		LOESM	LOESW	LMMNM	LMMNW	LMMSM	LMMSW
BRTD.	A D	\$10360	11285	10280	11205	10280	11205
	F D	\$8174	9099	8094	9019	8094	9019

		TEENM	TEENW	TEESM	TEESW	TOENM	TOENW
BRTD.	A D	\$10590	11515	10590	11515	10480	11405
	F D	\$8404	9329	8404	9329	8294	9219

		TOESM	TOESW	TMMNM	TMMNW	TMMSM	TMMSW
BRTD.	A D	\$10480	11405	10400	11325	10400	11325
	F D	\$8294	9219	8214	9139	8214	9139

T-Peninsula Double *continued*

		WEENM	WEENW	WEESM	WEESW	WOENM	WOENW
BRTD.	A D	\$12800	13725	12800	13725	12690	13615
	F D	\$10614	11539	10614	11539	10504	11429

		WOESM	WOESW	WMMNM	WMMNW	WMMSM	WMMSW
BRTD.	A D	\$12690	13615	12610	13535	12610	13535
	F D	\$10504	11429	10424	11349	10424	11349

Step 8. Desk Top Finish

For laminate (L)

8Q	folkstone grey <input type="checkbox"/>	+\$0
91	white <input type="checkbox"/>	+\$0
LBA	clear on ash <input type="checkbox"/>	+\$0
LBB	oak on ash <input type="checkbox"/>	+\$0
LBC	walnut on ash <input type="checkbox"/>	+\$0
LBF	neutral twill <input type="checkbox"/>	+\$0
LBG	sarum twill <input type="checkbox"/>	+\$0
LBH	earthen twill <input type="checkbox"/>	+\$0
LBJ	graphite twill <input type="checkbox"/>	+\$0
LBK	pewter mesh <input type="checkbox"/>	+\$0
LBL	steel mesh <input type="checkbox"/>	+\$0
LBM	crisp linen <input type="checkbox"/>	+\$0
LBN	classic linen <input type="checkbox"/>	+\$0
LBP	casual linen <input type="checkbox"/>	+\$0
LBQ	white twill <input type="checkbox"/>	+\$0

For formcoat® (T)

8Q	folkstone grey <input type="checkbox"/>	+\$0
91	white <input type="checkbox"/>	+\$0

For veneer (W)

ET	clear on ash <input type="checkbox"/>	+\$0
EU	oak on ash <input type="checkbox"/>	+\$0
EV	walnut on ash <input type="checkbox"/>	+\$0

Step 9. Desk Understructure Finish

8Q	folkstone grey <input type="checkbox"/>	+\$0
91	white <input type="checkbox"/>	+\$0
G1	graphite <input type="checkbox"/>	+\$0

Step 10. Workbase Top Finish

8Q	folkstone grey <input type="checkbox"/>	+\$0
91	white <input type="checkbox"/>	+\$0
G1	graphite <input type="checkbox"/>	+\$0

Step 11. Workbase Panel Finish

For low-pressure laminate (M)

8Q	folkstone grey <input type="checkbox"/>	+\$0
91	white <input type="checkbox"/>	+\$0
G1	graphite <input type="checkbox"/>	+\$0

For veneer (W)

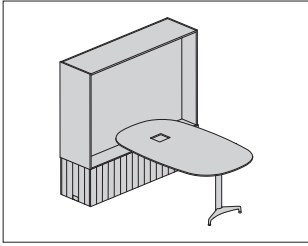
ET	clear on ash <input type="checkbox"/>	+\$0
EU	oak on ash <input type="checkbox"/>	+\$0
EV	walnut on ash <input type="checkbox"/>	+\$0

Step 12. Workbase Storage Option

AJS	adjustable shelf <input type="checkbox"/>	+\$0
------------	---	------

T-Peninsula Single with Full Display

BRTSF.



Locale® Deskting

Product Information

Description

This T-peninsula single with full display is a small group or individual work station with enclosed storage and display that can be accessed from both sides. The peninsula is centered on, and oriented perpendicular to the Workbase. The module is freestanding or can be connected end to end with other Locale® modules.

The Workbase has enclosed storage that can be accessed from both sides. It has 2" (51mm) leveling glides and contains 2 storage compartments, each with an adjustable shelf and a removable bottom shelf for access to power and data raceway. Doors have a push latch. The grooved panel exterior minimizes the appearance of individual doors. The panels are available in laminate or veneer. The Workbase top is 1/2" (13mm) thick, available in laminate.

The Workbase is nonpowered. Modular power blocks, harnesses and receptacles must be ordered separately to power the unit and pass power to connecting modules. Hardwire options are available. A power pass-through cutout is on either end of the Workbase. Finished ends include a cutout cover. An optional Workbase top power access cutout with square grommet is available opposite the peninsula column. This option provides power routing to inside the Workbase for components located opposite the peninsula.

The peninsula surface is supported by a column centered on the Workbase. It has a single outboard leg.

The peninsula is specified as fixed height at 29" (736mm) high, or height adjustable. The adjustable peninsula has electrical height adjustment with an included control lever that can be mounted on the left or right. Peninsula surface height range is 25" (635mm) to 49" (1244mm).

Peninsula is 3/4" (19mm) thick and is available in squared edge laminate or veneer, or thin edge Formcoat®. Peninsula surface has a cutout for user power components which must be ordered separately. Cable management tray included. Tray finish matches peninsula understructure finish. A through-mount hole with grommet cover is provided on each peninsula surface for monitor arm support.

The full display unit has a center dividing panel and can hold a tackboard on either side. The unit is available in laminate.

Notes

Mounting a monitor on the full display is not recommended and will interfere with height adjustability.

Exposed end of Workbase must be finished. Unfinished ends have predrilled holes for connecting units together. Specify correct option based on Workbase orientation and number of modules connecting together. Left and right specification is defined from the peninsula side of the Workbase. Connecting hardware included.

Door swings can be specified to accommodate storage access direction. Choose the appropriate door swing based on desk orientation. See Planning Guide for more details.

The wood grain for veneer Workbase panels is vertical.

For laminate (M) Workbase, the interior finish matches exterior finish.

For veneer (W) Workbase, the interior finish matches the laminate full display finish.

Finished end cutout covers for laminate (M) Workbase match the Workbase finish. For veneer (W) Workbase, finished end cutout covers match the laminate full display finish.

During installation, power and data cables are routed through the peninsula column from the Workbase to the cable management tray.

Workbase panels in front of column are removable for access.

Recommend Flo® single-screen monitor arm support with Locale through surface mount attachment bracket (Y91171.LOC), ordered separately.

Monitor arms must be compatible with 3/4" (19mm) thick surfaces.

For Workbases with locks, contact Options.

See Planning Guide for configurations and desk edge detail.

For laminate (L) desk top material, edge and grommet colors are predetermined:

Laminate—Edgeband Color—Monitor Hole Grommet Cover Color

Neutral Twill (LBF)—Sandstone (WL)—White (G1)

Sarum Twill (LBG)—Folkstone Grey (8Q)—Folkstone Grey (8Q)

Earthen Twill (LBH)—Medium Tone (MT)—Graphite (G2)

Graphite Twill (LBJ)—Medium Tone (MT)—Graphite (G2)

White Twill (LBQ)—White (G1)—White (G1)

Pewter Mesh (LBK)—Warm Grey Neutral (WN)—Graphite (G2)

Steel Mesh (LBL)—Slate Grey (SG)—Graphite (G2)

Crisp Linen (LBM)—Folkstone Grey (8Q)—Folkstone Grey (8Q)

Classic Linen (LBN)—Sandstone (WL)—White (G1)

Casual Linen (LBP)—Warm Grey Neutral (WN)—Graphite (G2)

Clear on Ash (LBA)—White (G1)—White (G1)

Oak on Ash (LBB)—Medium Tone (MT)—Graphite (G2)

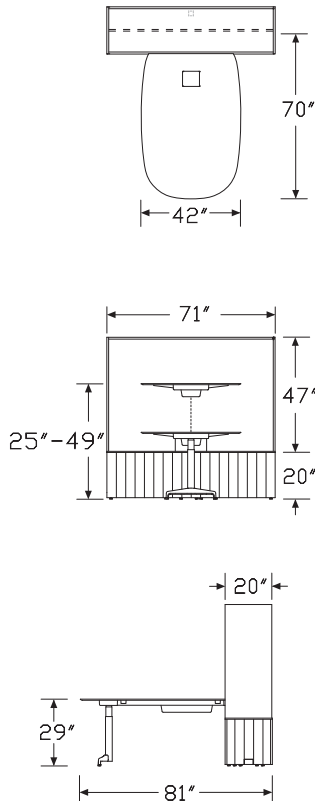
Walnut on Ash (LBC)—Medium Tone (MT)—Graphite (G2)

Order these products separately:

- Power entry (BRE01. or BRE02.)
- Power block (BRE03.)
- Power duplex (BRE04.)
- Power jumper (BRE05.)
- Modular receptacle (BRE06.)
- Display tackboard (BRTB.)
- Logic G1000 desktop power grommet (Y1425.A or Y1425.E) with plug end power cord option (A) or Logic G1200 nonpowered grommet pass thru (Y1420.T)

T-Peninsula Single with Full Display *continued*

Dimensions



Specification Information

Step 1.

BRTSF. A

Step 2. Adjustability

A adjustable A

F fixed height A

Step 3. Electrical Cutout Type

D desk electrical cutout A

G desk top and workbase top electrical cutout A

Step 4. Desk Top Material Type

L laminate A

T formcoat® A

W veneer A

Step 5. Workbase Orientation

EE both ends finished - end/end A

EM left finished end - end/mid A

ME right finished end - mid/end A

MM both ends unfinished - mid/mid A

Step 6. Door Configuration

1 front doors A

3 alternating doors A

Step 7. Workbase Panel Material

M low-pressure laminate A

W veneer A

Step 8. Upper Display Material

M low-pressure laminate A

Prices for Steps 1-8.

		LEE1MM	LEE1WM	LEE3MM	LEE3WM	LEM1MM	LEM1WM
BRTSF. A	D	\$9020	9940	9020	9940	8910	9830
	G	\$9070	9990	9070	9990	8960	9880
F	D	\$7927	8847	7927	8847	7817	8737
	G	\$7977	8897	7977	8897	7867	8787

		LEM3MM	LEM3WM	LME1MM	LME1WM	LME3MM	LME3WM
BRTSF. A	D	\$8910	9830	8910	9830	8910	9830
	G	\$8960	9880	8960	9880	8960	9880
F	D	\$7817	8737	7817	8737	7817	8737
	G	\$7867	8787	7867	8787	7867	8787

T-Peninsula Single with Full Display *continued*

Locale® Desking

		LMM1MM	LMM1WM	LMM3MM	LMM3WM	TEE1MM	TEE1WM
BRTSF. A	D	\$8830	9750	8830	9750	9140	10060
	G	\$8880	9800	8880	9800	9190	10110
F	D	\$7737	8657	7737	8657	8047	8967
	G	\$7787	8707	7787	8707	8097	9017
		TEE3MM	TEE3WM	TEM1MM	TEM1WM	TEM3MM	TEM3WM
BRTSF. A	D	\$9140	10060	9030	9950	9030	9950
	G	\$9190	10110	9080	10000	9080	10000
F	D	\$8047	8967	7937	8857	7937	8857
	G	\$8097	9017	7987	8907	7987	8907
		TME1MM	TME1WM	TME3MM	TME3WM	TMM1MM	TMM1WM
BRTSF. A	D	\$9030	9950	9030	9950	8950	9870
	G	\$9080	10000	9080	10000	9000	9920
F	D	\$7937	8857	7937	8857	7857	8777
	G	\$7987	8907	7987	8907	7907	8827
		TMM3MM	TMM3WM	WEE1MM	WEE1WM	WEE3MM	WEE3WM
BRTSF. A	D	\$8950	9870	10185	11105	10185	11105
	G	\$9000	9920	10235	11155	10235	11155
F	D	\$7857	8777	9092	10012	9092	10012
	G	\$7907	8827	9142	10062	9142	10062
		WEM1MM	WEM1WM	WEM3MM	WEM3WM	WME1MM	WME1WM
BRTSF. A	D	\$10075	10995	10075	10995	10075	10995
	G	\$10125	11045	10125	11045	10125	11045
F	D	\$8982	9902	8982	9902	8982	9902
	G	\$9032	9952	9032	9952	9032	9952
		WME3MM	WME3WM	WMM1MM	WMM1WM	WMM3MM	WMM3WM
BRTSF. A	D	\$10075	10995	9995	10915	9995	10915
	G	\$10125	11045	10045	10965	10045	10965
F	D	\$8982	9902	8902	9822	8902	9822
	G	\$9032	9952	8952	9872	8952	9872

Step 9. Desk Top Finish

For laminate (L)

8Q	folkstone grey <input type="checkbox"/>	+\$0
91	white <input type="checkbox"/>	+\$0
LBA	clear on ash <input type="checkbox"/>	+\$0
LBB	oak on ash <input type="checkbox"/>	+\$0
LBC	walnut on ash <input type="checkbox"/>	+\$0
LBF	neutral twill <input type="checkbox"/>	+\$0
LBG	sarum twill <input type="checkbox"/>	+\$0
LBH	earthen twill <input type="checkbox"/>	+\$0
LBJ	graphite twill <input type="checkbox"/>	+\$0
LBK	pewter mesh <input type="checkbox"/>	+\$0
LBL	steel mesh <input type="checkbox"/>	+\$0
LBM	crisp linen <input type="checkbox"/>	+\$0
LBN	classic linen <input type="checkbox"/>	+\$0
LBP	casual linen <input type="checkbox"/>	+\$0
LBQ	white twill <input type="checkbox"/>	+\$0

For formcoat® (T)

8Q	folkstone grey <input type="checkbox"/>	+\$0
91	white <input type="checkbox"/>	+\$0

For veneer (W)

ET	clear on ash <input type="checkbox"/>	+\$0
EU	oak on ash <input type="checkbox"/>	+\$0
EV	walnut on ash <input type="checkbox"/>	+\$0

Step 10. Desk Understructure Finish

8Q	folkstone grey <input type="checkbox"/>	+\$0
91	white <input type="checkbox"/>	+\$0
G1	graphite <input type="checkbox"/>	+\$0

Step 11. Workbase Panel Finish

For low-pressure laminate (M)

8Q	folkstone grey <input type="checkbox"/>	+\$0
91	white <input type="checkbox"/>	+\$0
G1	graphite <input type="checkbox"/>	+\$0

For veneer (W)

ET	clear on ash <input type="checkbox"/>	+\$0
EU	oak on ash <input type="checkbox"/>	+\$0
EV	walnut on ash <input type="checkbox"/>	+\$0

Step 12. Workbase Storage Option

AJS	adjustable shelf <input type="checkbox"/>	+\$0
------------	---	------

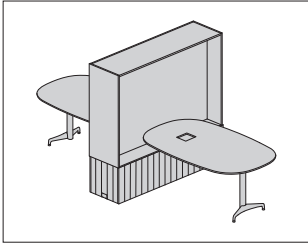
T-Peninsula Single with Full Display *continued*

Step 13. Upper Display Finish

8Q	folkstone grey <input type="checkbox"/>	+\$0
91	white <input type="checkbox"/>	+\$0
G1	graphite <input type="checkbox"/>	+\$0

T-Peninsula Double with Full Display

BRTDF.



Locale® Deskting

Product Information

Description

This T-peninsula double with full display provides 2 small group or individual work stations with enclosed storage and display that can be accessed from both sides. The peninsulas are centered on, and oriented perpendicular to the Workbase. The module is freestanding or can be connected end to end with other Locale® modules.

The Workbase provides enclosed storage that can be accessed from both sides. It has 2" (51mm) leveling glides and contains 2 storage compartments, 1 accessible from the right side of each peninsula. Each compartment has an adjustable shelf and a removable bottom shelf for access to power and data raceway. Doors have a push latch. The grooved panel exterior minimizes the appearance of individual doors. The panels are available in laminate or veneer. The Workbase top is 1/2" (13mm) thick, available in laminate.

The Workbase is nonpowered. Modular power blocks, harnesses and receptacles must be ordered separately to power the unit and pass power to connecting modules. Hardwire options are available. A power pass-through cutout is on either end of the Workbase. Finished ends include a cutout cover.

Peninsula surfaces are supported by columns, each centered on the Workbase. Each has a single outboard leg.

The peninsula is specified as fixed height at 29" (736mm) high, or height adjustable. Adjustable peninsulas have electrical height adjustment with an included control lever that can be mounted on the left or right. Peninsula surface height range is 25" (635mm) to 49" (1244mm). Peninsulas are 3/4" (19mm) thick and are available in squared edge laminate or veneer, or thin edge Formcoat®. Each peninsula surface has a cutout for user power components which must be ordered separately. Cable management trays included. Tray finishes match peninsula understructure finish. A through-mount hole with grommet cover is provided on each peninsula surface for monitor arm support.

The full display unit has a center dividing panel and can hold a tackboard on either side. The unit is available in laminate.

Notes

Mounting a monitor on the full display is not recommended and will interfere with height adjustability.

Exposed end of Workbase must be finished. Unfinished ends have predrilled holes for connecting units together. Specify correct option based on Workbase orientation and number of modules connecting together. Connecting hardware included.

For laminate (M) Workbase, interior finish matches exterior finish. For veneer (W) Workbase, interior finish matches the laminate full display finish.

Finished end cutout covers for laminate (M) Workbase match Workbase finish. For veneer (W) Workbase, finished end cutout covers match the laminate full display finish.

During installation, power and data cables are routed through the peninsula column from the Workbase to the cable management tray. Workbase panels in front of column are removable for access.

Recommend Flo® single-screen monitor arm support with Locale through surface mount attachment bracket (Y91171.LOC), ordered separately. Monitor arms must be compatible with 3/4" (19mm) or 1/2" (13mm) thick surfaces.

For Workbases with locks, and for electrical access at the Workbase top, contact Options.

See Planning Guide for configurations and desk edge detail.

For laminate (L) desk top material, edge and grommet colors are predetermined:

Laminate—Edgeband Color—Monitor Hole Grommet Cover Color
Neutral Twill (LBF)—Sandstone (WL)—White (G1)

Sarum Twill (LBG)—Folkstone Grey (8Q)—Folkstone Grey (8Q)

Earthen Twill (LBH)—Medium Tone (MT)—Graphite (G2)

Graphite Twill (LBJ)—Medium Tone (MT)—Graphite (G2)

White Twill (LBQ)—White (G1)—White (G1)

Pewter Mesh (LBK)—Warm Grey Neutral (WN)—Graphite (G2)

Steel Mesh (LBL)—Slate Grey (SG)—Graphite (G2)

Crisp Linen (LBM)—Folkstone Grey (8Q)—Folkstone Grey (8Q)

Classic Linen (LBN)—Sandstone (WL)—White (G1)

Casual Linen (LBP)—Warm Grey Neutral (WN)—Graphite (G2)

Clear on Ash (LBA)—White (G1)—White (G1)

Oak on Ash (LBB)—Medium Tone (MT)—Graphite (G2)

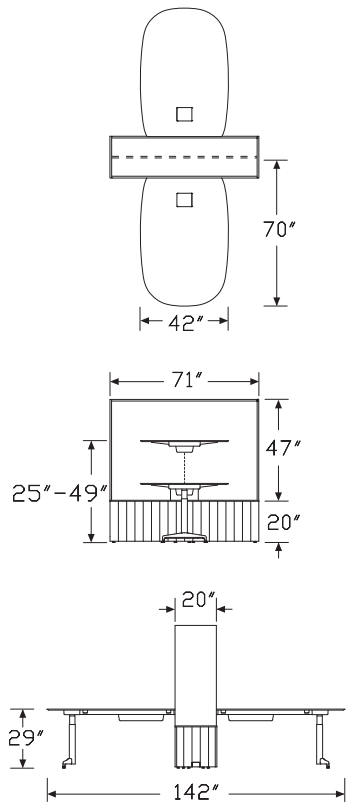
Walnut on Ash (LBC)—Medium Tone (MT)—Graphite (G2)

Order these products separately:

- Power entry (BRE01. or BRE02.)
- Power block (BRE03.)
- Power duplex (BRE04.)
- Power jumper (BRE05.)
- Modular receptacle (BRE06.)
- Display tackboard (BRTB.)
- Logic G1000 desktop power grommet (Y1425.A or Y1425.E) with plug end power cord option (A) or Logic G1200 nonpowered grommet pass thru (Y1420.T)

T-Peninsula Double with Full Display *continued*

Dimensions



Specification Information

Step 1.

BRTDF. A

Step 2. Adjustability

A adjustable A

F fixed height A

Step 3. Electrical Cutout Type

D desk electrical cutout A

Step 4. Desk Top Material Type

L laminate A

T formcoat® A

W veneer A

Step 5. Workbase Orientation

EE both ends finished - end/end A

OE one finished end - end/mid A

MM both ends unfinished - mid/mid A

Step 6. Workbase Panel Material

M low-pressure laminate A

W veneer A

Step 7. Upper Display Material

M low-pressure laminate A

Prices for Steps 1-7.

	LEEMM	LEEWM	LOEMM	LOEWM	LMMMM	LMMWM
BRTDF. A D	\$12830	13725	12720	13615	12640	13535
F D	\$10644	11539	10534	11429	10454	11349

	TEEMM	TEEWM	TOEMM	TOEWM	TMMMM	TMMWM
BRTDF. A D	\$13070	13965	12960	13855	12880	13775
F D	\$10884	11779	10774	11669	10694	11589

	WEEMM	WEEWM	WOEMM	WOEWM	WMMMM	WMWWM
BRTDF. A D	\$15160	16055	15050	15945	14970	15865
F D	\$12974	13869	12864	13759	12784	13679

T-Peninsula Double with Full Display *continued*

Step 8. Desk Top Finish

For laminate (L)

8Q	folkstone grey <input type="checkbox"/>	+\$0
91	white <input type="checkbox"/>	+\$0
LBA	clear on ash <input type="checkbox"/>	+\$0
LBB	oak on ash <input type="checkbox"/>	+\$0
LBC	walnut on ash <input type="checkbox"/>	+\$0
LBF	neutral twill <input type="checkbox"/>	+\$0
LBG	sarum twill <input type="checkbox"/>	+\$0
LBH	earthen twill <input type="checkbox"/>	+\$0
LBJ	graphite twill <input type="checkbox"/>	+\$0
LBK	pewter mesh <input type="checkbox"/>	+\$0
LBL	steel mesh <input type="checkbox"/>	+\$0
LBM	crisp linen <input type="checkbox"/>	+\$0
LBN	classic linen <input type="checkbox"/>	+\$0
LBP	casual linen <input type="checkbox"/>	+\$0
LBQ	white twill <input type="checkbox"/>	+\$0

For formcoat® (T)

8Q	folkstone grey <input type="checkbox"/>	+\$0
91	white <input type="checkbox"/>	+\$0

For veneer (W)

ET	clear on ash <input type="checkbox"/>	+\$0
EU	oak on ash <input type="checkbox"/>	+\$0
EV	walnut on ash <input type="checkbox"/>	+\$0

Step 9. Desk Understructure Finish

8Q	folkstone grey <input type="checkbox"/>	+\$0
91	white <input type="checkbox"/>	+\$0
G1	graphite <input type="checkbox"/>	+\$0

Step 10. Workbase Panel Finish

For low-pressure laminate (M)

8Q	folkstone grey <input type="checkbox"/>	+\$0
91	white <input type="checkbox"/>	+\$0
G1	graphite <input type="checkbox"/>	+\$0

For veneer (W)

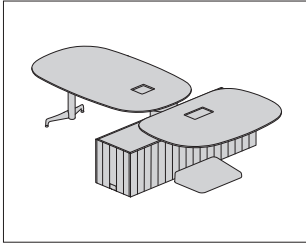
ET	clear on ash <input type="checkbox"/>	+\$0
EU	oak on ash <input type="checkbox"/>	+\$0
EV	walnut on ash <input type="checkbox"/>	+\$0

Step 11. Workbase Storage Option

AJS	adjustable shelf <input type="checkbox"/>	+\$0
------------	---	------

Step 12. Upper Display Finish

8Q	folkstone grey <input type="checkbox"/>	+\$0
91	white <input type="checkbox"/>	+\$0
G1	graphite <input type="checkbox"/>	+\$0



Product Information

Description

This module combines a D-desk single work station and a T-peninsula single with enclosed storage. The D-desk is oriented parallel to the Workbase. The peninsula is centered on, and oriented perpendicular to the Workbase. The module is freestanding or can be connected end to end with other Locale® modules.

The Workbase provides enclosed storage that can be accessed from both sides. It has 2" (51mm) leveling glides and contains 2 storage compartments, 1 accessible from the right side of each desk. Storage compartments each have an adjustable shelf and a removable bottom shelf for access to power and data raceway. Doors have a push latch. The grooved panel exterior minimizes the appearance of individual doors. The module is available in laminate or veneer. The Workbase top is 1/2" (13mm) thick, available in laminate.

The Workbase is nonpowered. Modular power blocks, harnesses and receptacles must be ordered separately to power the unit and pass power to connecting modules. Hardwire options are available. A power pass-through cutout is on either end of the Workbase. Finished ends include a cutout cover.

The D-desk surface is cantilevered off the Workbase, supported by a column with outrigger supports at the floor. Outrigger supports have an ABS plastic cover which functions as a foot rest. The peninsula surface is supported by a column, centered on the Workbase. It has a single outboard leg.

The desk and peninsula are specified as fixed height at 29" (736mm) high, or height adjustable. Both the adjustable desk and adjustable peninsula have electrical height adjustment with an included control lever that can be mounted on the left or right. Desk and peninsula surface height ranges are 25" (635mm) to 49" (1244mm). Desk and peninsula are 3/4" (19mm) thick and are available in square edge laminate or veneer, or thin edge Formcoat®. Both surfaces have a cutout for user power components which must be ordered separately. The D-desk cutout accepts a 5-module desktop power unit, while the T-peninsula accepts a 3-module desktop power unit. Cable management trays are included. Tray finishes match understructure finishes. A through-mount hole with grommet cover is provided on both surfaces for monitor arm support.

Notes

Exposed end of Workbase must be finished. Unfinished ends have predrilled holes for connecting units together. Specify correct option based on Workbase orientation and number of modules connecting together. Left and right specification is defined from the D-desk side of the Workbase. Connecting hardware included.

For laminate (M) Workbase, interior finish matches exterior finish. For veneer (W) Workbase, interior finish matches Workbase top finish.

Finished end cutout covers for laminate (M) Workbase match the Workbase finish. For veneer (W) Workbase, finished end cutout covers match the Workbase top finish.

During installation, power and data cables are routed through the desk column from the Workbase to the cable management tray. Workbase panels in front of column are removable for access.

Recommend Flo® single-screen monitor arm support with Locale through surface mount attachment bracket (Y91171.LOC), ordered separately.

Monitor arms must be compatible with 3/4" (19mm) thick surfaces. Clamp mount arms cannot be mounted in center back of D-desk surface.

When specifying Workbase screen (BRWBS.), specify Workbase accessory cutout (S) to match

For Workbases with locks, and for electrical access at the Workbase top, contact Options.

See Planning Guide for configurations and desk edge detail.

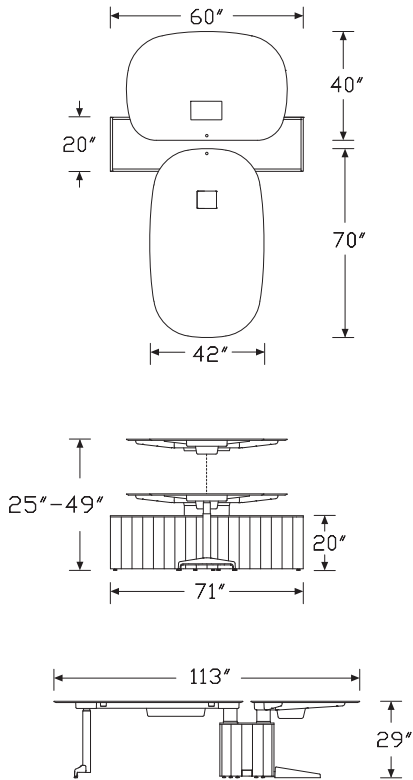
For laminate (L) desk top material, edge and grommet colors are predetermined:

Laminate—Edgeband Color—Monitor Hole Grommet Cover Color
 Neutral Twill (LBF)—Sandstone (WL)—White (g1)
 Sarum Twill (LBG)—Folkstone Grey (8Q)—Folkstone Grey (8Q)
 Earthen Twill (LBH)—Medium Tone (MT)—Graphite (G2)
 Graphite Twill (LBJ)—Medium Tone (MT)—Graphite (G2)
 White Twill (LBQ)—White (g1)—White (g1)
 Pewter Mesh (LBK)—Warm Grey Neutral (WN)—Graphite (G2)
 Steel Mesh (LBL)—Slate Grey (SG)—Graphite (G2)
 Crisp Linen (LBM)—Folkstone Grey (8Q)—Folkstone Grey (8Q)
 Classic Linen (LBN)—Sandstone (WL)—White (g1)
 Casual Linen (LBP)—Warm Grey Neutral (WN)—Graphite (G2)
 Clear on Ash (LBA)—White (g1)—White (g1)
 Oak on Ash (LBB)—Medium Tone (MT)—Graphite (G2)
 Walnut on Ash (LBC)—Medium Tone (MT)—Graphite (G2)

Order these products separately:

- Power entry (BRE01. or BRE02.)
- Power block (BRE03.)
- Power duplex (BRE04.)
- Power jumper (BRE05.)
- Modular receptacle (BRE06.)
- Workbase screen (BRWBS.)
- Logic G1000 desktop power grommet (Y1425.A or Y1425.E) with plug end power cord option (A) or Logic G1200 nonpowered grommet pass thru (Y1420.T)
- Logic G1000 desktop power grommet (Y1425.C or Y1425.F) with plug end power cord option (A) or Logic G1200 nonpowered grommet pass thru (Y1420.V)

Dimensions



Specification Information

Step 1.

BRCD. A

Step 2. Adjustability

- A** adjustable A
- F** fixed height A

Step 3. Electrical Cutout Type

D desk electrical cutout A

Step 4. Desk Top Material Type

- L** laminate A
- T** formcoat® A
- W** veneer A

Step 5. Workbase Orientation

- EE** both ends finished - end/end A
- EM** left finished end - end/mid A
- ME** right finished end - mid/end A
- MM** both ends unfinished - mid/mid A

Step 6. Workbase Accessory Cutout

- N** no cutout A
- S** workbase screen cutout A

Step 7. Workbase Panel Material

- M** low-pressure laminate A
- W** veneer A

Prices for Steps 1-7.

		LEENM	LEENW	LEESM	LEESW	LEMNM	LEMNW
BRCD.	A D	\$10470	11395	10470	11395	10360	11285
	F D	\$8440	9365	8440	9365	8330	9255

		LEMSM	LEMSW	LMENM	LMENW	LMESM	LMESW
BRCD.	A D	\$10360	11285	10360	11285	10360	11285
	F D	\$8330	9255	8330	9255	8330	9255

		LMMNM	LMMNW	LMSM	LMSW	TEENM	TEENW
BRCD.	A D	\$10280	11205	10280	11205	10710	11635
	F D	\$8250	9175	8250	9175	8680	9605

		TEESM	TEESW	TEMNM	TEMNW	TEMSM	TEMSW
BRCD.	A D	\$10710	11635	10600	11525	10600	11525
	F D	\$8680	9605	8570	9495	8570	9495

Combination D/T Double *continued*

	TMENM	TMENW	TMESM	TMESW	TMMNM	TMMNW
BRCD. A D	\$10600	11525	10600	11525	10520	11445
F D	\$8570	9495	8570	9495	8490	9415

	TMMSM	TMMSW	WEENM	WEENW	WEESM	WEESW
BRCD. A D	\$10520	11445	12460	13385	12460	13385
F D	\$8490	9415	10430	11355	10430	11355

	WEMNM	WEMNW	WESM	WESW	WMENM	WMENW
BRCD. A D	\$12350	13275	12350	13275	12350	13275
F D	\$10320	11245	10320	11245	10320	11245

	WMESM	WMESW	WMMNM	WMMNW	WMMSM	WMMSW
BRCD. A D	\$12350	13275	12270	13195	12270	13195
F D	\$10320	11245	10240	11165	10240	11165

Step 8. Desk Top Finish

For laminate (L)

8Q	folkstone grey <input type="checkbox"/>	+\$0
91	white <input type="checkbox"/>	+\$0
LBA	clear on ash <input type="checkbox"/>	+\$0
LBB	oak on ash <input type="checkbox"/>	+\$0
LBC	walnut on ash <input type="checkbox"/>	+\$0
LBF	neutral twill <input type="checkbox"/>	+\$0
LBG	sarum twill <input type="checkbox"/>	+\$0
LBH	earthen twill <input type="checkbox"/>	+\$0
LBJ	graphite twill <input type="checkbox"/>	+\$0
LBK	pewter mesh <input type="checkbox"/>	+\$0
LBL	steel mesh <input type="checkbox"/>	+\$0
LBM	crisp linen <input type="checkbox"/>	+\$0
LBN	classic linen <input type="checkbox"/>	+\$0
LBP	casual linen <input type="checkbox"/>	+\$0
LBQ	white twill <input type="checkbox"/>	+\$0

For formcoat® (T)

8Q	folkstone grey <input type="checkbox"/>	+\$0
91	white <input type="checkbox"/>	+\$0

For veneer (W)

ET	clear on ash <input type="checkbox"/>	+\$0
EU	oak on ash <input type="checkbox"/>	+\$0
EV	walnut on ash <input type="checkbox"/>	+\$0

Step 9. Desk Understructure Finish

8Q	folkstone grey <input type="checkbox"/>	+\$0
91	white <input type="checkbox"/>	+\$0
G1	graphite <input type="checkbox"/>	+\$0

Step 10. Workbase Top Finish

8Q	folkstone grey <input type="checkbox"/>	+\$0
91	white <input type="checkbox"/>	+\$0
G1	graphite <input type="checkbox"/>	+\$0

Step 11. Workbase Panel Finish

For low-pressure laminate (M)

8Q	folkstone grey <input type="checkbox"/>	+\$0
91	white <input type="checkbox"/>	+\$0
G1	graphite <input type="checkbox"/>	+\$0

For veneer (W)

ET	clear on ash <input type="checkbox"/>	+\$0
EU	oak on ash <input type="checkbox"/>	+\$0
EV	walnut on ash <input type="checkbox"/>	+\$0

Step 12. Workbase Storage Option

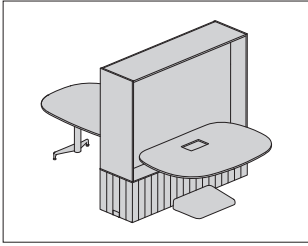
AJS	adjustable shelf <input type="checkbox"/>	+\$0
------------	---	------

Step 13. Footrest Finish

G1	graphite <input type="checkbox"/>	+\$0
SG	slate grey <input type="checkbox"/>	+\$0

Combination D/T with Full Display

BRCDF.



Locale® Desk

Product Information

Description

This module combines a D-desk single work station and a T-peninsula single with enclosed storage and full display. The D-desk is oriented parallel to the Workbase. The peninsula is centered on, and oriented perpendicular to the Workbase. The module is freestanding or can be connected end to end with other Locale® modules.

The Workbase provides enclosed storage that can be accessed from both sides. It has 2" (51mm) leveling glides and contains 2 storage compartments, 1 accessible from the right side of each desk. Storage compartments each have an adjustable shelf and a removable bottom shelf for access to power and data raceway. Doors have a push latch. The grooved panel exterior minimizes the appearance of individual doors. The module is available in laminate or veneer. The Workbase top is 1/2" (13mm) thick, available in laminate.

The Workbase is nonpowered. Modular power blocks, harnesses and receptacles must be ordered separately to power the unit and pass power to connecting modules. Hardwire options are available. A power pass-through cutout is on either end of the Workbase. Finished ends include a cutout cover.

The D-desk surface is cantilevered off the Workbase, supported by a column with outrigger supports at the floor. Outrigger supports have an ABS plastic cover which functions as a foot rest. The peninsula surface is supported by a column, centered on the Workbase. It has a single outboard leg.

The desk and peninsula are specified as fixed height at 29" (736mm) high, or height adjustable. Both the adjustable desk and adjustable peninsula have electrical height adjustment with an included control lever that can be mounted on the left or right. Desk and peninsula surface height ranges are 25" (635mm) to 49" (1244mm). Desk and peninsula are 3/4" (19mm) thick and are available in square edge laminate or veneer, or thin edge Formcoat®. Both surfaces have a cutout for user power components which must be ordered separately. The D-desk cutout accepts a 5-module desktop power unit, while the T-peninsula accepts a 3-module desktop power unit. Cable management trays are included. Tray finishes match understructure finishes. A through-mount hole with grommet cover is provided on both surfaces for monitor arm support.

The full display unit has a center dividing panel and can hold a tackboard on either side. The unit is available in laminate.

Notes

Mounting a monitor on the full display is not recommended and will interfere with height adjustability.

Exposed end of Workbase must be finished. Unfinished ends have predrilled holes for connecting units together. Specify correct option based on Workbase orientation and number of modules connecting together. Left and right specification is defined from the D-desk side of the Workbase. Connecting hardware included.

For laminate (M) Workbase, interior finish matches exterior finish. For veneer (W) Workbase, interior finish matches Workbase top finish.

Finished end cutout covers for laminate (M) Workbase match the Workbase finish. For veneer (W) Workbase, finished end cutout covers match the laminate full display.

During installation, power and data cables are routed through the desk column from the Workbase to the cable management tray. Workbase panels in front of column are removable for access.

Recommend Flo® single-screen monitor arm support with Locale through surface mount attachment bracket (Y91171.LOC), ordered separately.

Monitor arms must be compatible with 3/4" (19mm) thick surfaces. Clamp mount arms cannot be mounted in center back of D-desk surface.

For Workbases with locks, and for electrical access at the Workbase top, contact Options.

See Planning Guide for configurations and desk edge detail.

For laminate (L) desk top material, edge and grommet colors are predetermined:

Laminate—Edgeband Color—Monitor Hole Grommet Cover Color

Neutral Twill (LBF)—Sandstone (WL)—White (g1)

Sarum Twill (LBG)—Folkstone Grey (8Q)—Folkstone Grey (8Q)

Earthen Twill (LBH)—Medium Tone (MT)—Graphite (G2)

Graphite Twill (LBJ)—Medium Tone (MT)—Graphite (G2)

White Twill (LBQ)—White (g1)—White (g1)

Pewter Mesh (LBK)—Warm Grey Neutral (WN)—Graphite (G2)

Steel Mesh (LBL)—Slate Grey (SG)—Graphite (G2)

Crisp Linen (LBM)—Folkstone Grey (8Q)—Folkstone Grey (8Q)

Classic Linen (LBN)—Sandstone (WL)—White (g1)

Casual Linen (LBP)—Warm Grey Neutral (WN)—Graphite (G2)

Clear on Ash (LBA)—White (g1)—White (g1)

Oak on Ash (LBB)—Medium Tone (MT)—Graphite (G2)

Walnut on Ash (LBC)—Medium Tone (MT)—Graphite (G2)

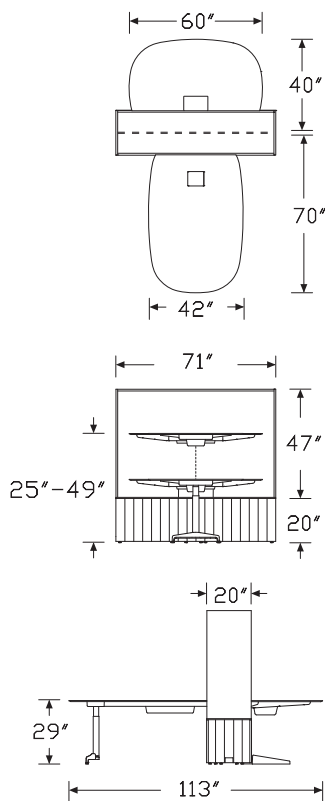
Combination D/T with Full Display

continued

Order these products separately:

- Power entry (BRE01. or BRE02.)
- Power block (BRE03.)
- Power duplex (BRE04.)
- Power jumper (BRE05.)
- Modular receptacle (BRE06.)
- Display tackboard (BRTB.)
- Desktop 3-module power unit (Y1425.A or Y1425.E)
- Desktop 5-module power unit (Y1425.C or Y1425.F)

Dimensions



Specification Information

Step 1.

BRCDF. A

Step 2. Adjustability

A adjustable A

F fixed height A

Step 3. Electrical Cutout Type

D desk electrical cutout A

Step 4. Desk Top Material Type

L laminate A

T formcoat® A

W veneer A

Step 5. Workbase Orientation

EE both ends finished - end/end A

EM left finished end - end/mid A

ME right finished end - mid/end A

MM both ends unfinished - mid/mid A

Step 6. Workbase Panel Material

M low-pressure laminate A

W veneer A

Step 7. Upper Display Material

M low-pressure laminate A

Prices for Steps 1-7.

	LEEMM	LEEWM	LEMMM	LEMWM	LMEMM	LMEWM
BRCDF. A D	\$12830	13755	12720	13645	12720	13645
F D	\$10800	11725	10690	11615	10690	11615
	LMMMM	LMMWM	TEEMM	TEEWM	TEMMM	TEMWM
BRCDF. A D	\$12640	13565	13070	13995	12960	13885
F D	\$10610	11535	11040	11965	10930	11855
	TMEMM	TMEWM	TMMMM	TMMWM	WEEMM	WEEWM
BRCDF. A D	\$12960	13885	12880	13805	14820	15745
F D	\$10930	11855	10850	11775	12790	13715
	WEMMM	WEMWM	WEMMM	WMEWM	WMMMM	WMMWM
BRCDF. A D	\$14710	15635	14710	15635	14630	15555
F D	\$12680	13605	12680	13605	12600	13525

Combination D/T with Full Display

continued

Locale® Desking

Step 8. Desk Top Finish

For laminate (L)

8Q	folkstone grey <input type="checkbox"/>	+\$0
91	white <input type="checkbox"/>	+\$0
LBA	clear on ash <input type="checkbox"/>	+\$0
LBB	oak on ash <input type="checkbox"/>	+\$0
LBC	walnut on ash <input type="checkbox"/>	+\$0
LBF	neutral twill <input type="checkbox"/>	+\$0
LBG	sarum twill <input type="checkbox"/>	+\$0
LBH	earthen twill <input type="checkbox"/>	+\$0
LBJ	graphite twill <input type="checkbox"/>	+\$0
LBK	pewter mesh <input type="checkbox"/>	+\$0
LBL	steel mesh <input type="checkbox"/>	+\$0
LBM	crisp linen <input type="checkbox"/>	+\$0
LBN	classic linen <input type="checkbox"/>	+\$0
LBP	casual linen <input type="checkbox"/>	+\$0
LBQ	white twill <input type="checkbox"/>	+\$0

For formcoat® (T)

8Q	folkstone grey <input type="checkbox"/>	+\$0
91	white <input type="checkbox"/>	+\$0

For veneer (W)

ET	clear on ash <input type="checkbox"/>	+\$0
EU	oak on ash <input type="checkbox"/>	+\$0
EV	walnut on ash <input type="checkbox"/>	+\$0

Step 9. Desk Understructure Finish

8Q	folkstone grey <input type="checkbox"/>	+\$0
91	white <input type="checkbox"/>	+\$0
G1	graphite <input type="checkbox"/>	+\$0

Step 10. Workbase Panel Finish

For low-pressure laminate (M)

8Q	folkstone grey <input type="checkbox"/>	+\$0
91	white <input type="checkbox"/>	+\$0
G1	graphite <input type="checkbox"/>	+\$0

For veneer (W)

ET	clear on ash <input type="checkbox"/>	+\$0
EU	oak on ash <input type="checkbox"/>	+\$0
EV	walnut on ash <input type="checkbox"/>	+\$0

Step 11. Workbase Storage Option

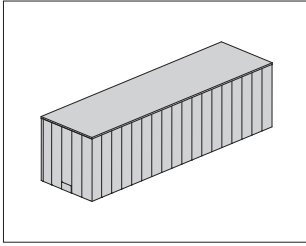
AJS	adjustable shelf <input type="checkbox"/>	+\$0
------------	---	------

Step 12. Upper Display Finish

8Q	folkstone grey <input type="checkbox"/>	+\$0
91	white <input type="checkbox"/>	+\$0
G1	graphite <input type="checkbox"/>	+\$0

Step 13. Footrest Finish

G1	graphite <input type="checkbox"/>	+\$0
SG	slate grey <input type="checkbox"/>	+\$0



Product Information

Description

This Workbase has enclosed storage that can be accessed from both sides. It is freestanding or can be connected end to end with other Locale™ modules. It has 2" leveling glides. The Workbase has 3 sections; either 3 storage sections with adjustable shelves and removable bottom shelf for access to power and cable raceway, or 2 storage sections on either side of a center power section. Doors have a push latch. The grooved panel exterior minimizes the appearance of individual doors. The panels are available in laminate or veneer. The Workbase top is 1/2" (13mm) thick, available in laminate.

The Workbase provides power and data pass through only, or modular power capability. Finished ends include a cutout cover.

Notes

Exposed end of Workbase must be finished. Unfinished ends have predrilled holes for connecting units together. Specify correct option based on Workbase orientation and number of modules connecting together. Left and right specification is defined from the side of the Workbase with the most doors. Connecting hardware included.

The wood grain for veneer Workbase panels is vertical.

For laminate (M) Workbases, the interior finish matches exterior finish.

For veneer (W) Workbases, the interior finish matches the Workbase top finish.

Finished end cutout covers for laminate (M) Workbases match the Workbase finish. For veneer (W) Workbases, finished end cutout covers match the Workbase top finish.

Workbase top electrical cutout option (G) locates cutouts and grommets on either side of the center section. This option also enables a nonpowered Workbase to accept modular power components.

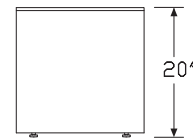
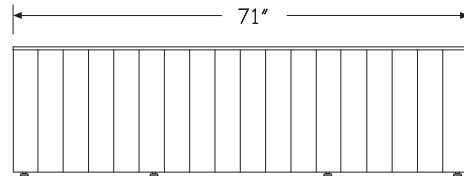
When specifying workbase screen (BRWBS.), specify Workbase accessory cutout (S) to match.

For Workbases with locks, contact Options.

Order these products separately:

- Power entry (BRE01. or BRE02.)
- Power jumper (BRE05.)
- Workbase screen (BRWBS.)
- Bench cushion (BRBC.)

Dimensions



Specification Information

Step 1.

BRWB. A

Step 2. Workbase Orientation

EE both ends finished - end/end A

EM left finished end - end/mid A

ME right finished end - mid/end A

MM both ends unfinished - mid/mid A

Step 3. Workbase Electrical Cutout

N no cutout A

G workbase top electrical cutout A

Step 4. Workbase Accessory Cutout

N no cutout A

S workbase screen cutout A

Step 5. Door Configuration

For no cutout (N)

3 alternating doors A

For workbase top electrical cutout (G)

1 front doors A

3 alternating doors A

Step 6. Workbase Panel Material

M low-pressure laminate A

W veneer A

Prices for Steps 1-6.

			N1M	N1W	N3M	N3W	S1M	S1W		
BRWB.	EE	N	—	—	\$2710	3630	—	—		
		G	\$3100	4020	3100	4020	3100	4020		
	EM	N	—	—	\$2590	3510	—	—		
		G	\$2980	3900	2980	3900	2980	3900		
	ME	N	—	—	\$2590	3510	—	—		
		G	\$2980	3900	2980	3900	2980	3900		
	MM	N	—	—	\$2565	3485	—	—		
		G	\$2955	3875	2955	3875	2955	3875		
									S3M	S3W
BRWB.	EE	N					\$2710	3630		
		G					\$3100	4020		
	EM	N					\$2590	3510		
		G					\$2980	3900		

ME	N	\$2590	3510
	G	\$2980	3900
MM	N	\$2565	3485
	G	\$2955	3875

Step 7. Workbase Panel Finish

For low-pressure laminate (M)

8Q	folkstone grey <input type="checkbox"/> A	+\$0
91	white <input type="checkbox"/> A	+\$0
G1	graphite <input type="checkbox"/> A	+\$0

For veneer (W)

ET	clear on ash <input type="checkbox"/> A	+\$0
EU	oak on ash <input type="checkbox"/> A	+\$0
EV	walnut on ash <input type="checkbox"/> A	+\$0

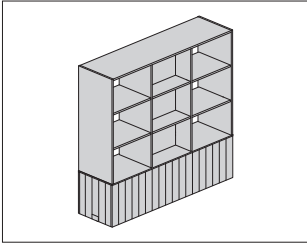
Step 8. Workbase Top Finish

8Q	folkstone grey <input type="checkbox"/> A	+\$0
91	white <input type="checkbox"/> A	+\$0
G1	graphite <input type="checkbox"/> A	+\$0

Step 9. Workbase Storage Option

AJS	adjustable shelf <input type="checkbox"/> A	+\$0
------------	---	------

Workbase with Upper Shelving BRWUS.



Product Information

Description

This Workbase with upper shelving has both open and enclosed storage that can be accessed from both sides. It is freestanding or can be connected end to end with other Locale modules. The Workbase has 2" (51mm) leveling glides and contains 3 storage compartments, each with an adjustable shelf and a removable bottom shelf for access to a power and data raceway. Doors have a push latch. The grooved panel exterior minimizes the appearance of individual doors. The Workbase panels are available in laminate or veneer. The Workbase top is 1/2" (13mm) thick, available in laminate.

The Workbase provides power and data routing. The finished ends include a cutout cover.

The upper shelving is divided into 3 sections vertically and horizontally: a middle vertical section with center divided panel, and 2 side sections with open shelving. All shelves are fixed. Available in laminate.

Notes

Exposed end of workbase must be finished. Unfinished ends have predrilled holes for connecting units together. Specify correct option based on workbase orientation and number of modules connecting together. Left and right specification is defined from the side of the Workbase with the most doors. Connecting hardware included.

The wood grain for veneer Workbase panels is vertical.

For laminate (M) Workbases, the interior finish matches exterior finish.

For veneer (W) Workbases, the interior finish matches the laminate upper shelving finish.

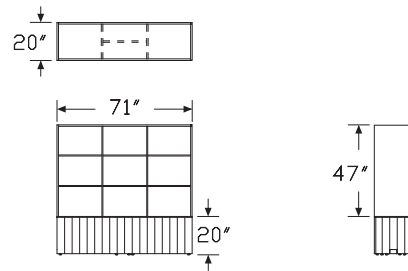
Finished end cutout covers for laminate (M) Workbases match the Workbase finish. For veneer (W) Workbases, finished end cutout covers match the laminate upper shelving finish.

For Workbases with locks, and for electrical access at the Workbase top, contact Options.

Order these products separately:

- Power entry (BRE01. or BRE02.)
- Power jumper (BRE05.)

Dimensions



Locale® Storage

Workbase with Upper Shelving

continued

Locale® Storage

Specification Information

Step 1.

BRWUS.

Step 2. Workbase Orientation

EE both ends finished - end/end

EM left finished end - end/mid

ME right finished end - mid/end

MM both ends unfinished - mid/mid

Step 3. Workbase Electrical Cutout

N no cutout

Step 4. Door Configuration

3 alternating doors

Step 5. Workbase Panel Material

M low-pressure laminate

W veneer

Step 6. Upper Shelving Material

M low-pressure laminate

Prices for Steps 1-6.

	3MM	3WM
BRWUS.EE N	\$4795	5715
EM N	\$4715	5635
ME N	\$4715	5635
MM N	\$4690	5610

Step 7. Workbase Panel Finish

For low-pressure laminate (M)

8Q folkstone grey +\$0

91 white +\$0

G1 graphite +\$0

For veneer (W)

ET clear on ash +\$0

EU oak on ash +\$0

EV walnut on ash +\$0

Step 8. Workbase Storage Option

AJS adjustable shelf +\$0

Step 9. Shelving Unit Finish

For low-pressure laminate (M)

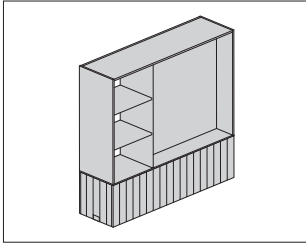
8Q folkstone grey +\$0

91 white +\$0

G1 graphite +\$0

Workbase with Partial Display

BRWUP.



Product Information

Description

This Workbase with partial display has both open and enclosed storage that can be accessed from both sides. It is freestanding or can be connected end to end with other Locale™ modules. It has 2" leveling glides. The Workbase has 3 sections; either 3 storage sections with adjustable shelves and removable bottom shelf for access to power and cable raceway, or 2 storage sections and 1 power section located at the end below the display unit. Doors have a push latch. The grooved panel exterior minimizes the appearance of individual doors. The Workbase panels are available in laminate or veneer. The Workbase top is 1/2" (13mm) thick, available in laminate.

The Workbase provides power and data pass through only, or modular power capability. Finished ends include a cutout cover.

The partial display unit is divided into 2 vertical sections and is handed.

The large display section has a center dividing panel and can hold a tackboard on either side. The smaller section has 3 fixed open shelves.

The unit is available in laminate.

Notes

Exposed end of Workbase must be finished. Unfinished ends have predrilled holes for connecting units together. Specify correct option based on desired large display orientation, Workbase orientation and number of modules connecting together. Left and right specification is defined from the side of the Workbase with the most doors. Connecting hardware included.

The wood grain for veneer Workbase panels is vertical.

For laminate (M) Workbase, the interior finish matches exterior finish.

For veneer (W) Workbase, the interior finish matches the laminate partial display finish.

Workbase top electrical cutout option (G) locates cutouts and grommets on either side of the display end section. This option also enables a nonpowered Workbase to accept modular power components.

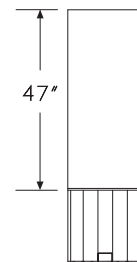
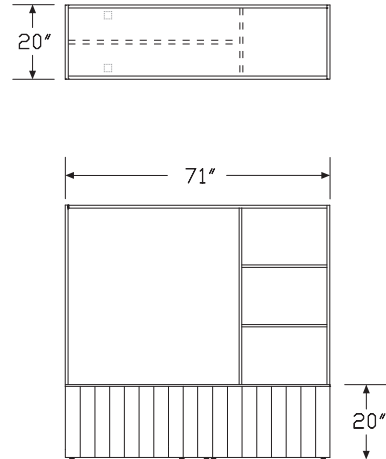
Finished end cutout covers for laminate (M) Workbase match the Workbase finish. For veneer (W) Workbase, finished end cutout covers match the laminate partial display finish.

For Workbases with locks, and for electrical access at the Workbase top, contact Options.

Order these products separately:

- Power entry (BRE01. or BRE02.)
- Power jumper (BRE05.)
- Display tackboard (BRTB.PD)

Dimensions



Locale® Storage

Workbase with Partial Display

continued

Locale® Storage

Specification Information

Step 1.

BRWUP. A

Step 2. Application

L partial display left A

R partial display right A

Step 3. Workbase Orientation

EE both ends finished - end/end A

EM left finished end - end/mid A

ME right finished end - mid/end A

MM both ends unfinished - mid/mid A

Step 4. Workbase Electrical Cutout

N no cutout A

G workbase top electrical cutout A

Step 5. Door Configuration

For no cutout (N)

3 alternating doors A

For workbase top electrical cutout (G)

1 front doors A

3 alternating doors A

Step 6. Workbase Panel Material

M low-pressure laminate A

W veneer A

Step 7. Upper Display Material

M low-pressure laminate A

Prices for Steps 1-7.

		N3MM	N3WM	G1MM	G1WM	G3MM	G3WM
BRWUP.L	EE	\$5025	5950	5415	6340	5415	6340
	EM	\$4945	5870	5335	6260	5335	6260
	ME	\$4945	5870	5335	6260	5335	6260
	MM	\$4920	5845	5310	6235	5310	6235
R	EE	\$5025	5950	5415	6340	5415	6340
	EM	\$4945	5870	5335	6260	5335	6260
	ME	\$4945	5870	5335	6260	5335	6260
	MM	\$4920	5845	5310	6235	5310	6235

Step 8. Workbase Panel Finish

For low-pressure laminate (M)

8Q folkstone grey A +\$0

91 white A +\$0

G1 graphite A +\$0

For veneer (W)

ET clear on ash A +\$0

EU oak on ash A +\$0

EV walnut on ash A +\$0

Step 9. Workbase Storage Option

AJS adjustable shelf A +\$0

Step 10. Shelving Unit Finish

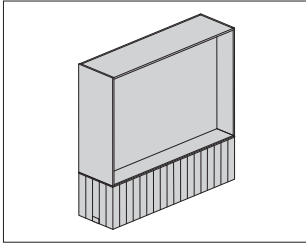
8Q folkstone grey A +\$0

91 white A +\$0

G1 graphite A +\$0

Workbase with Full Display

BRWUF.



Product Information

Description

This Workbase with full display has display and storage that can be accessed from both sides. It is a freestanding module or can be connected end to end with other Locale™ modules. It has 2" leveling glides. The Workbase has 3 sections; either 3 storage sections with adjustable shelves and removable bottom shelf for access to power and cable raceway, or 2 storage sections on either side of a center power section. Doors have a push latch. The grooved panel exterior minimizes the appearance of individual doors. The Workbase panels are available in laminate or veneer. The Workbase top is 1/2" (13mm) thick, available in laminate.

The Workbase provides power and data pass through only, or modular power capability. Finished ends include a cutout cover.

The full display unit has a center dividing panel and can hold a tackboard on either side. The unit is available in laminate.

Notes

Exposed end of Workbase must be finished. Unfinished ends have predrilled holes for connecting units together. Specify correct option based on Workbase orientation and number of modules connecting together. Left and right specification is defined from the side of the Workbase with the most doors. Connecting hardware included.

The wood grain for veneer Workbase panels is vertical.

For laminate (M) Workbase, the interior finish matches exterior finish.

For veneer (W) Workbase, the interior finish matches the laminate full display finish.

Workbase top electrical cutout option (G) locates cutouts and grommets on either side of the center section. This option also enables a nonpowered Workbase to accept modular power components.

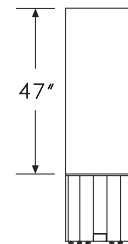
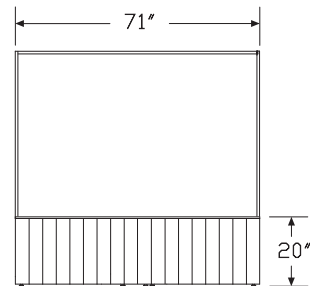
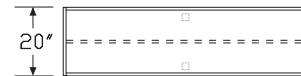
Finished end cutout covers for laminate (M) Workbase match the Workbase finish. For veneer (W) Workbase, finished end cutout covers match the laminate full display finish.

For Workbases with locks, and for electrical access at the Workbase top, contact Options.

Order these products separately:

- Power entry (BRE01. or BRE02.)
- Power jumper (BRE05.)
- Display tackboard (BRTB.FD)

Dimensions



Locale® Storage

Specification Information

Step 1.

BRWUF. A

Step 2. Workbase Orientation

EE both ends finished - end/end A

EM left finished end - end/mid A

ME right finished end - mid/end A

MM both ends unfinished - mid/mid A

Step 3. Workbase Electrical Cutout

N no cutout A

G workbase top electrical cutout A

Step 4. Door Configuration

For no cutout (N)

3 alternating doors A

For workbase top electrical cutout (G)

1 front doors A

3 alternating doors A

Step 5. Workbase Panel Material

M low-pressure laminate A

W veneer A

Step 6. Upper Display Material

M low-pressure laminate A

Prices for Steps 1-6.

		1MM	1WM	3MM	3WM
BRWUF.EE	N	—	—	\$5025	5950
	G	\$5415	6340	5415	6340
EM	N	—	—	\$4945	5870
	G	\$5335	6260	5335	6260
ME	N	—	—	\$4945	5870
	G	\$5335	6260	5335	6260
MM	N	—	—	\$4920	5845
	G	\$5310	6235	5310	6235

Step 7. Workbase Panel Finish

For low-pressure laminate (M)

8Q folkstone grey A +\$0

91 white A +\$0

G1 graphite A +\$0

For veneer (W)

ET clear on ash A +\$0

EU oak on ash A +\$0

EV walnut on ash A +\$0

Step 8. Workbase Storage Option

AJS adjustable shelf A +\$0

Step 9. Shelving Unit Finish

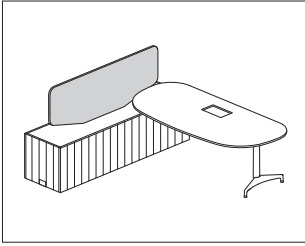
8Q folkstone grey A +\$0

91 white A +\$0

G1 graphite A +\$0

Workbase Screen

BRWBS.



Product Information

Description

This screen provides a visual privacy for the Workbase. It mounts on the center of the Workbase and extends along the length of the Workbase. It comes in 2 heights, and is available with either tackable, fabric-covered surfaces or whiteboard. Mounting hardware included.

Notes

When ordering Workbase (BRWB.) or D-desk, L-desk, T-peninsula or D/T combination modules, Workbase screen cutout option (S) must be specified.

Screen cannot be used with bench cushion (BRBC.) on the same Workbase.

For laminate (LL) screen material, edge colors are predetermined:

Laminate—Edge Color

Neutral Twill (LBF)—Sandstone (WL)

Sarum Twill (LBG)—Folkstone Grey (8Q)

Earthen Twill (LBH)—Medium Tone (MT)

Graphite Twill (LBJ)—Medium Tone (MT)

White Twill (LBQ)—White (91)

Pewter Mesh (LBK)—Warm Grey Neutral (WN)

Steel Mesh (LBL)—Slate Grey (SG)

Crisp Linen (LBM)—Folkstone Grey (8Q)

Classic Linen (LBN)—Sandstone (WL)

Casual Linen (LBP)—Warm Grey Neutral (WN)

Clear on Ash (LBA)—White (91)

Oak on Ash (LBB)—Medium Tone (MT)

Walnut on Ash (LBC)—Medium Tone (MT)

Workbase screen accepts Customer's Own Material (COM). Yardage is estimated for nondirectional 54"-wide fabrics.

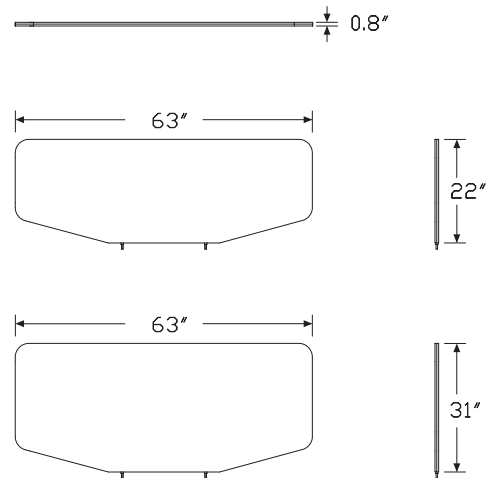
Height—Yardage

42—2.05

52—4.10

For information on multiple quantities or directional fabrics, contact COM Department. See Order Information in Appendices.

Dimensions



Specification Information

Step 1.

BRWBS.

Step 2. Height

42 42" high (1066 mm)

52 51" high (1295 mm)

Step 3. Material

For 42" high (1066 mm) (42)

FF tackable fabric

BB whiteboard

LL laminate

For 51" high (1295 mm) (52)

FF tackable fabric

LL laminate

Prices for Steps 1-3.

	FF	BB	LL
BRWBS.42	\$705	635	477
52	\$860	—	673

Step 4.

For tackable fabric (FF)

	42	52
Price Category 1	+\$0	0
Price Category 2	+\$22	44
Price Category 3	+\$44	88
Price Category 4	+\$88	176
Price Category E	+\$200	363

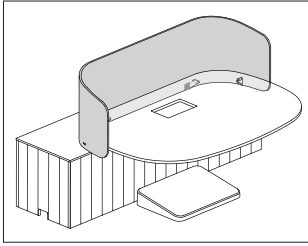
Surface Finish: Laminate Selection

For laminate (LL)

LBA	clear on ash <input type="checkbox"/>	+\$0
LBB	oak on ash <input type="checkbox"/>	+\$0
LBC	walnut on ash <input type="checkbox"/>	+\$0
LBF	neutral twill <input type="checkbox"/>	+\$0
LBG	sarum twill <input type="checkbox"/>	+\$0
LBH	earthen twill <input type="checkbox"/>	+\$0
LBJ	graphite twill <input type="checkbox"/>	+\$0
LBK	pewter mesh <input type="checkbox"/>	+\$0
LBL	steel mesh <input type="checkbox"/>	+\$0
LBM	crisp linen <input type="checkbox"/>	+\$0
LBN	classic linen <input type="checkbox"/>	+\$0
LBP	casual linen <input type="checkbox"/>	+\$0
LBQ	white twill <input type="checkbox"/>	+\$0

D-Desk Screen

BRDDS.



Product Information

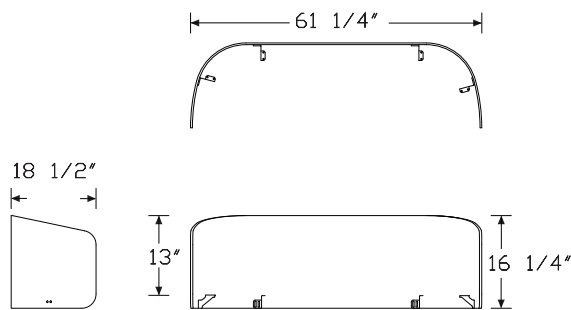
Description

This screen provides visual privacy on a D-desk. It mounts to the desk using predrilled holes. It extends 13" above, and 2 3/4" below the desk surface, and projects forward 18 1/2" on either side of the surface. The screen comes in 2 pieces which attach together with ganging hardware to make a complete, double curved screen. It has a tackable interior surface with fabric on both sides. Mounting hardware included.

Notes

Mounting position provides an 1 1/16" gap between the screen and D-desk surface for cord routing. Attachment brackets support cord routing.
 D-desk screen is not compatible with Workbase screen (BRWBS.).

Dimensions



Specification Information

Step 1.

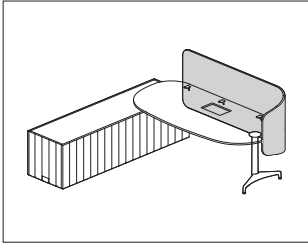
BRDDS. [A] \$1605

Step 2. Fabric

Price Category 1 +\$0
 Price Category 2 +\$28
 Price Category 4 +\$110

L-Desk Screen

BRLDS.



Product Information

Description

This screen provides visual privacy to the L-desk. It is mounted to the desk using predrilled holes. It is 24 1/2" (625mm) high, extending 13 1/4" (337mm) above the desk surface and providing partial modesty of approximately 10" (254mm) below the surface. It comes in left or right orientation, and has a tackable interior surface with fabric on both sides. Mounting hardware included.

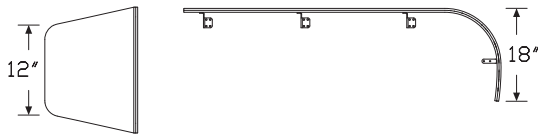
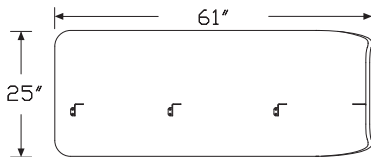
Notes

Specify screen orientation to match L-desk orientation.

Upon mounting, a 5/8" (17mm) gap is created between the screen and L-desk surface for cord routing.

The L-desk mounting hardware accommodates a standard US plug for cord routing.

Dimensions



Specification Information

Step 1.

BRLDS. A

Step 2. Orientation

L left A

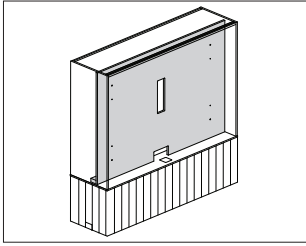
R right A

Prices for Steps 1-2.

BRLDS. L	\$940
R	\$940

Step 3. Fabric

Price Category 1	+\$0
Price Category 2	+\$28
Price Category 4	+\$110



Product Information

Description

This monitor kit mounts inside the display section of a Locale® module with full or partial display. It supports a wall mount monitor bracket (supplied by others), creates an offset from the center spine of the display section, and has a cutout for monitor cord routing. Power is available through access to modular receptacles located in the Workbase. Cords route through the cutout concealed in the offset and down through a field-cut grommet in the top of the Workbase.

Notes

See planning guide for application details including mounting monitors on both sides of a display unit, modular power planning, cable routing and restrictions.

Display kit can be mounted on either side of a workbase with full display (BRWUF) or Workbase with partial display (BRWUP). 1 support kit can support monitors mounted on either side of the Workbase with full or partial display.

For desk modules with full or partial displays, the support kit mounts opposite a single sided D-, L-, or T- module (BRDSF, BRLSP, BRTSF). Monitors cannot be mounted on the desk side of a height adjustable desk module.

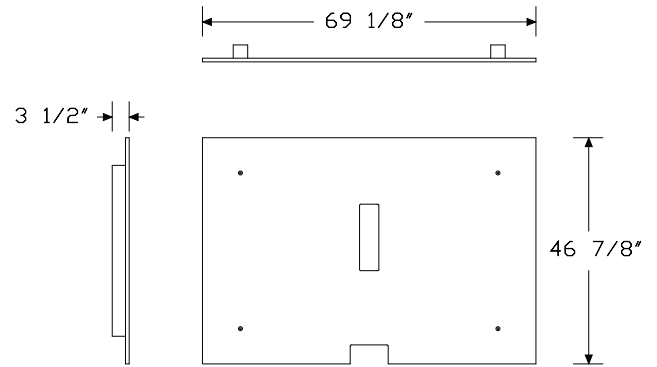
To cover both sides of the display unit, order Locale display tackboards (BRTB.) appropriate to the application. Specify a tackboard with monitor cutout option (MF or MP) where the monitor will be mounted.

For Workbases with full or partial displays, the Workbase top electrical cutout option (G) must be selected to support modular power components within the Workbase.

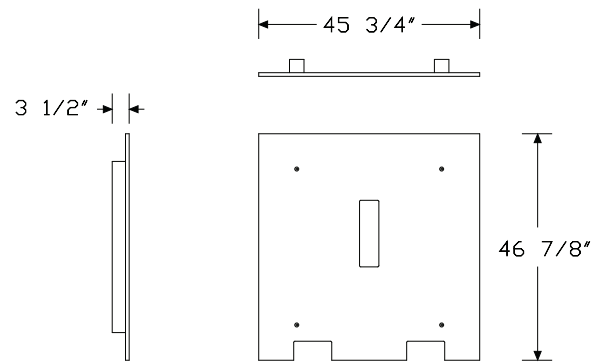
For desk modules, specify the desk top and Workbase top electrical cutout option (G).

See installation instructions for details about the field-cut cord grommet.

Dimensions



Full Display



Partial Display

Display Monitor Support Kit

continued

Locale® Screens and Display

Specification Information

Step 1.

BRMS.

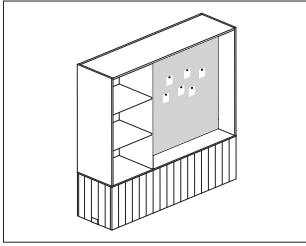
Step 2. Display Unit Type

PD partial display

FD full display

Prices for Steps 1-2.

BRMS. PD	\$563
FD	\$635



Product Information

Description

This display tackboard fits inside a Workbase partial or full display. It has a fabric-covered tackable surface and is available with a cutout for a wall mount monitor and support kit. Tackboard mounting hardware included.

Notes

When a display monitor support kit (BRMS.) is used, a tackboard is required on both sides of the display unit.

Order display monitor support kit (BRMS.) separately.

Display tackboard accepts Customer's Own Material (COM). Yardage is estimated for nondirectional 54"-wide fabrics.

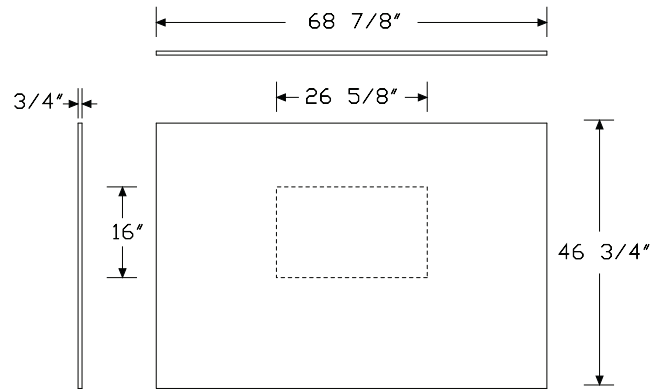
Display unit type—Yardage

FD—2.37

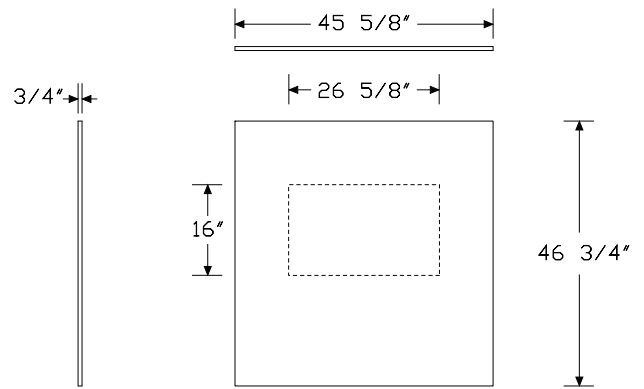
PD—1.61

For information on multiple quantities or directional fabrics, contact COM Department. See Order Information in Appendices.

Dimensions



Full Display with Monitor Cutout (MF)



Partial Display with Monitor Cutout (MP)

Specification Information

Step 1.

BRTB.

Step 2. Display Unit Type

PD partial display

MP monitor display kit partial display

FD full display

MF monitor display kit full display

Prices for Steps 1-2.

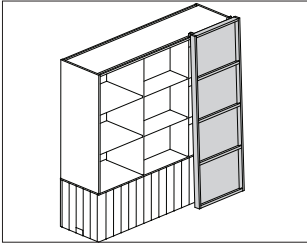
BRTB. PD	\$350
MP	\$415
FD	\$435
MF	\$500

Step 3. Fabric

	PD	MP	FD	MF
Price Category 1	+\$0	0	0	0
Price Category 2	+\$22	22	25	25
Price Category 3	+\$44	44	50	50
Price Category 4	+\$88	88	99	99
Price Category 5	+\$103	103	140	140

Rolling Magazine Rack

BRRM.

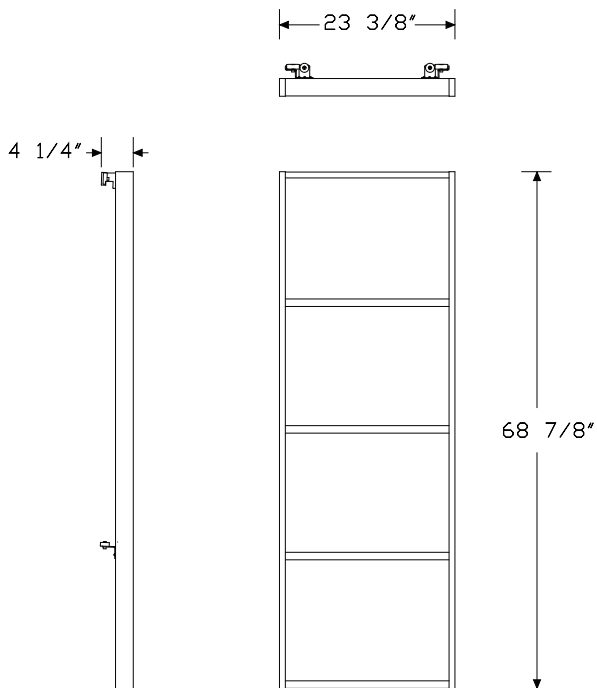


Product Information

Description

This rolling panel mounts and rolls along the top track on any shelving, full display or partial display. It has ledges to support various materials for display and access. Each rack provides a storage ledge that is 1 1/4" (31.6mm) deep and 17" (430mm) high. Mounting hardware included.

Dimensions



Specification Information

Step 1.

BRRM. [A]

Step 2. Material

W veneer [A]

Prices for Steps 1-2.

BRRM. W \$2475

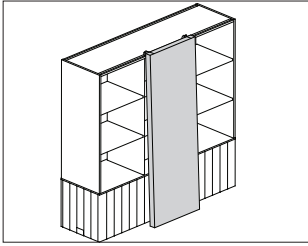
Step 3. Finish

ET	clear on ash [A]	+\$0
EU	oak on ash [A]	+\$0
EV	walnut on ash [A]	+\$0

Locale® Screens and Display

Rolling Whiteboard

BRRW.



Product Information

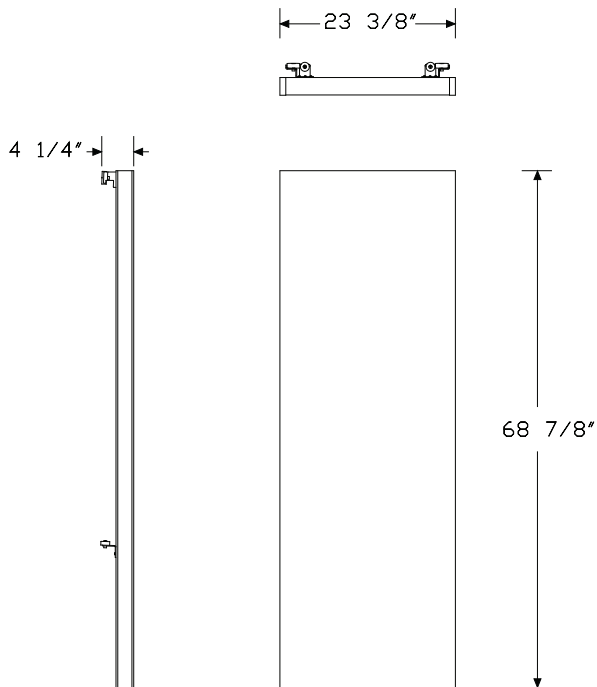
Description
This rolling panel mounts and rolls along the top track on any shelving, full display or partial display module. It has a writable laminate surface. Mounting hardware included.

Specification Information

Step 1.
BRRW. [A] \$1300

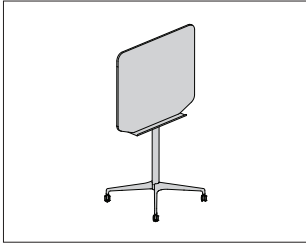
Dimensions

Locale® Screens and Display



Mobile Easel

BRES.



Product Information

Description

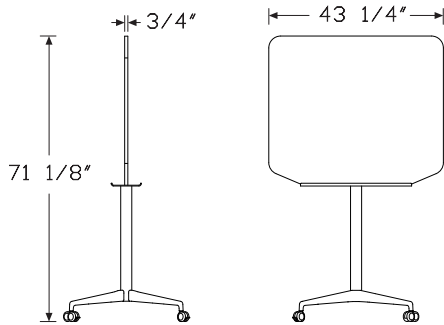
This dual-sided easel has whiteboard surfaces on each side with a squared vinyl edge. The included metal marker and eraser ledge extends on both sides. The easel has 4 casters, 2 locking and 2 non-locking.

Notes

Vinyl edge color is folkstone grey (8Q).

For use with large writing pads, order peg hangers (BRHP.ES) separately.

Dimensions



Specification Information

Step 1.

BRES. A

Step 2. Material

BB whiteboard A

Prices for Steps 1-2.

BRES. BB \$1410

Step 3. Column/Leg Finish

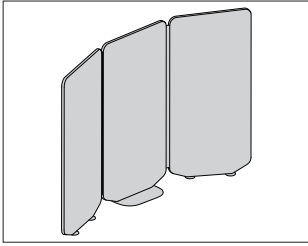
8Q folkstone grey A + \$0

91 white A + \$0

G1 graphite A + \$0

Freestanding Screen

BRFS.



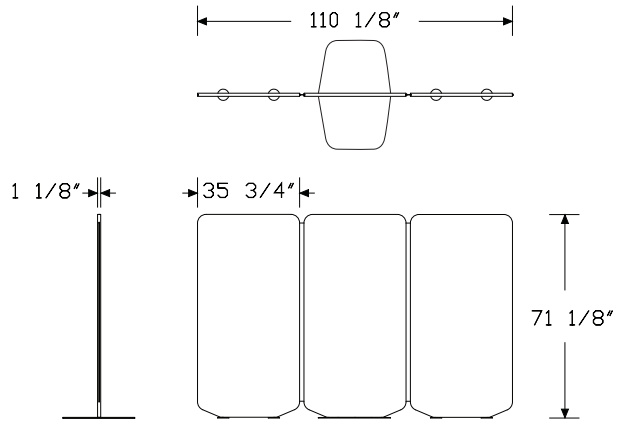
Locale® Screens and Display

Product Information

Description
 This 3-panel folding screen has fabric-covered tackable panels, fabric hinges, and a steel base. The folding end panels include adjustable disk glides allowing a user to set the angle of the side panels and adjust to level. The fabric hinge allows the end panels to fold around the center panel for relocation and storage. Hardware included.

Notes
 Recommended use is with side panels angled at 120° for space delineation.
 Hinges and base are slate grey.
 Freestanding screen accepts Customer's Own Material (COM). Yardage is estimated for nondirectional 54"-wide fabrics. Order 4.80 yards of fabric per screen. For information on multiple quantities or directional fabrics, contact COM department. See order information in appendices.

Dimensions



Specification Information

Step 1.

BRFS. A

Step 2. Configuration

A all panels same fabric A

Prices for Steps 1-2.

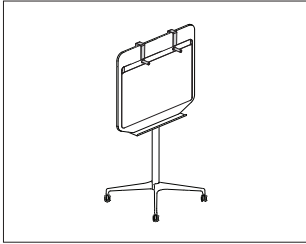
BRFS. A \$4687

Step 3. Fabric

Price Category 1	+\$0
Price Category 2	+\$58
Price Category 3	+\$116
Price Category 4	+\$174
Price Category E	+\$178

Peg Hangers (Pair)

BRHP.

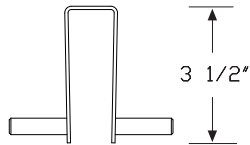
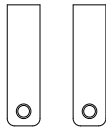
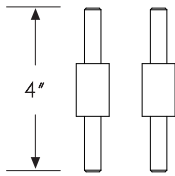


Product Information

Description

These pegs slide over the top of a Locale® mobile easel providing a place to hang a large writing tablet. The pegs can be repositioned and removed as needed. Package of 2.

Dimensions



Specification Information

Step 1.

BRHP.

Step 2. Type

ES easel

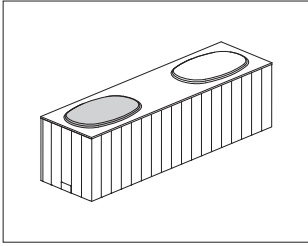
Prices for Steps 1-2.

BRHP. ES

\$110

Bench Cushion

BRBC.



Product Information

Description

This oval cushion provides additional seating on a Workbase top. Nonskid pads included.

Notes

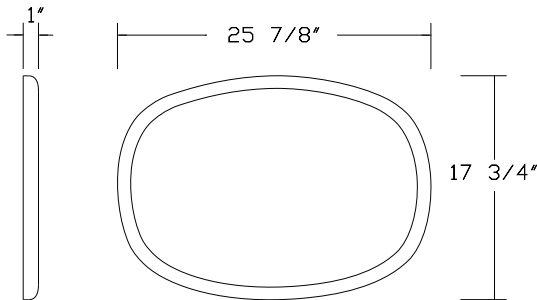
Order 2 cushions to create a bench out of a Workbase (BRWB.), ordered separately.

Order one cushion to create a perch at the end of an L-Desk Workbase.

Bench cushion cannot be used with Workbase screen (BRWBS.) on the same Workbase.

Cushion accepts Customer's Own Material (COM). Yardage is estimated for nondirectional 54"-wide fabrics. Order 0.75 yards of fabric per cushion. For information on multiple quantities or directional fabrics, contact COM Department. See Order Information in Appendices.

Dimensions



Specification Information

Step 1.

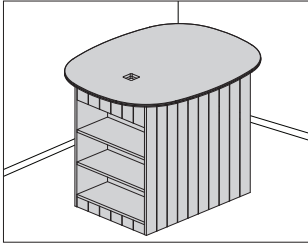
BRBC. [A] \$195

Step 2. Fabric

Price Category 1	+\$0
Price Category 2	+\$68
Price Category 3	+\$94
Price Category 4	+\$120
Price Category 5	+\$120

Refreshment Center

BRRC.



Product Information

Description

This refreshment center serves as a storage element, a beverage center holder and a standing-height table. Open shelves provide storage on 1 side. Opposite the shelves is a large opening for a beverage or snack dispenser. A grommet at the back of the large opening supports the routing of power cords to building power outlets. The top has a power access grommet to route power cords from the surface top to the building power supply.

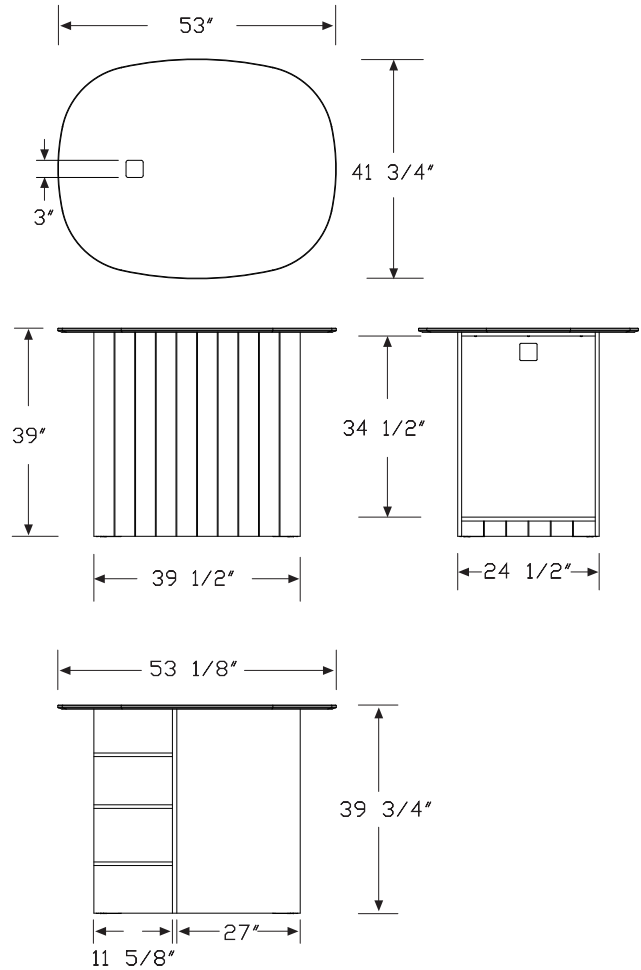
Notes

Unit is nonpowered.

Under-counter opening has interior dimensions of 27"W x 25 1/2"D x 34 5/8"H.

For power integration, cable routing options and other custom accommodations, contact HermanMiller Options.

Dimensions

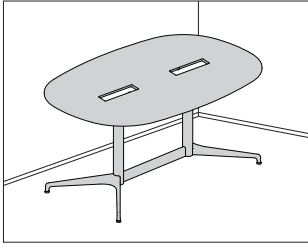


Locale® Accessories

Specification Information				
Step 1.				
B	R	R	C	
Step 2. Top Power Access Grommet				
G	grommet <input type="checkbox"/>			
Step 3. Surface Material				
T	formcoat® <input type="checkbox"/>			
Step 4. Exterior Panel Material				
M	low-pressure laminate <input type="checkbox"/>			
W	veneer <input type="checkbox"/>			
Prices for Steps 1-4.				
			M	W
B	R	R	C	
	G	T		
				\$4300 4625
Step 5. Surface Finish				
8	Q	folkstone grey <input type="checkbox"/>		+\$0
9	1	white <input type="checkbox"/>		+\$0
Step 6. Exterior Panel Finish				
<i>For low-pressure laminate (M)</i>				
8	Q	folkstone grey <input type="checkbox"/>		+\$0
9	1	white <input type="checkbox"/>		+\$0
G	1	graphite <input type="checkbox"/>		+\$0
<i>For veneer (W)</i>				
E	T	clear on ash <input type="checkbox"/>		+\$0
E	U	oak on ash <input type="checkbox"/>		+\$0
E	V	walnut on ash <input type="checkbox"/>		+\$0

Double Column Table

BRDCT.



Product Information

Description

This double column table has an oval top. The 3/4" thick top is available in squared edge laminate or veneer, or thin edge Formcoat®. Surfaces are available with or without a cutout and tray grommet. The tray grommet has a small depressed tray area to hold small objects. Grommet includes a pass-through hole with gaskets for a power component or cords to route through the table. A power cord or data cable may be routed through the table column during installation.

Tables are available with adjustable glides or casters. The caster option includes 2 locking and 2 non-locking casters. Shipped knocked down.

Notes

For laminate (L) surface material, edge colors are predetermined:

Laminate—Edge Color

Neutral Twill (LBF)—Sandstone (WL)

Sarum Twill (LBG)—Folkstone Grey (8Q)

Earthen Twill (LBH)—Medium Tone (MT)

Graphite Twill (LBJ)—Medium Tone (MT)

White Twill (LBQ)—White (g1)

Pewter Mesh (LBK)—Warm Grey Neutral (WN)

Steel Mesh (LBL)—Slate Grey (SG)

Crisp Linen (LBM)—Folkstone Grey (8Q)

Classic Linen (LBN)—Sandstone (WL)

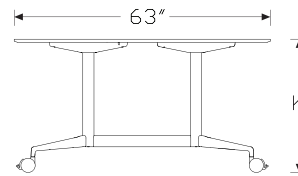
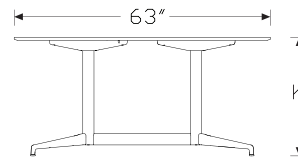
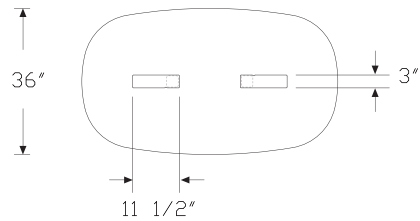
Casual Linen (LBP)—Warm Grey Neutral (WN)

Clear on Ash (LBA)—White (g1)

Oak on Ash (LBB)—Medium Tone (MT)

Walnut on Ash (LBC)—Medium Tone (MT)

Dimensions



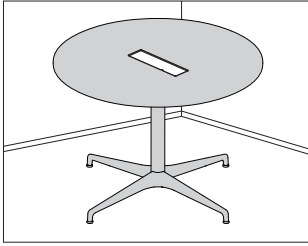
Locale® Tables

Specification Information								
Step 1.								
BRDCT. <input type="checkbox"/>								
Step 2. Depth								
V09	36"	(900mm)	oval	<input type="checkbox"/>				
V10	42"	(1066mm)	oval	<input type="checkbox"/>				
Step 3. Width								
<i>For 36" (900mm) oval (V09)</i>								
16	60"	(1600mm)	oval	<input type="checkbox"/>				
18	72"	(1800mm)	oval	<input type="checkbox"/>				
<i>For 42" (1066mm) oval (V10)</i>								
18	72"	(1800mm)	oval	<input type="checkbox"/>				
Step 4. Electrical Cutout Type								
N	no cutout <input type="checkbox"/>							
T	tray with cutout <input type="checkbox"/>							
Step 5. Surface Material								
L	laminate <input type="checkbox"/>							
T	formcoat® <input type="checkbox"/>							
W	veneer <input type="checkbox"/>							
Prices for Steps 1-5.								
		NL	NT	NW	TL	TT	TW	
BRDCT. V09	16	\$1600	1740	2700	1868	2008	2968	
	18	\$1875	2030	2975	2143	2298	3243	
	V10	18	\$2160	2330	3260	2428	2598	3528
Step 6. Casters/Glides								
C	casters <input type="checkbox"/>						+\$30	
G	glides <input type="checkbox"/>						+\$0	

Step 7. Table Top Finish		
<i>For laminate (L)</i>		
8Q	folkstone grey <input type="checkbox"/>	+\$0
91	white <input type="checkbox"/>	+\$0
LBA	clear on ash <input type="checkbox"/>	+\$0
LBB	oak on ash <input type="checkbox"/>	+\$0
LBC	walnut on ash <input type="checkbox"/>	+\$0
LBF	neutral twill <input type="checkbox"/>	+\$0
LBG	sarum twill <input type="checkbox"/>	+\$0
LBH	earthen twill <input type="checkbox"/>	+\$0
LBJ	graphite twill <input type="checkbox"/>	+\$0
LBK	pewter mesh <input type="checkbox"/>	+\$0
LBL	steel mesh <input type="checkbox"/>	+\$0
LBM	crisp linen <input type="checkbox"/>	+\$0
LBN	classic linen <input type="checkbox"/>	+\$0
LBP	casual linen <input type="checkbox"/>	+\$0
LBQ	white twill <input type="checkbox"/>	+\$0
<i>For formcoat® (T)</i>		
8Q	folkstone grey <input type="checkbox"/>	+\$0
91	white <input type="checkbox"/>	+\$0
<i>For veneer (W)</i>		
ET	clear on ash <input type="checkbox"/>	+\$0
EU	oak on ash <input type="checkbox"/>	+\$0
EV	walnut on ash <input type="checkbox"/>	+\$0
Step 8. Column/Leg Finish		
8Q	folkstone grey <input type="checkbox"/>	+\$0
91	white <input type="checkbox"/>	+\$0
G1	graphite <input type="checkbox"/>	+\$0
Step 9. Tray Grommet Finish		
<i>For tray with cutout (T)</i>		
91	white <input type="checkbox"/>	+\$0
G1	graphite <input type="checkbox"/>	+\$0

Single Column Table

BR SCT.



Product Information

Description

This single column table has a round or soft square top. The 3/4" thick top is available in squared edge laminate or veneer, or thin edge Formcoat®. Surfaces are available with or without a cutout and tray grommet. The tray grommet has a small depressed tray area to hold small objects. Grommet includes a pass-through hole with gaskets for a power component or cords to route through the table. A power cord or data cable may be routed through the table column during installation. Tables are available with adjustable glides in 22" lounge height, 29" seated height, or 41 1/2" standing height. Seated height tables are available with optional casters including 2 locking and 2 non-locking. Shipped knocked down.

Notes

For laminate (L) surface material, edge colors are predetermined:

Laminate—Edge Color

Neutral Twill (LBF)—Sandstone (WL)

Sarum Twill (LBG)—Folkstone Grey (8Q)

Earthen Twill (LBH)—Medium Tone (MT)

Graphite Twill (LBJ)—Medium Tone (MT)

White Twill (LBQ)—White (g1)

Pewter Mesh (LBK)—Warm Grey Neutral (WN)

Steel Mesh (LBL)—Slate Grey (SG)

Crisp Linen (LBM)—Folkstone Grey (8Q)

Classic Linen (LBN)—Sandstone (WL)

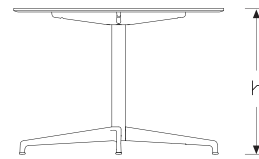
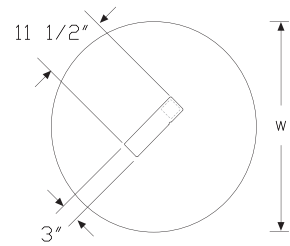
Casual Linen (LBP)—Warm Grey Neutral (WN)

Clear on Ash (LBA)—White (g1)

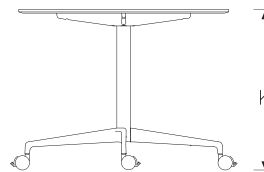
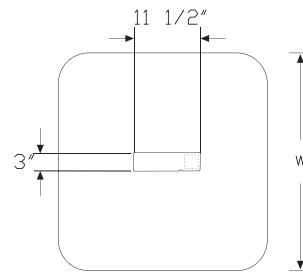
Oak on Ash (LBB)—Medium Tone (MT)

Walnut on Ash (LBC)—Medium Tone (MT)

Dimensions



Round Table



Soft Square Table

Single Column Table *continued*

Locale® Tables

Specification Information

Step 1.

BR SCT. A

Step 2. Size

R09 36" (900mm) round A

S09 36" (900mm) soft square A

R10 42" (1066mm) round A

S10 42" (1066mm) soft square A

Step 3. Height

For 36" (900mm) round (R09) or 36" (900mm) soft square (S09)

05 22" high (560mm) A

07 29" high (740mm) A

10 41.5" high (1055mm) A

For 42" (1066mm) round (R10) or 42" (1066mm) soft square (S10)

07 29" high (740mm) A

Step 4. Electrical Cutout Type

N no cutout A

T tray with cutout A

Step 5. Surface Material

L laminate A

T formcoat® A

W veneer A

Prices for Steps 1-5.

	NL	NT	NW	TL	TT	TW
BR SCT. R09 05	\$1015	1080	1515	1149	1214	1649
07	\$1000	1065	1500	1134	1199	1634
10	\$1045	1110	1545	1179	1244	1679
S09 05	\$1015	1080	1740	1149	1214	1874
07	\$1000	1065	1725	1134	1199	1859
10	\$1045	1110	1770	1179	1244	1904
R10 07	\$1065	1160	1965	1199	1294	2099
S10 07	\$1065	1160	1965	1199	1294	2099

Step 6. Casters/Glides

For 22" high (560mm) (05) or 41.5" high (1055mm) (10)

G glides A +\$0

For 29" high (740mm) (07)

C casters A +\$30

G glides A +\$0

Step 7. Table Top Finish

For laminate (L)

8Q folkstone grey A +\$0

91 white A +\$0

LBA clear on ash A +\$0

LBB oak on ash A +\$0

LBC walnut on ash A +\$0

LBF neutral twill A +\$0

LBG sarum twill A +\$0

LBH earthen twill A +\$0

LBJ graphite twill A +\$0

LBK pewter mesh A +\$0

LBL steel mesh A +\$0

LBM crisp linen A +\$0

LBN classic linen A +\$0

LBP casual linen A +\$0

LBQ white twill A +\$0

For formcoat® (T)

8Q folkstone grey A +\$0

91 white A +\$0

For veneer (W)

ET clear on ash A +\$0

EU oak on ash A +\$0

EV walnut on ash A +\$0

Step 8. Column/Leg Finish

8Q folkstone grey A +\$0

91 white A +\$0

G1 graphite A +\$0

Step 9. Tray Grommet Finish

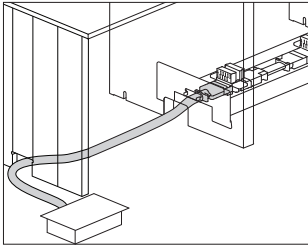
For tray with cutout (T)

91 white A +\$0

G1 graphite A +\$0

Modular Power Entry

BRE01.



Product Information

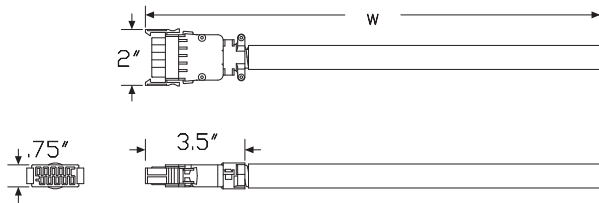
Description

This power entry connects a buildings electrical supply from a wall, floor, or column to the power block within a Workbase unit of a Locale® module. Available in either 8- or 10-wire modular power, it enters beneath or from the left or right end of a Locale Workbase unit. It includes a cable that can be field cut to the appropriate length. UL listed and Canadian UL listed.

Notes

A licensed electrician must wire power entry.

Dimensions



Specification Information

Step 1.

BRE01.

Step 2. Wire Configuration

08 8 wire

10 10 wire

Step 3. Cord Length

06 6' long

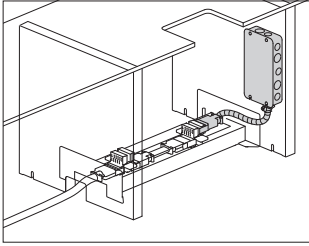
10 10' long

20 20' long

Prices for Steps 1-3.

	06	10	20
BRE01. 08	\$200	341	491
10	\$219	372	541

Locale® Power



Product Information

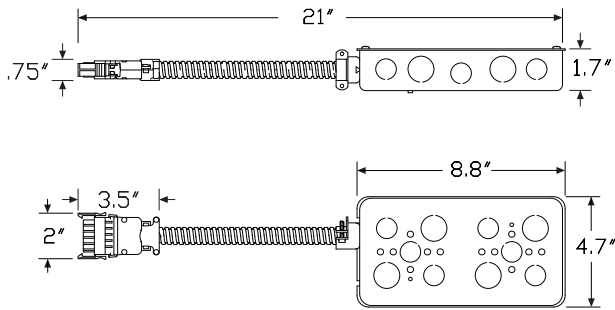
Description
 This power entry connects a buildings electrical supply from a wall, floor, or column to the power block within a Workbase unit of a Locale® module. Available in either 8- or 10-wire modular power to meet New York City electrical codes. It includes a junction box and harness. The junction box is mounted inside the Workbase. Contractor-supplied conduit, wire, and fittings enter beneath or from the left or right end of a Locale Workbase unit. It includes a cable that can be field cut to the appropriate length. Power entry is UL listed and Canadian UL listed.

Notes

A licensed electrician must wire power entry.

Dimensions

Locale® Power



Specification Information

Step 1.

BRE02. [A]

Step 2. Wire Configuration

08 8 wire [A]

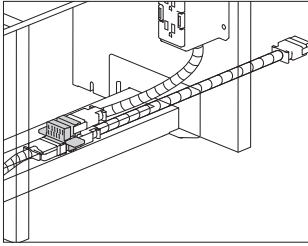
10 10 wire [A]

Prices for Steps 1-2.

BRE02. 08	\$266
10	\$306

Power Block

BRE03.



Product Information

Description

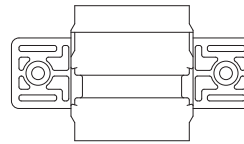
This power block connects modular power receptacles, jumpers, and power entry within a Locale® Workbase unit. The power block is specified with 4 or 8 ports and is available for either 8-wire or 10-wire. It mounts in the center portion of a Locale Workbase, or in the column section of a Locale Workbase desk module. UL listed and Canadian UL listed.

Notes

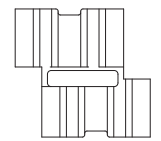
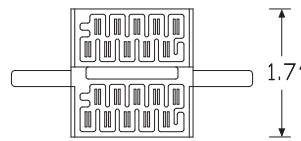
Specifying a 4-port power block provides ports for 2 duplex receptacles. The 8-port block is 2 4-port blocks connected by a short jumper, and provides ports for 4 duplex receptacles.

Dimensions

3.2"

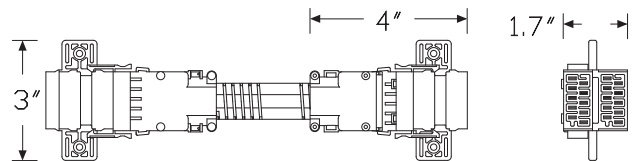
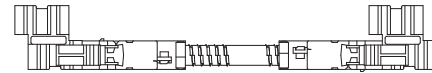


1.8"



4-Port

11"



8-Port With Short Jumper

Specification Information

Step 1.

BRE03. A

Step 2. Wire Configuration

08 8 wire A

10 10 wire A

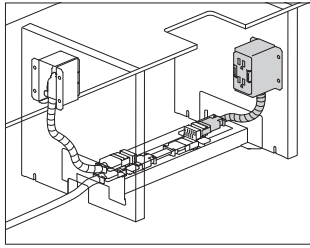
Step 3. Type

04 4 port A

08 8 port A

Prices for Steps 1-3.

	04	08
BRE03. 08	\$30	120
10	\$30	120

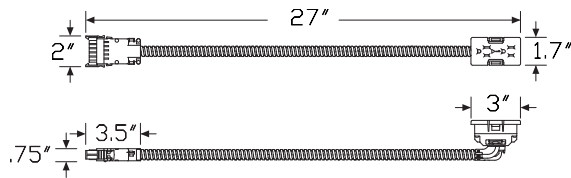


Product Information

Description

This duplex receptacle harness snaps into an 8-wire, 4-circuit, shared neutral power block or a 10-wire, 4-circuit, separate neutral power block to provide power to equipment inside the Workbase. The duplex is a standard 15-amp rated receptacle. Package contains 1 duplex receptacle. Receptacle is UL listed and Canadian UL listed.

Dimensions



Specification Information

Step 1.

BRE04. A

Step 2. Wire Configuration

08 8 wire A

10 10 wire A

Step 3. Duplex Type

For 8 wire (08)

- AN** circuit a - shared neutral, 8 wire A
- BN** circuit b - shared neutral, 8 wire A
- CN** circuit c - shared neutral, 8 wire A
- DN** circuit d - shared neutral, 8 wire A
- AG** circuit a - shared neutral isolated ground, 8 wire A
- BG** circuit b - shared neutral isolated ground, 8 wire A
- CG** circuit c - shared neutral isolated ground, 8 wire A
- DG** circuit d - shared neutral isolated ground, 8 wire A

For 10 wire (10)

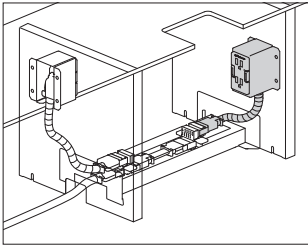
- 1N** circuit 1 - separate neutral, 10 wire A
- 2N** circuit 2 - separate neutral, 10 wire A
- 3N** circuit 3 - separate neutral, 10 wire A
- 4N** circuit 4 - separate neutral, 10 wire A
- 1G** circuit 1 - separate neutral isolated ground, 10 wire A
- 2G** circuit 2 - separate neutral isolated ground, 10 wire A
- 3G** circuit 3 - separate neutral isolated ground, 10 wire A
- 4G** circuit 4 - separate neutral isolated ground, 10 wire A

Prices for Steps 1-3.

	1N	AN	2N	BN	3N	CN
BRE04. 08	—	\$130	—	130	—	130
10	\$130	—	130	—	130	—
	4N	DN	1G	AG	2G	BG
BRE04. 08	—	\$130	—	138	—	138
10	\$130	—	138	—	138	—
		3G	CG	4G	DG	
BRE04. 08		—	\$138	—	138	
10		\$138	—	138	—	

Step 4. Duplex Color

BK black A +\$0

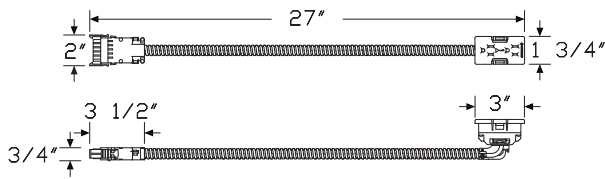


Product Information

Description

This receptacle is to be used for ASHRAE90.1 and Title 24 compliance. A controlled receptacle should be used for any receptacles that are under automated control by the energy management system. The duplex receptacle harness snaps into an 8-wire, 4-circuit, shared neutral power block or a 10-wire, 4-circuit, separate neutral power block to provide power to equipment inside the Workbase. The duplex is a standard 15-amp rated receptacle. Package contains 1 duplex receptacle. Receptacle is UL listed and Canadian UL listed.

Dimensions



Locale® Power

Specification Information

Step 1.

BRE04M. A

Step 2. Wire Configuration

08 8 wire A

10 10 wire A

Step 3. Duplex Type

For 8 wire (08)

AN circuit a - shared neutral, 8 wire A

BN circuit b - shared neutral, 8 wire A

CN circuit c - shared neutral, 8 wire A

DN circuit d - shared neutral, 8 wire A

AG circuit a - shared neutral isolated ground, 8 wire A

BG circuit b - shared neutral isolated ground, 8 wire A

CG circuit c - shared neutral isolated ground, 8 wire A

DG circuit d - shared neutral isolated ground, 8 wire A

For 10 wire (10)

1N circuit 1 - separate neutral, 10 wire A

2N circuit 2 - separate neutral, 10 wire A

3N circuit 3 - separate neutral, 10 wire A

4N circuit 4 - separate neutral, 10 wire A

1G circuit 1 - separate neutral isolated ground, 10 wire A

2G circuit 2 - separate neutral isolated ground, 10 wire A

3G circuit 3 - separate neutral isolated ground, 10 wire A

4G circuit 4 - separate neutral isolated ground, 10 wire A

Prices for Steps 1-3.

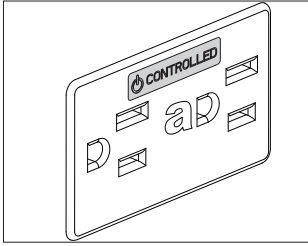
	1N	AN	2N	BN	3N	CN
BRE04M. 08	—	\$130	—	130	—	130
10	\$130	—	130	—	130	—
	4N	DN	1G	AG	2G	BG
BRE04M. 08	—	\$130	—	138	—	138
10	\$130	—	138	—	138	—
		3G	CG	4G	DG	
BRE04M. 08		—	\$138	—	138	
10		\$138	—	138	—	

Step 4. Duplex Color

BK black A +\$0

Controlled Receptacle Decal
(12 per sheet)

G9999.

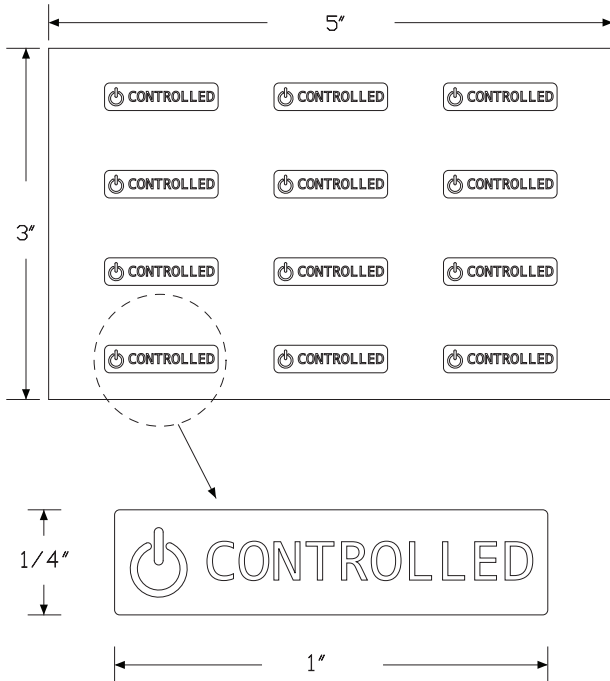


Product Information

Description

This decal is to be used for ASHRAE90.1 and Title 24 compliance. The decal is used to mark standard receptacles (new or existing) that are under automated control by the energy management system. 1 sheet includes 12 clear decals with white or black print.

Dimensions



Specification Information

Step 1.

G9999. A

Step 2. Color

B black print A

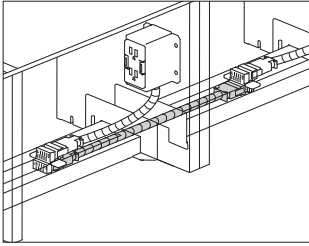
W white print A

Prices for Steps 1-2.

G9999. B	\$8
W	\$8

Block-to-Block Jumper

BRE05.



Product Information

Description

This jumper connects one power block to another to extend power through a run of Locale® Workbases. It is available for either 8-wire shared neutral, or 10-wire separate neutral configurations. UL listed and Canadian UL listed.

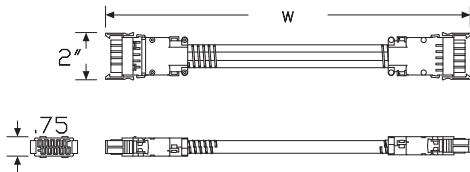
Notes

Jumpers connect both 4-port and 8-port power blocks except when the power blocks are in immediately adjacent Workbase sections. Specify 24"-wide jumper (00) to connect 4-port power blocks in adjacent Workbase sections. Specify 12"-wide jumper (10) to connect 8-port power blocks in adjacent Workbase sections.

Select the appropriate length jumper by measuring the distance between centerlines of the power blocks to be connected.

See Planning Guide for details on specifying power through Locale Workbases.

Dimensions



Specification Information

Step 1.

BRE05. A

Step 2. Wire Configuration

08 8 wire A

10 10 wire A

Step 3. Width

00 2' (24" or 600mm) extends between 4-port power blocks A

01 4' (48" or 1200mm) A

02 6' (72" or 1800mm) A

03 8' (96" or 2400mm) A

04 10' (120" or 3000mm) A

05 12' (144" or 3600mm) A

06 14' (168" or 4200mm) A

07 16' (192" or 4800mm) A

08 18' (216" or 5400mm) A

09 20' (240" or 6000mm) A

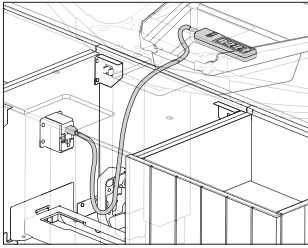
10 1' (12" or 300mm) extends between 8-port power blocks A

Prices for Steps 1-3.

	00	01	02	03	04	05
BRE05. 08	\$63	103	128	150	172	200
10	\$69	116	141	166	188	222
	06	07	08	09	10	
BRE05. 08	\$231	263	297	328	63	
10	\$253	291	328	359	69	

Power Plug Strip

BRE06.



Product Information

Description

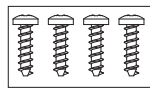
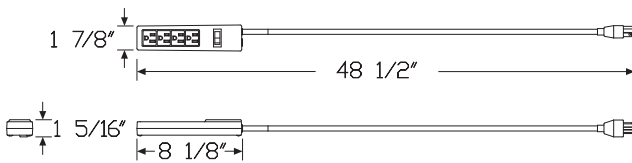
This corded power strip provides 4 receptacles for user accessible power within the cable management tray. It plugs directly into a power receptacle (BRE04.) in a Workbase and mounts in the cable management tray of a Locale™ desk. It is UL listed and CSA certified. Mounting hardware included.

Notes

To finish the work surface power access cutout, order the following products separately:

- Logic grommet mounted electrical distributor (Y1425.), or
- Logic grommet pass thru (Y1420.)

Dimensions



Screw Pack

Specification Information

Step 1.

BRE06. A

Step 2. Configuration

A 4 AC outlets A

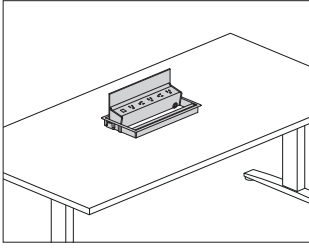
Step 3. Cord Length

10 10' cord length A

Prices for Steps 1-3.

	10
BRE06. A	\$60

Logic G1000 Grommet Mounted Electrical Distributor Y1425.



Product Information

Description

This Logic Power Access Solutions™ grommet mounted electrical distributor comes in several widths and configurations of simplex receptacles and USB charging ports. The unit is powered using a standard power cord with plug end, a hard-wired connection with electrical conduit, or an IEC connector when used with Renew™ Sit-to-Stand tables. An integrated cord keeper at the face of the unit captures data cords. The unit pivots from a closed position to 135° allowing easy access to power and data cords stored beneath the unit. Product is UL listed.

Notes

Field cutting of grommet cutout is possible; factory cutouts are recommended.

IEC connector for Renew power type (C) includes short cord designed to connect to the Renew table power cord through-leg option. Actual cord length may vary.

Simplex receptacles have alternating orientation and greater than normal plug spacing to accommodate most plug types.

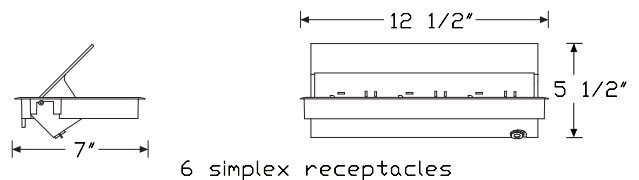
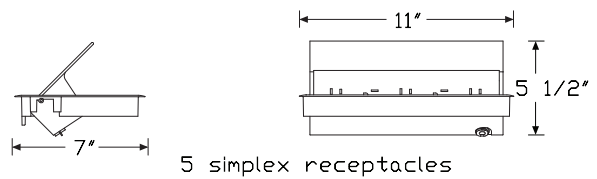
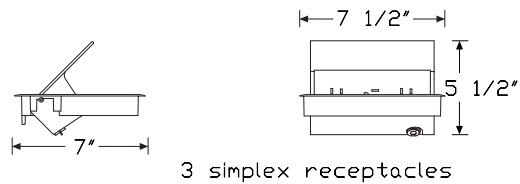
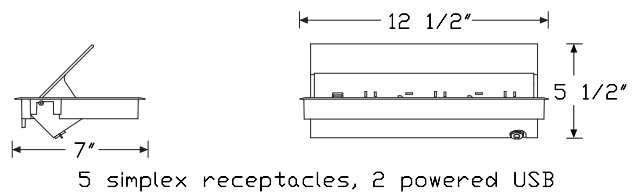
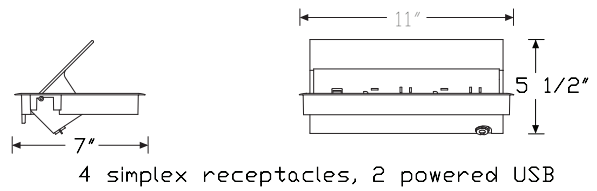
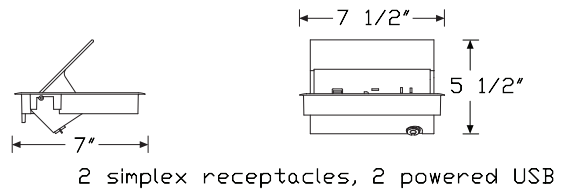
USB ports supply 10-watt power and will charge most small electronic devices. Software in each device controls that devices ability to accept a charge via USB.

Refer to Renew™ Sit-to-Stand Tables and Locale® planning guides for specific application information.

20' cord/conduit length (20) is recommended for Exclave® applications.

Locale® Power

Dimensions



Logic G1000 Grommet Mounted Electrical Distributor *continued*

Specification Information

Step 1.

Y1425. A

Step 2. Configuration

- A** 2 simplex receptacles, 2 powered USB A
- C** 4 simplex receptacles, 2 powered USB A
- D** 5 simplex receptacles, 2 powered USB A
- E** 3 simplex receptacles A
- F** 5 simplex receptacles A
- G** 6 simplex receptacles A

Step 3. Power Type

- A** power cord with plug end A
- B** conduit with open end, for hard-wiring A
- C** IEC connector for Renew Tables A

Step 4. Cord/Conduit Length

For power cord with plug end (A)

- 03** 3' cord/conduit A
- 06** 6' cord/conduit A
- 10** 10' cord/conduit A
- 20** 20' cord/conduit A

For conduit with open end, for hard-wiring (B)

- 03** 3' cord/conduit A
- 06** 6' cord/conduit A
- 10** 10' cord/conduit A

For IEC connector for Renew Tables (C)

- 03** 3' cord/conduit A

Prices for Steps 1-4.

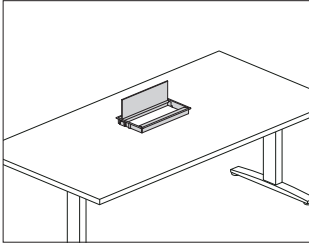
		03	06	10	20
Y1425. A	A	\$658	658	668	679
	B	\$709	709	719	—
	C	\$668	—	—	—
C	A	\$763	763	774	785
	B	\$814	814	825	—
	C	\$774	—	—	—
D	A	\$831	831	842	852
	B	\$882	882	892	—
	C	\$842	—	—	—
E	A	\$506	506	516	526
	B	\$556	556	567	—
	C	\$516	—	—	—

F	A	\$611	611	622	632
	B	\$662	662	673	—
	C	\$622	—	—	—
G	A	\$679	679	689	700
	B	\$729	729	741	—
	C	\$689	—	—	—

Step 5. Finish

- 91** white A +\$0
- G1** graphite A +\$0
- MS** metallic silver A +\$0

Logic G1200 Grommet Pass Thru Y1420.



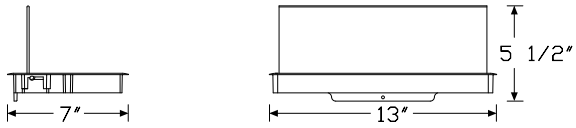
Product Information

Description
 This Logic Power Access Solutions™ grommet mounted metal enclosure provides access to cords kept beneath the surface. The unit has an integrated cord keeper.

Notes
 Unit size is based on the grommet mounted electrical distributor (Y1425.) with simplex receptacles.

Dimensions

Locale® Power



Specification Information

Step 1.

Y1420.

Step 2. Configuration

- T** three outlet opening
- V** five outlet opening
- X** six outlet opening

Prices for Steps 1-2.

Y1420. T	\$220
V	\$242
X	\$263

Step 3. Finish

91 white <input type="checkbox"/>	+\$0
G1 graphite <input type="checkbox"/>	+\$0
MS metallic silver <input type="checkbox"/>	+\$0

Index by Product Name

Locale®	
	page(s)
Bench Cushion	76
Block-to-Block Jumper	90
Combination D/T Double	49
Combination D/T with Full Display	52
Controlled Power Duplex	88
Controlled Receptacle Decal (12 per sheet)	89
D-Desk Double	10
D-Desk Double with Full Display	17
D-Desk Screen	65
D-Desk Single	5
D-Desk Single with Full Display	13
Display Monitor Support Kit	67
Display Tackboards	69
Double Column Table	79
Freestanding Screen	74
L-Desk Double	25
L-Desk Double with Partial Display	32
L-Desk Screen	66
L-Desk Single	20
L-Desk Single with Partial Display	28
Logic G1000 Grommet Mounted Electrical Distributor	92
Logic G1200 Grommet Pass Thru	94
Mobile Easel	73
Modular Power Entry	83
Modular Power Entry, New York	84
Peg Hangers (Pair)	75
Power Block	85
Power Duplex	87
Power Plug Strip	91
Refreshment Center	77
Rolling Magazine Rack	71
Rolling Whiteboard	72
Single Column Table	81
T-Peninsula Double	39
T-Peninsula Double with Full Display	46
T-Peninsula Single	35
T-Peninsula Single with Full Display	42
Workbase	55
Workbase Screen	63
Workbase with Full Display	61
Workbase with Partial Display	59
Workbase with Upper Shelving	57



Index by Product Number



	page(s)
BRBC. Bench Cushion	76
BRCD. Combination D/T Double	49
BRCDF. Combination D/T with Full Display	52
BRDCT. Double Column Table	79
BRDD. D-Desk Double	10
BRDDF. D-Desk Double with Full Display	17
BRDDS. D-Desk Screen	65
BRDS. D-Desk Single	5
BRDSF. D-Desk Single with Full Display	13
BRE01. Modular Power Entry	83
BRE02. Modular Power Entry, New York	84
BRE03. Power Block	85
BRE04. Power Duplex	87
BRE04M Controlled Power Duplex	88
BRE05. Block-to-Block Jumper	90
BRE06. Power Plug Strip	91
BRES. Mobile Easel	73
BRFS. Freestanding Screen	74
BRHP. Peg Hangers (Pair)	75
BRLD. L-Desk Double	25
BRLDP. L-Desk Double with Partial Display	32
BRLDS. L-Desk Screen	66
BRLS. L-Desk Single	20
BRLSP. L-Desk Single with Partial Display	28
BRMS. Display Monitor Support Kit	67
BRRC. Refreshment Center	77
BRRM. Rolling Magazine Rack	71
BRRW. Rolling Whiteboard	72
BRST. Single Column Table	81
BRTB. Display Tackboards	69
BRTD. T-Peninsula Double	39
BRTDF. T-Peninsula Double with Full Display	46
BRTS. T-Peninsula Single	35
BRTSF. T-Peninsula Single with Full Display	42
BRWB. Workbase	55
BRWBS. Workbase Screen	63
BRWUF. Workbase with Full Display	61
BRWUP. Workbase with Partial Display	59
BRWUS. Workbase with Upper Shelving	57
G9999. Controlled Receptacle Decal (12 per sheet)	89
Y1420. Logic G1200 Grommet Pass Thru	94
Y1425. Logic G1000 Grommet Mounted Electrical Distributor	92



20-Day or Less/Assigned Lead-Time Order Information

20-Day or Less and Assigned Lead-Time Programs

20-day or less and assigned lead-time products are designed for established Herman Miller dealers with pre-approved credit.

Products are distributed from multiple manufacturing facilities across the United States. All products and options not designated by an Assigned Lead-Time icon  will ship in 20 business days or less after being acknowledged by Herman Miller. Products and options designated by an  are on the assigned lead-time program and will ship in 20 days, less than 20 days, or more than 20 days from order acknowledgement.

Ordering Procedure

Please place orders through Order Manager. If this is not available to you, place orders through mail or fax. Verbal purchase orders will not be accepted.

Order Entry fax number for Passage®, 5000 Series, and Meridian® Filing and Storage: (616) 846 9236.

Order Entry fax number for all other products:
(616) 654 3085.

For more information, contact your Customer Care representative at:
(866) 854 3048 EXT 3400.

Shipments and Delivery

Per Herman Miller Terms and Conditions.

Changes and Cancellation

Per Herman Miller Terms and Conditions.

Stain-to-Match Program

Stain-to-Match Program

Program Overview

The Stain-to-Match program gives you the option of using veneer finishes that are not listed in the standard offering. The program allows Herman Miller to match a customer's existing recut or natural veneer, or create a new finish that is unique to an installation.

Specific information on approval, ordering, pricing, and warranty for the Stain-to-Match program is listed below. Questions and requests for assistance may be directed to Herman Miller Options at:

(800) 654 3910

Stain-to-Match Process

1. Fill out the Options Stain-to-Match Request Form and send along with a color sample (2" x 3" minimum) to the Herman Miller Options Applications Team at the address provided on the form. The form can be found on Omni.
2. Within 7-10 working days, Herman Miller Options will send a sample of the color-matched stain on Herman Miller veneer to the requester for the customer's signed approval.
3. If the sample meets the customer's approval, sign the reverse side of the sample, scan and email the approval to:
options@hermanmiller.com.
4. After the stain has been approved, a formal quotation with special number and pricing can be provided, or the product can be specified through the Vary Easy program, if available. Work with the Options team on final product needs and how to specify.
5. A purchase order can then be placed.

Stain-to-Match Warranty

Herman Miller warrants its products to be free from defects in craftsmanship from the date of delivery for the applicable warranty period. Herman Miller is responsible for the physical properties of the veneers available through the Stain-to-Match program, which include:

- STA: Stain-to-Match on Recut Ash
- STB: Stain-to-Match on Beech
- STC: Stain-to-Match on Cherry
- STD: Stain-to-Match on Oak
- STK: Stain-to-Match on Reltech Anigre (Geiger)
- STM: Stain-to-Match on Recut Mahogany
- STP: Stain-to-Match on Maple
- STU: Stain-to-Match on Walnut (Geiger)

See your specification tool for product specific finish offering limitations.

Customer's Own Material Order Information — Workspaces

Customer's Own Material

Program Overview

The Customer's Own Material (COM) program gives you the option of using textiles other than those listed. Herman Miller will test textiles for application to Herman Miller products and will process orders for those with approved COM textiles only. COM textiles are on assigned lead times.

Omni lists an overview of fabrics that have been tested and indicates whether or not they were approved for application to Herman Miller products.

Specific information on the terms and conditions, testing, approval, and ordering process for COM is listed below. Questions about the COM program and requests for assistance may be directed to your COM representative at:

(616) 654 3400

(866) 854 3048 EXT 6543400

Customer's Own Material Warranty

Herman Miller does not warrant COM textiles. COM textiles are tested for application only; they are not tested for performance. The Herman Miller warranty does apply to the underlying products.

Suppliers of COM textiles are responsible for color consistency within commercial tolerances, UV stability, and resistance to soiling and perspiration.

Customer's Own Material Pricing

COM is a Category 1 fabric. There are no application charges for COM fabrics.

Ordering and payment for COM textile yardage are the responsibility of the customer and the textile supplier.

If desired, Herman Miller will purchase COM textiles directly from True Textiles, C.F. Stinson, Luna Textiles, Maharam, and Momentum Textiles to simplify ordering and shipment. For this service, refer to the Supplier Connection program.

Application Note

Herman Miller does not guarantee that Customer's Own Material (COM) fabric patterns will align across panels/tiles or from one screen to the next. We also do not guarantee that COM fabric designs will be positioned consistently in the same location across several panels, tiles, or screens.

Textile Approval

1. Select a COM textile and a Herman Miller product.
2. If your textile is not listed in Omni, obtain a test number from a COM representative at (616) 654 3400. You can also submit your request within Omni. Please have the following information ready before calling: textile name, number, pattern, and the product you will apply it to.
3. Herman Miller will notify you of approval or disapproval within 4 days from receipt of the test yardage.

Ordering Products with COM

1. Refer to the specific products to determine the yardage required for COM textiles.
2. If your textile is not listed in Omni, call a COM representative at (616) 654 3400 or (866) 854 3048 EXT 6543400. The representative will assign an identification number for your textile (ID#) and will verify yardage requirements for your order.

Note: Yardage requirements are based on nondirectional, 54"-wide textiles. 66"-wide textiles are needed for application on 60"-wide products. Additional yardage may be needed due to the unique characteristics of a textile.

3. Enter your order on Order Manager in Omni.
4. Upon receipt of your purchase order, Herman Miller will send you a PO acknowledgment.
5. Arrangements must be made for the textiles to be shipped from the supplier to Herman Miller for application to the Herman Miller products. Textiles must be tagged with the assigned identification number and the roll yardage quantity. See Omni for shipping procedures and current shipping addresses or contact a COM representative at (616) 654 3400 or (866) 854 3048 EXT 6543400.

Products will be scheduled for production when COM textiles are received at Herman Miller. Standard lead times in effect at that time will apply.

Note: If textiles are to be purchased directly by Herman Miller through the Supplier Connection program, Herman Miller will handle the ordering and shipping process and will schedule your order for production upon receipt of your purchase order (dependent on textile availability). Refer to the Supplier Connection program for more information.

Customer's Own Material Order Information — Workspaces

continued

Supplier Connection

Program Overview

The Supplier Connection program is a service offered by Herman Miller to purchase approved COM textiles directly from True Textiles, C.F. Stinson, Luna Textiles, Maharam, and Momentum Textiles. When you select a textile through this program, Herman Miller will facilitate the ordering, scheduling, and shipment of the textile directly with the supplier.

Suppliers included in the Supplier Connection program keep an active inventory of textiles that are pre-approved for application to Herman Miller products. Pre-approval applies only to the suitability of a textile for manufacturing and application to a Herman Miller product. Omni provides an overview of fabrics that have been tested and indicates whether or not they were approved for application to Herman Miller products.

Specific information on the terms and conditions, testing, approval, and ordering process for the Supplier Connection program is listed below. Questions and requests for assistance may be directed to your COM representative at:

(616) 654 3400

(866) 854 3048 EXT 6543400

Supplier Connection Warranty

Textiles purchased by Herman Miller through the Supplier Connection program are COM and are not warranted by Herman Miller. COM textiles are tested for application only; they are not tested for performance. The Herman Miller warranty does apply to the underlying products.

Suppliers of COM textiles are responsible for color consistency within commercial tolerances, UV stability, and resistance to soiling and perspiration.

Supplier Connection Pricing

Textiles purchased by Herman Miller through the Supplier Connection program are COM. COM is a Category 1 fabric. There are no application charges for COM fabrics.

Payment for textiles purchased by Herman Miller through the Supplier Connection program is the responsibility of the customer or dealer. Herman Miller will invoice the order at the supplier's prices published at the time of the order.

Textile Approval

1. Refer to Omni to identify the approval status of the textile. If your textile is not listed, contact the COM Department to request testing for application to Herman Miller products.
2. Herman Miller will notify you of approval or disapproval in approximately 4 days from receipt of the test yardage. If the textile is approved, it will be assigned a COM identification number.

Ordering Products with Supplier Connection COM

1. Identify and include the following information on your purchase order:
 - Product number and option
 - Herman Miller's COM identification number
2. Enter your order on Order Manager in Omni.
3. Upon receipt of the purchase order, Herman Miller will process your order and send you a PO acknowledgment. Herman Miller will determine the yardage required to produce your product and will order and schedule for delivery the required textile. Standard lead times in effect at the time the textile is allocated at the supplier will apply to products ordered through this program.

Proprietary Textiles Application Chart – Workspaces

• Available

[A] Assigned lead-time textile.

See page 3 for exception notes.

	Action Office® Panels/Connectors	Action Office/Ethospace® B-Style Storage	Action Office B-Style Tackboards	Action Office/Ethospace E-Style Storage	Ethospace Tiles/Connectors	Ethospace Work Surface-Attached Screens	Ethospace/Canvas Office Landscape® Privacy Doors	Canvas Tiles/Extended Width Tiles	Canvas B-/E-Style Storage	Canvas Standing Screen and Team Wall Infill	Canvas Signature Screen	Canvas Tackboards	Layout Studio® Framed Screen	Locale® Display Tackboard	Locale Freestanding Screen and Workbase Screen	Locale L-Desk/D-Desk Screens	Pari™ Screens	Prospect™ Exterior Acoustic Pad	Public Office Landscape® Screen/Desk Top Divider	Renew™ Link Screens	Resolve® Boundary Screens/Flags	Resolve Display Screens	Resolve Rolling Screens/Canopies	Exclave® Tackable Boards and Stowage Tackable Backdrop	Exclave Video-Friendly Tackable Boards and Stowage Tackable Backdrop	Intersect® Screens	Thrive® Personal Side Screen	Tu® Wood Storage Cubby Tackboard	5000 Series Storage and Tackboards	Seating		
Price Category 1																																
COM Customer's Own Material [A]	1	1	1	1	1		1	1	1	1		•	1	1	1		1		1	1	1						1	1		3	1	
8A__ Bubbletack™																						•										
2V__ Chain	•	•	•	•	•		•	22	•			•	•	•	•		•		•	•									•	3		
8T__ Crossing (85__)	2	2	2	•	•		•	•	2			•	•	•	•	•	•		•	•				•	8		•	•	•	3	18	
95__ Gem	2	2	2	•	•		•	•	2			•	•	•													•	•	•	3	•	
2I__ Grasscloth	•	•	•	•	•		•	•	•	•		•		•	•	•		•	•								•	•	•	3		
1MN__ Monologue	2	2	2	•	•		•	•	2			•	•	•	•	•	•		•	•							•	•	•		•	
8B__ Multiscrim™						•															•		•									
5T__ Resonance	•	•	•	•	•		•	•	•	•		•	•	•													•	•	•			
8C__ Scrim Trim																							•									
22W__ Shade											•																					
2M__ Silksworm	•	•	•	•	•		•	•	•	•		•	•	•													•	•	•	3		
22F__ Slant	6		•	•	•							•	•	•													•	•	•	3		
235__ Tailored [A]	•	•		•	•		•	•	•	•		•	•	•													•	•	•		•	
1WS__ Whisper	2	2	2	•	•		•	•	2	•		•	•	•	•	•	•	•	•	•	•					•	•	•		•	•	
Price Category 2																																
1CD__ Code	•	•	•	•	•		•	•	•	•		•	•	•										•		•						
3P__ ColorGuard		2		•																												•
51__ Cord	•	•	•	•	•		•	•	•	•		•	•	•													•	•	•	3		
92__ Crepe	2	•	•	•	•		•	•	•	•		•	•	•										•	8		•	•	•	3	•	
22Q__ Fish Net		2	2	•	•		•	•	2	•		•					•			•											•	
57__ Frost	•	•	•	•	•		•	•	•	•		•	•	•	•		•		•	•							•	•	•	3		
84__ Grosgrain	4	•	•	•	•		•	•	•	•			•	19													•	19	•	3		
4N__ Horizon	2	2	2	•	•		•	•	•	•		•	•	•													•	•	•	3		
1LM__ Loom	2	2	2	•	•		•	•	•	•		•	•	•	•	•	•	•	•	•	•				•						•	
1HA__ Medley	2	2	2	•	•		•	•	•	•		•	•	•	•	•	•	•	•	•	•			•	8	•	•	•			•	
3A__ Moiré		2	2	•	•		•	22	2	•		•	•	•	•	•	•	•	•	•	•								•	3	•	
1RV__ Rivet	2	2	2	•	•		•	•	2	•		•		•	•	•	•	•	•	•	•						•	•	•	•	•	
43__ Tape							•	•	•	•		•		•																	•	
8R__ Twist (5S__)	5	2	2	•	•		•	•	2	•		•	•	•	•	•	•	•	•	•	•						•	•	•	3	18	
22T__ Well Suited		2		•	•		•	2	•																						•	
Price Category 3																																
70__ Bento	2	2	2	•			•	2	•		•	•	•	•	•	•	•	•	•	•	•					•	•	•	3	•		
1FB__ Connection	•	•	•	•	•		•	•	•	•		•	•	•	•					•							•	•	•	3		
1FC__ Current	•	•	•	•	•		•	•	•	•		•	•	•	•					•							•	•	•	3		
8Z__ Glaze	•	•	•	•	•		•	•	•	•		•	•	•													•	•	•	3		
47__ Ground Cloth®	•	•	•	•	•		•	•	•	•		•	•	•	•	•	•	•	•	•	•	14		•	8	•	•	•	3			
5D__ Kira 2	2	2	2	•	•		•	•	2	•		•	•	•	•	•	•	•	•	•	•	14				•	•	•	3			
22R__ Pins and Needles	2	2		•	•		•	•	2	•		•	•	•	•												•				•	
8L__ Savannah	•	20	•	•	•		•	•	•	•		•	•	•								14								•		
8U__ Stitches (5Z__)	2	2	2	•			•	2	•		•	•	•														•	•	•	3	18	
8W__ Strands	•	•	•	•	•		•	•	•	•		•	•	•	•	•	•	•	•	•	•						•	•	•	3		
22V__ String Plaid	2	2	2	•	•		•	•	2	•		•	•	•	•	•	•	•	•	•	•						•	•	•		•	

continued on next page

Proprietary Textile Colors – Workspaces

Price Category 1

Customer's Own Material
See Order Information in
Appendices.
Assigned lead-time textile. A

Bubbletack™
100% polyester

8A01 Seashell White
8A02 Pearl Grey
8A05 Dune Beige
8A07 Pebble Beige
8A09 Olive Green
8A13 Slate Purple
8A19 Spa Blue
8A24 Sable Grey
8A27 Summer White
8A28 Moth Grey
8A29 Tea Leaf Grey
8A30 Blue Grey
8A31 Dusty Bronze
8A32 Slate Blue
8A33 Caramel Beige
8A34 Kiwi Green

Chain
66" wide
100% recycled polyester

2V01 Pearl
2V02 Oyster
2V03 Wheat
2V04 Linen
2V05 Wicker
2V06 Bamboo
2V07 Sage
2V08 Spring Wood
2V09 Iceberg

Crossing
54" wide
86% antimony-free polyester
14% polyester

8T03 Wicker *
8T04 Porcelain *
8T05 Warm Grey *
8T06 Sepia
8T07 Pumpkin
8T08 Copper
8T09 Cranberry
8T10 Tomato
8T11 Mulberry
8T12 Plum
8T13 Green Apple
8T14 Loden
8T15 Spruce
8T16 Periwinkle
8T17 Cerulean
8T18 Indigo
8T19 Shale *
8T20 Brownstone
8T21 Bark
8T22 Tin *
8T23 Graphite
8T24 Black

Crossing
For workspaces products only.
54" wide
86% antimony-free polyester
14% polyester

8501 Ivory *
8502 Oyster *

* Colors available on Exclave®
Video-friendly Tackable Boards
and Stowage Tackable Backdrop

Gem
54" wide
100% antimony-free polyester

9501 Sesame
9502 Tangerine
9503 Red
9504 Red Violet
9505 Mulberry
9506 Java
9507 Twilight
9508 Bayou
9509 Iris
9510 Berry Blue
9511 Aqua Green
9512 Green Apple
9513 Spruce
9514 Black
9515 Slate Grey
9516 Fog

Grasscloth
66" wide
100% recycled polyester

2I01 Silver Birch
2I02 Pampas
2I03 Sedge
2I07 Lea
2I08 Taro
2I09 Steam Grey
2I10 Cayenne
2I11 Bottle Green
2I12 Surf
2I13 Gravel

Monologue
54" wide
56% recycled polyester
44% polyester

1MN01 Linen
1MN02 Alabaster
1MN03 Truffle
1MN04 Folkstone
1MN05 Silver Pine
1MN06 Slate
1MN07 Seed
1MN08 Yellow Oxide
1MN09 Persimmon
1MN10 Tundra
1MN11 Meadow
1MN12 Blue Sky
1MN13 Blue Spruce
1MN14 Deep Sea

Multiscrim™
60" wide
100% polyester

8B01 Seashell White
8B02 Pearl Grey
8B05 Dune Beige
8B07 Pebble Beige
8B09 Olive Green
8B15 Slate Purple
8B19 Spa Blue
8B24 Sable Grey
8B27 Summer White
8B28 Moth Grey
8B29 Tea Leaf Grey
8B30 Blue Grey
8B31 Dusty Bronze
8B32 Slate Blue
8B33 Caramel Beige
8B34 Kiwi Green

Proprietary Textile Colors – Workspaces

continued

Price Category 1

continued

Resonance

66" wide
100% polyester
5T04 Greige
5T05 Porcelain
5T06 Alabaster
5T15 Iris
5T28 Sugar
5T47 Tobacco
5T54 Saltbush
5T57 Seed
5T58 Sepia
5T59 Tundra
5T60 Iceberg
5T61 Black
5T62 Chamois
5T63 Citrus
5T64 Tangerine
5T65 Red
5T66 Wild Berry
5T67 Boysenberry
5T68 Pistachio
5T69 Green Apple
5T70 Forest
5T71 Jade
5T72 Blue Green
5T73 Bright Turquoise
5T74 Twilight

Scrim Trim

61" wide
82% polyester
18% spandex
8C01 Seashell White
8C02 Pearl Grey
8C22 Winter Grey
8C24 Sable Grey

Shade

91% polypropylene
9% polyester
22W02 Tin
22W03 Graphite

Silkworm

66" wide
58% recycled polyester
42% polyester
2M01 Cocoon
2M02 Pongee
2M03 Saffron
2M04 Tussah
2M05 Ceylon
2M06 Jasmine
2M07 Shale
2M08 Monsoon

Slant

66" wide
51% polyester
49% recycled polyester
22F01 Beech Nut
22F02 Chamois
22F03 Chartreuse
22F04 Pesto
22F05 Peacock
22F06 Neptune
22F07 Blueberry
22F08 Boysenberry
22F09 Magenta
22F10 Pumpkin
22F11 Cranberry
22F12 Silver Birch
22F13 Bluestone
22F14 Truffle
22F15 Shale

Tailored

Assigned lead-time textile. ^A
54" wide
56% polyester
44% recycled polyester
23501 Studio White
23502 Sugar
23503 Tomato
23504 Orchid
23505 Boysenberry
23506 Chive
23507 Bluegrass
23508 Cobalt
23509 Cadet
23510 Fog
23511 Graphite
23512 Black
23513 Coffee

Whisper

54" wide
73% recycled polyester
27% polyester
1WS01 Sand Dollar
1WS02 Pebble
1WS03 Silver Birch
1WS04 Iceberg
1WS05 Silver Pine
1WS06 Carbon
1WS07 Cumin
1WS08 Adobe
1WS09 Strawberry
1WS10 Blush
1WS11 Eggplant
1WS12 Willow
1WS13 Sea Grass
1WS14 Pool
1WS15 Blueberry

Price Category 2

Code

66" wide
100% Repreve recycled polyester
1CD01 Linen
1CD02 Khaki
1CD03 Iceberg
1CD04 Zinc
1CD05 Blue Black

ColorGuard

54" wide
100% vinyl
3P01 Grey
3P02 Navy
3P03 Spruce ^A
3P04 Jade ^A
3P05 Natural ^A
3P08 Blueberry ^A
3P09 Coal ^A
3P12 Black Plum ^A
3P14 Black
3P15 New Burgundy ^A
3P17 Burgundy ^A
3P19 Slate
3P31 Horizon Blue ^A
3P33 Pumice
3P54 Candy Apple ^A
3P58 Beige ^A
3P66 Deep Clay ^A
3P72 Allspice ^A
3P90 Green Tea ^A
3P93 Camelback ^A
3P96 Manzanita ^A
3P97 Fudge ^A
3PB2 Sea Grass ^A
3PB5 Vizcaya Palm ^A
3PB9 Neptune ^A
3PC7 Bucksuede ^A
3PD4 Otter ^A

^A Assigned lead-time color.

Proprietary Textile Colors – Workspaces

continued

Price Category 2

continued

Cord

66" wide
51% antimony-free polyester
49% polyester
5101 Ivory
5102 White Ash
5103 Linen
5104 Bamboo
5105 Sepia
5106 Wicker
5107 Sesame
5108 Kiwi Green
5109 Bayou
5110 Shade
5111 Spring Wood
5112 Summer White

Crepe

54" wide
100% recycled polyester
9201 Licorice
9203 Smoke
9207 Cherry
9209 Claret
9212 Raisin
9218 Aquamarine
9223 Cadet
9241 Beachglass
9243 Midnight
9244 Artichoke
9248 Warm White *
9249 Stone *
9250 Earth
9251 Fog *
9252 Slate Grey
9253 Yellow Dark
9254 Coral
9255 Blush Grey *
9256 Wild Berry
9257 Clover
9258 Caribbean
9259 Cerulean
9260 Brownstone

* Colors available on Exclave®
Video-friendly Tackable Boards
and Stowage Tackable Backdrop

Crepe continued

9261 Shale
9262 Graphite
9263 Tomato
9264 Green Apple

Fish Net

55" wide
100% recycled polyester
22Q01 Oyster
22Q02 Stone
22Q03 Citrus
22Q04 Curry
22Q05 Chipotle
22Q06 Cherry
22Q07 Fuschia
22Q08 Claret
22Q09 Purple
22Q10 Clover
22Q11 Pesto
22Q12 Peacock
22Q13 Lagoon
22Q14 Twilight
22Q15 Bluestone
22Q16 Storm
22Q17 Black
22Q18 Cocoa

Frost

66" wide
100% recycled polyester
5701 Bisque
5702 Abalone
5703 Porcelain
5704 Honey
5705 Iceberg
5706 Sage
5707 Reed
5708 Steam Grey
5709 Gunmetal
5710 Sable Grey

Grosgrain

66" wide
100% recycled polyester
8401 Pearl *
8402 White Ash
8403 Warm Grey
8404 Khaki
8405 Oyster *
8406 Celadon
8408 Spa Blue
8409 Bud
8410 Kiwi Green
8411 Bayou
8412 Tin
8413 Iceberg *

* Colors not available on Canvas
Dock Mounted Screens, Locale®
Workbase Screen, Public Office
Landscape® Screen/Desk Top
Divider, and Thrive® Personal
Side Screen.

Horizon

54" wide
65% antimony-free polyester
35% polyester
4N01 Rye Grass
4N02 Sugar Pine
4N03 Silver Pine
4N04 White Ash
4N05 Spring Wood
4N06 Tamarack
4N07 Mushroom
4N08 Haystack
4N09 Oat Grass
4N10 Forest Moss
4N11 Hickory
4N12 Beech Nut
4N13 Pine Cone
4N14 Poplar
4N15 Elderberry

Loom

54" wide
100% polyester
1LM01 Linen
1LM02 Brown Sugar and Spice
1LM03 Brick and Mortar
1LM04 Salt and Pepper
1LM05 Black
1LM06 Lemongrass
1LM07 Poppy
1LM08 Wild Berry
1LM09 Loden
1LM10 Jade
1LM11 Deep Sea

Medley

54" wide
100% polyester
1HA01 Stone *
1HA02 Trail
1HA03 Charcoal
1HA04 Cinder
1HA05 Citrus
1HA06 Papaya
1HA07 Chutney
1HA08 Tundra
1HA09 Feather Grey *
1HA10 Chartreuse
1HA11 Loden
1HA12 Peacock
1HA13 Bayou *
1HA14 Blue Grotto
1HA15 Blueberry
1HA22 Khaki
1HA23 Pewter
1HA24 Yellow Oxide
1HA25 Vintage Rose
1HA26 Raspberry
1HA27 Acai Berry

* Colors available on Exclave®
Video-friendly Tackable Boards
and Stowage Tackable Backdrop

Proprietary Textile Colors – Workspaces

continued

Price Category 2

continued

Moiré

54" wide
100% recycled polyester
3A01 Concrete
3A02 Biscotti
3A03 Rattan
3A04 Chambray
3A05 Fern
3A08 Violet
3A09 Zin
3A10 Curry
3A11 Spice
3A12 Cork

Rivet

54" wide
100% recycled polyester
1RV01 Twig
1RV02 Deep Clay
1RV03 Woodrose
1RV04 Otter
1RV05 Hemlock
1RV06 Olive
1RV07 Lagoon
1RV08 Deep Sea
1RV09 Charcoal
1RV10 Grey Brindle

Tape

66" wide
52% polypropylene
48% recycled polyester
4301 Pearl
4302 Oyster
4303 Wicker
4304 Reed
4305 Straw
4306 Celadon
4307 Alabaster
4308 Bamboo
4309 Feather Grey
4310 Iceberg

Twist

54" wide
80% antimony-free polyester
13% recycled polyester
7% polyester
8R05 Wicker
8R10 Poppy
8R14 Tin
8R15 Shale
8R16 Graphite
8R17 Birch
8R18 Sepia
8R22 Blueberry
8R23 Green Apple
8R26 Gunmetal
8R27 Cinder
8R28 Citrus
8R29 Pekoe
8R30 Tangerine
8R31 Red Plum
8R32 Wisteria
8R33 Forest
8R34 Jade Dark
8R35 Waterfall
8R36 Midnight Blue
8R37 Carbon Dark

Twist

For workspaces products only.
54" wide
80% antimony-free polyester
13% recycled polyester
7% polyester
5S01 Pearl
5S02 Ivory
5S03 Oyster

Well Suited

55" wide
79% polyester
21% recycled polyester
22T01 Oyster
22T02 Raffia
22T03 Peppermint
22T04 Wild Berry
22T05 Spring Green
22T06 Mint
22T07 Periwinkle
22T08 Cool Grey
22T09 Citrus
22T10 Pumpkin
22T11 Red
22T12 Fuschia
22T13 Orchid
22T14 Chartreuse
22T15 Green Apple
22T16 Jade
22T17 Peacock
22T18 Blueberry
22T19 Bluestone
22T20 Mink

Price Category 3

Bento

54" wide
100% antimony-free polyester
7001 Frost
7002 Linen
7003 Khaki
7004 Truffle
7005 Grey Black
7006 Pumpkin
7007 Cranberry
7008 Everglade
7009 Cobalt

Connection

66" wide
100% antimony-free polyester
1FB1 Oyster
1FB2 Linen
1FB3 Iceberg
1FB4 Silver Pine
1FB5 Apricot
1FB6 Cumin
1FB7 Green Apple
1FB8 Slate Blue
1FB9 Metal

Proprietary Textile Colors – Workspaces

continued

Price Category 3

continued

Current

66" wide	
100% antimony-free polyester	
1FC1	Oyster
1FC2	Linen
1FC3	Iceberg
1FC4	Silver Pine
1FC5	Apricot
1FC6	Cumin
1FC7	Green Apple
1FC8	Slate Blue
1FC9	Metal

Glaze

66" wide	
100% recycled polyester	
8Z01	Wicker
8Z02	Honey
8Z03	Porcelain
8Z04	Celadon
8Z06	Rye
8Z07	Frost
8Z08	Silver Birch

Ground Cloth®

66" wide	
100% polyester	
4701	Vapor Grey
4721	Warm White *
4722	Fog *
4723	Straw *
4724	Red Orange *
4725	Wild Berry *
4726	Green Apple *
4727	Caribbean *
4728	Midnight *
4729	Cappuccino *

* Colors available on Exclave®
Video-friendly Tackable Boards
and Stowage Tackable Backdrop

Kira 2

54" wide	
100% recycled polyester	
5D11	Flaxen
5D12	Papyrus
5D13	Oasis
5D14	Incense
5D15	Ash
5D16	Falcon

Pins and Needles

58" wide	
76% recycled polyester	
24% polyester	
22R01	Day and Night
22R02	Night and Day

Savannah

66" wide	
76% recycled polyester	
24% polypropylene	
8L01	Pearl
8L02	Oyster
8L03	Wheat
8L04	Jute
8L05	Bamboo
8L06	Metal
8L07	Linen
8L08	Celadon
8L09	Moss
8L10	Frost
8L11	Shale
8L12	Pewter

Stitches

54" wide	
54% polyester	
46% recycled polyester	
8U02	Rye
8U03	Khaki
8U04	Honey
8U05	Cattail
8U06	Pumpkin
8U07	Brick
8U08	Cool Grey
8U09	Slate Blue
8U10	Juniper
8U11	Evening Blue
8U12	Charcoal
8U13	Kiwi Green
8U14	Olive
8U15	Pesto
8U16	Cocoa
8U17	Seed

Stitches

For workspaces products only.	
54" wide	
54% polyester	
46% recycled polyester	
5Z01	White Ash

Strands

66" wide	
100% recycled polyester	
8W01	Pebble
8W02	Porcelain
8W03	Taupe
8W04	Honey
8W05	Khaki
8W06	Rye
8W07	Wicker
8W08	Tin
8W09	Cool Grey

String Plaid

54" wide	
100% recycled polyester	
22V01	Warm White on Khaki
22V02	Mint on Yellow Green
22V03	Mist on Blue Grey
22V04	Sky Blue on Red
22V05	Lime on Magenta
22V06	Bright Green on Green
22V07	Aqua Blue on Cerulean
22V08	Ivory on Black

Proprietary Textile Colors – Workspaces

continued

Price Category 4

Glisten	
66" wide	
84% polyester	
16% recycled polyester	
2X02	Rye
2X05	Iceberg
2X09	Pewter
2X10	Ash
Loft	
Assigned lead-time textile. A	
54" wide	
100% wool	
22L01	Heathered Light Green
22L02	Heathered Dark Green
22L03	Heathered Turquoise
22L04	Heathered Navy
22L05	Heathered Orange
22L06	Heathered Red
22L07	Heathered Tan *
22L08	Heathered Grey *
22L09	Heathered Blue *
22L10	Heathered Brown
22L11	Heathered Dark Grey
22L12	Heathered Denim

* Colors available on Exclave®
Video-friendly Tackable Boards
and Stowage Tackable Backdrop

Quilty	
56" wide	
100% antimony-free polyester	
GreenShield	
6S03	Khaki
6S04	Straw
6S07	Brick
6S10	Mink
6S11	Green Apple
6S13	Indigo
6S14	Zinc
6S15	Slate
6S16	Beachwood
6S17	Paprika
6S18	Plum
6S19	Juniper
6S20	Grey Black

Sironetta	
66" wide	
100% recycled polyester	
6301	Acapella
6302	Sonata
6303	Interlude
6304	Legato
6308	Harmony
6309	Ensemble

Price Category 5

Hopsak	
56" wide	
100% recycled polyester	
14A20	Black
14A22	Raw Umber Dark
14A26	Grey Blue Dark
14A30	Sepia Dark
14A38	Emerald Dark
14A39	Yellow Dark
14A40	Orange
14A41	Sienna
14A42	Olive Green Dark
14A43	Crimson
14A44	Crimson Dark Dark
14A45	Violet Dark
14A46	Pink Dark Dark
14A47	Ultramarine Dark
14A48	Cobalt Blue
14A49	Terra Cotta
14A50	Ochre Dark

For more information about our products and services or to see a list of dealers, please visit us at HermanMiller.com or call (800) 851 1196.

© 2018 Herman Miller, Inc., Zeeland, Michigan

® **HermanMiller**, 3D Intelligent, AO, Action Office, Aeron, ArcSpan, Aside, Avall, Avive, Bubble Lamps, Canvas Office Landscape, Caper, Celle, Co/Struc, Daisyone, Distil, Eames, Eco-Dematerialized, Embody, Envelop, Equa 2, Ergon 3, Ethospace, Exclave, Fine-Tune, FlexFront, Flo, Formcoat, Formwork, Ground Cloth, Herman Miller for the Home, Herman Miller for Healthcare, Intersect, Kinemat, Lapjack, Layout Studio, Lifework, Limerick, Live Unframed, Living Office, Locale, Maharam, Meridian, Mirra, Passage, Pellicle, Perspectives, PostureFit, Public Office Landscape, Resolve, Rodney, Sayl, Setu, Thrive, Tu, Wishbone, and Y-Tower are among the registered trademarks of Herman Miller, Inc., and its owned subsidiaries.

™ 8Z Pellicle, About Face, AireWeave, Albert, Backfit, Bubbletack, Burdick Group, Butterfly Back, Celeste, Cellular Suspension, Clam, Compass, Connect, Cubert, DOT, Duracare, Durawrap, Eames Soft Pad, EnhancedAccess, Everywhere, Flex-Edge, Flute, Harmonic, Herman Miller Select, Hopsak 2, Intent, Iota, Jaw, Keyless Entry, Keyn Chair Group by Herman Miller, Latitude, Locale, Logic Mini, Logic Power Access Solutions, Live OS, Loop, Lyris, Lyris 2, Made-to-Measure Storage, Metaform Portfolio, Mora, Motia, Multiscrim, Nelson, Pari, Pixelated Support, Plex, PostureFit SL, Prospect, Q, Renew, Sense, Soft Pad, Stackable, Stackable Storage, Striad, Swoop, Tone, TriFlex, Twist, Ubi, Verus and Wireframe are among the trademarks of Herman Miller, Inc., and its owned subsidiaries.

SM Herman Miller Options is among the service marks of Herman Miller, Inc.

Alexander Girard® is a registered trademark of The Alexander Girard Estate.

Chemsur® is a registered trademark of Wilsonart International.

Corian® is a registered trademark of E. I. du Pont de Nemours and Company Corporation.

Crypton® is a registered trademark of Crypton, Inc.

DACRON® is a registered trademark of INVISTA S.a r.l.

Edelman® Leather is a registered trademark of Edelman Leather, Inc.

FENIX NTM® is a registered trademark of Arpa Industriale S.p.A.

FLEXNET™ is a trademark of Milliken & Company.

Floor Saver Glide® is a registered trademark of Carpin Manufacturing, Inc.

Geiger® is a registered trademark, and Bumper™, Saiba™, and Ward Bennett™ are trademarks, of Geiger International.

Goetz™ is a trademark of Mark W. Goetz.

Hang-It-All® is a registered trademark of Lucia Eames Demetrios, d.b.a. Eames Office.

Holophane® is a registered trademark of Holophane.

Ingeo™ is a trademark of Cargill Dow LLC.

iPad® is a registered trademark of Apple, Inc.

LifeSize® is a registered trademark of LifeSize Communications, Inc.

Magis®, Bombo®, and Me Too® are registered trademarks of Magis S.p.A.

Microsoft® and Natural® Keyboard are registered trademarks of Microsoft Corporation.

Noguchi® and the Noguchi table configuration (trade dress) are registered trademarks, and Rudder Table™ is a trademark, of The Isamu Noguchi Foundation and Garden Museum.

Place Textiles® is a registered trademark of Place Textiles.

SuperSeat™ is a trademark of Dahti Seating, a division of ITW.