



Prices effective February 5, 2018

Published September 2018

HermanMiller Collection

Introduction	page 2
HermanMiller Collection	
Seating	3
Side and Stacking Chairs	5
Lounge Seating	98
Stools	217
Benches	254
Work Chairs	272
Sofas	291
Desks and Tables	409
Desks	411
Tables	415
Occasional Tables	463
Storage	527
Bedroom	621
Accessories	627
Nelson Bubble Lamps	661
Outdoor Furniture	689
Seating	691
Tables	711
Indices	721
By Name	721
By Number	727
Appendices	
20-Day or Less/Assigned Lead-Time Order Information	
Stain-to-Match Program	
Casters and Glides	
Customer's Own Material/Customer's Own Leather Order Information-Seating	
Proprietary Textiles Application Chart-Collection Seating	
Proprietary Textile Colors-Collection Seating	
Maharam Application Chart-Collection Seating	
Maharam Textile Colors-Collection Seating	
For the latest materials information, refer to the Materials pages on HermanMiller.com.	

Introduction

A Note on the Organization of This Book

There are a few signals that will help you understand the organization of this book. Once you know them, you should be able to find your way around easily.

Like a newspaper, this book is formatted with columns of text and illustrations that run vertically.

Information wraps from one column to the next and continues for as many pages as it needs to.

Black bars are clues.

A black bar at the top of a page signals the start of information about a product.

This information is divided into two sections, each signaled by a black bar. Product Information includes a description, additional notes, and dimensional drawings. Specification Information, which always begins at the top of a column, includes a series of steps. Each step represents a decision you need to make in order to complete your product number. Steps must be followed sequentially. The number of pages needed to complete information on a product varies; some will be complete in one page; others may fill three or four pages. Just continue going through the steps until you run into the next product, signaled by the black bar at the top of the page.

Black tabs running along the outside edge of the page help you locate what section you are in or what section you want to go to. You can thumb forwards or backwards to find a section; tabs and text appear on both sides of the page.

The additional pages in the back of the book include the appendices and indices. They are signaled by a long black bar running along the outside edge of the page.

The index is presented two ways.

The first index is in alphabetical order by product name. It can be helpful if you are new to the products and numbering scheme or if you are looking for a type of product, such as work chair or round table.

The second index is by product number. It lists, in alphanumeric order, the base product number, typically a five-digit number.

General Information

This book is effective February 5, 2018, subject to change without notice. Products may be purchased from authorized Herman Miller dealers who will quote prices upon request. For more information about our products and services or to see a list of dealers, visit www.HermanMiller.com.


All prices are list prices. Additional services, such as planning services, design, storage, and installation, are not included and must be added to these prices when the additional services are requested.

Illustrations, specifications, and prices are based on the latest information at the time of publication. The right is reserved to make changes at any time without notice in prices, fabrics, finishes, materials, specifications, and models, and also to discontinue models and finishes.

Dimensions shown in the drawings are engineering drawing dimensions rounded up to the nearest $\frac{1}{8}$ ". Product is shipped set up or knocked down. Products that include "Shipped knocked down" in the description require some assembly. If this statement does not appear in the description, the product is shipped assembled.

Service problems are normally handled by a Herman Miller authorized dealer. Where this cannot be accomplished on a local level, service problems should be referred to the Customer Care Representative for your region, Herman Miller, Inc., Zeeland, Michigan 49464.

20-Day or Less/Assigned Lead-Time Shipments

All products and options in this price book not designated by an Assigned Program icon  will ship in **20 business days or less** after being acknowledged by Herman Miller.

Products and options designated by an  are on the assigned lead-time program and may ship in 20 days, less than 20 days, or more than 20 days from order acknowledgement.

Side & Stacking Chairs

Lounge Seating

Stools

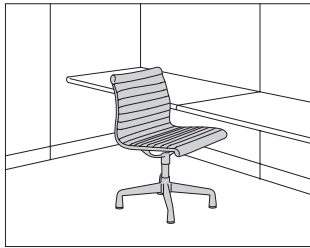
Benches

Work Chairs

Sofas

Eames® Aluminum Group Side Chair

EA306
EA308



Product Information

Description

This low-back chair has a lightweight aluminum frame with suspended upholstery. It has a 4-star base with 1/2" (GD) glides for hard floors or carpet and fixed seat height. The chair is available with or without a swivel mechanism.

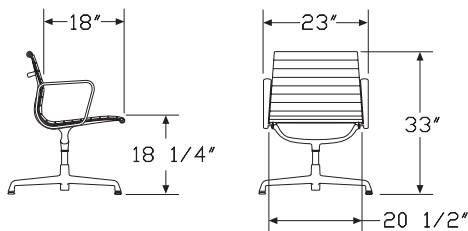
Notes

Chair is tested and warranted for use by persons 300 pounds and under. When chair is specified with Cygnus™ mesh, it meets CAL 133 requirements.

For description of glide, see Casters and Glides in Appendices.

Customer's Own Material (COM) requires 1 1/3 yards. Customer's Own Leather (COL) requires 45 square feet. See Order Information in Appendices.

Dimensions



Specification Information

Step 1.

EA30 A

Step 2. Arms

6 no arms
8 arms

Step 3. Swivel

S swivel base
F fixed base, no swivel

Prices for Steps 1-3.

EA306 S \$1320
F \$1400

EA308 S \$1720
F \$1800

Step 4. Base/Frame Finish

L polished aluminum +\$0
BK black A +\$87
G2 graphite satin A +\$87
91 white A +\$87

Eames® Aluminum Group Side Chair *continued*

Herman Miller Collection—Side & Stacking Chairs

Step 5. Fabric	
Price Category 1	+\$0
Price Category 2	+\$48
Price Category 3	+\$90
Price Category 4	+\$138
Price Category (Geiger) 4	+\$138
Price Category 5	+\$152
Price Category (Geiger) 5	+\$152
Price Category 6	+\$217
Price Category 7 A	+\$180
Price Category (Geiger) 7	+\$180
Price Category 9	+\$591
Price Category (Geiger) 10	+\$668
Price Category 10M	+\$841
Price Category 11	+\$768
Price Category B	+\$39
Price Category C	+\$57
Price Category D	+\$75
Price Category E	+\$94
Price Category F	+\$122
Price Category G	+\$159
Price Category H	+\$193
Price Category I	+\$227
Price Category J	+\$261
Price Category K	+\$294
Price Category L	+\$328

Eames® Soft Pad Side Chair

EA406
EA408



Product Information

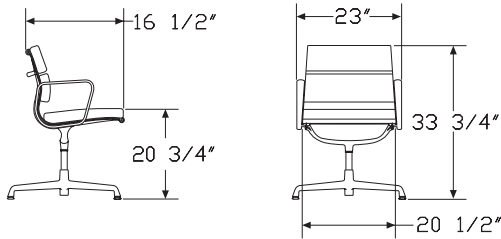
Description

This low-back chair has a lightweight aluminum frame and 2"-thick upholstered foam cushions. It has a 4-star base with 1/2" (GD) glides for hard floors or carpet and fixed seat height. The chair is available with or without a swivel mechanism.

Notes

Chair is tested and warranted for use by persons 300 pounds and under. For description of glides, see Casters and Glides in Appendices. Customer's Own Material (COM) requires 2 1/2 yards. Customer's Own Leather (COL) requires 45 square feet. See Order Information in Appendices.

Dimensions



Specification Information

Step 1.

EA40 A

Step 2. Arms

6 no arms A

8 arms A

Step 3. Swivel

S swivel base A

F fixed base, no swivel A

Prices for Steps 1-3.

EA406 S	\$2370
F	\$2450

EA408 S	\$2770
F	\$2850

Step 4. Base/Frame Finish

L polished aluminum A +\$0

BK black A +\$87

G2 graphite satin A +\$87

91 white A +\$87

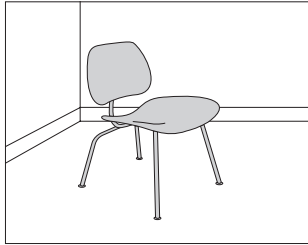
Eames® Soft Pad Side Chair *continued*

Herman Miller Collection—Side & Stacking Chairs

Step 5. Fabric	
Price Category (Geiger) 5	+\$282
Price Category 1	+\$0
Price Category 2	+\$70
Price Category 3	+\$152
Price Category (Geiger) 3	+\$152
Price Category 4	+\$234
Price Category 5	+\$282
Price Category 6	+\$300
Price Category 7	+\$288
Price Category (Geiger) 7	+\$288
Price Category 9	+\$574
Price Category (Geiger) 10	+\$649
Price Category 10M	+\$879
Price Category 11	+\$768
Price Category B	+\$71
Price Category C	+\$105
Price Category D	+\$140
Price Category E	+\$175
Price Category F	+\$230
Price Category G	+\$298
Price Category H	+\$363
Price Category I	+\$426
Price Category J	+\$490
Price Category K	+\$553
Price Category L	+\$617
Price Category M	+\$681
Price Category N	+\$744
Price Category P	+\$871

Eames® Molded Plywood Dining Chair Metal Base

DCM.



Product Information

Description

This 29½"-high molded plywood chair has natural face veneers, hardwood inner plies, and a 5-ply seat and back. It has a 4-leg base and self-leveling nylon glides. When upholstered, the back and seat shells have exposed veneer on their backside.

Notes

Red stain (11) shell finish is on birch veneer. This stain allows the wood grain to show through; inner plies are visible. Natural variations in wood grain may affect the appearance of this stain color.

Ebony (EN) shell finish is stain on ash veneer; inner plies are not as visible.

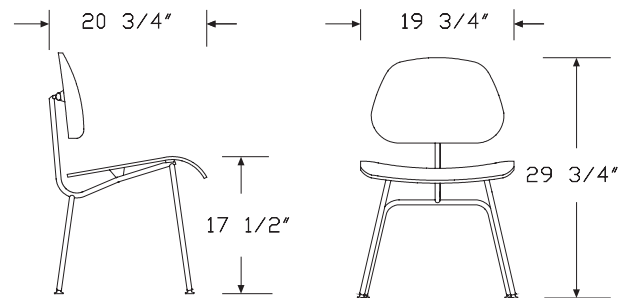
Black (BK) base finish has black glides. Trivalent chrome (47) base finish has white glides.

Santos palisander veneer is celebrated for its unique grain and color variations. Similar products ordered in multiples or dissimilar products ordered separately should be expected to have variation in both grain and color characteristics; no two products will look exactly alike.

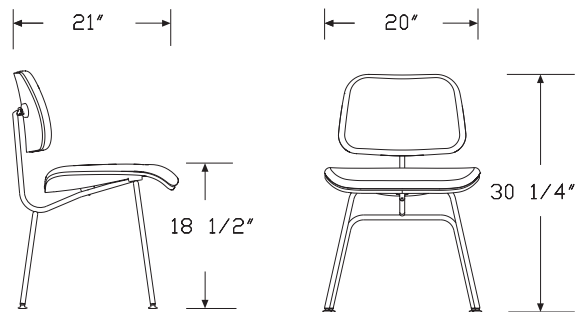
Avoid placement in direct sunlight.

Customer's Own Material (COM) requires 1 yard. Customer's Own Leather (COL), requires 18 square feet. See COM Information in Appendices for additional information.

Dimensions



nonupholstered



upholstered

Eames® Molded Plywood Dining Chair Metal Base *continued*

Specification Information

Step 1.

DC A

Step 2. Upholstery

M. nonupholstered shell A

M.U upholstered shell A

Prices for Steps 1-2.

DCM. \$766

DCM.U \$1266

Step 3. Base Finish

BK black A +\$0

47 trivalent chrome A +\$20

Step 4. Shell Finish

Wood Veneer

OU walnut A +\$0

11 red stain A +\$115

A2 white ash A +\$115

EN ebony A +\$115

9N santos palisander A +\$285

Step 5. Fabric

For upholstered shell (M.U)

Price Category 1 +\$0

Price Category 2 +\$29

Price Category 3 +\$55

Price Category (Geiger) 3 +\$55

Price Category 4 +\$83

Price Category (Geiger) 4 +\$83

Price Category 5 +\$98

Price Category (Geiger) 5 +\$87

Price Category 6 +\$115

Price Category 7 +\$175

Price Category (Geiger) 7 +\$175

Price Category 8 +\$229

Price Category 9 +\$340

Price Category 10 +\$377

Price Category (Geiger) 10 +\$377

Price Category 11 +\$411

Price Category 14 +\$493

Price Category 10M +\$317

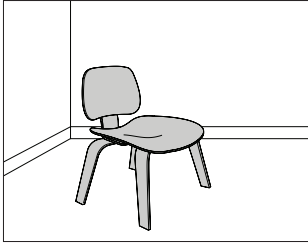
Price Category C +\$57

Price Category D +\$80

Price Category E	+\$116
Price Category F	+\$160
Price Category G	+\$272
Price Category H	+\$305
Price Category I	+\$341
Price Category J	+\$376
Price Category L	+\$462
Price Category K	+\$413
Price Category M	+\$519
Price Category N	+\$554
Price Category O	+\$589
Price Category P	+\$611
Price Category Q	+\$660
Price Category R	+\$711

Eames® Molded Plywood Dining
Chair Wood Base

DCW.



Product Information

Description

This 28³/₄"-high molded plywood chair has natural face veneers, hardwood inner plies, a 5-ply seat and back, and 8-ply legs. When upholstered, the back and seat shells have exposed veneer on their backside.

Notes

Red stain (11) finish is on birch veneer. This stain allows the wood grain to show through; inner plies are visible. Natural variations in wood grain may affect the appearance of this stain color.

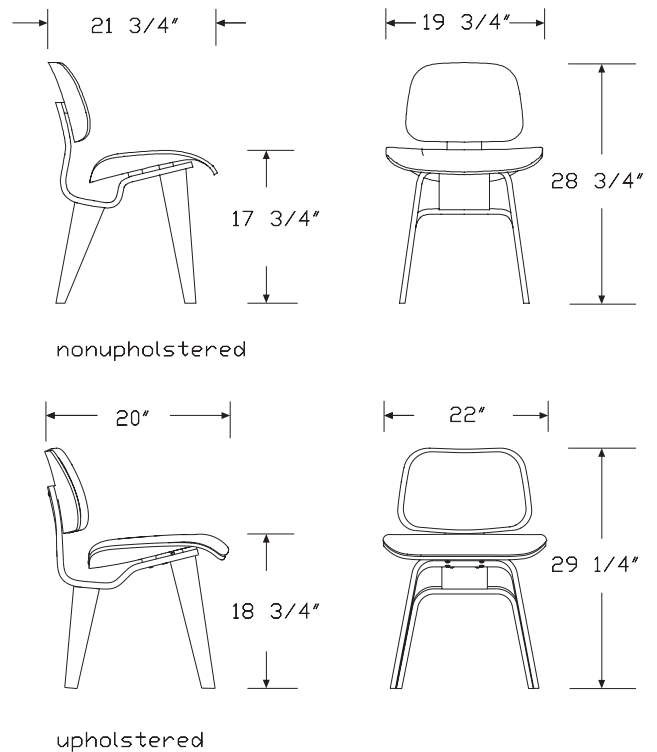
Ebony (EN) shell finish is stain on ash veneer; inner plies are not as visible.

Santos palisander veneer is celebrated for its unique grain and color variations. Similar products ordered in multiples or dissimilar products ordered separately should be expected to have variation in both grain and color characteristics; no two products will look exactly alike.

Avoid placement in direct sunlight.

Customer's Own Material (COM) requires 1 yard. Customer's Own Leather (COL), requires 18 square feet. See COM Information in Appendices for additional information.

Dimensions



Eames® Molded Plywood Dining Chair Wood Base *continued*

Specification Information

Step 1.

DC A

Step 2. Upholstery

W. nonupholstered shell A

W.U upholstered shell A

Prices for Steps 1-2.

DCW. \$1034

DCW.U \$1478

Step 3. Finish

OU walnut A +\$0

11 red stain A +\$154

A2 white ash A +\$154

EN ebony A +\$154

9N santos palisander A +\$575

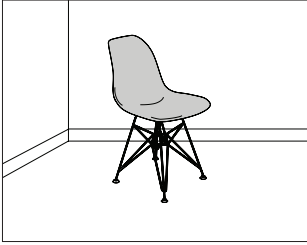
Step 4. Fabric

For upholstered shell (W.U)

Price Category 1	+\$0
Price Category 2	+\$29
Price Category 3	+\$55
Price Category 4	+\$83
Price Category (Geiger) 4	+\$83
Price Category 5	+\$98
Price Category (Geiger) 5	+\$87
Price Category 6	+\$115
Price Category 7	+\$175
Price Category (Geiger) 7	+\$175
Price Category 8	+\$229
Price Category 9	+\$340
Price Category 10	+\$317
Price Category (Geiger) 10	+\$377
Price Category 11	+\$411
Price Category 14	+\$493
Price Category 10M	+\$317
Price Category C	+\$57
Price Category D	+\$80
Price Category E	+\$116
Price Category F	+\$160
Price Category G	+\$272
Price Category H	+\$305
Price Category I	+\$341
Price Category J	+\$376
Price Category K	+\$413
Price Category L	+\$462
Price Category M	+\$519
Price Category N	+\$554
Price Category O	+\$589
Price Category P	+\$611
Price Category Q	+\$660
Price Category R	+\$711

Eames® Molded Plastic Side Chair

DSR.
DSS.
DSW.
DSX.



Product Information

Description

This chair has a single-piece nonupholstered shell with waterfall edges and molded plastic seat and flexible back. Base options include a wire base, a stacking/ganging base, a dowel base, or a 4-leg base. The dowel base has non-adjustable nylon glides. Standard glides can be ordered with or without felt. Ships assembled.

Notes

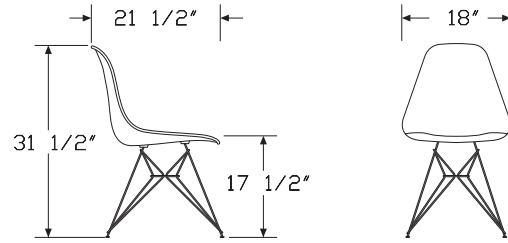
Ebony (EN) and walnut (OU) dowel legs are stained ash wood with black glides.

Natural maple (UL) and white ash (A2) dowel legs have white glides.

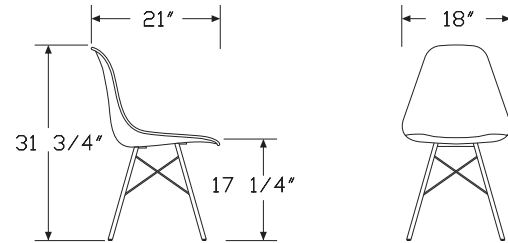
Dowel base has glide option to include felt bottom.

Stacking/ganging base chairs can stack up to 14 high. For ease of mobility, two types of dollies are available, but sold separately.

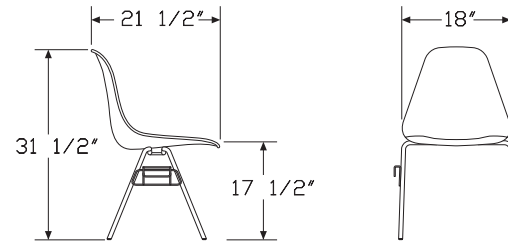
Dimensions



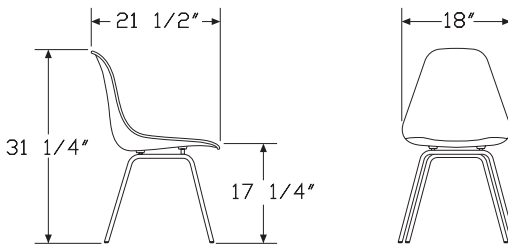
Wire Base



Dowel-Leg Base



Stacking/Ganging Base



4-Leg Base

Eames® Molded Plastic Side Chair

continued

Specification Information

Step 1.

DS

Step 2. Base Option

- R.** wire base with nonupholstered shell
- S.** stacking/ganging base with nonupholstered shell
- W.** dowel base with nonupholstered shell
- X.** 4-leg base with nonupholstered shell

Prices for Steps 1-2.

DSR.	\$350
DSS.	\$385
DSW.	\$496
DSX.	\$340

Step 3. Base Finish

For wire base with nonupholstered shell (R.), dowel base with nonupholstered shell (W.), or 4-leg base with nonupholstered shell (X.)

91	white A	+\$0
BK	black	+\$0
47	trivalent chrome	+\$20

For stacking/ganging base with nonupholstered shell (S.)

47	trivalent chrome	+\$20
-----------	------------------	-------

Step 4. Dowel Finish

For dowel base with nonupholstered shell (W.)

UL	natural maple	+\$0
A2	white ash A	+\$30
EN	ebony	+\$30
OU	walnut	+\$30

Step 5. Seat/Back Finish

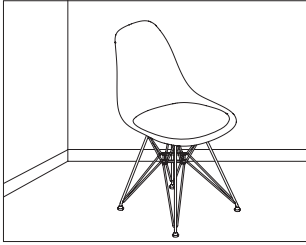
4T	aqua sky	+\$0
5B	java	+\$0
9J	sparrow	+\$0
BLE	blue ice	+\$0
BLH	blush	+\$0
CHL	charcoal	+\$0
KGR	kelly green	+\$0
PBL	peacock blue	+\$0
PYW	pale yellow	+\$0
STN	stone	+\$0
ZA	black	+\$0
ZE	red orange	+\$0
ZF	white	+\$0
ZM	alpine	+\$0

Step 6. Glide Option

E8	standard glide	+\$0
E9	standard glide with felt bottom	+\$25

Eames® Upholstered Molded Plastic Side Chair

DSR.
DSW.
DSX.



Product Information

Description

This side chair has a molded 1-piece construction with waterfall edges, molded plastic seat and flexible back. It has a fully upholstered shell or an attached upholstered seat pad. Seat pad is easily removable for cleaning or reupholstery. Base options include a wire base, dowel base, or 4-leg base. The dowel base has non-adjustable nylon glides. Standard glides can be ordered with or without felt. Ships assembled.

Notes

Ebony (EN) and walnut (OU) dowel legs are stained ash wood with black glides.

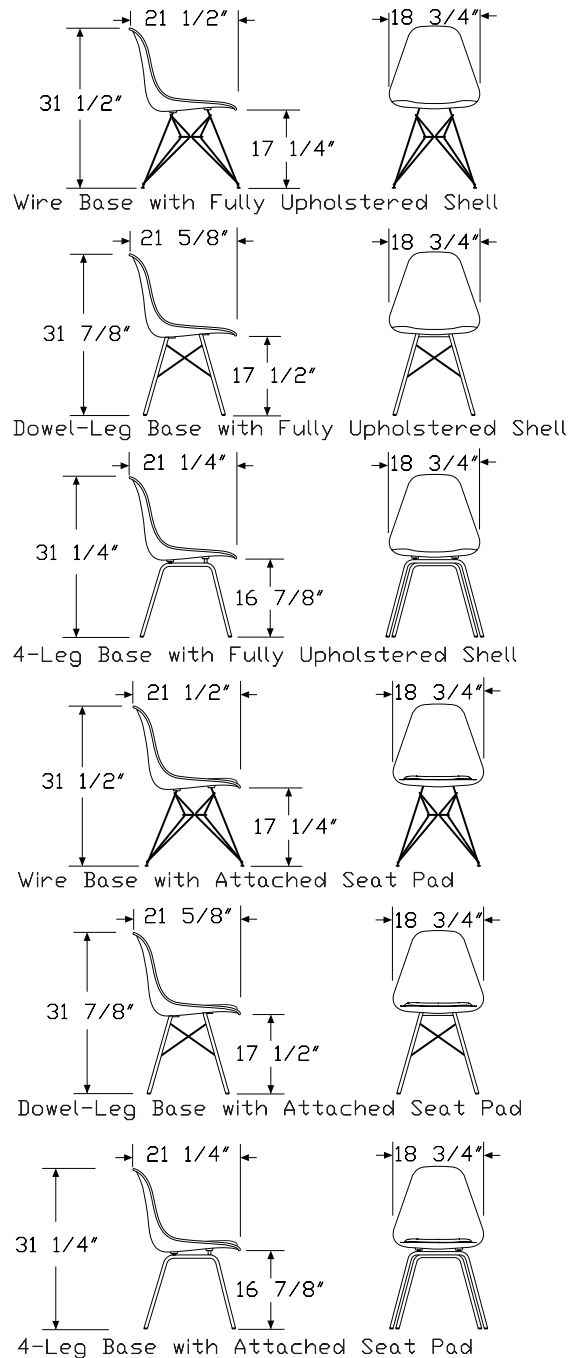
Natural maple (UL) and white ash (A2) dowel legs have white glides.

Dowel base has glide option to include felt bottom.

Seat pad is upholstered with textiles or leather for indoor use only.

For upholstered seat pad (P), Customer's Own Material (COM) requires 1 yard. Customer's Own Leather (COL) requires 9 square feet. See Order Information in appendices.

Dimensions



Eames® Upholstered Molded Plastic Side Chair *continued*

Specification Information

Step 1.

DS A

Step 2. Base

R. wire leg A

W. dowel base A

X. 4-leg base A

Step 3. Upholstery

P upholstered seat pad A

U fully upholstered shell A

Prices for Steps 1-3.

DSR.	P	\$420
	U	\$460

DSW.	P	\$566
	U	\$606

DSX.	P	\$410
	U	\$450

Step 4. Base Finish

91 white A +\$0

BK black A +\$0

47 trivalent chrome A +\$20

Step 5. Dowel Finish

For dowel base (W.)

A2 white ash A +\$30

EN ebony A +\$30

OU walnut A +\$30

UL natural maple A +\$0

Step 6. Back Finish

4T aqua sky A +\$0

5B java A +\$0

9J sparrow A +\$0

BLE blue ice +\$0

BLH blush +\$0

CHL charcoal +\$0

KGR kelly green +\$0

PBL peacock blue +\$0

PYW pale yellow +\$0

STN stone +\$0

ZA black A +\$0

ZE red orange A +\$0

ZF white A +\$0

ZM alpine +\$0

Step 7. Edge Finish

For fully upholstered shell (U)

111 parchment A +\$0

BK black A +\$0

ZF white A +\$0

Step 8. Upholstery

For fully upholstered shell (U)

Price Category 2 +\$25

Price Category 5 +\$59

Price Category 7 +\$111

Price Category 8 +\$146

Price Category B +\$45

Price Category G +\$212

Price Category H +\$212

Price Category K +\$380

For upholstered seat pad (P)

Price Category 1 +\$0

Price Category 2 +\$25

Price Category 4 +\$33

Price Category 5 +\$59

Price Category 7 +\$111

Price Category 8 +\$146

Price Category 9 +\$209

Price Category 11 +\$254

Price Category G +\$170

Price Category H +\$210

Price Category K +\$380

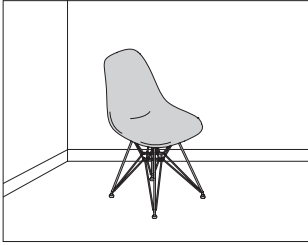
Eames® Upholstered Molded
Plastic Side Chair *continued*

Step 9. Glide Option

E8	standard glide	+\$0
E9	standard glide with felt bottom	+\$25

Eames® Molded Fiberglass Side Chair

DFSR.
DFSS.
DFSW.
DFSX.



Herman Miller Collection—Side & Stacking Chairs

Product Information

Description

This chair has a single-piece nonupholstered shell with waterfall edges and molded fiberglass seat and flexible back. Base options include a wire base, stacking/ganging base, dowel base, or a 4-leg base. The dowel base has non-adjustable nylon glides. Standard glides can be ordered with or without felt. Ships assembled.

Notes

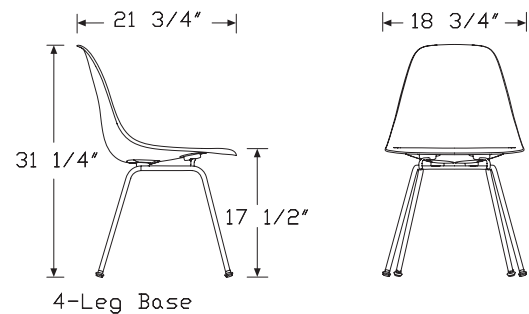
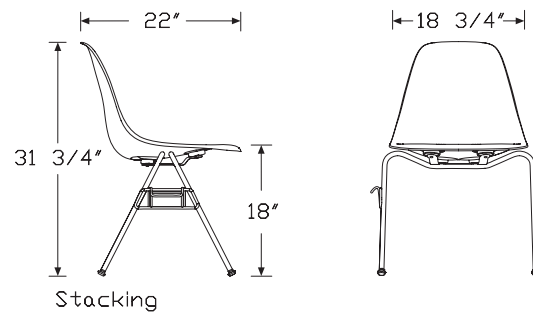
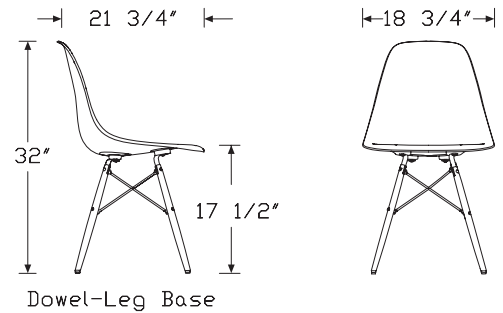
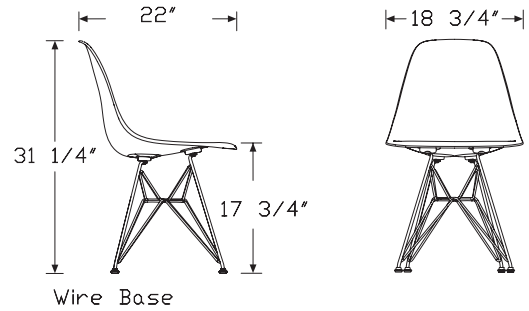
Ebony (EN) and walnut (OU) dowel legs are stained ash wood with black glides.

Natural maple (UL) and white ash (A2) dowel legs have white glides.

Dowel base has glide option to include felt bottom.

Stacking base chairs can stack up to 14 high. For ease of mobility, two types of dollies are available, but sold separately.

Dimensions



Eames® Molded Fiberglass Side Chair *continued*

Specification Information

Step 1.

DFS

Step 2. Base Option

- R.** wire base with nonupholstered shell
- S.** stacking/ganging base with nonupholstered shell
- W.** dowel base with nonupholstered shell
- X.** 4-leg base with nonupholstered shell

Prices for Steps 1-2.

DFSR.	\$562
DFSS.	\$597
DFSW.	\$708
DFSX.	\$552

Step 3. Base Finish

For wire base with nonupholstered shell (R.), dowel base with nonupholstered shell (W.), or 4-leg base with nonupholstered shell (X.)

91 white	+\$0
BK black	+\$0
47 trivalent chrome	+\$20

For stacking/ganging base with nonupholstered shell (S.)

47 trivalent chrome	+\$20
----------------------------	-------

Step 4. Dowel Finish

For dowel base with nonupholstered shell (W.)

UL natural maple	+\$0
A2 white ash	+\$30
EN ebony	+\$30
OU walnut	+\$30

Step 5. Seat/Back Finish

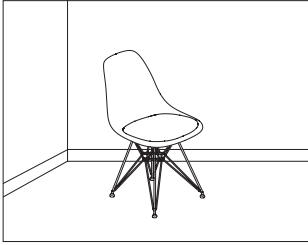
111 parchment	+\$0
112 elephant hide grey	+\$0
113 ultramarine blue	+\$0
114 red orange	+\$0
115 lemon yellow	+\$0
116 green	+\$0
117 navy blue	+\$0
118 black	+\$0
119 seal brown	+\$0

Step 6. Glide Option

E8 standard glide	+\$0
E9 standard glide with felt bottom	+\$25

Eames® Upholstered Molded Fiberglass Side Chair

DFSR.
DFSW.
DFSX.



Herman Miller Collection—Side & Stacking Chairs

Product Information

Description

This side chair has a molded 1-piece construction with waterfall edges, molded fiberglass seat and flexible back. It has a fully upholstered shell or an attached upholstered seat pad. Seat pad is easily removable for cleaning or reupholstery. Base options include a wire base, dowel base, or 4-leg base. The dowel base has non-adjustable nylon glides. Standard glides can be ordered with or without felt. Ships assembled.

Notes

Ebony (EN) and walnut (OU) dowel legs are stained ash wood with black glides.

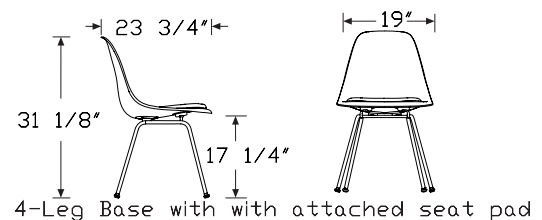
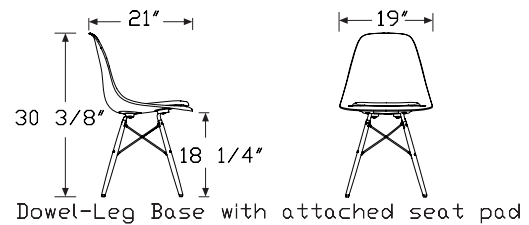
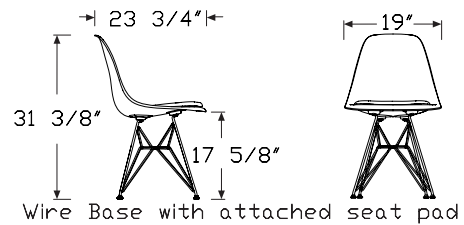
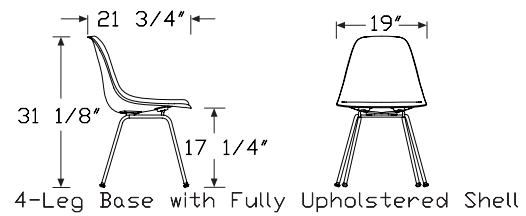
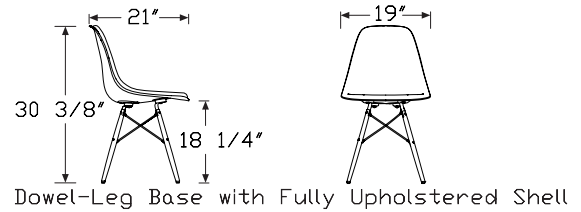
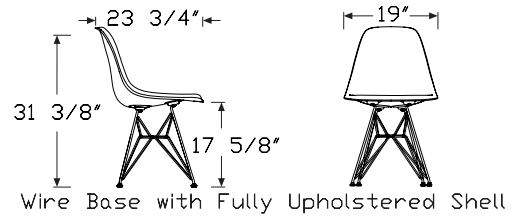
Natural maple (UL) and white ash (A2) dowel legs have white glides.

Dowel base has glide option to include felt bottom.

Seat pad is upholstered with textiles or leather for indoor use only.

For upholstered seat pad (P), Customer's Own Material (COM) requires 1 yard. Customer's Own Leather (COL) requires 9 square feet. See Order Information in appendices.

Dimensions



Eames® Upholstered Molded Fiberglass Side Chair *continued*

Specification Information

Step 1.

DFS A

Step 2. Base

R. wire leg A

W. dowel base A

X. 4-leg base A

Step 3. Upholstery

U fully upholstered shell A

P upholstered seat pad A

Prices for Steps 1-3.

DFSR. U	\$672
P	\$632

DFSW. U	\$818
P	\$778

DFSX. U	\$662
P	\$622

Step 4. Base Finish

91 white A +\$0

BK black A +\$0

47 trivalent chrome A +\$20

Step 5. Dowel Finish

For dowel base (W.)

UL natural maple A +\$0

A2 white ash A +\$30

EN ebony A +\$30

OU walnut A +\$30

Step 6. Back Finish

111 parchment A +\$0

112 elephant hide grey A +\$0

113 ultramarine blue A +\$0

114 red orange A +\$0

115 lemon yellow A +\$0

116 green A +\$0

117 navy blue A +\$0

118 black A +\$0

119 seal brown A +\$0

Step 7. Edge Finish

For fully upholstered shell (U)

ZF white A +\$0

111 parchment A +\$0

BK black A +\$0

Step 8. Upholstery

For fully upholstered shell (U)

Price Category 2 +\$25

Price Category 5 +\$59

Price Category 7 +\$111

Price Category 8 +\$146

Price Category B +\$45

Price Category G +\$212

Price Category H +\$212

Price Category K +\$380

For upholstered seat pad (P)

Price Category 1 +\$0

Price Category 2 +\$25

Price Category 4 +\$33

Price Category 5 +\$59

Price Category 7 +\$111

Price Category 8 +\$146

Price Category 9 +\$209

Price Category 11 +\$254

Price Category G +\$170

Price Category H +\$210

Price Category K +\$380

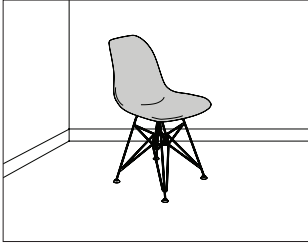
Step 9. Glide Option

E8 standard glide A +\$0

E9 standard glide with felt bottom A +\$25

Eames® Molded Wood Side Chair

DWSR.
DWSW.
DWSX.



HermanMiller Collection—Side & Stacking Chairs

Product Information

Description

This side chair has a molded one-piece construction with waterfall edges, and measures .260" in thickness. Base is attached by non-removable wooden shock mounts. Base options include a wire base, 4-leg base, or a dowel-leg base. The dowel-leg base has non-adjustable nylon glides.

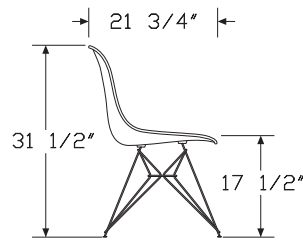
Notes

Ebony (EN) and walnut (OU) dowel legs are stained ash wood with black glides.

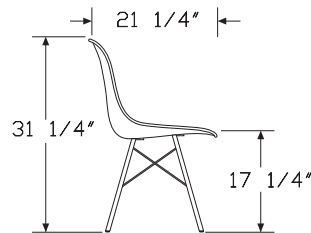
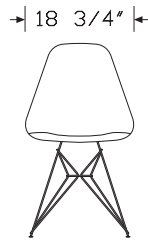
Natural maple (UL) and white ash (A2) dowel legs have white glides.

Dowel base has glide option to include felt bottom.

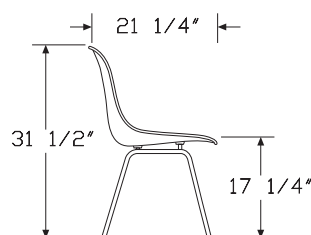
Dimensions



Wire Base



Dowel-Leg Base



4-Leg Base



Specification Information

Step 1.

DWS A

Step 2. Base Option

R. wire base

W. dowel base A

X. 4-leg base A

Prices for Steps 1-2.

DWSR.	\$753
DWSW.	\$899
DWSX.	\$743

Step 3. Base Finish

91 white <input type="checkbox"/> A	+\$0
BK black	+\$0
47 trivalent chrome	+\$20

Step 4. Dowel Finish

For dowel base (W.)

UL natural maple <input type="checkbox"/> A	+\$0
A2 white ash <input type="checkbox"/> A	+\$30
EN ebony <input type="checkbox"/> A	+\$30
OU walnut	+\$30

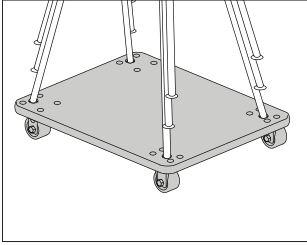
Step 5. Seat/Back Finish

EN ebony <input type="checkbox"/> A	+\$116
OU walnut <input type="checkbox"/> A	+\$0
A2 white ash <input type="checkbox"/> A	+\$116
9N santos palisander	+\$289

Step 6. Glide Option

E8 standard glide	+\$0
E9 standard glide with felt bottom	+\$25

Eames® Side Chair Stacking Base DOLLY.
Dolly



Product Information

Description

This chair dolly stores and transports up to 28 Eames® plastic side chairs with the stacking/ganging base option. It is made of plywood and has 2 locking and 2 non-locking casters.

Notes

Single dolly supports 1 stack of 14 chairs. Double dolly supports 2 stacks of 14 chairs.

Dimensions

Specification Information

Step 1.

DOLLY.

Step 2. Type

A single

B double

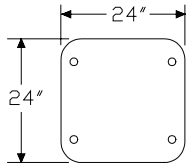
Prices for Steps 1-2.

DOLLY. A

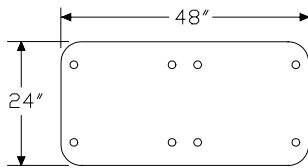
\$473

B

\$552



A (Single)



B (Double)

Eames® Wire Chair

DKR.
DKW.
DKX.



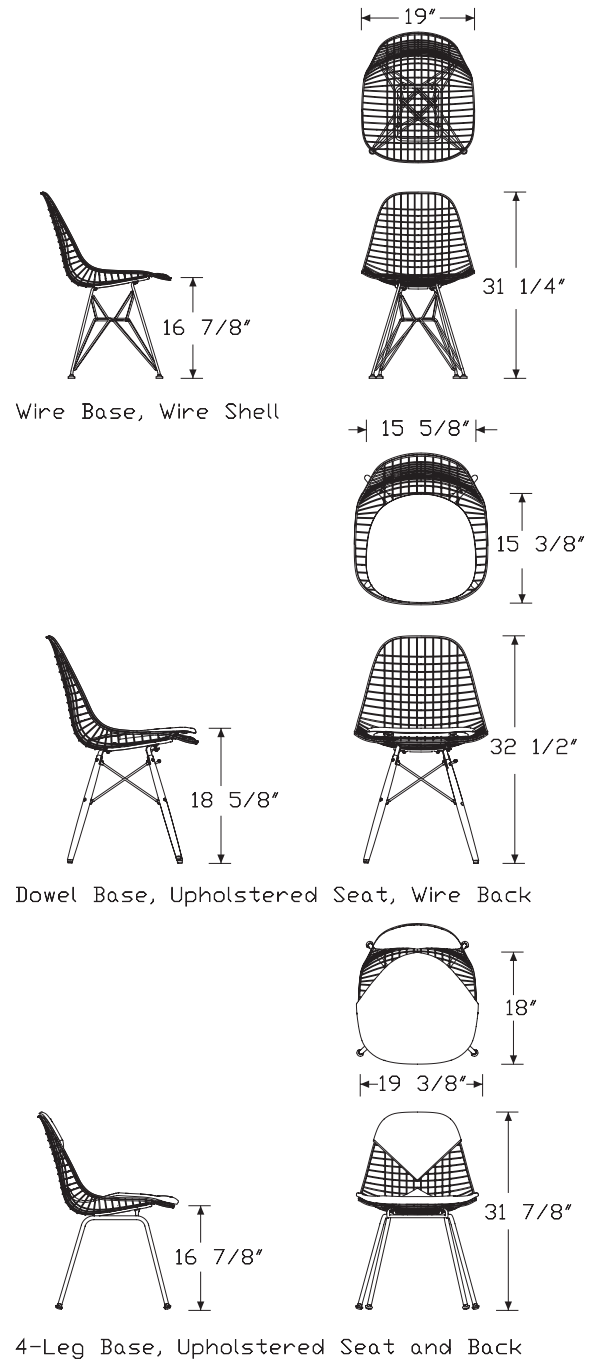
Herman Miller Collection—Side & Stacking Chairs

Product Information

Description

This chair has a wire shell, a wire shell with upholstered seat and back, or a wire shell with upholstered seat and wire back. Wire shell and metal bases are available in trivalent chrome, white or black. Dowel base is available in several finishes. Chair comes with standard indoor glides with or without felt. Suitable for indoor use only.

Dimensions



Specification Information

Step 1.

DK A

Step 2. Base

R. wire leg A

X. 4-leg base A

W. dowel base A

Step 3. Seat/Back Material

0 wire shell

2 wire shell/upholstered seat/back

5 wire shell/upholstered seat/wire back

Prices for Steps 1-3.

DKR.	0	\$799
	2	\$1290
	5	\$1049

DKX.	0	\$789
	2	\$1280
	5	\$1039

DKW.	0	\$945
	2	\$1436
	5	\$1195

Step 4. Seat Frame/Leg Finish

47 trivalent chrome +\$20

91 white +\$0

BK black +\$0

Step 5. Dowel Finish

For dowel base (W.)

UL natural maple A +\$0

A2 white ash A +\$30

EN ebony A +\$30

OU walnut A +\$30

Step 6. Upholstery

For wire shell/upholstered seat/back (2)

Price Category 5 +\$59

Price Category 9 +\$209

Price Category 11 +\$254

Price Category D +\$79

Price Category K +\$380

For wire shell/upholstered seat/wire back (5)

Price Category 1 A +\$0

Price Category 2 +\$25

Price Category 4 +\$33

Price Category 5 +\$59

Price Category 9 +\$209

Price Category 11 +\$254

Price Category G +\$170

Price Category H +\$210

Price Category K +\$380

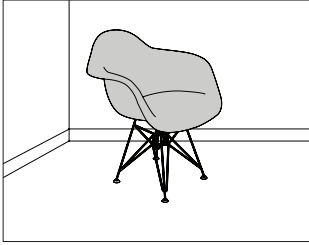
Step 7. Glide Option

E8 standard glide A +\$0

E9 standard glide with felt bottom A +\$25

Eames® Molded Plastic Armchair

DAR.
DAW.
DAX.



Herman Miller Collection—Side & Stacking Chairs

Product Information

Description

This chair has a single-piece shell with waterfall edges and molded back, seat and arms. Base options include a wire base, dowel base, or a 4-leg base. The dowel base has non-adjustable nylon glides.

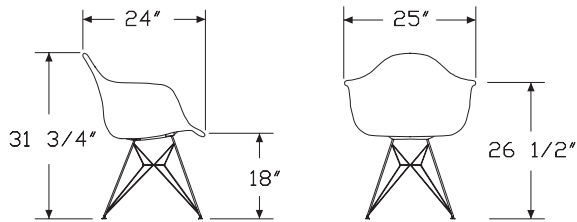
Notes

Ebony (EN) and walnut (OU) dowel legs are stained ash wood with black glides.

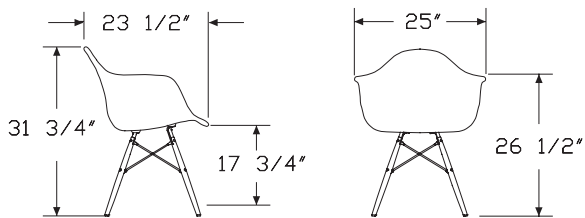
Natural maple (UL) and white ash (A2) dowel legs have white glides.

Dowel base has glide option to include felt bottom.

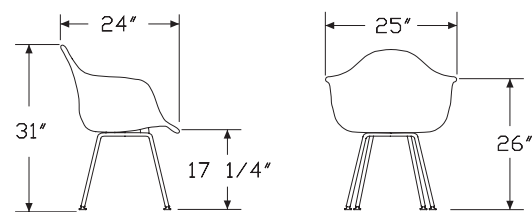
Dimensions



Wire Base



Dowel-Leg Base



4-Leg Base

Specification Information

Step 1.

DA

Step 2. Base Option

- R.** wire base with nonupholstered shell
- W.** dowel base with nonupholstered shell
- X.** 4-leg base with nonupholstered shell

Prices for Steps 1-2.

DAR.	\$490
DAW.	\$636
DAX.	\$480

Step 3. Base Finish

91	white A	+\$0
BK	black	+\$0
47	trivalent chrome	+\$20

Step 4. Dowel Finish

For dowel base with nonupholstered shell (W.)

UL	natural maple	+\$0
A2	white ash A	+\$30
EN	ebony	+\$30
OU	walnut	+\$30

Step 5. Seat/Back Finish

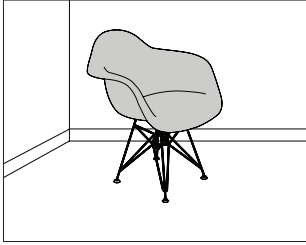
4T	aqua sky	+\$0
5B	java	+\$0
9J	sparrow	+\$0
BLE	blue ice	+\$0
BLH	blush	+\$0
CHL	charcoal	+\$0
KGR	kelly green	+\$0
PBL	peacock blue	+\$0
PYW	pale yellow	+\$0
STN	stone	+\$0
ZA	black	+\$0
ZE	red orange	+\$0
ZF	white	+\$0
ZM	alpine	+\$0

Step 6. Glide Option

E8	standard glide	+\$0
E9	standard glide with felt bottom	+\$25

Eames® Upholstered Molded Plastic Armchair

DAR.
DAW.
DAX.



Product Information

Description

This chair has a single-piece molded plastic shell with waterfall edges and upholstered back, seat and arms or an upholstered seat pad. Base options include a wire base, dowel base, or a 4-leg base. The dowel base has non-adjustable nylon glides. Standard glides can be ordered with or without felt. Ships assembled.

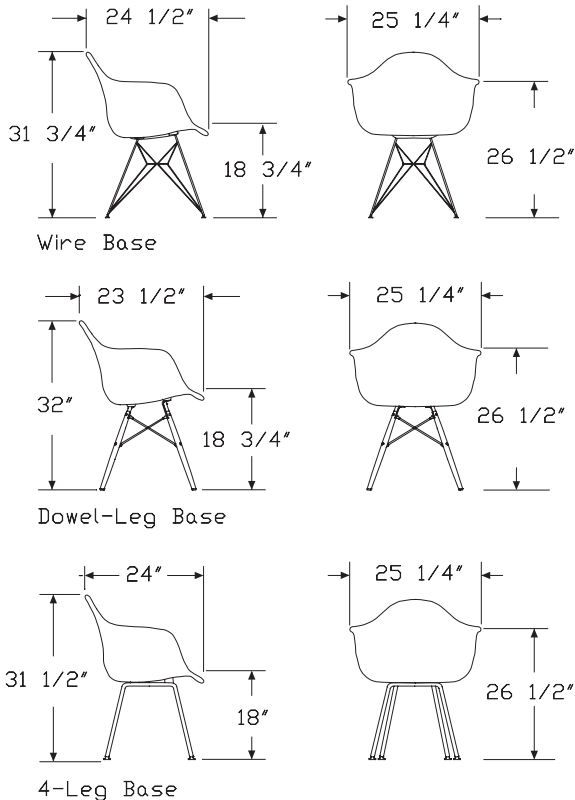
Notes

Ebony (EN) and walnut (OU) dowel legs are stained ash wood with black glides.

Natural maple (UL) and white ash (A2) dowel legs have white glides.

Dowel base has glide option to include felt bottom.

Dimensions



Specification Information

Step 1.

DA

Step 2. Base Option

R. wire leg

W. dowel base

X. 4-leg base

Step 3. Upholstery

P upholstered seat pad

U fully upholstered shell

Prices for Steps 1-3.

DAR.	P	\$560
	U	\$600
DAW.	P	\$706
	U	\$746
DAX.	P	\$550
	U	\$590

Step 4. Base Finish

91	white <input type="checkbox"/>	+\$0
BK	black <input type="checkbox"/>	+\$0
47	trivalent chrome <input type="checkbox"/>	+\$20

Step 5. Dowel Finish

For dowel base (W.)

UL	natural maple <input type="checkbox"/>	+\$0
A2	white ash <input type="checkbox"/>	+\$30
EN	ebony <input type="checkbox"/>	+\$30
OU	walnut <input type="checkbox"/>	+\$30

Eames® Upholstered Molded Plastic Armchair *continued*

Step 6. Back Finish		
4T	aqua sky <input type="checkbox"/> A	+\$0
5B	java <input type="checkbox"/> A	+\$0
9J	sparrow <input type="checkbox"/> A	+\$0
ZA	black <input type="checkbox"/> A	+\$0
ZE	red orange <input type="checkbox"/> A	+\$0
ZF	white <input type="checkbox"/> A	+\$0
ZM	alpine	+\$0
PYW	pale yellow	+\$0
BLE	blue ice	+\$0
BLH	blush	+\$0
PBL	peacock blue	+\$0
STN	stone	+\$0
KGR	kelly green	+\$0
CHL	charcoal	+\$0

Step 7. Edge Finish		
<i>For fully upholstered shell (U)</i>		
111	parchment <input type="checkbox"/> A	+\$0
BK	black <input type="checkbox"/> A	+\$0
ZF	white <input type="checkbox"/> A	+\$0

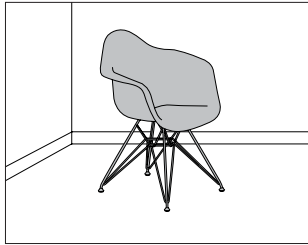
Step 8. Fabric		
<i>For fully upholstered shell (U)</i>		
Price Category 2		+\$35
Price Category 5		+\$45
Price Category B		+\$45
Price Category H		+\$212
Price Category K		+\$380

<i>For upholstered seat pad (P)</i>		
Price Category 1		+\$0
Price Category 2		+\$25
Price Category 4		+\$33
Price Category 5		+\$59
Price Category 9		+\$209
Price Category 11		+\$254
Price Category G		+\$170
Price Category H		+\$210
Price Category K		+\$380

Step 9. Glide Option		
E8	standard glide	+\$0
E9	standard glide with felt bottom	+\$25

Eames® Molded Fiberglass
Armchair

DFAR.
DFAW.
DFAX.



Product Information

Description

This chair has a single-piece nonupholstered shell with waterfall edges and molded fiberglass back, seat and arms. Base options include a wire base, dowel base, or a 4-leg base. The dowel base has nonadjustable nylon glides. Standard glides can be ordered with or without felt. Ships assembled.

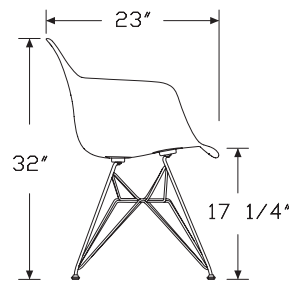
Notes

Ebony (EN) and walnut (OU) dowel legs are stained ash wood with black glides.

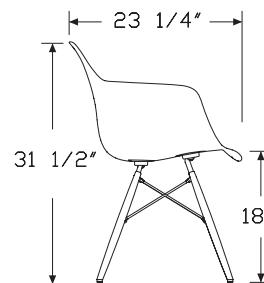
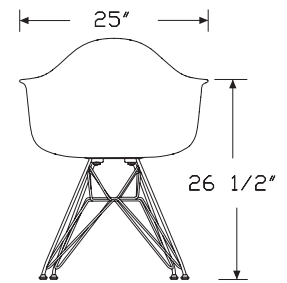
Natural maple (UL) and white ash (A2) dowel legs have white glides.

Dowel base has glide option to include felt bottom.

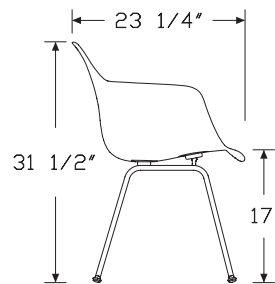
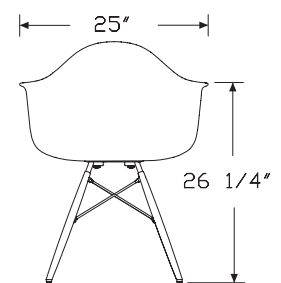
Dimensions



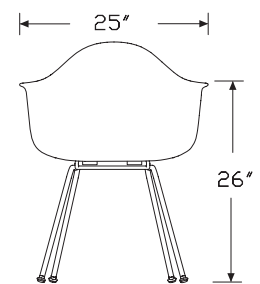
Wire Base



Dowel-Leg Base



4-Leg Base



Eames® Molded Fiberglass Armchair *continued*

Specification Information

Step 1.

DFA

Step 2. Base Option

- R.** wire base with nonupholstered shell
- W.** dowel base with nonupholstered shell
- X.** 4-leg base with nonupholstered shell

Prices for Steps 1-2.

DFAR.	\$655
DFAW.	\$801
DFAX.	\$645

Step 3. Base Finish

91	white	+\$0
BK	black	+\$0
47	trivalent chrome	+\$20

Step 4. Dowel Finish

For dowel base with nonupholstered shell (W.)

UL	natural maple	+\$0
A2	white ash	+\$30
EN	ebony	+\$30
OU	walnut	+\$30

Step 5. Seat/Back Finish

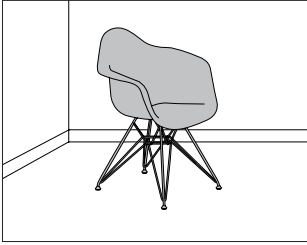
111	parchment	+\$0
112	elephant hide grey	+\$0
113	ultramarine blue	+\$0
114	red orange	+\$0
115	lemon yellow	+\$0
116	green	+\$0
117	navy blue	+\$0
118	black	+\$0
119	seal brown	+\$0

Step 6. Glide Option

E8	standard glide	+\$0
E9	standard glide with felt bottom	+\$25

Eames® Upholstered Molded
Fiberglass Armchair

DFAR.
DFAW.
DFAX.



Product Information

Description

This chair has a single-piece molded fiberglass shell with waterfall edges and upholstered back, seat and arms or an upholstered seat pad. Base options include a wire base, dowel base, or 4-leg base. The dowel base has nonadjustable nylon glides. Standard glides can be ordered with or without felt. Ships assembled.

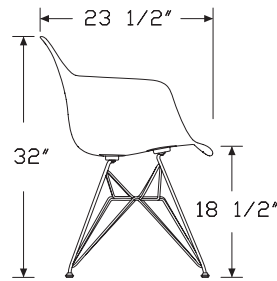
Notes

Ebony (EN) and walnut (OU) dowel legs are stained ash wood with black glides.

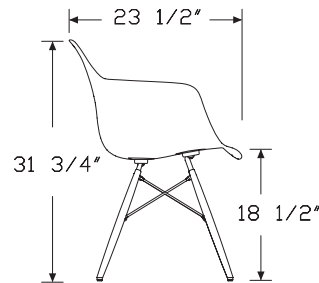
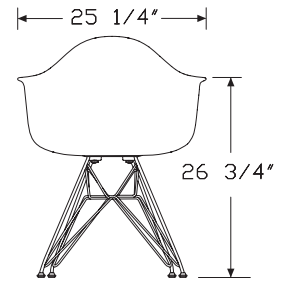
Natural maple (UL) and white ash (A2) dowel legs have white glides.

Dowel base has glide option to include felt bottom.

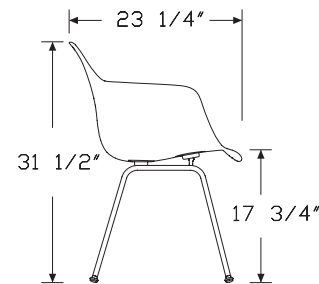
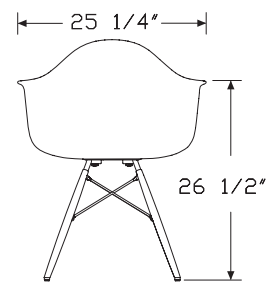
Dimensions



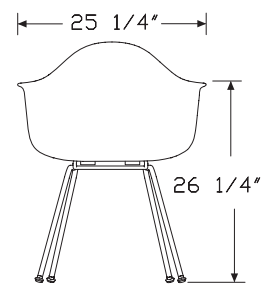
Wire Base



Dowel-Leg Base



4-Leg Base



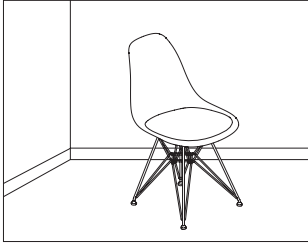
Eames® Upholstered Molded Fiberglass Armchair *continued*

Specification Information	
Step 1.	
DFA	<input type="checkbox"/> A
Step 2. Base Option	
R.	wire leg <input type="checkbox"/> A
W.	dowel base <input type="checkbox"/> A
X.	4-leg base <input type="checkbox"/> A
Step 3. Upholstery	
U	fully upholstered shell <input type="checkbox"/> A
P	upholstered seat pad <input type="checkbox"/> A
Prices for Steps 1-3.	
DFAR. U	\$765
P	\$675
DFAW. U	\$911
P	\$871
DFAX. U	\$755
P	\$715
Step 4. Base Finish	
91	white <input type="checkbox"/> A +\$0
BK	black <input type="checkbox"/> A +\$0
47	trivalent chrome <input type="checkbox"/> A +\$20
Step 5. Dowel Finish	
<i>For dowel base (W.)</i>	
UL	natural maple <input type="checkbox"/> A +\$0
A2	white ash <input type="checkbox"/> A +\$30
EN	ebony <input type="checkbox"/> A +\$30
OU	walnut <input type="checkbox"/> A +\$30
Step 6. Back Finish	
111	parchment <input type="checkbox"/> A +\$0
112	elephant hide grey <input type="checkbox"/> A +\$0
113	ultramarine blue <input type="checkbox"/> A +\$0
114	red orange <input type="checkbox"/> A +\$0
115	lemon yellow <input type="checkbox"/> A +\$0
116	green <input type="checkbox"/> A +\$0
117	navy blue <input type="checkbox"/> A +\$0
118	black <input type="checkbox"/> A +\$0
119	seal brown <input type="checkbox"/> A +\$0

Step 7. Edge Finish	
<i>For fully upholstered shell (U)</i>	
111	parchment <input type="checkbox"/> A +\$0
BK	black <input type="checkbox"/> A +\$0
ZF	white <input type="checkbox"/> A +\$0
Step 8. Fabric	
<i>For fully upholstered shell (U)</i>	
Price Category 2	+\$35
Price Category 5	+\$45
Price Category B	+\$45
Price Category H	+\$212
Price Category K	+\$380
<i>For upholstered seat pad (P)</i>	
Price Category 1	+\$0
Price Category 2	+\$25
Price Category 4	+\$33
Price Category 5	+\$59
Price Category 9	+\$209
Price Category 11	+\$254
Price Category G	+\$170
Price Category H	+\$210
Price Category K	+\$380
Step 9. Glide Option	
E8	standard glide <input type="checkbox"/> A +\$0
E9	standard glide with felt bottom <input type="checkbox"/> A +\$25

Eames® Upholstered Molded Wood Side Chair

DWSR.
DWSW.
DWSX.



Product Information

Description

This side chair has a molded one-piece construction with waterfall edges, and measures .260" in thickness. It comes with an attached upholstered seat pad that is easily removable for cleaning or reupholstery. Base is attached by non-removable wooden shock mounts. Base options include a wire base, 4-leg base, or a dowel-leg base. The dowel-leg base has non-adjustable nylon glides.

Notes

Ebony (EN) and walnut (OU) dowel legs are stained ash wood with black glides.

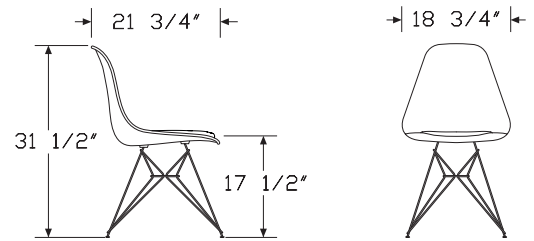
Natural maple (UL) and white ash (A2) dowel legs have white glides.

Dowel base has glide option to include felt bottom.

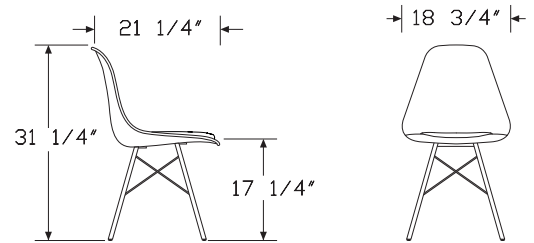
Seat pad is upholstered with textiles or leather for indoor use only.

Customer's Own Material (COM) requires 1 yard. Customer's Own Leather (COL) requires 9 square feet. See Order Information in appendices.

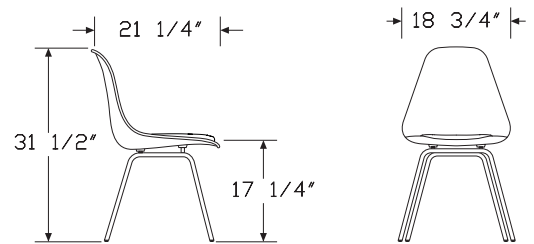
Dimensions



Wire Base



Dowel-Leg Base



4-Leg Base

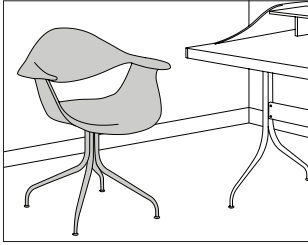
Eames® Upholstered Molded Wood Side Chair *continued*

Specification Information	
Step 1.	
DWS	<input type="checkbox"/> A
Step 2. Base Option	
R.	wire base
W.	dowel base <input type="checkbox"/> A
X.	4-leg base <input type="checkbox"/> A
Step 3. Upholstery	
P	upholstered seat pad <input type="checkbox"/> A
Prices for Steps 1-3.	
DWSR. P	\$823
DWSW. P	\$969
DWSX. P	\$813
Step 4. Base Finish	
91	white <input type="checkbox"/> A +\$0
BK	black +\$0
47	trivalent chrome +\$20
Step 5. Dowel Finish	
<i>For dowel base (W.)</i>	
UL	natural maple <input type="checkbox"/> A +\$0
A2	white ash <input type="checkbox"/> A +\$30
EN	ebony <input type="checkbox"/> A +\$30
OU	walnut +\$30
Step 6. Seat/Back Finish	
EN	ebony <input type="checkbox"/> A +\$116
OU	walnut <input type="checkbox"/> A +\$0
A2	white ash <input type="checkbox"/> A +\$116
9N	santos palisander +\$289

Step 7. Upholstery	
Price Category 1	+\$0
Price Category 2	+\$25
Price Category 4	+\$33
Price Category 5	+\$59
Price Category 7	+\$111
Price Category 8	+\$146
Price Category 9	+\$209
Price Category 11	+\$254
Price Category G	+\$170
Price Category H	+\$210
Price Category K	+\$380
Step 8. Glide Option	
E8	standard glide +\$0
E9	standard glide with felt bottom +\$25

Nelson™ Swag Leg Armchair

DAF

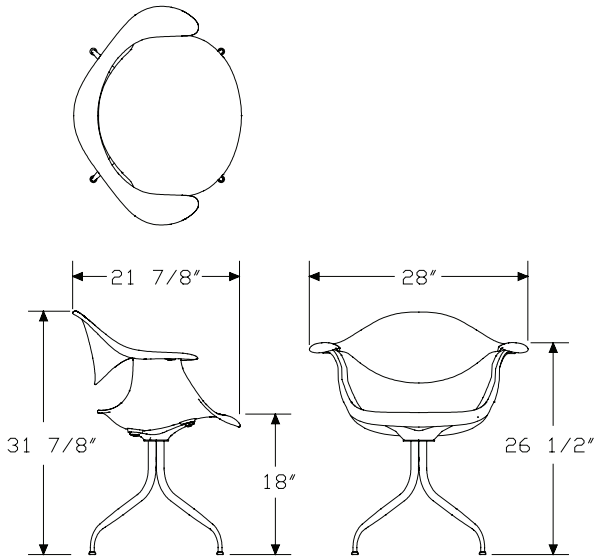


Product Information

Description

This chair has a 2-piece molded seat with arms and back, waterfall edges, a cast-aluminum base with steel-tube legs, and adjustable glides.

Dimensions



Specification Information

Step 1.

DAF A \$728

Step 2. Base Finish

CH chrome A +\$0

Step 3. Seat Finish

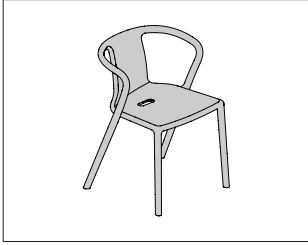
ZF white A +\$0

Step 4. Back Finish

ZF white A +\$0

Air-Chair

MGA00.



Herman Miller Collection—Side & Stacking Chairs

Product Information

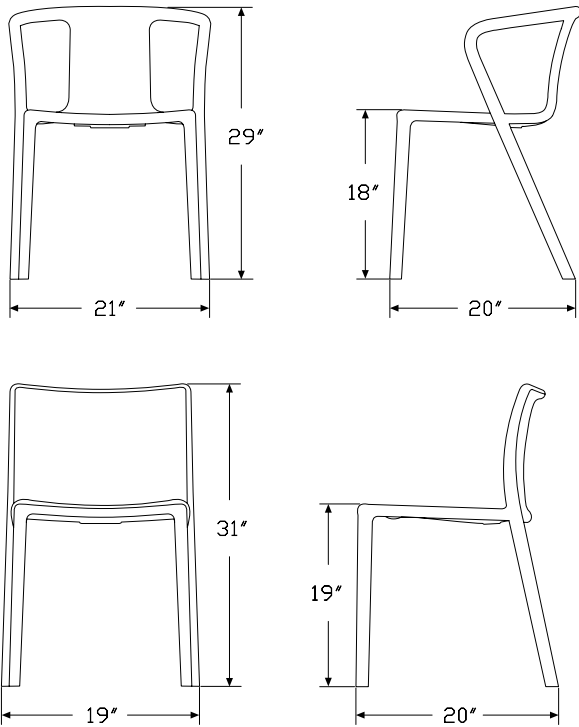
Description

This stacking chair is available with or without arms and is made from polypropylene with glass fibre added. Chairs can stack up to 10 high. Package contains 4 chairs.

Notes

This chair is suitable for outdoor use.

Dimensions



Specification Information

Step 1.

MGA00.

Step 2. Arms

- N** no arms
- A** arms

Prices for Steps 1-2.

MGA00.N	\$773
A	\$858

Step 3. Finish

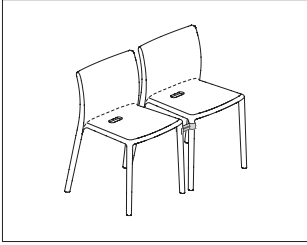
For no arms (N)

YBB	beige <input type="checkbox"/>	+\$0
YBC	black <input type="checkbox"/>	+\$0
YBH	green <input type="checkbox"/>	+\$0
YBM	orange <input type="checkbox"/>	+\$0
YBP	white	+\$0
PWH	pure white <input type="checkbox"/>	+\$0

For arms (A)

YBB	beige <input type="checkbox"/>	+\$0
YBH	green <input type="checkbox"/>	+\$0
YBJ	grey anthracite <input type="checkbox"/>	+\$0
YBM	orange <input type="checkbox"/>	+\$0
YBP	white	+\$0
PWH	pure white <input type="checkbox"/>	+\$0

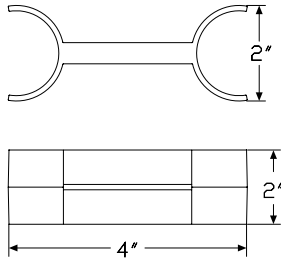
Air-Chair to Air-Chair Connector MGA90.



Product Information

Description
This linking device connects air-chair to air-chair (MGA01, MGA11.)

Dimensions

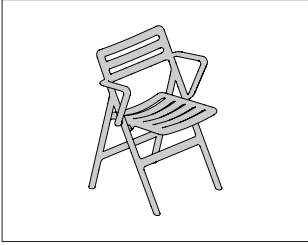


Specification Information

Step 1.
MGA90. A \$15

Air-Folding Chair

MGA01.



Herman Miller Collection—Side & Stacking Chairs

Product Information

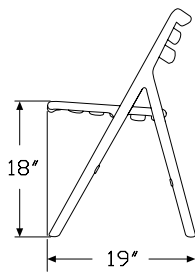
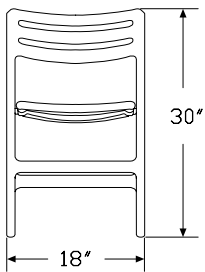
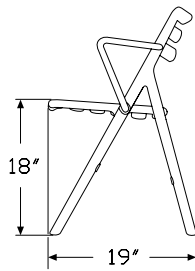
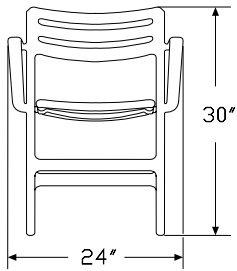
Description

This folding chair is made from polypropylene with glass fibre added. It is available with or without arms. Package contains 2 chairs.

Notes

This chair is suitable for outdoor use.

Dimensions



Specification Information

Step 1.

MGA01.

Step 2. Arms

N no arms

A arms **A**

Prices for Steps 1-2.

MGA01.N	\$428
A	\$474

Step 3. Finish

For no arms (N)

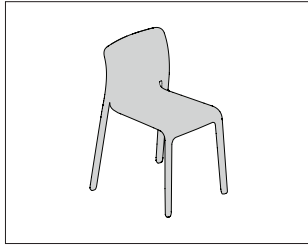
YBH green <input type="checkbox"/> A	+\$0
YBM orange <input type="checkbox"/> A	+\$0
YBP white	+\$0

For arms (A)

YBP white	+\$0
------------------	------

Chair First

MGF00.



Product Information

Description

This stacking chair is made from polypropylene with glass fibre added. Chairs can stack up to 10 high. Package contains 4 chairs.

Notes

Chair is suitable for outdoor use.

Dimensions

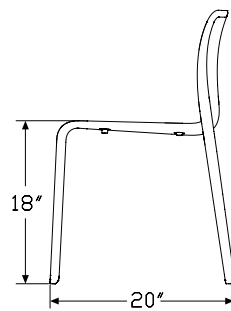
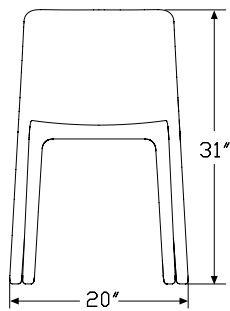
Specification Information

Step 1.

MGF00. A \$1091

Step 2. Finish

YGB beige A +\$0
YGC black A +\$0
YGH olive green A +\$0
YGM white A +\$0



Chair_One Stacking Base

MGE00.



Herman Miller Collection—Side & Stacking Chairs

Product Information

Description

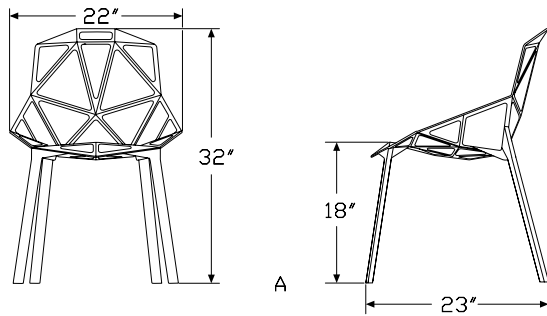
This chair comes with a four-leg base. Chairs can stack up to 8 high. Package contains 2 chairs.

Notes

Chairs with painted aluminum seat and legs or painted aluminum seat/ polished aluminum legs are suitable for outdoor use.

Chairs with polished aluminum seat and legs (AL) are NOT suitable for outdoor use.

Dimensions



Specification Information

Step 1.

MGE00.A [A]

Step 2. Seat/Leg Material

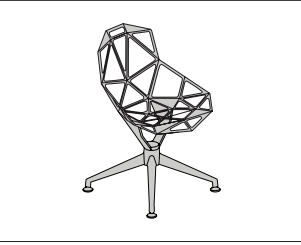
PA painted aluminum seat and legs [A]

Prices for Steps 1-2.

MGE00.A PA \$1150

Step 3. Seat Finish

- YHB** black [A] +\$0
- YHP** white [A] +\$0
- HAA** ADAPTA grey [A] +\$240
- HAB** ADAPTA white [A] +\$240
- HAC** ADAPTA grey/green [A] +\$240
- HAD** ADAPTA blue [A] +\$240



Product Information

Description

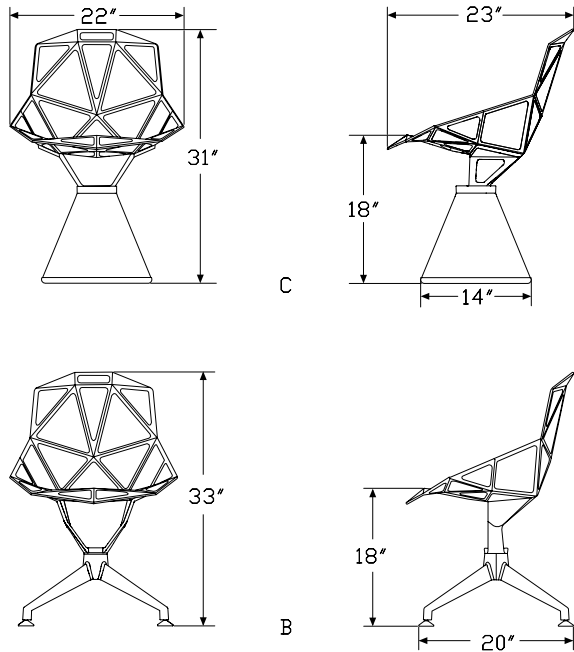
This chair is available with a four-star or concrete base, with or without swivel.

Notes

Chairs with painted aluminum seat and legs (PA) or painted aluminum seat and concrete base (PC) are suitable for outdoor use.

Chairs with polished aluminum seat and legs (AL) or polished aluminum with concrete base (PD) are NOT suitable for outdoor use.

Dimensions



Specification Information

Step 1.

MGE00. [A]

Step 2. Base

- B** 4-star base [A]
- C** concrete base [A]
- D** 4-star base, swivel [A]
- E** concrete base, swivel [A]

Step 3. Seat/Leg Material

For 4-star base (B) or 4-star base, swivel (D)

PA painted aluminum seat and legs [A]

For concrete base (C) or concrete base, swivel (E)

PC painted aluminum seat/natural concrete base [A]

Prices for Steps 1-3.

	PA	PC
MGE00.B	\$730	—
C	—	\$870
D	\$730	—
E	—	\$1130

Step 4. Seat Finish

For 4-star base (B) or 4-star base, swivel (D) with painted aluminum seat and legs (PA)

YHB black [A]	+\$0
YHP white [A]	+\$0
HAA ADAPTA grey [A]	+\$240
HAB ADAPTA white [A]	+\$240
HAC ADAPTA grey/green [A]	+\$240
HAD ADAPTA blue [A]	+\$240

For concrete base (C) or concrete base, swivel (E) with painted aluminum seat/natural concrete base (PC)

YHB black [A]	+\$0
YHM red [A]	+\$0
YHP white [A]	+\$0
HAA ADAPTA grey [A]	+\$200
HAB ADAPTA white [A]	+\$200
HAC ADAPTA grey/green [A]	+\$200
HAD ADAPTA blue [A]	+\$200

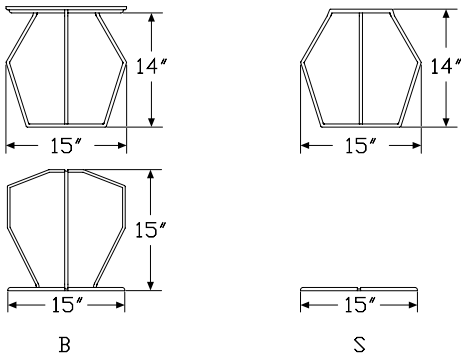


Product Information

Description

This cushion is available as a seat and back or seat only. Package contains 2 seat and back cushions or 2 seat cushions.

Dimensions



Specification Information

Step 1.

MGE90. A

Step 2. Type

S seat cushion A

B seat and back cushion A

Prices for Steps 1-2.

MGE90.S	\$338
B	\$521

Step 3. Fabric

For seat cushion (S)

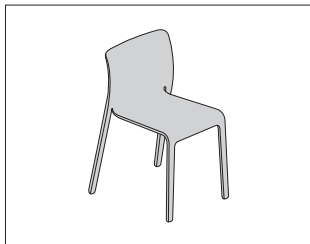
PN1	white polyurethane <input type="checkbox"/> A	+\$0
PN2	black polyurethane <input type="checkbox"/> A	+\$0
PN3	grey polyurethane <input type="checkbox"/> A	+\$0
PN4	blue polyurethane <input type="checkbox"/> A	+\$0
PN5	grey/green polyurethane <input type="checkbox"/> A	+\$0
YHC	black leather <input type="checkbox"/> A	+\$264
YHK	natural leather <input type="checkbox"/> A	+\$264

For seat and back cushion (B)

YHC	black leather <input type="checkbox"/> A	+\$366
YHK	natural leather <input type="checkbox"/> A	+\$366

Dressed First

MGX00.

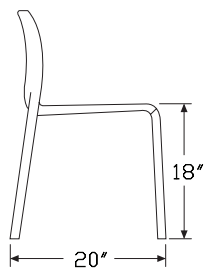
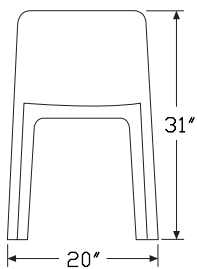


Product Information

Description

This stacking chair is made from polyurethane foam covered with fabric. Package contains 2 chairs.

Dimensions



Specification Information

Step 1.

MGX00. A \$2307

Step 2. Fabric

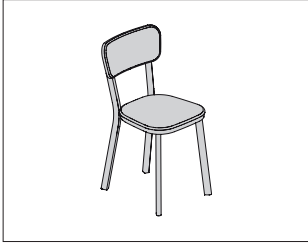
Price Category G +\$0

Price Category H +\$0

Herman Miller Collection—Side & Stacking Chairs

Deja-Vu Chair

MGD00.



Herman Miller Collection—Side & Stacking Chairs

Product Information

Description

This chair is available in polished or painted aluminum. Painted version is suitable for outdoor use.

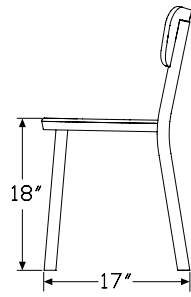
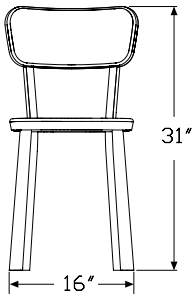
Notes

Seat and inner back material is die-cast aluminum. Legs are extruded aluminum.

Painted aluminum (PA) finish is suitable for outdoor use.

Polished aluminum (AL) finish is NOT suitable for outdoor use.

Dimensions



Specification Information

Step 1.

MGD00. A

Step 2. Finish

AL polished aluminum A

PA painted aluminum

Prices for Steps 1-2.

MGD00.AL	\$755
PA	\$809

Step 3. Leg/Seat/Back Finish

For polished aluminum (AL)

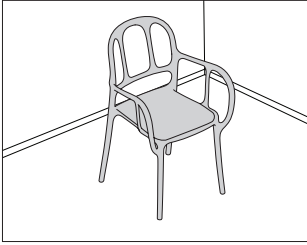
YFD polished aluminum A + \$0

For painted aluminum (PA)

YFB black A + \$0

Mila Chair

XXSD2

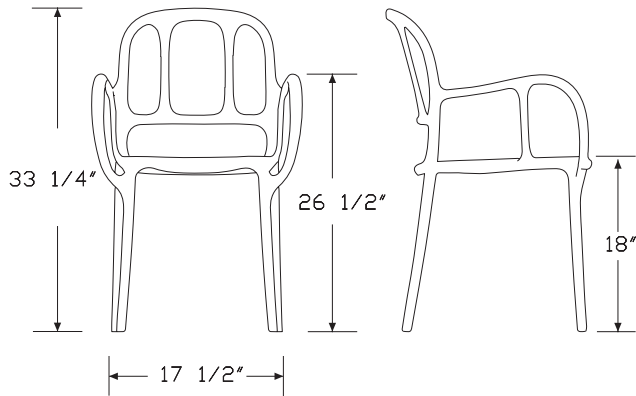
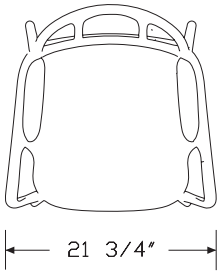


Product Information

Description

This stacking plastic chair is suitable for indoor or outdoor use. Stacks up to 6 high. Package contains 2 chairs.

Dimensions



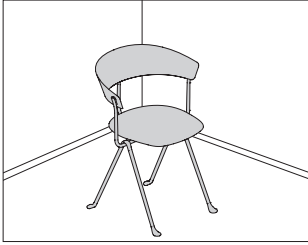
Specification Information

Step 1.

XXSD2100 A \$778

Step 2. Finish

- 1484C** red A +\$0
- 1556C** dark green A +\$0
- 1666C** yellow A +\$0
- 1733C** beige A +\$0
- 1738C** white A +\$0
- 1769C** black A +\$0

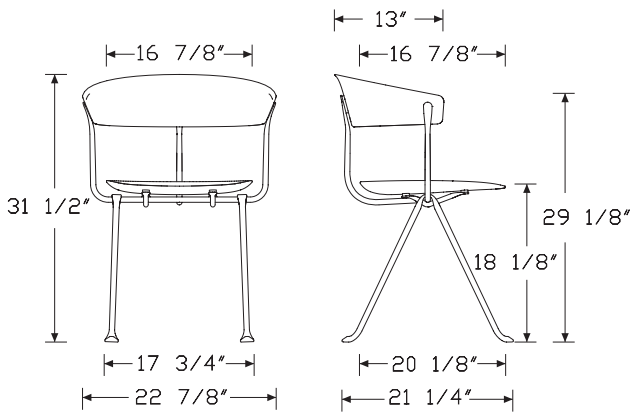


Product Information

Description

This chair has a wrought iron frame available in a galvanized or painted black finish. The seat and back are available in polypropylene, beech plywood, fabric or leather. Chair sold individually. Ships assembled.

Dimensions



Specification Information

Step 1.

SD205X A

Step 2. Seat and Back

- F** fabric upholstery A
- L** leather upholstery A
- P** polypropylene A
- W** plywood A

Prices for Steps 1-2.

SD205X F	\$1789
L	\$1849
P	\$749
W	\$1489

Step 3. Frame Finish

GLV galvanized <input type="checkbox"/> A	+ \$0
YCB black <input type="checkbox"/> A	+ \$0

Step 4. Seat and Back Finish

For polypropylene (P)

DKG dark green <input type="checkbox"/> A	+ \$0
MTG metallized grey <input type="checkbox"/> A	+ \$0
YCB black <input type="checkbox"/> A	+ \$0

For leather upholstery (L)

BLK black <input type="checkbox"/> A	+ \$0
YNL natural <input type="checkbox"/> A	+ \$0

For plywood (W)

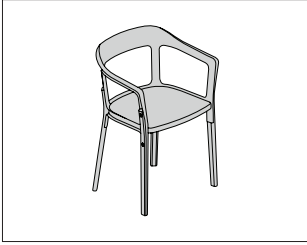
YNC natural beech <input type="checkbox"/> A	+ \$0
YNM black beech <input type="checkbox"/> A	+ \$0

For fabric upholstery (F)

Price Category G	+ \$0
Price Category H	+ \$0

Steelwood Chair

MGS00.

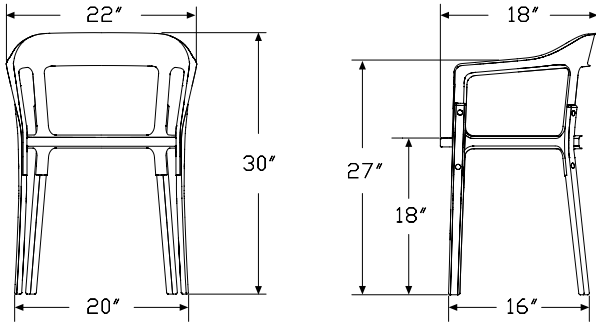


Product Information

Description

The frame of this chair with arms is a steel plate painted in epoxy resin. The legs and seat are solid beech or oak, available in natural and painted.

Dimensions



Specification Information

Step 1.

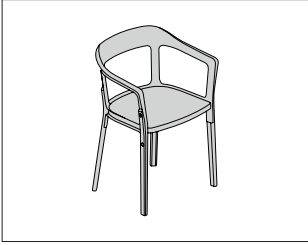
MGS00. A \$835

Step 2. Legs/Seat/Frame Finish

YHH	grey anthracite A	+\$0
YMB	black A	+\$0
YMF	white A	+\$0
YMK	natural beech and black A	+\$0
YMP	grey A	+\$0
YMM	natural beech and white	+\$0
YNN	walnut-stained beech and black	+\$0
YNP	dark beech and black A	+\$0
YNQ	natural oak and white A	+\$100
YNR	natural oak and black	+\$100
YNS	natural oak and grey A	+\$100
YNT	dark oak and grey anthracite A	+\$100

Steelwood Upholstered Chair

MGS00.



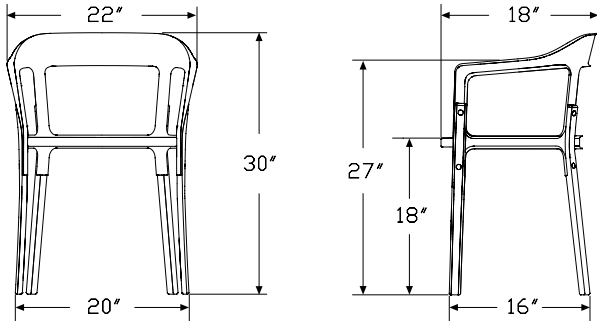
Herman Miller Collection—Side & Stacking Chairs

Product Information

Description
 The frame of this chair with arms is a steel plate painted in epoxy resin. The legs are solid beech, painted, and the seat is polypropylene upholstered in Kvadrat Divina MD.

Notes
 This chair meets CAL 133 requirements.

Dimensions

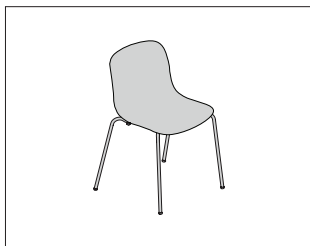


Specification Information

Step 1.	
MGS00.U <input type="checkbox"/> A	\$895
Step 2. Legs/Seat/Frame Finish	
YMB black <input type="checkbox"/> A	+\$0
Step 3. Fabric	
Price Category H	+\$0

Troy Plastic Chair

MGY08.

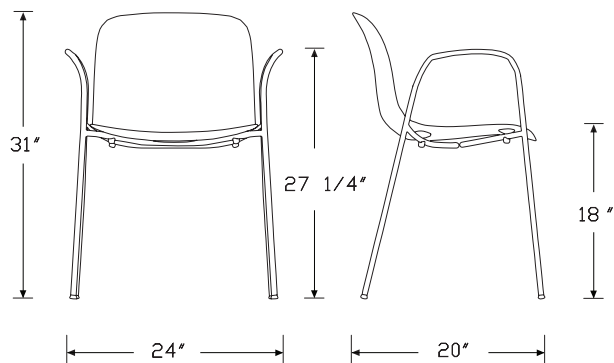


Product Information

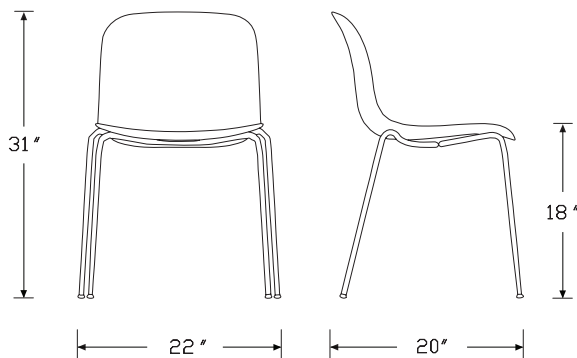
Description

The frame of this stacking chair is steel tube available in chrome or painted, or wood available in black or natural. The seat and back are plastic. Available with or without arms. Chairs with metal frame can stack up to 6 high. Wood frame chairs cannot stack. Package contains 2 chairs.

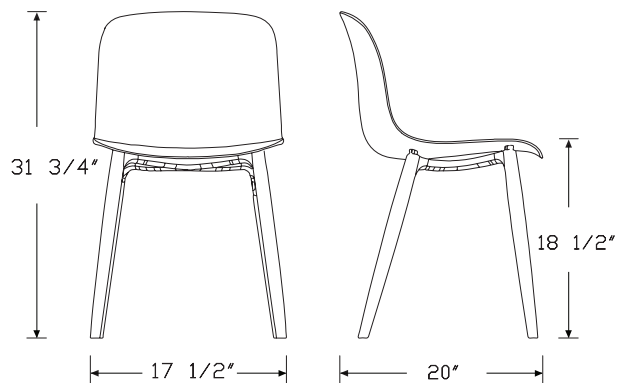
Dimensions



Steel frame with arms



Steel frame no arms



Wood frame

Troy Plastic Chair *continued*

Specification Information

Step 1.

MGY08. A

Step 2. Frame

- P** painted frame no arms A
- PA** painted frame with arms A
- C** chrome frame no arms A
- CA** chrome frame with arms A
- BW** black wood frame no arms A
- NW** natural wood frame no arms A

Prices for Steps 1-2.

MGY08.P	\$803
PA	\$1026
C	\$885
CA	\$1163
BW	\$985
NW	\$985

Step 3. Seat Finish

For painted frame no arms (P), painted frame with arms (PA), chrome frame no arms (C), chrome frame with arms (CA), or natural wood frame no arms (NW)

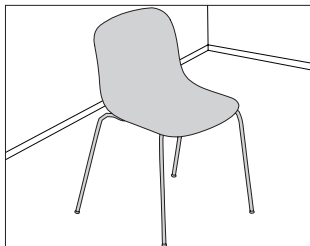
YNG black <input type="checkbox"/> A	+\$0
YNJ white <input type="checkbox"/> A	+\$0
YLW yellow <input type="checkbox"/> A	+\$0
YGJ purple <input type="checkbox"/> A	+\$0
YBH green <input type="checkbox"/> A	+\$0
YGK red <input type="checkbox"/> A	+\$0

For black wood frame no arms (BW)

YNG black <input type="checkbox"/> A	+\$0
---	------

Troy Upholstered Chair

MGY01.

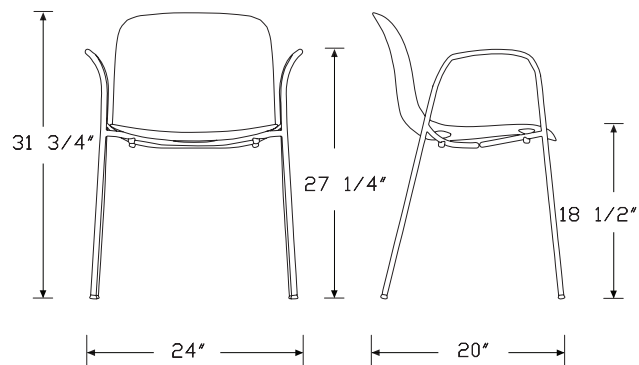


Product Information

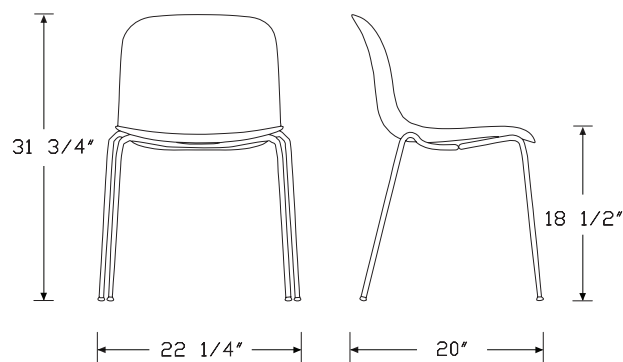
Description

This side chair has a steel tube frame available in chrome or painted in white or black, or a wood frame available in black or natural. The plastic seat and back are upholstered in fabric. Available with or without arms. Chairs with metal frame can stack up to 6 high. Wood frame chairs cannot stack. Package contains 2 chairs.

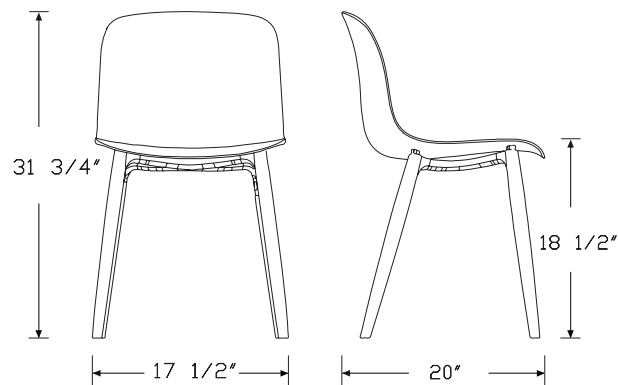
Dimensions



Steel frame with arms



Steel frame no arms



Wood frame

Troy Upholstered Chair *continued*

Specification Information

Step 1.

MGY01. A

Step 2. Frame Type

N metal frame no arms A

A metal frame with arms A

W wood frame no arms A

Prices for Steps 1-2.

MGY01.N	\$2109
A	\$2339
W	\$2209

Step 3. Frame Finish

For metal frame no arms (N) or metal frame with arms (A)

YNG black <input type="checkbox"/> A	+\$0
YNJ white <input type="checkbox"/> A	+\$0
YNK chrome <input type="checkbox"/> A	+\$0

For wood frame no arms (W)

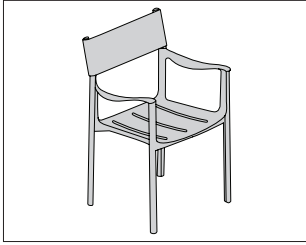
BW black wood <input type="checkbox"/> A	+\$0
NW natural wood <input type="checkbox"/> A	+\$0

Step 4. Fabric

Price Category G	+\$0
Price Category H	+\$0

Venice Chair

MGU00.



Product Information

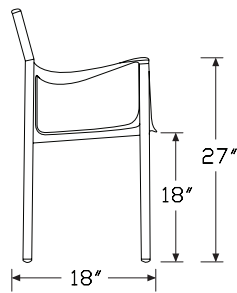
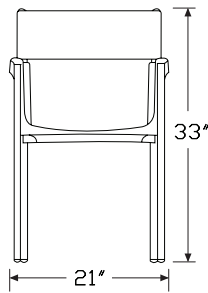
Description

This stacking chair with arms has a seat of die-cast aluminum, polished or painted in polyester powder. Legs are extruded aluminum, polished or painted in polyester powder. Back is thermoplastic rubber or leather. Chairs stack up to 6 high. Painted frame is suitable for outdoor use. Sold in sets of 2 only.

Notes

Polished (YCD) frame is NOT suitable for outdoor use.

Dimensions



Specification Information

Step 1.

MGU00. A \$1431

Step 2. Frame Finish

YNG black A +\$0

YCD polished A +\$1300

Step 3. Seat Finish

For black (YNG)

YBC black A +\$0

YMP grey A +\$0

YBH green A +\$0

YMN light blue A +\$0

YBG fuchsia A +\$0

YBM orange A +\$0

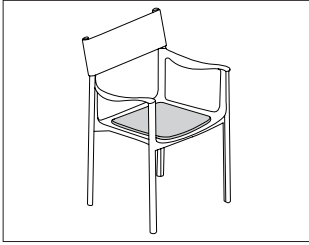
For polished (YCD)

YHC black leather A +\$0

YHK natural leather A +\$0

Venice Cushion

MGU90.



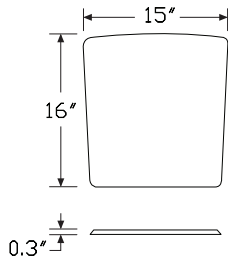
Herman Miller Collection—Side & Stacking Chairs

Product Information

Description

This seat cushion is expanded polyethylene covered in fabric.

Dimensions



Specification Information

Step 1.

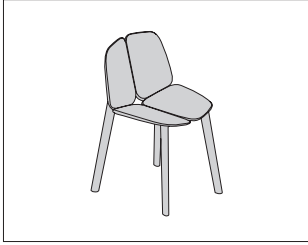
MGU90. \$401

Step 2. Seat Finish

YBC	black <input type="checkbox"/>	+\$0
YB7	dark grey <input type="checkbox"/>	+\$0
YBF	dark green <input type="checkbox"/>	+\$0
YGF	blue <input type="checkbox"/>	+\$0
YLB	dark purple <input type="checkbox"/>	+\$0
YB8	brick red <input type="checkbox"/>	+\$0
YHC	black leather <input type="checkbox"/>	+\$50
YHK	natural leather <input type="checkbox"/>	+\$50

Osso Chair

MGJ00.



Product Information

Description

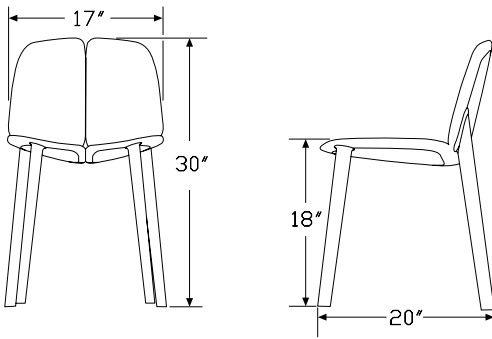
This solid wood side chair is available in an ash or oak frame.

Notes

Chairs are not stackable.

Upholstery not shown.

Dimensions



Specification Information

Step 1.

MGJ00. A

Step 2. Upholstery

N no upholstery A

U upholstered seat A

Prices for Steps 1-2.

MGJ00. N	\$1444
U	\$2200

Step 3. Frame Finish

YSB black wax ash <input type="checkbox"/> A	+\$0
YSC blue wax ash <input type="checkbox"/> A	+\$0
YSD green wax ash <input type="checkbox"/> A	+\$0
YSF dark grey wax ash <input type="checkbox"/> A	+\$0
YSG natural wax ash <input type="checkbox"/> A	+\$0
YSH pink wax ash <input type="checkbox"/> A	+\$0
YSJ white wax ash <input type="checkbox"/> A	+\$0
YSL natural wax oak <input type="checkbox"/> A	+\$187

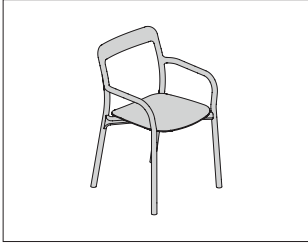
Step 4. Fabric

For upholstered seat (U)

YGR01 gravel 139 <input type="checkbox"/> A	+\$0
YGR02 gravel 149 <input type="checkbox"/> A	+\$0
YGR03 gravel 179 <input type="checkbox"/> A	+\$0

Branca Chair

MGR00.



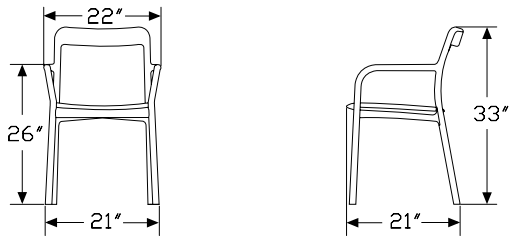
Herman Miller Collection—Side & Stacking Chairs

Product Information

Description

This solid wood chair with armrests is available with a solid ash frame. Chairs can stack up to 3 high.

Dimensions



Specification Information

Step 1.

MGR00. A

Step 2. Upholstery

N no upholstery A

U upholstered seat A

Prices for Steps 1-2.

MGR00.N	\$1595
U	\$2145

Step 3. Frame Finish

YRC	chocolate/natural seat ash <input type="checkbox"/> A	+\$0
YRD	green wax ash <input type="checkbox"/> A	+\$0
YRF	natural wax ash <input type="checkbox"/> A	+\$0
YRG	white anilin ash <input type="checkbox"/> A	+\$0
YRH	black mat anilin ash <input type="checkbox"/> A	+\$0

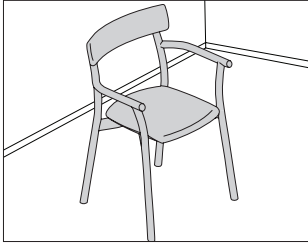
Step 4. Fabric

For upholstered seat (U)

YDF01	nord wool black/dark grey thread <input type="checkbox"/> A	+\$0
YDF02	nord wool grey/white thread <input type="checkbox"/> A	+\$0
YDF03	nord wool lime/dark grey thread <input type="checkbox"/> A	+\$0
YDF04	nord wool orange/white thread <input type="checkbox"/> A	+\$0
YNV01	novum cocos <input type="checkbox"/> A	+\$200
YNV02	novum rosewood <input type="checkbox"/> A	+\$200
YNV03	novum moss <input type="checkbox"/> A	+\$200
YNV04	novum lanoso <input type="checkbox"/> A	+\$200
YNV05	novum pepper <input type="checkbox"/> A	+\$200

Chiaro Chair

MGCH00

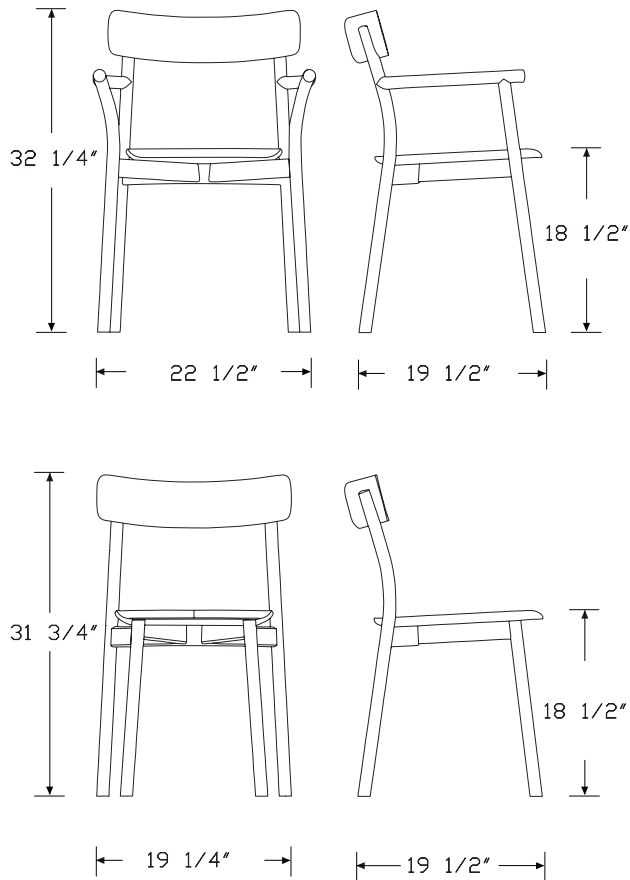


Product Information

Description

This chair has an ash or oak frame with or without arms. It comes in 7 finishes and stacks 3 high.

Dimensions



Specification Information

Step 1.

MGCH00. A

Step 2. Arms

N no arms A

A arms A

Prices for Steps 1-2.

MGCH00. N \$850
A \$1095

Step 3. Frame

YSA ash A +\$0

YFC oak A +\$150

Step 4. Finish

For ash (YSA)

YBC black A +\$0

YBP white A +\$0

YDC blue A +\$0

YLW yellow A +\$0

YMP grey A +\$0

YNL natural A +\$0

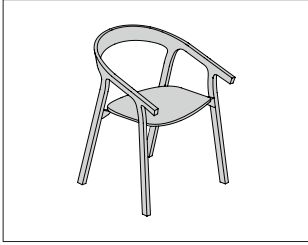
YRK dark red A +\$0

For oak (YFC)

YNL natural A +\$0

He Said Chair

MGH00.



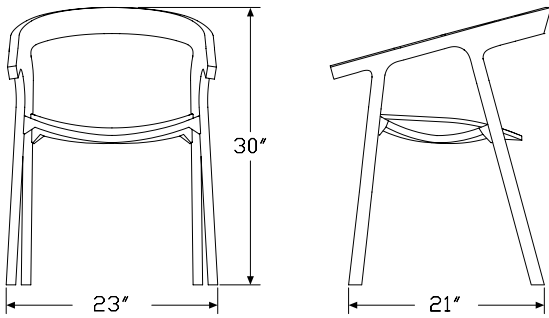
Herman Miller Collection—Side & Stacking Chairs

Product Information

Description

This solid wood chair with armrests is available in a solid ash frame. Chairs can stack up to 2 high.

Dimensions



Specification Information

Step 1.

MGH00.

Step 2. Upholstery

N no upholstery

U upholstered seat

Prices for Steps 1-2.

MGH00.N	\$1725
U	\$2474

Step 3. Frame Finish

YQB black anilin ash <input type="checkbox"/>	+\$0
YRG white anilin ash <input type="checkbox"/>	+\$0
ZQ5 anilin ash neon blue <input type="checkbox"/>	+\$0
YQC natural ash <input type="checkbox"/>	+\$53

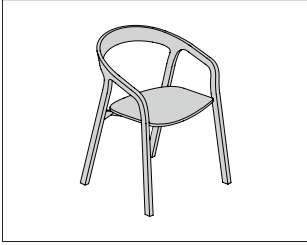
Step 4. Fabric

For upholstered seat (U)

YDG01 topia ebony <input type="checkbox"/>	+\$0
YDG02 topia anthrazit <input type="checkbox"/>	+\$0
YDG03 topia chrome <input type="checkbox"/>	+\$0
YDG04 topia moon <input type="checkbox"/>	+\$0
YDG05 topia snow <input type="checkbox"/>	+\$0
YDG06 topia orion <input type="checkbox"/>	+\$0
YDG07 topia azur <input type="checkbox"/>	+\$0
YDG08 topia seashell <input type="checkbox"/>	+\$0
YDG09 topia litchi <input type="checkbox"/>	+\$0
YDG10 topia heart <input type="checkbox"/>	+\$0

She Said Chair

MGH01.

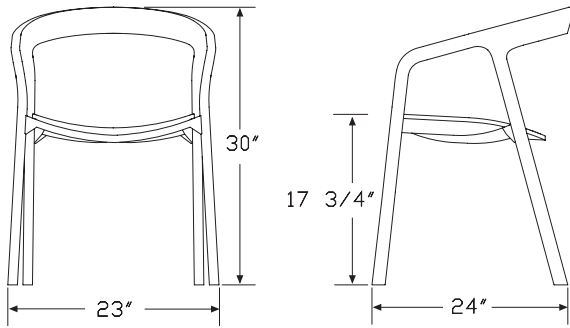


Product Information

Description

This solid wood chair with armrests is available in a solid ash frame. Chairs can stack up to 2 high.

Dimensions



Specification Information

Step 1.

MGH01.

Step 2. Upholstery

N no upholstery

U upholstered seat

Prices for Steps 1-2.

MGH01.N	\$1725
U	\$2474

Step 3. Frame Finish

YQB black anilin ash <input type="checkbox"/>	+\$0
YRG white anilin ash <input type="checkbox"/>	+\$0
ZQ5 anilin ash neon blue <input type="checkbox"/>	+\$0
YQC natural ash <input type="checkbox"/>	+\$53

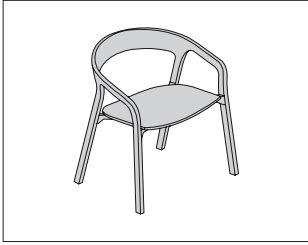
Step 4. Fabric

For upholstered seat (U)

YDG01 topia ebony <input type="checkbox"/>	+\$0
YDG02 topia anthrazit <input type="checkbox"/>	+\$0
YDG03 topia chrome <input type="checkbox"/>	+\$0
YDG04 topia moon <input type="checkbox"/>	+\$0
YDG05 topia snow <input type="checkbox"/>	+\$0
YDG06 topia orion <input type="checkbox"/>	+\$0
YDG07 topia azur <input type="checkbox"/>	+\$0
YDG08 topia seashell <input type="checkbox"/>	+\$0
YDG09 topia litchi <input type="checkbox"/>	+\$0
YDG10 topia heart <input type="checkbox"/>	+\$0

She Said Lowide Chair

MGH02.



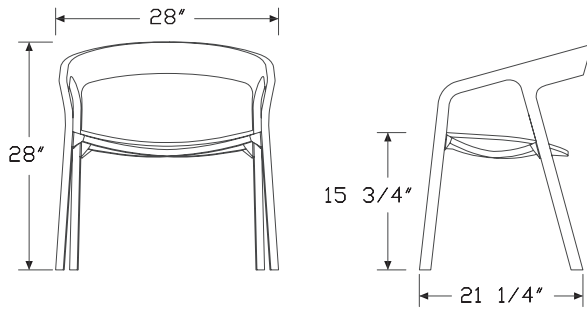
Herman Miller Collection—Side & Stacking Chairs

Product Information

Description

This solid wood chair with armrests is available in an ash frame. Chairs can stack up to 2 high.

Dimensions



Specification Information

Step 1.

MGH02.

Step 2. Upholstery

N no upholstery

U upholstered seat

Prices for Steps 1-2.

MGH02.N	\$2195
U	\$3049

Step 3. Frame Finish

YQB black anilin ash <input type="checkbox"/>	+\$0
YRG white anilin ash <input type="checkbox"/>	+\$0
ZQ5 anilin ash neon blue <input type="checkbox"/>	+\$0
YQC natural ash <input type="checkbox"/>	+\$60

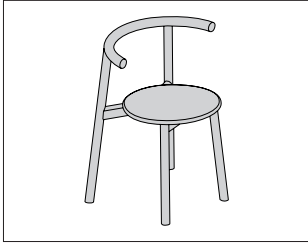
Step 4. Fabric

For upholstered seat (U)

YDG01 topia ebony <input type="checkbox"/>	+\$0
YDG02 topia anthrazit <input type="checkbox"/>	+\$0
YDG03 topia chrome <input type="checkbox"/>	+\$0
YDG04 topia moon <input type="checkbox"/>	+\$0
YDG05 topia snow <input type="checkbox"/>	+\$0
YDG06 topia orion <input type="checkbox"/>	+\$0
YDG07 topia azur <input type="checkbox"/>	+\$0
YDG08 topia seashell <input type="checkbox"/>	+\$0
YDG09 topia litchi <input type="checkbox"/>	+\$0
YDG10 topia heart <input type="checkbox"/>	+\$0

Solo Chair

MGZ00.

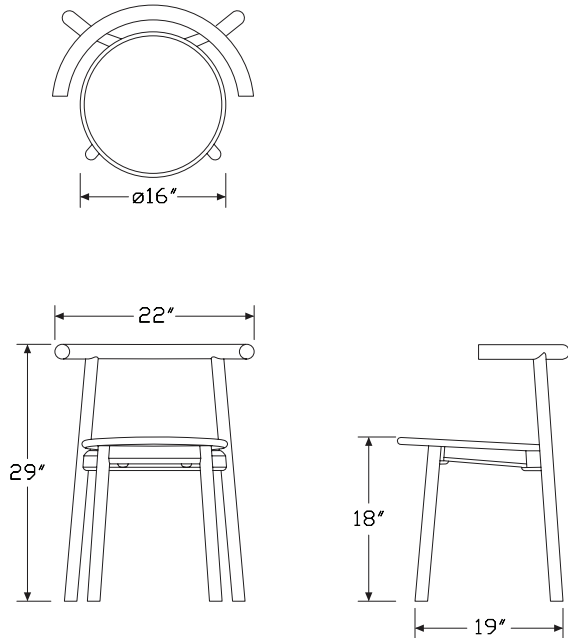


Product Information

Description

This solid wood chair is available in an ash or oak frame.

Dimensions



Specification Information

Step 1.

MGZ00. [A]

Step 2. Upholstery

N no upholstery [A]

S upholstered seat [A]

Prices for Steps 1-2.

MGZ00.N	\$783
S	\$995

Step 3. Frame Finish

ZQ1 dark red anilin ash [A]	+\$0
ZQ2 natural ash [A]	+\$0
ZQ3 anilin ash blue/black [A]	+\$0
ZQ4 anilin ash white [A]	+\$0
ZQ5 anilin ash neon blue [A]	+\$0
ZQ6 anilin ash turquoise [A]	+\$0
ZQ7 natural oak waxed [A]	+\$150

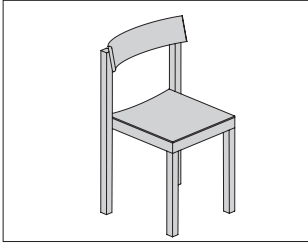
Step 4. Seat Fabric

For upholstered seat (S)

YDD13 white [A]	+\$0
YDD14 red [A]	+\$0
YDD16 dark grey [A]	+\$0
YDD17 black blue [A]	+\$0
YDD19 green [A]	+\$0

Primo Chair

MC14C.



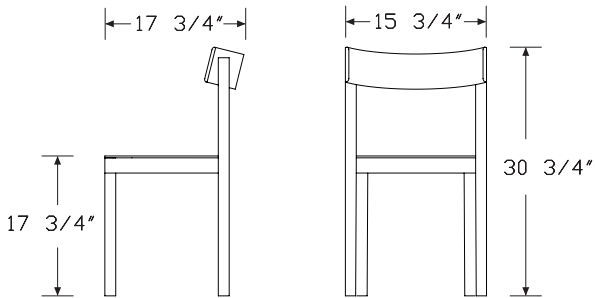
Herman Miller Collection—Side & Stacking Chairs

Product Information

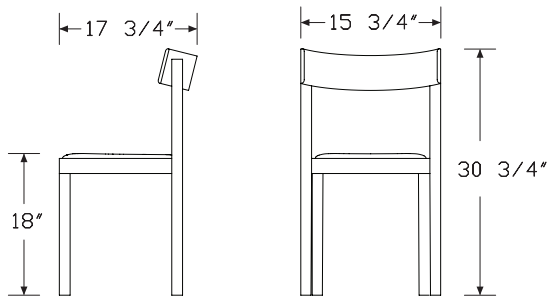
Description

This solid wood chair has a beech or oak frame. Oak has the option of an upholstered seat. Stacks up to 3 high.

Dimensions



Non-upholstered Seat



Upholstered Seat

Specification Information

Step 1.

MC14C.

Step 2. Upholstery

- N** no upholstery
- U** upholstered seat

Prices for Steps 1-2.

MC14C. N	\$630
U	\$1100

Step 3. Frame Finish

For no upholstery (N)

YNC natural beech	+\$0
YRB black beech	+\$0
YGP gold beech	+\$310

For upholstered seat (U)

YFC natural oak	+\$200
------------------------	--------

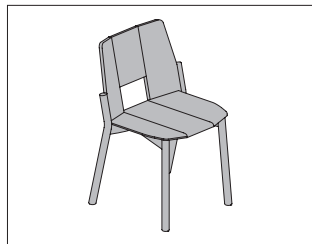
Step 4. Fabric

For upholstered seat (U)

SL508 sweet leather 508	+\$0
SL510 sweet leather 510	+\$0
SL512 sweet leather 512	+\$0
SLN41 sweet leather N41	+\$0
YLJ dani acquario cuoio leather	+\$180
YLK dani acquario marrone 6030 leather	+\$180
YLN dani acquario t. moro leather	+\$180
YLP dani acquario anthracite leather	+\$180

Tronco Stacking Chair

MGK01.



Product Information

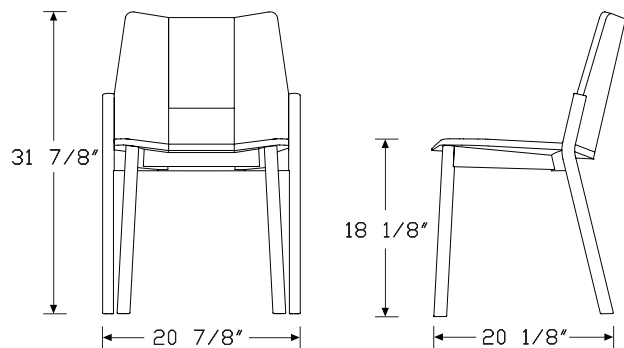
Description

This chair is available in Mattiazzi's standard ash as well as olive ash, in a variety of finishes. Chairs can stack up to 5 high or up to 10 high on the appropriate dolly.

Notes

Order Tronco dolly (MGK99.) separately.

Dimensions



Specification Information

Step 1.

MGK01. \$899

Step 2. Frame

OLA olive ash +\$0

YSA ash +\$0

Step 3. Finish

For olive ash (OLA)

YNL natural +\$0

For ash (YSA)

CNS chestnut stained +\$0

WNS walnut stained +\$0

YBC black +\$0

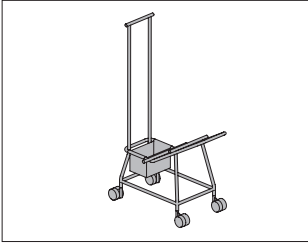
YBP white +\$0

YNL natural +\$0

YRL red +\$0

Tronco Dolly

MGK99.



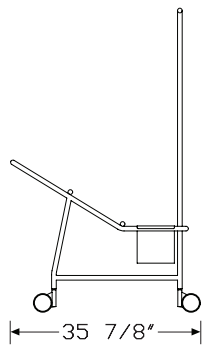
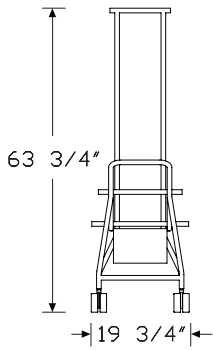
Herman Miller Collection—Side & Stacking Chairs

Product Information

Description

This dolly holds up to 10 Tronco chairs. Powder coated finish.

Dimensions



Specification Information

Step 1.

MGK99. A \$1850

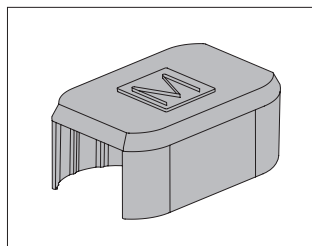
Step 2. Finish

YBC black A +\$0

YBP white A +\$0

Tronco Connector

MGK91.

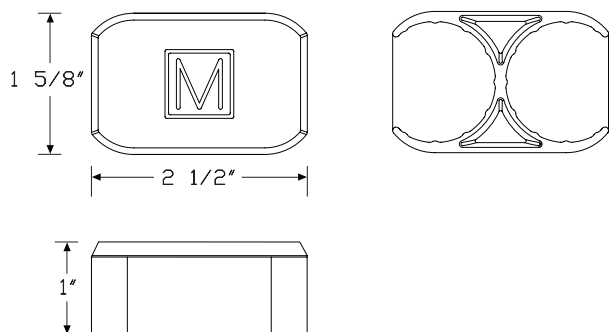


Product Information

Description

This plastic connector joins 2 Tronco chairs and comes in a matte finish.

Dimensions



Specification Information

Step 1.

MGK91. A \$49

Step 2. Finish

YBC black A +\$0

YRL red A +\$0

Uncino Chair, Version A

MC9A.



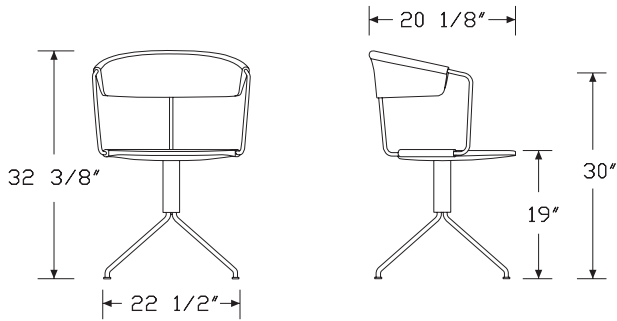
Herman Miller Collection—Side & Stacking Chairs

Product Information

Description

This wood chair is available with an ash back and seat.

Dimensions



Specification Information

Step 1.

MC9A. [A] \$2650

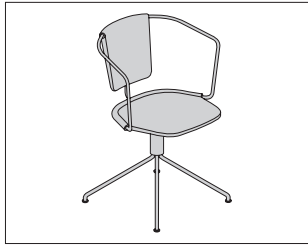
Step 2. Finish

YQB black anilin ash [A] +\$0

YQC natural ash [A] +\$0

Uncino Chair, Version B

MC9B.

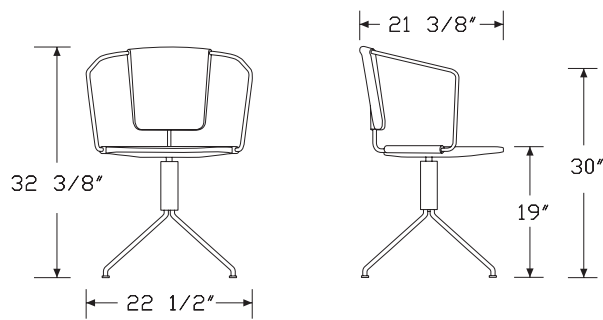


Product Information

Description

This wood chair is available with an ash or oak back and seat.

Dimensions



Specification Information

Step 1.

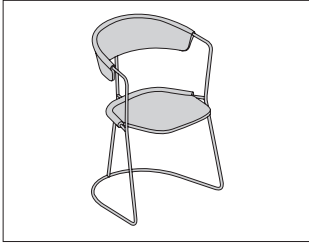
MC9B. A \$2340

Step 2. Finish

YQB black anilin ash A +\$0
YQC natural ash A +\$0
YFC natural oak A +\$200

Uncino Chair, Version C

MC9C.



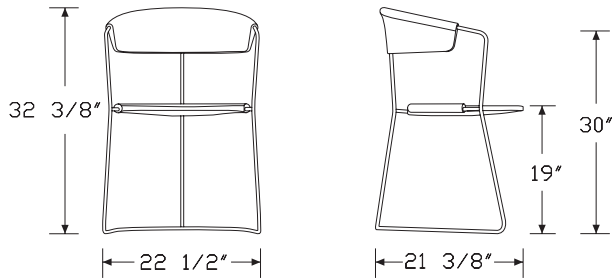
Herman Miller Collection—Side & Stacking Chairs

Product Information

Description

This wood chair is available with an ash back and seat.

Dimensions



Specification Information

Step 1.

MC9C. [A] \$2090

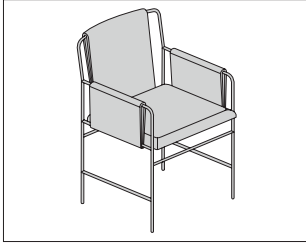
Step 2. Finish

YQB black anilin ash [A] +\$0

YQC natural ash [A] +\$0

Envelope® Chair

SBEV-



Product Information

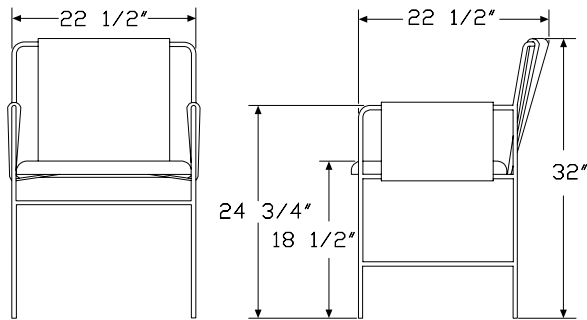
Description

This chair has a welded tubular steel frame. The seat is foam and Dacron® over plywood. The back consists of FR foam.

Notes

Customers Own Material (COM) requires 2½yards. Customers Own Leather (COL) requires 40 square feet. See Order Information in Appendices.

Dimensions



Specification Information

Step 1.

SBEV-1020 A \$1345

Step 2. Upholstery

Price Category (Geiger) 1	+\$98
Price Category 1	+\$0
Price Category (Geiger) 2	+\$0
Price Category 2	+\$118
Price Category (Geiger) 3	+\$148
Price Category 3	+\$148
Price Category (Geiger) 4	+\$180
Price Category (Geiger) 5	+\$263
Price Category 5	+\$263
Price Category (Geiger) 6	+\$345
Price Category (Geiger) 7	+\$428
Price Category (Geiger) 8	+\$655
Price Category (Geiger) 9	+\$813
Price Category 9	+\$813
Price Category (Geiger) 10	+\$935
Price Category (Geiger) 11	+\$1048
Price Category (Geiger) A	+\$124
Price Category (Geiger) B	+\$135
Price Category (Geiger) C	+\$146
Price Category (Geiger) D	+\$169
Price Category (Geiger) E	+\$191
Price Category (Geiger) F	+\$214
Price Category (Geiger) G	+\$236
Price Category (Geiger) H	+\$259
Price Category (Geiger) I	+\$523
Price Category (Geiger) J	+\$293
Price Category (Geiger) K	+\$326
Price Category (Geiger) L	+\$360
Price Category (Geiger) M	+\$405
Price Category (Geiger) N	+\$450
Price Category (Geiger) O	+\$1063
Price Category (Geiger) P	+\$495
Price Category (Geiger) Q	+\$1000
Price Category (Geiger) R	+\$1850
Price Category (Geiger) S	+\$1988
Price Category (Geiger) T	+\$2125
Price Category (Geiger) U	+\$2263
Price Category (Geiger) V	+\$2400
Price Category (Geiger) COM A	+\$0
Price Category (Geiger) COL A	+\$180

Envelope® Chair *continued*

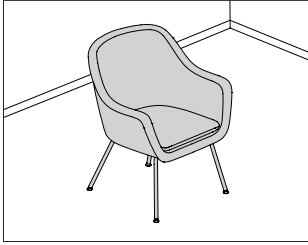
Herman Miller Collection—Side & Stacking Chairs

Step 3. Base Finish		
CHR	chrome <input type="checkbox"/> A	+\$0
SAC	satin chrome <input type="checkbox"/> A	+\$0

Step 4. Fire Retardancy		
NOCAL	not fire retardant <input type="checkbox"/> A	+\$0
133	fire retardant <input type="checkbox"/> A	+\$163

Bumper Side Chair

SBRLN



Product Information

Description

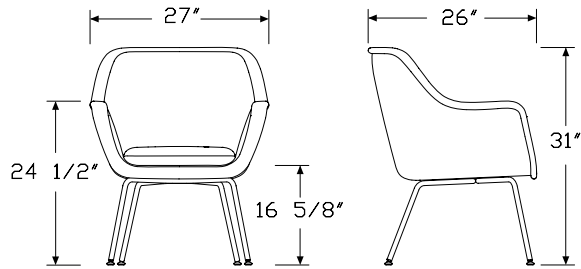
This side chair has upholstered inner and outer shells and arm cap, each made from one continuous piece of fabric or leather. It has an upholstered seat cushion. The frame is rigid molded urethane with foam inserts, and seat and back are FR foam over rigid inserts. The 4-leg base is plated steel, available in chrome.

Notes

Customers Own Material (COM) requires 2½ yards for the shell inside and outside, an additional 1¾ yards for the arm cap and cushion, or 4¼ yards when specify entire chair in the same fabric. See Order Information in Appendices.

Customers Own Leather (COL) requires 45 square feet for the shell inside and outside, an additional 31½ square feet for the arm cap and cushion, or 76½ yards when specify entire chair in the same leather. See Order Information in Appendices.

Dimensions



Specification Information

Step 1.

SBRLN A \$1795

Step 2. Shell Upholstery

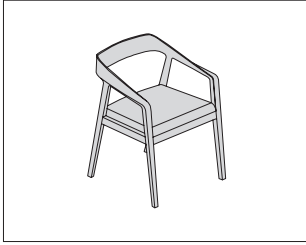
Price Category 1	+\$0
Price Category (Geiger) 2	+\$0
Price Category 2	+\$118
Price Category (Geiger) 3	+\$148
Price Category 3	+\$148
Price Category (Geiger) 4	+\$180
Price Category 4	+\$180
Price Category (Geiger) 5	+\$263
Price Category 5	+\$263
Price Category (Geiger) 6	+\$345
Price Category (Geiger) 7	+\$428
Price Category (Geiger) 8	+\$655
Price Category (Geiger) 9	+\$813
Price Category 9	+\$813
Price Category (Geiger) 10	+\$935
Price Category (Geiger) 11	+\$1048
Price Category 11	+\$1048
Price Category (Geiger) 14	+\$0
Price Category (Geiger) C	+\$133
Price Category (Geiger) D	+\$175
Price Category (Geiger) E	+\$213
Price Category (Geiger) F	+\$255
Price Category (Geiger) G	+\$348
Price Category (Geiger) H	+\$433
Price Category (Geiger) I	+\$523
Price Category (Geiger) J	+\$613
Price Category (Geiger) K	+\$703
Price Category (Geiger) L	+\$793
Price Category (Geiger) M	+\$883
Price Category (Geiger) O	+\$1063
Price Category (Geiger) P	+\$1150
Price Category (Geiger) Q	+\$1328
Price Category (Geiger) R	+\$1850
Price Category (Geiger) S	+\$1988
Price Category (Geiger) X	+\$2675
Price Category (Geiger) Y	+\$2813
Price Category (Geiger) COL A	+\$135
Price Category (Geiger) COM A	+\$0

Bumper Side Chair *continued*

Step 3. Arm Cap and Cushion Upholstery		
Price Category 1		+\$0
Price Category (Geiger) 2		+\$0
Price Category 2		+\$82
Price Category (Geiger) 3		+\$103
Price Category 3		+\$0
Price Category (Geiger) 4		+\$126
Price Category 4		+\$126
Price Category (Geiger) 5		+\$184
Price Category 5		+\$184
Price Category (Geiger) 6		+\$242
Price Category (Geiger) 7		+\$299
Price Category (Geiger) 8		+\$459
Price Category (Geiger) 9		+\$569
Price Category 9		+\$569
Price Category (Geiger) 10		+\$655
Price Category (Geiger) 11		+\$733
Price Category 11		+\$733
Price Category (Geiger) 14		+\$0
Price Category (Geiger) C		+\$93
Price Category (Geiger) D		+\$123
Price Category (Geiger) E		+\$149
Price Category (Geiger) F		+\$179
Price Category (Geiger) G		+\$243
Price Category (Geiger) H		+\$303
Price Category (Geiger) I		+\$366
Price Category (Geiger) J		+\$429
Price Category (Geiger) K		+\$492
Price Category (Geiger) L		+\$555
Price Category (Geiger) M		+\$618
Price Category (Geiger) O		+\$744
Price Category (Geiger) P		+\$805
Price Category (Geiger) Q		+\$929
Price Category (Geiger) R		+\$1295
Price Category (Geiger) S		+\$1391
Price Category (Geiger) X		+\$1873
Price Category (Geiger) Y		+\$1969
Price Category (Geiger) COM	<input type="checkbox"/> A	+\$0
Price Category (Geiger) COL	<input type="checkbox"/> A	+\$306
Step 4. Base Finish		
SAC	satin chrome <input type="checkbox"/> A	+\$0
Step 5. Fire Retardancy		
NOCAL	not fire retardant <input type="checkbox"/> A	+\$0
133	fire retardant <input type="checkbox"/> A	+\$276

Full Twist™ Guest Chair

SFT1A
SFT1M
SFT1N
SFT1W



Product Information

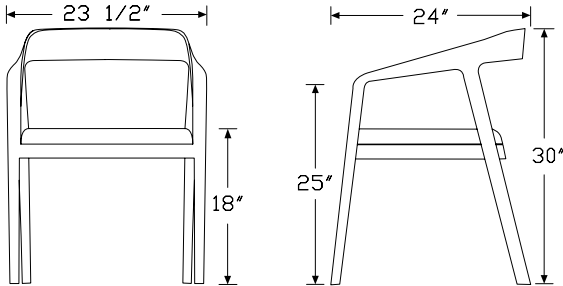
Description

This chair has an upholstered seat and a walnut or maple frame.

Notes

COM/COL requires 3/4 yard/13 1/2 square feet.

Dimensions



Specification Information

Step 1.

SFT1 A

Step 2. Frame Finish

M maple A

W walnut A

N sundance walnut with clear finish A

A ash A

Prices for Steps 1-2.

SFT1M	\$1585
SFT1W	\$2055
SFT1N	\$2240
SFT1A	\$1495

Step 3. Upholstery

Price Category (Geiger) 1	+\$29
Price Category 1	+\$0
Price Category (Geiger) 2	+\$0
Price Category 2	+\$35
Price Category (Geiger) 3	+\$44
Price Category 3	+\$44
Price Category (Geiger) 4	+\$54
Price Category 4	+\$54
Price Category (Geiger) 5	+\$79
Price Category 5	+\$79
Price Category (Geiger) 6	+\$104
Price Category (Geiger) 7	+\$128
Price Category (Geiger) 8	+\$197
Price Category (Geiger) 9	+\$244
Price Category 9	+\$244
Price Category (Geiger) 10	+\$281
Price Category (Geiger) 11	+\$314
Price Category (Geiger) 14	+\$412
Price Category (Geiger) A	+\$41
Price Category (Geiger) B	+\$45
Price Category (Geiger) C	+\$49
Price Category (Geiger) D	+\$56
Price Category (Geiger) E	+\$64
Price Category (Geiger) F	+\$71
Price Category (Geiger) G	+\$79
Price Category (Geiger) H	+\$86
Price Category (Geiger) I	+\$157
Price Category (Geiger) J	+\$98
Price Category (Geiger) K	+\$109
Price Category (Geiger) L	+\$120

Price Category (Geiger) M	+\$135
Price Category (Geiger) N	+\$150
Price Category (Geiger) O	+\$319
Price Category (Geiger) P	+\$165
Price Category (Geiger) Q	+\$450
Price Category (Geiger) R	+\$555
Price Category (Geiger) S	+\$596
Price Category (Geiger) T	+\$638
Price Category (Geiger) U	+\$679
Price Category (Geiger) V	+\$720
Price Category (Geiger) X	+\$803
Price Category (Geiger) Y	+\$844
Price Category COM (Geiger) A	+\$0
Price Category COL (Geiger) A	+\$54

Step 4. Wood Finish

For maple (M)

967 smoked paldao, low sheen A	+\$0
969 warm paldao, low sheen A	+\$0

For maple (M)

911 champagne maple (natural) A	+\$0
G2U light brown walnut, low sheen A	+\$0
G40 dark brown walnut, low sheen A	+\$0
940 sundance cherry on maple A	+\$0
943 caramel cherry A	+\$0
946 cocoa cherry A	+\$0
956 cocoa sapele A	+\$0
962 toasted walnut, low sheen A	+\$0
963 charred walnut, low sheen A	+\$0
964 bronzed walnut, low sheen A	+\$0
965 smoked walnut, low sheen A	+\$0
966 coffee walnut, low sheen A	+\$0
98R recograin rosewood A	+\$0
99R recograin rosewood A	+\$0
99T recograin teak A	+\$0
9A1 white ash, quarter cut, low sheen A	+\$0
9K1 rift oak, rift cut, low sheen A	+\$0
9K6 burnt oak, rift cut, low sheen A	+\$0
ED aged cherry A	+\$0

For maple (M)

662 toasted walnut, matte sheen A	+\$0
663 charred walnut, matte sheen A	+\$0
664 bronzed walnut, matte sheen A	+\$0
665 smoked walnut, matte sheen A	+\$0
666 coffee walnut, matte sheen A	+\$0
667 smoked paldao, quarter cut, matte sheen A	+\$0
669 warm paldao, quarter cut, matte sheen A	+\$0
68R recograin rosewood A	+\$0
69R recograin rosewood A	+\$0
69T recograin teak A	+\$0
6A1 white ash A	+\$0
6K1 rift oak A	+\$0
6K6 burnt oak A	+\$0
ET clear on ash A	+\$0
EU oak on ash A	+\$0
EV walnut on ash A	+\$0
GOU natural walnut, flat cut, matte sheen A	+\$0

For maple (M)

66G recograin wenge A	+\$0
69G recograin wenge A	+\$0

For maple (M)

96G wenge recograin, quarter cut, low sheen A	+\$0
99G recograin wenge, quarter cut, low sheen A	+\$0

For ash (A)

967 smoked paldao, low sheen A	+\$0
969 warm paldao, low sheen A	+\$0

<i>For ash (A)</i>		
940	sundance cherry on maple [A]	+\$0
943	caramel cherry [A]	+\$0
946	cocoa cherry [A]	+\$0
956	cocoa sapele [A]	+\$0
962	toasted walnut, low sheen [A]	+\$0
963	charred walnut, low sheen [A]	+\$0
964	bronzed walnut, low sheen [A]	+\$0
965	smoked walnut, low sheen [A]	+\$0
966	coffee walnut, low sheen [A]	+\$0
977	chocolate ash, low sheen [A]	+\$0
98R	recograin rosewood [A]	+\$0
991	champagne ash [A]	+\$0
998	ebony ash [A]	+\$0
99A	recograin frosty ash [A]	+\$0
99R	recograin rosewood [A]	+\$0
99T	recograin teak [A]	+\$0
9A1	white ash, quarter cut, low sheen [A]	+\$0
9K1	rift oak, rift cut, low sheen [A]	+\$0
9K6	burnt oak, rift cut, low sheen [A]	+\$0
ED	aged cherry [A]	+\$0
EK	medium red walnut [A]	+\$0
G2U	light brown walnut, low sheen [A]	+\$0
G40	dark brown walnut, low sheen [A]	+\$0
UX	walnut on cherry [A]	+\$0

<i>For ash (A)</i>		
662	toasted walnut, matte sheen [A]	+\$0
663	charred walnut, matte sheen [A]	+\$0
664	bronzed walnut, matte sheen [A]	+\$0
665	smoked walnut, matte sheen [A]	+\$0
666	coffee walnut, matte sheen [A]	+\$0
667	smoked paldao, quarter cut, matte sheen [A]	+\$0
669	warm paldao, quarter cut, matte sheen [A]	+\$0
66A	recograin frosty ash [A]	+\$0
677	chocolate ash, matte sheen [A]	+\$0
68R	recograin rosewood [A]	+\$0
69A	recograin frosty ash [A]	+\$0
69R	recograin rosewood [A]	+\$0
69T	recograin teak [A]	+\$0
6A1	white ash [A]	+\$0
6K1	rift oak [A]	+\$0
6K6	burnt oak [A]	+\$0
ET	clear on ash [A]	+\$0
EU	oak on ash [A]	+\$0
EV	walnut on ash [A]	+\$0
GOU	natural walnut, flat cut, matte sheen [A]	+\$0

<i>For ash (A)</i>		
66G	wenge recograin, quarter cut, matte sheen [A]	+\$0
68W	recograin walnut, flat cut, matte sheen [A]	+\$0
69G	recograin wenge [A]	+\$0
69W	recograin walnut, quarter cut, matte sheen [A]	+\$0

<i>For ash (A)</i>		
96G	wenge recograin, quarter cut, low sheen [A]	+\$0
98W	recograin walnut, flat cut, low sheen [A]	+\$0
99G	recograin wenge, quarter cut, low sheen [A]	+\$0
99W	recograin walnut, quarter cut, low sheen [A]	+\$0

<i>For walnut (W)</i>		
967	smoked paldao, low sheen [A]	+\$0
969	warm paldao, low sheen [A]	+\$0

<i>For walnut (W)</i>		
962	toasted walnut, low sheen [A]	+\$0
963	charred walnut, low sheen [A]	+\$0
964	bronzed walnut, low sheen [A]	+\$0
965	smoked walnut, low sheen [A]	+\$0
966	coffee walnut, low sheen [A]	+\$0
98R	recograin rosewood [A]	+\$0
99R	recograin rosewood [A]	+\$0
EK	medium red walnut [A]	+\$0
G2U	light brown walnut, low sheen [A]	+\$0
G40	dark brown walnut, low sheen [A]	+\$0

<i>For walnut (W)</i>		
662	toasted walnut, matte sheen [A]	+\$0
663	charred walnut, matte sheen [A]	+\$0
664	bronzed walnut, matte sheen [A]	+\$0
665	smoked walnut, matte sheen [A]	+\$0
666	coffee walnut, matte sheen [A]	+\$0
667	smoked paldao, quarter cut, matte sheen [A]	+\$0
669	warm paldao, quarter cut, matte sheen [A]	+\$0
68R	recograin rosewood [A]	+\$0
69R	recograin rosewood [A]	+\$0
GOU	natural walnut, flat cut, matte sheen [A]	+\$0

<i>For walnut (W)</i>		
66G	recograin wenge [A]	+\$0
69G	recograin wenge [A]	+\$0

<i>For walnut (W)</i>		
96G	wenge recograin, quarter cut, low sheen [A]	+\$0
99G	recograin wenge, quarter cut, low sheen [A]	+\$0

Full Twist™ Guest Chair *continued*

Herman Miller Collection—Side & Stacking Chairs

For sundance walnut with clear finish (N)

972 sundance walnut A +\$0

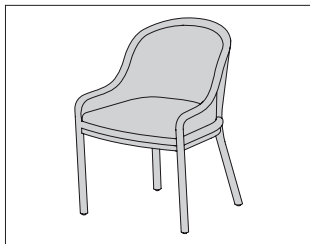
Step 5. Fire Retardancy

NOCAL not fire retardant A +\$0

133 fire retardant A +\$49

Landmark Low Arm Chair

SBLAC
SBLAF



Product Information

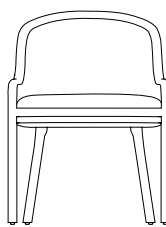
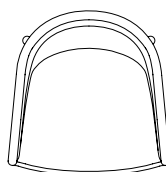
Description

This low arm chair has a wood frame carved from solid hardwood. It has a French upholstered seat and back, or a cane seat and back with cushion.

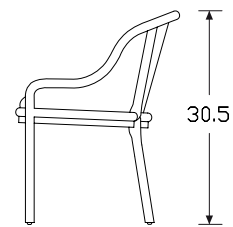
Notes

Customers Own Material (COM) requires 2½ yards for the French upholstered seat and back, closed arm (F) and 1 yard for the cane seat and back with cushion (C). Customers Own Leather (COL) requires 45 square feet for the French upholstered seat and back (F) and 20 square feet for the cane seat and back with cushion (C). See Order Information in Appendices.

Dimensions



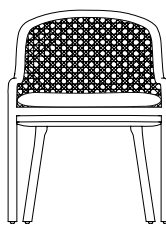
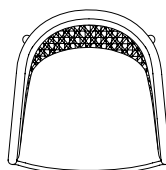
23.13"



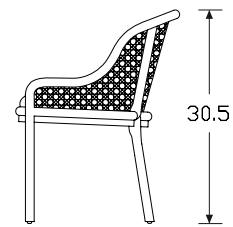
23.46"

30.5"

French upholstered



23.13"



23.46"

30.5"

Cane seat and back

Specification Information	
Step 1.	
SBLA	A
Step 2. Seat, Back and Arms	
C	cane seat and back with cushion A
F	french upholstered seat and back, closed arm A
Prices for Steps 1-2.	
SBLAC	\$2620
SBLAF	\$2620
Step 3. Wood Finish	
Premium Veneer - Low Sheen	
932	sundance anigre A +\$0
933	caramel anigre A +\$0
934	henna anigre A +\$0
940	sundance cherry on maple A +\$0
943	caramel cherry A +\$0
946	cocoa cherry A +\$0
956	cocoa sapele A +\$0
962	toasted walnut, low sheen A +\$0
963	charred walnut, low sheen A +\$0
964	bronzed walnut, low sheen A +\$0
965	smoked walnut, low sheen A +\$0
966	coffee walnut, low sheen A +\$0
967	smoked paldao, low sheen A +\$0
969	warm paldao, low sheen A +\$0
977	chocolate ash, low sheen A +\$0
98R	recograin rosewood A +\$0
991	champagne ash A +\$0
998	ebony ash A +\$0
99A	recograin frosty ash A +\$0
99R	recograin rosewood A +\$0
99T	recograin teak A +\$0
9A1	white ash, quarter cut, low sheen A +\$0
9K1	rift oak, rift cut, low sheen A +\$0
9K6	burnt oak, rift cut, low sheen A +\$0
ED	aged cherry A +\$0
EK	medium red walnut A +\$0
G2U	light brown walnut, low sheen A +\$0
G40	dark brown walnut, low sheen A +\$0
UX	walnut on cherry A +\$0

Premium Veneer - Matte	
662	toasted walnut, matte sheen A +\$0
663	charred walnut, matte sheen A +\$0
664	bronzed walnut, matte sheen A +\$0
665	smoked walnut, matte sheen A +\$0
666	coffee walnut, matte sheen A +\$0
667	smoked paldao, quarter cut, matte sheen A +\$0
669	warm paldao, quarter cut, matte sheen A +\$0
66A	recograin frosty ash A +\$0
677	chocolate ash, matte sheen A +\$0
68R	recograin rosewood A +\$0
69A	recograin frosty ash A +\$0
69R	recograin rosewood A +\$0
69T	recograin teak A +\$0
6A1	white ash A +\$0
6K1	rift oak A +\$0
6K6	burnt oak A +\$0
ET	clear on ash A +\$0
EU	oak on ash A +\$0
EV	walnut on ash A +\$0
GOU	natural walnut, flat cut, matte sheen A +\$0
RecoGrain Veneer	
66G	recograin wenge A +\$0
68W	recograin walnut, flat cut, matte sheen A +\$0
69G	recograin wenge A +\$0
69W	recograin walnut, quarter cut, matte sheen A +\$0
Recon Veneer -	
96G	wenge recograin, quarter cut, low sheen A +\$0
98W	recograin walnut, flat cut, low sheen A +\$0
99G	recograin wenge, quarter cut, low sheen A +\$0
99W	recograin walnut, quarter cut, low sheen A +\$0
Step 4. Upholstery	
<i>For cane seat and back with cushion (C)</i>	
Price Category 1	+\$0
Price Category (Geiger) 2	+\$47
Price Category 2	+\$47
Price Category (Geiger) 3	+\$59
Price Category 3	+\$59
Price Category (Geiger) 4	+\$72
Price Category 4	+\$72
Price Category (Geiger) 5	+\$105
Price Category 5	+\$105
Price Category (Geiger) 6	+\$138

Landmark Low Arm Chair *continued*

Price Category (Geiger) 7	+\$171
Price Category (Geiger) 8	+\$262
Price Category (Geiger) 9	+\$325
Price Category 9	+\$325
Price Category (Geiger) 10	+\$374
Price Category (Geiger) 11	+\$419
Price Category (Geiger) 14	+\$549
Price Category (Geiger) C	+\$53
Price Category (Geiger) D	+\$70
Price Category (Geiger) E	+\$85
Price Category (Geiger) F	+\$102
Price Category (Geiger) G	+\$139
Price Category (Geiger) H	+\$173
Price Category (Geiger) I	+\$209
Price Category (Geiger) J	+\$245
Price Category (Geiger) K	+\$281
Price Category (Geiger) L	+\$317
Price Category (Geiger) M	+\$353
Price Category (Geiger) N	+\$389
Price Category (Geiger) O	+\$425
Price Category (Geiger) P	+\$460
Price Category (Geiger) Q	+\$531
Price Category (Geiger) R	+\$740
Price Category (Geiger) S	+\$795
Price Category (Geiger) T	+\$850
Price Category (Geiger) U	+\$905
Price Category (Geiger) V	+\$960
Price Category (Geiger) X	+\$1070
Price Category (Geiger) Y	+\$1125
Price Category (Geiger) COM <input type="checkbox"/> A	+\$0
Price Category (Geiger) COL <input type="checkbox"/> A	+\$72

For french upholstered seat and back, closed arm (F)

Price Category C	+\$0
Price Category 1	+\$0
Price Category (Geiger) 2	+\$0
Price Category 2	+\$118
Price Category (Geiger) 3	+\$148
Price Category 3	+\$148
Price Category (Geiger) 4	+\$180
Price Category 4	+\$180
Price Category (Geiger) 5	+\$263
Price Category 5	+\$263
Price Category (Geiger) 6	+\$345
Price Category (Geiger) 7	+\$428
Price Category (Geiger) 8	+\$655
Price Category (Geiger) 9	+\$813

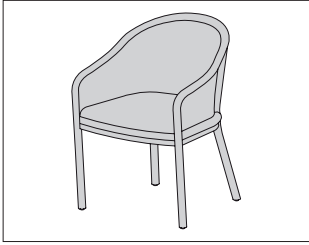
Price Category 9	+\$813
Price Category (Geiger) 10	+\$935
Price Category (Geiger) 11	+\$1048
Price Category (Geiger) 14	+\$1373
Price Category (Geiger) C	+\$133
Price Category (Geiger) D	+\$175
Price Category (Geiger) E	+\$213
Price Category (Geiger) F	+\$255
Price Category (Geiger) G	+\$348
Price Category (Geiger) H	+\$433
Price Category (Geiger) I	+\$523
Price Category (Geiger) J	+\$613
Price Category (Geiger) K	+\$703
Price Category (Geiger) L	+\$793
Price Category (Geiger) M	+\$883
Price Category (Geiger) N	+\$973
Price Category (Geiger) O	+\$1063
Price Category (Geiger) P	+\$1150
Price Category (Geiger) Q	+\$1328
Price Category (Geiger) R	+\$1850
Price Category (Geiger) S	+\$1988
Price Category (Geiger) T	+\$2125
Price Category (Geiger) U	+\$2263
Price Category (Geiger) V	+\$2400
Price Category (Geiger) X	+\$2675
Price Category (Geiger) Y	+\$2813
Price Category (Geiger) COM <input type="checkbox"/> A	+\$0
Price Category (Geiger) COL <input type="checkbox"/> A	+\$180

Step 5. Fire Retardancy			
		C	F
NOCAL	no cal-133 required <input type="checkbox"/> A	+\$0	0
133	cal-133 required <input type="checkbox"/> A	+\$65	163

HermanMiller Collection—Side & Stacking Chairs

Landmark Chair

SBLLC
SBLLF



Herman Miller Collection—Side & Stacking Chairs

Product Information

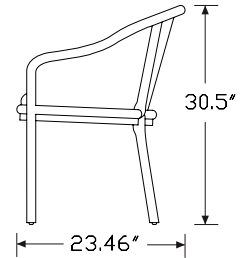
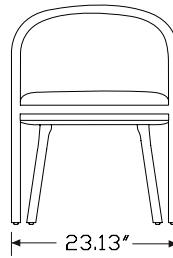
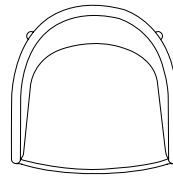
Description

This chair has a wood frame carved from solid hardwood. It has a French upholstered seat and back, or a cane seat and back with cushion.

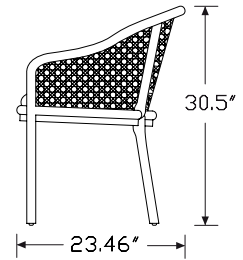
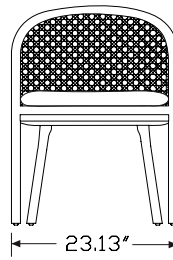
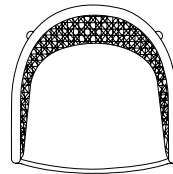
Notes

Customers Own Material (COM) requires 2½ yards for the French upholstered seat and back, closed arm (F) and 1 yard for the cane seat and back with cushion (C). Customers Own Leather (COL) requires 45 square feet for the French upholstered seat and back (F) and 20 square feet for the cane seat and back with cushion (C). See Order Information in Appendices.

Dimensions



French upholstered



Cane seat and back

Specification Information

Step 1.

SBL

Step 2. Seat, Back and Arms

C cane seat and back with cushion

F french upholstered seat and back, closed arm

Prices for Steps 1-2.

SBL \$2545

SBL \$2545

Step 3. Wood Finish

Premium Veneer - Low Sheen

932	sundance anigre <input type="checkbox"/>	+\$0
933	caramel anigre <input type="checkbox"/>	+\$0
934	henna anigre <input type="checkbox"/>	+\$0
940	sundance cherry on maple <input type="checkbox"/>	+\$0
943	caramel cherry <input type="checkbox"/>	+\$0
946	cocoa cherry <input type="checkbox"/>	+\$0
956	cocoa sapele <input type="checkbox"/>	+\$0
962	toasted walnut, low sheen <input type="checkbox"/>	+\$0
963	charred walnut, low sheen <input type="checkbox"/>	+\$0
964	bronzed walnut, low sheen <input type="checkbox"/>	+\$0
965	smoked walnut, low sheen <input type="checkbox"/>	+\$0
966	coffee walnut, low sheen <input type="checkbox"/>	+\$0
967	smoked paldao, low sheen <input type="checkbox"/>	+\$0
969	warm paldao, low sheen <input type="checkbox"/>	+\$0
977	chocolate ash, low sheen <input type="checkbox"/>	+\$0
98R	recograin rosewood <input type="checkbox"/>	+\$0
991	champagne ash <input type="checkbox"/>	+\$0
998	ebony ash <input type="checkbox"/>	+\$0
99A	recograin frosty ash <input type="checkbox"/>	+\$0
99R	recograin rosewood <input type="checkbox"/>	+\$0
99T	recograin teak <input type="checkbox"/>	+\$0
9A1	white ash, quarter cut, low sheen <input type="checkbox"/>	+\$0
9K1	rift oak, rift cut, low sheen <input type="checkbox"/>	+\$0
9K6	burnt oak, rift cut, low sheen <input type="checkbox"/>	+\$0
ED	aged cherry <input type="checkbox"/>	+\$0
EK	medium red walnut <input type="checkbox"/>	+\$0
G2U	light brown walnut, low sheen <input type="checkbox"/>	+\$0
G40	dark brown walnut, low sheen <input type="checkbox"/>	+\$0
UX	walnut on cherry <input type="checkbox"/>	+\$0

Premium Veneer - Matte

662	toasted walnut, matte sheen <input type="checkbox"/>	+\$0
663	charred walnut, matte sheen <input type="checkbox"/>	+\$0
664	bronzed walnut, matte sheen <input type="checkbox"/>	+\$0
665	smoked walnut, matte sheen <input type="checkbox"/>	+\$0
666	coffee walnut, matte sheen <input type="checkbox"/>	+\$0
667	smoked paldao, quarter cut, matte sheen <input type="checkbox"/>	+\$0
669	warm paldao, quarter cut, matte sheen <input type="checkbox"/>	+\$0
66A	recograin frosty ash <input type="checkbox"/>	+\$0
677	chocolate ash, flat cut, matte sheen <input type="checkbox"/>	+\$0
68R	recograin rosewood <input type="checkbox"/>	+\$0
69A	recograin frosty ash <input type="checkbox"/>	+\$0
69R	recograin rosewood <input type="checkbox"/>	+\$0
69T	recograin teak <input type="checkbox"/>	+\$0
6A1	white ash <input type="checkbox"/>	+\$0
6K1	rift oak <input type="checkbox"/>	+\$0
6K6	burnt oak <input type="checkbox"/>	+\$0
ET	clear on ash <input type="checkbox"/>	+\$0
EU	oak on ash <input type="checkbox"/>	+\$0
EV	walnut on ash <input type="checkbox"/>	+\$0
GOU	natural walnut, flat cut, matte sheen <input type="checkbox"/>	+\$0

RecoGrain Veneer

66G	recograin wenge <input type="checkbox"/>	+\$0
68W	recograin walnut, flat cut, matte sheen <input type="checkbox"/>	+\$0
69G	recograin wenge <input type="checkbox"/>	+\$0
69W	recograin walnut, quarter cut, matte sheen <input type="checkbox"/>	+\$0

Recon Veneer -

96G	wenge recograin, quarter cut, low sheen <input type="checkbox"/>	+\$0
98W	recograin walnut, flat cut, low sheen <input type="checkbox"/>	+\$0
99G	recograin wenge, quarter cut, low sheen <input type="checkbox"/>	+\$0
99W	recograin walnut, quarter cut, low sheen <input type="checkbox"/>	+\$0

Step 4. Upholstery

For cane seat and back with cushion (C)

Price Category 1	+\$0
Price Category (Geiger) 2	+\$47
Price Category 2	+\$47
Price Category (Geiger) 3	+\$59
Price Category 3	+\$59
Price Category (Geiger) 4	+\$72
Price Category 4	+\$72
Price Category (Geiger) 5	+\$105
Price Category 5	+\$105
Price Category (Geiger) 6	+\$138

Price Category (Geiger) 7	+\$171
Price Category (Geiger) 8	+\$262
Price Category (Geiger) 9	+\$325
Price Category 9	+\$325
Price Category (Geiger) 10	+\$374
Price Category (Geiger) 11	+\$419
Price Category (Geiger) 14	+\$549
Price Category (Geiger) C	+\$43
Price Category (Geiger) D	+\$70
Price Category (Geiger) E	+\$85
Price Category (Geiger) F	+\$102
Price Category (Geiger) G	+\$139
Price Category (Geiger) H	+\$173
Price Category (Geiger) I	+\$209
Price Category (Geiger) J	+\$245
Price Category (Geiger) K	+\$281
Price Category (Geiger) L	+\$317
Price Category (Geiger) M	+\$353
Price Category (Geiger) N	+\$389
Price Category (Geiger) O	+\$425
Price Category (Geiger) P	+\$460
Price Category (Geiger) Q	+\$531
Price Category (Geiger) R	+\$740
Price Category (Geiger) S	+\$795
Price Category (Geiger) T	+\$850
Price Category (Geiger) U	+\$905
Price Category (Geiger) V	+\$960
Price Category (Geiger) X	+\$1070
Price Category (Geiger) Y	+\$1125
Price Category (Geiger) COM A	+\$0
Price Category (Geiger) COL A	+\$72

For french upholstered seat and back, closed arm (F)

Price Category C	+\$0
Price Category 1	+\$0
Price Category (Geiger) 2	+\$0
Price Category 2	+\$118
Price Category (Geiger) 3	+\$148
Price Category 3	+\$148
Price Category (Geiger) 4	+\$180
Price Category 4	+\$180
Price Category (Geiger) 5	+\$263
Price Category 5	+\$263
Price Category (Geiger) 6	+\$345
Price Category (Geiger) 7	+\$428
Price Category (Geiger) 8	+\$655
Price Category (Geiger) 9	+\$813

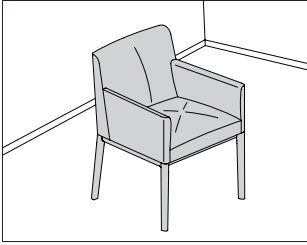
Price Category 9	+\$813
Price Category (Geiger) 10	+\$935
Price Category (Geiger) 11	+\$1048
Price Category (Geiger) 14	+\$1373
Price Category (Geiger) C	+\$107
Price Category (Geiger) D	+\$175
Price Category (Geiger) E	+\$213
Price Category (Geiger) F	+\$255
Price Category (Geiger) G	+\$348
Price Category (Geiger) H	+\$433
Price Category (Geiger) I	+\$523
Price Category (Geiger) J	+\$613
Price Category (Geiger) K	+\$703
Price Category (Geiger) L	+\$793
Price Category (Geiger) M	+\$883
Price Category (Geiger) N	+\$973
Price Category (Geiger) O	+\$1063
Price Category (Geiger) P	+\$1150
Price Category (Geiger) Q	+\$1328
Price Category (Geiger) R	+\$1850
Price Category (Geiger) S	+\$1988
Price Category (Geiger) T	+\$2125
Price Category (Geiger) U	+\$2263
Price Category (Geiger) V	+\$2400
Price Category (Geiger) X	+\$2675
Price Category (Geiger) Y	+\$2813
Price Category (Geiger) COM A	+\$0
Price Category (Geiger) COL A	+\$180

Step 5. Fire Retardancy

	C	F
NOCAL no cal-133 required A	+\$0	0
133 cal-133 required A	+\$65	163

Nessel Chair

SNS1A
 SNS1W
 SNS2A
 SNS2W



Product Information

Description

This side chair has a solid wood frame with cushions made of polyfoam and DACRON®. It is available with or without arms. Fire retardant chair meets CAL 133 requirements.

Notes

Customer's Own Material (COM)/Customer's Own Leather (COL) requires the following:

Type—COM—COL

SNS2W (seat border and outside back)—1 yard—18 square feet

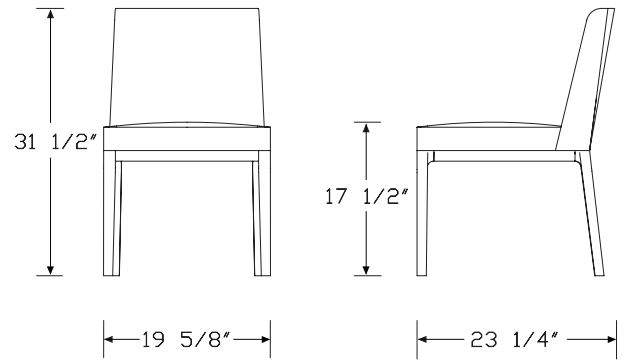
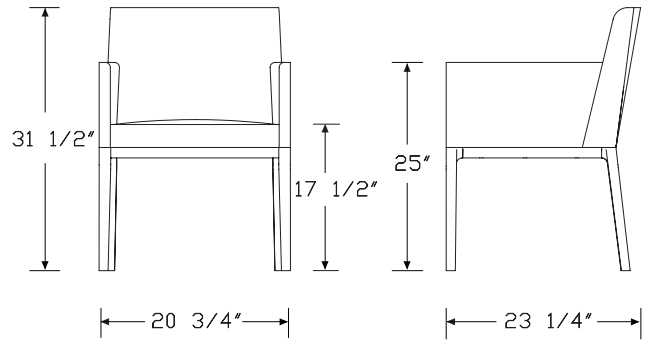
SNS2W (seat cushion top and inside chair back)—1 yard—18 square feet

SNS1W (seat border and outside back)— $\frac{3}{4}$ yard—13 $\frac{1}{2}$ square feet

SNS1W (seat cushion top and inside chair back)— $\frac{3}{4}$ yard—13 $\frac{1}{2}$ square feet

See Order Information in Appendices for more information.

Dimensions



Specification Information

Step 1.

SNS A

Step 2. Frame Finish

- 1A** armless - ash A
- 1W** armless - walnut A
- 2A** arm - ash A
- 2W** arm - walnut A

Prices for Steps 1-2.

SNS1A	\$1295
SNS1W	\$1415
SNS2A	\$1655
SNS2W	\$1775

Step 3. Wood Finish

For armless - ash (1A) or arm - ash (2A)

- 66G** recograin wenge A +\$0
- 68W** recograin walnut, flat cut, matte sheen A +\$0
- 69G** recograin wenge A +\$0
- 69W** recograin walnut, quarter cut, matte sheen A +\$0

For armless - ash (1A) or arm - ash (2A)

- 98W** recograin walnut, flat cut, low sheen A +\$0
- 99G** recograin wenge, quarter cut, low sheen A +\$0
- 99W** recograin walnut, quarter cut, low sheen A +\$0

Low Sheen Finishes (on Ash)

For armless - ash (1A) or arm - ash (2A)

- 967** smoked paldao, low sheen A +\$0
- 969** warm paldao, low sheen A +\$0

Low Sheen Finishes (on Ash)

For armless - ash (1A) or arm - ash (2A)

- 940** sundance cherry on maple A +\$0
- 962** toasted walnut, low sheen A +\$0
- 963** charred walnut, low sheen A +\$0
- 964** bronzed walnut, low sheen A +\$0
- 965** smoked walnut, low sheen A +\$0
- 966** coffee walnut, low sheen A +\$0
- 977** chocolate ash, low sheen A +\$0
- 98R** recograin rosewood A +\$0
- 99A** recograin frosty ash A +\$0
- 99R** recograin rosewood A +\$0
- 99T** recograin teak A +\$0
- 9A1** white ash, quarter cut, low sheen A +\$0
- 9K1** rift oak, rift cut, low sheen A +\$0
- 9K6** burnt oak, rift cut, low sheen A +\$0
- EK** medium red walnut A +\$0
- G2U** light brown walnut, low sheen A +\$0
- G40** dark brown walnut, low sheen A +\$0
- UX** walnut on cherry, flat cut, low sheen A +\$0
- 943** caramel cherry A +\$0
- 946** cocoa cherry A +\$0
- 956** cocoa sapele A +\$0
- 991** champagne ash A +\$0
- 998** ebony ash A +\$0
- ED** aged cherry A +\$0

Matte Sheen Finishes (on Ash)

For armless - ash (1A) or arm - ash (2A)

- 667** smoked paldao, quarter cut, matte sheen A +\$0
- 669** warm paldao, quarter cut, matte sheen A +\$0
- 66A** frosty ash recograin, quarter cut, matte sheen A +\$0
- 677** chocolate ash, matte sheen A +\$0
- 68R** recograin rosewood A +\$0
- 69A** recograin frosty ash A +\$0
- 69R** recograin rosewood A +\$0
- 69T** recograin teak A +\$0
- 6K1** rift oak A +\$0
- ET** clear on ash A +\$0
- EU** oak on ash A +\$0
- EV** walnut on ash A +\$0
- GOU** natural walnut, flat cut, matte sheen A +\$0
- 6A1** white ash A +\$0
- 6K6** burnt oak A +\$0

Nessel Chair *continued*

<i>For armless - walnut (1W) or arm - walnut (2W)</i>		
967	smoked paldao, low sheen A	+\$0
969	warm paldao, low sheen A	+\$0

<i>For armless - walnut (1W) or arm - walnut (2W)</i>		
662	toasted walnut, matte sheen A	+\$0
663	charred walnut, matte sheen A	+\$0
664	bronzed walnut, matte sheen A	+\$0
665	smoked walnut, matte sheen A	+\$0
666	coffee walnut, matte sheen A	+\$0
68R	recograin rosewood A	+\$0
69R	recograin rosewood A	+\$0
GOU	natural walnut, flat cut, matte sheen A	+\$0

<i>For armless - walnut (1W) or arm - walnut (2W)</i>		
96G	wenge recograin, quarter cut, low sheen A	+\$0
99G	recograin wenge, quarter cut, low sheen A	+\$0

<i>For armless - walnut (1W) or arm - walnut (2W)</i>		
66G	recograin wenge A	+\$0
69G	recograin wenge A	+\$0

Low Sheen Finishes (on Walnut)

<i>For armless - walnut (1W) or arm - walnut (2W)</i>		
962	toasted walnut, low sheen A	+\$0
963	charred walnut, low sheen A	+\$0
964	bronzed walnut, low sheen A	+\$0
965	smoked walnut, low sheen A	+\$0
966	coffee walnut, low sheen A	+\$0
972	sundance walnut A	+\$0
98R	recograin rosewood A	+\$0
99R	recograin rosewood A	+\$0
G2U	light brown walnut, low sheen A	+\$0
G40	dark brown walnut, low sheen A	+\$0
EK	medium red walnut A	+\$0

Step 4. Seat Border/Outside Back	1A	1W	2A	2W
	Price Category (Geiger) COL A	+\$0	0	0
Price Category (Geiger) COM A	+\$0	0	0	0
Price Category 1	+\$0	0	0	0
Price Category (Geiger) 2	+\$0	0	0	0
Price Category 2	+\$35	35	47	47
Price Category (Geiger) 3	+\$44	44	59	59
Price Category 3	+\$44	44	59	59
Price Category (Geiger) 4	+\$54	54	72	72
Price Category (Geiger) 5	+\$79	79	105	105
Price Category 5	+\$79	79	105	105
Price Category (Geiger) 6	+\$104	104	138	138
Price Category (Geiger) 7	+\$128	128	171	171
Price Category 7	+\$128	128	128	128
Price Category (Geiger) 8	+\$197	197	262	262
Price Category 9	+\$244	244	325	325
Price Category (Geiger) 10	+\$281	281	374	374
Price Category (Geiger) 11	+\$314	314	419	419
Price Category 11	+\$314	314	419	419
Price Category (Geiger) C	+\$40	40	53	53
Price Category (Geiger) D	+\$53	53	70	70
Price Category (Geiger) G	+\$104	104	139	139
Price Category (Geiger) H	+\$130	130	173	173
Price Category (Geiger) I	+\$157	157	209	209
Price Category (Geiger) K	+\$211	211	281	281
Price Category (Geiger) L	+\$238	238	317	317
Price Category (Geiger) M	+\$265	265	353	353

Nessel Chair *continued*

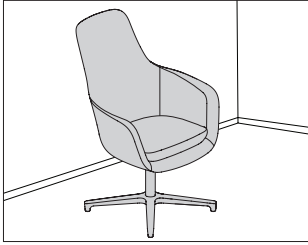
Herman Miller Collection—Side & Stacking Chairs

Step 5. Seat Cushion Top/Inside Back				
	1A	1W	2A	2W
Price Category 1	+\$0	0	0	0
Price Category (Geiger) 2	+\$0	0	0	0
Price Category 2	+\$35	35	47	47
Price Category (Geiger) 3	+\$44	44	59	59
Price Category 3	+\$44	44	59	59
Price Category (Geiger) 4	+\$54	54	72	72
Price Category (Geiger) 5	+\$79	79	105	105
Price Category 5	+\$79	79	105	105
Price Category (Geiger) 6	+\$104	104	138	138
Price Category (Geiger) 7	+\$128	128	171	171
Price Category 7	+\$128	128	128	128
Price Category (Geiger) 8	+\$197	197	262	262
Price Category 9	+\$244	244	325	325
Price Category (Geiger) 10	+\$281	281	374	374
Price Category (Geiger) 11	+\$314	314	419	419
Price Category 11	+\$314	314	419	419
Price Category (Geiger) C	+\$0	0	0	0
Price Category (Geiger) D	+\$53	53	70	70
Price Category (Geiger) G	+\$104	104	139	139
Price Category (Geiger) H	+\$130	130	173	173
Price Category (Geiger) I	+\$157	157	209	209
Price Category (Geiger) K	+\$211	211	281	281
Price Category (Geiger) L	+\$238	238	317	317
Price Category (Geiger) M	+\$265	265	353	353
Price Category (Geiger) COL <input type="checkbox"/>	+\$0	0	0	0
Price Category (Geiger) COM <input type="checkbox"/>	+\$0	0	0	0

Step 6. Fire Retardancy				
	1A	1W	2A	2W
NOCAL no cal-133 required <input type="checkbox"/>	+\$0	0	0	0
133 cal-133 required <input type="checkbox"/>	+\$49	49	65	65

Saiba Conference Chair

SBN1H
SBN1M



Product Information

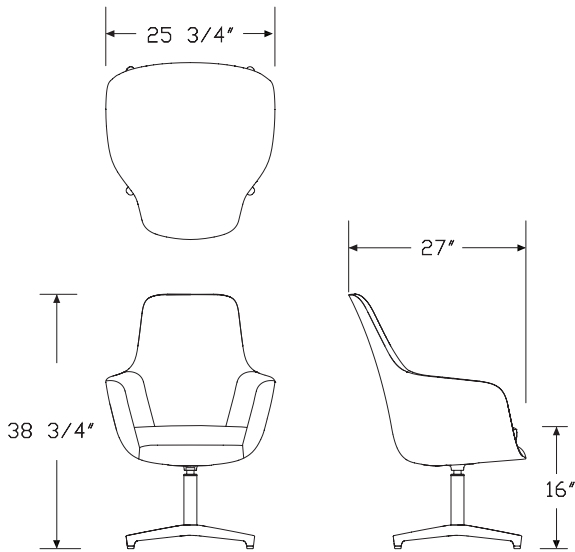
Description

This swivel chair has a high back or mid back and a 4-star self-return base with glides. Seat frame is rigid urethane with polyurethane foam. Cushion is high density FR foam.

Notes

Customer's Own Material (COM) requires 3 yards for high back (H) or 2¾ yards for mid back (M). Customer's Own Leather (COL) requires 54 square feet for high back (H) or 49½ square feet for mid back (M). See Order Information in appendices.

Dimensions



Specification Information

Step 1.

SBN1 A

Step 2. Back Height

M mid back A

H high back A

Prices for Steps 1-2.

SBN1M	\$1750
SBN1H	\$1850

Step 3. Upholstery

	M	H
Price Category (Geiger) COL <input type="checkbox"/> A	+\$0	0
Price Category (Geiger) COM <input type="checkbox"/> A	+\$0	0
Price Category 1	+\$0	0
Price Category (Geiger) 2	+\$129	177
Price Category 2	+\$129	177
Price Category (Geiger) 3	+\$162	177
Price Category 3	+\$162	177
Price Category (Geiger) 4	+\$198	216
Price Category (Geiger) 5	+\$289	315
Price Category 5	+\$289	315
Price Category (Geiger) 7	+\$470	513
Price Category 9	+\$894	975
Price Category (Geiger) 10	+\$1029	1122
Price Category (Geiger) 11	+\$1152	1257
Price Category 11	+\$1152	1257
Price Category (Geiger) H	+\$476	519

Step 4. Base Finish

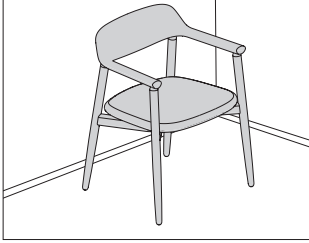
BK black <input type="checkbox"/> A	+\$0
CD polished aluminum <input type="checkbox"/> A	+\$0

Step 5. Fire Retardancy

	M	H
NOCAL no cal-133 required <input type="checkbox"/> A	+\$0	0
133 cal-133 required <input type="checkbox"/> A	+\$179	195

Crosshatch Side Chair

SES2A
SES2W



Herman Miller Collection—Side & Stacking Chairs

Product Information

Description

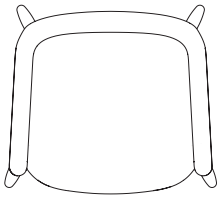
This side chair has a solid wood frame with an upholstered seat. Frame comes in ash or walnut.

Notes

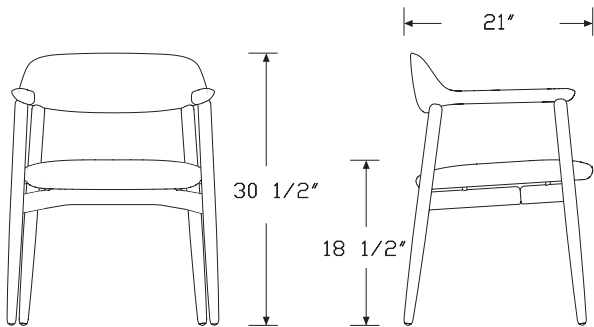
Fire retardant chair meets CAL 133 requirements.

Customer's Own Material (COM) requires $\frac{3}{4}$ yards. Customer's Own Leather (COL) requires $13\frac{1}{2}$ square feet. See Order Information in appendices.

Dimensions



← 23 3/4" →



Specification Information

Step 1.

SES2 A

Step 2. Frame Finish

A ash A

W walnut A

Prices for Steps 1-2.

SES2A \$1485

SES2W \$2035

Step 3. Wood Finish

RecoGrain Veneer

For ash (A)

66G recoGrain wenge A +\$0

68W recoGrain walnut, flat cut, matte sheen A +\$0

69G recoGrain wenge A +\$0

69W recoGrain walnut, quarter cut, matte sheen A +\$0

Recon Veneer -

For ash (A)

98W recoGrain walnut, flat cut, low sheen A +\$0

99G recoGrain wenge, quarter cut, low sheen A +\$0

99W recoGrain walnut, quarter cut, low sheen A +\$0

Low Sheen Finishes (on Ash)

For ash (A)

967 smoked paldao, low sheen A +\$0

969 warm paldao, low sheen A +\$0

Crosshatch Side Chair *continued*

Low Sheen Finishes (on Ash)

For ash (A)

940	sundance cherry on maple	A	+\$0
962	toasted walnut, low sheen	A	+\$0
963	charred walnut, low sheen	A	+\$0
964	bronzed walnut, low sheen	A	+\$0
965	smoked walnut, low sheen	A	+\$0
966	coffee walnut, low sheen	A	+\$0
977	chocolate ash, low sheen	A	+\$0
98R	recograin rosewood	A	+\$0
99A	recograin frosty ash	A	+\$0
99R	recograin rosewood	A	+\$0
99T	recograin teak	A	+\$0
9A1	white ash, quarter cut, low sheen	A	+\$0
9K1	rift oak, rift cut, low sheen	A	+\$0
9K6	burnt oak, rift cut, low sheen	A	+\$0
EK	medium red walnut	A	+\$0
G2U	light brown walnut, low sheen	A	+\$0
G40	dark brown walnut, low sheen	A	+\$0
UX	walnut on cherry	A	+\$0
943	caramel cherry	A	+\$0
946	cocoa cherry	A	+\$0
956	cocoa sapele	A	+\$0
991	champagne ash	A	+\$0
998	ebony ash	A	+\$0
ED	aged cherry	A	+\$0

Matte Sheen Finishes (on Ash)

For ash (A)

66A	recograin frosty ash	A	+\$0
677	chocolate ash, matte sheen	A	+\$0
68R	recograin rosewood	A	+\$0
69A	recograin frosty ash	A	+\$0
69R	recograin rosewood	A	+\$0
69T	recograin teak	A	+\$0
6K1	rift oak	A	+\$0
ET	clear on ash	A	+\$0
EU	oak on ash	A	+\$0
EV	walnut on ash	A	+\$0
GOU	natural walnut, flat cut, matte sheen	A	+\$0
6A1	white ash	A	+\$0
6K6	burnt oak	A	+\$0

Anigre Veneer - Low Sheen

For walnut (W)

967	smoked paldao, low sheen	A	+\$0
969	warm paldao, low sheen	A	+\$0

Premium Veneer - Matte

For walnut (W)

662	toasted walnut, matte sheen	A	+\$0
663	charred walnut, matte sheen	A	+\$0
664	bronzed walnut, matte sheen	A	+\$0
665	smoked walnut, matte sheen	A	+\$0
666	coffee walnut, matte sheen	A	+\$0
667	smoked paldao, quarter cut, matte sheen	A	+\$0
669	warm paldao, quarter cut, matte sheen	A	+\$0
68R	recograin rosewood	A	+\$0
69R	recograin rosewood	A	+\$0
GOU	natural walnut, flat cut, matte sheen	A	+\$0

RecoGrain Veneer

For walnut (W)

66G	recograin wenge	A	+\$0
69G	recograin wenge	A	+\$0

For walnut (W)

96G	wenge recograin, quarter cut, low sheen	A	+\$0
99G	recograin wenge, quarter cut, low sheen	A	+\$0

Low Sheen Finishes (on Walnut)

For walnut (W)

962	toasted walnut, low sheen	A	+\$0
963	charred walnut, low sheen	A	+\$0
964	bronzed walnut, low sheen	A	+\$0
965	smoked walnut, low sheen	A	+\$0
966	coffee walnut, low sheen	A	+\$0
972	sundance walnut	A	+\$0
98R	recograin rosewood	A	+\$0
99R	recograin rosewood	A	+\$0
G2U	light brown walnut, low sheen	A	+\$0
G40	dark brown walnut, low sheen	A	+\$0
EK	medium red walnut	A	+\$0

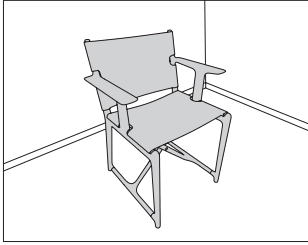
Crosshatch Side Chair *continued*

Herman Miller Collection—Side & Stacking Chairs

Step 4. Fabric	
Price Category 1	+\$0
Price Category 2	+\$35
Price Category (Geiger) 3	+\$44
Price Category 3	+\$44
Price Category (Geiger) 4	+\$54
Price Category (Geiger) 5	+\$79
Price Category 5	+\$79
Price Category (Geiger) 6	+\$0
Price Category (Geiger) 7	+\$128
Price Category (Geiger) 8	+\$197
Price Category 9	+\$244
Price Category (Geiger) 10	+\$281
Price Category (Geiger) 11	+\$314
Price Category 11	+\$314
Price Category (Geiger) 14	+\$412
Price Category (Geiger) C	+\$40
Price Category (Geiger) G	+\$104
Price Category (Geiger) H	+\$130
Price Category (Geiger) J	+\$184
Price Category (Geiger) K	+\$211
Price Category (Geiger) L	+\$476
Price Category (Geiger) M	+\$530
Price Category (Geiger) COL <input type="checkbox"/>	+\$54
Price Category (Geiger) COM <input type="checkbox"/>	+\$0
Step 5. Fire Retardancy	
NOCAL no cal-133 required <input type="checkbox"/>	+\$0
133 cal-133 required <input type="checkbox"/>	+\$49

Stanley Chair

XXSD1

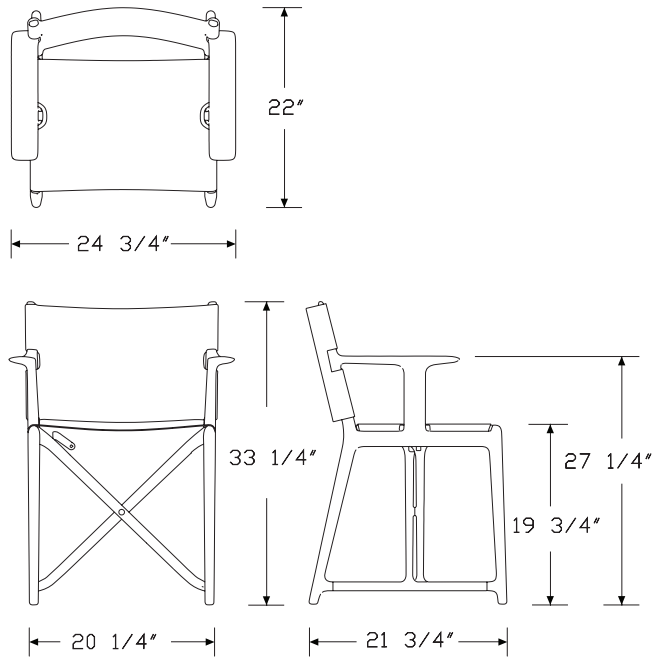


Product Information

Description

This folding chair has a polypropylene frame with glass fiber added. Seat and back are made with outdoor performance fabric. Chair is suitable for outdoor use. Sold individually.

Dimensions



Specification Information

Step 1.

XXSD193 A

Step 2. Textile Option

0 fabric seat and back A

Prices for Steps 1-2.

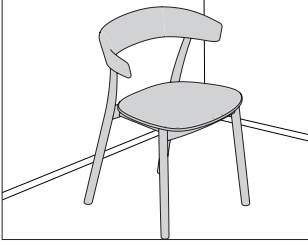
XXSD193 0 \$890

Step 3. Frame and Seat/Back Combination

- Y21** white frame with white outdoor fabric A +\$0
- Y22** black frame with black outdoor fabric A +\$0
- Y23** beige frame with beige outdoor fabric A +\$0

Leeway™ Wood Side Chair

SVWUA
SVWUW
SVWWA
SVWWW



Product Information

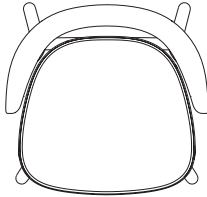
Description

This side chair has a solid wood frame available with or without an upholstered seat.

Notes

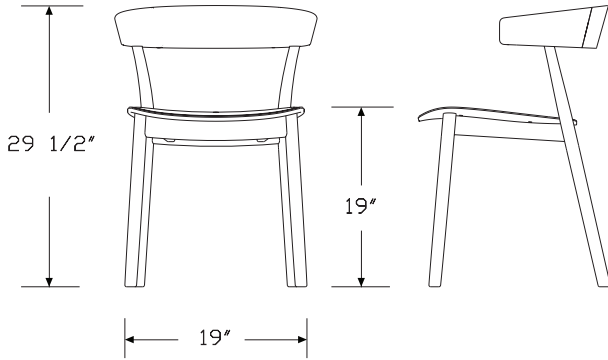
Customer's Own Material (COM) requires $\frac{3}{4}$ yard. Customer's Own Leather (COL) requires $13\frac{1}{2}$ square feet. See Order Information in appendices.

Dimensions



21 1/8"

20"



29 1/2"

19"

19"

Specification Information

Step 1.

SVW A

Step 2. Seat

U upholstered seat A

W wood seat A

Step 3. Wood Species

A ash A

W walnut A

Prices for Steps 1-3.

SVWUA	\$1185
SVWUW	\$1585
SVWWA	\$1085
SVWWW	\$1485

Step 4. Wood Finish

For ash (A)

940	sundance cherry on maple, low sheen <input type="checkbox"/>	+\$0
943	caramel cherry, low sheen <input type="checkbox"/>	+\$0
946	cocoa cherry, low sheen <input type="checkbox"/>	+\$0
956	cocoa sapele, low sheen <input type="checkbox"/>	+\$0
962	toasted walnut, low sheen <input type="checkbox"/>	+\$0
963	charred walnut, low sheen <input type="checkbox"/>	+\$0
964	bronzed walnut, low sheen <input type="checkbox"/>	+\$0
965	smoked walnut, low sheen <input type="checkbox"/>	+\$0
966	coffee walnut, low sheen <input type="checkbox"/>	+\$0
967	smoked paldao, low sheen <input type="checkbox"/>	+\$0
969	warm paldao, low sheen <input type="checkbox"/>	+\$0
96A	recograin frosty ash, low sheen <input type="checkbox"/>	+\$0
96G	recograin wenge, low sheen <input type="checkbox"/>	+\$0
96W	recograin walnut, low sheen <input type="checkbox"/>	+\$0
977	chocolate ash, low sheen <input type="checkbox"/>	+\$0
98R	recograin rosewood, low sheen <input type="checkbox"/>	+\$0
98W	recograin walnut, low sheen <input type="checkbox"/>	+\$0
991	champagne ash, low sheen <input type="checkbox"/>	+\$0
998	ebony ash, low sheen <input type="checkbox"/>	+\$0
99G	recograin wenge, low sheen <input type="checkbox"/>	+\$0
99R	recograin rosewood, low sheen <input type="checkbox"/>	+\$0
99T	recograin teak, low sheen <input type="checkbox"/>	+\$0
99W	recograin walnut, low sheen <input type="checkbox"/>	+\$0
9A1	white ash, low sheen <input type="checkbox"/>	+\$0
9K1	rift oak, low sheen <input type="checkbox"/>	+\$0
9K6	burnt oak, low sheen <input type="checkbox"/>	+\$0
ED	aged cherry, low sheen <input type="checkbox"/>	+\$0
EK	medium red walnut, low sheen <input type="checkbox"/>	+\$0
G2U	light brown walnut, low sheen <input type="checkbox"/>	+\$0
G40	dark brown walnut, low sheen <input type="checkbox"/>	+\$0
UX	walnut on cherry, low sheen <input type="checkbox"/>	+\$0

For ash (A)

662	toasted walnut, matte sheen <input type="checkbox"/>	+\$0
663	charred walnut, matte sheen <input type="checkbox"/>	+\$0
664	bronzed walnut, matte sheen <input type="checkbox"/>	+\$0
665	smoked walnut, matte sheen <input type="checkbox"/>	+\$0
666	coffee walnut, matte sheen <input type="checkbox"/>	+\$0
667	smoked paldao, matte sheen <input type="checkbox"/>	+\$0
669	warm paldao, matte sheen <input type="checkbox"/>	+\$0
66A	recograin frosty ash, matte sheen <input type="checkbox"/>	+\$0
66G	recograin wenge, matte sheen <input type="checkbox"/>	+\$0
66W	recograin walnut, matte sheen <input type="checkbox"/>	+\$0
677	chocolate ash, matte sheen <input type="checkbox"/>	+\$0
68R	recograin rosewood, matte sheen <input type="checkbox"/>	+\$0
68W	recograin walnut, matte sheen <input type="checkbox"/>	+\$0
69A	recograin frosty ash, matte sheen <input type="checkbox"/>	+\$0
69G	recograin wenge, matte sheen <input type="checkbox"/>	+\$0
69R	recograin rosewood, matte sheen <input type="checkbox"/>	+\$0
69T	recograin teak, matte sheen <input type="checkbox"/>	+\$0
69W	recograin walnut, matte sheen <input type="checkbox"/>	+\$0
6A1	white ash, matte sheen <input type="checkbox"/>	+\$0
6ET	clear on ash, ash solid, matte sheen <input type="checkbox"/>	+\$0
6EU	oak on ash, oak solid, matte sheen <input type="checkbox"/>	+\$0
6EV	walnut on ash, walnut solid, matte sheen <input type="checkbox"/>	+\$0
6K1	rift oak, matte sheen <input type="checkbox"/>	+\$0
6K6	burnt oak, matte sheen <input type="checkbox"/>	+\$0
ET	clear on ash, matte sheen <input type="checkbox"/>	+\$0
EU	oak on ash, matte sheen <input type="checkbox"/>	+\$0
EV	walnut on ash, matte sheen <input type="checkbox"/>	+\$0
GOU	walnut, matte sheen <input type="checkbox"/>	+\$0

For walnut (W)

962	toasted walnut, low sheen <input type="checkbox"/>	+\$0
963	charred walnut, low sheen <input type="checkbox"/>	+\$0
964	bronzed walnut, low sheen <input type="checkbox"/>	+\$0
965	smoked walnut, low sheen <input type="checkbox"/>	+\$0
966	coffee walnut, low sheen <input type="checkbox"/>	+\$0
967	smoked paldao, low sheen <input type="checkbox"/>	+\$0
969	warm paldao, low sheen <input type="checkbox"/>	+\$0
96G	recograin wenge, low sheen <input type="checkbox"/>	+\$0
972	sundance walnut, low sheen <input type="checkbox"/>	+\$0
98R	recograin rosewood, low sheen <input type="checkbox"/>	+\$0
99G	recograin wenge, low sheen <input type="checkbox"/>	+\$0
EK	medium red walnut, low sheen <input type="checkbox"/>	+\$0
G2U	light brown walnut, low sheen <input type="checkbox"/>	+\$0
G40	dark brown walnut, low sheen <input type="checkbox"/>	+\$0

Leeway™ Wood Side Chair *continued*

For walnut (W)

662	toasted walnut, matte sheen	<input type="checkbox"/> A	+\$0
663	charred walnut, matte sheen	<input type="checkbox"/> A	+\$0
664	bronzed walnut, matte sheen	<input type="checkbox"/> A	+\$0
665	smoked walnut, matte sheen	<input type="checkbox"/> A	+\$0
666	coffee walnut, matte sheen	<input type="checkbox"/> A	+\$0
667	smoked paldao, matte sheen	<input type="checkbox"/> A	+\$0
669	warm paldao, matte sheen	<input type="checkbox"/> A	+\$0
66G	recograin wenge, matte sheen	<input type="checkbox"/> A	+\$0
68R	recograin rosewood, matte sheen	<input type="checkbox"/> A	+\$0
69G	recograin wenge, matte sheen	<input type="checkbox"/> A	+\$0
69R	recograin rosewood, matte sheen	<input type="checkbox"/> A	+\$0
6EV	walnut on ash, walnut solid, matte sheen	<input type="checkbox"/> A	+\$0
EV	walnut on ash, matte sheen	<input type="checkbox"/> A	+\$0
GOU	walnut, matte sheen	<input type="checkbox"/> A	+\$0

Step 5. Fabric

For upholstered seat (U)

Price Category (Geiger) COL	<input type="checkbox"/> A	+\$54
Price Category (Geiger) COM	<input type="checkbox"/> A	+\$0
Price Category 1		+\$0
Price Category 2		+\$35
Price Category (Geiger) 3		+\$44
Price Category 3		+\$44
Price Category (Geiger) 4		+\$54
Price Category (Geiger) 5		+\$79
Price Category 5		+\$79
Price Category (Geiger) 6		+\$104
Price Category (Geiger) 7		+\$128
Price Category (Geiger) 8		+\$197
Price Category 9		+\$244
Price Category (Geiger) 10		+\$281
Price Category (Geiger) 11		+\$314
Price Category 11		+\$314
Price Category (Geiger) 14		+\$412
Price Category (Geiger) C		+\$64
Price Category (Geiger) D		+\$53
Price Category (Geiger) E		+\$64
Price Category (Geiger) G		+\$70
Price Category (Geiger) H		+\$130
Price Category (Geiger) J		+\$184
Price Category (Geiger) K		+\$211
Price Category (Geiger) L		+\$238
Price Category (Geiger) M		+\$265

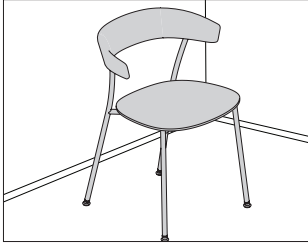
Step 6. Fire Retardancy

For upholstered seat (U)

NOCAL	not fire retardant	<input type="checkbox"/> A	+\$0
133	cal-133 required	<input type="checkbox"/> A	+\$49

Leeway™ Metal Frame Side Chair

SVMP
SVMUA
SVMUW
SVMWA
SVMWW



Product Information

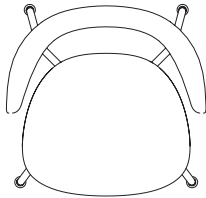
Description

This side chair has a solid wood seat and back with a metal frame or a polyurethane seat and back with a metal frame. All options available with or without an upholstered seat.

Notes

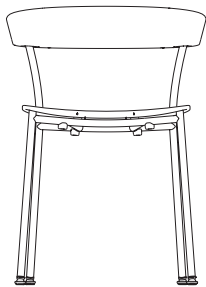
Customer's Own Material (COM) requires 1/2 yard. Customer's Own Leather (COL) requires 9 square feet. See Order Information in appendices.

Dimensions



21 1/8"

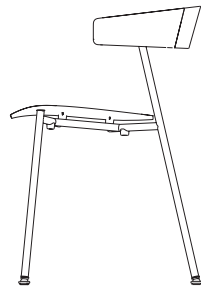
20 1/8"



29 1/2"

19"

19 1/2"



Specification Information

Step 1.

SVM

Step 2. Seat/Back

U upholstered seat, wood back

W wood seat and back

P polyurethane seat and back

Step 3. Wood Species

A ash

W walnut

Prices for Steps 1-3.

SVMP	\$985
SVMUA	\$1285
SVMUW	\$885
SVMWA	\$1185
SVMWW	\$585

Step 4. Frame Finish

BK black <input type="checkbox"/>	+\$0
SAC satin chrome <input type="checkbox"/>	+\$0

Leeway™ Metal Frame Side Chair

continued

Step 5. Seat/Back Finish

For upholstered seat, wood back (U) or wood seat and back (W) with ash (A)

940	sundance cherry on maple, low sheen <input type="checkbox"/>	+\$0
943	caramel cherry, low sheen <input type="checkbox"/>	+\$0
946	cocoa cherry, low sheen <input type="checkbox"/>	+\$0
956	cocoa sapele, low sheen <input type="checkbox"/>	+\$0
962	toasted walnut, low sheen <input type="checkbox"/>	+\$0
963	charred walnut, low sheen <input type="checkbox"/>	+\$0
964	bronzed walnut, low sheen <input type="checkbox"/>	+\$0
965	smoked walnut, low sheen <input type="checkbox"/>	+\$0
966	coffee walnut, low sheen <input type="checkbox"/>	+\$0
967	smoked paldao, low sheen <input type="checkbox"/>	+\$0
969	warm paldao, low sheen <input type="checkbox"/>	+\$0
96A	recograin frosty ash, low sheen <input type="checkbox"/>	+\$0
96G	recograin wenge, low sheen <input type="checkbox"/>	+\$0
96W	recograin walnut, low sheen <input type="checkbox"/>	+\$0
977	chocolate ash, low sheen <input type="checkbox"/>	+\$0
98R	recograin rosewood, low sheen <input type="checkbox"/>	+\$0
98W	recograin walnut, low sheen <input type="checkbox"/>	+\$0
991	champagne ash, low sheen <input type="checkbox"/>	+\$0
998	ebony ash, low sheen <input type="checkbox"/>	+\$0
99G	recograin wenge, low sheen <input type="checkbox"/>	+\$0
99R	recograin rosewood, low sheen <input type="checkbox"/>	+\$0
99T	recograin teak, low sheen <input type="checkbox"/>	+\$0
99W	recograin walnut, low sheen <input type="checkbox"/>	+\$0
9A1	white ash, low sheen <input type="checkbox"/>	+\$0
9K1	rift oak, low sheen <input type="checkbox"/>	+\$0
9K6	burnt oak, low sheen <input type="checkbox"/>	+\$0
ED	aged cherry, low sheen <input type="checkbox"/>	+\$0
EK	medium red walnut, low sheen <input type="checkbox"/>	+\$0
G2U	light brown walnut, low sheen <input type="checkbox"/>	+\$0
G40	dark brown walnut, low sheen <input type="checkbox"/>	+\$0
UX	walnut on cherry, low sheen <input type="checkbox"/>	+\$0

For upholstered seat, wood back (U) or wood seat and back (W) with ash (A)

662	toasted walnut, matte sheen <input type="checkbox"/>	+\$0
663	charred walnut, matte sheen <input type="checkbox"/>	+\$0
664	bronzed walnut, matte sheen <input type="checkbox"/>	+\$0
665	smoked walnut, matte sheen <input type="checkbox"/>	+\$0
666	coffee walnut, matte sheen <input type="checkbox"/>	+\$0
667	smoked paldao, matte sheen <input type="checkbox"/>	+\$0
669	warm paldao, matte sheen <input type="checkbox"/>	+\$0
66A	recograin frosty ash, matte sheen <input type="checkbox"/>	+\$0
66G	recograin wenge, matte sheen <input type="checkbox"/>	+\$0
66W	recograin walnut, matte sheen <input type="checkbox"/>	+\$0
677	chocolate ash, matte sheen <input type="checkbox"/>	+\$0
68R	recograin rosewood, matte sheen <input type="checkbox"/>	+\$0
68W	recograin walnut, matte sheen <input type="checkbox"/>	+\$0
69A	recograin frosty ash, matte sheen <input type="checkbox"/>	+\$0
69G	recograin wenge, matte sheen <input type="checkbox"/>	+\$0
69R	recograin rosewood, matte sheen <input type="checkbox"/>	+\$0
69T	recograin teak, matte sheen <input type="checkbox"/>	+\$0
69W	recograin walnut, matte sheen <input type="checkbox"/>	+\$0
6A1	white ash, matte sheen <input type="checkbox"/>	+\$0
6ET	clear on ash, matte sheen <input type="checkbox"/>	+\$0
6EU	clear on oak, matte sheen <input type="checkbox"/>	+\$0
6EV	walnut on ash, matte sheen <input type="checkbox"/>	+\$0
6K1	rift oak, matte sheen <input type="checkbox"/>	+\$0
6K6	burnt oak, matte sheen <input type="checkbox"/>	+\$0
ET	clear on ash, matte sheen <input type="checkbox"/>	+\$0
EU	oak on ash, matte sheen <input type="checkbox"/>	+\$0
EV	walnut on ash, matte sheen <input type="checkbox"/>	+\$0
GOU	walnut, matte sheen <input type="checkbox"/>	+\$0

Leeway™ Metal Frame Side Chair

continued

For upholstered seat, wood back (U) or wood seat and back (W) with walnut (W)

962	toasted walnut, low sheen <input type="checkbox"/>	+\$0
963	charred walnut, low sheen <input type="checkbox"/>	+\$0
964	bronzed walnut, low sheen <input type="checkbox"/>	+\$0
965	smoked walnut, low sheen <input type="checkbox"/>	+\$0
966	coffee walnut, low sheen <input type="checkbox"/>	+\$0
967	smoked paldao, low sheen <input type="checkbox"/>	+\$0
969	warm paldao, low sheen <input type="checkbox"/>	+\$0
96G	recograin wenge, low sheen <input type="checkbox"/>	+\$0
972	sundance walnut, low sheen <input type="checkbox"/>	+\$0
98R	recograin rosewood, low sheen <input type="checkbox"/>	+\$0
99G	recograin wenge, low sheen <input type="checkbox"/>	+\$0
99R	recograin rosewood, low sheen <input type="checkbox"/>	+\$0
EK	medium red walnut, low sheen <input type="checkbox"/>	+\$0
G2U	light brown walnut, low sheen <input type="checkbox"/>	+\$0
G40	dark brown walnut, low sheen <input type="checkbox"/>	+\$0

For upholstered seat, wood back (U) or wood seat and back (W) with walnut (W)

662	toasted walnut, matte sheen <input type="checkbox"/>	+\$0
663	charred walnut, matte sheen <input type="checkbox"/>	+\$0
664	bronzed walnut, matte sheen <input type="checkbox"/>	+\$0
665	smoked walnut, matte sheen <input type="checkbox"/>	+\$0
666	coffee walnut, matte sheen <input type="checkbox"/>	+\$0
667	smoked paldao, matte sheen <input type="checkbox"/>	+\$0
669	warm paldao, matte sheen <input type="checkbox"/>	+\$0
66G	recograin wenge, matte sheen <input type="checkbox"/>	+\$0
68R	recograin rosewood, matte sheen <input type="checkbox"/>	+\$0
69G	recograin wenge, matte sheen <input type="checkbox"/>	+\$0
69R	recograin rosewood, matte sheen <input type="checkbox"/>	+\$0
6EV	walnut on ash, matte sheen <input type="checkbox"/>	+\$0
EV	walnut on ash, matte sheen <input type="checkbox"/>	+\$0
GOU	walnut, matte sheen <input type="checkbox"/>	+\$0

For polyurethane seat and back (P)

BK	black <input type="checkbox"/>	+\$0
-----------	--------------------------------	------

Step 6. Fabric

For upholstered seat, wood back (U)

Price Category (Geiger) COL <input type="checkbox"/>	+\$36
Price Category (Geiger) COM <input type="checkbox"/>	+\$0
Price Category 1	+\$0
Price Category 2	+\$24
Price Category (Geiger) 3	+\$30
Price Category 3	+\$30
Price Category (Geiger) 4	+\$36
Price Category (Geiger) 5	+\$53
Price Category 5	+\$53
Price Category (Geiger) 6	+\$69
Price Category (Geiger) 7	+\$86
Price Category (Geiger) 8	+\$131
Price Category 9	+\$163
Price Category (Geiger) 10	+\$187
Price Category (Geiger) 11	+\$210
Price Category 11	+\$210
Price Category (Geiger) 14	+\$275
Price Category (Geiger) C	+\$27
Price Category (Geiger) D	+\$35
Price Category (Geiger) E	+\$43
Price Category (Geiger) G	+\$70
Price Category (Geiger) H	+\$87
Price Category (Geiger) J	+\$123
Price Category (Geiger) K	+\$141
Price Category (Geiger) L	+\$159
Price Category (Geiger) M	+\$177

Step 7. Fire Retardancy

For upholstered seat, wood back (U)

NOCAL not fire retardant <input type="checkbox"/>	+\$0
133 cal-133 required <input type="checkbox"/>	+\$33

Eames® Aluminum Group Lounge Chair

EA316
EA322



HermanMiller Collection—Lounge Seating

Product Information

Description

This low-back chair has a lightweight aluminum frame with suspended upholstery. It has a 4-star base with 1/2" (GD) glides for hard floors or carpet, swivel mechanism, and fixed seat height.

Notes

Chair is tested and warranted for use by persons 300 pounds and under. When chair is specified with Cygnus™ mesh, it meets CAL 133 requirements.

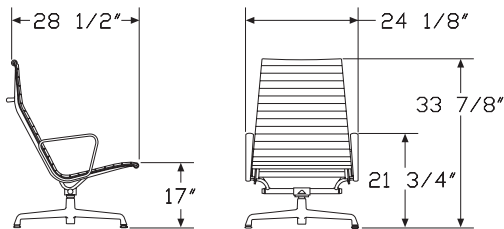
For description of glide, see Casters and Glides in Appendices.

For chair without headrest (EA316), Customer's Own Material (COM) requires 1 3/4 yards. Customer's Own Leather (COL) requires 55 square feet. See Order Information in Appendices.

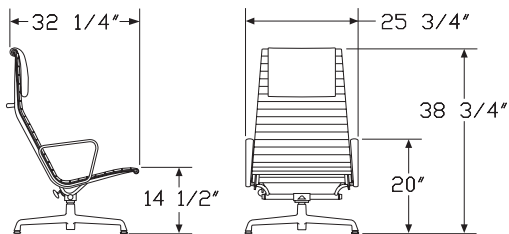
For chair with headrest (EA322), Customer's Own Material (COM) requires 3 yards. Customer's Own Leather (COL) requires 55 square feet. See Order Information in Appendices.

Dimensions

Swivel



Tilt Swivel



Specification Information

Step 1.

EA3 A

Step 2. Tilt/Arms

16 swivel and arms A

22 tilt swivel, arms, and headrest A

Prices for Steps 1-2.

EA316	\$1995
EA322	\$2160

Step 3. Base/Frame Finish

L	polished aluminum <input type="checkbox"/> A	+\$0
BK	black <input type="checkbox"/> A	+\$133
G2	graphite satin <input type="checkbox"/> A	+\$133
91	white <input type="checkbox"/> A	+\$133

Step 4. Fabric

For swivel and arms (16)

Price Category 1	+\$0
Price Category 2	+\$55
Price Category 3	+\$125
Price Category 4	+\$179
Price Category (Geiger) 4	+\$179
Price Category 5	+\$199
Price Category (Geiger) 5	+\$199
Price Category 6	+\$242
Price Category 7 <input type="checkbox"/> A	+\$240
Price Category (Geiger) 7	+\$240
Price Category 9	+\$621
Price Category (Geiger) 10	+\$702
Price Category 10M	+\$935
Price Category 11	+\$826
Price Category B	+\$57
Price Category C	+\$80
Price Category D	+\$103
Price Category E	+\$124
Price Category F	+\$161
Price Category G	+\$209
Price Category H	+\$254
Price Category I	+\$298
Price Category J	+\$343
Price Category K	+\$387
Price Category L	+\$432

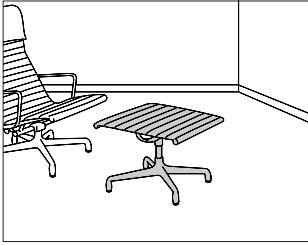
Eames® Aluminum Group Lounge Chair *continued*

For tilt swivel, arms, and headrest (22)

Price Category 1	+\$0
Price Category 2	+\$55
Price Category 3	+\$125
Price Category 4	+\$179
Price Category (Geiger) 4	+\$179
Price Category 5	+\$199
Price Category (Geiger) 5	+\$199
Price Category 6	+\$415
Price Category 7	+\$240
Price Category 9	+\$621
Price Category (Geiger) 10	+\$950
Price Category 10M	+\$1039
Price Category 11	+\$826
Price Category B	+\$57
Price Category C	+\$80
Price Category D	+\$103
Price Category E	+\$124
Price Category F	+\$161
Price Category G	+\$209
Price Category H	+\$254
Price Category I	+\$298
Price Category J	+\$343
Price Category K	+\$387
Price Category L	+\$432

Eames® Aluminum Group
Ottoman

EA323



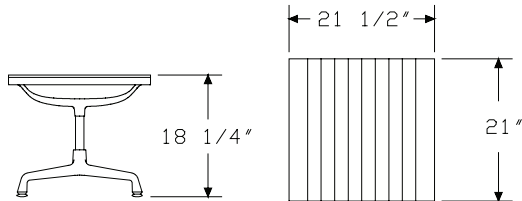
HermanMiller Collection—Lounge Seating

Product Information

Description
This upholstered ottoman has a lightweight aluminum frame and 1/2" (GD) glides for hard floors or carpet.

Notes
When ottoman is specified with Cygnus™ mesh, it meets CAL 133 requirements.
For description of glides, see Casters and Glides in Appendices.
Customer's Own Material (COM) requires 1 yard. Customer's Own Leather (COL) requires 20 square feet. See Order Information in Appendices.

Dimensions



Specification Information

Step 1.
EA323 [A] \$960

Step 2. Base/Frame Finish

L	polished aluminum [A]	+\$0
BK	black [A]	+\$69
G2	graphite satin [A]	+\$69
91	white [A]	+\$69

Step 3. Fabric
See application chart and textiles list for fabric usage and numbers. First 2 digits of number indicate fabric line; remaining digit(s) indicate fabric color.

Price Category 1	+\$0
Price Category 2	+\$29
Price Category 3	+\$55
Price Category 4	+\$83
Price Category (Geiger) 4	+\$83
Price Category 5	+\$104
Price Category (Geiger) 5	+\$0
Price Category 6	+\$125
Price Category 7 [A]	+\$109
Price Category (Geiger) 7	+\$109
Price Category 9	+\$281
Price Category (Geiger) 10	+\$320
Price Category 10M	+\$374
Price Category 11	+\$332
Price Category B	+\$29
Price Category C	+\$43
Price Category D	+\$59
Price Category E	+\$71
Price Category F	+\$92
Price Category G	+\$119
Price Category H	+\$145
Price Category I	+\$170
Price Category J	+\$196
Price Category K	+\$221
Price Category L	+\$247

Eames® Soft Pad Lounge Chair

EA416
EA422



Product Information

Description

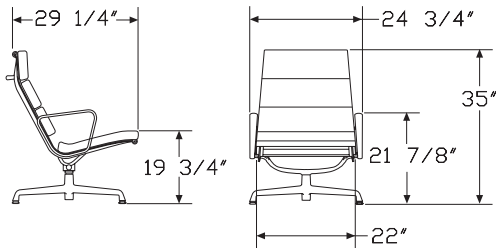
This high-back chair has a lightweight aluminum frame and 2"-thick upholstered foam cushions. It has a 4-star base with 1/2" (GD) glides for hard floors or carpet and a fixed seat height.

Notes

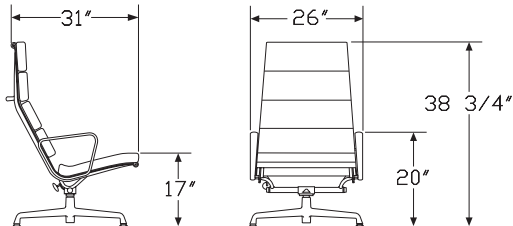
Chair is tested and warranted for use by persons 300 pounds and under. For description of glides, see Casters and Glides in Appendices. Customer's Own Material (COM) requires 3 yards for 3-cushion chair and 4 yards for 4-cushion chair. Customer's Own Leather (COL) requires 56 square feet for 3-cushion chair and 63 square feet for 4-cushion chair. See Order Information in Appendices.

Dimensions

Swivel



Tilt Swivel



Specification Information

Step 1.

EA4 A

Step 2. Tilt/Number of Cushions/Arms

16 swivel, 3 cushions, and arms A

22 tilt swivel, 4 cushions, and arms A

Prices for Steps 1-2.

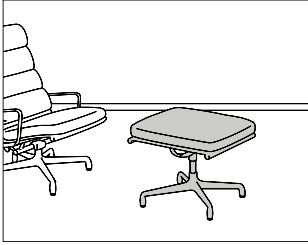
EA416	\$3470
EA422	\$3520

Step 3. Base/Frame Finish

L polished aluminum <input type="checkbox"/> A	+ \$0
BK black <input type="checkbox"/> A	+ \$133
G2 graphite satin <input type="checkbox"/> A	+ \$133
91 white <input type="checkbox"/> A	+ \$133

Step 4. Fabric

Price Category 1	+ \$0
Price Category 2	+ \$70
Price Category 3	+ \$164
Price Category (Geiger) 3	+ \$164
Price Category 4	+ \$262
Price Category 5	+ \$329
Price Category (Geiger) 5	+ \$329
Price Category 6	+ \$339
Price Category 7	+ \$349
Price Category (Geiger) 7	+ \$349
Price Category 9	+ \$630
Price Category (Geiger) 10	+ \$649
Price Category 10M	+ \$1094
Price Category 11	+ \$936
Price Category B	+ \$99
Price Category C	+ \$139
Price Category D	+ \$176
Price Category E	+ \$213
Price Category F	+ \$275
Price Category G	+ \$358
Price Category H	+ \$435
Price Category I	+ \$511
Price Category J	+ \$588
Price Category K	+ \$664
Price Category L	+ \$740
Price Category M	+ \$817
Price Category N	+ \$893
Price Category P	+ \$1046



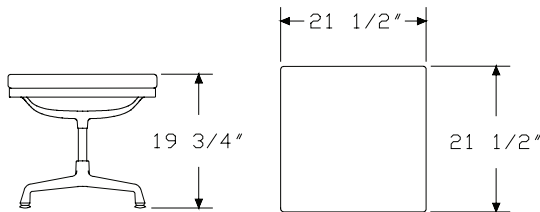
HermanMiller Collection—Lounge Seating

Product Information

Description
 This ottoman has a lightweight aluminum frame, a 2"-thick upholstered foam cushion, and 1/2" (GD) glides for hard floors or carpet.

Notes
 For description of glides, see Casters and Glides in Appendices.
 Customer's Own Material (COM) requires 1 1/4 yards. Customer's Own Leather (COL) requires 27 square feet. See Order Information in Appendices.

Dimensions



Specification Information

Step 1.
EA423 [A] \$1470

Step 2. Base/Frame Finish

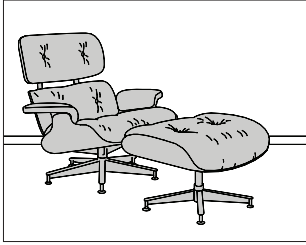
L	polished aluminum [A]	+\$0
BK	black [A]	+\$69
G2	graphite satin [A]	+\$69
91	white [A]	+\$69

Step 3. Fabric
 See application chart and textiles list for fabric usage and numbers.
 First 2 digits of number indicate fabric line; remaining digit(s) indicate fabric color.

Price Category 1	+\$0
Price Category 2	+\$69
Price Category 3	+\$104
Price Category (Geiger) 3	+\$104
Price Category 4	+\$130
Price Category 5	+\$143
Price Category (Geiger) 5	+\$143
Price Category 6	+\$160
Price Category 7	+\$139
Price Category (Geiger) 7	+\$139
Price Category 9	+\$308
Price Category (Geiger) 10	+\$348
Price Category 10M	+\$527
Price Category 11	+\$440
Price Category B	+\$36
Price Category C	+\$56
Price Category D	+\$74
Price Category E	+\$88
Price Category F	+\$115
Price Category G	+\$149
Price Category H	+\$181
Price Category I	+\$213
Price Category J	+\$245
Price Category K	+\$277
Price Category L	+\$309
Price Category M	+\$340
Price Category N	+\$372
Price Category P	+\$436

Eames® Lounge Chair and Ottoman

ES670



Product Information

Description

This fixed-height chair has a molded veneer seat and back shell; the ottoman has a molded veneer shell. Both the chair and ottoman have foam cushions with leather upholstery and a black enameled base with polished aluminum accents. The chair has a swivel mechanism.

Notes

Santos palisander veneer is celebrated for its unique grain and color variations. Similar products ordered in multiples or dissimilar products ordered separately should be expected to have variation in both grain and color characteristics.

The Eames® Lounge is handcrafted and should be celebrated as such.

No two chairs are alike.

Dimensions should be noted as reference guides and can vary up to $\frac{3}{4}$ ".

See illustration with dimensional chart for standard and tall versions.

Description of dimensions is below.

Given the degree of variation, below are the exact points from which dimensions are taken (reference to panel relates to the wood panel of chair shell):

A—Overall Depth is taken from front of seat panel to top of back panel.

B—Sit Height is taken from highest point of seat cushion to the floor.

C—Overall Width is measured from the outside edge of each arm rest.

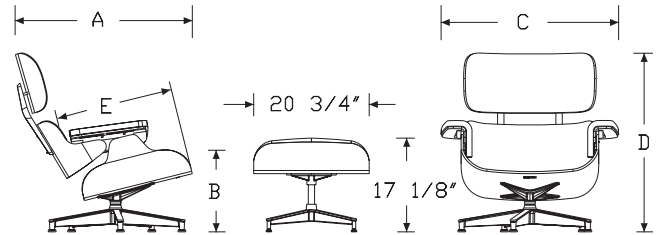
D—Overall Height is measured from top of back panel to the floor.

E—Seat Depth is taken from where seat cushion meets bottom back

panel cushion to front of seat panel.

Customer's Own Leather (COL) for the classic size (ES67071) requires 55 square feet, and for the tall size (ES67071T) requires 70 square feet. See Order Information in Appendices.

Dimensions



Size	A	B	C	D	E
Classic	35"	16"	33 1/2"	31 1/2"	21 1/4"
Tall	37 3/4"	16 1/2"	33 1/2"	33 1/4"	23 1/4"

Eames® Lounge Chair and Ottoman *continued*

Specification Information

Step 1.

ES6707 A

Step 2. Size

1 classic A

1T tall A

Prices for Steps 1-2.

ES6707 1	\$5298
1T	\$5527

Step 3. Shell Finish

OU walnut A +\$0

5Q oiled walnut A +\$979

9N santos palisander A +\$1014

5D oiled santos palisander A +\$1977

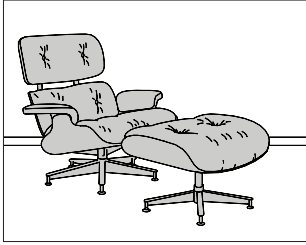
Step 4. Material

*See application chart and textiles list for fabric usage and numbers.
First 2 digits of number indicate fabric line; remaining digit(s) indicate fabric color.*

Price Category 7 <input type="checkbox"/> A	+\$300
Price Category 9	+\$612
Price Category (Geiger) 10	+\$768
Price Category 10M	+\$1383
Price Category 11	+\$893
Price Category (Geiger) 11	+\$924
Price Category L	+\$1225

Eames® Lounge Chair and Ottoman, Ebony

ES670



Product Information

Description

This fixed-height chair and ottoman has a molded ebony ash plywood shell and foam cushions with black leather upholstery. The chair base, back supports, and ottoman base are black enamel with aluminum accents. The chair has a swivel mechanism.

Notes

The Eames® Lounge is handcrafted and should be celebrated as such.

No two chairs are alike.

Dimensions should be noted as reference guides and can vary up to $\frac{3}{4}$ ".

See illustration with dimensional chart for standard and tall versions.

Description of dimensions is below.

Given the degree of variation, below are the exact points from which dimensions are taken (reference to panel relates to the wood panel of chair shell):

A—Overall Depth is taken from front of seat panel to top of back panel.

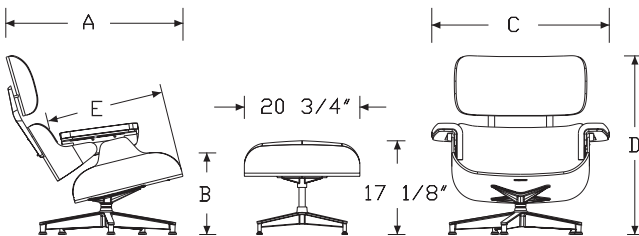
B—Sit Height is taken from highest point of seat cushion to the floor.

C—Overall Width is measured from the outside edge of each arm rest.

D—Overall Height is measured from top of back panel to the floor.

E—Seat Depth is taken from where seat cushion meets bottom back panel cushion to front of seat panel.

Dimensions



Size	A	B	C	D	E
Classic	35"	16"	33 1/2"	31 1/2"	21 1/4"
Tall	37 3/4"	16 1/2"	33 1/2"	33 1/4"	23 1/4"

Specification Information

Step 1.

ES67071E A

Step 2. Size

N classic A

NT tall A

Prices for Steps 1-2.

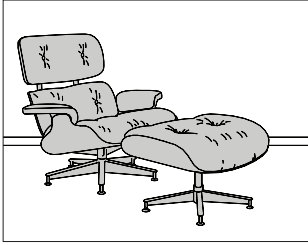
ES67071E N	\$5807
NT	\$6013

Step 3. Material

Price Category 11	+\$893
Price Category L	+\$1225

Eames® Lounge Chair and Ottoman White Ash

ES670



HermanMiller Collection—Lounge Seating

Product Information

Description

This fixed-height chair and ottoman has a molded white ash plywood shell and foam cushions with white leather upholstery. The chair base, back supports, and ottoman base are white enamel with aluminum accents. The chair has a swivel mechanism.

Notes

The Eames® Lounge is handcrafted and should be celebrated as such.

No two chairs are alike.

Dimensions should be noted as reference guides and can vary up to $\frac{3}{4}$ ".

See illustration with dimensional chart for standard and tall versions.

Description of dimensions is below.

Given the degree of variation, below are the exact points from which dimensions are taken (reference to panel relates to the wood panel of chair shell):

A—Overall Depth is taken from front of seat panel to top of back panel.

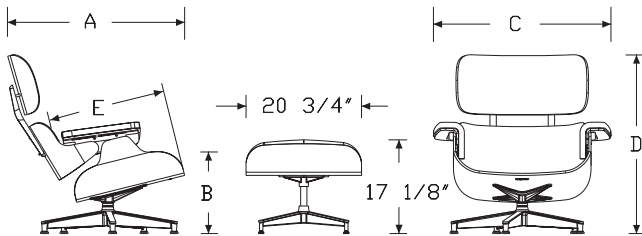
B—Sit Height is taken from highest point of seat cushion to the floor.

C—Overall Width is measured from the outside edge of each arm rest.

D—Overall Height is measured from top of back panel to the floor.

E—Seat Depth is taken from where seat cushion meets bottom back panel cushion to front of seat panel.

Dimensions



Size	A	B	C	D	E
Classic	35"	16"	33 1/2"	31 1/2"	21 1/4"
Tall	37 3/4"	16 1/2"	33 1/2"	33 1/4"	23 1/4"

Specification Information

Step 1.

ES67071R A

Step 2. Size

E classic A

ET tall A

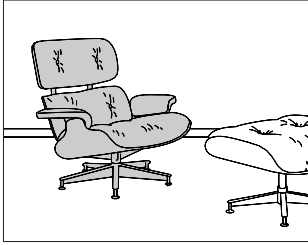
Prices for Steps 1-2.

ES67071R E	\$5807
ET	\$6013

Step 3. Material

Price Category 11 +\$893

Price Category L +\$1225



Product Information

Description

This fixed-height chair has a molded veneer seat and back shell. It has foam cushions with leather upholstery, a black enameled base with polished aluminum accents, and a swivel mechanism.

Notes

Santos palisander veneer is celebrated for its unique grain and color variations. Similar products ordered in multiples or dissimilar products ordered separately should be expected to have variation in both grain and color characteristics.

The Eames® Lounge is handcrafted and should be celebrated as such.

No two chairs are alike.

Dimensions should be noted as reference guides and can vary up to 3/4".

See illustration with dimensional chart for standard and tall versions.

Description of dimensions is below.

Given the degree of variation, below are the exact points from which dimensions are taken (reference to panel relates to the wood panel of chair shell):

A—Overall Depth is taken from front of seat panel to top of back panel.

B—Sit Height is taken from highest point of seat cushion to the floor.

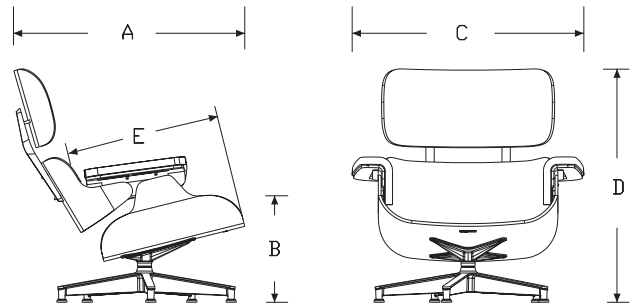
C—Overall Width is measured from the outside edge of each arm rest.

D—Overall Height is measured from top of back panel to the floor.

E—Seat Depth is taken from where seat cushion meets bottom back panel cushion to front of seat panel.

Customer's Own Leather (COL) for the classic size (ES670) requires 40 square feet, and for the tall size (ES670T) requires 55 square feet. See Order Information in appendices.

Dimensions



Size	A	B	C	D	E
Classic	35"	16"	33 1/2"	31 1/2"	21 1/4"
Tall	37 3/4"	16 1/2"	33 1/2"	33 1/4"	23 1/4"

Specification Information

Step 1.

ES67 A

Step 2. Size

0 classic A

0T tall A

Prices for Steps 1-2.

ES670 \$4264

ES670T \$4430

Step 3. Shell Finish

OU walnut A +\$0

5Q oiled walnut A +\$731

9N santos palisander A +\$812

5D oiled santos palisander A +\$1476

Step 4. Material

*See application chart and textiles list for fabric usage and numbers.
First 2 digits of number indicate fabric line; remaining digit(s) indicate fabric color.*

Price Category 7 A +\$288

Price Category 9 +\$448

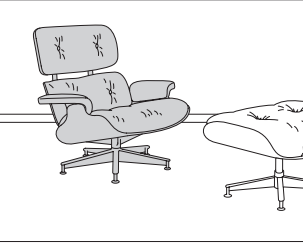
Price Category (Geiger) 10 +\$627

Price Category 10M +\$1014

Price Category 11 +\$651

Price Category (Geiger) 11 +\$672

Price Category L +\$1000



Product Information

Description

This fixed-height chair has a molded ebony ash plywood shell and foam cushions with black leather upholstery. The chair base and back supports are black enamel with aluminum accents. The chair has a swivel mechanism.

Notes

The Eames® Lounge is handcrafted and should be celebrated as such.

No two chairs are alike.

Dimensions should be noted as reference guides and can vary up to 3/4".

See illustration with dimensional chart for standard and tall versions.

Description of dimensions is below.

Given the degree of variation, below are the exact points from which dimensions are taken (reference to panel relates to the wood panel of chair shell):

A—Overall Depth is taken from front of seat panel to top of back panel.

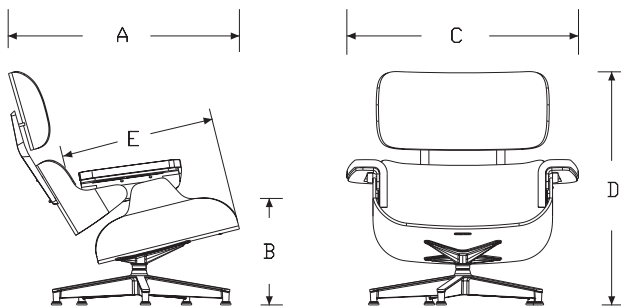
B—Sit Height is taken from highest point of seat cushion to the floor.

C—Overall Width is measured from the outside edge of each arm rest.

D—Overall Height is measured from top of back panel to the floor.

E—Seat Depth is taken from where seat cushion meets bottom back panel cushion to front of seat panel.

Dimensions



Size	A	B	C	D	E
Classic	35"	16"	33 1/2"	31 1/2"	21 1/4"
Tall	37 3/4"	16 1/2"	33 1/2"	33 1/4"	23 1/4"

Specification Information

Step 1.

ES670 A

Step 2. Size

EN classic A

ENT tall A

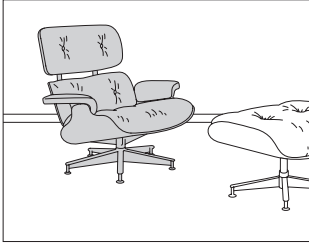
Prices for Steps 1-2.

ES670 EN	\$4569
ENT	\$4771

Step 3. Material

Price Category 11	+\$651
Price Category L	+\$1000

Eames® Lounge Chair White Ash ES670



HermanMiller Collection—Lounge Seating

Product Information

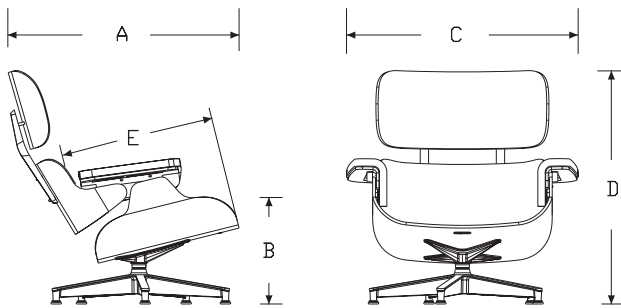
Description
 This fixed-height chair has a molded white ash plywood shell and foam cushions with white leather upholstery. The chair base and back supports are white enamel with aluminum accents. The chair has a swivel mechanism.

Notes

The Eames® Lounge is handcrafted and should be celebrated as such. No two chairs are alike. Dimensions should be noted as reference guides and can vary up to 3/4". See illustration with dimensional chart for standard and tall versions. Description of dimensions is below. Given the degree of variation, below are the exact points from which dimensions are taken (reference to panel relates to the wood panel of chair shell):

- A—Overall Depth is taken from front of seat panel to top of back panel.
- B—Sit Height is taken from highest point of seat cushion to the floor.
- C—Overall Width is measured from the outside edge of each arm rest.
- D—Overall Height is measured from top of back panel to the floor.
- E—Seat Depth is taken from where seat cushion meets bottom back panel cushion to front of seat panel.

Dimensions



Size	A	B	C	D	E
Classic	35"	16"	33 1/2"	31 1/2"	21 1/4"
Tall	37 3/4"	16 1/2"	33 1/2"	33 1/4"	23 1/4"

Specification Information

Step 1.

ES670 A

Step 2. Size

RE classic A

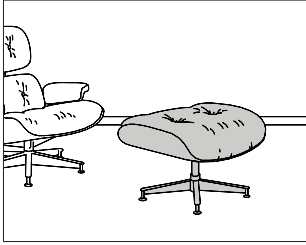
RET tall A

Prices for Steps 1-2.

ES670 RE	\$4569
RET	\$4771

Step 3. Material

Price Category 11	+\$651
Price Category L	+\$1000



Product Information

Description

This ottoman has a molded veneer shell, foam cushion with leather upholstery, and black enameled base with polished aluminum accents.

Notes

Santos palisander veneer is celebrated for its unique grain and color variations. Similar products ordered in multiples or dissimilar products ordered separately should be expected to have variation in both grain and color characteristics.

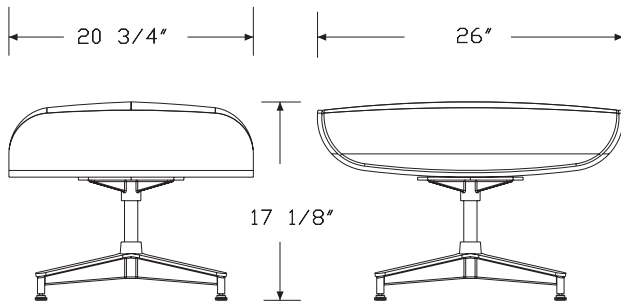
The Eames® Lounge is handcrafted and should be celebrated as such.

No two chairs are alike.

Dimensions should be noted as reference guides and can vary up to 3/4".

Customer's Own Leather (COL) requires 15 square feet. See Order Information in Appendices.

Dimensions



Specification Information

Step 1.

ES671 A \$1609

Step 2. Shell Finish

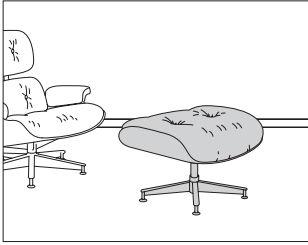
OU	walnut A	+\$0
9N	santos palisander A	+\$301
5Q	oiled walnut A	+\$335
5D	oiled santos palisander A	+\$621

Step 3. Material

See application chart and textiles list for fabric usage and numbers.

First 2 digits of number indicate fabric line; remaining digit(s) indicate fabric color.

Price Category 7 A	+\$107
Price Category 9	+\$164
Price Category (Geiger) 10	+\$208
Price Category 10M	+\$0
Price Category 11	+\$242
Price Category (Geiger) 11	+\$252
Price Category L	+\$400



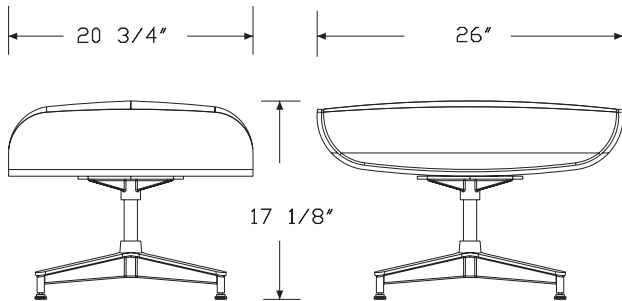
HermanMiller Collection—Lounge Seating

Product Information

Description
 This ottoman has a molded ebony ash veneer shell, foam cushion with black leather upholstery, and a black enamel base with aluminum accents.

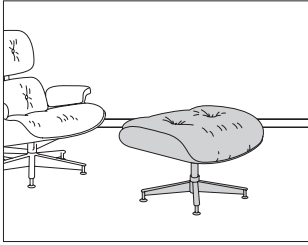
Notes
 The Eames® Lounge is handcrafted and should be celebrated as such.
 No two chairs are alike.
 Dimensions should be noted as reference guides and can vary up to 3/4".

Dimensions



Specification Information

Step 1.	
ES671EN [A]	\$1763
Step 2. Material	
Price Category 11	+\$242
Price Category L	+\$400



Product Information

Description

This ottoman has a molded plywood shell, foam cushion with white leather upholstery, and a white enamel base with aluminum accents.

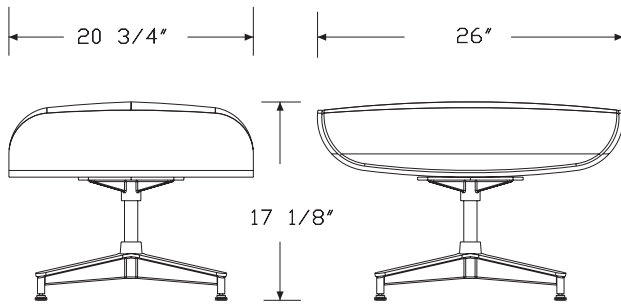
Notes

The Eames® Lounge is handcrafted and should be celebrated as such.

No two chairs are alike.

Dimensions should be noted as reference guides and can vary up to 3/4".

Dimensions



Specification Information

Step 1.

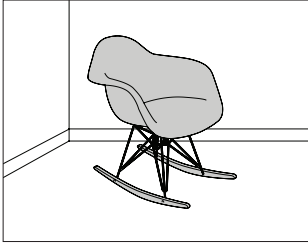
ES671RE A \$1763

Step 2. Material

Price Category 11 +\$242

Price Category L +\$400

Eames® Molded Plastic Armchair RAR.
Rocker Base

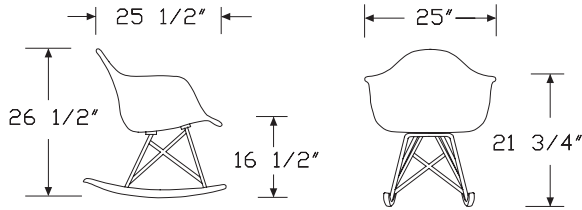


HermanMiller Collection—Lounge Seating

Product Information

Description
This chair has a single-piece molded seat and back with arms, waterfall edges, and chrome or black legs with solid-maple or walnut rockers.

Dimensions



Specification Information

Step 1.

RA

Step 2. Base Option

R. rocker base with nonupholstered shell

Prices for Steps 1-2.

RAR. \$666

Step 3. Base Finish

- 91** white A +\$0
- BK** black +\$0
- 47** trivalent chrome +\$20

Step 4. Rocker Finish

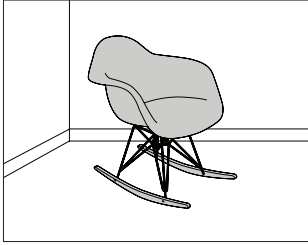
- UL** natural maple +\$0
- A2** white ash A +\$30
- OU** walnut +\$30

Step 5. Seat/Back Finish

- 4T** aqua sky +\$0
- 5B** java +\$0
- 9J** sparrow +\$0
- BLE** blue ice A +\$0
- BLH** blush A +\$0
- CHL** charcoal A +\$0
- KGR** kelly green A +\$0
- PBL** peacock blue A +\$0
- PYW** pale yellow A +\$0
- STN** stone A +\$0
- ZA** black +\$0
- ZE** red orange +\$0
- ZF** white +\$0
- ZM** alpine A +\$0

Eames® Upholstered Molded Plastic Armchair Rocker Base

RAR.

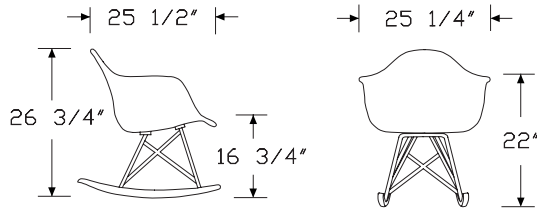


Product Information

Description

This chair has a single-piece molded plastic shell with waterfall edges and upholstered seat, back, and arms or an upholstered seat pad. Legs are chrome, black or white with solid maple, ash or walnut rockers.

Dimensions



Specification Information

Step 1.

RA

Step 2. Base and Upholstery Option

R. rocker base

Step 3. Upholstery

U fully upholstered shell

P upholstered seat pad

Prices for Steps 1-3.

RAR. U	\$830
P	\$790

Step 4. Base Finish

91 white	+\$0
BK black	+\$0
47 trivalent chrome	+\$20

Step 5. Rocker Finish

UL natural maple <input type="checkbox"/>	+\$0
A2 white ash <input type="checkbox"/>	+\$30
OU walnut <input type="checkbox"/>	+\$30

Step 6. Back Finish

4T aqua sky <input type="checkbox"/>	+\$0
5B java <input type="checkbox"/>	+\$0
9J sparrow <input type="checkbox"/>	+\$0
ZA black <input type="checkbox"/>	+\$0
ZE red orange <input type="checkbox"/>	+\$0
ZF white <input type="checkbox"/>	+\$0
ZM alpine <input type="checkbox"/>	+\$0
PYW pale yellow <input type="checkbox"/>	+\$0
BLE blue ice <input type="checkbox"/>	+\$0
BLH blush <input type="checkbox"/>	+\$0
PBL peacock blue <input type="checkbox"/>	+\$0
STN stone <input type="checkbox"/>	+\$0
KGR kelly green <input type="checkbox"/>	+\$0
CHL charcoal <input type="checkbox"/>	+\$0

Step 7. Edge Finish

For fully upholstered shell (U)

111 parchment <input type="checkbox"/>	+\$0
BK black <input type="checkbox"/>	+\$0
ZF white <input type="checkbox"/>	+\$0

Eames® Upholstered Molded Plastic Armchair Rocker Base

continued

HermanMiller Collection—Lounge Seating

Step 8. Fabric

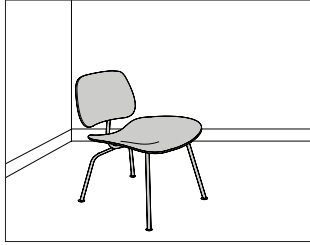
For fully upholstered shell (U)

Price Category 2	+\$35
Price Category 5	+\$59
Price Category B	+\$0
Price Category G	+\$0
Price Category H	+\$212
Price Category K	+\$380

For upholstered seat pad (P)

Price Category 1	+\$0
Price Category 2	+\$25
Price Category 4	+\$33
Price Category 5	+\$59
Price Category 9	+\$209
Price Category 11	+\$254
Price Category G	+\$170
Price Category H	+\$210
Price Category K	+\$380

Eames® Molded Plywood Lounge Chair Metal Base LCM.



Product Information

Description

This 26½"-high molded plywood chair has natural face veneers, hardwood inner plies, and a 5-ply seat and back. It has a polished chrome-plated 4-leg base and self-leveling nylon glides. When upholstered, the back and seat shells have exposed veneer on their backside.

Notes

Red stain (11) shell finish is on birch veneer. This stain allows the wood grain to show through; inner plies are visible. Natural variations in wood grain may affect the appearance of this stain color.

Ebony (EN) shell finish is stain on ash veneer; inner plies are not as visible.

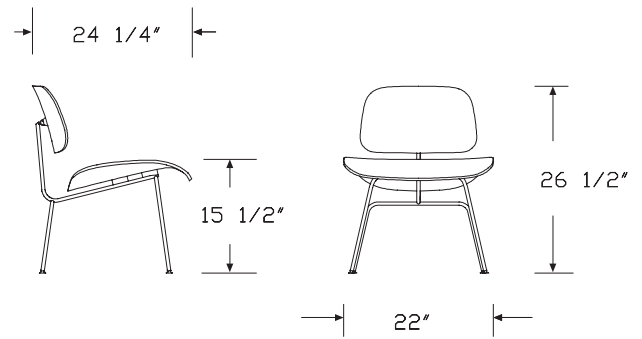
Santos palisander veneer is celebrated for its unique grain and color variations. Similar products ordered in multiples or dissimilar products ordered separately should be expected to have variation in both grain and color characteristics; no two products will look exactly alike.

Black (BK) base finish has black glides. Trivalent chrome (47) base finish has white glides.

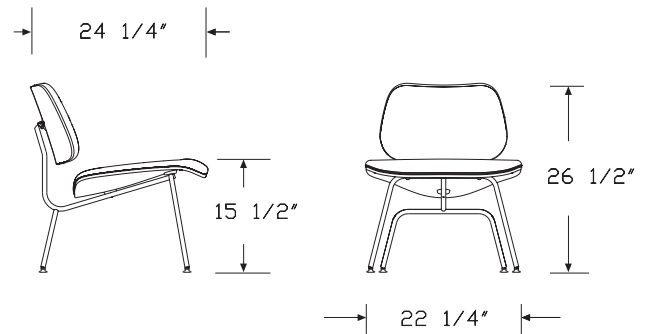
Avoid placement in direct sunlight.

Customer's Own Material (COM) requires 1 yard. Customer's Own Leather (COL), requires 24 square feet. See COM Information in Appendices for additional information.

Dimensions



nonupholstered



upholstered

Eames® Molded Plywood Lounge Chair Metal Base *continued*

HermanMiller Collection—Lounge Seating

Specification Information

Step 1.

LC A

Step 2. Upholstery

M. nonupholstered shell A

M.U upholstered shell A

Prices for Steps 1-2.

LCM. \$811

LCM.U \$1284

Step 3. Base Finish

BK black A +\$0

47 trivalent chrome A +\$20

Step 4. Shell Finish

Wood Veneer

OU walnut A +\$0

11 red stain A +\$115

A2 white ash A +\$115

EN ebony A +\$115

9N santos palisander A +\$285

Step 5. Fabric

For upholstered shell (M.U)

Price Category 1 +\$0

Price Category 2 +\$29

Price Category 3 +\$55

Price Category (Geiger) 3 +\$55

Price Category 4 +\$83

Price Category (Geiger) 4 +\$83

Price Category 5 +\$98

Price Category (Geiger) 5 +\$87

Price Category 6 +\$110

Price Category 7 +\$175

Price Category (Geiger) 7 +\$175

Price Category 8 +\$229

Price Category 9 +\$390

Price Category 10 +\$465

Price Category (Geiger) 10 +\$465

Price Category 11 +\$560

Price Category 14 +\$605

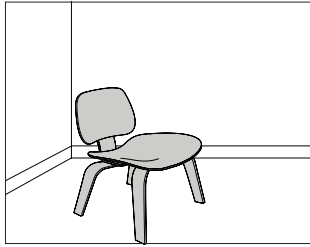
Price Category 10M +\$477

Price Category C +\$0

Price Category D +\$59

Price Category E	+\$71
Price Category F	+\$92
Price Category G	+\$119
Price Category H	+\$145
Price Category I	+\$170
Price Category J	+\$196
Price Category K	+\$221
Price Category L	+\$247
Price Category M	+\$272
Price Category N	+\$298
Price Category O	+\$323
Price Category P	+\$349
Price Category Q	+\$375
Price Category R	+\$711

Eames® Molded Plywood Lounge Chair Wood Base LCW.



Product Information

Description

This 26½"-high molded plywood chair has natural face veneers, hardwood inner plies, a 5-ply seat and back, and 8-ply legs. When upholstered, the back and seat shells have exposed veneer on their backside.

Notes

Red stain (11) shell finish is on birch veneer. This stain allows the wood grain to show through; inner plies are visible. Natural variations in wood grain may affect the appearance of this stain color.

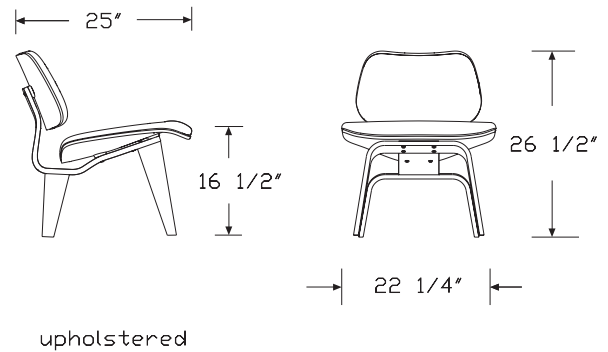
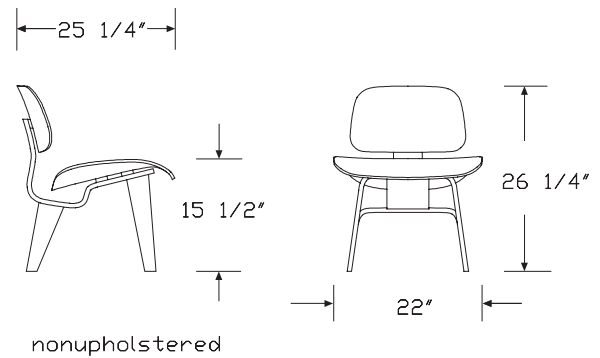
Ebony (EN) shell finish is stain on ash veneer; inner plies are not as visible.

Santos palisander veneer is celebrated for its unique grain and color variations. Similar products ordered in multiples or dissimilar products ordered separately should be expected to have variation in both grain and color characteristics; no two products will look exactly alike.

Avoid placement in direct sunlight.

Customer's Own Material (COM) requires 1 yard. Customer's Own Leather (COL), requires 24 square feet. See COM Information in Appendices for additional information.

Dimensions

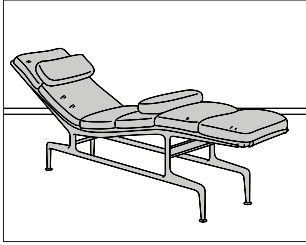


Eames® Molded Plywood Lounge Chair Wood Base *continued*

HermanMiller Collection—Lounge Seating

Specification Information	
Step 1.	
LC	<input type="checkbox"/> A
Step 2. Upholstery	
W.	nonupholstered shell <input type="checkbox"/> A
W.U	upholstered shell <input type="checkbox"/> A
Prices for Steps 1-2.	
LCW.	\$1071
LCW.U	\$1513
Step 3. Finish	
OU	walnut <input type="checkbox"/> A +\$0
11	red stain <input type="checkbox"/> A +\$154
A2	white ash <input type="checkbox"/> A +\$154
EN	ebony <input type="checkbox"/> A +\$154
9N	santos palisander <input type="checkbox"/> A +\$575

Step 4. Fabric	
<i>For upholstered shell (W.U)</i>	
Price Category 1	+\$0
Price Category 2	+\$29
Price Category 3	+\$55
Price Category 4	+\$83
Price Category (Geiger) 4	+\$83
Price Category 5	+\$98
Price Category (Geiger) 5	+\$87
Price Category 6	+\$110
Price Category 7	+\$175
Price Category (Geiger) 7	+\$175
Price Category 8	+\$229
Price Category 9	+\$390
Price Category 10	+\$465
Price Category (Geiger) 10	+\$465
Price Category 11	+\$560
Price Category 14	+\$605
Price Category 10M	+\$0
Price Category C	+\$46
Price Category D	+\$59
Price Category E	+\$71
Price Category F	+\$92
Price Category G	+\$119
Price Category H	+\$145
Price Category I	+\$170
Price Category J	+\$196
Price Category K	+\$221
Price Category L	+\$247
Price Category M	+\$272
Price Category N	+\$298
Price Category O	+\$323
Price Category P	+\$349
Price Category Q	+\$375
Price Category R	+\$711



Product Information

Description

This chaise has 6 2"-thick foam cushions with leather upholstery supported by a fabric sling. It has nylon glides and includes 2 loose cushions.

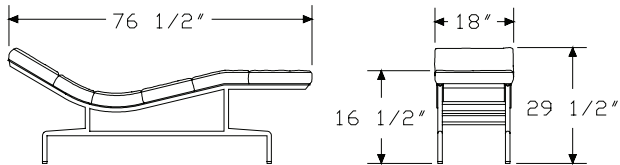
Notes

COL requires 65 square feet.

When pearl MCL leather (1R01) is specified, the fabric sling will be white.

When black MCL leather (1R10) is specified, the fabric sling will be black.

Dimensions



Specification Information

Step 1.

ES106 A \$5989

Step 2. Frame Finish

91 white A +\$450

EP eggplant A +\$450

G2 graphite satin A +\$450

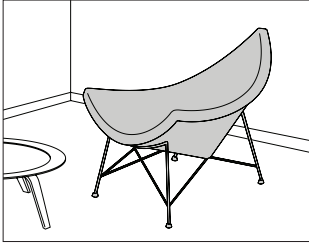
Step 3. Leather

See application chart and textiles list for fabric usage and numbers.

First 2 digits of number indicate fabric line; remaining digit(s) indicate fabric color.

Price Category 11 +\$1151

Nelson™ Coconut Lounge Chair 5569.

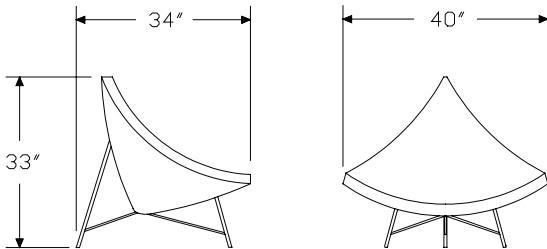


Product Information

Description

This chair has a 1-piece foam cushion upholstered in black leather, a white molded plastic shell, and a polished chrome base.

Dimensions

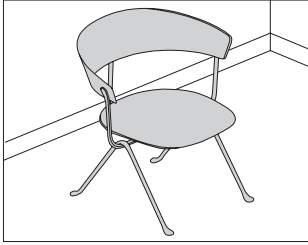


Specification Information

Step 1.

5569. A

\$8706

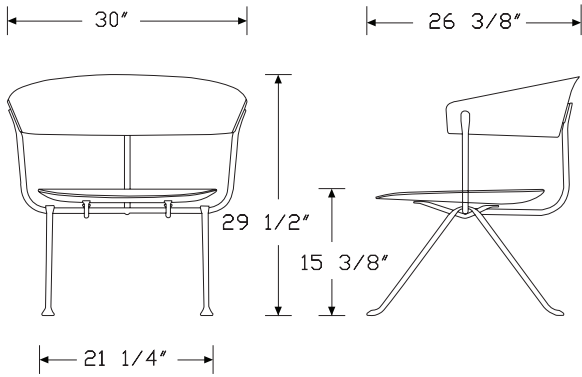
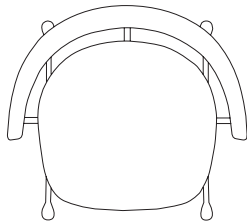


Product Information

Description

This chair has a wrought iron frame available in galvanized or painted black finish. Seat and back are available in plywood, fabric upholstery or leather. Chairs sold individually. Ships assembled.

Dimensions



Specification Information

Step 1.

SD220X

Step 2. Seat & Back

W plywood

F fabric upholstery

L leather upholstery

Prices for Steps 1-2.

SD220X W	\$1495
F	\$1995
L	\$2595

Step 3. Frame Finish

GLV galvanized <input type="checkbox"/>	+\$0
YCB black <input type="checkbox"/>	+\$0

Step 4. Seat & Back Finish

For plywood (W)

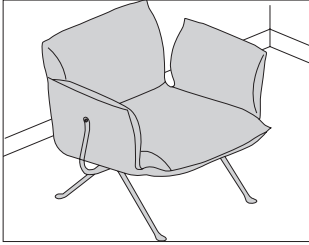
YNC natural beech <input type="checkbox"/>	+\$0
YNM black beech <input type="checkbox"/>	+\$0

For fabric upholstery (F)

Price Category H	+\$0
Price Category G	+\$0

For leather upholstery (L)

YNL natural <input type="checkbox"/>	+\$0
BLK black <input type="checkbox"/>	+\$0

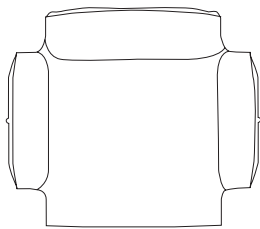


HermanMiller Collection—Lounge Seating

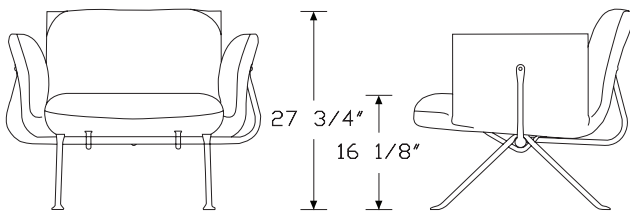
Product Information

Description
 This armchair has a wrought iron frame available in galvanized or painted black finish. Seat and back are upholstered. Ships assembled.

Dimensions

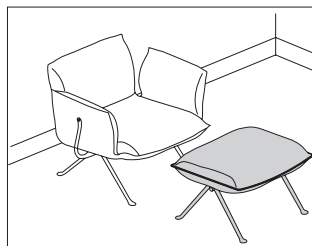


← 35 1/4" → ← 30 3/8" →



Specification Information

Step 1.		
SD223X	<input type="checkbox"/> A	\$2695
Step 2. Frame Finish		
GLV	galvanized <input type="checkbox"/> A	+\$0
YCB	black <input type="checkbox"/> A	+\$0
Step 3. Upholstery		
YLQ	Glamour Azimut Velvet Yellow <input type="checkbox"/> A	+\$100
YLR	Torri Lana, AT1 Rico Dark Blue <input type="checkbox"/> A	+\$0
YLS	Divina Melange 120 <input type="checkbox"/> A	+\$300

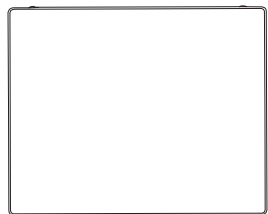


Product Information

Description

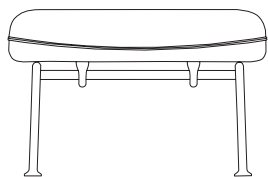
This ottoman has a wrought iron frame available in galvanized or painted black finish. Ships assembled.

Dimensions

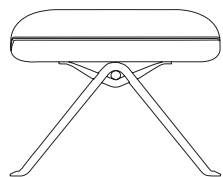


24 1/4"

19 7/8"



15 3/4"



Specification Information

Step 1.

SD226X A \$1275

Step 2. Frame Finish

GLV galvanized A +\$0

YCB black A +\$0

Step 3. Upholstery

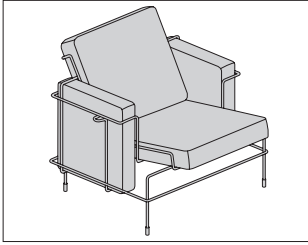
YLQ Glamour Azimut Velvet Yellow A +\$50

YLR Torri Lana, AT1 Rico Dark Blue A +\$0

YLS Divina Melange 120 A +\$120

Traffic Armchair Upholstered

XXSD2



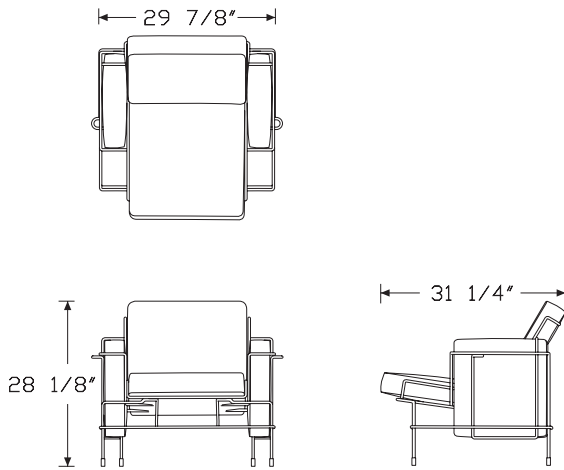
HermanMiller Collection—Lounge Seating

Product Information

Description

This armchair has a painted steel rod frame and upholstered cushions with removable covers.

Dimensions



Specification Information

Step 1.

XXSD2700 A \$3336

Step 2. Frame Finish

5011	white	A	+\$0
5013	black	A	+\$0
5016	sepia brown	A	+\$0
5017	green blue	A	+\$0
5019	signal red	A	+\$0
5021	dark green	A	+\$0

Step 3. Seat Fabric

For white (5011)

F-088	orange	A	+\$0
F-222	light blue	A	+\$0
F-266	beige	A	+\$0
F-354	green	A	+\$0
F-578	yellow	A	+\$0
F-741	light grey	A	+\$0

For black (5013)

F-521	dark brown	A	+\$0
--------------	------------	---	------

For sepia brown (5016)

F-578	yellow	A	+\$0
--------------	--------	---	------

For green blue (5017)

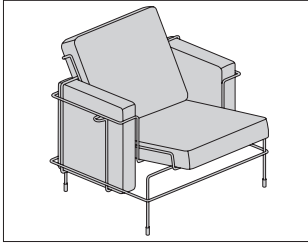
F-222	light blue	A	+\$0
--------------	------------	---	------

For signal red (5019)

F-088	orange	A	+\$0
--------------	--------	---	------

For dark green (5021)

F-354	green	A	+\$0
--------------	-------	---	------

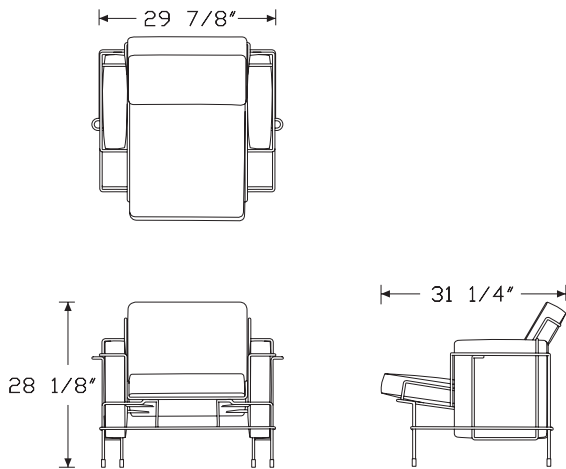


Product Information

Description

This armchair has a painted steel rod frame and upholstered cushions with removable covers.

Dimensions



Specification Information

Step 1.

XXSD2704 A \$5511

Step 2. Frame Finish

5011 white A +\$0
5013 black A +\$0
5016 sepia brown A +\$0
5021 dark green A +\$0

Step 3. Seat Fabric

For white (5011)

L-0111 brown l A +\$0
L-0706 cream white l A +\$0

For black (5013)

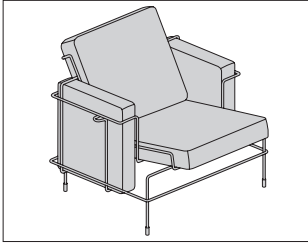
L-0060 anthracite grey l A +\$0

For dark green (5021)

L-0111 brown l A +\$0
L-0752 dark brown l A +\$0

Traffic Armchair Upholstered
(Suitable for Outdoor Use)

XXSD2

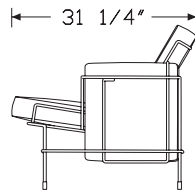
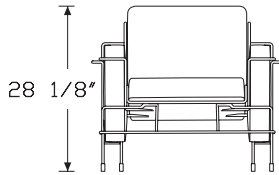
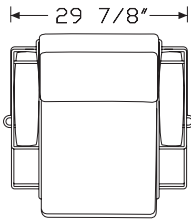


HermanMiller Collection—Lounge Seating

Product Information

Description
This armchair has a painted steel rod frame and upholstered cushions with removable covers. Suitable for outdoor use.

Dimensions



Specification Information

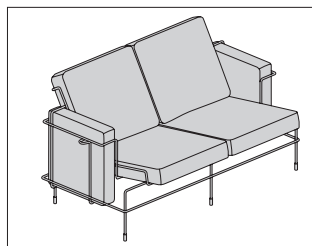
Step 1.
XXSD2701 A \$3773

Step 2. Frame Finish
5011 white A +\$0

Step 3. Seat Fabric
F-227 turquoise A +\$0
F-257 blue A +\$0
F-737 white A +\$0
F-769 black A +\$0

Traffic Two-Seater Sofa Upholstered

XXSD2

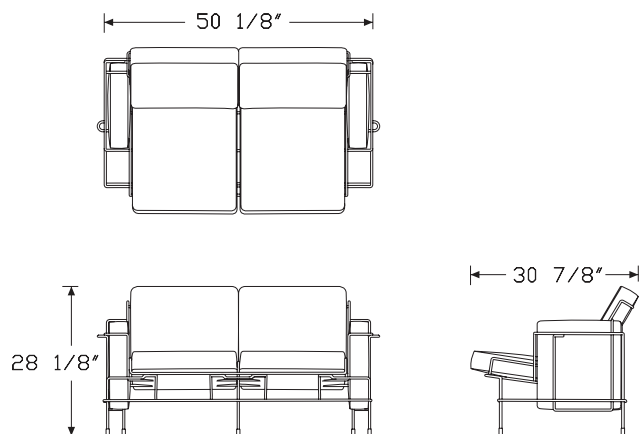


Product Information

Description

This sofa has a painted steel rod frame and upholstered cushions with removable covers.

Dimensions



Specification Information

Step 1.

XXSD2710 A \$519

Step 2. Frame Finish

5011	white	<input type="checkbox"/> A	+\$0
5013	black	<input type="checkbox"/> A	+\$0
5016	sepia brown	<input type="checkbox"/> A	+\$0
5017	green blue	<input type="checkbox"/> A	+\$0
5019	signal red	<input type="checkbox"/> A	+\$0
5021	dark green	<input type="checkbox"/> A	+\$0

Step 3. Seat Fabric

For white (5011)

F-088	orange	<input type="checkbox"/> A	+\$0
F-222	light blue	<input type="checkbox"/> A	+\$0
F-266	beige	<input type="checkbox"/> A	+\$0
F-354	green	<input type="checkbox"/> A	+\$0
F-578	yellow	<input type="checkbox"/> A	+\$0
F-741	light grey	<input type="checkbox"/> A	+\$0

For black (5013)

F-521	dark brown	<input type="checkbox"/> A	+\$0
--------------	------------	----------------------------	------

For sepia brown (5016)

F-578	yellow	<input type="checkbox"/> A	+\$0
--------------	--------	----------------------------	------

For green blue (5017)

F-222	light blue	<input type="checkbox"/> A	+\$0
--------------	------------	----------------------------	------

For signal red (5019)

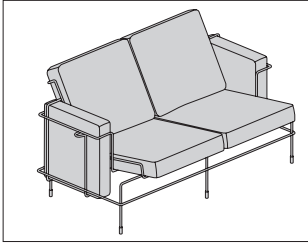
F-088	orange	<input type="checkbox"/> A	+\$0
--------------	--------	----------------------------	------

For dark green (5021)

F-354	green	<input type="checkbox"/> A	+\$0
--------------	-------	----------------------------	------

Traffic Two-Seater Sofa
 Upholstered (Suitable for Outdoor
 Use)

XXSD2

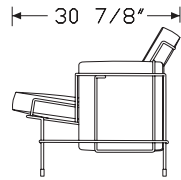
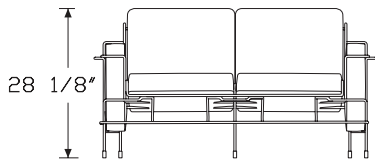
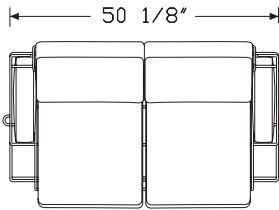


HermanMiller Collection—Lounge Seating

Product Information

Description
 This sofa has a painted steel rod frame and upholstered cushions with removable covers. Suitable for outdoor use.

Dimensions



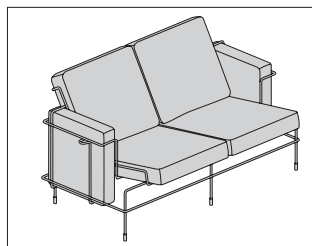
Specification Information

Step 1.
XXSD2711 A \$5785

Step 2. Frame Finish
5011 white A +\$0

Step 3. Seat Fabric
F-227 turquoise A +\$0
F-257 blue A +\$0
F-737 white A +\$0
F-769 black A +\$0

Traffic Two-Seater Sofa Leather XXSD2

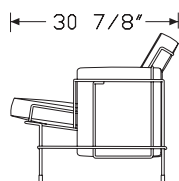
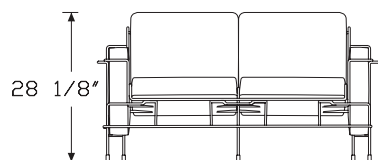
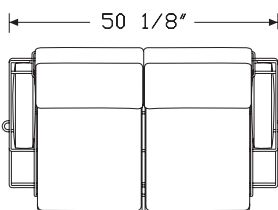


Product Information

Description

This sofa has a painted steel rod frame and upholstered cushions with removable covers.

Dimensions



Specification Information

Step 1.

XXSD2714 **A** \$7837

Step 2. Frame Finish

5011 white **A** +\$0
5013 black **A** +\$0
5016 sepia brown **A** +\$0
5021 dark green **A** +\$0

Step 3. Seat Fabric

For white (5011)

L-0111 brown l **A** +\$0
L-0706 cream white l **A** +\$0

For black (5013)

L-0060 anthracite grey l **A** +\$0

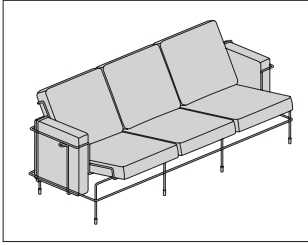
For dark green (5021)

L-0111 brown l **A** +\$0
L-0752 dark brown l **A** +\$0

HermanMiller Collection—Lounge Seating

Traffic Three-Seater Sofa
Upholstered

XXSD2



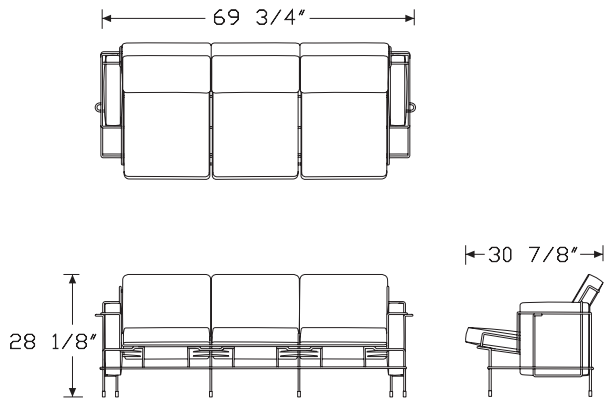
HermanMiller Collection—Lounge Seating

Product Information

Description

This sofa has a painted steel rod frame and upholstered cushions with removable covers.

Dimensions



Specification Information

Step 1.

XXSD2715 A \$6279

Step 2. Frame Finish

5011	white	A	+ \$0
5013	black	A	+ \$0
5016	sepia brown	A	+ \$0
5017	green blue	A	+ \$0
5019	signal red	A	+ \$0
5021	dark green	A	+ \$0

Step 3. Seat Fabric

For white (5011)

F-088	orange	A	+ \$0
F-222	light blue	A	+ \$0
F-266	beige	A	+ \$0
F-354	green	A	+ \$0
F-578	yellow	A	+ \$0
F-741	light grey	A	+ \$0

For black (5013)

F-521	dark brown	A	+ \$0
--------------	------------	---	-------

For sepia brown (5016)

F-578	yellow	A	+ \$0
--------------	--------	---	-------

For green blue (5017)

F-222	light blue	A	+ \$0
--------------	------------	---	-------

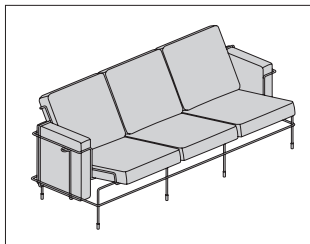
For signal red (5019)

F-088	orange	A	+ \$0
--------------	--------	---	-------

For dark green (5021)

F-354	green	A	+ \$0
--------------	-------	---	-------

Traffic Three-Seater Sofa XXSD2
 Upholstered (Suitable for Outdoor Use)

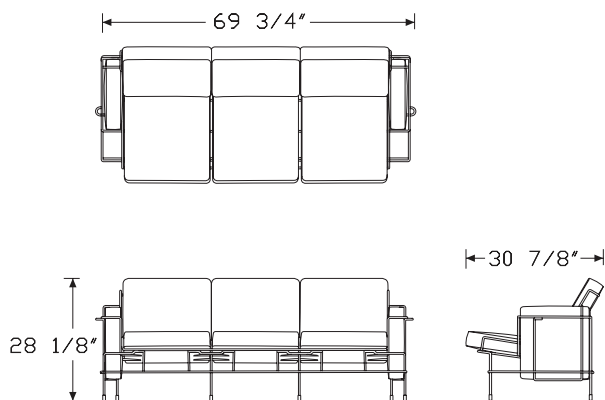


Product Information

Description

This sofa has a painted steel rod frame and upholstered cushions with removable covers. Suitable for outdoor use.

Dimensions



Specification Information

Step 1.

XXSD2716 A \$6939

Step 2. Frame Finish

5011 white A +\$0

Step 3. Seat Fabric

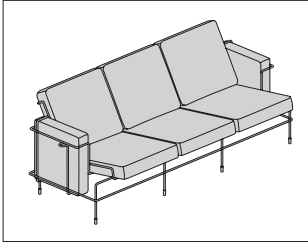
F-227 turquoise A +\$0

F-257 blue A +\$0

F-737 white A +\$0

F-769 black A +\$0

Traffic Three-Seater Sofa Leather XXSD2

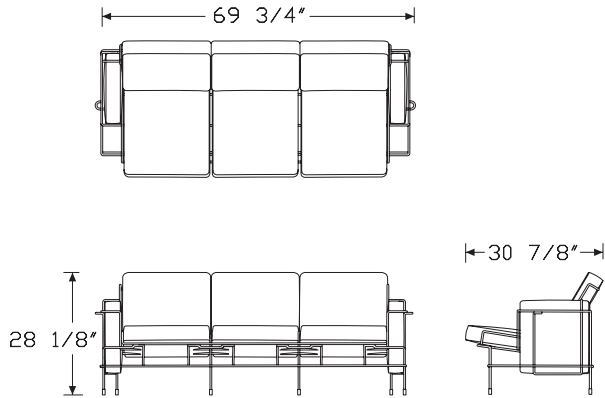


HermanMiller Collection—Lounge Seating

Product Information

Description
 This sofa has a painted steel rod frame and upholstered cushions with removable covers.

Dimensions



Specification Information

Step 1.
XXSD2718 [A] \$9327

Step 2. Frame Finish

5011	white	[A]	+\$0
5013	black	[A]	+\$0
5016	sepia brown	[A]	+\$0
5021	dark green	[A]	+\$0

Step 3. Seat Fabric

For white (5011)

L-0111	brown	[A]	+\$0
L-0706	cream white	[A]	+\$0

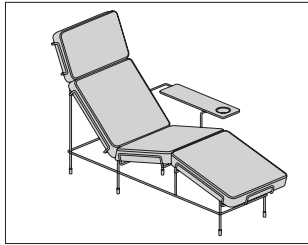
For black (5013)

L-0060	anthracite grey	[A]	+\$0
---------------	-----------------	-----	------

For dark green (5021)

L-0111	brown	[A]	+\$0
L-0752	dark brown	[A]	+\$0

Traffic Chaise Lounge Upholstered XXSD2

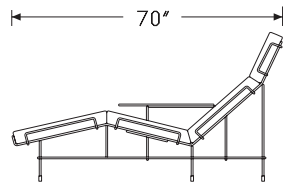
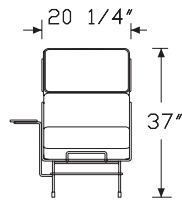
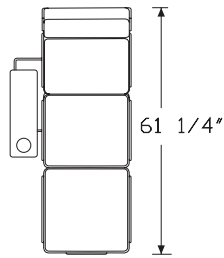


Product Information

Description

This chaise lounge has a painted steel rod frame and upholstered cushions with removable covers.

Dimensions



Specification Information

Step 1.

XXSD2720 A \$3931

Step 2. Frame Finish

5011	white	<input type="checkbox"/> A	+\$0
5013	black	<input type="checkbox"/> A	+\$0
5016	sepia brown	<input type="checkbox"/> A	+\$0
5017	green blue	<input type="checkbox"/> A	+\$0
5019	signal red	<input type="checkbox"/> A	+\$0
5021	dark green	<input type="checkbox"/> A	+\$0

Step 3. Seat Fabric

For white (5011)

F-088	orange	<input type="checkbox"/> A	+\$0
F-222	light blue	<input type="checkbox"/> A	+\$0
F-266	beige	<input type="checkbox"/> A	+\$0
F-354	green	<input type="checkbox"/> A	+\$0
F-578	yellow	<input type="checkbox"/> A	+\$0
F-741	light grey	<input type="checkbox"/> A	+\$0

For black (5013)

F-521	dark brown	<input type="checkbox"/> A	+\$0
--------------	------------	----------------------------	------

For sepia brown (5016)

F-578	yellow	<input type="checkbox"/> A	+\$0
--------------	--------	----------------------------	------

For green blue (5017)

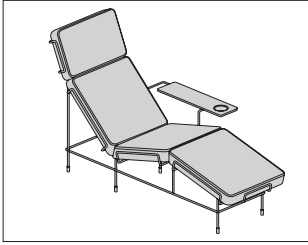
F-222	light blue	<input type="checkbox"/> A	+\$0
--------------	------------	----------------------------	------

For signal red (5019)

F-088	orange	<input type="checkbox"/> A	+\$0
--------------	--------	----------------------------	------

For dark green (5021)

F-354	green	<input type="checkbox"/> A	+\$0
--------------	-------	----------------------------	------



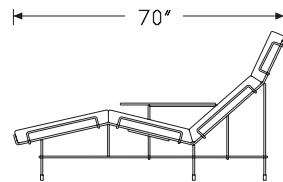
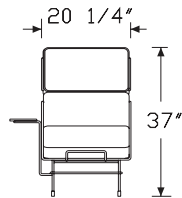
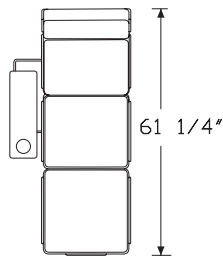
HermanMiller Collection—Lounge Seating

Product Information

Description

This chaise lounge has a painted steel rod frame and upholstered cushions with removable covers.

Dimensions



Specification Information

Step 1.

XXSD2724 A \$6106

Step 2. Frame Finish

- 5011** white A + \$0
- 5013** black A + \$0
- 5016** sepia brown A + \$0
- 5021** dark green A + \$0

Step 3. Seat Fabric

For white (5011)

- L-0111** brown I A + \$0
- L-0706** cream white I A + \$0

For black (5013)

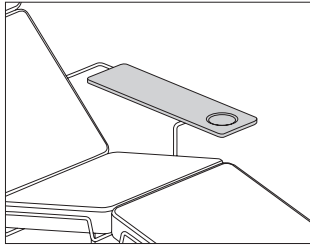
- L-0060** anthracite grey I A + \$0

For dark green (5021)

- L-0111** brown I A + \$0
- L-0752** dark brown I A + \$0

Traffic Tablet in Acrylic Stone

XXSD2

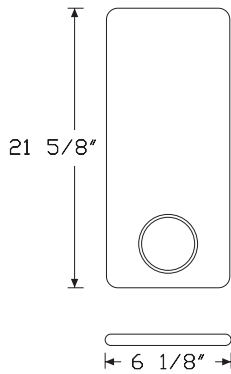


Product Information

Description

This tablet is constructed of acrylic stone and may be used with a Traffic armchair, sofa or platform bench. Top is 12mm thick. Frame purchased separately.

Dimensions



Specification Information

Step 1.

XXSD2760 [A] \$209

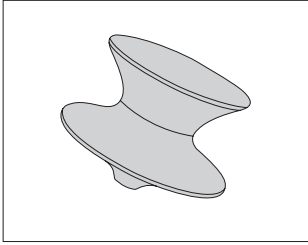
Step 2. Stone Top

WH white [A] +\$0

AG anthracite grey [A] +\$0

Spun Rotating Chair

MGN00.

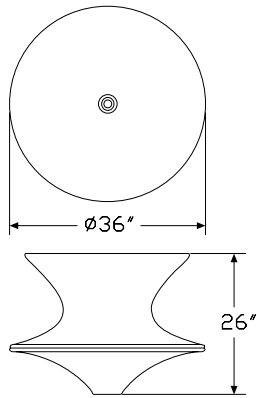


Product Information

Description

This rotating low chair is made from polyethylene and is suitable for outdoor use.

Dimensions



Specification Information

Step 1.

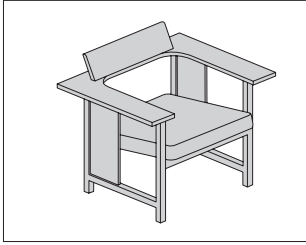
MGN00. \$825

Step 2. Finish

YLB	dark purple <input type="checkbox"/>	+\$0
YLD	red <input type="checkbox"/>	+\$0
YLG	white <input type="checkbox"/>	+\$0
YLH	grey anthracite <input type="checkbox"/>	+\$0

Clerici Armchair

MGCL00

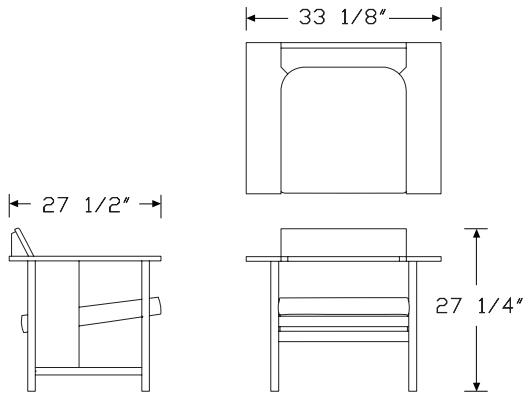


Product Information

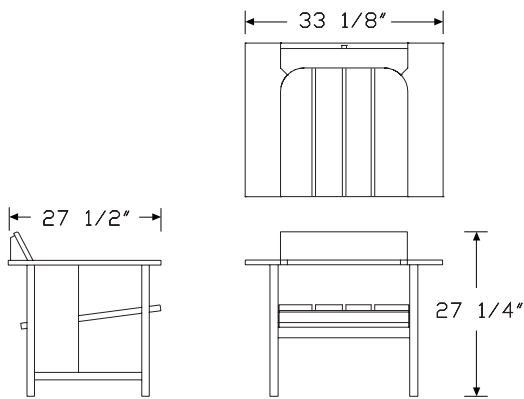
Description

This solid wood armchair has an ash, iroko, or oak frame with the option of an upholstered seat. The seat on the iroko option has slats instead of a solid seat surface.

Dimensions



with cushion



Iroko option without cushion

Specification Information

Step 1.

MGCL0

Step 2. Upholstery

0. nonupholstered

0.U upholstered

Prices for Steps 1-2.

MGCL00.	\$1400
MGCL00.U	\$2330

Step 3. Frame

For nonupholstered (o.)

YSA ash <input type="checkbox"/>	+\$0
RKW iroko <input type="checkbox"/>	+\$125
YFC oak <input type="checkbox"/>	+\$250

For upholstered (o,U)

YFC oak <input type="checkbox"/>	+\$250
---	--------

Step 4. Finish

For ash (YSA)

YMP grey <input type="checkbox"/>	+\$0
YRL red <input type="checkbox"/>	+\$0
YNL natural <input type="checkbox"/>	+\$0

For oak (YFC) or iroko (RKW)

YNL natural <input type="checkbox"/>	+\$0
---	------

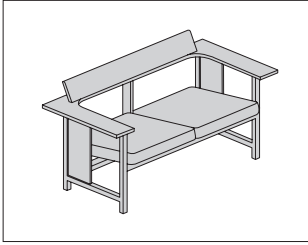
Step 5. Leather

For oak (YFC)

YLJ cuoio leather <input type="checkbox"/>	+\$0
YLK marrone leather <input type="checkbox"/>	+\$0

Clerici Two Seat Bench

MGCL02



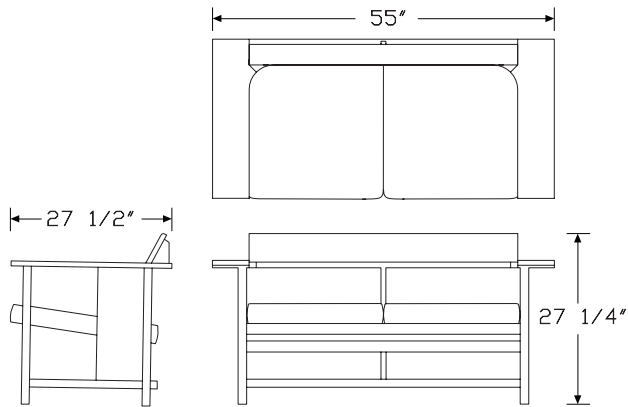
HermanMiller Collection—Lounge Seating

Product Information

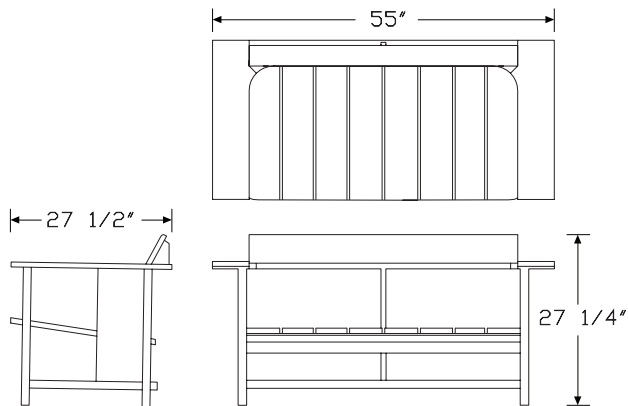
Description

This solid wood 2-seat bench has an ash, iroko, or oak frame with the option of an upholstered seat. The seat on the iroko option has slats instead of a solid seat surface.

Dimensions



with cushion



Iroko option without cushion

Specification Information

Step 1.

MGCL0 A

Step 2. Upholstery

2. two seat bench, nonupholstered A

2.U two seat bench, upholstered A

Prices for Steps 1-2.

MGCL02.	\$2466
MGCL02.U	\$4430

Step 3. Frame

For two seat bench, nonupholstered (2.)

YSA ash <input type="checkbox"/> A	+\$0
YFC oak <input type="checkbox"/> A	+\$0
RKW iroko <input type="checkbox"/> A	+\$300

For two seat bench, upholstered (2.U)

YFC oak <input type="checkbox"/> A	+\$500
---	--------

Step 4. Finish

For ash (YSA)

YMP grey <input type="checkbox"/> A	+\$0
YRL red <input type="checkbox"/> A	+\$0
YNL natural <input type="checkbox"/> A	+\$0

For oak (YFC) or iroko (RKW)

YNL natural <input type="checkbox"/> A	+\$0
---	------

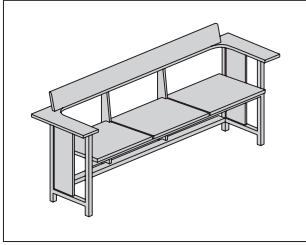
Step 5. Leather

For two seat bench, upholstered (2.U)

YLJ cuoio leather <input type="checkbox"/> A	+\$0
YLK marrone leather <input type="checkbox"/> A	+\$0

Clerici Three Seat Bench

MGCL03

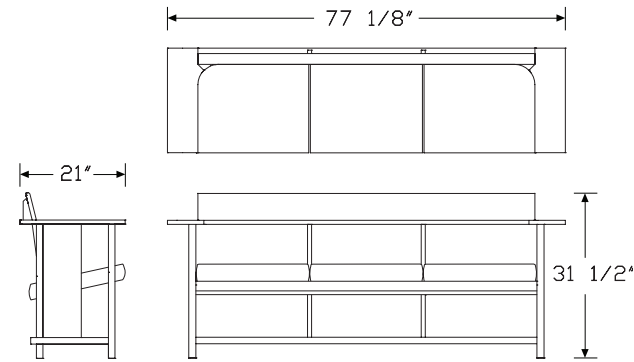


Product Information

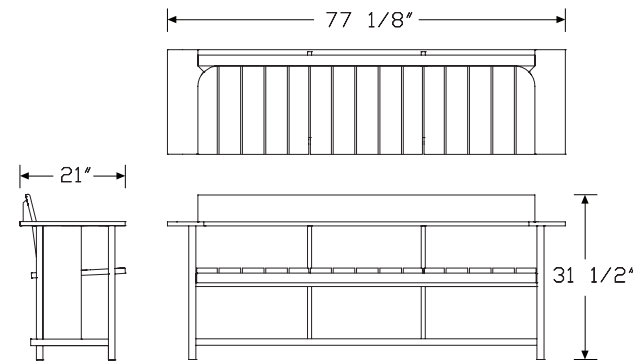
Description

This solid wood 3-seat bench has an ash, iroko, or oak frame. The seat on the iroko option has slats instead of a solid seat surface.

Dimensions



with cushion



Iroko option without cushion

Specification Information

Step 1.

MGCL03. [A] \$2525

Step 2. Frame

YSA ash [A] +\$0
YFC oak [A] +\$575
RKW iroko [A] +\$1600

Step 3. Finish

For ash (YSA)

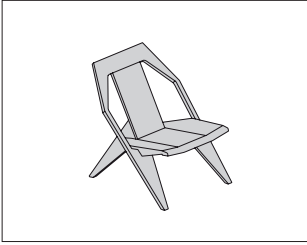
YMP grey [A] +\$0
YRL red [A] +\$0
YNL natural [A] +\$0

For oak (YFC) or iroko (RKW)

YNL natural [A] +\$0

Medici Chair

MGM00.



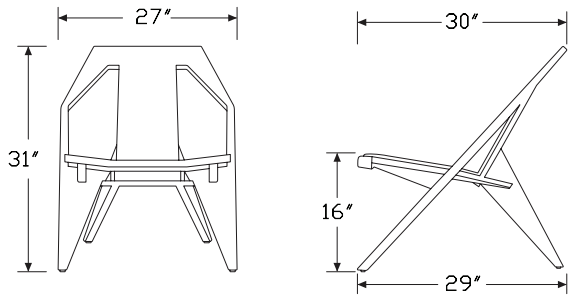
HermanMiller Collection—Lounge Seating

Product Information

Description

This solid wood chair with armrests is available in ash, walnut and Douglas fir.

Dimensions



Specification Information

Step 1.

MGM00. A

Step 3. Frame Finish

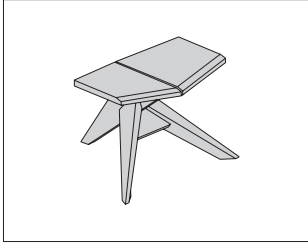
- ZQF** yellow anilin ash A
- ZQH** douglas fir natural waxed A
- ZQJ** grey anilin ash A
- ZPA** red anilin ash A
- ZPB** black anilin ash A
- ZQG** natural walnut waxed A

Prices for Steps 1-3.

MGM00.ZQF	\$1895
ZQH	\$1895
ZQJ	\$1895
ZPA	\$1895
ZPB	\$1895
ZQG	\$2500

Medici Ottoman

MGV20.

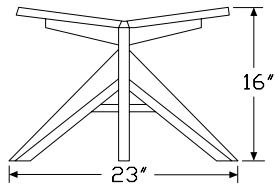
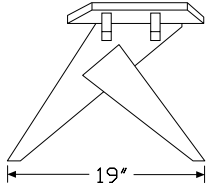


Product Information

Description

This solid wood stool is available in ash, walnut and Douglas fir.

Dimensions



Specification Information

Step 1.

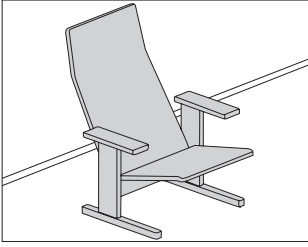
MGV20. A \$974

Step 2. Frame Finish

- ZQF** yellow anilin ash A +\$0
- ZQH** douglas fir natural waxed A +\$0
- ZQJ** grey anilin ash A +\$0
- ZPA** red anilin ash A +\$0
- ZPB** black anilin ash A +\$0
- ZQG** natural walnut waxed A +\$225

Quindici Lounge Chair

MC15L.

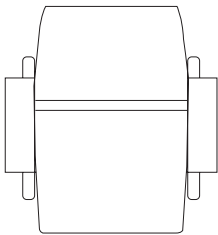


HermanMiller Collection—Lounge Seating

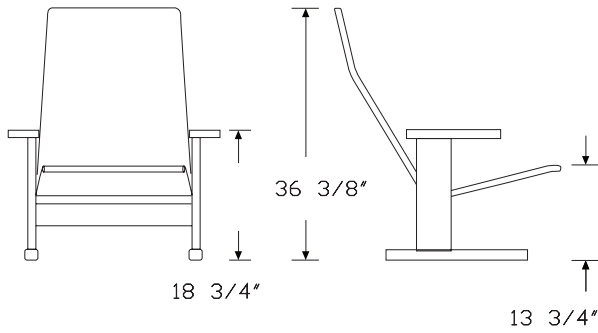
Product Information

Description
 This lounge chair is constructed of ash and comes in a choice of finishes and with or without upholstery. Ships assembled.

Dimensions



← 30 1/2" → ← 32" →



Specification Information

Step 1.

MC15L. A

Step 2. Upholstery

N no upholstery A

Prices for Steps 1-2.

MC15L. N \$2470

Step 3. Finish

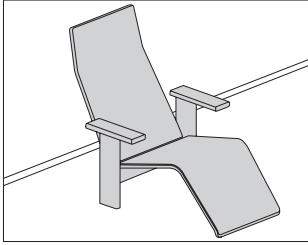
YQC natural ash A + \$0

YQB black anilin ash A + \$0

ZQJ grey anilin ash A + \$0

Quindici Chaise Longue

MC15CL

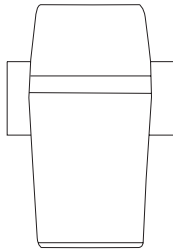


Product Information

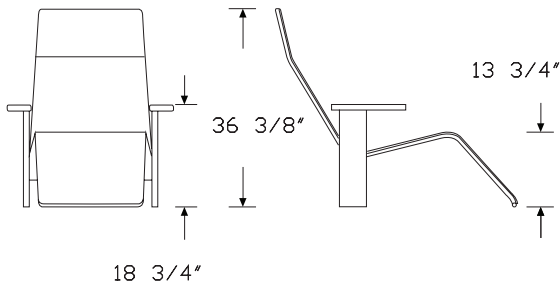
Description

This chaise longue is constructed of ash and comes in a choice of finishes and with or without upholstery. Ships assembled.

Dimensions



→ 30 1/2" ← ← 43 1/4" →



Specification Information

Step 1.

MC15CL. A

Step 2. Upholstery

N no upholstery A

Prices for Steps 1-2.

MC15CL. N \$2790

Step 3. Finish

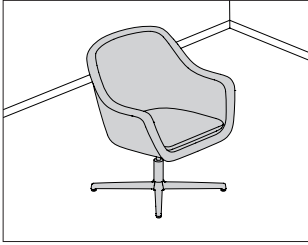
YQC natural ash A +\$0

YQB black anilin ash A +\$0

ZQJ grey anilin ash A +\$0

Bumper Lounge Chair

SBR4N



HermanMiller Collection—Lounge Seating

Product Information

Description

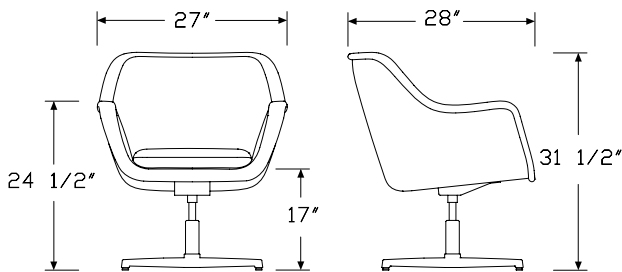
This lounge chair has upholstered inner and outer shells and arm cap, each made from one continuous piece of fabric or leather, and an upholstered seat cushion. The frame is rigid molded urethane with foam inserts, and seat and back are FR foam over rigid inserts. The 4-star, swivel-return base is polished cast aluminum with black glides.

Notes

Customers Own Material (COM) requires 2½ yards for the shell inside and outside, an additional 1¾ yards for the arm cap and cushion, or 4¼ yards when specify entire chair in the same fabric. See Order Information in Appendices.

Customers Own Leather (COL) requires 45 square feet for the shell inside and outside, an additional 31½ square feet for the arm cap and cushion, or 76½ yards when specify entire chair in the same leather. See Order Information in Appendices.

Dimensions



Specification Information

Step 1.

SBR4N A \$1900

Step 2. Shell Upholstery

Price Category 1	+\$0
Price Category 2	+\$118
Price Category (Geiger) 2	+\$118
Price Category (Geiger) 3	+\$148
Price Category 3	+\$148
Price Category (Geiger) 4	+\$180
Price Category 4	+\$180
Price Category (Geiger) 5	+\$263
Price Category 5	+\$263
Price Category (Geiger) 6	+\$345
Price Category (Geiger) 7	+\$428
Price Category (Geiger) 8	+\$655
Price Category 9	+\$813
Price Category (Geiger) 10	+\$935
Price Category (Geiger) 11	+\$1048
Price Category 11	+\$1048
Price Category (Geiger) C	+\$133
Price Category (Geiger) D	+\$175
Price Category (Geiger) E	+\$213
Price Category (Geiger) F	+\$255
Price Category (Geiger) G	+\$348
Price Category (Geiger) H	+\$433
Price Category (Geiger) I	+\$523
Price Category (Geiger) J	+\$613
Price Category (Geiger) K	+\$703
Price Category (Geiger) L	+\$793
Price Category (Geiger) M	+\$883
Price Category (Geiger) N	+\$973
Price Category (Geiger) O	+\$1063
Price Category (Geiger) P	+\$1150
Price Category (Geiger) Q	+\$1328
Price Category (Geiger) R	+\$1850
Price Category (Geiger) S	+\$1988
Price Category (Geiger) T	+\$2125
Price Category (Geiger) U	+\$2263
Price Category (Geiger) X	+\$2675
Price Category (Geiger) Y	+\$2813
Price Category (Geiger) COM A	+\$0
Price Category (Geiger) COL A	+\$306

Step 3. Arm Cap and Cushion Upholstery

Price Category 1 +\$0

Bumper Lounge Chair *continued*

Price Category 2	+\$82
Price Category (Geiger) 2	+\$82
Price Category (Geiger) 3	+\$103
Price Category 3	+\$103
Price Category (Geiger) 4	+\$126
Price Category 4	+\$126
Price Category (Geiger) 5	+\$184
Price Category 5	+\$184
Price Category (Geiger) 6	+\$242
Price Category (Geiger) 7	+\$299
Price Category (Geiger) 8	+\$459
Price Category 9	+\$569
Price Category (Geiger) 10	+\$655
Price Category (Geiger) 11	+\$733
Price Category 11	+\$733
Price Category (Geiger) C	+\$93
Price Category (Geiger) D	+\$123
Price Category (Geiger) E	+\$149
Price Category (Geiger) F	+\$179
Price Category (Geiger) G	+\$243
Price Category (Geiger) H	+\$303
Price Category (Geiger) I	+\$366
Price Category (Geiger) J	+\$429
Price Category (Geiger) K	+\$492
Price Category (Geiger) L	+\$555
Price Category (Geiger) M	+\$618
Price Category (Geiger) O	+\$744
Price Category (Geiger) P	+\$805
Price Category (Geiger) Q	+\$929
Price Category (Geiger) R	+\$1295
Price Category (Geiger) S	+\$1391
Price Category (Geiger) X	+\$1873
Price Category (Geiger) Y	+\$1969
Price Category (Geiger) COL <input type="checkbox"/> A	+\$95
Price Category (Geiger) COM <input type="checkbox"/> A	+\$0

Step 4. Base Finish

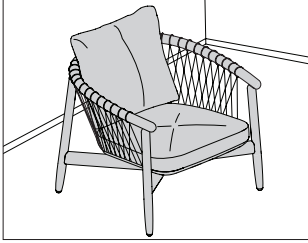
CD polished aluminum <input type="checkbox"/> A	+\$0
--	------

Step 5. Fire Retardancy

NOCAL not fire retardant <input type="checkbox"/> A	+\$0
133 fire retardant <input type="checkbox"/> A	+\$276

Crosshatch Lounge Chair

SES1A
SES1W



HermanMiller Collection—Lounge Seating

Product Information

Description

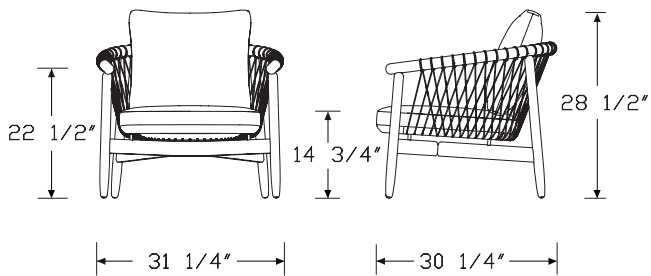
This lounge chair has a solid wood frame with cushions made of foam and DACRON®. Chair cord comes in several color options. Fire retardant chair meets CAL 133 requirements.

Notes

Cord color is specified separately from cushion color.

Customer's Own Material (COM) requires 1½ yards. Customer's Own Leather (COL) requires 27 square feet. See Order Information in Appendices.

Dimensions



Specification Information

Step 1.

SES1 A

Step 2. Frame Finish

A ash A

W walnut A

Prices for Steps 1-2.

SES1A	\$2615
SES1W	\$3110

Step 3. Wood Finish

RecoGrain Veneer

For ash (A)

66G	recoGrain wenge A	+\$0
68W	recoGrain walnut, flat cut, matte sheen A	+\$0
69G	recoGrain wenge A	+\$0
69W	recoGrain walnut, quarter cut, matte sheen A	+\$0

Recon Veneer -

For ash (A)

98W	recoGrain walnut, flat cut, low sheen A	+\$0
99G	recoGrain wenge, quarter cut, low sheen A	+\$0
99W	recoGrain walnut, quarter cut, low sheen A	+\$0

Low Sheen Finishes (on Ash)

For ash (A)

967	smoked paldao, low sheen A	+\$0
969	warm paldao, low sheen A	+\$0

Crosshatch Lounge Chair *continued*

Low Sheen Finishes (on Ash)

For ash (A)

G2U	light brown walnut, low sheen <input type="checkbox"/>	+\$0
G40	dark brown walnut, low sheen <input type="checkbox"/>	+\$0
940	sundance cherry on maple <input type="checkbox"/>	+\$0
943	caramel cherry <input type="checkbox"/>	+\$0
946	cocoa cherry <input type="checkbox"/>	+\$0
956	cocoa sapele <input type="checkbox"/>	+\$0
962	toasted walnut, low sheen <input type="checkbox"/>	+\$0
963	charred walnut, low sheen <input type="checkbox"/>	+\$0
964	bronzed walnut, low sheen <input type="checkbox"/>	+\$0
965	smoked walnut, low sheen <input type="checkbox"/>	+\$0
966	coffee walnut, low sheen <input type="checkbox"/>	+\$0
977	chocolate ash, low sheen <input type="checkbox"/>	+\$0
98R	recograin rosewood <input type="checkbox"/>	+\$0
991	champagne ash <input type="checkbox"/>	+\$0
998	ebony ash <input type="checkbox"/>	+\$0
99A	recograin frosty ash <input type="checkbox"/>	+\$0
99R	recograin rosewood <input type="checkbox"/>	+\$0
99T	recograin teak <input type="checkbox"/>	+\$0
9A1	white ash, quarter cut, low sheen <input type="checkbox"/>	+\$0
9K1	rift oak, rift cut, low sheen <input type="checkbox"/>	+\$0
9K6	burnt oak, rift cut, low sheen <input type="checkbox"/>	+\$0
ED	aged cherry <input type="checkbox"/>	+\$0
EK	medium red walnut <input type="checkbox"/>	+\$0
UX	walnut on cherry <input type="checkbox"/>	+\$0

Matte Sheen Finishes (on Ash)

For ash (A)

66A	recograin frosty ash <input type="checkbox"/>	+\$0
677	chocolate ash, matte sheen <input type="checkbox"/>	+\$0
68R	recograin rosewood <input type="checkbox"/>	+\$0
69A	recograin frosty ash <input type="checkbox"/>	+\$0
69R	recograin rosewood <input type="checkbox"/>	+\$0
69T	recograin teak <input type="checkbox"/>	+\$0
6A1	white ash <input type="checkbox"/>	+\$0
6K1	rift oak <input type="checkbox"/>	+\$0
6K6	burnt oak <input type="checkbox"/>	+\$0
ET	clear on ash <input type="checkbox"/>	+\$0
EU	oak on ash <input type="checkbox"/>	+\$0
EV	walnut on ash <input type="checkbox"/>	+\$0
GOU	natural walnut, flat cut, matte sheen <input type="checkbox"/>	+\$0

Anigre Veneer - Low Sheen

For walnut (W)

967	smoked paldao, low sheen <input type="checkbox"/>	+\$0
969	warm paldao, low sheen <input type="checkbox"/>	+\$0

Premium Veneer - Matte

For walnut (W)

667	smoked paldao, quarter cut, matte sheen <input type="checkbox"/>	+\$0
669	warm paldao, quarter cut, matte sheen <input type="checkbox"/>	+\$0
662	toasted walnut, matte sheen <input type="checkbox"/>	+\$0
663	charred walnut, matte sheen <input type="checkbox"/>	+\$0
664	bronzed walnut, matte sheen <input type="checkbox"/>	+\$0
665	smoked walnut, matte sheen <input type="checkbox"/>	+\$0
666	coffee walnut, matte sheen <input type="checkbox"/>	+\$0
68R	recograin rosewood <input type="checkbox"/>	+\$0
69R	recograin rosewood <input type="checkbox"/>	+\$0
GOU	natural walnut, flat cut, matte sheen <input type="checkbox"/>	+\$0

RecoGrain Veneer

For walnut (W)

66G	recograin wenge <input type="checkbox"/>	+\$0
69G	recograin wenge <input type="checkbox"/>	+\$0

Recon Veneer -

For walnut (W)

96G	wenge recograin, quarter cut, low sheen <input type="checkbox"/>	+\$0
99G	recograin wenge, quarter cut, low sheen <input type="checkbox"/>	+\$0

Low Sheen Finishes (on Walnut)

For walnut (W)

G2U	light brown walnut, low sheen <input type="checkbox"/>	+\$0
G40	dark brown walnut, low sheen <input type="checkbox"/>	+\$0
962	toasted walnut, low sheen <input type="checkbox"/>	+\$0
963	charred walnut, low sheen <input type="checkbox"/>	+\$0
964	bronzed walnut, low sheen <input type="checkbox"/>	+\$0
965	smoked walnut, low sheen <input type="checkbox"/>	+\$0
966	coffee walnut, low sheen <input type="checkbox"/>	+\$0
972	sundance walnut <input type="checkbox"/>	+\$0
98R	recograin rosewood <input type="checkbox"/>	+\$0
99R	recograin rosewood <input type="checkbox"/>	+\$0
EK	medium red walnut <input type="checkbox"/>	+\$0

Step 4. Seat/Cushion

Price Category 1	+\$59
Price Category (Geiger) 2	+\$0
Price Category 2	+\$71
Price Category (Geiger) 3	+\$89
Price Category 3	+\$89
Price Category (Geiger) 4	+\$108
Price Category 4	+\$108
Price Category (Geiger) 5	+\$158
Price Category 5	+\$158

Crosshatch Lounge Chair *continued*

Price Category (Geiger) 6	+\$207
Price Category (Geiger) 7	+\$257
Price Category (Geiger) 8	+\$393
Price Category (Geiger) 9	+\$488
Price Category 9	+\$488
Price Category (Geiger) 10	+\$561
Price Category (Geiger) 11	+\$629
Price Category 11	+\$629
Price Category 14	+\$824
Price Category (Geiger) C	+\$80
Price Category (Geiger) D	+\$105
Price Category (Geiger) E	+\$128
Price Category (Geiger) F	+\$153
Price Category (Geiger) G	+\$209
Price Category (Geiger) H	+\$260
Price Category (Geiger) I	+\$314
Price Category (Geiger) J	+\$368
Price Category (Geiger) K	+\$422
Price Category (Geiger) L	+\$476
Price Category (Geiger) M	+\$530
Price Category (Geiger) N	+\$584
Price Category (Geiger) O	+\$638
Price Category (Geiger) P	+\$690
Price Category (Geiger) Q	+\$797
Price Category (Geiger) R	+\$1110
Price Category (Geiger) U	+\$1358
Price Category (Geiger) COM <input type="checkbox"/>	+\$0
Price Category (Geiger) COL <input type="checkbox"/>	+\$108

Step 5. Cord

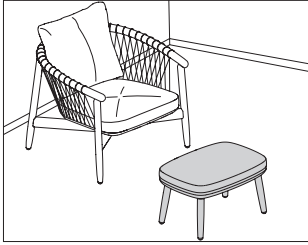
CBK black cord <input type="checkbox"/>	+\$0
CBR dark brown cord <input type="checkbox"/>	+\$0
CCM cream cord <input type="checkbox"/>	+\$0
CGY gray cord <input type="checkbox"/>	+\$0

Step 6. Fire Retardancy

NOCAL no cal-133 required <input type="checkbox"/>	+\$0
133 cal-133 required <input type="checkbox"/>	+\$98

Crosshatch Ottoman

SES3A
SES3W



Product Information

Description

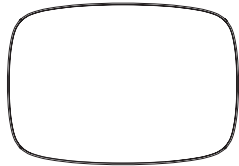
This ottoman has a solid wood frame with an upholstered cushion. Frame comes in ash or walnut.

Notes

Fire retardant chair meets CAL 133 requirements.

Customer's Own Material (COM) requires $\frac{3}{4}$ yards. Customer's Own Leather (COL) requires $13\frac{1}{2}$ square feet. See Order Information in appendices.

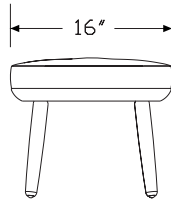
Dimensions



22 7/8"



13 7/8"



16"

Specification Information

Step 1.

SES3 A

Step 2. Wood Species

A ash A

W walnut A

Prices for Steps 1-2.

SES3A \$990

SES3W \$1140

Step 3. Wood Finish

For ash (A)

66G recograin wenge A +\$0

68W recograin walnut, flat cut, matte sheen A +\$0

69G recograin wenge A +\$0

69W recograin walnut, quarter cut, matte sheen A +\$0

For ash (A)

98W recograin walnut, flat cut, low sheen A +\$0

99G recograin wenge, quarter cut, low sheen A +\$0

99W recograin walnut, quarter cut, low sheen A +\$0

Low Sheen Finishes (on Ash)

For ash (A)

967 smoked paldao, low sheen A +\$0

969 warm paldao, low sheen A +\$0

932 sundance anigre A +\$0

933 caramel anigre A +\$0

934 henna anigre A +\$0

<i>For ash (A)</i>		
940	sundance cherry on maple	+ \$0
962	toasted walnut, low sheen	+ \$0
963	charred walnut, low sheen	+ \$0
964	bronzed walnut, low sheen	+ \$0
965	smoked walnut, low sheen	+ \$0
966	coffee walnut, low sheen	+ \$0
977	chocolate ash, low sheen	+ \$0
98R	recograin rosewood	+ \$0
99A	recograin frosty ash	+ \$0
99R	recograin rosewood	+ \$0
99T	recograin teak	+ \$0
9A1	white ash, quarter cut, low sheen	+ \$0
9K1	rift oak, rift cut, low sheen	+ \$0
9K6	burnt oak, rift cut, low sheen	+ \$0
EK	medium red walnut	+ \$0
EW	medium matte walnut	+ \$0
G2U	light brown walnut, low sheen	+ \$0
G40	dark brown walnut, low sheen	+ \$0
UX	walnut on cherry	+ \$0
943	caramel cherry	+ \$0
944	henna cherry	+ \$0
945	port cherry	+ \$0
946	cocoa cherry	+ \$0
954	henna sapele	+ \$0
955	port sapele	+ \$0
956	cocoa sapele	+ \$0
957	espresso sapele	+ \$0
991	champagne ash	+ \$0
998	ebony ash	+ \$0
ED	aged cherry	+ \$0

<i>Matte Sheen Finishes (on Ash)</i>		
<i>For ash (A)</i>		
66A	recograin frosty ash	+ \$0
677	chocolate ash, matte sheen	+ \$0
68R	recograin rosewood	+ \$0
69A	recograin frosty ash	+ \$0
69R	recograin rosewood	+ \$0
69T	recograin teak	+ \$0
6K1	rift oak	+ \$0
ET	clear on ash	+ \$0
EU	oak on ash	+ \$0
EV	walnut on ash	+ \$0
6A1	white ash	+ \$0
6A2	platinum ash	+ \$0
6K6	burnt oak	+ \$0
GOU	natural walnut, flat cut, matte sheen	+ \$0

<i>For walnut (W)</i>		
967	smoked paldao, low sheen	+ \$0
969	warm paldao, low sheen	+ \$0

<i>For walnut (W)</i>		
66G	recograin wenge	+ \$0
69G	recograin wenge	+ \$0

<i>For walnut (W)</i>		
96G	wenge recograin, quarter cut, low sheen	+ \$0
99G	recograin wenge, quarter cut, low sheen	+ \$0

<i>Low Sheen Finishes (on Walnut)</i>		
<i>For walnut (W)</i>		
962	toasted walnut, low sheen	+ \$0
963	charred walnut, low sheen	+ \$0
964	bronzed walnut, low sheen	+ \$0
965	smoked walnut, low sheen	+ \$0
966	coffee walnut, low sheen	+ \$0
972	sundance walnut	+ \$0
98R	recograin rosewood	+ \$0
99R	recograin rosewood	+ \$0
G2U	light brown walnut, low sheen	+ \$0
G40	dark brown walnut, low sheen	+ \$0
973	caramel walnut	+ \$0
974	henna walnut	+ \$0
975	port walnut	+ \$0
976	cocoa walnut	+ \$0
EK	medium red walnut	+ \$0

Crosshatch Ottoman *continued*

For walnut (W)

662	toasted walnut, matte sheen <input type="checkbox"/> A	+\$0
663	charred walnut, matte sheen <input type="checkbox"/> A	+\$0
664	bronzed walnut, matte sheen <input type="checkbox"/> A	+\$0
665	smoked walnut, matte sheen <input type="checkbox"/> A	+\$0
666	coffee walnut, matte sheen <input type="checkbox"/> A	+\$0
667	smoked paldao, quarter cut, matte sheen <input type="checkbox"/> A	+\$0
669	warm paldao, quarter cut, matte sheen <input type="checkbox"/> A	+\$0
68R	recograin rosewood <input type="checkbox"/> A	+\$0
69R	recograin rosewood <input type="checkbox"/> A	+\$0
GOU	natural walnut, flat cut, matte sheen <input type="checkbox"/> A	+\$0

Step 4. Fabric

Price Category 1	+\$29
Price Category 2	+\$35
Price Category (Geiger) 3	+\$44
Price Category 3	+\$44
Price Category (Geiger) 4	+\$54
Price Category 4	+\$54
Price Category (Geiger) 5	+\$79
Price Category 5	+\$79
Price Category (Geiger) 6	+\$104
Price Category (Geiger) 7	+\$128
Price Category (Geiger) 8	+\$197
Price Category (Geiger) 9	+\$244
Price Category 9	+\$244
Price Category (Geiger) 10	+\$281
Price Category (Geiger) 11	+\$314
Price Category (Geiger) 14	+\$412
Price Category (Geiger) C	+\$40
Price Category (Geiger) D	+\$53
Price Category (Geiger) E	+\$64
Price Category (Geiger) F	+\$77
Price Category (Geiger) G	+\$104
Price Category (Geiger) H	+\$130
Price Category (Geiger) I	+\$157
Price Category (Geiger) J	+\$184
Price Category (Geiger) K	+\$211
Price Category (Geiger) L	+\$238
Price Category (Geiger) M	+\$265
Price Category (Geiger) N	+\$292
Price Category (Geiger) O	+\$319
Price Category (Geiger) P	+\$345
Price Category (Geiger) Q	+\$398
Price Category (Geiger) R	+\$555
Price Category (Geiger) U	+\$679
Price Category (Geiger) COM <input type="checkbox"/> A	+\$0

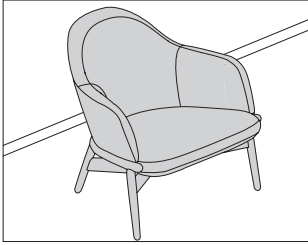
Price Category (Geiger) COL A +\$54

Step 5. Fire Retardancy

NOCAL	no cal-133 required <input type="checkbox"/> A	+\$0
133	cal-133 required <input type="checkbox"/> A	+\$49

Reframe Mid-Back Lounge Chair

SJAA
SJAW



HermanMiller Collection—Lounge Seating

Product Information

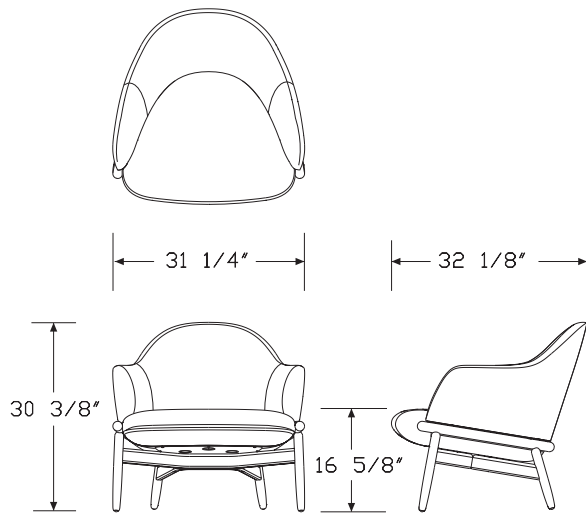
Description

This chair has a solid wood frame. Seat and back are composed of rigid and flexible polyurethane foam.

Notes

Customer's Own Material (COM) requires 3½ yards. Customer's Own Leather (COL) requires 63 square feet.

Dimensions



Specification Information

Step 1.

SJA

Step 2. Wood Species

A ash

W walnut

Prices for Steps 1-2.

SJAA	\$2650
SJAW	\$3145

Step 3. Wood Finish

For ash (A)

662	toasted walnut, matte sheen <input type="checkbox"/>	+\$0
663	charred walnut, matte sheen <input type="checkbox"/>	+\$0
664	bronzed walnut, matte sheen <input type="checkbox"/>	+\$0
665	smoked walnut, matte sheen <input type="checkbox"/>	+\$0
666	coffee walnut, matte sheen <input type="checkbox"/>	+\$0
667	smoked paldao, matte sheen <input type="checkbox"/>	+\$0
669	warm paldao, matte sheen <input type="checkbox"/>	+\$0
66A	recograin frosty ash, matte sheen <input type="checkbox"/>	+\$0
66G	recograin wenge, matte sheen <input type="checkbox"/>	+\$0
66W	recograin walnut, matte sheen <input type="checkbox"/>	+\$0
677	chocolate ash, matte sheen <input type="checkbox"/>	+\$0
68R	recograin rosewood, matte sheen <input type="checkbox"/>	+\$0
68W	recograin walnut, matte sheen <input type="checkbox"/>	+\$0
69A	recograin frosty ash, matte sheen <input type="checkbox"/>	+\$0
69G	recograin wenge, matte sheen <input type="checkbox"/>	+\$0
69R	recograin rosewood, matte sheen <input type="checkbox"/>	+\$0
69T	recograin teak, matte sheen <input type="checkbox"/>	+\$0
69W	recograin walnut, matte sheen <input type="checkbox"/>	+\$0
6A1	white ash, matte sheen <input type="checkbox"/>	+\$0
6A2	platinum ash, matte sheen <input type="checkbox"/>	+\$0
6ET	clear on ash, matte sheen <input type="checkbox"/>	+\$0
6EU	clear on oak, matte sheen <input type="checkbox"/>	+\$0
6EV	walnut on ash, matte sheen <input type="checkbox"/>	+\$0
6K1	rift oak, matte sheen <input type="checkbox"/>	+\$0
6K6	burnt oak, matte sheen <input type="checkbox"/>	+\$0
ET	clear on ash, matte sheen <input type="checkbox"/>	+\$0
EU	oak on ash, matte sheen <input type="checkbox"/>	+\$0
EV	walnut on ash, matte sheen <input type="checkbox"/>	+\$0
GOU	walnut, matte sheen <input type="checkbox"/>	+\$0

Reframe Mid-Back Lounge Chair

continued

For ash (A)

940	sundance cherry on maple, low sheen <input type="checkbox"/>	+\$0
943	caramel cherry, low sheen <input type="checkbox"/>	+\$0
946	cocoa cherry, low sheen <input type="checkbox"/>	+\$0
956	cocoa sapele, low sheen <input type="checkbox"/>	+\$0
962	toasted walnut, low sheen <input type="checkbox"/>	+\$0
963	charred walnut, low sheen <input type="checkbox"/>	+\$0
964	bronzed walnut, low sheen <input type="checkbox"/>	+\$0
965	smoked walnut, low sheen <input type="checkbox"/>	+\$0
966	coffee walnut, low sheen <input type="checkbox"/>	+\$0
967	smoked paldao, low sheen <input type="checkbox"/>	+\$0
969	warm paldao, low sheen <input type="checkbox"/>	+\$0
96A	recograin frosty ash, low sheen <input type="checkbox"/>	+\$0
96G	recograin wenge, low sheen <input type="checkbox"/>	+\$0
96W	recograin walnut, low sheen <input type="checkbox"/>	+\$0
977	chocolate ash, low sheen <input type="checkbox"/>	+\$0
98R	recograin rosewood, low sheen <input type="checkbox"/>	+\$0
98W	recograin walnut, low sheen <input type="checkbox"/>	+\$0
991	champagne ash, low sheen <input type="checkbox"/>	+\$0
998	ebony ash, low sheen <input type="checkbox"/>	+\$0
99A	recograin frosty ash, low sheen <input type="checkbox"/>	+\$0
99G	recograin wenge, low sheen <input type="checkbox"/>	+\$0
99R	recograin rosewood, low sheen <input type="checkbox"/>	+\$0
99T	recograin teak, low sheen <input type="checkbox"/>	+\$0
99W	recograin walnut, low sheen <input type="checkbox"/>	+\$0
9A1	white ash, quarter cut, low sheen <input type="checkbox"/>	+\$0
9K1	rift oak, low sheen <input type="checkbox"/>	+\$0
9K6	burnt oak, low sheen <input type="checkbox"/>	+\$0
ED	aged cherry, low sheen <input type="checkbox"/>	+\$0
EK	medium red walnut, low sheen <input type="checkbox"/>	+\$0
G2U	light brown walnut, low sheen <input type="checkbox"/>	+\$0
G40	dark brown walnut, low sheen <input type="checkbox"/>	+\$0
UX	walnut on cherry, low sheen <input type="checkbox"/>	+\$0

For walnut (W)

662	toasted walnut, matte sheen <input type="checkbox"/>	+\$0
663	charred walnut, matte sheen <input type="checkbox"/>	+\$0
664	bronzed walnut, matte sheen <input type="checkbox"/>	+\$0
665	smoked walnut, matte sheen <input type="checkbox"/>	+\$0
666	coffee walnut, matte sheen <input type="checkbox"/>	+\$0
667	smoked paldao, matte sheen <input type="checkbox"/>	+\$0
669	warm paldao, matte sheen <input type="checkbox"/>	+\$0
66G	recograin wenge, matte sheen <input type="checkbox"/>	+\$0
68R	recograin rosewood, matte sheen <input type="checkbox"/>	+\$0
69G	recograin wenge, matte sheen <input type="checkbox"/>	+\$0
69R	recograin rosewood, matte sheen <input type="checkbox"/>	+\$0
6EV	walnut on ash, matte sheen <input type="checkbox"/>	+\$0
EV	walnut on ash, matte sheen <input type="checkbox"/>	+\$0
GOU	walnut, matte sheen <input type="checkbox"/>	+\$0

For walnut (W)

962	toasted walnut, low sheen <input type="checkbox"/>	+\$0
963	charred walnut, low sheen <input type="checkbox"/>	+\$0
964	bronzed walnut, low sheen <input type="checkbox"/>	+\$0
965	smoked walnut, low sheen <input type="checkbox"/>	+\$0
966	coffee walnut, low sheen <input type="checkbox"/>	+\$0
967	smoked paldao, low sheen <input type="checkbox"/>	+\$0
969	warm paldao, low sheen <input type="checkbox"/>	+\$0
972	sundance walnut, low sheen <input type="checkbox"/>	+\$0
96G	recograin wenge, low sheen <input type="checkbox"/>	+\$0
98R	recograin rosewood, low sheen <input type="checkbox"/>	+\$0
99G	recograin wenge, low sheen <input type="checkbox"/>	+\$0
99R	recograin rosewood, low sheen <input type="checkbox"/>	+\$0
EK	medium red walnut, low sheen <input type="checkbox"/>	+\$0
G2U	light brown walnut, low sheen <input type="checkbox"/>	+\$0
G40	dark brown walnut, low sheen <input type="checkbox"/>	+\$0

Reframe Mid-Back Lounge Chair

continued

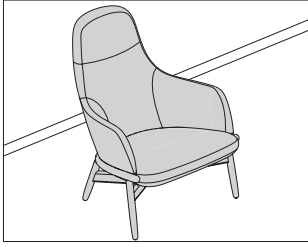
HermanMiller Collection—Lounge Seating

Step 4. Fabric	
Price Category 1	+\$0
Price Category 2	+\$165
Price Category (Geiger) 3	+\$207
Price Category (Geiger) 4	+\$252
Price Category 5	+\$368
Price Category (Geiger) 5	+\$368
Price Category (Geiger) 7	+\$599
Price Category 9	+\$1139
Price Category 11	+\$1467
Price Category (Geiger) 11	+\$1467
Price Category (Geiger) 14	+\$1922
Price Category (Geiger) C	+\$186
Price Category (Geiger) E	+\$298
Price Category (Geiger) G	+\$487
Price Category (Geiger) H	+\$606
Price Category (Geiger) COM <input type="checkbox"/>	+\$0
Price Category (Geiger) COL <input type="checkbox"/>	+\$252

Step 5. Fire Retardancy	
NOCAL no cal-133 required <input type="checkbox"/>	+\$0

Reframe High-Back Lounge Chair

SJBA
SJBW



Product Information

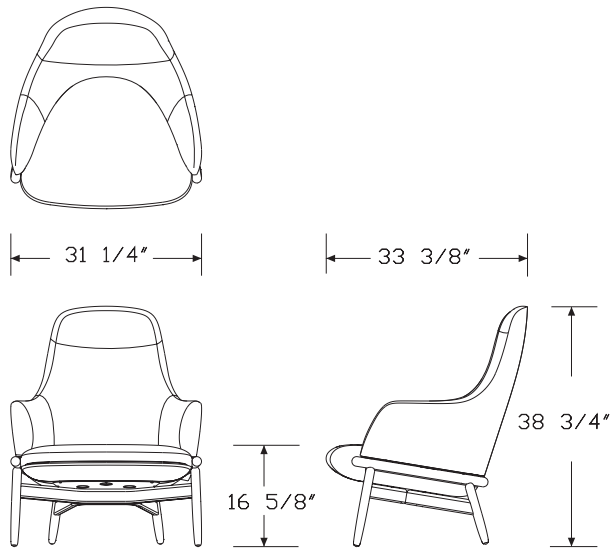
Description

This chair has a solid wood frame. Seat and back are composed of rigid and flexible polyurethane foam.

Notes

Customer's Own Material (COM) requires 3³/₄ yards. Customer's Own Leather (COL) requires 67¹/₂ square feet.

Dimensions



Specification Information

Step 1.

SJB A

Step 2. Wood Species

A ash A

W walnut A

Prices for Steps 1-2.

SJBA \$2800

SJBW \$3295

Step 3. Wood Finish

For ash (A)

662	toasted walnut, matte sheen <input type="checkbox"/> A	+\$0
663	charred walnut, matte sheen <input type="checkbox"/> A	+\$0
664	bronzed walnut, matte sheen <input type="checkbox"/> A	+\$0
665	smoked walnut, matte sheen <input type="checkbox"/> A	+\$0
666	coffee walnut, matte sheen <input type="checkbox"/> A	+\$0
667	smoked paldao, matte sheen <input type="checkbox"/> A	+\$0
669	warm paldao, matte sheen <input type="checkbox"/> A	+\$0
66A	recograin frosty ash, matte sheen <input type="checkbox"/> A	+\$0
66G	recograin wenge, matte sheen <input type="checkbox"/> A	+\$0
66W	recograin walnut, matte sheen <input type="checkbox"/> A	+\$0
677	chocolate ash, matte sheen <input type="checkbox"/> A	+\$0
68R	recograin rosewood, matte sheen <input type="checkbox"/> A	+\$0
68W	recograin walnut, matte sheen <input type="checkbox"/> A	+\$0
69A	recograin frosty ash, matte sheen <input type="checkbox"/> A	+\$0
69G	recograin wenge, matte sheen <input type="checkbox"/> A	+\$0
69R	recograin rosewood, matte sheen <input type="checkbox"/> A	+\$0
69T	recograin teak, matte sheen <input type="checkbox"/> A	+\$0
69W	recograin walnut, matte sheen <input type="checkbox"/> A	+\$0
6A1	white ash, matte sheen <input type="checkbox"/> A	+\$0
6A2	platinum ash, matte sheen <input type="checkbox"/> A	+\$0
6ET	clear on ash, matte sheen <input type="checkbox"/> A	+\$0
6EU	clear on oak, matte sheen <input type="checkbox"/> A	+\$0
6EV	walnut on ash, matte sheen <input type="checkbox"/> A	+\$0
6K1	rift oak, matte sheen <input type="checkbox"/> A	+\$0
6K6	burnt oak, matte sheen <input type="checkbox"/> A	+\$0
ET	clear on ash, matte sheen <input type="checkbox"/> A	+\$0
EU	oak on ash, matte sheen <input type="checkbox"/> A	+\$0
EV	walnut on ash, matte sheen <input type="checkbox"/> A	+\$0
GOU	walnut, matte sheen <input type="checkbox"/> A	+\$0

Reframe High-Back Lounge Chair

continued

HermanMiller Collection—Lounge Seating

For ash (A)

940	sundance cherry on maple, low sheen A	+\$0
943	caramel cherry, low sheen A	+\$0
946	cocoa cherry, low sheen A	+\$0
956	cocoa sapele, low sheen A	+\$0
962	toasted walnut, low sheen A	+\$0
963	charred walnut, low sheen A	+\$0
964	bronzed walnut, low sheen A	+\$0
965	smoked walnut, low sheen A	+\$0
966	coffee walnut, low sheen A	+\$0
967	smoked paldao, low sheen A	+\$0
969	warm paldao, low sheen A	+\$0
96A	recograin frosty ash, low sheen A	+\$0
96G	recograin wenge, low sheen A	+\$0
96W	recograin walnut, low sheen A	+\$0
977	chocolate ash, low sheen A	+\$0
98R	recograin rosewood, low sheen A	+\$0
98W	recograin walnut, low sheen A	+\$0
991	champagne ash, low sheen A	+\$0
998	ebony ash, low sheen A	+\$0
99A	recograin frosty ash, low sheen A	+\$0
99G	recograin wenge, low sheen A	+\$0
99R	recograin rosewood, low sheen A	+\$0
99T	recograin teak, low sheen A	+\$0
99W	recograin walnut, low sheen A	+\$0
9A1	white ash, quarter cut, low sheen A	+\$0
9K1	rift oak, low sheen A	+\$0
9K6	burnt oak, low sheen A	+\$0
ED	aged cherry, low sheen A	+\$0
EK	medium red walnut, low sheen A	+\$0
G2U	light brown walnut, low sheen A	+\$0
G40	dark brown walnut, low sheen A	+\$0
UX	walnut on cherry, low sheen A	+\$0

For walnut (W)

662	toasted walnut, matte sheen A	+\$0
663	charred walnut, matte sheen A	+\$0
664	bronzed walnut, matte sheen A	+\$0
665	smoked walnut, matte sheen A	+\$0
666	coffee walnut, matte sheen A	+\$0
667	smoked paldao, matte sheen A	+\$0
669	warm paldao, matte sheen A	+\$0
66G	recograin wenge, matte sheen A	+\$0
68R	recograin rosewood, matte sheen A	+\$0
69G	recograin wenge, matte sheen A	+\$0
69R	recograin rosewood, matte sheen A	+\$0
6EV	walnut on ash, matte sheen A	+\$0
EV	walnut on ash, matte sheen A	+\$0
GOU	walnut, matte sheen A	+\$0

For walnut (W)

962	toasted walnut, low sheen A	+\$0
963	charred walnut, low sheen A	+\$0
964	bronzed walnut, low sheen A	+\$0
965	smoked walnut, low sheen A	+\$0
966	coffee walnut, low sheen A	+\$0
967	smoked paldao, low sheen A	+\$0
969	warm paldao, low sheen A	+\$0
972	sundance walnut, low sheen A	+\$0
96G	recograin wenge, low sheen A	+\$0
98R	recograin rosewood, low sheen A	+\$0
99G	recograin wenge, low sheen A	+\$0
99R	recograin rosewood, low sheen A	+\$0
EK	medium red walnut, low sheen A	+\$0
G2U	light brown walnut, low sheen A	+\$0
G40	dark brown walnut, low sheen A	+\$0

Reframe High-Back Lounge Chair

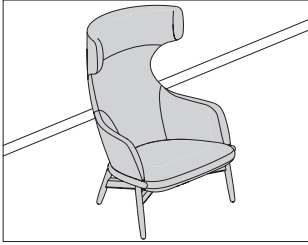
continued

Step 4. Fabric	
Price Category 1	+\$0
Price Category 2	+\$177
Price Category (Geiger) 3	+\$222
Price Category (Geiger) 4	+\$270
Price Category 5	+\$394
Price Category (Geiger) 5	+\$394
Price Category (Geiger) 7	+\$642
Price Category 9	+\$1219
Price Category 11	+\$1572
Price Category (Geiger) 14	+\$2059
Price Category (Geiger) C	+\$199
Price Category (Geiger) G	+\$522
Price Category (Geiger) H	+\$649
Price Category (Geiger) COM <input type="checkbox"/> A	+\$0
Price Category (Geiger) COL <input type="checkbox"/> A	+\$270

Step 5. Fire Retardancy	
NOCAL no cal-133 required <input type="checkbox"/> A	+\$0

Reframe Wing-Back Lounge Chair

SJCA
SJCW



HermanMiller Collection—Lounge Seating

Product Information

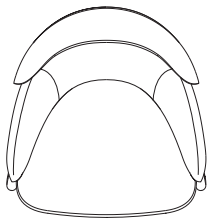
Description

This chair has a solid wood frame. Seat and back are composed of rigid and flexible polyurethane foam.

Notes

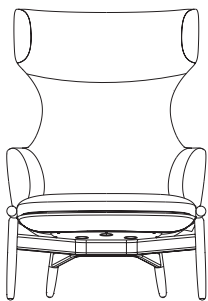
Customer's Own Material (COM) requires 4¹/₄ yards. Customer's Own Leather (COL) requires 81 square feet.

Dimensions

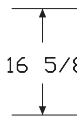


31 1/4"

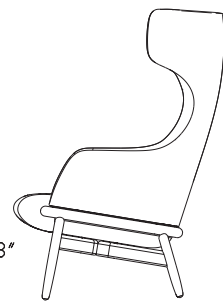
33 1/2"



45 1/4"



16 5/8"



Specification Information

Step 1.

SJC A

Step 2. Wood Species

A ash A

W walnut A

Prices for Steps 1-2.

SJCA \$3000

SJCW \$3495

Step 3. Wood Finish

For ash (A)

662	toasted walnut, matte sheen <input type="checkbox"/> A	+\$0
663	charred walnut, matte sheen <input type="checkbox"/> A	+\$0
664	bronzed walnut, matte sheen <input type="checkbox"/> A	+\$0
665	smoked walnut, matte sheen <input type="checkbox"/> A	+\$0
666	coffee walnut, matte sheen <input type="checkbox"/> A	+\$0
667	smoked paldao, matte sheen <input type="checkbox"/> A	+\$0
669	warm paldao, matte sheen <input type="checkbox"/> A	+\$0
66A	recograin frosty ash, matte sheen <input type="checkbox"/> A	+\$0
66G	recograin wenge, matte sheen <input type="checkbox"/> A	+\$0
66W	recograin walnut, matte sheen <input type="checkbox"/> A	+\$0
677	chocolate ash, matte sheen <input type="checkbox"/> A	+\$0
68R	recograin rosewood, matte sheen <input type="checkbox"/> A	+\$0
68W	recograin walnut, matte sheen <input type="checkbox"/> A	+\$0
69A	recograin frosty ash, matte sheen <input type="checkbox"/> A	+\$0
69G	recograin wenge, matte sheen <input type="checkbox"/> A	+\$0
69R	recograin rosewood, matte sheen <input type="checkbox"/> A	+\$0
69T	recograin teak, matte sheen <input type="checkbox"/> A	+\$0
69W	recograin walnut, matte sheen <input type="checkbox"/> A	+\$0
6A1	white ash, matte sheen <input type="checkbox"/> A	+\$0
6A2	platinum ash, matte sheen <input type="checkbox"/> A	+\$0
6ET	clear on ash, matte sheen <input type="checkbox"/> A	+\$0
6EU	clear on oak, matte sheen <input type="checkbox"/> A	+\$0
6EV	walnut on ash, matte sheen <input type="checkbox"/> A	+\$0
6K1	rift oak, matte sheen <input type="checkbox"/> A	+\$0
6K6	burnt oak, matte sheen <input type="checkbox"/> A	+\$0
ET	clear on ash, matte sheen <input type="checkbox"/> A	+\$0
EU	oak on ash, matte sheen <input type="checkbox"/> A	+\$0
EV	walnut on ash, matte sheen <input type="checkbox"/> A	+\$0
GOU	walnut, matte sheen <input type="checkbox"/> A	+\$0

Reframe Wing-Back Lounge Chair

continued

For ash (A)

940	sundance cherry on maple, low sheen <input type="checkbox"/>	+\$0
943	caramel cherry, low sheen <input type="checkbox"/>	+\$0
946	cocoa cherry, low sheen <input type="checkbox"/>	+\$0
956	cocoa sapele, low sheen <input type="checkbox"/>	+\$0
962	toasted walnut, low sheen <input type="checkbox"/>	+\$0
963	charred walnut, low sheen <input type="checkbox"/>	+\$0
964	bronzed walnut, low sheen <input type="checkbox"/>	+\$0
965	smoked walnut, low sheen <input type="checkbox"/>	+\$0
966	coffee walnut, low sheen <input type="checkbox"/>	+\$0
967	smoked paldao, low sheen <input type="checkbox"/>	+\$0
969	warm paldao, low sheen <input type="checkbox"/>	+\$0
96A	recograin frosty ash, low sheen <input type="checkbox"/>	+\$0
96G	recograin wenge, low sheen <input type="checkbox"/>	+\$0
96W	recograin walnut, low sheen <input type="checkbox"/>	+\$0
977	chocolate ash, low sheen <input type="checkbox"/>	+\$0
98R	recograin rosewood, low sheen <input type="checkbox"/>	+\$0
98W	recograin walnut, low sheen <input type="checkbox"/>	+\$0
991	champagne ash, low sheen <input type="checkbox"/>	+\$0
998	ebony ash, low sheen <input type="checkbox"/>	+\$0
99A	recograin frosty ash, low sheen <input type="checkbox"/>	+\$0
99G	recograin wenge, low sheen <input type="checkbox"/>	+\$0
99R	recograin rosewood, low sheen <input type="checkbox"/>	+\$0
99T	recograin teak, low sheen <input type="checkbox"/>	+\$0
99W	recograin walnut, low sheen <input type="checkbox"/>	+\$0
9A1	white ash, quarter cut, low sheen <input type="checkbox"/>	+\$0
9K1	rift oak, low sheen <input type="checkbox"/>	+\$0
9K6	burnt oak, low sheen <input type="checkbox"/>	+\$0
ED	aged cherry, low sheen <input type="checkbox"/>	+\$0
EK	medium red walnut, low sheen <input type="checkbox"/>	+\$0
G2U	light brown walnut, low sheen <input type="checkbox"/>	+\$0
G40	dark brown walnut, low sheen <input type="checkbox"/>	+\$0
UX	walnut on cherry, low sheen <input type="checkbox"/>	+\$0

For walnut (W)

662	toasted walnut, matte sheen <input type="checkbox"/>	+\$0
663	charred walnut, matte sheen <input type="checkbox"/>	+\$0
664	bronzed walnut, matte sheen <input type="checkbox"/>	+\$0
665	smoked walnut, matte sheen <input type="checkbox"/>	+\$0
666	coffee walnut, matte sheen <input type="checkbox"/>	+\$0
667	smoked paldao, matte sheen <input type="checkbox"/>	+\$0
669	warm paldao, matte sheen <input type="checkbox"/>	+\$0
66G	recograin wenge, matte sheen <input type="checkbox"/>	+\$0
68R	recograin rosewood, matte sheen <input type="checkbox"/>	+\$0
69G	recograin wenge, matte sheen <input type="checkbox"/>	+\$0
69R	recograin rosewood, matte sheen <input type="checkbox"/>	+\$0
6EV	walnut on ash, matte sheen <input type="checkbox"/>	+\$0
EV	walnut on ash, matte sheen <input type="checkbox"/>	+\$0
GOU	walnut, matte sheen <input type="checkbox"/>	+\$0

For walnut (W)

962	toasted walnut, low sheen <input type="checkbox"/>	+\$0
963	charred walnut, low sheen <input type="checkbox"/>	+\$0
964	bronzed walnut, low sheen <input type="checkbox"/>	+\$0
965	smoked walnut, low sheen <input type="checkbox"/>	+\$0
966	coffee walnut, low sheen <input type="checkbox"/>	+\$0
967	smoked paldao, low sheen <input type="checkbox"/>	+\$0
969	warm paldao, low sheen <input type="checkbox"/>	+\$0
972	sundance walnut, low sheen <input type="checkbox"/>	+\$0
96G	recograin wenge, low sheen <input type="checkbox"/>	+\$0
98R	recograin rosewood, low sheen <input type="checkbox"/>	+\$0
99G	recograin wenge, low sheen <input type="checkbox"/>	+\$0
99R	recograin rosewood, low sheen <input type="checkbox"/>	+\$0
EK	medium red walnut, low sheen <input type="checkbox"/>	+\$0
G2U	light brown walnut, low sheen <input type="checkbox"/>	+\$0
G40	dark brown walnut, low sheen <input type="checkbox"/>	+\$0

Step 4. Fabric

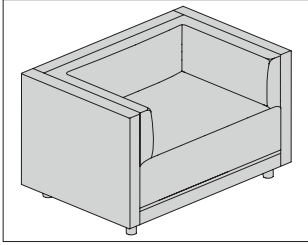
Price Category 5	+\$447
Price Category (Geiger) 5	+\$447
Price Category (Geiger) 7	+\$727
Price Category (Geiger) G	+\$591
Price Category (Geiger) H	+\$736
Price Category (Geiger) COM <input type="checkbox"/>	+\$0
Price Category (Geiger) COL <input type="checkbox"/>	+\$306

Step 5. Fire Retardancy

NOCAL no cal-133 required <input type="checkbox"/>	+\$0
---	------

Rolled Arm Club Chair

SBRA-



HermanMiller Collection—Lounge Seating

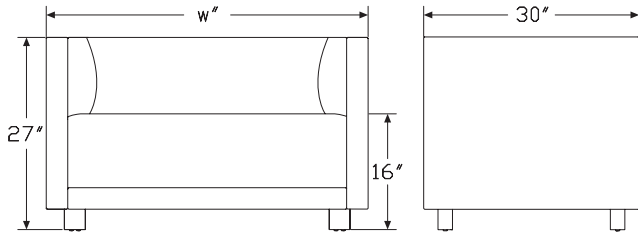
Product Information

Description
 This 43" wide chair is made of plywood with FR foam and Dacron® on the seat and back. The arms consist of FR foam, Dacron, and polyfoam. The legs are solid ash or walnut.

Notes

Customers Own Material (COM) requires 6 yards. Customers Own Leather (COL) requires 108 square feet. See Order Information in Appendices.

Dimensions



Specification Information

Step 1.
SBRA-43 [A] \$3210

Step 2. Wood Finish

Premium Veneer - Low Sheen		
940	sundance cherry on maple [A]	+\$0
943	caramel cherry [A]	+\$0
946	cocoa cherry [A]	+\$0
962	toasted walnut, low sheen [A]	+\$0
963	charred walnut, low sheen [A]	+\$0
964	bronzed walnut, low sheen [A]	+\$0
965	smoked walnut, low sheen [A]	+\$0
966	coffee walnut, low sheen [A]	+\$0
977	chocolate ash, low sheen [A]	+\$0
98R	recograin rosewood [A]	+\$0
991	champagne ash [A]	+\$0
998	ebony ash [A]	+\$0
99A	recograin frosty ash [A]	+\$0
99R	recograin rosewood [A]	+\$0
99T	recograin teak [A]	+\$0
9A1	white ash, quarter cut, low sheen [A]	+\$0
9K1	rift oak, rift cut, low sheen [A]	+\$0
9K6	burnt oak, rift cut, low sheen [A]	+\$0
ED	aged cherry [A]	+\$0
EK	medium red walnut [A]	+\$0
UX	walnut on cherry [A]	+\$0

Rolled Arm Club Chair *continued*

Premium Veneer - Matte		
662	toasted walnut, matte sheen <input type="checkbox"/> A	+\$0
663	charred walnut, matte sheen <input type="checkbox"/> A	+\$0
664	bronzed walnut, matte sheen <input type="checkbox"/> A	+\$0
665	smoked walnut, matte sheen <input type="checkbox"/> A	+\$0
666	coffee walnut, matte sheen <input type="checkbox"/> A	+\$0
667	smoked paldao, quarter cut, matte sheen <input type="checkbox"/> A	+\$0
669	warm paldao, quarter cut, matte sheen <input type="checkbox"/> A	+\$0
66A	recograin frosty ash <input type="checkbox"/> A	+\$0
677	chocolate ash, matte sheen <input type="checkbox"/> A	+\$0
68R	recograin rosewood <input type="checkbox"/> A	+\$0
69A	recograin frosty ash <input type="checkbox"/> A	+\$0
69R	recograin rosewood <input type="checkbox"/> A	+\$0
69T	recograin teak <input type="checkbox"/> A	+\$0
6A1	white ash <input type="checkbox"/> A	+\$0
6K1	rift oak <input type="checkbox"/> A	+\$0
6K6	burnt oak <input type="checkbox"/> A	+\$0
ET	clear on ash <input type="checkbox"/> A	+\$0
EU	oak on ash <input type="checkbox"/> A	+\$0
EV	walnut on ash <input type="checkbox"/> A	+\$0
GOU	natural walnut, flat cut, matte sheen <input type="checkbox"/> A	+\$0

RecoGrain Veneer		
66G	recograin wenge <input type="checkbox"/> A	+\$0
68W	recograin walnut, flat cut, matte sheen <input type="checkbox"/> A	+\$0
69G	recograin wenge <input type="checkbox"/> A	+\$0
69W	recograin walnut, quarter cut, matte sheen <input type="checkbox"/> A	+\$0

Recon Veneer -		
96G	wenge recograin, quarter cut, low sheen <input type="checkbox"/> A	+\$0
98W	recograin walnut, flat cut, low sheen <input type="checkbox"/> A	+\$0
99G	recograin wenge, quarter cut, low sheen <input type="checkbox"/> A	+\$0
99W	recograin walnut, quarter cut, low sheen <input type="checkbox"/> A	+\$0

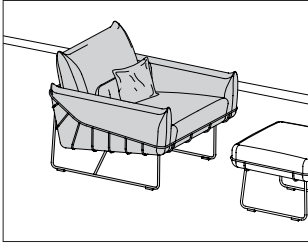
Step 3. Upholstery	
Price Category (Geiger) COM <input type="checkbox"/> A	+\$0
Price Category (Geiger) COL <input type="checkbox"/> A	+\$432
Price Category 1	+\$0
Price Category (Geiger) 2	+\$0
Price Category 2	+\$282
Price Category (Geiger) 3	+\$354
Price Category 3	+\$354
Price Category (Geiger) 4	+\$432
Price Category 4	+\$576
Price Category (Geiger) 5	+\$630
Price Category 5	+\$630
Price Category (Geiger) 6	+\$828

Price Category (Geiger) 7	+\$1026
Price Category (Geiger) 8	+\$1572
Price Category (Geiger) 9	+\$1950
Price Category 9	+\$1950
Price Category (Geiger) 10	+\$2244
Price Category (Geiger) 11	+\$2514
Price Category (Geiger) 14	+\$3294
Price Category (Geiger) C	+\$318
Price Category (Geiger) D	+\$420
Price Category (Geiger) E	+\$510
Price Category (Geiger) F	+\$612
Price Category (Geiger) G	+\$834
Price Category (Geiger) H	+\$1038
Price Category (Geiger) I	+\$1254
Price Category (Geiger) J	+\$1470
Price Category (Geiger) K	+\$1686
Price Category (Geiger) L	+\$1902
Price Category (Geiger) N	+\$2334
Price Category (Geiger) P	+\$2760
Price Category (Geiger) Q	+\$3186
Price Category (Geiger) U	+\$5430
Price Category (Geiger) X	+\$6420

Step 4. Fire Retardancy	
NOCAL no cal-133 required <input type="checkbox"/> A	+\$0
133 cal-133 required <input type="checkbox"/> A	+\$390

Wireframe™ Chair

BK110



HermanMiller Collection—Lounge Seating

Product Information

Description

This chair has contoured cushions on a separate wire frame structure, featuring SuperSeat™ technology. Lumbar and throw pillows included.

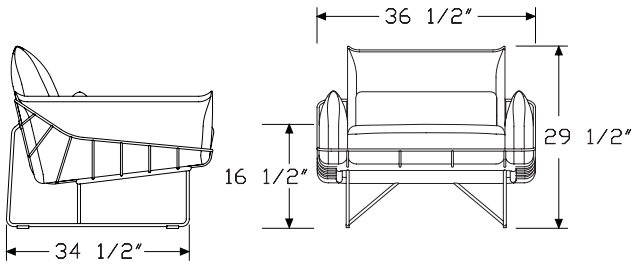
Notes

Fire retardant chair meets CAL 133 requirements.

COM/COL requires 7 yards/126 square feet per chair.

Lumbar and throw pillows are shipped in same material specified for chair cushions.

Dimensions



Specification Information

Step 1.

BK11000 [A] \$3955

Step 2. Frame Finish

91 white [A] +\$0
BK black [A] +\$0

Step 3. Fabric

Price Category 1 +\$0
 Price Category 2 +\$125
 Price Category (Geiger) 3 +\$180
 Price Category 3 +\$180
 Price Category (Geiger) 4 +\$300
 Price Category 4 +\$300
 Price Category (Geiger) 5 +\$450
 Price Category 5 +\$450
 Price Category (Geiger) 6 +\$600
 Price Category 6 +\$600
 Price Category (Geiger) 7 +\$800
 Price Category 7 +\$800
 Price Category (Geiger) 8 +\$1600
 Price Category (Geiger) 9 +\$1300
 Price Category 9 +\$1300
 Price Category (Geiger) 10 +\$1500
 Price Category 10 +\$1500
 Price Category (Geiger) 11 +\$1700
 Price Category 11 +\$1700
 Price Category 14 +\$2400
 Price Category B +\$197
 Price Category C +\$325
 Price Category D +\$412
 Price Category E +\$497
 Price Category F +\$643
 Price Category G +\$835
 Price Category (Geiger) H +\$1015
 Price Category H +\$1400
 Price Category I +\$1600
 Price Category J +\$1015
 Price Category K +\$1193
 Price Category L +\$1371
 Price Category M +\$1550
 Price Category N +\$1728
 Price Category O +\$1906
 Price Category P +\$2084
 Price Category Q +\$2262
 Price Category R +\$4093

Wireframe™ Chair *continued*

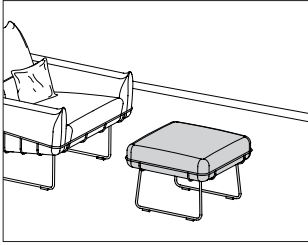
Price Category S	+\$2627
Price Category T	+\$2823
Price Category U	+\$3019
Price Category X	+\$5569
Price Category Y	+\$5864

Step 4. Fire Retardancy

NOCAL not fire retardant <input type="checkbox"/>	+\$0
133 fire retardant <input type="checkbox"/>	+\$244

Wireframe™ Ottoman

BK104



HermanMiller Collection—Lounge Seating

Product Information

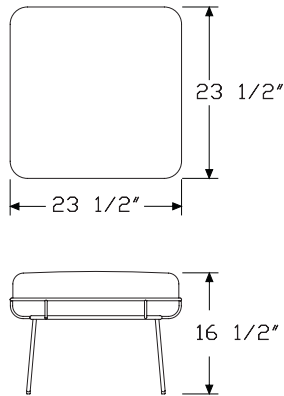
Description

This ottoman has contoured cushions on a separate wire frame structure, featuring SuperSeat™ technology.

Notes

Fire retardant ottoman meets CAL 133 requirements.
COM/COL requires 2½ yards/36 square feet per ottoman.

Dimensions



Specification Information

Step 1.

BK10400 [A] \$1880

Step 2. Frame Finish

91 white [A] +\$0
BK black [A] +\$0

Step 3. Fabric

Price Category 1	+\$0
Price Category 2	+\$60
Price Category (Geiger) 3	+\$80
Price Category 3	+\$80
Price Category (Geiger) 4	+\$110
Price Category 4	+\$110
Price Category (Geiger) 5	+\$150
Price Category 5	+\$150
Price Category (Geiger) 6	+\$190
Price Category 6	+\$190
Price Category (Geiger) 7	+\$250
Price Category 7	+\$250
Price Category 8	+\$1600
Price Category (Geiger) 8	+\$1600
Price Category (Geiger) 9	+\$385
Price Category 9	+\$385
Price Category (Geiger) 10	+\$450
Price Category 10	+\$450
Price Category (Geiger) 11	+\$520
Price Category 11	+\$520
Price Category 14	+\$720
Price Category B	+\$64
Price Category C	+\$107
Price Category D	+\$147
Price Category E	+\$178
Price Category F	+\$230
Price Category G	+\$298
Price Category (Geiger) H	+\$410
Price Category H	+\$363
Price Category I	+\$426
Price Category J	+\$490
Price Category K	+\$553
Price Category L	+\$617
Price Category M	+\$681
Price Category N	+\$744
Price Category O	+\$808
Price Category P	+\$871
Price Category Q	+\$938

Wireframe™ Ottoman *continued*

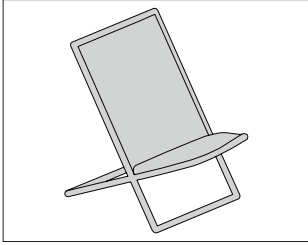
Price Category R	+\$1334
Price Category S	+\$1078
Price Category T	+\$1148
Price Category U	+\$1218
Price Category X	+\$1815
Price Category Y	+\$1911

Step 4. Fire Retardancy

NOCAL not fire retardant <input type="checkbox"/>	+\$0
133 fire retardant <input type="checkbox"/>	+\$98

Scissor Chair

SBSC-
SBSD-



HermanMiller Collection—Lounge Seating

Product Information

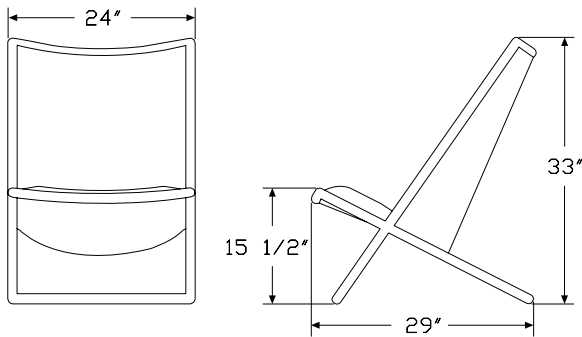
Description

The frame of this chair is solid ash. The seat has foam and Dacron® over plywood. The back is FR foam over hardwood insert.

Notes

Customers Own Material (COM) requires 3½ yards. Customers Own Leather (COL) requires 58 square feet. See Order Information in Appendices.

Dimensions



Specification Information

Step 1.

SBS

Step 2. Frame

C-1098 solid ash

D-1099 welded tubular steel

Prices for Steps 1-2.

SBSC-1098 \$2470

SBSD-1099 \$2760

Step 3. Wood Finish

For solid ash (C-1098)

Premium Veneer - Low Sheen

932	sundance anigre <input type="checkbox"/>	+\$0
933	caramel anigre <input type="checkbox"/>	+\$0
934	henna anigre <input type="checkbox"/>	+\$0
940	sundance cherry on maple <input type="checkbox"/>	+\$0
943	caramel cherry <input type="checkbox"/>	+\$0
946	cocoa cherry <input type="checkbox"/>	+\$0
956	cocoa sapele <input type="checkbox"/>	+\$0
962	toasted walnut, low sheen <input type="checkbox"/>	+\$0
963	charred walnut, low sheen <input type="checkbox"/>	+\$0
964	bronzed walnut, low sheen <input type="checkbox"/>	+\$0
965	smoked walnut, low sheen <input type="checkbox"/>	+\$0
966	coffee walnut, low sheen <input type="checkbox"/>	+\$0
967	smoked paldao, low sheen <input type="checkbox"/>	+\$0
969	warm paldao, low sheen <input type="checkbox"/>	+\$0
972	sundance walnut <input type="checkbox"/>	+\$0
977	chocolate ash, low sheen <input type="checkbox"/>	+\$0
98R	recograin rosewood <input type="checkbox"/>	+\$0
991	champagne ash <input type="checkbox"/>	+\$0
998	ebony ash <input type="checkbox"/>	+\$0
99A	recograin frosty ash <input type="checkbox"/>	+\$0
99R	recograin rosewood <input type="checkbox"/>	+\$0
99T	recograin teak <input type="checkbox"/>	+\$0
9A1	white ash, quarter cut, low sheen <input type="checkbox"/>	+\$0
9K1	rift oak, rift cut, low sheen <input type="checkbox"/>	+\$0
9K6	burnt oak, rift cut, low sheen <input type="checkbox"/>	+\$0
ED	aged cherry <input type="checkbox"/>	+\$0
EK	medium red walnut <input type="checkbox"/>	+\$0
G2U	light brown walnut, low sheen <input type="checkbox"/>	+\$0
G40	dark brown walnut, low sheen <input type="checkbox"/>	+\$0
UX	walnut on cherry <input type="checkbox"/>	+\$0

Premium Veneer - Matte		
662	toasted walnut, matte sheen <input type="checkbox"/> A	+\$0
663	charred walnut, matte sheen <input type="checkbox"/> A	+\$0
664	bronzed walnut, matte sheen <input type="checkbox"/> A	+\$0
665	smoked walnut, matte sheen <input type="checkbox"/> A	+\$0
666	coffee walnut, matte sheen <input type="checkbox"/> A	+\$0
667	smoked paldao, quarter cut, matte sheen <input type="checkbox"/> A	+\$0
669	warm paldao, quarter cut, matte sheen <input type="checkbox"/> A	+\$0
66A	recograin frosty ash <input type="checkbox"/> A	+\$0
677	chocolate ash, matte sheen <input type="checkbox"/> A	+\$0
68R	recograin rosewood <input type="checkbox"/> A	+\$0
69A	recograin frosty ash <input type="checkbox"/> A	+\$0
69R	recograin rosewood <input type="checkbox"/> A	+\$0
69T	recograin teak <input type="checkbox"/> A	+\$0
6A1	white ash <input type="checkbox"/> A	+\$0
6K1	rift oak <input type="checkbox"/> A	+\$0
6K6	burnt oak <input type="checkbox"/> A	+\$0
ET	clear on ash <input type="checkbox"/> A	+\$0
EU	oak on ash <input type="checkbox"/> A	+\$0
EV	walnut on ash <input type="checkbox"/> A	+\$0
GOU	natural walnut, flat cut, matte sheen <input type="checkbox"/> A	+\$0

RecoGrain Veneer		
66G	recograin wenge <input type="checkbox"/> A	+\$0
68W	recograin walnut, flat cut, matte sheen <input type="checkbox"/> A	+\$0
69G	recograin wenge <input type="checkbox"/> A	+\$0
69W	recograin walnut, quarter cut, matte sheen <input type="checkbox"/> A	+\$0

Recon Veneer -		
96G	wenge recograin, quarter cut, low sheen <input type="checkbox"/> A	+\$0
98W	recograin walnut, flat cut, low sheen <input type="checkbox"/> A	+\$0
99G	recograin wenge, quarter cut, low sheen <input type="checkbox"/> A	+\$0
99W	recograin walnut, quarter cut, low sheen <input type="checkbox"/> A	+\$0

Step 4. Upholstery	
Price Category (Geiger) 1	+\$137
Price Category 1	+\$0
Price Category (Geiger) 2	+\$0
Price Category 2	+\$165
Price Category (Geiger) 3	+\$207
Price Category 3	+\$207
Price Category (Geiger) 4	+\$252
Price Category 4	+\$252
Price Category (Geiger) 5	+\$368
Price Category 5	+\$368
Price Category (Geiger) 6	+\$483
Price Category (Geiger) 7	+\$599

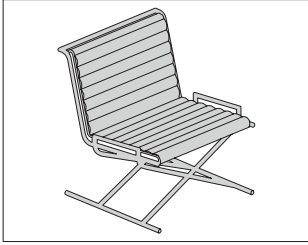
Price Category (Geiger) 8	+\$917
Price Category (Geiger) 9	+\$1138
Price Category 9	+\$1138
Price Category (Geiger) 10	+\$1309
Price Category (Geiger) 11	+\$1467
Price Category (Geiger) 14	+\$1922
Price Category (Geiger) A	+\$193
Price Category (Geiger) B	+\$210
Price Category (Geiger) C	+\$228
Price Category (Geiger) D	+\$263
Price Category (Geiger) E	+\$298
Price Category (Geiger) F	+\$333
Price Category (Geiger) G	+\$368
Price Category (Geiger) H	+\$403
Price Category (Geiger) I	+\$732
Price Category (Geiger) J	+\$455
Price Category (Geiger) K	+\$508
Price Category (Geiger) L	+\$560
Price Category (Geiger) M	+\$630
Price Category (Geiger) N	+\$700
Price Category (Geiger) O	+\$1488
Price Category (Geiger) P	+\$770
Price Category (Geiger) Q	+\$1463
Price Category (Geiger) R	+\$2590
Price Category (Geiger) S	+\$2783
Price Category (Geiger) U	+\$3168
Price Category (Geiger) V	+\$3360
Price Category (Geiger) X	+\$3745
Price Category (Geiger) Y	+\$3938
Price Category (Geiger) COM <input type="checkbox"/> A	+\$0
Price Category (Geiger) COL <input type="checkbox"/> A	+\$252

Step 5. Base Finish	
<i>For welded tubular steel (D-1099)</i>	
CHR chrome <input type="checkbox"/> A	+\$0
SAC satin chrome <input type="checkbox"/> A	+\$0

Step 6. Fire Retardancy	
NOCAL not fire retardant <input type="checkbox"/> A	+\$0
133 fire retardant <input type="checkbox"/> A	+\$228

Sled Chair

SBSU-



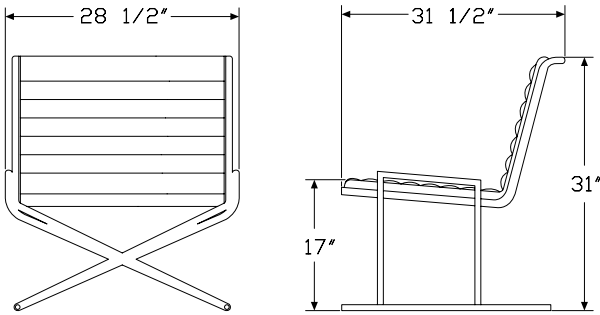
HermanMiller Collection—Lounge Seating

Product Information

Description
 This chair has a welded tubular steel frame. The seat consists of foam and Dacron® over plywood. The back is FR foam over hardwood insert.

Notes
 Customers Own Material (COM) requires 3 yards. Customers Own Leather (COL) requires 54 square feet. See Order Information in Appendices.

Dimensions



Specification Information

Step 1.

SBS **A**

Step 2. Material

U-1060 upholstery **A**

Prices for Steps 1-2.

SBSU-1060 \$4140

Step 3. Upholstery

Price Category (Geiger) 1	+\$117
Price Category 1	+\$0
Price Category (Geiger) 2	+\$141
Price Category 2	+\$141
Price Category (Geiger) 3	+\$177
Price Category 3	+\$207
Price Category (Geiger) 4	+\$216
Price Category 4	+\$216
Price Category (Geiger) 5	+\$315
Price Category 5	+\$315
Price Category (Geiger) 6	+\$414
Price Category (Geiger) 7	+\$513
Price Category (Geiger) 8	+\$786
Price Category (Geiger) 9	+\$975
Price Category 9	+\$975
Price Category (Geiger) 10	+\$1122
Price Category (Geiger) 11	+\$1257
Price Category (Geiger) 14	+\$1647
Price Category (Geiger) A	+\$165
Price Category (Geiger) B	+\$180
Price Category (Geiger) C	+\$195
Price Category (Geiger) D	+\$225
Price Category (Geiger) E	+\$255
Price Category (Geiger) F	+\$285
Price Category (Geiger) G	+\$315
Price Category (Geiger) H	+\$345
Price Category (Geiger) I	+\$627
Price Category (Geiger) J	+\$390
Price Category (Geiger) K	+\$435
Price Category (Geiger) L	+\$480
Price Category (Geiger) M	+\$540
Price Category (Geiger) N	+\$600
Price Category (Geiger) O	+\$1275
Price Category (Geiger) P	+\$660
Price Category (Geiger) Q	+\$1350
Price Category (Geiger) R	+\$2220

Sled Chair *continued*

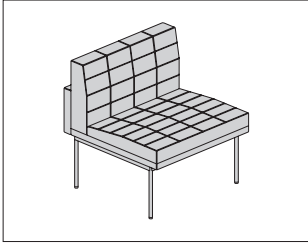
Price Category (Geiger) S		+\$2385
Price Category (Geiger) V		+\$2880
Price Category (Geiger) X		+\$3210
Price Category (Geiger) COM	<input type="checkbox"/>	+\$0
Price Category (Geiger) COL	<input type="checkbox"/>	+\$216

Step 4. Base Finish		
BNZ	bronze <input type="checkbox"/>	+\$0
CHR	chrome <input type="checkbox"/>	+\$0
SAC	satin chrome <input type="checkbox"/>	+\$0

Step 5. Fire Retardancy		
NOCAL	not fire retardant <input type="checkbox"/>	+\$0
133	fire retardant <input type="checkbox"/>	+\$195

Tuxedo Component Lounge™ Club Chair

ST1AN
ST1AQ
ST1NN
ST1NQ



Product Information

Description

This club chair has a foam and Dacron® seat with a painted or plated steel base.

Notes

Customer's Own Material (COM)/Customer's Own Leather (COL) requires the following:

Type—COM—COL

ST1NN—3¾ yards—67½ square feet

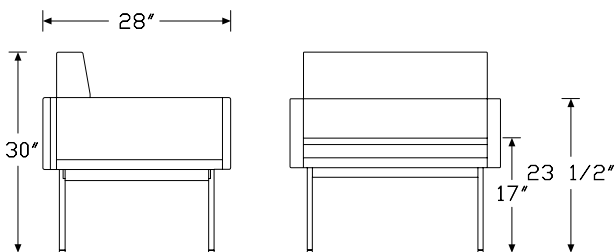
ST1NQ—3¾ yards—67½ square feet

ST1AN—5½ yards—99 square feet

ST1AQ—5½ yards—99 square feet

See Order Information in Appendices for more information.

Dimensions



Specification Information

Step 1.

ST1 **A**

Step 2. Arms

N no arms **A**

A arms **A**

Step 3. Upholstery Type

N not quilted **A**

Q quilted **A**

Prices for Steps 1-3.

ST1NN	\$2200
ST1NQ	\$2365
ST1AN	\$2785
ST1AQ	\$2895

Step 4. Upholstery

For not quilted (N)

	N	A
Price Category (Geiger) 1	+\$146	215
Price Category 1	+\$0	0
Price Category (Geiger) 2	+\$176	259
Price Category 2	+\$176	259
Price Category (Geiger) 3	+\$221	325
Price Category 3	+\$221	325
Price Category (Geiger) 4	+\$270	396
Price Category 4	+\$270	396
Price Category (Geiger) 5	+\$394	578
Price Category 5	+\$394	578
Price Category (Geiger) 6	+\$518	759
Price Category (Geiger) 7	+\$641	941
Price Category (Geiger) 8	+\$983	1441
Price Category (Geiger) 9	+\$1219	1788
Price Category 9	+\$1788	1788
Price Category (Geiger) 10	+\$1403	2057
Price Category (Geiger) 11	+\$1571	2305
Price Category 14	+\$2059	3020
Price Category (Geiger) A	+\$124	182
Price Category (Geiger) C	+\$199	292
Price Category (Geiger) D	+\$263	385
Price Category (Geiger) E	+\$319	468
Price Category (Geiger) F	+\$383	561
Price Category (Geiger) G	+\$521	765
Price Category (Geiger) H	+\$649	952

Tuxedo Component Lounge™ Club Chair *continued*

Price Category (Geiger) I	+\$784	1150
Price Category (Geiger) J	+\$919	1348
Price Category (Geiger) K	+\$1054	1546
Price Category (Geiger) L	+\$1189	1744
Price Category (Geiger) M	+\$1324	1942
Price Category (Geiger) N	+\$1459	2140
Price Category (Geiger) O	+\$1594	2338
Price Category (Geiger) P	+\$1725	2530
Price Category (Geiger) Q	+\$1991	2921
Price Category (Geiger) R	+\$3188	4070
Price Category (Geiger) S	+\$2981	4373
Price Category (Geiger) V	+\$3600	5280
Price Category (Geiger) X	+\$4013	5885
Price Category (Geiger) Y	+\$4219	6188
Price Category (Geiger) COM <input type="checkbox"/>	+\$0	0
Price Category (Geiger) COL <input type="checkbox"/>	+\$270	396

For quilted (Q)

	N	A
Price Category (Geiger) 1	+\$146	215
Price Category 1	+\$0	0
Price Category (Geiger) 2	+\$176	259
Price Category 2	+\$176	259
Price Category (Geiger) 3	+\$221	325
Price Category 3	+\$221	325
Price Category (Geiger) 4	+\$270	396
Price Category 4	+\$270	396
Price Category (Geiger) 5	+\$394	578
Price Category 5	+\$394	578
Price Category (Geiger) 6	+\$518	759
Price Category (Geiger) 7	+\$641	941
Price Category (Geiger) 8	+\$983	1441
Price Category (Geiger) 9	+\$1219	1788
Price Category 9	+\$1788	1788
Price Category (Geiger) 10	+\$1403	2057
Price Category (Geiger) 11	+\$1571	2305
Price Category 14	+\$2059	3020
Price Category (Geiger) A	+\$124	182
Price Category (Geiger) C	+\$199	292
Price Category (Geiger) D	+\$263	385
Price Category (Geiger) E	+\$319	468
Price Category (Geiger) F	+\$383	561
Price Category (Geiger) G	+\$521	765
Price Category (Geiger) H	+\$649	952
Price Category (Geiger) I	+\$784	1150
Price Category (Geiger) J	+\$919	1348
Price Category (Geiger) K	+\$1054	1546

Price Category (Geiger) L	+\$1189	1744
Price Category (Geiger) M	+\$1324	1942
Price Category (Geiger) N	+\$1459	2140
Price Category (Geiger) O	+\$1594	2338
Price Category (Geiger) P	+\$1725	2530
Price Category (Geiger) Q	+\$1991	2921
Price Category (Geiger) R	+\$3188	4070
Price Category (Geiger) S	+\$2981	4373
Price Category (Geiger) V	+\$3600	5280
Price Category (Geiger) COM <input type="checkbox"/>	+\$0	0
Price Category (Geiger) COL <input type="checkbox"/>	+\$270	396

Step 5. Base Finish

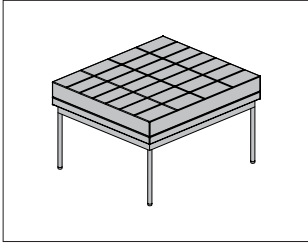
926 black <input type="checkbox"/>	+\$0
AS arctic silver <input type="checkbox"/>	+\$0
WHT white <input type="checkbox"/>	+\$0
BNZ bronze <input type="checkbox"/>	+\$295
CHR chrome <input type="checkbox"/>	+\$295
SAC satin chrome <input type="checkbox"/>	+\$295

Step 6. Fire Retardancy

	N	A
NOCAL not fire retardant <input type="checkbox"/>	+\$0	0
133 fire retardant <input type="checkbox"/>	+\$244	358

Tuxedo Component Lounge™
Ottoman

ST1BN
ST1BQ



HermanMiller Collection—Lounge Seating

Product Information

Description

This 17"-high ottoman has a foam and Dacron® seat with a painted or plated steel base.

Notes

Customer's Own Material (COM)/Customer's Own Leather (COL) requires the following:

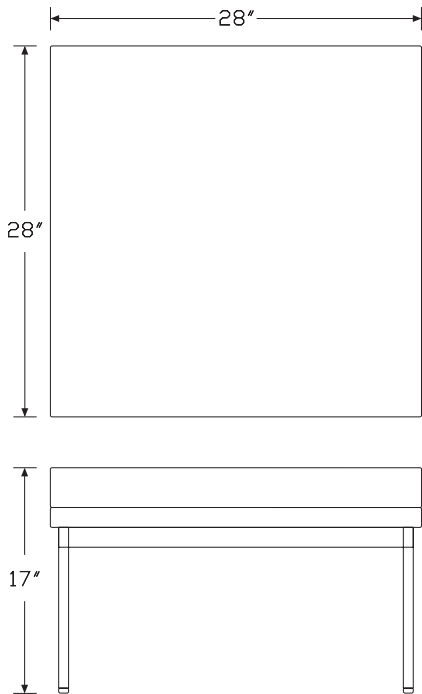
Type—COM—COL

Not quilted—1½ yards—27 square feet

Quilted—1½ yards—27 square feet

See Order Information in Appendices for more information.

Dimensions



Specification Information

Step 1.

ST1B A

Step 2. Upholstery Type

N not quilted A

Q quilted A

Prices for Steps 1-2.

ST1BN	\$1245
ST1BQ	\$1275

Step 3. Upholstery

For quilted (Q)

Price Category (Geiger) 1	+\$20
Price Category 1	+\$0
Price Category (Geiger) 2	+\$71
Price Category 2	+\$71
Price Category (Geiger) 3	+\$89
Price Category 3	+\$89
Price Category (Geiger) 4	+\$108
Price Category 4	+\$108
Price Category (Geiger) 5	+\$158
Price Category 5	+\$158
Price Category (Geiger) 6	+\$207
Price Category (Geiger) 7	+\$257
Price Category (Geiger) 8	+\$393
Price Category (Geiger) 9	+\$488
Price Category 9	+\$488
Price Category (Geiger) 10	+\$561
Price Category (Geiger) 11	+\$629
Price Category (Geiger) 14	+\$824
Price Category (Geiger) A	+\$50
Price Category (Geiger) C	+\$80
Price Category (Geiger) D	+\$105
Price Category (Geiger) E	+\$128
Price Category (Geiger) F	+\$153
Price Category (Geiger) G	+\$209
Price Category (Geiger) H	+\$260
Price Category (Geiger) I	+\$314
Price Category (Geiger) J	+\$368
Price Category (Geiger) K	+\$422
Price Category (Geiger) L	+\$476
Price Category (Geiger) M	+\$530
Price Category (Geiger) N	+\$584
Price Category (Geiger) O	+\$638

Tuxedo Component Lounge™ Ottoman *continued*

Price Category (Geiger) P	+\$690
Price Category (Geiger) Q	+\$797
Price Category (Geiger) R	+\$1110
Price Category (Geiger) S	+\$1193
Price Category (Geiger) V	+\$1440
Price Category (Geiger) COM <input type="checkbox"/>	+\$0
Price Category (Geiger) COL <input type="checkbox"/>	+\$108

For not quilted (N)

Price Category (Geiger) 1	+\$20
Price Category 1	+\$0
Price Category (Geiger) 2	+\$71
Price Category 2	+\$71
Price Category (Geiger) 3	+\$89
Price Category 3	+\$89
Price Category (Geiger) 4	+\$108
Price Category 4	+\$108
Price Category (Geiger) 5	+\$158
Price Category 5	+\$158
Price Category (Geiger) 6	+\$207
Price Category (Geiger) 7	+\$257
Price Category (Geiger) 8	+\$393
Price Category (Geiger) 9	+\$488
Price Category 9	+\$488
Price Category (Geiger) 10	+\$561
Price Category (Geiger) 11	+\$629
Price Category (Geiger) 14	+\$824
Price Category (Geiger) A	+\$50
Price Category (Geiger) C	+\$80
Price Category (Geiger) D	+\$105
Price Category (Geiger) E	+\$128
Price Category (Geiger) F	+\$153
Price Category (Geiger) G	+\$209
Price Category (Geiger) H	+\$260
Price Category (Geiger) I	+\$314
Price Category (Geiger) J	+\$368
Price Category (Geiger) K	+\$422
Price Category (Geiger) L	+\$476
Price Category (Geiger) M	+\$530
Price Category (Geiger) N	+\$584
Price Category (Geiger) O	+\$638
Price Category (Geiger) P	+\$690
Price Category (Geiger) Q	+\$797
Price Category (Geiger) R	+\$1110
Price Category (Geiger) S	+\$1193
Price Category (Geiger) V	+\$1440
Price Category (Geiger) X	+\$1605

Price Category (Geiger) Y	+\$1688
Price Category (Geiger) COM <input type="checkbox"/>	+\$0
Price Category (Geiger) COL <input type="checkbox"/>	+\$108

Step 4. Base Finish

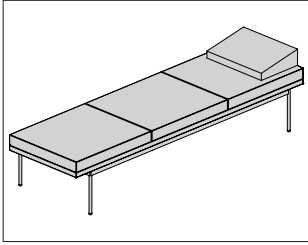
926 black <input type="checkbox"/>	+\$0
AS arctic silver <input type="checkbox"/>	+\$0
WHT white <input type="checkbox"/>	+\$0
BNZ bronze <input type="checkbox"/>	+\$295
CHR chrome <input type="checkbox"/>	+\$295
SAC satin chrome <input type="checkbox"/>	+\$295

Step 5. Fire Retardancy

NOCAL not fire retardant <input type="checkbox"/>	+\$0
133 fire retardant <input type="checkbox"/>	+\$98

Tuxedo Component Lounge™
Daybed

ST3DN
ST3DQ



HermanMiller Collection—Lounge Seating

Product Information

Description

This 17"-high daybed has a foam and Dacron® seat with a painted or plated steel base.

Notes

Customer's Own Material (COM)/Customer's Own Leather (COL) requires the following:

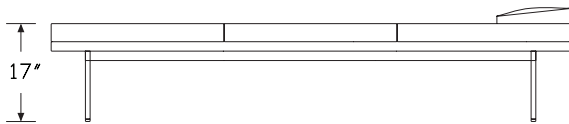
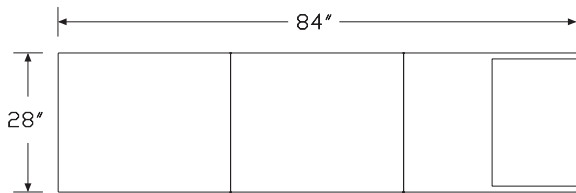
Type—COM—COL

Not quilted—6½ yards—117 square feet

Quilted—6½ yards—117 square feet

See Order Information in Appendices for more information.

Dimensions



Specification Information

Step 1.

ST3D A

Step 2. Upholstery Type

N not quilted A

Q quilted A

Prices for Steps 1-2.

ST3DN	\$3120
ST3DQ	\$3185

Step 3. Upholstery

For quilted (Q)

Price Category (Geiger) 1	+\$254
Price Category 1	+\$0
Price Category (Geiger) 2	+\$306
Price Category 2	+\$306
Price Category (Geiger) 3	+\$384
Price Category 3	+\$384
Price Category (Geiger) 4	+\$468
Price Category 4	+\$468
Price Category (Geiger) 5	+\$683
Price Category 5	+\$683
Price Category (Geiger) 6	+\$897
Price Category (Geiger) 7	+\$1112
Price Category (Geiger) 8	+\$1703
Price Category (Geiger) 9	+\$2113
Price Category 9	+\$2113
Price Category (Geiger) 10	+\$2431
Price Category (Geiger) 11	+\$2724
Price Category (Geiger) 14	+\$3569
Price Category (Geiger) A	+\$215
Price Category (Geiger) C	+\$345
Price Category (Geiger) D	+\$455
Price Category (Geiger) E	+\$553
Price Category (Geiger) F	+\$663
Price Category (Geiger) G	+\$904
Price Category (Geiger) H	+\$1125
Price Category (Geiger) I	+\$1359
Price Category (Geiger) J	+\$1593
Price Category (Geiger) K	+\$1827
Price Category (Geiger) L	+\$2061
Price Category (Geiger) M	+\$2295
Price Category (Geiger) N	+\$2529
Price Category (Geiger) O	+\$2763

Tuxedo Component Lounge™

Daybed *continued*

Price Category (Geiger) P	+\$2990
Price Category (Geiger) Q	+\$3452
Price Category (Geiger) R	+\$4810
Price Category (Geiger) S	+\$5168
Price Category (Geiger) V	+\$6240
Price Category (Geiger) COM <input type="checkbox"/>	+\$0
Price Category (Geiger) COL <input type="checkbox"/>	+\$468

For not quilted (N)

Price Category (Geiger) 1	+\$254
Price Category 1	+\$0
Price Category (Geiger) 2	+\$306
Price Category 2	+\$306
Price Category (Geiger) 3	+\$384
Price Category 3	+\$384
Price Category (Geiger) 4	+\$468
Price Category 4	+\$468
Price Category (Geiger) 5	+\$683
Price Category 5	+\$683
Price Category (Geiger) 6	+\$897
Price Category (Geiger) 7	+\$1112
Price Category (Geiger) 8	+\$1703
Price Category (Geiger) 9	+\$2113
Price Category 9	+\$2113
Price Category (Geiger) 10	+\$2431
Price Category (Geiger) 11	+\$2724
Price Category (Geiger) 14	+\$3569
Price Category (Geiger) A	+\$215
Price Category (Geiger) C	+\$345
Price Category (Geiger) D	+\$455
Price Category (Geiger) E	+\$553
Price Category (Geiger) F	+\$663
Price Category (Geiger) G	+\$904
Price Category (Geiger) H	+\$1125
Price Category (Geiger) I	+\$1359
Price Category (Geiger) J	+\$1593
Price Category (Geiger) K	+\$1827
Price Category (Geiger) L	+\$2061
Price Category (Geiger) M	+\$2295
Price Category (Geiger) N	+\$2529
Price Category (Geiger) O	+\$2763
Price Category (Geiger) P	+\$2990
Price Category (Geiger) Q	+\$3452
Price Category (Geiger) R	+\$4810
Price Category (Geiger) S	+\$5168
Price Category (Geiger) V	+\$6240
Price Category (Geiger) X	+\$6955

Price Category (Geiger) Y	+\$7313
Price Category (Geiger) COM <input type="checkbox"/>	+\$0
Price Category (Geiger) COL <input type="checkbox"/>	+\$468

Step 4. Base Finish

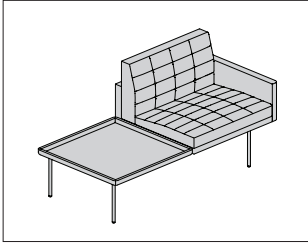
926 black <input type="checkbox"/>	+\$0
AS arctic silver <input type="checkbox"/>	+\$0
WHT white <input type="checkbox"/>	+\$0
BNZ bronze <input type="checkbox"/>	+\$645
CHR chrome <input type="checkbox"/>	+\$645
SAC satin chrome <input type="checkbox"/>	+\$645

Step 5. Fire Retardancy

NOCAL not fire retardant <input type="checkbox"/>	+\$0
133 fire retardant <input type="checkbox"/>	+\$358

Tuxedo Component Lounge with Table - One Seat

SX1AL
SX1AR
SX1NL
SX1NR



Product Information

Description

This 1-seat lounge with table has a steel plated metal base with cushions made of polyfoam and DACRON®. Cushions are quilted or not quilted. The unit is available with an arm on 1 side, or without arms, and with the table on either the left or right side. Table top is solid wood 1½" thick. Fire retardant lounge meets CAL 133 requirements.

Notes

Handedness is determined from a seated position.

Customer's Own Material (COM)/Customer's Own Leather (COL) requires the following:

Type—COM—COL

SX1ALN—4¾ yards—85½ square feet

SX1ALQ—4¾ yards—85½ square feet

SX1ARN—4¾ yards—85½ square feet

SX1ARQ—4¾ yards—85½ square feet

SX1NLN—3¾ yards—67½ square feet

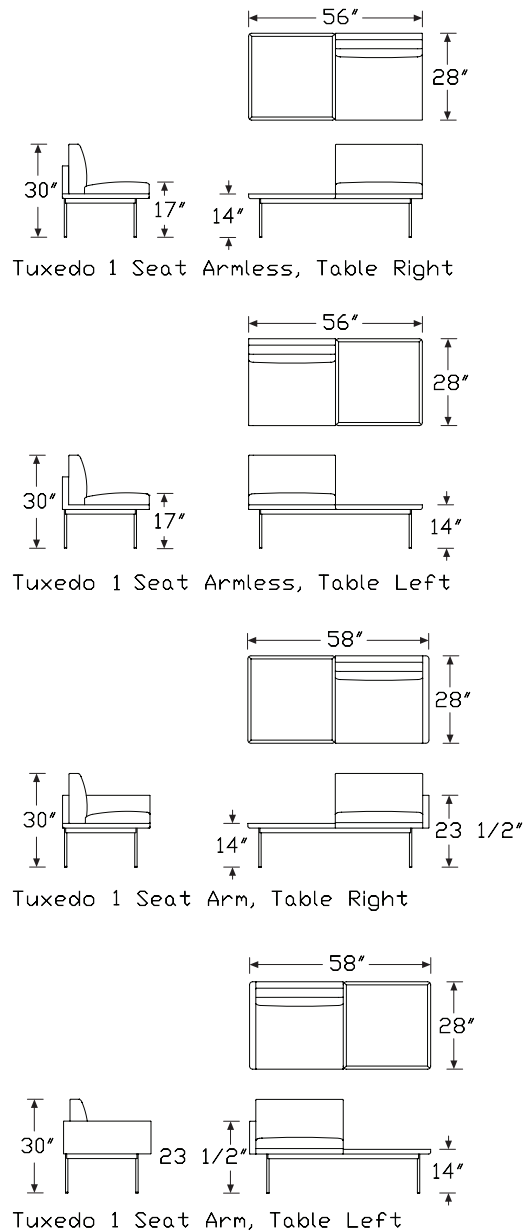
SX1NLQ—3¾ yards—67½ square feet

SX1NRN—3¾ yards—67½ square feet

SX1NRQ—3¾ yards—67½ square feet

See Order Information in Appendices for more information.

Dimensions



Tuxedo Component Lounge with Table - One Seat *continued*

Specification Information

Step 1.

SX1

Step 2. Arms

A arm 1 side

N no arms

Step 3. Handing

L seating left, table right

R seating right, table left

Step 4. Upholstery Type

N not quilted

Q quilted

Prices for Steps 1-4.

SX1AL N	\$3585
Q	\$3715

SX1AR N	\$3585
Q	\$3715

SX1NL N	\$3270
Q	\$3400

SX1NR N	\$3270
Q	\$3400

Step 5. Wood Finish

Matte Finishes

662	toasted walnut, matte sheen <input type="checkbox"/>	+ \$0
663	charred walnut, matte sheen <input type="checkbox"/>	+ \$0
664	bronzed walnut, matte sheen <input type="checkbox"/>	+ \$0
665	smoked walnut, matte sheen <input type="checkbox"/>	+ \$0
666	coffee walnut, matte sheen <input type="checkbox"/>	+ \$0
667	smoked paldao, quarter cut, matte sheen <input type="checkbox"/>	+ \$0
669	warm paldao, quarter cut, matte sheen <input type="checkbox"/>	+ \$0
66A	recograin frosty ash <input type="checkbox"/>	+ \$0
677	chocolate ash, matte sheen <input type="checkbox"/>	+ \$0
68R	recograin rosewood <input type="checkbox"/>	+ \$0
69A	recograin frosty ash <input type="checkbox"/>	+ \$0
69R	recograin rosewood <input type="checkbox"/>	+ \$0
69T	recograin teak <input type="checkbox"/>	+ \$0
6K1	rift oak <input type="checkbox"/>	+ \$0
ET	clear on ash <input type="checkbox"/>	+ \$0

EU	oak on ash <input type="checkbox"/>	+ \$0
EV	walnut on ash <input type="checkbox"/>	+ \$0
GOU	natural walnut, flat cut, matte sheen <input type="checkbox"/>	+ \$0
6A1	white ash <input type="checkbox"/>	+ \$0
6K6	burnt oak <input type="checkbox"/>	+ \$0
932	sundance anigre <input type="checkbox"/>	+ \$0
933	caramel anigre <input type="checkbox"/>	+ \$0
934	henna anigre <input type="checkbox"/>	+ \$0
940	sundance cherry on maple <input type="checkbox"/>	+ \$0
962	toasted walnut, low sheen <input type="checkbox"/>	+ \$0
963	charred walnut, low sheen <input type="checkbox"/>	+ \$0
964	bronzed walnut, low sheen <input type="checkbox"/>	+ \$0
965	smoked walnut, low sheen <input type="checkbox"/>	+ \$0
966	coffee walnut, low sheen <input type="checkbox"/>	+ \$0
967	smoked paldao, low sheen <input type="checkbox"/>	+ \$0
969	warm paldao, low sheen <input type="checkbox"/>	+ \$0
972	sundance walnut <input type="checkbox"/>	+ \$0
977	chocolate ash, low sheen <input type="checkbox"/>	+ \$0
98R	recograin rosewood <input type="checkbox"/>	+ \$0
991	champagne ash <input type="checkbox"/>	+ \$0
99A	recograin frosty ash <input type="checkbox"/>	+ \$0
99R	recograin rosewood <input type="checkbox"/>	+ \$0
99T	recograin teak <input type="checkbox"/>	+ \$0
9A1	white ash, quarter cut, low sheen <input type="checkbox"/>	+ \$0
9K1	rift oak, rift cut, low sheen <input type="checkbox"/>	+ \$0
9K6	burnt oak, rift cut, low sheen <input type="checkbox"/>	+ \$0
G2U	light brown walnut, low sheen <input type="checkbox"/>	+ \$0
G40	dark brown walnut, low sheen <input type="checkbox"/>	+ \$0
UX	walnut on cherry <input type="checkbox"/>	+ \$0
943	caramel cherry <input type="checkbox"/>	+ \$0
946	cocoa cherry <input type="checkbox"/>	+ \$0
956	cocoa sapele <input type="checkbox"/>	+ \$0
998	ebony ash <input type="checkbox"/>	+ \$0
ED	aged cherry <input type="checkbox"/>	+ \$0
EK	medium red walnut <input type="checkbox"/>	+ \$0

RecoGrain Veneer

66G	recograin wenge <input type="checkbox"/>	+ \$0
68W	recograin walnut, flat cut, matte sheen <input type="checkbox"/>	+ \$0
69G	recograin wenge <input type="checkbox"/>	+ \$0
69W	recograin walnut, quarter cut, matte sheen <input type="checkbox"/>	+ \$0

Recon Veneer -

96G	wenge recograin, quarter cut, low sheen <input type="checkbox"/>	+ \$0
98W	recograin walnut, flat cut, low sheen <input type="checkbox"/>	+ \$0
99G	recograin wenge, quarter cut, low sheen <input type="checkbox"/>	+ \$0
99W	recograin walnut, quarter cut, low sheen <input type="checkbox"/>	+ \$0

Tuxedo Component Lounge with Table - One Seat *continued*

HermanMiller Collection—Lounge Seating

Step 6. Fabric

For arm 1 side (A) with not quilted (N)

Price Category (Geiger) G	+\$0
Price Category (Geiger) COM A	+\$0
Price Category (Geiger) COL A	+\$342
Price Category 1	+\$0
Price Category (Geiger) 2	+\$0
Price Category 2	+\$223
Price Category (Geiger) 3	+\$280
Price Category 3	+\$280
Price Category (Geiger) 4	+\$342
Price Category (Geiger) 5	+\$499
Price Category 5	+\$499
Price Category (Geiger) 6	+\$656
Price Category (Geiger) 7	+\$812
Price Category (Geiger) 8	+\$1245
Price Category (Geiger) 9	+\$1544
Price Category 9	+\$1544
Price Category (Geiger) 10	+\$1777
Price Category 11	+\$1990
Price Category 14	+\$0
Price Category (Geiger) D	+\$333
Price Category (Geiger) H	+\$822
Price Category (Geiger) I	+\$993
Price Category (Geiger) K	+\$1335
Price Category (Geiger) L	+\$1506
Price Category (Geiger) M	+\$1677
Price Category (Geiger) R	+\$3515

For quilted (Q)

	A	N
Price Category (Geiger) COM A	+\$0	0
Price Category (Geiger) COL A	+\$342	270
Price Category 1	+\$0	0
Price Category (Geiger) 2	+\$0	0
Price Category 2	+\$223	176
Price Category (Geiger) 3	+\$280	221
Price Category 3	+\$280	221
Price Category (Geiger) 4	+\$342	270
Price Category (Geiger) 5	+\$499	394
Price Category 5	+\$499	394
Price Category (Geiger) 6	+\$656	518
Price Category (Geiger) 7	+\$812	641
Price Category (Geiger) 8	+\$1245	983
Price Category 9	+\$1544	1219
Price Category (Geiger) 10	+\$1777	1403
Price Category 11	+\$1990	1571
Price Category 14	+\$0	0
Price Category (Geiger) D	+\$333	263
Price Category (Geiger) G	+\$0	0
Price Category (Geiger) H	+\$822	649
Price Category (Geiger) I	+\$993	784
Price Category (Geiger) K	+\$1335	1054
Price Category (Geiger) L	+\$1506	1189
Price Category (Geiger) M	+\$1677	1324
Price Category (Geiger) R	+\$3515	2775

Tuxedo Component Lounge with Table - One Seat *continued*

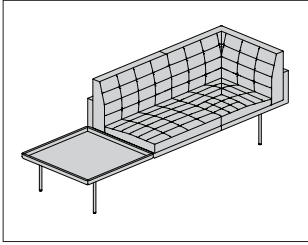
<i>For no arms (N) with not quilted (N)</i>		
Price Category (Geiger) COM	A	+\$0
Price Category (Geiger) COL	A	+\$270
Price Category 1		+\$0
Price Category (Geiger) 2		+\$0
Price Category 2		+\$176
Price Category (Geiger) 3		+\$221
Price Category 3		+\$221
Price Category (Geiger) 4		+\$270
Price Category (Geiger) 5		+\$394
Price Category 5		+\$394
Price Category (Geiger) 6		+\$518
Price Category (Geiger) 7		+\$641
Price Category (Geiger) 8		+\$983
Price Category (Geiger) 9		+\$1219
Price Category 9		+\$1219
Price Category (Geiger) 10		+\$1403
Price Category 11		+\$1571
Price Category 14		+\$0
Price Category (Geiger) D		+\$263
Price Category (Geiger) G		+\$0
Price Category (Geiger) H		+\$649
Price Category (Geiger) I		+\$784
Price Category (Geiger) K		+\$1054
Price Category (Geiger) L		+\$1189
Price Category (Geiger) M		+\$1324
Price Category (Geiger) R		+\$2775

Step 7. Base Finish			
926	black	A	+\$0
AS	arctic silver	A	+\$0
WHT	white	A	+\$0
BNZ	bronze	A	+\$645
CHR	chrome	A	+\$645
SAC	satin chrome	A	+\$645

Step 8. Fire Retardancy			A	N
NOCAL	no cal-133 required	A	+\$0	0
133	cal-133 required	A	+\$309	244

Tuxedo Component Lounge with Table - Two Seats

SX2AL
SX2AR
SX2CL
SX2CR
SX2NL
SX2NR



Product Information

Description

This 2-seat lounge with table has a steel plated metal base with cushions made of polyfoam and DACRON®. Cushions are quilted or not quilted. The unit is available with a corner on 1 side, an arm on 1 side, or without arms, and with the table on either the left or right side. Table top is solid wood 1½" thick. Fire retardant lounge meets CAL 133 requirements.

Notes

Handedness is determined from a seated position.

Customer's Own Material (COM)/Customer's Own Leather (COL) requires the following:

Type—COM—COL

SX2ALN—8½ yards—153 square feet

SX2ALQ—8½ yards—153 square feet

SX2ARN—8½ yards—153 square feet

SX2ARQ—8½ yards—153 square feet

SX2CLN—9¼ yards—166½ square feet

SX2CLQ—9¼ yards—166½ square feet

SX2CRN—9¼ yards—166½ square feet

SX2CRQ—9¼ yards—166½ square feet

SX2NLN—7½ yards—135 square feet

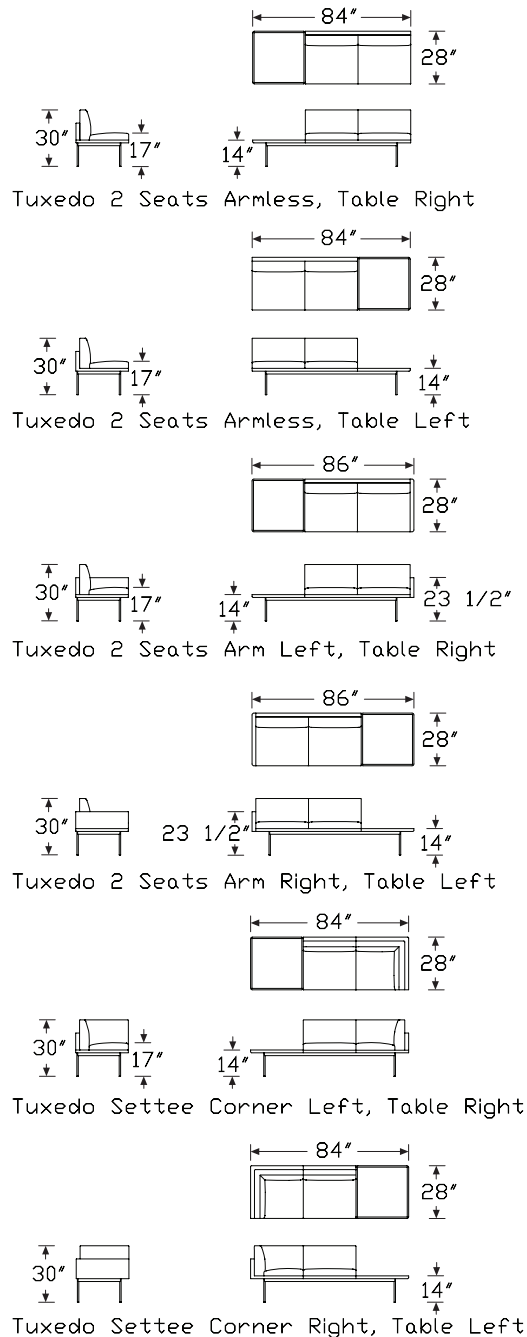
SX2NLQ—7½ yards—135 square feet

SX2NRN—7½ yards—135 square feet

SX2NRQ—7½ yards—135 square feet

See Order Information in Appendices for more information.

Dimensions



Tuxedo Component Lounge with Table - Two Seats *continued*

Specification Information

Step 1.

SX2 A

Step 2. Arms

A arm 1 side A

C corner 1 side A

N no arms A

Step 3. Handing

L seating left, table right A

R seating right, table left A

Step 4. Upholstery Type

N not quilted A

Q quilted A

Prices for Steps 1-4.

SX2AL	N	\$4670
	Q	\$4930

SX2AR	N	\$4670
	Q	\$4930

SX2CL	N	\$5235
	Q	\$5545

SX2CR	N	\$5235
	Q	\$5545

SX2NL	N	\$4360
	Q	\$4620

SX2NR	N	\$4360
	Q	\$4620

Step 5. Wood Finish

66G	recograin wenge <input type="checkbox"/> A	+\$0
68W	recograin walnut, flat cut, matte sheen <input type="checkbox"/> A	+\$0
69G	recograin wenge <input type="checkbox"/> A	+\$0
69W	recograin walnut, quarter cut, matte sheen <input type="checkbox"/> A	+\$0
96G	wenge recograin, quarter cut, low sheen <input type="checkbox"/> A	+\$0
98W	recograin walnut, flat cut, low sheen <input type="checkbox"/> A	+\$0
99G	recograin wenge, quarter cut, low sheen <input type="checkbox"/> A	+\$0
99W	recograin walnut, quarter cut, low sheen <input type="checkbox"/> A	+\$0

Matte Finishes

662	toasted walnut, matte sheen <input type="checkbox"/> A	+\$0
663	charred walnut, matte sheen <input type="checkbox"/> A	+\$0
664	bronzed walnut, matte sheen <input type="checkbox"/> A	+\$0
665	smoked walnut, matte sheen <input type="checkbox"/> A	+\$0
666	coffee walnut, matte sheen <input type="checkbox"/> A	+\$0
667	smoked paldao, quarter cut, matte sheen <input type="checkbox"/> A	+\$0
669	warm paldao, quarter cut, matte sheen <input type="checkbox"/> A	+\$0
66A	recograin frosty ash <input type="checkbox"/> A	+\$0
677	chocolate ash, matte sheen <input type="checkbox"/> A	+\$0
68R	recograin rosewood <input type="checkbox"/> A	+\$0
69A	recograin frosty ash <input type="checkbox"/> A	+\$0
69R	recograin rosewood <input type="checkbox"/> A	+\$0
69T	recograin teak <input type="checkbox"/> A	+\$0
6K1	rift oak <input type="checkbox"/> A	+\$0
ET	clear on ash <input type="checkbox"/> A	+\$0
EU	oak on ash <input type="checkbox"/> A	+\$0
EV	walnut on ash <input type="checkbox"/> A	+\$0
GOU	natural walnut, flat cut, matte sheen <input type="checkbox"/> A	+\$0
6A1	white ash <input type="checkbox"/> A	+\$0
6K6	burnt oak <input type="checkbox"/> A	+\$0
932	sundance anigre <input type="checkbox"/> A	+\$0
933	caramel anigre <input type="checkbox"/> A	+\$0
934	henna anigre <input type="checkbox"/> A	+\$0
940	sundance cherry on maple <input type="checkbox"/> A	+\$0
962	toasted walnut, low sheen <input type="checkbox"/> A	+\$0
963	charred walnut, low sheen <input type="checkbox"/> A	+\$0
964	bronzed walnut, low sheen <input type="checkbox"/> A	+\$0
965	smoked walnut, low sheen <input type="checkbox"/> A	+\$0
966	coffee walnut, low sheen <input type="checkbox"/> A	+\$0
967	smoked paldao, low sheen <input type="checkbox"/> A	+\$0
969	warm paldao, low sheen <input type="checkbox"/> A	+\$0
972	sundance walnut <input type="checkbox"/> A	+\$0
977	chocolate ash, low sheen <input type="checkbox"/> A	+\$0
98R	recograin rosewood <input type="checkbox"/> A	+\$0
991	champagne ash <input type="checkbox"/> A	+\$0
99A	recograin frosty ash <input type="checkbox"/> A	+\$0
99R	recograin rosewood <input type="checkbox"/> A	+\$0
99T	recograin teak <input type="checkbox"/> A	+\$0
9A1	white ash, quarter cut, low sheen <input type="checkbox"/> A	+\$0
9K1	rift oak, rift cut, low sheen <input type="checkbox"/> A	+\$0
G2U	light brown walnut, low sheen <input type="checkbox"/> A	+\$0
G40	dark brown walnut, low sheen <input type="checkbox"/> A	+\$0
UX	walnut on cherry <input type="checkbox"/> A	+\$0
943	caramel cherry <input type="checkbox"/> A	+\$0
946	cocoa cherry <input type="checkbox"/> A	+\$0
956	cocoa sapele <input type="checkbox"/> A	+\$0

Tuxedo Component Lounge with
Table - Two Seats *continued*

HermanMiller Collection—Lounge Seating

998	ebony ash A	+\$0
ED	aged cherry A	+\$0
EK	medium red walnut A	+\$0

Step 6. Fabric					
	AN	AQ	CN	CQ	NN
Price Category 1	+\$0	0	0	0	0
Price Category (Geiger) 2	+\$0	0	0	0	0
Price Category 2	+\$400	400	435	435	353
Price Category (Geiger) 3	+\$502	502	546	546	443
Price Category 3	+\$502	502	546	546	443
Price Category (Geiger) 4	+\$612	612	666	666	540
Price Category 4	+\$612	612	666	666	540
Price Category (Geiger) 5	+\$893	893	971	971	788
Price Category 5	+\$893	893	971	971	788
Price Category (Geiger) 6	+\$1173	1173	1277	1277	1035
Price Category (Geiger) 7	+\$1454	1454	1582	1582	1283
Price Category 7	+\$1454	1454	1582	1582	1283
Price Category (Geiger) 8	+\$2227	2227	2424	2424	1965
Price Category 9	+\$2763	2763	3006	3006	2438
Price Category (Geiger) 10	+\$3179	3179	3460	3460	2805
Price Category 11	+\$3562	3562	3876	3876	3143
Price Category 14	+\$0	0	0	0	0
Price Category (Geiger) D	+\$595	595	648	648	455
Price Category (Geiger) G	+\$0	0	0	0	0
Price Category (Geiger) H	+\$1182	1471	1600	1600	1298
Price Category (Geiger) I	+\$1471	1777	1933	1933	1568
Price Category (Geiger) K	+\$2083	2389	2599	2599	2108
Price Category (Geiger) L	+\$2389	2695	2932	2932	2378
Price Category (Geiger) M	+\$2695	3001	3265	3265	2648
Price Category (Geiger) R	+\$6290	6290	6845	6845	5550
Price Category (Geiger)	+\$0	0	0	0	0
COM A					
Price Category (Geiger)	+\$612	612	666	666	540
COL A					

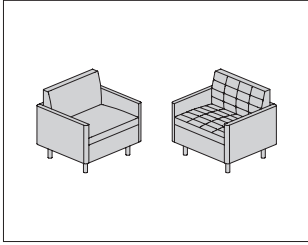
	NQ
Price Category 1	+\$0
Price Category (Geiger) 2	+\$0
Price Category 2	+\$353
Price Category (Geiger) 3	+\$443
Price Category 3	+\$443
Price Category (Geiger) 4	+\$540
Price Category 4	+\$540
Price Category (Geiger) 5	+\$788
Price Category 5	+\$788
Price Category (Geiger) 6	+\$1035
Price Category (Geiger) 7	+\$1283
Price Category 7	+\$1283
Price Category (Geiger) 8	+\$1965
Price Category 9	+\$2438
Price Category (Geiger) 10	+\$2805
Price Category 11	+\$3143
Price Category 14	+\$0
Price Category (Geiger) D	+\$455
Price Category (Geiger) G	+\$0
Price Category (Geiger) H	+\$1298
Price Category (Geiger) I	+\$1568
Price Category (Geiger) K	+\$2108
Price Category (Geiger) L	+\$2378
Price Category (Geiger) M	+\$2648
Price Category (Geiger) R	+\$5550
Price Category (Geiger) COM A	+\$0
Price Category (Geiger) COL A	+\$540

Step 7. Base Finish		
926	black A	+\$0
AS	arctic silver A	+\$0
WHT	white A	+\$0
BNZ	bronze A	+\$0
CHR	chrome A	+\$0
SAC	satin chrome A	+\$0

Step 8. Fire Retardancy				
		A	C	N
NOCAL	no cal-133 required A	+\$0	0	0
133	cal-133 required A	+\$553	601	488

Tuxedo Classic Club Chair

SZ1AB



Product Information

Description

This club chair has solid wood legs with cushions made of polyfoam and DACRON®. Cushions are quilted or not quilted. Fire retardant chair meets CAL 133 requirements.

Notes

Customer's Own Material (COM)/Customer's Own Leather (COL) requires the following:

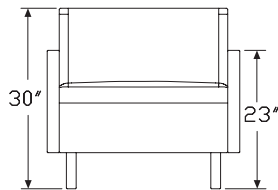
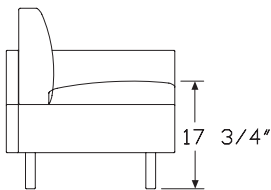
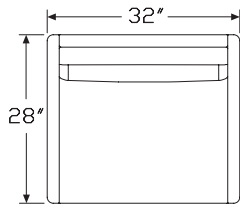
Type—COM—COL

Not quilted—6½ yards—117 square feet

Quilted—6½ yards—117 square feet

See Order Information in Appendices for more information.

Dimensions



Specification Information

Step 1.

SZ1 A

Step 2. Arms

AB arms on left and right A

Step 3. Upholstery Type

N not quilted A

Q quilted A

Prices for Steps 1-3.

SZ1AB N	\$2490
Q	\$2620

Step 4. Fabric

For not quilted (N)

Price Category (Geiger) COM <input type="checkbox"/> A	+\$0
Price Category (Geiger) COL <input type="checkbox"/> A	+\$468
Price Category 1	+\$0
Price Category (Geiger) 2	+\$306
Price Category 2	+\$306
Price Category (Geiger) 3	+\$384
Price Category 3	+\$384
Price Category (Geiger) 4	+\$468
Price Category (Geiger) 5	+\$683
Price Category 5	+\$683
Price Category (Geiger) 6	+\$897
Price Category (Geiger) 7	+\$1112
Price Category (Geiger) 8	+\$1703
Price Category (Geiger) 9	+\$2113
Price Category 9	+\$2113
Price Category (Geiger) 10	+\$2431
Price Category 11	+\$2724
Price Category 14	+\$0
Price Category (Geiger) D	+\$455
Price Category (Geiger) G	+\$904
Price Category (Geiger) H	+\$1125
Price Category (Geiger) I	+\$1359
Price Category (Geiger) K	+\$1827
Price Category (Geiger) L	+\$2061
Price Category (Geiger) M	+\$2295
Price Category (Geiger) R	+\$4810

Tuxedo Classic Club Chair *continued*

For quilted (Q)

Price Category (Geiger) COM A	+\$0
Price Category (Geiger) COL A	+\$468
Price Category 1	+\$0
Price Category (Geiger) 2	+\$306
Price Category 2	+\$306
Price Category (Geiger) 3	+\$384
Price Category 3	+\$384
Price Category (Geiger) 4	+\$468
Price Category (Geiger) 5	+\$683
Price Category 5	+\$683
Price Category (Geiger) 6	+\$897
Price Category (Geiger) 7	+\$1112
Price Category (Geiger) 8	+\$1703
Price Category 9	+\$2113
Price Category (Geiger) 10	+\$2431
Price Category 11	+\$2724
Price Category 14	+\$0
Price Category (Geiger) D	+\$455
Price Category (Geiger) G	+\$904
Price Category (Geiger) H	+\$1125
Price Category (Geiger) I	+\$1359
Price Category (Geiger) K	+\$1827
Price Category (Geiger) L	+\$2061
Price Category (Geiger) M	+\$2295
Price Category (Geiger) R	+\$4810

Step 5. Base Finish

66G recograin wenge A	+\$0
68W recograin walnut, flat cut, matte sheen A	+\$0
69G recograin wenge A	+\$0
69W recograin walnut, quarter cut, matte sheen A	+\$0
96G wenge recograin, quarter cut, low sheen A	+\$0
98W recograin walnut, flat cut, low sheen A	+\$0
99G recograin wenge, quarter cut, low sheen A	+\$0
99W recograin walnut, quarter cut, low sheen A	+\$0
932 sundance anigre A	+\$0
933 caramel anigre A	+\$0
934 henna anigre A	+\$0
940 sundance cherry on maple A	+\$0
962 toasted walnut, low sheen A	+\$0
963 charred walnut, low sheen A	+\$0
964 bronzed walnut, low sheen A	+\$0
965 smoked walnut, low sheen A	+\$0
966 coffee walnut, low sheen A	+\$0
967 smoked paldao, low sheen A	+\$0
969 warm paldao, low sheen A	+\$0

972 sundance walnut A	+\$0
977 chocolate ash, low sheen A	+\$0
98R recograin rosewood A	+\$0
991 champagne ash A	+\$0
99A recograin frosty ash A	+\$0
99R recograin rosewood A	+\$0
99T recograin teak A	+\$0
9A1 white ash, quarter cut, low sheen A	+\$0
9K1 rift oak, rift cut, low sheen A	+\$0
9K6 burnt oak, rift cut, low sheen A	+\$0
G2U light brown walnut, low sheen A	+\$0
G40 dark brown walnut, low sheen A	+\$0
UX walnut on cherry A	+\$0
943 caramel cherry A	+\$0
946 cocoa cherry A	+\$0
956 cocoa sapele A	+\$0
998 ebony ash A	+\$0
ED aged cherry A	+\$0
EK medium red walnut A	+\$0

Matte Finishes

662 toasted walnut, matte sheen A	+\$0
663 charred walnut, matte sheen A	+\$0
664 bronzed walnut, matte sheen A	+\$0
665 smoked walnut, matte sheen A	+\$0
666 coffee walnut, matte sheen A	+\$0
667 smoked paldao, quarter cut, matte sheen A	+\$0
669 warm paldao, quarter cut, matte sheen A	+\$0
66A recograin frosty ash A	+\$0
677 chocolate ash, matte sheen A	+\$0
68R recograin rosewood A	+\$0
69A recograin frosty ash A	+\$0
69R recograin rosewood A	+\$0
69T recograin teak A	+\$0
6K1 rift oak A	+\$0
ET clear on ash A	+\$0
EU oak on ash A	+\$0
EV walnut on ash A	+\$0
GOU natural walnut, flat cut, matte sheen A	+\$0
6A1 white ash A	+\$0
6K6 burnt oak A	+\$0

Step 6. Fire Retardancy

NOCAL no cal-133 required A	+\$0
133 cal-133 required A	+\$423

Striad High-Back Lounge Chair, CCL100
4-Star Base



Product Information

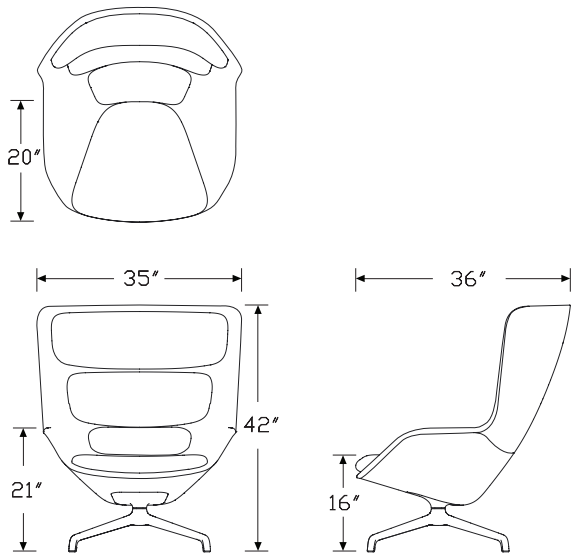
Description

This lounge chair has a high back, dual density foam cushions, and a 4-star aluminum base with a swivel-return feature. The outer shell provides rigidity and support while the inner shell provides flexibility for added movement and comfort.

Notes

Customer's Own Material (COM) requires 5 yards (2½ yards for shell, 2½ yards for cushions). Customer's Own Leather (COL) requires 90 square feet (45 sq ft for shell, 45 sq ft for cushions). See Order Information in appendices.

Dimensions



Specification Information

Step 1.

CCL100. A

Step 2. Base

S swivel, auto return A

Prices for Steps 1-2.

CCL100. S \$3395

Step 3. Base Finish

91 white A +\$0
BK black A +\$0
PA polished aluminum A +\$0

Step 4. Outer Shell Finish

91 white A +\$0
BK black A +\$0
WN warm grey neutral A +\$0

Step 5. Shell Upholstery

Price Category (Geiger) 5 +\$149
 Price Category 1 A +\$0
 Price Category 2 +\$16
 Price Category (Geiger) 3 +\$39
 Price Category (Geiger) 4 +\$88
 Price Category 5 +\$149
 Price Category 7 A +\$855
 Price Category (Geiger) 7 +\$277
 Price Category (Geiger) 8 +\$365
 Price Category 9 +\$455
 Price Category (Geiger) 10 +\$545
 Price Category (Geiger) 11 +\$635
 Price Category 11 +\$635
 Price Category B +\$76
 Price Category (Geiger) C +\$126
 Price Category D +\$135
 Price Category G +\$425
 Price Category H +\$526
 Price Category J +\$726

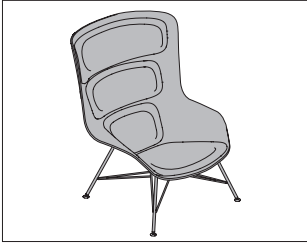
Striad High-Back Lounge Chair,
4-Star Base *continued*

HermanMiller Collection—Lounge Seating

Step 6. Cushion Upholstery		
Price Category (Geiger) 5		+\$149
Price Category 1	A	+\$0
Price Category (Geiger) 3		+\$39
Price Category (Geiger) 4		+\$88
Price Category 5		+\$149
Price Category 7	A	+\$855
Price Category (Geiger) 7		+\$277
Price Category (Geiger) 8		+\$365
Price Category 9		+\$455
Price Category (Geiger) 10		+\$545
Price Category 11		+\$635
Price Category (Geiger) 11		+\$635
Price Category B		+\$76
Price Category (Geiger) C		+\$93
Price Category D		+\$135
Price Category G		+\$425
Price Category H		+\$526
Price Category J		+\$726

Step 7. Fire Retardancy			
NFR	not fire retardant	A	+\$0
FR	fire retardant	A	+\$375

Striad High-Back Lounge Chair, CCL101
Wire Base



Product Information

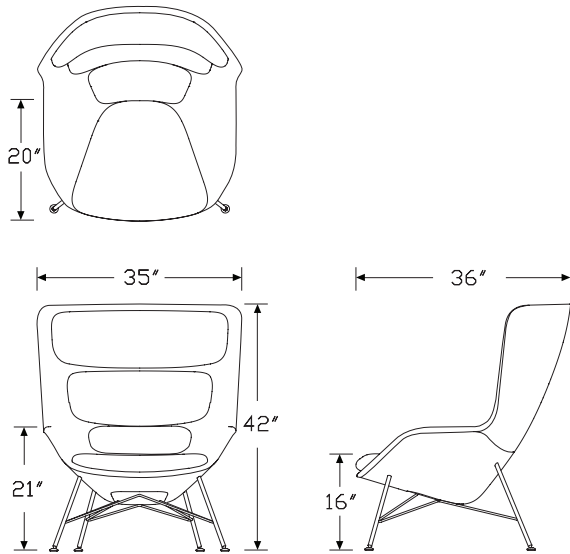
Description

This lounge chair has a high back, dual density foam cushions, and a 4-leg wire base. The outer shell provides rigidity and support while the inner shell provides flexibility for added movement and comfort.

Notes

Customer's Own Material (COM) requires 5 yards (2½ yards for shell, 2½ yards for cushions). Customer's Own Leather (COL) requires 90 square feet (45 sq ft for shell, 45 sq ft for cushions). See Order Information in appendices.

Dimensions



Specification Information

Step 1.

CCL101. A \$3175

Step 2. Base Finish

47 trivalent chrome A +\$0
91 white A +\$0
BK black A +\$0

Step 3. Outer Shell Finish

91 white A +\$0
BK black A +\$0
WN warm grey neutral A +\$0

Step 4. Shell Upholstery

Price Category D +\$135
 Price Category 1 A +\$0
 Price Category 2 +\$16
 Price Category 3 +\$0
 Price Category (Geiger) 3 +\$39
 Price Category (Geiger) 4 +\$88
 Price Category 5 +\$149
 Price Category (Geiger) 5 +\$149
 Price Category 7 +\$855
 Price Category (Geiger) 7 +\$277
 Price Category (Geiger) 8 +\$365
 Price Category 9 +\$455
 Price Category (Geiger) 10 +\$545
 Price Category 11 +\$635
 Price Category (Geiger) 11 +\$635
 Price Category B +\$76
 Price Category (Geiger) C +\$126
 Price Category G +\$425
 Price Category H +\$526
 Price Category J +\$726

Striad High-Back Lounge Chair,
Wire Base *continued*

HermanMiller Collection—Lounge Seating

Step 5. Cushion Upholstery			
Price Category D		+\$135	
Price Category 1	A	+\$0	
Price Category 2		+\$16	
Price Category 3		+\$0	
Price Category (Geiger) 3		+\$39	
Price Category (Geiger) 4		+\$88	
Price Category 5		+\$149	
Price Category (Geiger) 5		+\$149	
Price Category 7		+\$855	
Price Category (Geiger) 7		+\$277	
Price Category (Geiger) 8		+\$365	
Price Category 9		+\$455	
Price Category (Geiger) 10		+\$545	
Price Category 11		+\$635	
Price Category (Geiger) 11		+\$635	
Price Category B		+\$76	
Price Category (Geiger) C		+\$93	
Price Category G		+\$425	
Price Category H		+\$526	
Price Category J		+\$726	
Step 6. Fire Retardancy			
NFR	not fire retardant	A	+\$0
FR	fire retardant	A	+\$375

Striad Mid-Back Lounge Chair, CCL200
4-Star Base



Product Information

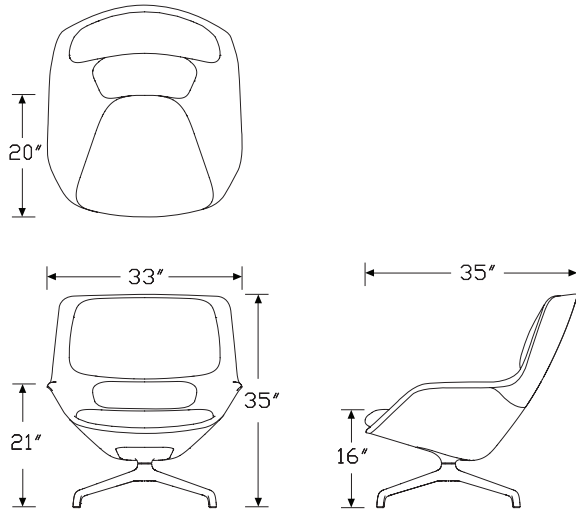
Description

This lounge chair has a mid back, dual density foam cushions, and a 4-star aluminum base with a swivel-return feature. The outer shell provides rigidity and support while the inner shell provides flexibility for added movement and comfort.

Notes

Customer's Own Material (COM) requires 3 1/2 yards (1 3/4 yards for shell, 1 3/4 yards for cushions). Customer's Own Leather (COL) requires 63 square feet (31 1/2 sq ft for shell, 31 1/2 sq ft for cushions). See Order Information in appendices.

Dimensions



Specification Information

Step 1.

CCL200. A

Step 2. Base

S swivel, auto return A

Prices for Steps 1-2.

CCL200. S \$2995

Step 3. Base Finish

91 white A +\$0
BK black A +\$0
PA polished aluminum A +\$0

Step 4. Outer Shell Finish

91 white A +\$0
BK black A +\$0
WN warm grey neutral A +\$0

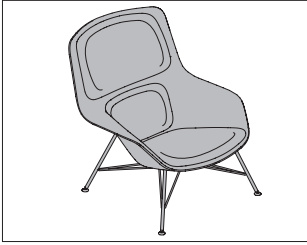
Step 5. Shell Upholstery

Price Category D +\$245
 Price Category 1 A +\$0
 Price Category 2 +\$11
 Price Category 3 +\$0
 Price Category (Geiger) 3 +\$27
 Price Category (Geiger) 4 +\$62
 Price Category 5 +\$102
 Price Category (Geiger) 5 +\$102
 Price Category 7 +\$599
 Price Category (Geiger) 7 +\$194
 Price Category (Geiger) 8 +\$256
 Price Category 9 +\$319
 Price Category (Geiger) 10 +\$382
 Price Category 11 +\$445
 Price Category (Geiger) 11 +\$445
 Price Category B +\$53
 Price Category (Geiger) C +\$88
 Price Category G +\$298
 Price Category H +\$368
 Price Category J +\$508

Striad Mid-Back Lounge Chair,
4-Star Base *continued*

Step 6. Cushion Upholstery		
	Price Category D	+\$245
	Price Category 1 <input type="checkbox"/> A	+\$0
	Price Category 2	+\$11
	Price Category 3	+\$0
	Price Category (Geiger) 3	+\$27
	Price Category (Geiger) 4	+\$62
	Price Category 5	+\$102
	Price Category (Geiger) 5	+\$102
	Price Category 7	+\$599
	Price Category (Geiger) 7	+\$194
	Price Category (Geiger) 8	+\$256
	Price Category 9	+\$319
	Price Category (Geiger) 10	+\$382
	Price Category 11	+\$445
	Price Category (Geiger) 11	+\$445
	Price Category B	+\$53
	Price Category (Geiger) C	+\$80
	Price Category G	+\$298
	Price Category H	+\$368
	Price Category J	+\$508
Step 7. Fire Retardancy		
NFR	not fire retardant <input type="checkbox"/> A	+\$0
FR	fire retardant <input type="checkbox"/> A	+\$275

Striad Mid-Back Lounge Chair, CCL201
Wire Base



Product Information

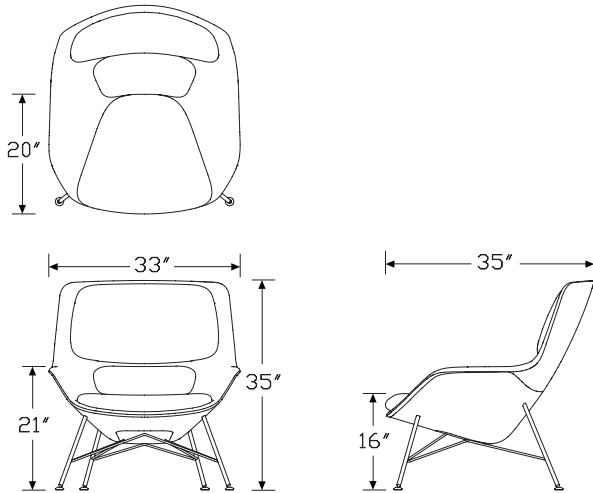
Description

This lounge chair has a mid back, dual density foam cushions, and a 4-leg wire base. The outer shell provides rigidity and support while the inner shell provides flexibility for added movement and comfort.

Notes

Customer's Own Material (COM) requires 3 1/2 yards (1 3/4 yards for shell, 1 3/4 yards for cushions). Customer's Own Leather (COL) requires 63 square feet (31 1/2 sq ft for shell, 31 1/2 sq ft for cushions). See Order Information in appendices.

Dimensions



Specification Information

Step 1.

CCL201. A \$2775

Step 2. Base Finish

47 trivalent chrome A +\$0
91 white A +\$0
BK black A +\$0

Step 3. Outer Shell Finish

91 white A +\$0
BK black A +\$0
WN warm grey neutral A +\$0

Step 4. Shell Upholstery

Price Category D +\$245
 Price Category 1 A +\$0
 Price Category 2 +\$11
 Price Category 3 +\$0
 Price Category (Geiger) 3 +\$27
 Price Category (Geiger) 4 +\$62
 Price Category 5 +\$102
 Price Category (Geiger) 5 +\$102
 Price Category 7 +\$599
 Price Category (Geiger) 7 +\$194
 Price Category (Geiger) 8 +\$256
 Price Category 9 +\$319
 Price Category (Geiger) 10 +\$382
 Price Category 11 +\$445
 Price Category (Geiger) 11 +\$445
 Price Category B +\$53
 Price Category (Geiger) C +\$88
 Price Category G +\$298
 Price Category H +\$368
 Price Category J +\$508

Striad Mid-Back Lounge Chair,
Wire Base *continued*

HermanMiller Collection—Lounge Seating

Step 5. Cushion Upholstery			
Price Category D		+\$245	
Price Category 1	A	+\$0	
Price Category 2		+\$11	
Price Category 3		+\$0	
Price Category (Geiger) 3		+\$27	
Price Category (Geiger) 4		+\$62	
Price Category 5		+\$102	
Price Category (Geiger) 5		+\$102	
Price Category 7		+\$599	
Price Category (Geiger) 7		+\$194	
Price Category (Geiger) 8		+\$256	
Price Category 9		+\$319	
Price Category (Geiger) 10		+\$382	
Price Category 11		+\$445	
Price Category (Geiger) 11		+\$445	
Price Category B		+\$53	
Price Category (Geiger) C		+\$80	
Price Category G		+\$298	
Price Category H		+\$368	
Price Category J		+\$508	
Step 6. Fire Retardancy			
NFR	not fire retardant	A	+\$0
FR	fire retardant	A	+\$275

Striad Low-Back Lounge Chair, CCL300
4-Star Base



Product Information

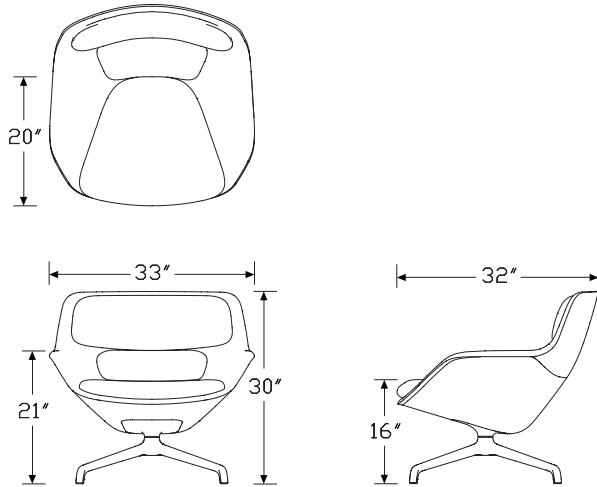
Description

This lounge chair has a low back, dual density foam cushions, and a 4-star aluminum base with a swivel-return feature. The outer shell provides rigidity and support while the inner shell provides flexibility for added movement and comfort.

Notes

Customer's Own Material (COM) requires 3½ yards (1¾ yards for shell, 1¾ yards for cushions). Customer's Own Leather (COL) requires 63 square feet (31½ sq ft for shell, 31½ sq ft for cushions). See Order Information in appendices.

Dimensions



Specification Information

Step 1.

CCL300. A

Step 2. Base

S swivel, auto return A

Prices for Steps 1-2.

CCL300. S \$2815

Step 3. Base Finish

91 white A +\$0
BK black A +\$0
PA polished aluminum A +\$0

Step 4. Outer Shell Finish

91 white A +\$0
BK black A +\$0
WN warm grey neutral A +\$0

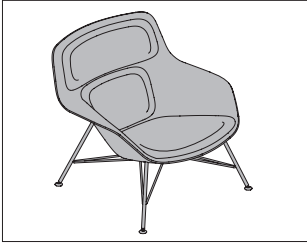
Step 5. Shell Upholstery

Price Category 1 A +\$0
 Price Category 2 +\$11
 Price Category 3 +\$0
 Price Category (Geiger) 3 +\$25
 Price Category (Geiger) 4 +\$57
 Price Category 5 +\$92
 Price Category (Geiger) 5 +\$92
 Price Category 7 A +\$599
 Price Category (Geiger) 7 +\$180
 Price Category (Geiger) 8 +\$237
 Price Category 9 +\$296
 Price Category (Geiger) 10 +\$354
 Price Category 11 +\$413
 Price Category (Geiger) 11 +\$413
 Price Category B +\$50
 Price Category (Geiger) C +\$88
 Price Category D +\$245
 Price Category G +\$276
 Price Category H +\$342
 Price Category J +\$472

Striad Low-Back Lounge Chair,
4-Star Base *continued*

Step 6. Cushion Upholstery			
Price Category D		+\$245	
Price Category 1	A	+\$0	
Price Category 2		+\$11	
Price Category 3		+\$0	
Price Category (Geiger) 3		+\$25	
Price Category (Geiger) 4		+\$57	
Price Category 5		+\$92	
Price Category (Geiger) 5		+\$92	
Price Category 7		+\$599	
Price Category (Geiger) 7		+\$180	
Price Category (Geiger) 8		+\$237	
Price Category 9		+\$296	
Price Category (Geiger) 10		+\$354	
Price Category 11		+\$413	
Price Category (Geiger) 11		+\$413	
Price Category B		+\$50	
Price Category (Geiger) C		+\$80	
Price Category G		+\$276	
Price Category H		+\$342	
Price Category J		+\$472	
Step 7. Fire Retardancy			
NFR	not fire retardant	A	+\$0
FR	fire retardant	A	+\$250

Striad Low-Back Lounge Chair, CCL301
Wire Base



Product Information

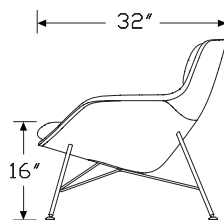
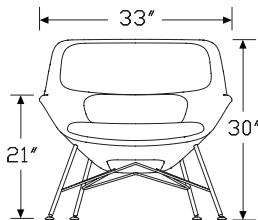
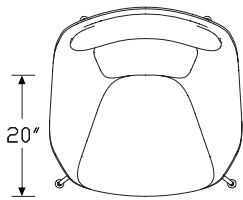
Description

This lounge chair has a low back, dual density foam cushions, and a 4-leg wire base. The outer shell provides rigidity and support while the inner shell provides flexibility for added movement and comfort.

Notes

Customer's Own Material (COM) requires 3½ yards (1¾ yards for shell, 1¾ yards for cushions). Customer's Own Leather (COL) requires 63 square feet (31½ sq ft for shell, 31½ sq ft for cushions). See Order Information in appendices.

Dimensions



Specification Information

Step 1.

CCL301. A \$2595

Step 2. Base Finish

47 trivalent chrome A +\$0
91 white A +\$0
BK black A +\$0

Step 3. Outer Shell Finish

91 white A +\$0
BK black A +\$0
WN warm grey neutral A +\$0

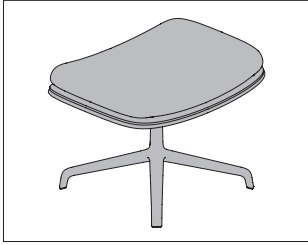
Step 4. Shell Upholstery

Price Category D +\$245
 Price Category 1 A +\$0
 Price Category 2 +\$11
 Price Category 3 +\$0
 Price Category (Geiger) 3 +\$25
 Price Category (Geiger) 4 +\$57
 Price Category 5 +\$92
 Price Category (Geiger) 5 +\$92
 Price Category 7 A +\$599
 Price Category (Geiger) 7 +\$180
 Price Category (Geiger) 8 +\$237
 Price Category 9 +\$296
 Price Category (Geiger) 10 +\$354
 Price Category 11 +\$413
 Price Category (Geiger) 11 +\$413
 Price Category B +\$50
 Price Category (Geiger) C +\$88
 Price Category G +\$276
 Price Category H +\$342
 Price Category J +\$472

Striad Low-Back Lounge Chair,
Wire Base *continued*

HermanMiller Collection—Lounge Seating

Step 5. Cushion Upholstery			
Price Category D		+\$245	
Price Category 1	A	+\$0	
Price Category 2		+\$11	
Price Category 3		+\$0	
Price Category (Geiger) 3		+\$25	
Price Category (Geiger) 4		+\$57	
Price Category 5		+\$92	
Price Category (Geiger) 5		+\$92	
Price Category 7		+\$599	
Price Category (Geiger) 7		+\$180	
Price Category (Geiger) 8		+\$237	
Price Category 9		+\$296	
Price Category (Geiger) 10		+\$354	
Price Category 11		+\$413	
Price Category (Geiger) 11		+\$413	
Price Category B		+\$50	
Price Category (Geiger) C		+\$80	
Price Category G		+\$276	
Price Category H		+\$342	
Price Category J		+\$472	
Step 6. Fire Retardancy			
NFR	not fire retardant	A	+\$0
FR	fire retardant	A	+\$250



Product Information

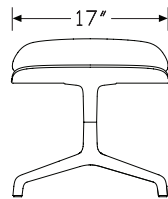
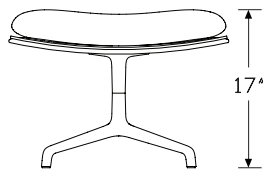
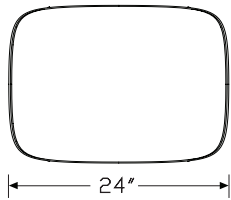
Description

This ottoman has a 4-star fixed aluminum base.

Notes

Customer's Own Material (COM) requires 2 yards (1 yard for shell, 1 yard for cushion). Customer's Own Leather (COL) requires 36 square feet (18 sq ft for shell, 18 sq ft for cushions). See Order Information in appendices.

Dimensions



Specification Information

Step 1.

CCL400. A \$1100

Step 2. Base Finish

91 white A +\$0
BK black A +\$0
PA polished aluminum A +\$0

Step 3. Shell Upholstery

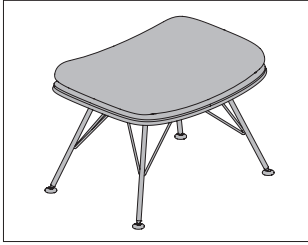
Price Category D +\$140
 Price Category 1 A +\$0
 Price Category 2 +\$7
 Price Category 3 +\$0
 Price Category (Geiger) 3 +\$16
 Price Category (Geiger) 4 +\$35
 Price Category 5 +\$57
 Price Category (Geiger) 5 +\$57
 Price Category 7 +\$342
 Price Category (Geiger) 7 +\$111
 Price Category (Geiger) 8 +\$146
 Price Category 9 +\$182
 Price Category (Geiger) 10 +\$218
 Price Category 11 +\$254
 Price Category (Geiger) 11 +\$254
 Price Category B +\$31
 Price Category (Geiger) C +\$31
 Price Category G +\$170
 Price Category H +\$211
 Price Category J +\$291

Striad Ottoman, 4-Star Base

continued

HermanMiller Collection—Lounge Seating

Step 4. Cushion Upholstery			
Price Category D		+\$140	
Price Category 1	A	+\$0	
Price Category 2		+\$7	
Price Category 3		+\$0	
Price Category (Geiger) 3		+\$16	
Price Category (Geiger) 4		+\$35	
Price Category 5		+\$57	
Price Category (Geiger) 5		+\$57	
Price Category 7		+\$342	
Price Category (Geiger) 7		+\$111	
Price Category (Geiger) 8		+\$146	
Price Category 9		+\$182	
Price Category (Geiger) 10		+\$218	
Price Category 11		+\$254	
Price Category (Geiger) 11		+\$254	
Price Category B		+\$31	
Price Category (Geiger) C		+\$0	
Price Category G		+\$170	
Price Category H		+\$211	
Price Category J		+\$291	
Step 5. Fire Retardancy			
NFR	not fire retardant	A	+\$0
FR	fire retardant	A	+\$150



Product Information

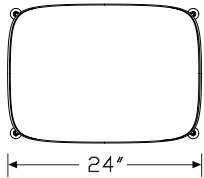
Description

This ottoman has a 4-leg wire base.

Notes

Customer's Own Material (COM) requires 2 yards (1 yard for shell, 1 yard for cushion). Customer's Own Leather (COL) requires 36 square feet (18 sq ft for shell, 18 sq ft for cushions). See Order Information in appendices.

Dimensions



Specification Information

Step 1.

CCL401. A \$1085

Step 2. Base Finish

47 trivalent chrome A +\$0
91 white A +\$0
BK black A +\$0

Step 3. Shell Upholstery

Price Category D +\$140
 Price Category 1 A +\$0
 Price Category 2 +\$7
 Price Category 3 +\$0
 Price Category (Geiger) 3 +\$16
 Price Category (Geiger) 4 +\$35
 Price Category 5 +\$57
 Price Category (Geiger) 5 +\$57
 Price Category 7 +\$342
 Price Category (Geiger) 7 +\$111
 Price Category (Geiger) 8 +\$146
 Price Category 9 +\$182
 Price Category (Geiger) 10 +\$218
 Price Category 11 +\$254
 Price Category (Geiger) 11 +\$254
 Price Category B +\$31
 Price Category (Geiger) C +\$31
 Price Category G +\$170
 Price Category H +\$211
 Price Category J +\$291

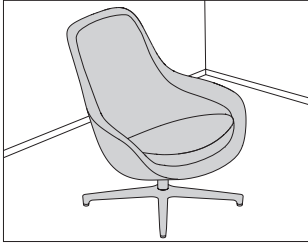
Striad Ottoman, Wire Base *continued*

HermanMiller Collection—Lounge Seating

Step 4. Cushion Upholstery			
Price Category D		+\$140	
Price Category 1	A	+\$0	
Price Category 2		+\$7	
Price Category 3		+\$0	
Price Category (Geiger) 3		+\$16	
Price Category (Geiger) 4		+\$35	
Price Category 5		+\$57	
Price Category (Geiger) 5		+\$57	
Price Category 7		+\$342	
Price Category (Geiger) 7		+\$111	
Price Category (Geiger) 8		+\$146	
Price Category 9		+\$182	
Price Category (Geiger) 10		+\$218	
Price Category 11		+\$254	
Price Category (Geiger) 11		+\$254	
Price Category B		+\$31	
Price Category (Geiger) C		+\$0	
Price Category G		+\$170	
Price Category H		+\$211	
Price Category J		+\$291	
Step 5. Fire Retardancy			
NFR	not fire retardant	A	+\$0
FR	fire retardant	A	+\$150

Saiba Lounge

SBN5H



Product Information

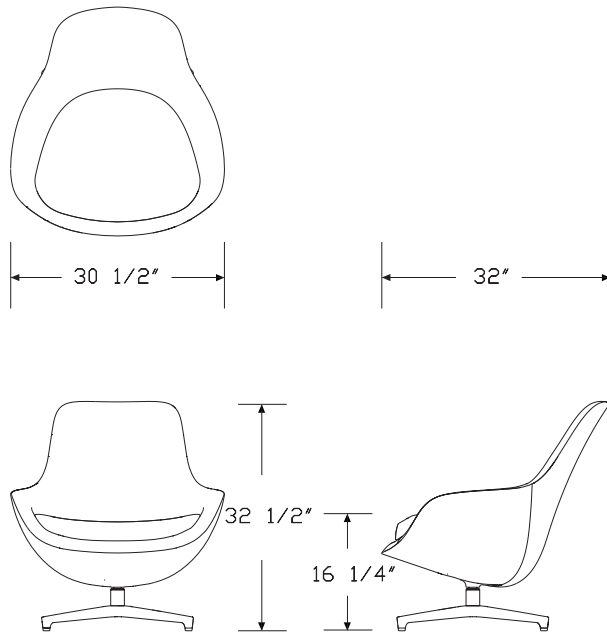
Description

This high back chair has a 4-star base with glides. Seat frame is rigid urethane with polyurethane foam. Cushion is high density foam.

Notes

Customer's Own Material (COM) requires 3 1/2 yards. Customer's Own Leather (COL) requires 63 square feet. See Order Information in Appendices.

Dimensions



Specification Information

Step 1.

SBN5 A

Step 2. Back Height

H high back A

Prices for Steps 1-2.

SBN5H \$2700

Step 3. Upholstery

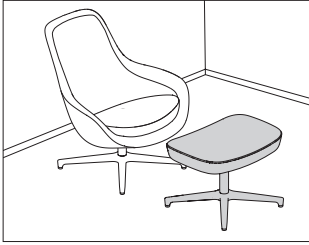
Price Category (Geiger) COL <input type="checkbox"/> A	+\$189
Price Category (Geiger) COM <input type="checkbox"/> A	+\$0
Price Category 1	+\$0
Price Category 2	+\$0
Price Category (Geiger) 3	+\$207
Price Category 3	+\$207
Price Category (Geiger) 4	+\$252
Price Category (Geiger) 5	+\$368
Price Category 5	+\$368
Price Category (Geiger) 7	+\$599
Price Category 9	+\$1138
Price Category (Geiger) 10	+\$1309
Price Category (Geiger) 11	+\$1467
Price Category 11	+\$1467
Price Category (Geiger) H	+\$606

Step 4. Base Finish

BK black <input type="checkbox"/> A	+\$0
CD polished aluminum <input type="checkbox"/> A	+\$0

Step 5. Fire Retardancy

NOCAL no cal-133 required <input type="checkbox"/> A	+\$0
133 cal-133 required <input type="checkbox"/> A	+\$228



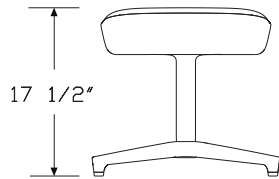
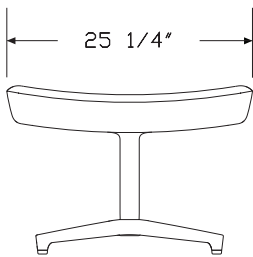
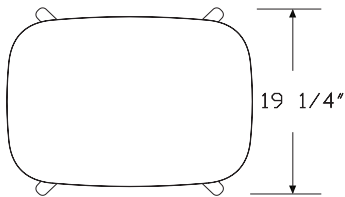
HermanMiller Collection—Lounge Seating

Product Information

Description
 This ottoman has upholstered high density foam and a 4-star base with glides.

Notes
 Customer's Own Material (COM) requires 1 yard. Customer's Own Leather (COL) requires 18 square feet. See Order Information in Appendices.

Dimensions



Specification Information

Step 1.
SBN6 A \$1075

Step 2. Upholstery

Price Category (Geiger) COL	<input type="checkbox"/> A	+\$72
Price Category (Geiger) COM	<input type="checkbox"/> A	+\$0
Price Category 1		+\$0
Price Category 2		+\$0
Price Category (Geiger) 3		+\$59
Price Category 3		+\$59
Price Category (Geiger) 4		+\$72
Price Category (Geiger) 5		+\$105
Price Category 5		+\$105
Price Category (Geiger) 7		+\$171
Price Category 9		+\$325
Price Category (Geiger) 10		+\$374
Price Category (Geiger) 11		+\$419
Price Category 11		+\$419
Price Category (Geiger) H		+\$173

Step 3. Base Finish

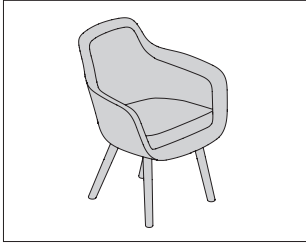
BK	black	<input type="checkbox"/> A	+\$0
CD	polished aluminum	<input type="checkbox"/> A	+\$0

Step 4. Fire Retardancy

NOCAL	no cal-133 required	<input type="checkbox"/> A	+\$0
133	cal-133 required	<input type="checkbox"/> A	+\$65

Saiba Guest Chair

SBN7M



Product Information

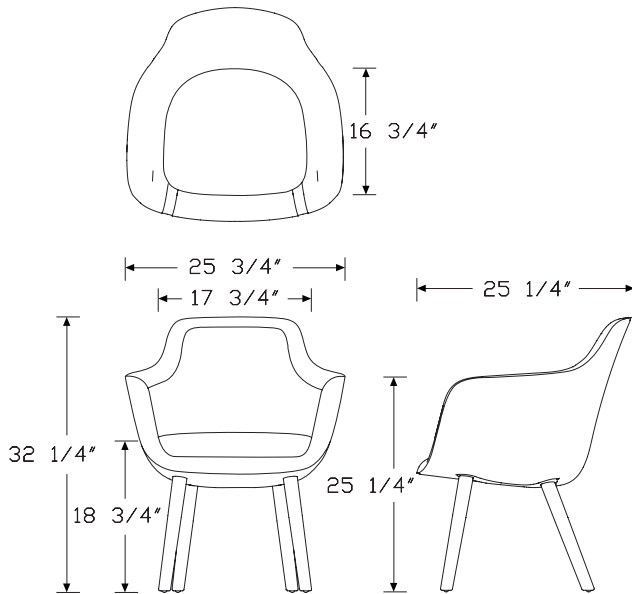
Description

This guest chair has a solid wood base available in ash or walnut. Seat frame is rigid urethane with polyurethane foam. Cushion is high density foam.

Notes

Customer's Own Material (COM) requires 2³/₄ yards. Customer's Own Leather (COL) requires 49¹/₂ square feet. See Order Information in Appendices.

Dimensions



Specification Information

Step 1.

SBN7 A

Step 2. Back Height

M mid back A

Prices for Steps 1-2.

SBN7M \$1725

Step 3. Frame

A ash A +\$0

W walnut A +\$0

Step 4. Upholstery

Price Category (Geiger) COL A +\$149

Price Category (Geiger) COM A +\$0

Price Category 1 +\$0

Price Category 2 +\$0

Price Category (Geiger) 3 +\$162

Price Category 3 +\$162

Price Category (Geiger) 4 +\$198

Price Category (Geiger) 5 +\$289

Price Category 5 +\$289

Price Category (Geiger) 7 +\$470

Price Category 9 +\$894

Price Category (Geiger) 10 +\$1029

Price Category (Geiger) 11 +\$1152

Price Category 11 +\$1152

Price Category (Geiger) H +\$476

Step 5. Wood Finish

Low Sheen Finishes (on Ash)

For ash (A)

967 smoked paldao, low sheen A +\$0

969 warm paldao, low sheen A +\$0

Saiba Guest Chair *continued*

Low Sheen Finishes (on Ash)

For ash (A)

G2U	light brown walnut, low sheen A	+\$0
G40	dark brown walnut, low sheen A	+\$0
940	sundance cherry on maple A	+\$0
943	caramel cherry A	+\$0
946	cocoa cherry A	+\$0
956	cocoa sapele A	+\$0
962	toasted walnut, low sheen A	+\$0
963	charred walnut, low sheen A	+\$0
964	bronzed walnut, low sheen A	+\$0
965	smoked walnut, low sheen A	+\$0
966	coffee walnut, low sheen A	+\$0
977	chocolate ash, low sheen A	+\$0
98R	recograin rosewood A	+\$0
991	champagne ash A	+\$0
998	ebony ash A	+\$0
99A	recograin frosty ash A	+\$0
99R	recograin rosewood A	+\$0
99T	recograin teak A	+\$0
9A1	white ash, quarter cut, low sheen A A	+\$0
9K1	rift oak, rift cut, low sheen A	+\$0
9K6	burnt oak, rift cut, low sheen A	+\$0
ED	aged cherry A	+\$0
EK	medium red walnut A	+\$0
UX	walnut on cherry A	+\$0

Matte Sheen Finishes (on Ash)

For ash (A)

66A	recograin frosty ash A	+\$0
677	chocolate ash, matte sheen A	+\$0
68R	recograin rosewood A	+\$0
69A	recograin frosty ash A	+\$0
69R	recograin rosewood A	+\$0
69T	recograin teak A	+\$0
6A1	white ash A	+\$0
6K1	rift oak A	+\$0
6K6	burnt oak A	+\$0
ET	clear on ash A	+\$0
EU	oak on ash A	+\$0
EV	walnut on ash A	+\$0
GOU	natural walnut, flat cut, matte sheen A	+\$0

Matte Sheen Finishes (on Ash)

For ash (A)

66G	recograin wenge A	+\$0
68W	recograin walnut, flat cut, matte sheen A	+\$0
69G	recograin wenge A	+\$0
69W	recograin walnut, quarter cut, matte sheen A	+\$0

Low Sheen Finishes (on Ash)

For ash (A)

98W	recograin walnut, flat cut, low sheen A	+\$0
99G	recograin wenge, quarter cut, low sheen A	+\$0
99W	recograin walnut, quarter cut, low sheen A	+\$0

Low Sheen Finishes (on Walnut)

For walnut (W)

967	smoked paldao, low sheen A	+\$0
969	warm paldao, low sheen A	+\$0

Low Sheen Finishes (on Walnut)

For walnut (W)

G2U	light brown walnut, low sheen A	+\$0
G40	dark brown walnut, low sheen A	+\$0
962	toasted walnut, low sheen A	+\$0
963	charred walnut, low sheen A	+\$0
964	bronzed walnut, low sheen A	+\$0
965	smoked walnut, low sheen A	+\$0
966	coffee walnut, low sheen A	+\$0
972	sundance walnut A	+\$0
98R	recograin rosewood A	+\$0
99R	recograin rosewood A	+\$0
EK	medium red walnut A	+\$0

Matte Sheen Finishes (on Walnut)

For walnut (W)

667	smoked paldao, quarter cut, matte sheen A	+\$0
669	warm paldao, quarter cut, matte sheen A	+\$0
662	toasted walnut, matte sheen A	+\$0
663	charred walnut, matte sheen A	+\$0
664	bronzed walnut, matte sheen A	+\$0
665	smoked walnut, matte sheen A	+\$0
666	coffee walnut, matte sheen A	+\$0
68R	recograin rosewood A	+\$0
69R	recograin rosewood A	+\$0
GOU	natural walnut, flat cut, matte sheen A	+\$0

Saiba Guest Chair *continued*

Matte Sheen Finishes (on Walnut)

For walnut (W)

66G	recograin wenge <input type="checkbox"/> A	+\$0
69G	recograin wenge <input type="checkbox"/> A	+\$0

Low Sheen Finishes (on Walnut)

For walnut (W)

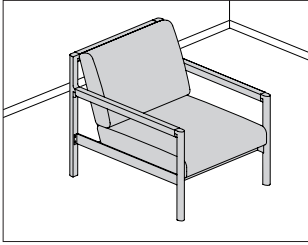
96G	wenge recograin, quarter cut, low sheen <input type="checkbox"/> A	+\$0
99G	recograin wenge, quarter cut, low sheen <input type="checkbox"/> A	+\$0

Step 6. Fire Retardancy

133	cal-133 required <input type="checkbox"/> A	+\$179
NOCAL	no cal-133 required <input type="checkbox"/> A	+\$0

Brabo Lounge Chair

SVV4A
SVV4W



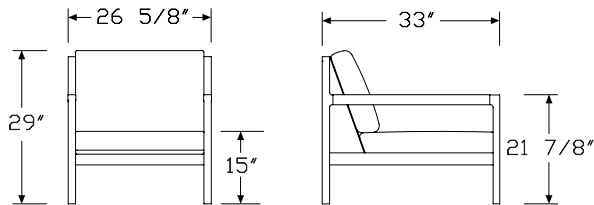
HermanMiller Collection—Lounge Seating

Product Information

Description
This lounge chair has a solid ash or solid walnut frame with steel-plated metal, leather sling and arm wrap, and upholstered foam cushions.

Notes
Customers Own Material (COM) requires 2 yards for the back and seat cushions. Customers Own Leather (COL) requires 36 square feet for the back and seat cushions, and an additional 27 square feet for the sling and arm wrap. See Order Information in Appendices.

Dimensions



Specification Information

Step 1.

SVV4

Step 2. Frame Finish

A ash
W walnut

Prices for Steps 1-2.

SVV4A \$2621
SVV4W \$3147

Step 3. Wood Finish

Premium Veneer - Low Sheen

For ash (A)

940	sundance cherry on maple <input type="checkbox"/>	+\$0
943	caramel cherry <input type="checkbox"/>	+\$0
946	cocoa cherry <input type="checkbox"/>	+\$0
956	cocoa sapele <input type="checkbox"/>	+\$0
962	toasted walnut, low sheen <input type="checkbox"/>	+\$0
963	charred walnut, low sheen <input type="checkbox"/>	+\$0
964	bronzed walnut, low sheen <input type="checkbox"/>	+\$0
965	smoked walnut, low sheen <input type="checkbox"/>	+\$0
966	coffee walnut, low sheen <input type="checkbox"/>	+\$0
977	chocolate ash, low sheen <input type="checkbox"/>	+\$0
98R	recograin rosewood <input type="checkbox"/>	+\$0
991	champagne ash <input type="checkbox"/>	+\$0
998	ebony ash <input type="checkbox"/>	+\$0
99A	recograin frosty ash <input type="checkbox"/>	+\$0
99R	recograin rosewood <input type="checkbox"/>	+\$0
99T	recograin teak <input type="checkbox"/>	+\$0
9A1	white ash, quarter cut, low sheen <input type="checkbox"/>	+\$0
9K1	rift oak, rift cut, low sheen <input type="checkbox"/>	+\$0
9K6	burnt oak, rift cut, low sheen <input type="checkbox"/>	+\$0
ED	aged cherry <input type="checkbox"/>	+\$0
EK	medium red walnut <input type="checkbox"/>	+\$0
G2U	light brown walnut, low sheen <input type="checkbox"/>	+\$0
G40	dark brown walnut, low sheen <input type="checkbox"/>	+\$0
UX	walnut on cherry <input type="checkbox"/>	+\$0

Brabo Lounge Chair *continued*

Premium Veneer - Matte		
<i>For ash (A)</i>		
66A	recograin frosty ash [A]	+\$0
677	chocolate ash, matte sheen [A]	+\$0
68R	recograin rosewood [A]	+\$0
69A	recograin frosty ash [A]	+\$0
69R	recograin rosewood [A]	+\$0
69T	recograin teak [A]	+\$0
6A1	white ash [A]	+\$0
6K1	rift oak [A]	+\$0
6K6	burnt oak [A]	+\$0
ET	clear on ash [A]	+\$0
EU	oak on ash [A]	+\$0
EV	walnut on ash [A]	+\$0
GOU	natural walnut, flat cut, matte sheen [A]	+\$0

Anigre Veneer - Low Sheen		
<i>For ash (A)</i>		
967	smoked paldao, low sheen [A]	+\$0
969	warm paldao, low sheen [A]	+\$0

RecoGrain Veneer		
<i>For ash (A)</i>		
66G	recograin wenge [A]	+\$0
68W	recograin walnut, flat cut, matte sheen [A]	+\$0
69G	recograin wenge, quarter cut, matte sheen [A]	+\$0
69W	recograin walnut, quarter cut, matte sheen [A]	+\$0

Recon Veneer -		
<i>For ash (A)</i>		
98W	recograin walnut, flat cut, low sheen [A]	+\$0
99G	recograin wenge, quarter cut, low sheen [A]	+\$0
99W	recograin walnut, quarter cut, low sheen [A]	+\$0

Premium Veneer - Low Sheen		
<i>For walnut (W)</i>		
962	toasted walnut, low sheen [A]	+\$0
963	charred walnut, low sheen [A]	+\$0
964	bronzed walnut, low sheen [A]	+\$0
965	smoked walnut, low sheen [A]	+\$0
966	coffee walnut, low sheen [A]	+\$0
972	sundance walnut [A]	+\$0
98R	recograin rosewood [A]	+\$0
99R	recograin rosewood [A]	+\$0
EK	medium red walnut [A]	+\$0
G2U	light brown walnut, low sheen [A]	+\$0
G40	dark brown walnut, low sheen [A]	+\$0

Premium Veneer - Matte		
<i>For walnut (W)</i>		
662	toasted walnut, matte sheen [A]	+\$0
663	charred walnut, matte sheen [A]	+\$0
664	bronzed walnut, matte sheen [A]	+\$0
665	smoked walnut, matte sheen [A]	+\$0
666	coffee walnut, matte sheen [A]	+\$0
669	warm paldao, quarter cut, matte sheen [A]	+\$0
68R	recograin rosewood [A]	+\$0
69R	recograin rosewood [A]	+\$0
GOU	natural walnut, flat cut, matte sheen [A]	+\$0

Anigre Veneer - Low Sheen		
<i>For walnut (W)</i>		
967	smoked paldao, low sheen [A]	+\$0
969	warm paldao, low sheen [A]	+\$0

RecoGrain Veneer		
<i>For walnut (W)</i>		
66G	recograin wenge [A]	+\$0
69G	recograin wenge [A]	+\$0

<i>For walnut (W)</i>		
96G	wenge recograin, quarter cut, low sheen [A]	+\$0
99G	recograin wenge, quarter cut, low sheen [A]	+\$0

Step 4. Seat/Back Fabric	
Price Category 1	+\$0
Price Category 2	+\$94
Price Category (Geiger) 3	+\$118
Price Category 3	+\$118
Price Category (Geiger) 4	+\$144
Price Category 4	+\$144
Price Category (Geiger) 5	+\$210
Price Category 5	+\$210
Price Category (Geiger) 6	+\$276
Price Category (Geiger) 7	+\$342
Price Category (Geiger) 8	+\$524
Price Category 9	+\$650
Price Category (Geiger) 10	+\$748
Price Category (Geiger) 11	+\$838
Price Category 11	+\$838
Price Category (Geiger) 14	+\$0
Price Category (Geiger) C	+\$104
Price Category (Geiger) D	+\$140
Price Category (Geiger) E	+\$170
Price Category (Geiger) F	+\$204

Brabo Lounge Chair *continued*

Price Category (Geiger) G	+\$278
Price Category (Geiger) H	+\$346
Price Category (Geiger) I	+\$418
Price Category (Geiger) J	+\$490
Price Category (Geiger) K	+\$562
Price Category (Geiger) L	+\$634
Price Category (Geiger) M	+\$706
Price Category (Geiger) N	+\$778
Price Category (Geiger) O	+\$850
Price Category (Geiger) P	+\$920
Price Category (Geiger) Q	+\$1062
Price Category (Geiger) R	+\$1480
Price Category (Geiger) S	+\$1590
Price Category (Geiger) T	+\$1700
Price Category (Geiger) U	+\$1810
Price Category (Geiger) X	+\$2140
Price Category (Geiger) Y	+\$2250
Price Category (Geiger) COL <input type="checkbox"/>	+\$108
Price Category (Geiger) COM <input type="checkbox"/>	+\$0

Step 5. Sling/Arm Leather

Price Category (Geiger) 11	+\$629
Price Category 11	+\$629

Step 6. Base Finish

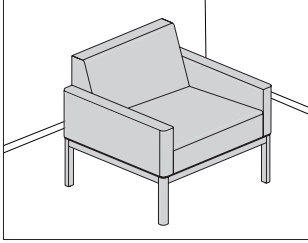
BNZ bronze <input type="checkbox"/>	+\$0
CHR chrome <input type="checkbox"/>	+\$0
SAC satin chrome <input type="checkbox"/>	+\$0

Step 7. Fire Retardancy

NOCAL no cal-133 required <input type="checkbox"/>	+\$0
133 cal-133 required <input type="checkbox"/>	+\$130

Wood Base Club Chair

TT1AA
TT1AW



Product Information

Description

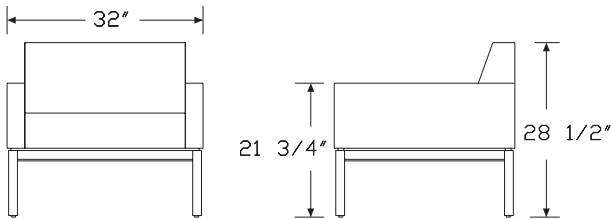
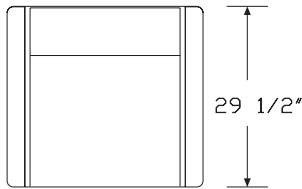
This club chair has a polyurethane foam and Dacron® seat with a solid wood base. Base comes in ash or walnut.

Notes

Fire retardant chair meets CAL 133 requirements.

Customers Own Material (COM) requires 3¼ yards. Customers Own Leather (COL) requires 59 square feet. See Order Information in appendices.

Dimensions



Specification Information

Step 1.

TT1 A

Step 2. Arms

A arms A

Step 3. Wood Finish

A ash A

W walnut A

Prices for Steps 1-3.

TT1AA	\$2495
TT1AW	\$2595

Step 4. Upholstery

Price Category (Geiger) COL <input type="checkbox"/> A	+\$234
Price Category (Geiger) COM <input type="checkbox"/> A	+\$0
Price Category 1	+\$0
Price Category (Geiger) 2	+\$153
Price Category 2	+\$0
Price Category (Geiger) 3	+\$192
Price Category 3	+\$0
Price Category (Geiger) 4	+\$234
Price Category (Geiger) 5	+\$341
Price Category 5	+\$341
Price Category (Geiger) 6	+\$0
Price Category (Geiger) 7	+\$556
Price Category (Geiger) 8	+\$852
Price Category (Geiger) 10	+\$1216
Price Category (Geiger) 11	+\$1362
Price Category 11	+\$1362

Step 5. Leg Finish

Low Sheen Finishes (on Ash)

For ash (A)

967 smoked paldao, low sheen <input type="checkbox"/> A	+\$0
969 warm paldao, low sheen <input type="checkbox"/> A	+\$0

Wood Base Club Chair *continued*

Low Sheen Finishes (on Ash)

For ash (A)

G2U	light brown walnut, low sheen A	+\$0
G40	dark brown walnut, low sheen A	+\$0
940	sundance cherry on maple A	+\$0
943	caramel cherry A	+\$0
946	cocoa cherry A	+\$0
956	cocoa sapele A	+\$0
962	toasted walnut, low sheen A	+\$0
963	charred walnut, low sheen A	+\$0
964	bronzed walnut, low sheen A	+\$0
965	smoked walnut, low sheen A	+\$0
966	coffee walnut, low sheen A	+\$0
977	chocolate ash, low sheen A	+\$0
98R	recograin rosewood A	+\$0
991	champagne ash A	+\$0
998	ebony ash A	+\$0
99A	recograin frosty ash A	+\$0
99R	recograin rosewood A	+\$0
99T	recograin teak A	+\$0
9A1	white ash, quarter cut, low sheen A	+\$0
9K1	rift oak, rift cut, low sheen A	+\$0
9K6	burnt oak, rift cut, low sheen A	+\$0
ED	aged cherry A	+\$0
EK	medium red walnut A	+\$0
UX	walnut on cherry A	+\$0

Matte Sheen Finishes (on Ash)

For ash (A)

66A	recograin frosty ash A	+\$0
677	chocolate ash, matte sheen A	+\$0
68R	recograin rosewood A	+\$0
69A	recograin frosty ash A	+\$0
69R	recograin rosewood A	+\$0
69T	recograin teak A	+\$0
6A1	white ash A	+\$0
6K1	rift oak A	+\$0
6K6	burnt oak A	+\$0
ET	clear on ash A	+\$0
EU	oak on ash A	+\$0
EV	walnut on ash A	+\$0
GOU	natural walnut, flat cut, matte sheen A	+\$0

Matte Sheen Finishes (on Ash)

For ash (A)

66G	recograin wenge A	+\$0
68W	recograin walnut, flat cut, matte sheen A	+\$0
69G	recograin wenge A	+\$0
69W	recograin walnut, quarter cut, matte sheen A	+\$0

Low Sheen Finishes (on Ash)

For ash (A)

98W	recograin walnut, flat cut, low sheen A	+\$0
99G	recograin wenge, quarter cut, low sheen A	+\$0
99W	recograin walnut, quarter cut, low sheen A	+\$0

Low Sheen Finishes (on Walnut)

For walnut (W)

967	smoked paldao, low sheen A	+\$0
969	warm paldao, low sheen A	+\$0

Low Sheen Finishes (on Walnut)

For walnut (W)

962	toasted walnut, low sheen A	+\$0
963	charred walnut, low sheen A	+\$0
964	bronzed walnut, low sheen A	+\$0
965	smoked walnut, low sheen A	+\$0
966	coffee walnut, low sheen A	+\$0
972	sundance walnut A	+\$0
98R	recograin rosewood A	+\$0
99R	recograin rosewood A	+\$0
EK	medium red walnut A	+\$0
G2U	light brown walnut, low sheen A	+\$0
G40	dark brown walnut, low sheen A	+\$0

Low Sheen Finishes (on Walnut)

For walnut (W)

96G	wenge recograin, quarter cut, low sheen A	+\$0
99G	recograin wenge, quarter cut, low sheen A	+\$0

Wood Base Club Chair *continued*

Matte Sheen Finishes (on Walnut)

For walnut (W)

662	toasted walnut, matte sheen	<input type="checkbox"/> A	+\$0
663	charred walnut, matte sheen	<input type="checkbox"/> A	+\$0
664	bronzed walnut, matte sheen	<input type="checkbox"/> A	+\$0
665	smoked walnut, matte sheen	<input type="checkbox"/> A	+\$0
666	coffee walnut, matte sheen	<input type="checkbox"/> A	+\$0
667	smoked paldao, quarter cut, matte sheen	<input type="checkbox"/> A	+\$0
669	warm paldao, quarter cut, matte sheen	<input type="checkbox"/> A	+\$0
68R	recograin rosewood	<input type="checkbox"/> A	+\$0
69R	recograin rosewood	<input type="checkbox"/> A	+\$0
GOU	natural walnut, flat cut, matte sheen	<input type="checkbox"/> A	+\$0

Matte Sheen Finishes (on Walnut)

For walnut (W)

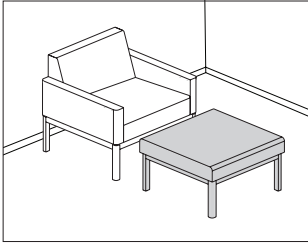
66G	recograin wenge	<input type="checkbox"/> A	+\$0
69G	recograin wenge	<input type="checkbox"/> A	+\$0

Step 6. Fire Retardancy

133	cal-133 required	<input type="checkbox"/> A	+\$176
NOCAL	no cal-133 required	<input type="checkbox"/> A	+\$0

Wood Base Ottoman

TT1BA
TT1BW



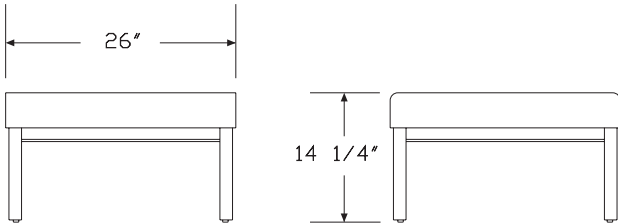
HermanMiller Collection—Lounge Seating

Product Information

Description
This 14³/₄" high ottoman has a polyurethane foam and Dacron® seat with a solid wood base. Base comes in ash or walnut.

Notes
Fire retardant ottoman meets CAL 133 requirements.
Customers Own Material (COM) requires 1¹/₂ yards. Customers Own Leather (COL) requires 35 square feet. See Order Information in appendices.

Dimensions



Specification Information

Step 1.

TT1B A

Step 2. Wood Finish

A ash A
W walnut A

Prices for Steps 1-2.

TT1BA \$1295
TT1BW \$1395

Step 3. Upholstery

Price Category (Geiger) COL A +\$108
Price Category (Geiger) COM A +\$0
Price Category 1 +\$0
Price Category (Geiger) 2 +\$71
Price Category 2 +\$0
Price Category (Geiger) 3 +\$89
Price Category 3 +\$0
Price Category (Geiger) 4 +\$108
Price Category (Geiger) 5 +\$158
Price Category 5 +\$158
Price Category (Geiger) 6 +\$0
Price Category (Geiger) 7 +\$257
Price Category (Geiger) 8 +\$393
Price Category (Geiger) 10 +\$561
Price Category (Geiger) 11 +\$629
Price Category 11 +\$629

Step 4. Leg Finish

Low Sheen Finishes (on Ash)

For ash (A)
967 smoked paldao, low sheen A +\$0
969 warm paldao, low sheen A +\$0

Low Sheen Finishes (on Ash)

For ash (A)

940	sundance cherry on maple [A]	+\$0
943	caramel cherry [A]	+\$0
946	cocoa cherry [A]	+\$0
956	cocoa sapele [A]	+\$0
962	toasted walnut, low sheen [A]	+\$0
963	charred walnut, low sheen [A]	+\$0
964	bronzed walnut, low sheen [A]	+\$0
965	smoked walnut, low sheen [A]	+\$0
966	coffee walnut, low sheen [A]	+\$0
977	chocolate ash, low sheen [A]	+\$0
98R	recograin rosewood [A]	+\$0
991	champagne ash [A]	+\$0
998	ebony ash [A]	+\$0
99A	recograin frosty ash [A]	+\$0
99R	recograin rosewood [A]	+\$0
99T	recograin teak [A]	+\$0
9A1	white ash, quarter cut, low sheen [A]	+\$0
9K1	rift oak, rift cut, low sheen [A]	+\$0
9K6	burnt oak, rift cut, low sheen [A]	+\$0
ED	aged cherry [A]	+\$0
EK	medium red walnut [A]	+\$0
G2U	light brown walnut, low sheen [A]	+\$0
G40	dark brown walnut, low sheen [A]	+\$0
UX	walnut on cherry [A]	+\$0

Low Sheen Finishes (on Ash)

For ash (A)

98W	recograin walnut, flat cut, low sheen [A]	+\$0
99G	recograin wenge, quarter cut, low sheen [A]	+\$0
99W	recograin walnut, quarter cut, low sheen [A]	+\$0

Matte Sheen Finishes (on Ash)

For ash (A)

66A	frosty ash recograin, quarter cut, matte sheen [A]	+\$0
677	chocolate ash, matte sheen [A]	+\$0
68R	recograin rosewood [A]	+\$0
69A	recograin frosty ash [A]	+\$0
69R	recograin rosewood [A]	+\$0
69T	recograin teak [A]	+\$0
6A1	white ash [A]	+\$0
6K1	rift oak [A]	+\$0
6K6	burnt oak [A]	+\$0
ET	clear on ash [A]	+\$0
EU	oak on ash [A]	+\$0
EV	walnut on ash [A]	+\$0
GOU	natural walnut, flat cut, matte sheen [A]	+\$0

Matte Sheen Finishes (on Ash)

For ash (A)

66G	recograin wenge [A]	+\$0
68W	recograin walnut, flat cut, matte sheen [A]	+\$0
69G	recograin wenge [A]	+\$0
69W	recograin walnut, quarter cut, matte sheen [A]	+\$0

Low Sheen Finishes (on Walnut)

For walnut (W)

967	smoked paldao, low sheen [A]	+\$0
969	warm paldao, low sheen [A]	+\$0

Low Sheen Finishes (on Walnut)

For walnut (W)

962	toasted walnut, low sheen [A]	+\$0
963	charred walnut, low sheen [A]	+\$0
964	bronzed walnut, low sheen [A]	+\$0
965	smoked walnut, low sheen [A]	+\$0
966	coffee walnut, low sheen [A]	+\$0
972	sundance walnut [A]	+\$0
98R	recograin rosewood [A]	+\$0
99R	recograin rosewood [A]	+\$0
EK	medium red walnut [A]	+\$0
G2U	light brown walnut, low sheen [A]	+\$0
G40	dark brown walnut, low sheen [A]	+\$0

Low Sheen Finishes (on Walnut)

For walnut (W)

96G	wenge recograin, quarter cut, low sheen [A]	+\$0
99G	recograin wenge, quarter cut, low sheen [A]	+\$0

Wood Base Ottoman *continued*

Matte Sheen Finishes (on Walnut)

For walnut (W)

662	toasted walnut, matte sheen	<input type="checkbox"/> A	+\$0
663	charred walnut, matte sheen	<input type="checkbox"/> A	+\$0
664	bronzed walnut, matte sheen	<input type="checkbox"/> A	+\$0
665	smoked walnut, matte sheen	<input type="checkbox"/> A	+\$0
666	coffee walnut, matte sheen	<input type="checkbox"/> A	+\$0
667	smoked paldao, quarter cut, matte sheen	<input type="checkbox"/> A	+\$0
669	warm paldao, quarter cut, matte sheen	<input type="checkbox"/> A	+\$0
68R	recograin rosewood	<input type="checkbox"/> A	+\$0
69R	recograin rosewood	<input type="checkbox"/> A	+\$0
GOU	natural walnut, flat cut, matte sheen	<input type="checkbox"/> A	+\$0

Matte Sheen Finishes (on Walnut)

For walnut (W)

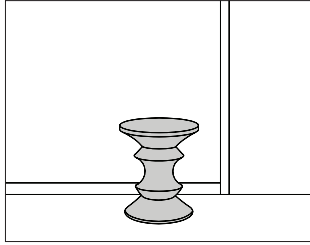
66G	recograin wenge	<input type="checkbox"/> A	+\$0
69G	recograin wenge	<input type="checkbox"/> A	+\$0

Step 5. Fire Retardancy

133	cal-133 required	<input type="checkbox"/> A	+\$98
NOCAL	no cal-133 required	<input type="checkbox"/> A	+\$0

Eames® Walnut Stool

411
412
413

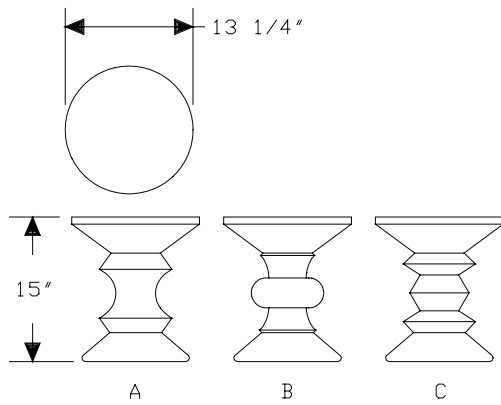


Product Information

Description

This solid walnut stool is available with 3 base shapes.

Dimensions



Specification Information

Step 1.

41 A

Step 2. Shape

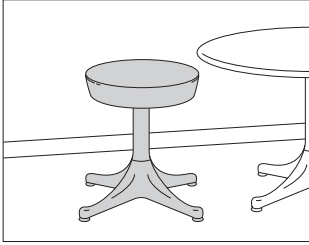
1 a shape A

2 b shape A

3 c shape A

Prices for Steps 1-2.

411	\$1144
412	\$1144
413	\$1144



Product Information

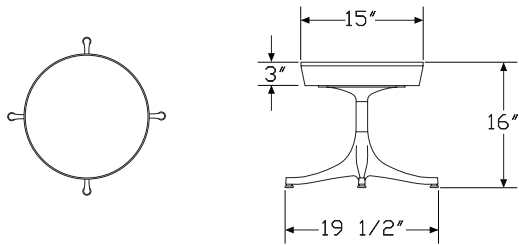
Description

This 16"-high stool has a 4-star, aluminum base with adjustable glides and a 3"-thick upholstered foam seat.

Notes

Customers Own Material (COM) requires 1 yard.

Dimensions



HermanMiller Collection-Stools

Specification Information

Step 1.

PS16 A \$885

Step 2. Base Finish

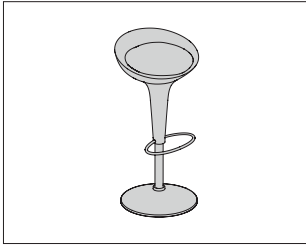
91 white A +\$0
98 studio white A +\$0
BK black A +\$0
L polished aluminum A +\$0

Step 3. Fabric

Price Category 1 +\$0
 Price Category 2 +\$29
 Price Category 3 +\$55
 Price Category (Geiger) 3 +\$55
 Price Category 4 +\$83
 Price Category (Geiger) 4 +\$83
 Price Category 5 +\$129
 Price Category (Geiger) 5 +\$98
 Price Category 6 +\$0
 Price Category (Geiger) 6 +\$108
 Price Category 7 +\$175
 Price Category (Geiger) 7 +\$175
 Price Category 8 +\$200
 Price Category (Geiger) 9 +\$200
 Price Category (Geiger) 10 +\$190
 Price Category 11 +\$332
 Price Category C +\$57
 Price Category F +\$92
 Price Category G +\$119
 Price Category H +\$145
 Price Category I +\$170
 Price Category J +\$196
 Price Category K +\$221
 Price Category L +\$247
 Price Category M +\$272
 Price Category N +\$298
 Price Category Q +\$375
 Price Category X +\$968
 Price Category Y +\$1019

Al Bombo® Stool

MGB20.



Product Information

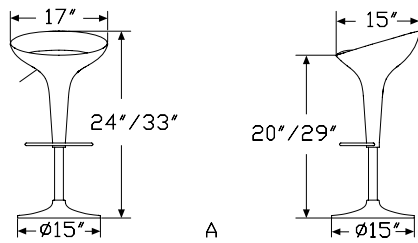
Description

This swivel bar stool has an adjustable height with gas piston. The base, frame, footrest and handle are stainless steel. The seat is polished die-cast aluminum.

Notes

Stool is flame retardant.

Dimensions



Specification Information

Step 1.

MGB20. [A]

Step 2. Height Adjustment

A adjustable height [A]

Prices for Steps 1-2.

MGB20.A

\$1559

Al Bombo® Kit

MGB90.

Product Information

Description

This care kit is recommended to maintain brilliance of aluminum, which is likely to dull overtime.

Notes

Care kit contains:

- 1 tube of abrasive paste (250 gr.)
- 1 tube of protection paste (250 gr.)
- 1 set of special cleaning paper

Specification Information

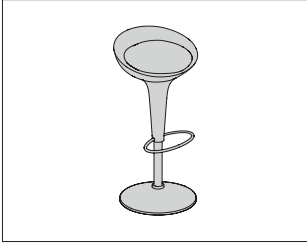
Step 1.

MGB90. A

\$168

Bombo® Stool

MGB21.

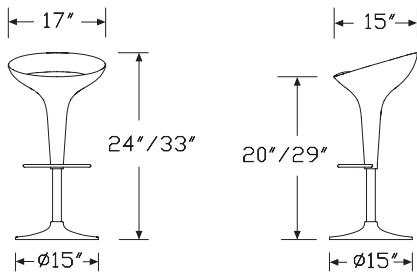


Product Information

Description

This swivel bar stool has an adjustable height with gas piston. The base is steel finished in chrome, and the seat is ABS.

Dimensions



Specification Information

Step 1.

MGB21.

Step 2. Height Adjustment

A adjustable height

Prices for Steps 1-2.

MGB21.A \$896

Step 3. Seat Finish

YDF	brown <input type="checkbox"/>	+\$0
YDM	grey anthracite <input type="checkbox"/>	+\$0
YDT	red <input type="checkbox"/>	+\$0
YDW	white <input type="checkbox"/>	+\$0

Herman Miller Collection—Stools

Deja-Vu Stool

MGD20.



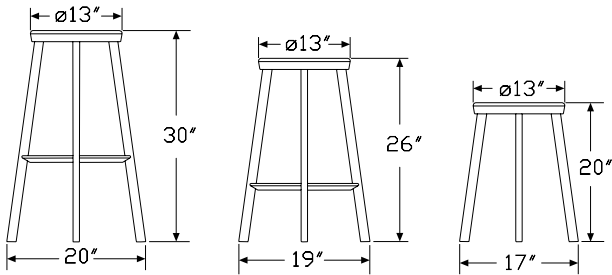
HermanMiller Collection-Stools

Product Information

Description
 This bar stool is available in a high, medium, and low height. The seat and leg finishes are available in black, white, and polished aluminum.

Notes
 Black (YFB) finish is suitable for outdoor use.
 Polished aluminum (YFD) finish is NOT suitable for outdoor use.

Dimensions



Specification Information

Step 1.

MGD20. A

Step 2. Height

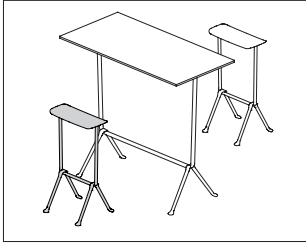
- L** low height A
- M** medium height
- H** high height

Prices for Steps 1-2.

MGD20.L	\$389
M	\$511
H	\$533

Step 3. Seat/Leg Finish

		L	M	H
YFB	black <input type="checkbox"/> A	+\$0	0	0
YFD	polished aluminum <input type="checkbox"/> A	+\$101	102	92

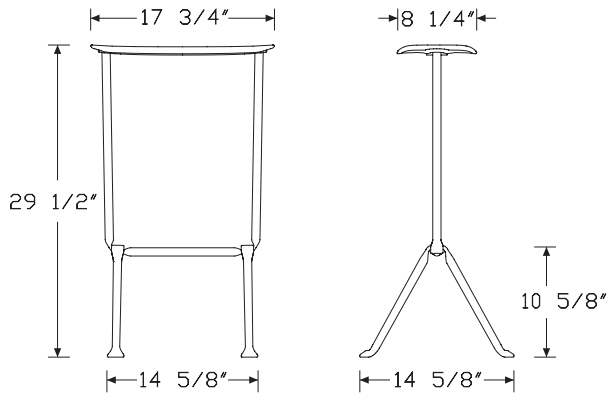


Product Information

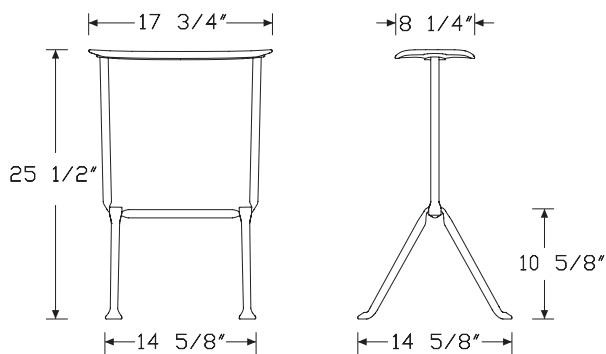
Description

This stool has a wrought iron frame available in a galvanized or painted black finish. It is available in high and medium heights. The seat is polypropylene, beech plywood, fabric or leather available in several colors. Stool sold individually. Ships assembled.

Dimensions



High height



Medium height

Specification Information

Step 1.

SD207X

Step 2. Height

H high height

M medium height

Step 3. Seat

F fabric upholstery

L leather upholstery

P polypropylene

W plywood

Prices for Steps 1-3.

	F	L	P	W
SD207X H	\$1089	1169	649	719
M	\$1069	1149	629	699

Step 4. Frame Finish

GLV galvanized +\$0

YCB black +\$0

Step 5. Seat Finish

For polypropylene (P)

DKG dark green +\$0

YCB black +\$0

MTG metallized grey +\$0

For leather upholstery (L)

YNL natural +\$0

BLK black +\$0

For plywood (W)

YNC natural beech +\$0

YNM black beech +\$0

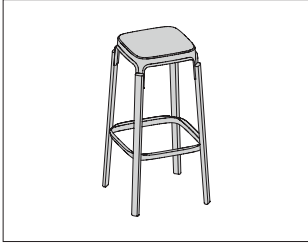
For fabric upholstery (F)

Price Category G +\$0

Price Category H +\$0

Steelwood Stool

MGS20.

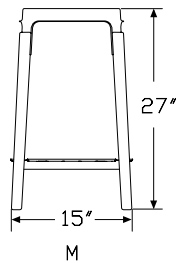
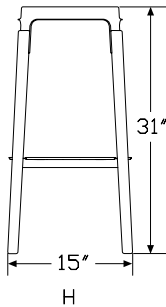
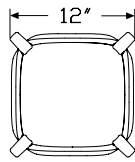
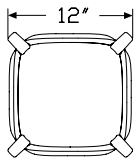


Product Information

Description

This bar stool is natural beech or oak and comes in high and medium height. The seat and footrest consist of steel plates painted in epoxy resin. The legs are solid beech or oak, available in natural or painted.

Dimensions



HermanMiller Collection-Stools

Specification Information

Step 1.

MGS20. A

Step 2. Height

M medium height

H high height

Prices for Steps 1-2.

MGS20.M	\$600
H	\$620

Step 3. Leg/Seat/Footrest Finish

YHH	grey anthracite <input type="checkbox"/> A	+\$0
YMB	black <input type="checkbox"/> A	+\$0
YMF	white	+\$0
YMK	natural beech and black <input type="checkbox"/> A	+\$0
YMP	grey <input type="checkbox"/> A	+\$0
YMM	natural beech and white	+\$0
YNP	dark beech and black <input type="checkbox"/> A	+\$0
YNQ	natural oak and white <input type="checkbox"/> A	+\$80
YNR	natural oak and black	+\$80
YNS	natural oak and grey <input type="checkbox"/> A	+\$80
YNT	dark oak and grey anthracite <input type="checkbox"/> A	+\$80
YWF	walnut and black <input type="checkbox"/> A	+\$150



Product Information

Description

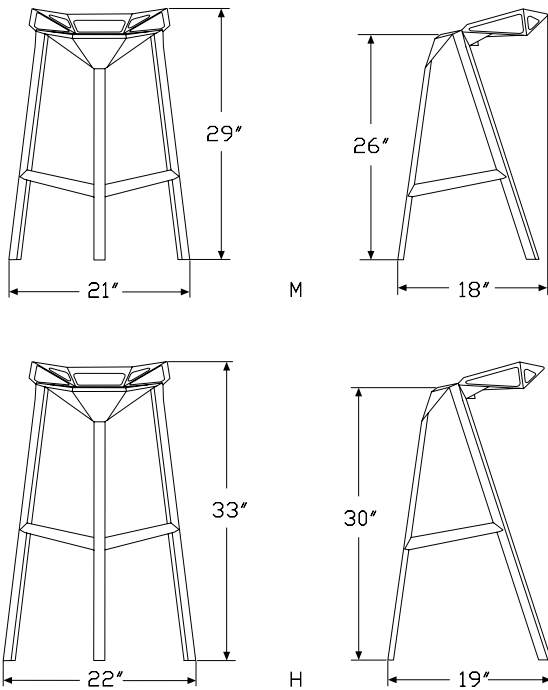
This bar stool comes in a high and medium height. The seat and leg finishes available are painted aluminum, polished aluminum and anodized aluminum black. Bar stools can stack up to 4 high. Package contains 2 bar stools.

Notes

Stool is flame retardant.

Polished aluminum (AL) finish is NOT suitable for outdoor use.

Dimensions



Specification Information

Step 1.

MGE20. [A]

Step 2. Height

M medium height [A]

H high height [A]

Step 3. Seat/Leg Material

AM painted aluminum [A]

AB anodized aluminum black [A]

AL polished aluminum [A]

Prices for Steps 1-3.

	AM	AB	AL
MGE20.M	\$965	1017	1545
H	\$1028	1071	1609

Step 4. Seat/Leg Finish

For painted aluminum (AM)

YHM red [A]			+\$0
YHP white [A]			+\$0
HAA ADAPTA grey [A]			+\$240
HAB ADAPTA white [A]			+\$240
HAC ADAPTA grey/green [A]			+\$240
HAD ADAPTA blue [A]			+\$240

For anodized aluminum black (AB)

YHB black [A]			+\$0
----------------------	--	--	------

For anodized aluminum black (AB)

YHB black [A]			+\$0
----------------------	--	--	------

Stool_One Cushion

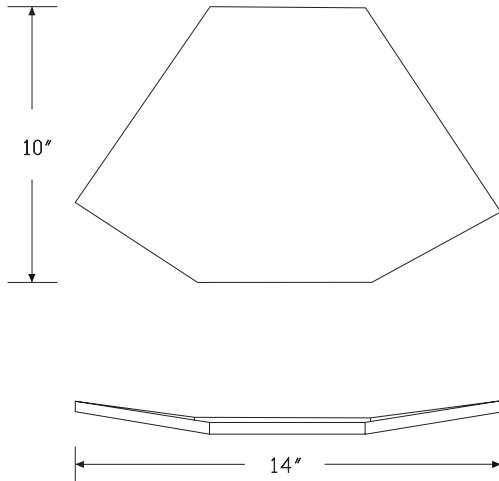
MGE91.



Product Information

Description
This cushion works on Stool_One. Package contains 2 seat cushions.

Dimensions



Specification Information

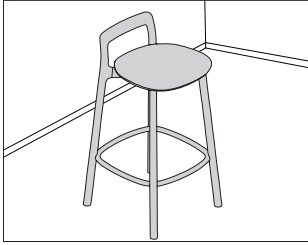
Step 1.
MGE91. A \$317

Step 2. Fabric
YHC black leather A +\$257
YHK natural leather A +\$257

HermanMiller Collection-Stools

Branca Stool

MGR20.

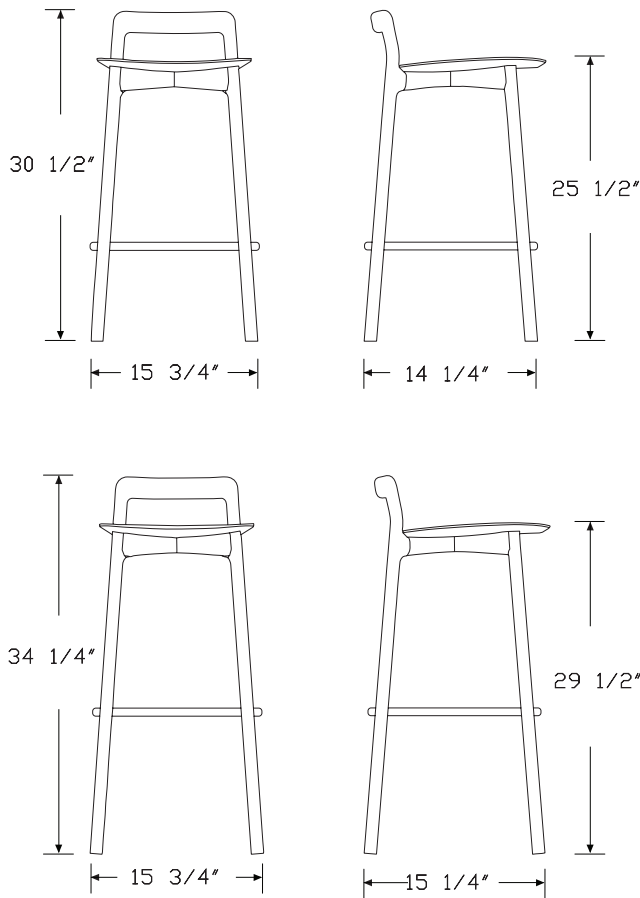


Product Information

Description

This stool has an ash frame and comes in 2 heights and 5 finishes. The foot ring is painted metal in black or white. Upholstered seat cushion is removable.

Dimensions



Specification Information

Step 1.

MGR20. A

Step 2. Stool Height

M medium height A

H high height

Step 3. Upholstery

N no upholstery A

U upholstered seat A

Prices for Steps 1-3.

	N	U
MGR20.M	\$1109	1659
H	\$1129	1679

Step 4. Leg/Seat Finish

YRC chocolate/natural seat ash A +\$0

YRD green wax ash A +\$0

YRF natural wax ash A +\$0

YRG white anilin ash A +\$0

YRH black mat anilin ash A +\$0

Step 5. Stool Ring Finish

YBC black A +\$0

YDW white A +\$0

Step 6. Fabric

For upholstered seat (U)

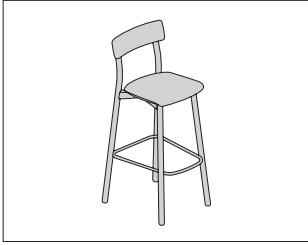
YNV01 novum cocos A +\$0

YNV03 novum moss A +\$0

YNV05 novum pepper A +\$0

Chiaro Stool

MGCH03



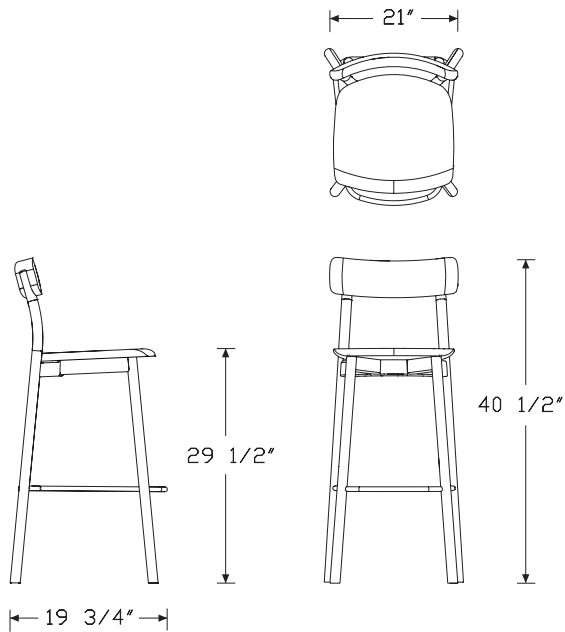
HermanMiller Collection-Stools

Product Information

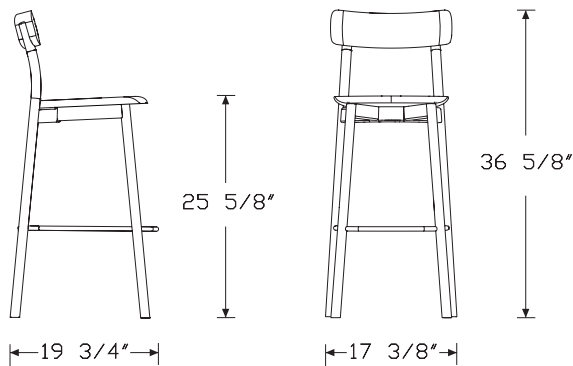
Description

This solid wood bar height stool is available in natural oak or ash in a selection of finishes.

Dimensions



High Height



Medium Height

Specification Information

Step 1.

MGCH03. A

Step 2. Height

H high height A

Step 3. Arm Option

N no arms A

Prices for Steps 1-3.

	N
MGCH03. H	\$1060

Step 4. Frame

YSA ash <input type="checkbox"/> A	+\$0
YFC oak <input type="checkbox"/> A	+\$250

Step 5. Finish

For ash (YSA)

YBC black <input type="checkbox"/> A	+\$0
YBP white <input type="checkbox"/> A	+\$0
YDC blue <input type="checkbox"/> A	+\$0
YLW yellow <input type="checkbox"/> A	+\$0
YMP grey <input type="checkbox"/> A	+\$0
YNL natural <input type="checkbox"/> A	+\$0
YRK dark red <input type="checkbox"/> A	+\$0

For oak (YFC)

YNL natural <input type="checkbox"/> A	+\$0
---	------

She Said Stool

MGH03.



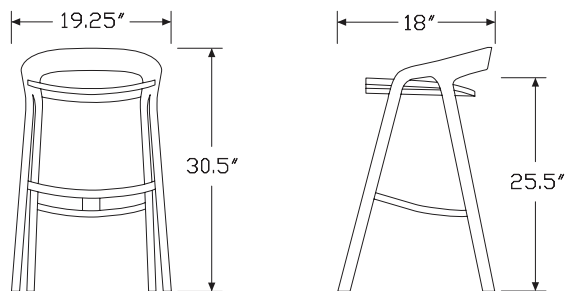
Product Information

Description

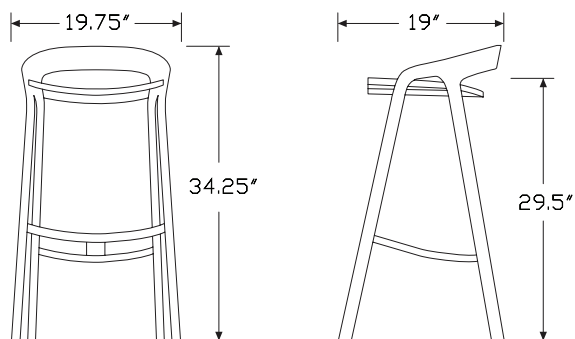
This solid wood stool is available in an ash frame. Seat is available with or without upholstery.

Dimensions

Medium Height



High Height



Specification Information

Step 1.

MGH03.

Step 2. Height

M medium height **A**

H high height

Step 3. Upholstery

N no upholstery

U upholstered seat

Prices for Steps 1-3.

	N	U
MGH03.M	\$1475	2273
H	\$1495	2294

Step 4. Frame Finish

YQB black anilin ash **A** +\$0

YRG white anilin ash **A** +\$0

ZQ5 anilin ash neon blue +\$0

YQC natural ash +\$60

Step 5. Fabric

For upholstered seat (U)

YDG01 topia ebony +\$0

YDG02 topia anthrazit +\$0

YDG03 topia chrome +\$0

YDG04 topia moon +\$0

YDG05 topia snow +\$0

YDG06 topia orion +\$0

YDG07 topia azur +\$0

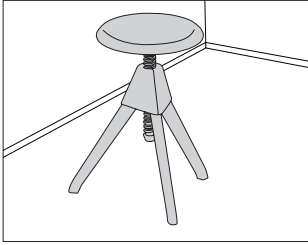
YDG08 topia seashell +\$0

YDG09 topia litchi +\$0

YDG10 topia heart +\$0

Tom & Jerry Stool

MGTJ20



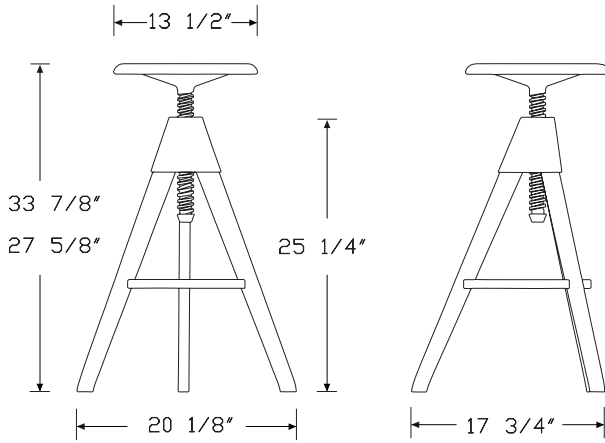
HermanMiller Collection-Stools

Product Information

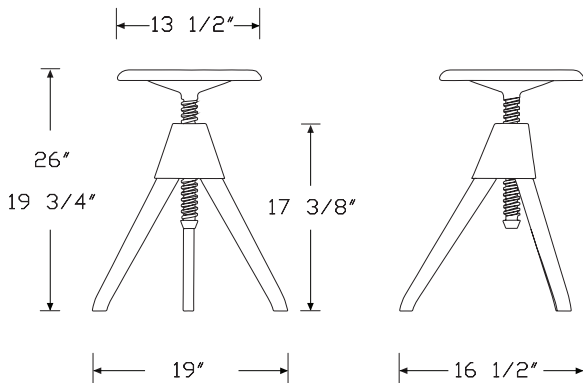
Description

This swivel stool is height adjustable and has a solid beech frame and seat in natural finish or painted black. Joint and screw are glass filled polypropylene available in 4 colors. Available in medium and high heights.

Dimensions



Tom Stool



Jerry Stool

Specification Information

Step 1.

MGTJ20.

Step 2. Height

- J medium height
- T high height

Prices for Steps 1-2.

MGTJ20. J	\$620
T	\$800

Step 3. Frame Finish

YNL natural	+\$0
YNG black <input type="checkbox"/>	+\$20

Step 4. Joint and Screw Finish

For natural (YNL)

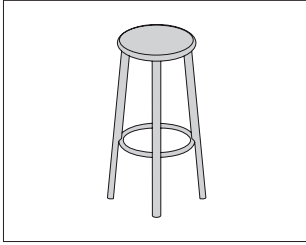
YBP white	+\$0
YBC black <input type="checkbox"/>	+\$0

For black (YNG)

YBC black <input type="checkbox"/>	+\$0
---	------

Solo Stool

MGZ02.

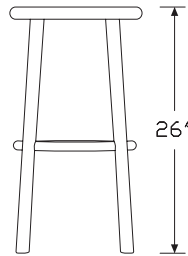
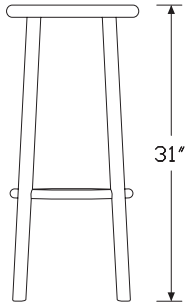
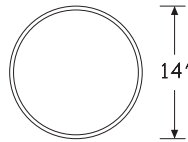
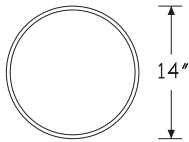


Product Information

Description

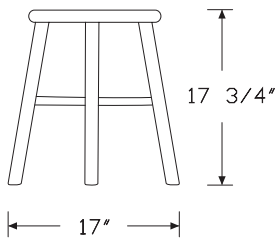
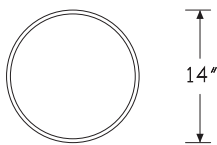
This solid wood stool is available in an ash or oak frame.

Dimensions



High height

Medium height



Low height

Specification Information

Step 1.

MGZ02.

Step 2. Height

L low height

M medium height

H high height

Step 3. Upholstery

For low height (L)

N no upholstery

For medium height (M) or high height (H)

N no upholstery

S upholstered seat

Prices for Steps 1-3.

	N	S
MGZ02.L	\$730	—
M	\$730	930
H	\$730	930

Step 4. Frame Finish

ZQ1 dark red anilin ash <input type="checkbox"/>	+\$0
ZQA anilin ash blue/black <input type="checkbox"/>	+\$0
ZQB anilin ash white <input type="checkbox"/>	+\$0
ZQC anilin ash neon blue <input type="checkbox"/>	+\$0
ZQM anilin ash turquoise <input type="checkbox"/>	+\$0
ZQS natural ash <input type="checkbox"/>	+\$0
ZQU natural oak waxed <input type="checkbox"/>	+\$150

Step 5. Fabric

For upholstered seat (S)

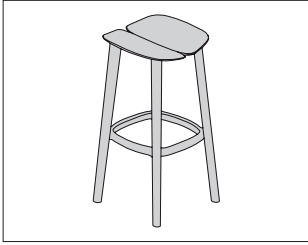
YDD13 white <input type="checkbox"/>	+\$0
YDD14 red <input type="checkbox"/>	+\$0
YDD16 dark grey <input type="checkbox"/>	+\$0
YDD17 black blue <input type="checkbox"/>	+\$0
YDD19 green <input type="checkbox"/>	+\$0

Step 6. Stool Ring Finish

ZQ8 black blue <input type="checkbox"/>	+\$0
ZQ9 grey <input type="checkbox"/>	+\$0
ZQL white <input type="checkbox"/>	+\$0
ZQQ red <input type="checkbox"/>	+\$0

Osso Stool

MGJ01.



Product Information

Description

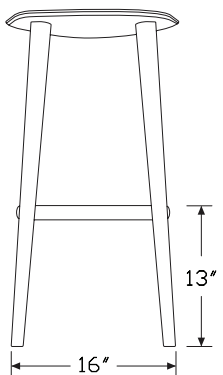
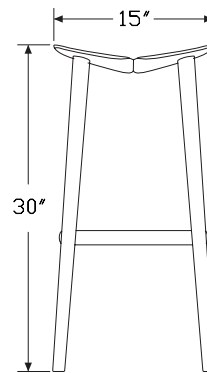
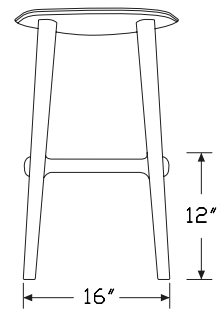
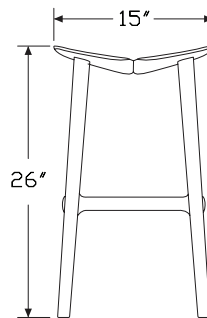
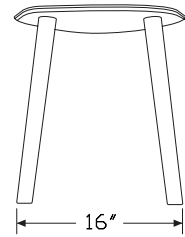
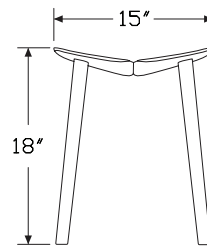
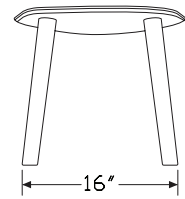
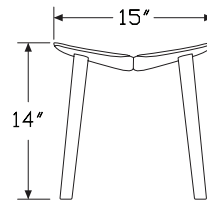
This solid wood stool is available in an ash or oak frame.

Notes

Upholstery not shown.

HermanMiller Collection-Stools

Dimensions



Specification Information

Step 1.

MGJ01. A

Step 2. Height

- 14** 14" high A
- 18** 18" high A
- 26** 26" high A
- 30** 30" high A

Step 3. Upholstery

- N** no upholstery A
- S** upholstered seat A

Prices for Steps 1-3.

	N	S
MGJ01. 14	\$850	1450
18	\$875	1475
26	\$1150	1750
30	\$1175	1775

Step 4. Frame Finish

- YSB** black wax ash A +\$0
- YSC** blue wax ash A +\$0
- YSD** green wax ash A +\$0
- YSF** dark grey wax ash A +\$0
- YSG** natural wax ash A +\$0
- YSH** pink wax ash A +\$0
- YSJ** white wax ash A +\$0
- YSL** natural wax oak A +\$150

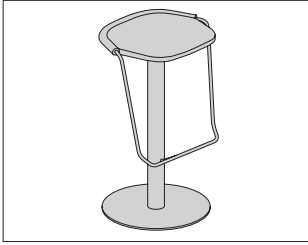
Step 5. Fabric

For upholstered seat (S)

- YGR01** gravel 139 A +\$0
- YGR02** gravel 149 A +\$0
- YGR03** gravel 179 A +\$0

Uncino Stool

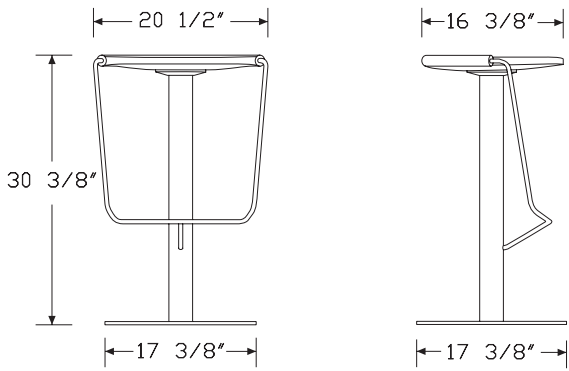
MC9S.



Product Information

Description
 This wood stool is available with an ash or oak seat and wire footrest.

Dimensions



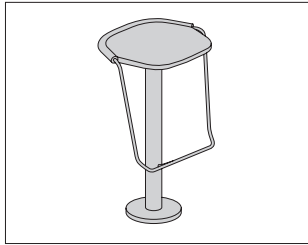
Specification Information

Step 1.		
MC9S.	A	\$1800
Step 2. Finish		
YQB	black anilin ash A	+\$0
YQC	natural ash A	+\$0
YFC	natural oak A	+\$180

HermanMiller Collection-Stools

Uncino Stool, Fixed

MC9F.

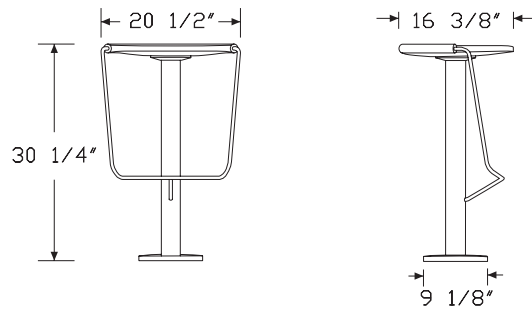


Product Information

Description

This solid wood stool is available with an ash or oak seat and wire footrest. Stool is to be fixed to the floor.

Dimensions



Specification Information

Step 1.

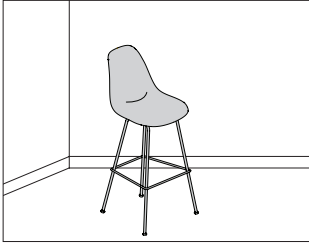
MC9F. A \$1900

Step 2. Finish

YQC	natural ash	A	+\$0
YQB	black anilin ash	A	+\$0
YFC	natural oak	A	+\$180

Eames® Molded Fiberglass Stool

DFHBX.
DFHCX.



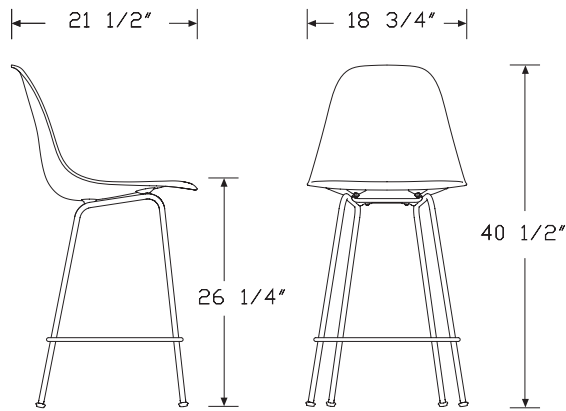
HermanMiller Collection—Stools

Product Information

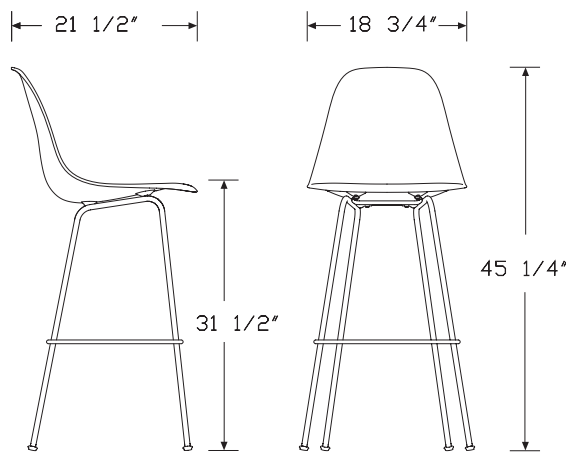
Description

This stool has a single-piece nonupholstered shell with waterfall edges and molded fiberglass seat and flexible back. Standard glides can be ordered with or without felt. Ships assembled.

Dimensions



counter height



bar height

Specification Information

Step 1.

DFH

Step 2. Base Height

CX. counter height stool

BX. bar height stool

Prices for Steps 1-2.

DFHCX.	\$839
DFHBX.	\$859

Step 3. Base Finish

91	white	+\$0
BK	black	+\$0
47	trivalent chrome	+\$40

Step 4. Seat/Back Finish

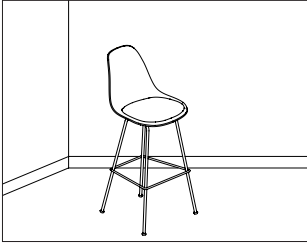
111	parchment	+\$0
112	elephant hide grey	+\$0
113	ultramarine blue	+\$0
114	red orange	+\$0
115	lemon yellow	+\$0
116	green	+\$0
117	navy blue	+\$0
118	black	+\$0
119	seal brown	+\$0

Step 5. Glide Option

E8	standard glide	+\$0
E9	standard glide with felt bottom	+\$25

Eames® Upholstered Molded
Fiberglass Stool

DFHBX.
DFHCX.



Product Information

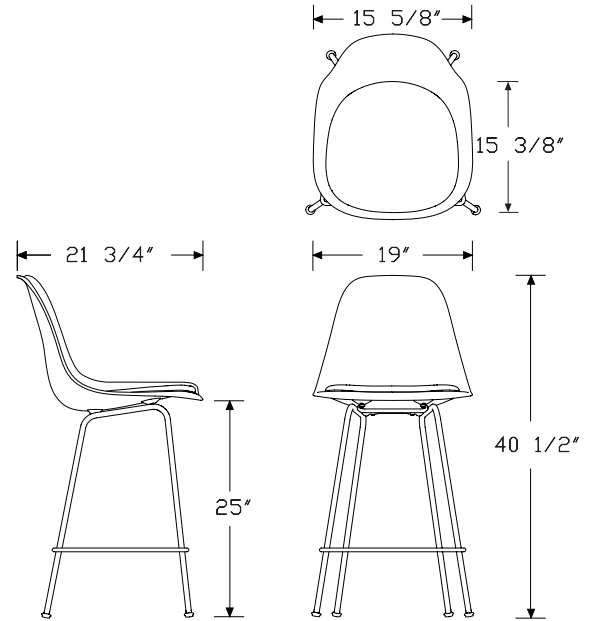
Description

This stool has a molded 1-piece construction with waterfall edges, molded fiberglass seat and flexible back. It has a fully upholstered shell or an attached upholstered seat pad. Seat pad is easily removable for cleaning or reupholstery. Standard glides can be ordered with or without felt. Ships assembled.

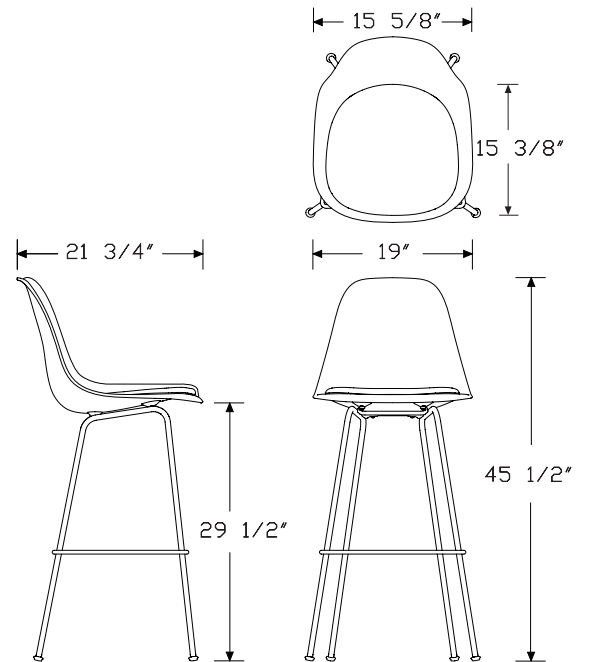
Notes

Seat pad is upholstered with textiles or leather for indoor use only.
For upholstered seat pad (P), Customer's Own Material (COM) requires 1 yard. Customer's Own Leather (COL) requires 9 square feet. See Order Information in appendices.

Dimensions



counter height



bar height

HermanMiller Collection—Stools

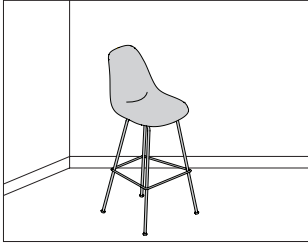
Eames® Upholstered Molded Fiberglass Stool *continued*

Specification Information		
Step 1.		
DFH	<input type="checkbox"/>	A
Step 2. Base Height		
CX.	counter height	<input type="checkbox"/> A
BX.	bar height	<input type="checkbox"/> A
Step 3. Upholstery		
U	fully upholstered shell	<input type="checkbox"/> A
P	upholstered seat pad	<input type="checkbox"/> A
Prices for Steps 1-3.		
DFHCX. U		\$1014
P		\$909
DFHBX. U		\$1034
P		\$929
Step 4. Base Finish		
91	white	<input type="checkbox"/> A +\$0
BK	black	<input type="checkbox"/> A +\$0
47	trivalent chrome	<input type="checkbox"/> A +\$40
Step 5. Seat/Back Finish		
111	parchment	<input type="checkbox"/> A +\$0
112	elephant hide grey	<input type="checkbox"/> A +\$0
113	ultramarine blue	<input type="checkbox"/> A +\$0
114	red orange	<input type="checkbox"/> A +\$0
115	lemon yellow	<input type="checkbox"/> A +\$0
116	green	<input type="checkbox"/> A +\$0
117	navy blue	<input type="checkbox"/> A +\$0
118	black	<input type="checkbox"/> A +\$0
119	seal brown	<input type="checkbox"/> A +\$0
Step 6. Edge Finish		
<i>For fully upholstered shell (U)</i>		
111	parchment	<input type="checkbox"/> A +\$0
BK	black	<input type="checkbox"/> A +\$0
ZF	white	<input type="checkbox"/> A +\$0

Step 7. Upholstery	
<i>For fully upholstered shell (U)</i>	
Price Category 2	+\$25
Price Category 5	+\$59
Price Category 7	+\$111
Price Category 8	+\$146
Price Category B	+\$45
Price Category G	+\$212
Price Category H	+\$212
Price Category K	+\$380
<i>For upholstered seat pad (P)</i>	
Price Category 1	+\$0
Price Category 2	+\$25
Price Category 4	+\$33
Price Category 5	+\$59
Price Category 7	+\$111
Price Category 8	+\$146
Price Category 9	+\$209
Price Category 11	+\$254
Price Category G	+\$170
Price Category H	+\$210
Price Category K	+\$380
Step 8. Glide Option	
E8	standard glide <input type="checkbox"/> A +\$0
E9	standard glide with felt bottom <input type="checkbox"/> A +\$25

Eames® Molded Plastic Stool

DSHBX.
DSHCX.

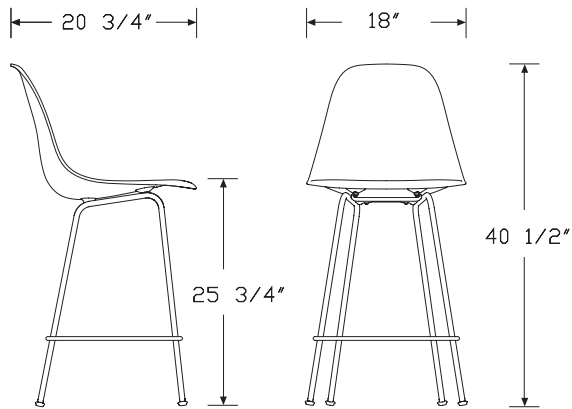


Product Information

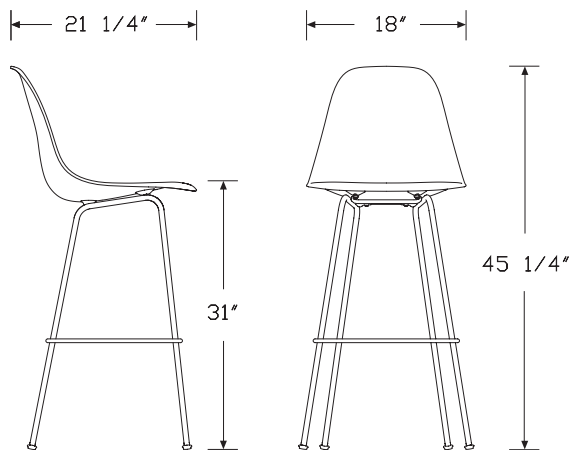
Description

This stool has a single-piece nonupholstered shell with waterfall edges and molded plastic seat and flexible back. Standard glides can be ordered with or without felt. Ships assembled.

Dimensions



counter height



bar height

Specification Information

Step 1.

DSH

Step 2. Base Height

CX. counter height stool

BX. bar height stool

Prices for Steps 1-2.

DSHCX.	\$559
DSHBX.	\$579

Step 3. Base Finish

91	white	+\$0
BK	black	+\$0
47	trivalent chrome	+\$40

Step 4. Seat/Back Finish

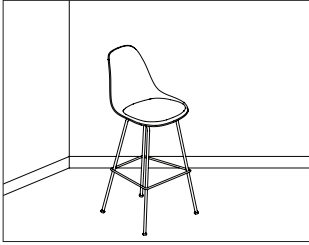
4T	aqua sky	+\$0
5B	java	+\$0
9J	sparrow	+\$0
BLE	blue ice	+\$0
BLH	blush	+\$0
CHL	charcoal	+\$0
KGR	kelly green	+\$0
PBL	peacock blue	+\$0
PYW	pale yellow	+\$0
STN	stone	+\$0
ZA	black	+\$0
ZE	red orange	+\$0
ZF	white	+\$0
ZM	alpine	+\$0

Step 5. Glide Option

E8	standard glide	+\$0
E9	standard glide with felt bottom	+\$25

Eames® Upholstered Molded Plastic Stool

DSHBX.
DSHCX.



Product Information

Description

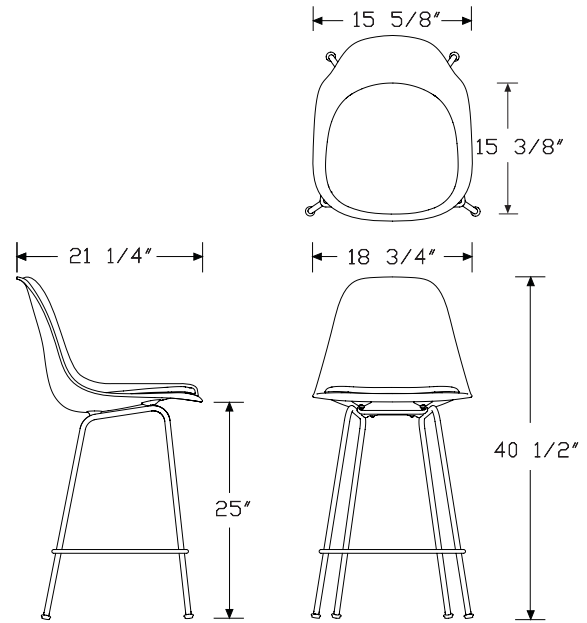
This stool has a molded 1-piece construction with waterfall edges, molded plastic seat and flexible back. It has a fully upholstered shell or an attached upholstered seat pad. Seat pad is easily removable for cleaning or replacement. Standard glides can be ordered with or without felt. Ships assembled.

Notes

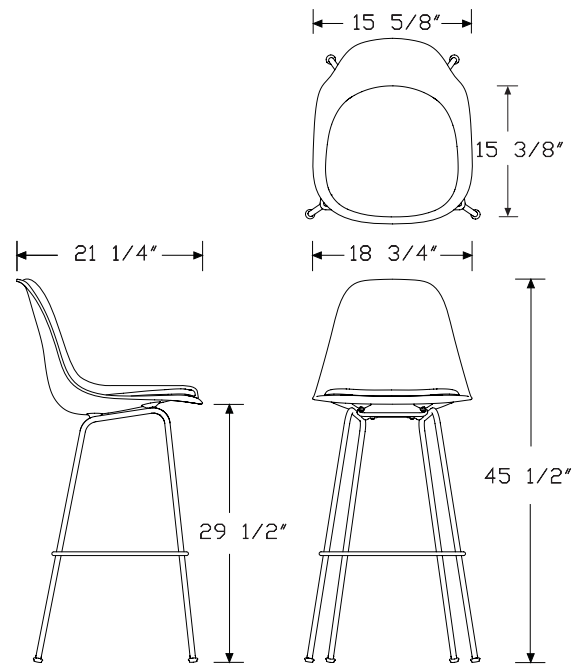
Seat pad is upholstered with textiles or leather for indoor use only.
For upholstered seat pad (P), Customer's Own Material (COM) requires 1 yard. Customer's Own Leather (COL) requires 9 square feet. See Order Information in appendices.

HermanMiller Collection—Stools

Dimensions



Counter Height



Bar Height

Eames® Upholstered Molded Plastic Stool *continued*

Specification Information

Step 1.

DSH A

Step 2. Base Height

CX. counter height A

BX. bar height A

Step 3. Upholstery

U fully upholstered shell A

P upholstered seat pad A

Prices for Steps 1-3.

DSHCX.U	\$771
P	\$629

DSHBX.U	\$791
P	\$649

Step 4. Base Finish

91 white A +\$0

BK black A +\$0

47 trivalent chrome A +\$40

Step 5. Seat/Back Finish

4T aqua sky A +\$0

5B java A +\$0

9J sparrow A +\$0

BLE blue ice A +\$0

BLH blush A +\$0

CHL charcoal A +\$0

KGR kelly green A +\$0

PBL peacock blue A +\$0

PYW pale yellow A +\$0

STN stone A +\$0

ZA black A +\$0

ZE red orange A +\$0

ZF white A +\$0

ZM alpine A +\$0

Step 6. Edge Finish

For fully upholstered shell (U)

111 parchment A +\$0

BK black A +\$0

ZF white A +\$0

Step 7. Upholstery

For fully upholstered shell (U)

Price Category 2 +\$25

Price Category 5 +\$59

Price Category 7 +\$111

Price Category 8 +\$146

Price Category B +\$45

Price Category G +\$0

Price Category H +\$212

Price Category K +\$380

For upholstered seat pad (P)

Price Category 1 +\$0

Price Category 2 +\$25

Price Category 4 +\$33

Price Category 5 +\$59

Price Category 7 +\$111

Price Category 8 +\$146

Price Category 9 +\$209

Price Category 11 +\$254

Price Category G +\$170

Price Category H +\$210

Price Category K +\$380

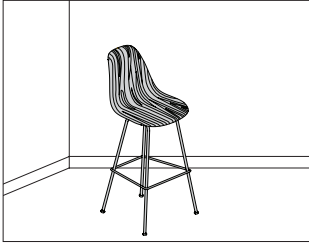
Step 8. Glide Option

E8 standard glide A +\$0

E9 standard glide with felt bottom A +\$25

Eames® Molded Wood Stool

DWHBX.
DWHCX.



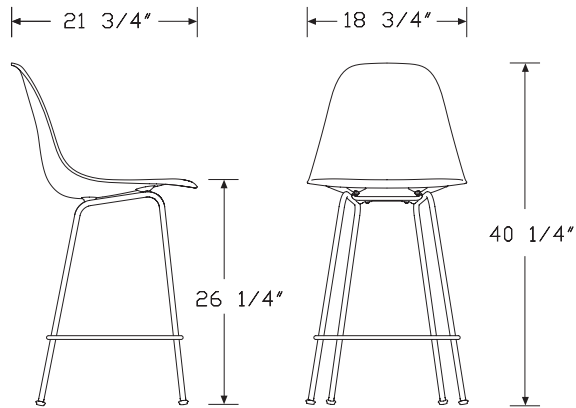
HermanMiller Collection—Stools

Product Information

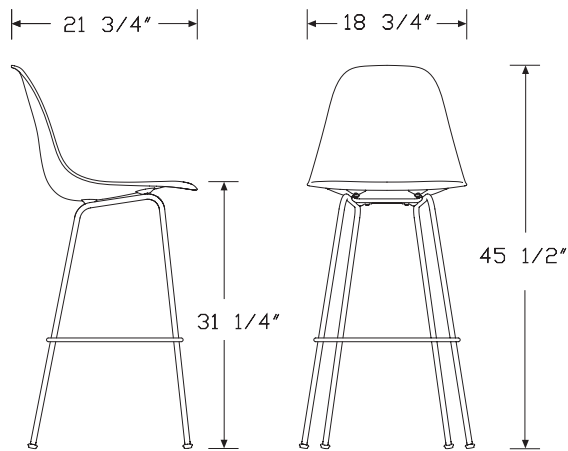
Description

This stool has a single-piece molded construction with waterfall edges, and is 0.260" thick. Base is attached by nonremovable wooden shock mounts. Standard glides can be ordered with or without felt. Ships assembled.

Dimensions



counter height



bar height

Specification Information

Step 1.

DWH

Step 2. Base Height

CX. counter height stool

BX. bar height stool

Prices for Steps 1-2.

DWHCX.	\$1149
DWHBX.	\$1169

Step 3. Base Finish

91	white	+\$0
BK	black	+\$0
47	trivalent chrome	+\$40

Step 4. Seat/Back Finish

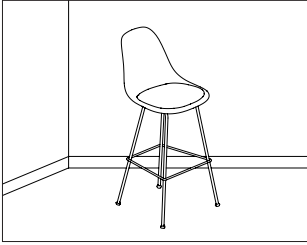
OU	walnut	+\$0
A2	white ash	+\$116
EN	ebony	+\$116
9N	santos palisander	+\$289

Step 5. Glide Option

E8	standard glide	+\$0
E9	standard glide with felt bottom	+\$25

Eames® Upholstered Molded Wood Stool

DWHBX.
DWHCX.



Product Information

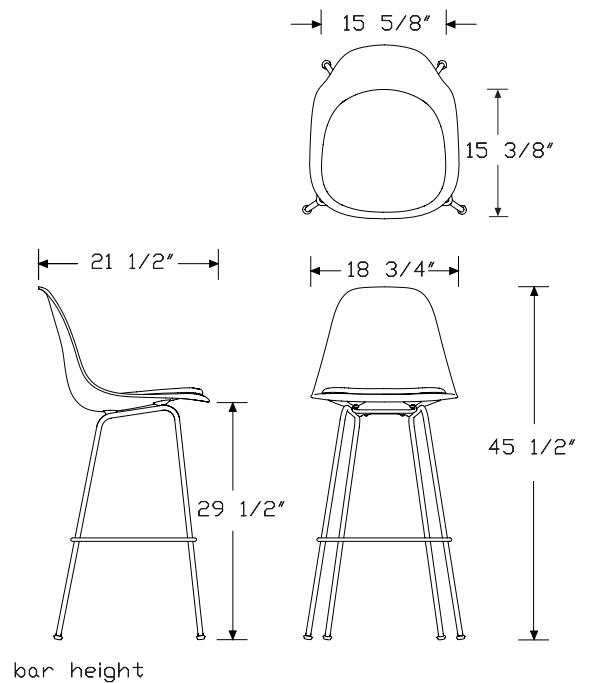
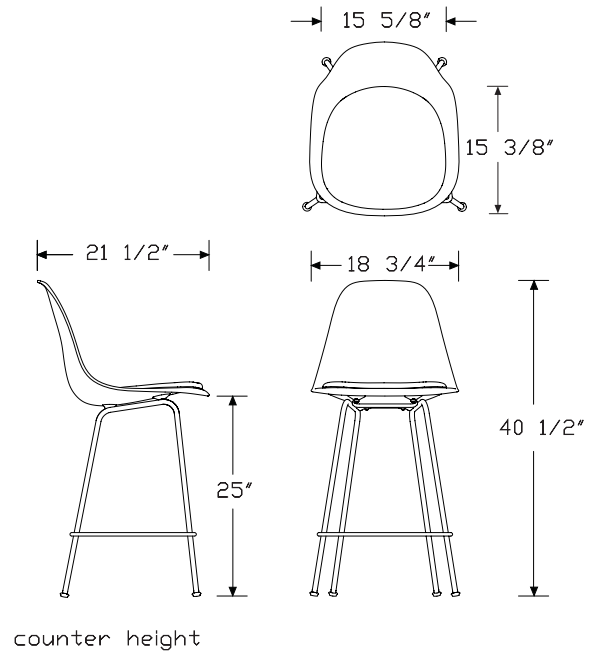
Description

This stool has a molded 1-piece construction with waterfall edges, and is 0.260" thick. It comes with an attached upholstered seat pad that is easily removable for cleaning or reupholstery. Base is attached by nonremovable wooden shock mounts. Base options include bar and counter heights. Standard glides can be ordered with or without felt. Ships assembled.

Notes

Seat pad is upholstered with textiles or leather for indoor use only. Customer's Own Material (COM) requires 1 yard. Customer's Own Leather (COL) requires 9 square feet. See Order Information in appendices.

Dimensions



Eames® Upholstered Molded Wood Stool *continued*

Specification Information		
Step 1.		
DWH	<input type="checkbox"/>	
Step 2. Base Height		
BX.	bar height <input type="checkbox"/>	
CX.	counter height <input type="checkbox"/>	
Step 3. Upholstery		
P	upholstered seat pad <input type="checkbox"/>	
Prices for Steps 1-3.		
DWHBX.P		\$1239
DWHCX.P		\$1219
Step 4. Base Finish		
91	white <input type="checkbox"/>	+\$0
BK	black <input type="checkbox"/>	+\$0
47	trivalent chrome <input type="checkbox"/>	+\$40
Step 5. Seat/Back Finish		
OU	walnut <input type="checkbox"/>	+\$0
A2	white ash <input type="checkbox"/>	+\$116
EN	ebony <input type="checkbox"/>	+\$116
9N	santos palisander <input type="checkbox"/>	+\$289
Step 6. Upholstery		
Price Category 1		+\$0
Price Category 2		+\$25
Price Category 4		+\$33
Price Category 5		+\$59
Price Category 7		+\$111
Price Category 8		+\$146
Price Category 9		+\$209
Price Category 11		+\$254
Price Category G		+\$170
Price Category H		+\$210
Price Category K		+\$380
Step 7. Glide Option		
E8	standard glide <input type="checkbox"/>	+\$0
E9	standard glide with felt bottom <input type="checkbox"/>	+\$25

Eames® Wire Stool

DKHBX.
DKHCX.



Product Information

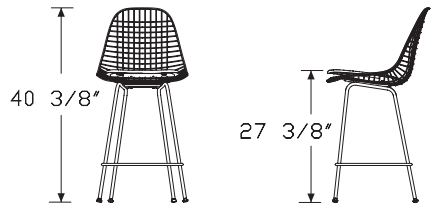
Description

This stool has a wire shell, a wire shell with upholstered seat and back, or a wire shell with upholstered seat and wire back. It comes in bar height or counter height. Wire shell and metal bases are available in trivalent chrome, white or black. Stool comes with standard indoor glides with or without felt. Suitable for indoor use only.

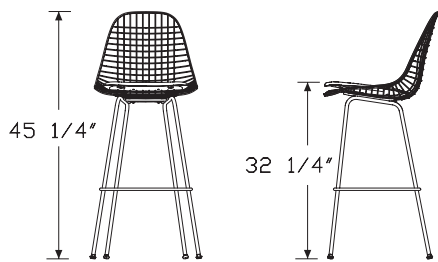
Notes

Customer's Own Material (COM) requires 1 yard. See Order Information in appendices.

Dimensions



Counter Height, Upholstered Seat



Bar Height, Upholstered Seat

Specification Information

Step 1.

DKH A

Step 2. Base Height

BX. bar height stool A

CX. counter height stool A

Step 3. Seat/Back Material

0 wire shell

5 wire shell/upholstered seat/wire back

Prices for Steps 1-3.

DKHBX.0	\$1075
5	\$1325

DKHCX.0	\$1055
5	\$1305

Step 4. Seat Frame/Leg Finish

47	trivalent chrome	+\$40
91	white	+\$0
BK	black	+\$0

Step 5. Upholstery

For wire shell/upholstered seat/wire back (5)

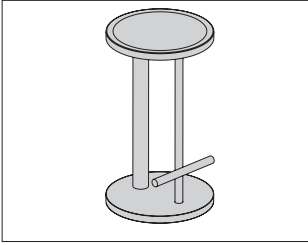
Price Category 1 <input type="checkbox"/> A	+\$0
Price Category 2	+\$25
Price Category 4	+\$33
Price Category 5	+\$59
Price Category 9	+\$209
Price Category 11	+\$254
Price Category G	+\$170
Price Category H	+\$210
Price Category K	+\$380

Step 6. Glide Option

E8	standard glide <input type="checkbox"/> A	+\$0
E9	standard glide with felt bottom <input type="checkbox"/> A	+\$25

Spot Stool

MAS18
MAS24
MAS30



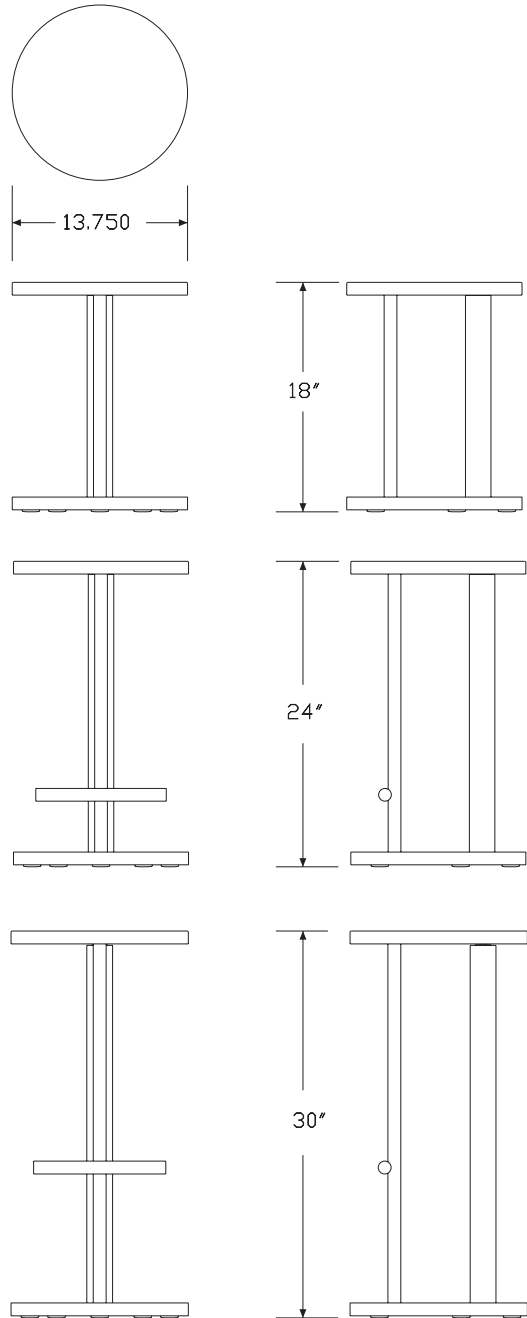
Product Information

Description

This wood and steel stool is available in an 18" occasional height, 24" counter height, and 30" bar height. Counter and bar height stools include a footrest. Stool diameter is 13³/₄".

HermanMiller Collection-Stools

Dimensions



Spot Stool *continued*

Specification Information

Step 1.

MAS

Step 2. Height

18 18" high

24 24" high

30 30" high

Prices for Steps 1-2.

MAS18 \$1455

MAS24 \$1475

MAS30 \$1495

Step 3. Wood Finish

A2 white ash +\$0

EN ebony on ash +\$0

OU walnut +\$100

Step 4. Metal Post and Footrest Finish

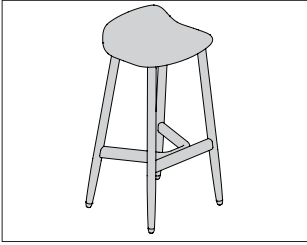
SAC satin chrome +\$0

BK black +\$0

BAS brass +\$50

Crosshatch Stool

SEB1B
SEB1C

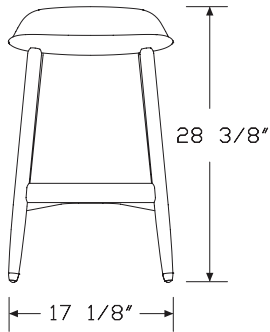


HermanMiller Collection-Stools

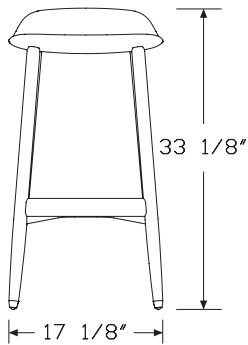
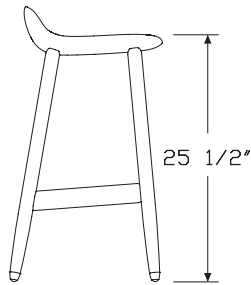
Product Information

Description
This solid wood stool is available in bar and counter height. Wood options are ash or walnut.

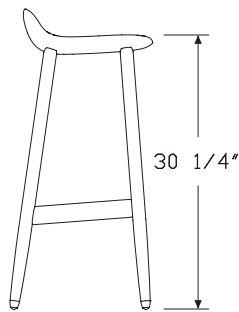
Dimensions



Counter Height



Bar Height



Specification Information

Step 1.

SEB1 A

Step 2. Configuration

CX counter height A

BX bar height A

Step 3. Frame Finish

A ash A

W walnut A

Prices for Steps 1-3.

SEB1CX A	\$1350
W	\$1750

SEB1BX A	\$1370
W	\$1770

Step 4. Wood Finish

Anigre Veneer - Low Sheen

For ash (A)

967	smoked paldao, low sheen <input type="checkbox"/> A	+\$0
969	warm paldao, low sheen <input type="checkbox"/> A	+\$0

Crosshatch Stool *continued*

Premium Veneer - Low Sheen

For ash (A)

G2U	light brown walnut, low sheen [A]	+\$0
G40	dark brown walnut, low sheen [A]	+\$0
940	sundance cherry on maple [A]	+\$0
943	caramel cherry [A]	+\$0
946	cocoa cherry [A]	+\$0
956	cocoa sapele [A]	+\$0
962	toasted walnut, low sheen [A]	+\$0
963	charred walnut, low sheen [A]	+\$0
964	bronzed walnut, low sheen [A]	+\$0
965	smoked walnut, low sheen [A]	+\$0
966	coffee walnut, low sheen [A]	+\$0
977	chocolate ash, low sheen [A]	+\$0
98R	recograin rosewood [A]	+\$0
991	champagne ash [A]	+\$0
998	ebony ash [A]	+\$0
99A	recograin frosty ash [A]	+\$0
99R	recograin rosewood [A]	+\$0
99T	recograin teak [A]	+\$0
9A1	white ash, quarter cut, low sheen [A]	+\$0
9K1	rift oak, rift cut, low sheen [A]	+\$0
9K6	burnt oak, rift cut, low sheen [A]	+\$0
ED	aged cherry [A]	+\$0
EK	medium red walnut [A]	+\$0
UX	walnut on cherry [A]	+\$0

Premium Veneer - Matte

For ash (A)

66A	recograin frosty ash [A]	+\$0
677	chocolate ash, matte sheen [A]	+\$0
68R	recograin rosewood [A]	+\$0
69A	recograin frosty ash [A]	+\$0
69R	recograin rosewood [A]	+\$0
69T	recograin teak [A]	+\$0
6A1	white ash [A]	+\$0
6K1	rift oak [A]	+\$0
6K6	burnt oak [A]	+\$0
ET	clear on ash [A]	+\$0
EU	oak on ash [A]	+\$0
EV	walnut on ash [A]	+\$0
GOU	natural walnut, flat cut, matte sheen [A]	+\$0

RecoGrain Veneer

For ash (A)

66G	recograin wenge [A]	+\$0
68W	recograin walnut, flat cut, matte sheen [A]	+\$0
69G	recograin wenge [A]	+\$0
69W	recograin walnut, quarter cut, matte sheen [A]	+\$0

Recon Veneer -

For ash (A)

98W	recograin walnut, flat cut, low sheen [A]	+\$0
99G	recograin wenge, quarter cut, low sheen [A]	+\$0
99W	recograin walnut, quarter cut, low sheen [A]	+\$0

Anigre Veneer - Low Sheen

For walnut (W)

967	smoked paldao, low sheen [A]	+\$0
969	warm paldao, low sheen [A]	+\$0

Premium Veneer - Low Sheen

For walnut (W)

G2U	light brown walnut, low sheen [A]	+\$0
G40	dark brown walnut, low sheen [A]	+\$0
962	toasted walnut, low sheen [A]	+\$0
963	charred walnut, low sheen [A]	+\$0
964	bronzed walnut, low sheen [A]	+\$0
965	smoked walnut, low sheen [A]	+\$0
966	coffee walnut, low sheen [A]	+\$0
972	sundance walnut [A]	+\$0
98R	recograin rosewood [A]	+\$0
99R	recograin rosewood [A]	+\$0
EK	medium red walnut [A]	+\$0

Premium Veneer - Matte

For walnut (W)

667	smoked paldao, quarter cut, matte sheen [A]	+\$0
669	warm paldao, quarter cut, matte sheen [A]	+\$0
662	toasted walnut, matte sheen [A]	+\$0
663	charred walnut, matte sheen [A]	+\$0
664	bronzed walnut, matte sheen [A]	+\$0
665	smoked walnut, matte sheen [A]	+\$0
666	coffee walnut, matte sheen [A]	+\$0
68R	recograin rosewood [A]	+\$0
69R	recograin rosewood [A]	+\$0
GOU	natural walnut, flat cut, matte sheen [A]	+\$0

Crosshatch Stool *continued*

HermanMiller Collection-Stools

RecoGrain Veneer
For walnut (W)

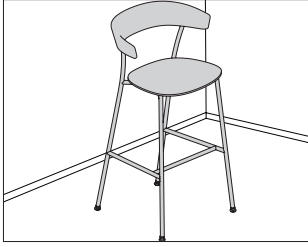
66G	recoGrain wenge	<input type="checkbox"/> A	+\$0
69G	recoGrain wenge	<input type="checkbox"/> A	+\$0

Recon Veneer -
For walnut (W)

96G	wenge recoGrain, quarter cut, low sheen	<input type="checkbox"/> A	+\$0
99G	recoGrain wenge, quarter cut, low sheen	<input type="checkbox"/> A	+\$0

Leeway™ Stool

SVSPB
SVSPC
SVSUA
SVSUW
SVSWA
SVSWW



Product Information

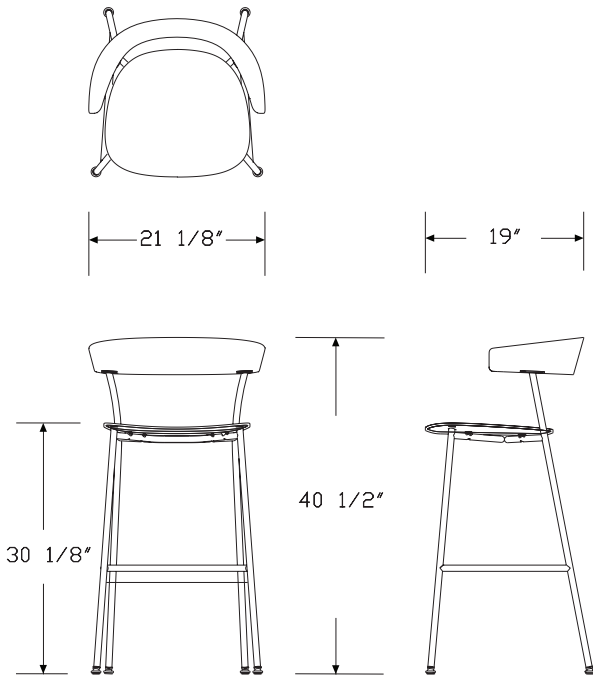
Description

This stool has a solid wood seat and back with a metal frame or a polyurethane seat and back with a metal frame. All options available with or without an upholstered seat.

Notes

Customer's Own Material (COM) requires 1/2 yard. Customer's Own Leather (COL) requires 9 square feet. See Order Information in appendices.

Dimensions



Specification Information

Step 1.

SVS A

Step 2. Seat/Back

U upholstered seat, wood back A

W wood seat and back A

P polyurethane seat and back A

Step 3. Wood Species

A ash A

W walnut A

Step 4. Stool Height

B bar height A

C counter height A

Prices for Steps 1-4.

SVSUA	B	\$1295
	C	\$1285

SVSUW	B	\$1595
	C	\$1585

SVSWA	B	\$1195
	C	\$1185

SVSWW	B	\$1495
	C	\$1485

Step 5. Frame Finish

BK black A +\$0

SAC satin chrome A +\$0

Step 6. Seat/Back Finish

For upholstered seat, wood back (U) or wood seat and back (W) with ash (A)

940	sundance cherry on maple, low sheen <input type="checkbox"/>	+\$0
943	caramel cherry, low sheen <input type="checkbox"/>	+\$0
946	cocoa cherry, low sheen <input type="checkbox"/>	+\$0
956	cocoa sapele, low sheen <input type="checkbox"/>	+\$0
966	coffee walnut, low sheen <input type="checkbox"/>	+\$0
967	smoked paldao, low sheen <input type="checkbox"/>	+\$0
969	warm paldao, low sheen <input type="checkbox"/>	+\$0
96A	recograin frosty ash, low sheen <input type="checkbox"/>	+\$0
96G	recograin wenge, low sheen <input type="checkbox"/>	+\$0
96W	recograin walnut, low sheen <input type="checkbox"/>	+\$0
977	chocolate ash, low sheen <input type="checkbox"/>	+\$0
98R	recograin rosewood, low sheen <input type="checkbox"/>	+\$0
98W	recograin walnut, low sheen <input type="checkbox"/>	+\$0
991	champagne ash, low sheen <input type="checkbox"/>	+\$0
998	ebony ash, low sheen <input type="checkbox"/>	+\$0
99G	recograin wenge, low sheen <input type="checkbox"/>	+\$0
99R	recograin rosewood, low sheen <input type="checkbox"/>	+\$0
99T	recograin teak, low sheen <input type="checkbox"/>	+\$0
99W	recograin walnut, low sheen <input type="checkbox"/>	+\$0
9A1	white ash, low sheen <input type="checkbox"/>	+\$0
9K1	rift oak, low sheen <input type="checkbox"/>	+\$0
9K6	burnt oak, low sheen <input type="checkbox"/>	+\$0
ED	aged cherry, low sheen <input type="checkbox"/>	+\$0
EK	medium red walnut, low sheen <input type="checkbox"/>	+\$0
G2U	light brown walnut, low sheen <input type="checkbox"/>	+\$0
G40	dark brown walnut, low sheen <input type="checkbox"/>	+\$0
UX	walnut on cherry, low sheen <input type="checkbox"/>	+\$0

For upholstered seat, wood back (U) or wood seat and back (W) with ash (A)

662	toasted walnut, matte sheen <input type="checkbox"/>	+\$0
663	charred walnut, matte sheen <input type="checkbox"/>	+\$0
664	bronzed walnut, matte sheen <input type="checkbox"/>	+\$0
665	smoked walnut, matte sheen <input type="checkbox"/>	+\$0
666	coffee walnut, matte sheen <input type="checkbox"/>	+\$0
667	smoked paldao, matte sheen <input type="checkbox"/>	+\$0
669	warm paldao, matte sheen <input type="checkbox"/>	+\$0
66A	recograin frosty ash, matte sheen <input type="checkbox"/>	+\$0
66G	recograin wenge, matte sheen <input type="checkbox"/>	+\$0
66W	recograin walnut, matte sheen <input type="checkbox"/>	+\$0
677	chocolate ash, matte sheen <input type="checkbox"/>	+\$0
69A	recograin frosty ash, matte sheen <input type="checkbox"/>	+\$0
69G	recograin wenge, matte sheen <input type="checkbox"/>	+\$0
69R	recograin rosewood, matte sheen <input type="checkbox"/>	+\$0
69T	recograin teak, matte sheen <input type="checkbox"/>	+\$0
69W	recograin walnut, matte sheen <input type="checkbox"/>	+\$0
6A1	white ash, matte sheen <input type="checkbox"/>	+\$0
6ET	clear on ash, matte sheen <input type="checkbox"/>	+\$0
6EU	clear on oak, matte sheen <input type="checkbox"/>	+\$0
6EV	walnut on ash, matte sheen <input type="checkbox"/>	+\$0
6K1	rift oak, matte sheen <input type="checkbox"/>	+\$0
6K6	burnt oak, matte sheen <input type="checkbox"/>	+\$0
ET	clear on ash, matte sheen <input type="checkbox"/>	+\$0
EU	oak on ash, matte sheen <input type="checkbox"/>	+\$0
EV	walnut on ash, matte sheen <input type="checkbox"/>	+\$0
GOU	walnut, matte sheen <input type="checkbox"/>	+\$0

For upholstered seat, wood back (U) or wood seat and back (W) with walnut (W)

962	toasted walnut, low sheen <input type="checkbox"/>	+\$0
963	charred walnut, low sheen <input type="checkbox"/>	+\$0
964	bronzed walnut, low sheen <input type="checkbox"/>	+\$0
965	smoked walnut, low sheen <input type="checkbox"/>	+\$0
966	coffee walnut, low sheen <input type="checkbox"/>	+\$0
967	smoked paldao, low sheen <input type="checkbox"/>	+\$0
969	warm paldao, low sheen <input type="checkbox"/>	+\$0
96G	recograin wenge, low sheen <input type="checkbox"/>	+\$0
972	sundance walnut, low sheen <input type="checkbox"/>	+\$0
98R	recograin rosewood, low sheen <input type="checkbox"/>	+\$0
99G	recograin wenge, low sheen <input type="checkbox"/>	+\$0
99R	recograin rosewood, low sheen <input type="checkbox"/>	+\$0
EK	medium red walnut, low sheen <input type="checkbox"/>	+\$0
G2U	light brown walnut, low sheen <input type="checkbox"/>	+\$0
G40	dark brown walnut, low sheen <input type="checkbox"/>	+\$0

For upholstered seat, wood back (U) or wood seat and back (W) with walnut (W)

662	toasted walnut, matte sheen <input type="checkbox"/>	+\$0
663	charred walnut, matte sheen <input type="checkbox"/>	+\$0
664	bronzed walnut, matte sheen <input type="checkbox"/>	+\$0
665	smoked walnut, matte sheen <input type="checkbox"/>	+\$0
666	coffee walnut, matte sheen <input type="checkbox"/>	+\$0
667	smoked paldao, matte sheen <input type="checkbox"/>	+\$0
669	warm paldao, matte sheen <input type="checkbox"/>	+\$0
66G	recograin wenge, matte sheen <input type="checkbox"/>	+\$0
68R	recograin rosewood, matte sheen <input type="checkbox"/>	+\$0
69G	recograin wenge, matte sheen <input type="checkbox"/>	+\$0
69R	recograin rosewood, matte sheen <input type="checkbox"/>	+\$0
6EV	walnut on ash, matte sheen <input type="checkbox"/>	+\$0
EV	walnut on ash, matte sheen <input type="checkbox"/>	+\$0
GOU	walnut, matte sheen <input type="checkbox"/>	+\$0

For polyurethane seat and back (P)

BK	black <input type="checkbox"/>	+\$0
-----------	--------------------------------	------

Step 7. Fabric

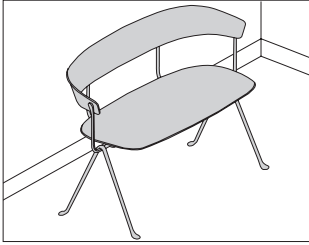
For upholstered seat, wood back (U)

Price Category (Geiger) COL <input type="checkbox"/>	+\$36
Price Category (Geiger) COM <input type="checkbox"/>	+\$0
Price Category 1	+\$0
Price Category 2	+\$24
Price Category 3	+\$30
Price Category (Geiger) 3	+\$30
Price Category (Geiger) 4	+\$36
Price Category 5	+\$53
Price Category (Geiger) 5	+\$53
Price Category (Geiger) 6	+\$69
Price Category (Geiger) 7	+\$86
Price Category (Geiger) 7	+\$86
Price Category (Geiger) 8	+\$131
Price Category 9	+\$163
Price Category (Geiger) 10	+\$187
Price Category 11	+\$210
Price Category (Geiger) 11	+\$210
Price Category (Geiger) 14	+\$275
Price Category C	+\$27
Price Category (Geiger) C	+\$43
Price Category (Geiger) D	+\$35
Price Category (Geiger) E	+\$43
Price Category (Geiger) G	+\$70
Price Category (Geiger) H	+\$87
Price Category (Geiger) J	+\$123
Price Category (Geiger) K	+\$141
Price Category (Geiger) L	+\$159
Price Category (Geiger) M	+\$177

Step 8. Fire Retardancy

For upholstered seat, wood back (U)

NOCAL no cal-133 required <input type="checkbox"/>	+\$0
133 fire retardant <input type="checkbox"/>	+\$33

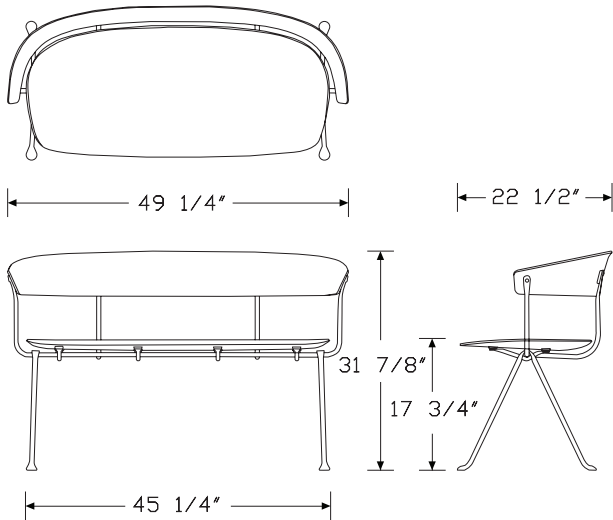


Product Information

Description

This bench has a wrought iron frame available in galvanized or painted black finish. Seat and back are available in plywood or fabric upholstery. Ships assembled.

Dimensions



HermanMiller Collection—Benches

Specification Information

Step 1.

SD222X A

Step 2. Seat & Back

W plywood A

F fabric upholstery A

Prices for Steps 1-2.

SD222X W	\$1995
F	\$2895

Step 3. Frame Finish

GLV galvanized A +\$0

YCB black A +\$0

Step 4. Seat & Back Finish

For plywood (W)

YNC natural beech A +\$0

YNM black beech A +\$0

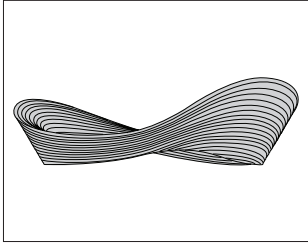
For fabric upholstery (F)

Price Category G +\$0

Price Category H +\$0

Folly

MGC00.



Product Information

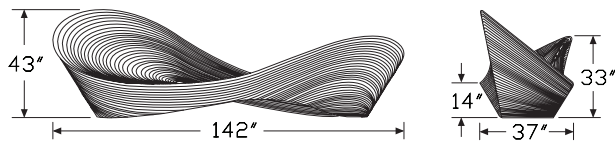
Description

This bench by designer Ron Arad is formed in polyethylene. Suitable for outdoor use.

Notes

Order floor kit (MGC90.) separately.

Dimensions



Specification Information

Step 1.

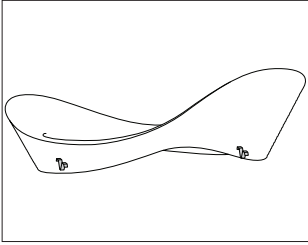
MGC00. [A] \$6854

Step 2. Finish

RSB rust brown [A] +\$0

Folly Floor Kit

MGC90.

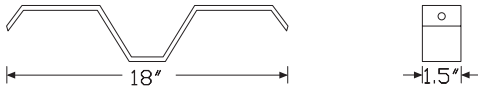


Product Information

Description
This kit attaches a Folly bench to the floor. Includes 2 galvanized steel plates. Floor anchors not included.

Notes
Customer to supply appropriate anchor system for floor type.

Dimensions

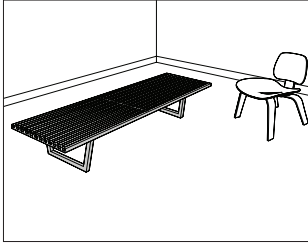


Specification Information

Step 1.
MGC90. A \$257

Nelson™ Platform Bench

PB.

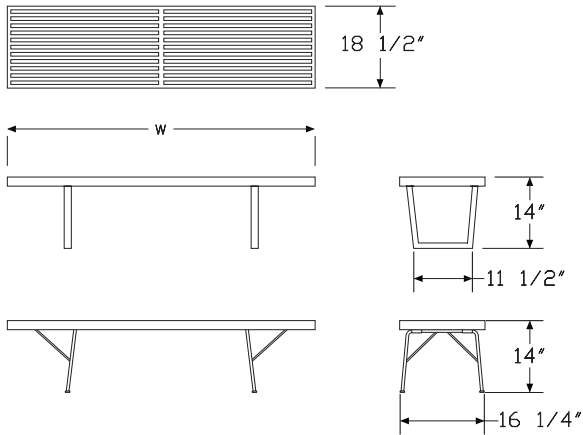


Product Information

Description

This bench has a slatted, clear-coat solid maple or walnut top and an ebonized wood or chrome metal base with metal leveling glides.

Dimensions



Specification Information

Step 1.

PB. A

Step 2. Width

48 48" wide A

60 60" wide A

72 72" wide A

Step 3. Base

M trivalent chrome metal base A

W ebonized wood base A

Prices for Steps 1-3.

		M	W
PB.	48	\$1108	1003
	60	\$1204	1104
	72	\$1304	1208

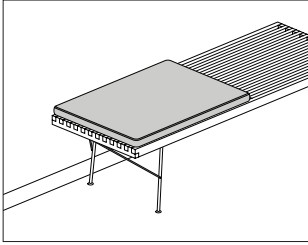
Step 4. Slat Finish

		48	60	72
UL	natural maple <input type="checkbox"/> A	+\$195	235	235
OU	walnut <input type="checkbox"/> A	+\$926	1119	1309

Herman Miller Collection - Benches

Nelson™ Platform Bench Cushion

PBC.



Product Information

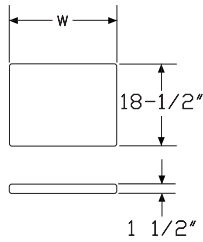
Description

This upholstered cushion fits on a Nelson™ platform bench.

Notes

Customers Own Material (COM) requires 1 yard for 24"-wide cushion and 1½ yards for 36"-wide cushion. Customers Own Leather (COL) requires 15 square feet for 24"-wide cushion and 20 square feet for 36"-wide cushion. See Order Information in appendices.

Dimensions



Specification Information

Step 1.

PBC. A

Step 2. Width

24 24" wide A

36 36" wide A

Step 3. Material

F fabric A

Prices for Steps 1-3.

	F
PBC. 24	\$400
36	\$600

Step 4. Finish

See application chart and textiles list for fabric usage and numbers. First 2 digits of number indicate fabric line; remaining digit(s) indicate fabric color.

	24F	36F
Price Category 1	+\$0	0
Price Category 2	+\$0	0
Price Category 3	+\$16	24
Price Category (Geiger) 3	+\$59	89
Price Category 4	+\$0	0
Price Category (Geiger) 4	+\$32	47
Price Category 5	+\$55	67
Price Category (Geiger) 5	+\$55	67
Price Category 6	+\$60	75
Price Category (Geiger) 6	+\$60	75
Price Category 7	+\$70	85
Price Category (Geiger) 7	+\$70	85
Price Category 8	+\$179	232
Price Category 9	+\$300	315
Price Category 10	+\$330	347
Price Category (Geiger) 10	+\$202	347
Price Category (Geiger) 11	+\$360	378
Price Category 14	+\$432	454
Price Category 10M	+\$454	682
Price Category C	+\$46	70
Price Category D	+\$59	88
Price Category E	+\$71	107
Price Category F	+\$138	171
Price Category G	+\$179	232
Price Category H	+\$218	289
Price Category I	+\$256	346

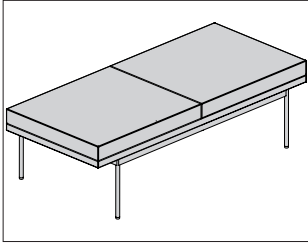
Nelson™ Platform Bench Cushion

continued

Price Category J	+\$294	403
Price Category K	+\$332	459
Price Category L	+\$370	516
Price Category M	+\$519	1038
Price Category N	+\$542	630
Price Category O	+\$485	686
Price Category P	+\$349	743
Price Category Q	+\$375	803
Price Category X	+\$785	1177
Price Category Y	+\$826	1240

Tuxedo Component Lounge™
Bench

ST2BN
ST2BQ



Product Information

Description

This 17"-high bench has a foam and Dacron® seat with a painted or plated steel base.

Notes

Customer's Own Material (COM)/Customer's Own Leather (COL) requires the following:

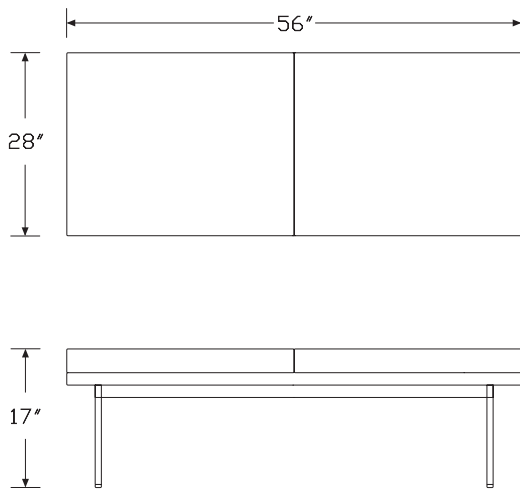
Type—COM—COL

Not quilted—3 yards—54 square feet

Quilted—3 yards—54 square feet

See Order Information in Appendices for more information.

Dimensions



Specification Information

Step 1.

ST2B A

Step 2. Upholstery Type

N not quilted A

Q quilted A

Prices for Steps 1-2.

ST2BN	\$2035
ST2BQ	\$2100

Step 3. Upholstery

For quilted (Q)

Price Category (Geiger) 1	+\$117
Price Category 1	+\$0
Price Category (Geiger) 2	+\$141
Price Category 2	+\$141
Price Category (Geiger) 3	+\$177
Price Category 3	+\$177
Price Category (Geiger) 4	+\$216
Price Category 4	+\$216
Price Category (Geiger) 5	+\$315
Price Category 5	+\$315
Price Category (Geiger) 6	+\$414
Price Category (Geiger) 7	+\$513
Price Category (Geiger) 8	+\$786
Price Category (Geiger) 9	+\$975
Price Category 9	+\$975
Price Category (Geiger) 10	+\$1122
Price Category (Geiger) 11	+\$1257
Price Category (Geiger) 14	+\$1647
Price Category (Geiger) A	+\$99
Price Category (Geiger) C	+\$159
Price Category (Geiger) D	+\$210
Price Category (Geiger) E	+\$255
Price Category (Geiger) F	+\$306
Price Category (Geiger) G	+\$417
Price Category (Geiger) H	+\$519
Price Category (Geiger) I	+\$627
Price Category (Geiger) J	+\$735
Price Category (Geiger) K	+\$843
Price Category (Geiger) L	+\$951
Price Category (Geiger) M	+\$1059
Price Category (Geiger) N	+\$1165
Price Category (Geiger) O	+\$1275

Tuxedo Component Lounge™ Bench *continued*

Price Category (Geiger) P	+\$1380
Price Category (Geiger) Q	+\$1593
Price Category (Geiger) R	+\$2220
Price Category (Geiger) S	+\$2385
Price Category (Geiger) V	+\$2880
Price Category (Geiger) COM <input type="checkbox"/>	+\$0
Price Category (Geiger) COL <input type="checkbox"/>	+\$216

For not quilted (N)

Price Category (Geiger) 1	+\$117
Price Category 1	+\$0
Price Category (Geiger) 2	+\$141
Price Category 2	+\$141
Price Category (Geiger) 3	+\$177
Price Category 3	+\$177
Price Category (Geiger) 4	+\$216
Price Category 4	+\$216
Price Category (Geiger) 5	+\$315
Price Category 5	+\$315
Price Category (Geiger) 6	+\$414
Price Category (Geiger) 7	+\$513
Price Category (Geiger) 8	+\$786
Price Category (Geiger) 9	+\$975
Price Category 9	+\$975
Price Category (Geiger) 10	+\$1122
Price Category (Geiger) 11	+\$1257
Price Category (Geiger) 14	+\$1647
Price Category (Geiger) A	+\$99
Price Category (Geiger) C	+\$159
Price Category (Geiger) D	+\$210
Price Category (Geiger) E	+\$255
Price Category (Geiger) F	+\$306
Price Category (Geiger) G	+\$417
Price Category (Geiger) H	+\$519
Price Category (Geiger) I	+\$627
Price Category (Geiger) J	+\$735
Price Category (Geiger) K	+\$843
Price Category (Geiger) L	+\$951
Price Category (Geiger) M	+\$1059
Price Category (Geiger) N	+\$1165
Price Category (Geiger) O	+\$1275
Price Category (Geiger) P	+\$1380
Price Category (Geiger) Q	+\$1593
Price Category (Geiger) R	+\$2220
Price Category (Geiger) S	+\$2385
Price Category (Geiger) V	+\$2880
Price Category (Geiger) X	+\$3210

Price Category (Geiger) Y	+\$3375
Price Category (Geiger) COM <input type="checkbox"/>	+\$0
Price Category (Geiger) COL <input type="checkbox"/>	+\$216

Step 4. Base Finish

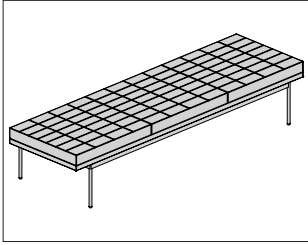
926 black <input type="checkbox"/>	+\$0
AS arctic silver <input type="checkbox"/>	+\$0
WHT white <input type="checkbox"/>	+\$0
BNZ bronze <input type="checkbox"/>	+\$645
CHR chrome <input type="checkbox"/>	+\$645
SAC satin chrome <input type="checkbox"/>	+\$645

Step 5. Fire Retardancy

NOCAL not fire retardant <input type="checkbox"/>	+\$0
133 fire retardant <input type="checkbox"/>	+\$195

Tuxedo Component Lounge™
Museum Bench

ST3BN
ST3BQ



Product Information

Description

This 17"-high museum bench has a foam and Dacron® seat with a painted or plated steel base.

Notes

Customer's Own Material (COM)/Customer's Own Leather (COL) requires the following:

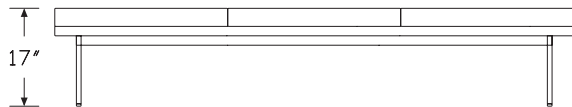
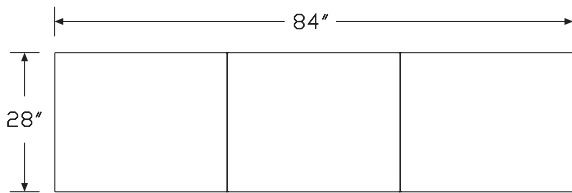
Type—COM—COL

Not quilted—5½ yards—99 square feet

Quilted—5½ yards—99 square feet

See Order Information in Appendices for more information.

Dimensions



Specification Information

Step 1.

ST3B A

Step 2. Upholstery Type

N not quilted A

Q quilted A

Prices for Steps 1-2.

ST3BN	\$2790
ST3BQ	\$2855

Step 3. Upholstery

For quilted (Q)

Price Category (Geiger) 1	+\$215
Price Category 1	+\$0
Price Category (Geiger) 2	+\$259
Price Category 2	+\$259
Price Category (Geiger) 3	+\$325
Price Category 3	+\$325
Price Category (Geiger) 4	+\$396
Price Category 4	+\$396
Price Category (Geiger) 5	+\$578
Price Category 5	+\$578
Price Category (Geiger) 6	+\$759
Price Category (Geiger) 7	+\$941
Price Category (Geiger) 8	+\$1441
Price Category (Geiger) 9	+\$1788
Price Category 9	+\$1788
Price Category (Geiger) 10	+\$2057
Price Category (Geiger) 11	+\$2305
Price Category (Geiger) 14	+\$3020
Price Category (Geiger) A	+\$182
Price Category (Geiger) C	+\$292
Price Category (Geiger) D	+\$385
Price Category (Geiger) E	+\$468
Price Category (Geiger) F	+\$561
Price Category (Geiger) G	+\$765
Price Category (Geiger) H	+\$952
Price Category (Geiger) I	+\$1150
Price Category (Geiger) J	+\$1348
Price Category (Geiger) K	+\$1546
Price Category (Geiger) L	+\$1744
Price Category (Geiger) M	+\$1942
Price Category (Geiger) N	+\$2140
Price Category (Geiger) O	+\$2338

Tuxedo Component Lounge™ Museum Bench *continued*

Price Category (Geiger) P	+\$2530
Price Category (Geiger) Q	+\$2921
Price Category (Geiger) R	+\$4070
Price Category (Geiger) S	+\$4373
Price Category (Geiger) V	+\$5280
Price Category (Geiger) COM <input type="checkbox"/>	+\$0
Price Category (Geiger) COL <input type="checkbox"/>	+\$396

For not quilted (N)

Price Category (Geiger) 1	+\$215
Price Category 1	+\$0
Price Category (Geiger) 2	+\$259
Price Category 2	+\$259
Price Category (Geiger) 3	+\$325
Price Category 3	+\$325
Price Category (Geiger) 4	+\$396
Price Category 4	+\$396
Price Category (Geiger) 5	+\$578
Price Category 5	+\$578
Price Category (Geiger) 6	+\$759
Price Category (Geiger) 7	+\$941
Price Category (Geiger) 8	+\$1441
Price Category (Geiger) 9	+\$1788
Price Category 9	+\$1788
Price Category (Geiger) 10	+\$2057
Price Category (Geiger) 11	+\$2305
Price Category (Geiger) 14	+\$3020
Price Category (Geiger) A	+\$182
Price Category (Geiger) C	+\$292
Price Category (Geiger) D	+\$385
Price Category (Geiger) E	+\$468
Price Category (Geiger) F	+\$561
Price Category (Geiger) G	+\$765
Price Category (Geiger) H	+\$952
Price Category (Geiger) I	+\$1150
Price Category (Geiger) J	+\$1348
Price Category (Geiger) K	+\$1546
Price Category (Geiger) L	+\$1744
Price Category (Geiger) M	+\$1942
Price Category (Geiger) N	+\$2140
Price Category (Geiger) O	+\$2338
Price Category (Geiger) P	+\$2530
Price Category (Geiger) Q	+\$2921
Price Category (Geiger) R	+\$4070
Price Category (Geiger) S	+\$4373
Price Category (Geiger) V	+\$5280
Price Category (Geiger) X	+\$5885

Price Category (Geiger) Y	+\$6188
Price Category (Geiger) COM <input type="checkbox"/>	+\$0
Price Category (Geiger) COL <input type="checkbox"/>	+\$396

Step 4. Base Finish

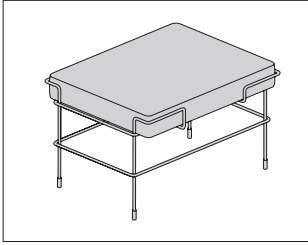
926 black <input type="checkbox"/>	+\$0
AS arctic silver <input type="checkbox"/>	+\$0
WHT white <input type="checkbox"/>	+\$0
BNZ bronze <input type="checkbox"/>	+\$645
CHR chrome <input type="checkbox"/>	+\$645
SAC satin chrome <input type="checkbox"/>	+\$645

Step 5. Fire Retardancy

NOCAL not fire retardant <input type="checkbox"/>	+\$0
133 fire retardant <input type="checkbox"/>	+\$293

Traffic One-Seater Bench Upholstered

XXSD2

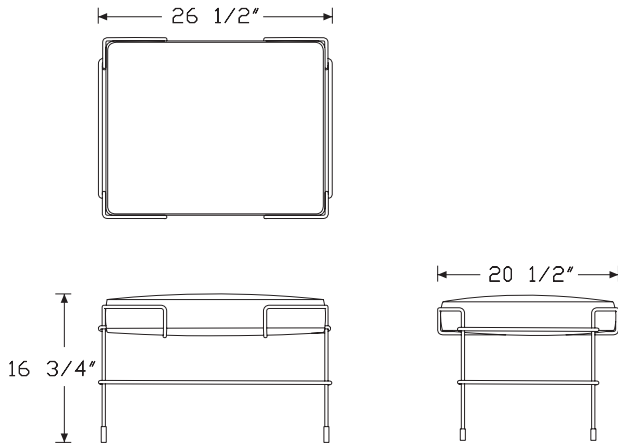


Product Information

Description

This bench has a painted steel rod frame and upholstered cushions with removable covers.

Dimensions



HermanMiller Collection—Benches

Specification Information

Step 1.

XXSD2730 A \$1336

Step 2. Frame Finish

5011	white	A	+ \$0
5013	black	A	+ \$0
5016	sepia brown	A	+ \$0
5017	green blue	A	+ \$0
5019	signal red	A	+ \$0
5021	dark green	A	+ \$0

Step 3. Seat Fabric

For white (5011)

F-088	orange	A	+ \$0
F-222	light blue	A	+ \$0
F-266	beige	A	+ \$0
F-354	green	A	+ \$0
F-578	yellow	A	+ \$0
F-741	light grey	A	+ \$0

For black (5013)

F-521	dark brown	A	+ \$0
--------------	------------	---	-------

For sepia brown (5016)

F-578	yellow	A	+ \$0
--------------	--------	---	-------

For green blue (5017)

F-222	light blue	A	+ \$0
--------------	------------	---	-------

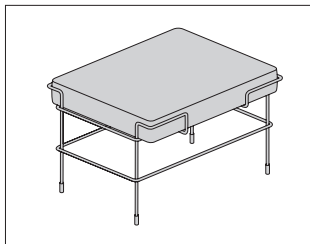
For signal red (5019)

F-088	orange	A	+ \$0
--------------	--------	---	-------

For dark green (5021)

F-354	green	A	+ \$0
--------------	-------	---	-------

Traffic One-Seater Bench XXSD2
 Upholstered (Suitable for Outdoor Use)

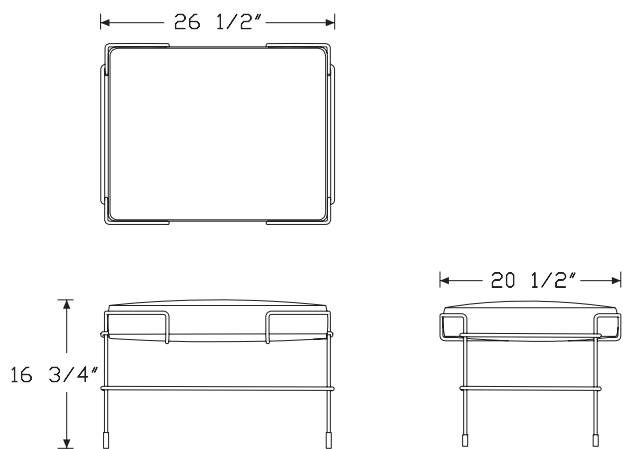


Product Information

Description

This bench has a painted steel rod frame and upholstered cushions with removable covers. Suitable for outdoor use.

Dimensions



Specification Information

Step 1.

XXSD2731 A \$1554

Step 2. Frame Finish

5011 white A + \$0

Step 3. Seat Fabric

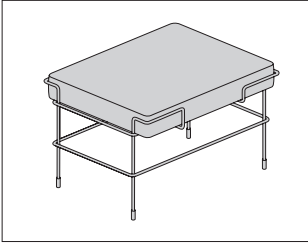
F-227 turquoise A + \$0

F-257 blue A + \$0

F-737 white A + \$0

F-769 black A + \$0

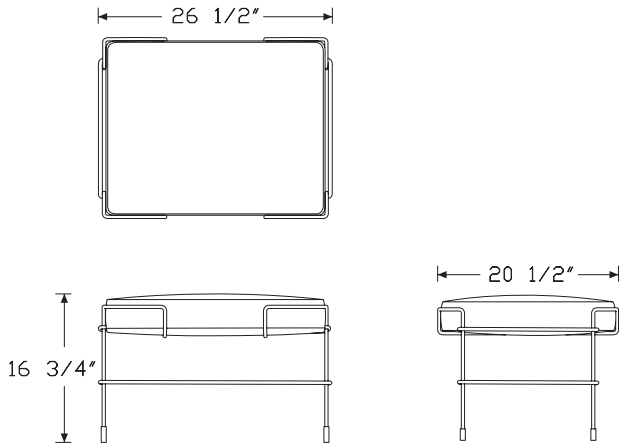
Traffic One-Seater Bench Leather XXSD2



Product Information

Description
 This bench has a painted steel rod frame and upholstered cushions with removable covers.

Dimensions



HermanMiller Collection—Benches

Specification Information

Step 1.
XXSD2734 A \$1986

Step 2. Frame Finish

5011	white	<input type="checkbox"/> A	+\$0
5013	black	<input type="checkbox"/> A	+\$0
5016	sepia brown	<input type="checkbox"/> A	+\$0
5021	dark green	<input type="checkbox"/> A	+\$0

Step 3. Seat Fabric

For white (5011)

L-0111	brown l	<input type="checkbox"/> A	+\$0
L-0706	cream white l	<input type="checkbox"/> A	+\$0

For black (5013)

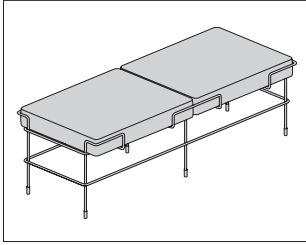
L-0060	anthracite grey l	<input type="checkbox"/> A	+\$0
---------------	-------------------	----------------------------	------

For dark green (5021)

L-0111	brown l	<input type="checkbox"/> A	+\$0
L-0752	dark brown l	<input type="checkbox"/> A	+\$0

Traffic Two-Seater Bench Upholstered

XXSD2

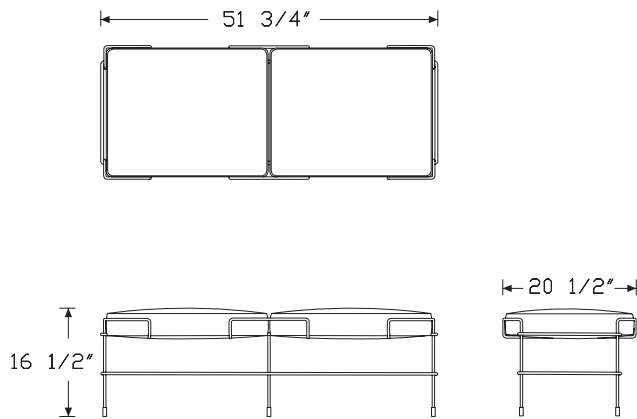


Product Information

Description

This bench has a painted steel rod frame and upholstered cushions with removable covers.

Dimensions



Specification Information

Step 1.

XXSD2740 A \$2340

Step 2. Frame Finish

5011	white	<input type="checkbox"/> A	+\$0
5013	black	<input type="checkbox"/> A	+\$0
5016	sepia brown	<input type="checkbox"/> A	+\$0
5017	green blue	<input type="checkbox"/> A	+\$0
5019	signal red	<input type="checkbox"/> A	+\$0
5021	dark green	<input type="checkbox"/> A	+\$0

Step 3. Seat Fabric

For white (5011)

F-088	orange	<input type="checkbox"/> A	+\$0
F-222	light blue	<input type="checkbox"/> A	+\$0
F-266	beige	<input type="checkbox"/> A	+\$0
F-354	green	<input type="checkbox"/> A	+\$0
F-578	yellow	<input type="checkbox"/> A	+\$0
F-741	light grey	<input type="checkbox"/> A	+\$0

For black (5013)

F-521	dark brown	<input type="checkbox"/> A	+\$0
--------------	------------	----------------------------	------

For sepia brown (5016)

F-578	yellow	<input type="checkbox"/> A	+\$0
--------------	--------	----------------------------	------

For green blue (5017)

F-222	light blue	<input type="checkbox"/> A	+\$0
--------------	------------	----------------------------	------

For signal red (5019)

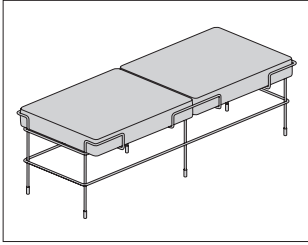
F-088	orange	<input type="checkbox"/> A	+\$0
--------------	--------	----------------------------	------

For dark green (5021)

F-354	green	<input type="checkbox"/> A	+\$0
--------------	-------	----------------------------	------

Traffic Two-Seater Bench
 Upholstered (Suitable for Outdoor
 Use)

XXSD2

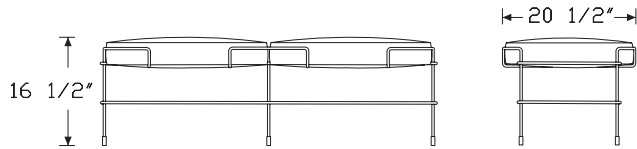
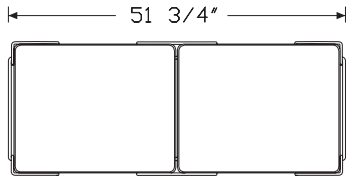


Product Information

Description

This bench has a painted steel rod frame and upholstered cushions with removable covers. Suitable for outdoor use.

Dimensions



Specification Information

Step 1.

XXSD2741 A \$2670

Step 2. Frame Finish

5011 white A +\$0

Step 3. Seat Fabric

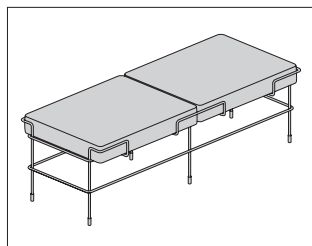
F-227 turquoise A +\$0

F-257 blue A +\$0

F-737 white A +\$0

F-769 black A +\$0

Traffic Two-Seater Bench Leather XXSD2

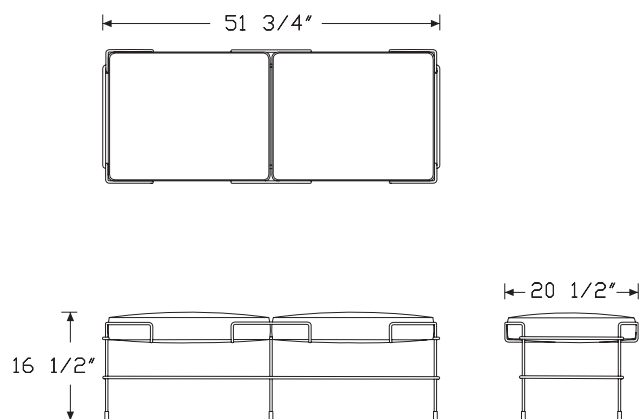


Product Information

Description

This bench has a painted steel rod frame and upholstered cushions with removable covers.

Dimensions



Specification Information

Step 1.

XXSD2744 A \$3645

Step 2. Frame Finish

5011 white A +\$0
5013 black A +\$0
5016 sepia brown A +\$0
5021 dark green A +\$0

Step 3. Seat Fabric

For white (5011)

L-0111 brown l A +\$0
L-0706 cream white l A +\$0

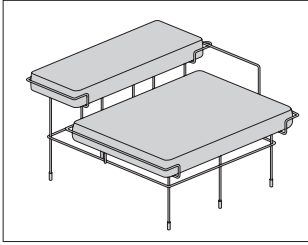
For black (5013)

L-0060 anthracite grey l A +\$0

For dark green (5021)

L-0111 brown l A +\$0
L-0752 dark brown l A +\$0

HermanMiller Collection—Benches

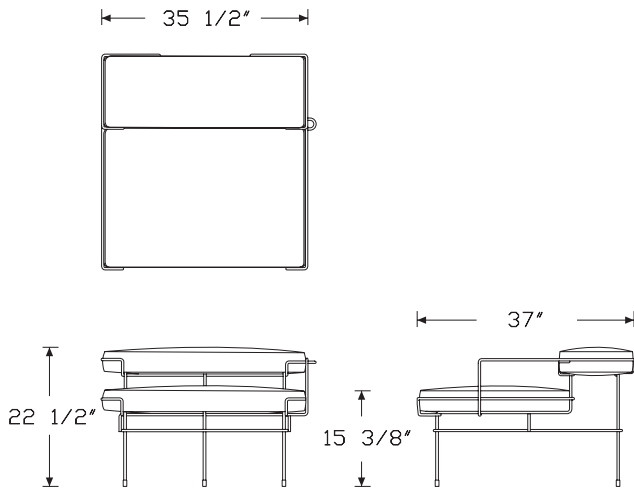


Product Information

Description

This platform bench has a painted steel rod frame and upholstered cushions with removable covers.

Dimensions



HermanMiller Collection—Benches

Specification Information

Step 1.

XXSD2750 A \$2558

Step 2. Frame Finish

5011	white	A	+\$0
5013	black	A	+\$0
5016	sepia brown	A	+\$0
5017	green blue	A	+\$0
5019	signal red	A	+\$0
5021	dark green	A	+\$0

Step 3. Seat Fabric

For white (5011)

F-088	orange	A	+\$0
F-222	light blue	A	+\$0
F-266	beige	A	+\$0
F-354	green	A	+\$0
F-578	yellow	A	+\$0
F-741	light grey	A	+\$0

For black (5013)

F-521	dark brown	A	+\$0
--------------	------------	---	------

For sepia brown (5016)

F-578	yellow	A	+\$0
--------------	--------	---	------

For green blue (5017)

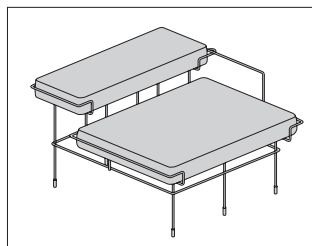
F-222	light blue	A	+\$0
--------------	------------	---	------

For signal red (5019)

F-088	orange	A	+\$0
--------------	--------	---	------

For dark green (5021)

F-354	green	A	+\$0
--------------	-------	---	------

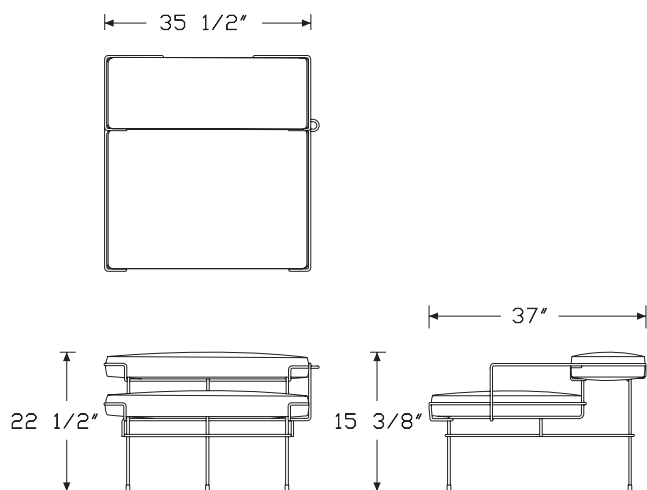


Product Information

Description

This platform bench has a painted steel rod frame and upholstered cushions with removable covers.

Dimensions



Specification Information

Step 1.

XXSD2754 **A** \$4082

Step 2. Frame Finish

5011 white **A** +\$0
5013 black **A** +\$0
5016 sepia brown **A** +\$0
5021 dark green **A** +\$0

Step 3. Seat Fabric

For white (5011)

L-0111 brown l **A** +\$0
L-0706 cream white l **A** +\$0

For black (5013)

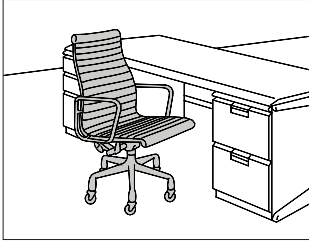
L-0060 anthracite grey l **A** +\$0

For dark green (5021)

L-0111 brown l **A** +\$0
L-0752 dark brown l **A** +\$0

Eames® Aluminum Group
Executive Chair

EA337



Product Information

Description

This high-back chair with arms has a lightweight aluminum frame with suspended upholstery. It has a 5-star base with casters, tilt-swivel mechanism, and manual seat-height adjustment or pneumatic seat-height adjustment and tilt lock feature.

Notes

Chair is tested and warranted for use by persons 300 pounds and under. When chair is specified with Cygnus™ mesh, it meets CAL 133 requirements.

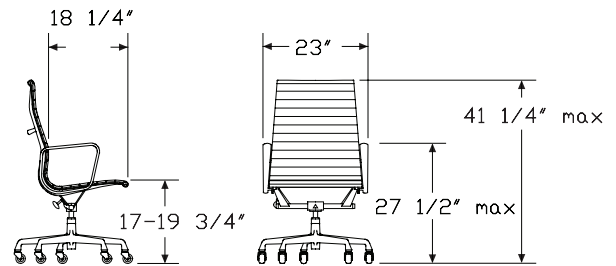
Chair sizes shown in illustrations are nominal.

For description of casters, see Casters and Glides in Appendices.

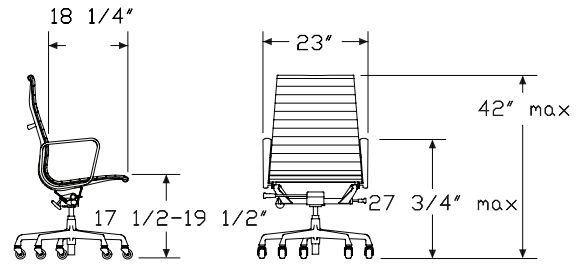
Customer's Own Material (COM) requires 1½ yards. Customer's Own Leather (COL) requires 45 square feet. See Order Information in Appendices.

HermanMiller Collection—Work Chairs

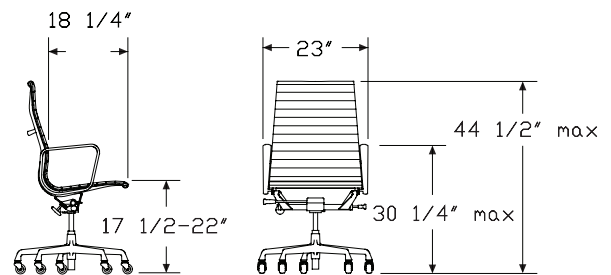
Dimensions



Manual



Pneumatic, standard-height range



Pneumatic, extended-height range

Eames® Aluminum Group
Executive Chair *continued*

Specification Information

Step 1.

EA33 A

Step 2. Seat-Height Adjustment

7	manual seat-height adjustment	A
7P	pneumatic seat-height adjustment, standard-height range with tilt lock	A
7E	pneumatic seat-height adjustment, extended-height range with tilt lock	A

Prices for Steps 1-2.

EA337	\$1900
EA337P	\$2070
EA337E	\$2140

Step 3. Casters

BSC	2" soft double wheel caster, hard floors or carpet, black	A	+\$0
MD	2" soft double wheel caster, hard floors or carpet, chrome	A	+\$0
UD	2" hard double wheel caster, carpet, black painted	A	+\$0
VD	2" hard double wheel caster, carpet, chrome	A	+\$0

Step 4. Base Finish

L	polished aluminum	A	+\$0
BK	black	A	+\$28
G2	graphite satin	A	+\$28
91	white	A	+\$28

Step 5. Frame Finish

For polished aluminum (L)

L	polished aluminum	A	+\$0
----------	-------------------	---	------

For black (BK)

BK	black	A	+\$107
-----------	-------	---	--------

For graphite satin (G2)

G2	graphite satin	A	+\$107
-----------	----------------	---	--------

For white (91)

91	white	A	+\$107
-----------	-------	---	--------

Step 6. Fabric

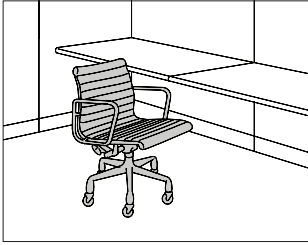
See application chart and textiles list for fabric usage and numbers.

First 2 digits of number indicate fabric line; remaining digit(s) indicate fabric color.

Price Category 1	+\$0
Price Category 2	+\$55
Price Category 3	+\$125
Price Category 4	+\$179
Price Category (Geiger) 4	+\$138
Price Category 5	+\$226
Price Category (Geiger) 5	+\$226
Price Category 6	+\$273
Price Category 7 A	+\$240
Price Category (Geiger) 7	+\$180
Price Category 9	+\$621
Price Category (Geiger) 10	+\$702
Price Category 10M	+\$841
Price Category 11	+\$768
Price Category B	+\$51
Price Category C	+\$70
Price Category D	+\$88
Price Category E	+\$107
Price Category F	+\$138
Price Category G	+\$179
Price Category H	+\$218
Price Category I	+\$256
Price Category J	+\$294
Price Category K	+\$332
Price Category L	+\$370

Eames® Aluminum Group
Management Chair

EA334
EA335



Product Information

Description

This low-back chair has a lightweight aluminum frame with suspended upholstery and comes with or without arms. It has a 5-star base, tilt-swivel mechanism, and manual seat-height adjustment or pneumatic seat-height adjustment and tilt lock feature. The chair is available with casters or glides. The chair with glides includes 1/2" (GD) glides for hard floors or carpet.

Notes

Chair is tested and warranted for use by persons 300 pounds and under. When chair is specified with Cygnus™ mesh, it meets CAL 133 requirements.

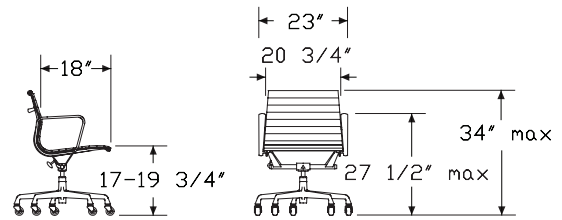
Chair sizes shown in illustrations are nominal.

For description of casters and glides, see Casters and Glides in Appendices.

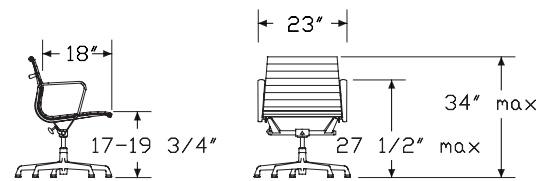
Customer's Own Material (COM) requires 1 1/3 yards. Customer's Own Leather (COL) requires 45 square feet. See Order Information in Appendices.

HermanMiller Collection—Work Chairs

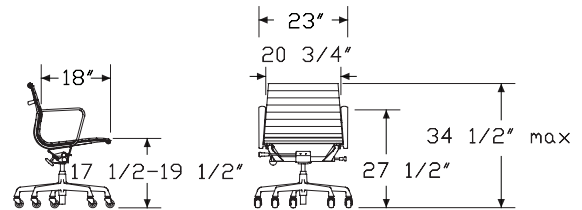
Dimensions



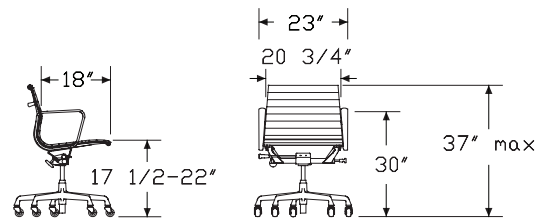
Casters



Glides



Pneumatic, standard-height range



Pneumatic, extended-height range

Eames® Aluminum Group
Management Chair *continued*

Specification Information

Step 1.

EA33 A

Step 2. Casters/Glides/Seat-Height Adjustment

5	casters with manual seat-height adjustment	
4	glides with manual seat-height adjustment	A
5P	casters with pneumatic seat-height adjustment, standard-height range with tilt lock	
5E	casters with pneumatic seat-height adjustment, extended-height range with tilt lock	A
5N	casters with manual seat-height adjustment, no arms	
5PN	casters with pneumatic seat-height adjustment, no arms. standard-height range	
5EN	casters with pneumatic seat-height adjustment, no arms, extended-height range	A

Prices for Steps 1-2.

EA335	\$1740
EA334	\$1740
EA335P	\$1910
EA335E	\$1980
EA335N	\$1300
EA335PN	\$1470
EA335EN	\$1540

Step 3. Casters

For casters with manual seat-height adjustment (5), casters with pneumatic seat-height adjustment, standard-height range with tilt lock (5P), casters with pneumatic seat-height adjustment, extended-height range with tilt lock (5E), casters with manual seat-height adjustment, no arms (5N), casters with pneumatic seat-height adjustment, no arms. standard-height range (5PN), or casters with pneumatic seat-height adjustment, no arms, extended-height range (5EN)

BSC	2" soft double wheel caster, hard floors or carpet, black	+\$0
	A	
MD	2" soft double wheel caster, hard floors or carpet, chrome	+\$0
UD	2" hard double wheel caster, carpet, black painted	+\$0
VD	2" hard double wheel caster, carpet, chrome	+\$0

Step 4. Base Finish

L	polished aluminum	+\$0
BK	black	+\$28
	A	
G2	graphite satin	+\$28
	A	
91	white	+\$28
	A	

Step 5. Frame Finish

For polished aluminum (L)

L	polished aluminum	+\$0
----------	-------------------	------

For black (BK)

BK	black	+\$107
	A	

For graphite satin (G2)

G2	graphite satin	+\$107
	A	

For white (91)

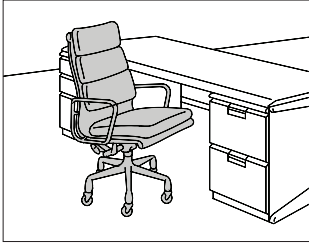
91	white	+\$107
	A	

Step 6. Fabric

See application chart and textiles list for fabric usage and numbers. First 2 digits of number indicate fabric line; remaining digit(s) indicate fabric color.

Price Category 1	+\$0
Price Category 2	+\$48
Price Category 3	+\$90
Price Category 4	+\$138
Price Category (Geiger) 4	+\$138
Price Category 5	+\$170
Price Category (Geiger) 5	+\$170
Price Category 6	+\$205
Price Category 7	+\$180
	A
Price Category (Geiger) 7	+\$180
Price Category 9	+\$591
Price Category (Geiger) 10	+\$668
Price Category 10M	+\$841
Price Category 11	+\$768
Price Category B	+\$39
Price Category C	+\$57
Price Category D	+\$78
Price Category E	+\$94
Price Category F	+\$122
Price Category G	+\$159
Price Category H	+\$193
Price Category I	+\$227
Price Category J	+\$261
Price Category K	+\$294
Price Category L	+\$328

Eames® Soft Pad Group Executive Chair EA437



Product Information

Description

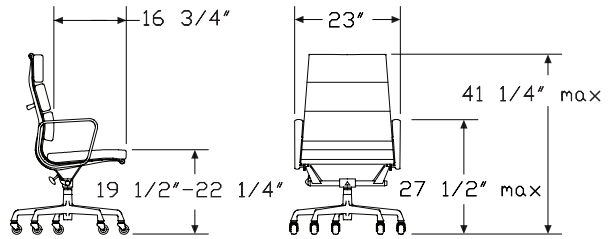
This high-back chair with arms has a lightweight aluminum frame and 2"-thick upholstered foam cushions. It has a 5-star base with casters, tilt-swivel mechanism, and manual seat-height adjustment or pneumatic seat-height adjustment and tilt lock feature.

Notes

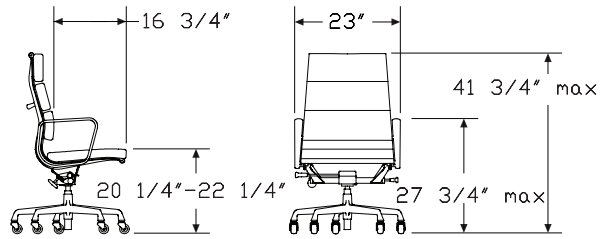
Chair is tested and warranted for use by persons 300 pounds and under. Chair sizes shown in illustrations are nominal.
 For description of casters, see Casters and Glides in Appendices.
 Customer's Own Material (COM) requires 3 yards. Customer's Own Leather (COL) requires 56 square feet. See Order Information in Appendices.

HermanMiller Collection—Work Chairs

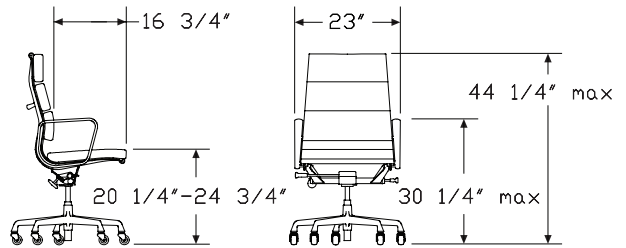
Dimensions



Manual



Pneumatic, standard-height range



Pneumatic, extended-height range

Eames® Soft Pad Group Executive Chair *continued*

Specification Information

Step 1.

EA43 A

Step 2. Seat-Height Adjustment

7	manual seat-height adjustment A	
7P	pneumatic seat-height adjustment, standard-height range with tilt lock A	
7E	pneumatic seat-height adjustment, extended-height range with tilt lock A	

Prices for Steps 1-2.

EA437	\$3280
EA437P	\$3450
EA437E	\$3520

Step 3. Casters

BSC	2" soft double wheel caster, hard floors or carpet, black A	+\$0
MD	2" soft double wheel caster, hard floors or carpet, chrome A	+\$0
UD	2" hard double wheel caster, carpet, black painted A	+\$0
VD	2" hard double wheel caster, carpet, chrome A	+\$0

Step 4. Base Finish

L	polished aluminum A	+\$0
BK	black A	+\$28
G2	graphite satin A	+\$28
91	white A	+\$28

Step 5. Frame Finish

For polished aluminum (L)

L	polished aluminum A	+\$0
----------	---	------

For black (BK)

BK	black A	+\$107
-----------	---	--------

For graphite satin (G2)

G2	graphite satin A	+\$107
-----------	--	--------

For white (91)

91	white A	+\$107
-----------	---	--------

Step 6. Fabric

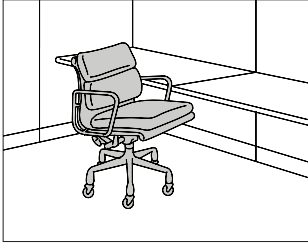
See application chart and textiles list for fabric usage and numbers.

First 2 digits of number indicate fabric line; remaining digit(s) indicate fabric color.

Price Category 1	+\$0
Price Category 2	+\$70
Price Category 3	+\$164
Price Category (Geiger) 3	+\$164
Price Category 4	+\$262
Price Category 5	+\$329
Price Category (Geiger) 5	+\$329
Price Category 6	+\$396
Price Category 7	+\$349
Price Category (Geiger) 7	+\$349
Price Category 9	+\$608
Price Category (Geiger) 10	+\$680
Price Category 10M	+\$1094
Price Category 11	+\$936
Price Category B	+\$99
Price Category C	+\$132
Price Category D	+\$176
Price Category E	+\$213
Price Category F	+\$275
Price Category G	+\$358
Price Category H	+\$435
Price Category I	+\$511
Price Category J	+\$588
Price Category K	+\$664
Price Category L	+\$740
Price Category M	+\$817
Price Category N	+\$893
Price Category P	+\$1046

Eames® Soft Pad Group
Management Chair

EA434
EA435



Product Information

Description

This low-back chair has a lightweight aluminum frame, 2"-thick upholstered foam cushions, and comes with or without arms. It has a 5-star base, tilt-swivel mechanism, and manual seat-height adjustment or pneumatic seat-height adjustment and tilt lock feature. The chair is available with casters or glides. The chair with glides includes 1/2" (GD) glides for hard floors or carpet.

Notes

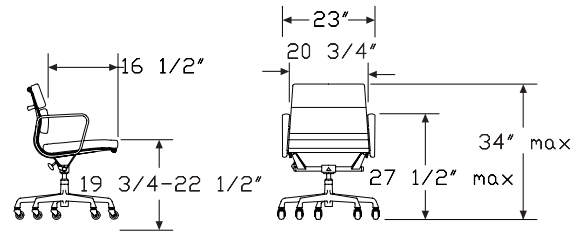
Chair is tested and warranted for use by persons 300 pounds and under. Chair sizes shown in illustrations are nominal.

For description of casters and glides, see Casters and Glides in Appendices.

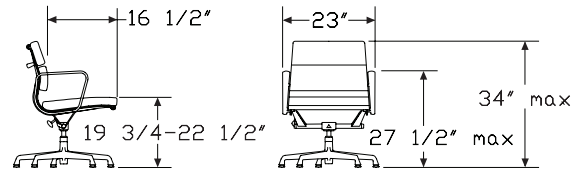
Customer's Own Material (COM) requires 2 1/2 yards. Customer's Own Leather (COL) requires 45 square feet. See Order Information in Appendices.

HermanMiller Collection—Work Chairs

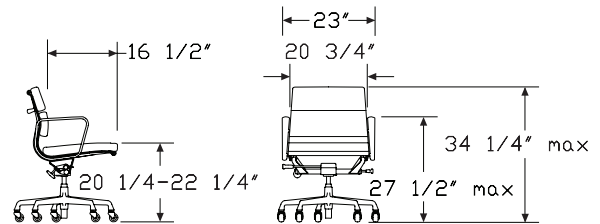
Dimensions



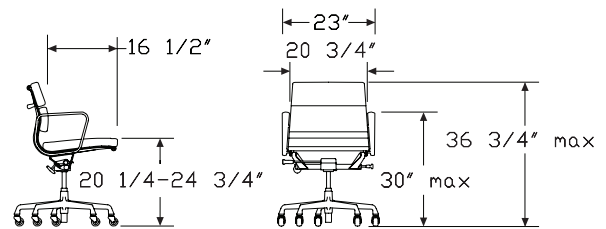
Casters



Glides



Pneumatic, standard-height range



Pneumatic, extended-height range

Eames® Soft Pad Group Management Chair *continued*

Specification Information

Step 1.

EA43 A

Step 2. Casters/Glides/Seat-Height Adjustment

5	casters with manual seat-height adjustment	A
4	glides with manual seat-height adjustment	A
5P	casters with pneumatic seat-height adjustment, standard-height range with tilt lock	A
5E	casters with pneumatic seat-height adjustment, extended-height range with tilt lock	A
5N	casters with manual seat-height adjustment, no arms	A
5PN	casters with pneumatic seat-height adjustment, no arms. standard-height range	A
5EN	casters with pneumatic seat-height adjustment, no arms, extended-height range	A

Prices for Steps 1-2.

EA435	\$2740
EA434	\$2740
EA435P	\$2920
EA435E	\$2990
EA435N	\$2300
EA435PN	\$2480
EA435EN	\$2550

Step 3. Casters

For casters with manual seat-height adjustment (5), casters with pneumatic seat-height adjustment, standard-height range with tilt lock (5P), casters with pneumatic seat-height adjustment, extended-height range with tilt lock (5E), casters with manual seat-height adjustment, no arms (5N), casters with pneumatic seat-height adjustment, no arms. standard-height range (5PN), or casters with pneumatic seat-height adjustment, no arms, extended-height range (5EN)

BSC	2" soft double wheel caster, hard floors or carpet, black	A	+\$0
MD	2" soft double wheel caster, hard floors or carpet, chrome	A	+\$0
UD	2" hard double wheel caster, carpet, black painted	A	+\$0
VD	2" hard double wheel caster, carpet, chrome	A	+\$0

Step 4. Base Finish

L	polished aluminum	A	+\$0
BK	black	A	+\$28
G2	graphite satin	A	+\$28
91	white	A	+\$28

Step 5. Frame Finish

For polished aluminum (L)

L polished aluminum A +\$0

For black (BK)

BK black A +\$107

For graphite satin (G2)

G2 graphite satin A +\$107

For white (91)

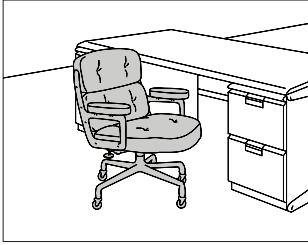
91 white A +\$107

Step 6. Fabric

See application chart and textiles list for fabric usage and numbers.

First 2 digits of number indicate fabric line; remaining digit(s) indicate fabric color.

Price Category 1	+\$0
Price Category 2	+\$70
Price Category 3	+\$152
Price Category (Geiger) 3	+\$152
Price Category 4	+\$234
Price Category 5	+\$282
Price Category (Geiger) 5	+\$282
Price Category 6	+\$329
Price Category 7	+\$288
Price Category (Geiger) 7	+\$288
Price Category 9	+\$574
Price Category (Geiger) 10	+\$649
Price Category 10M	+\$879
Price Category 11	+\$768
Price Category B	+\$64
Price Category C	+\$80
Price Category D	+\$0
Price Category E	+\$175
Price Category F	+\$245
Price Category G	+\$314
Price Category H	+\$418
Price Category I	+\$523
Price Category J	+\$621
Price Category K	+\$708
Price Category L	+\$796
Price Category M	+\$883
Price Category N	+\$0
Price Category P	+\$0



Product Information

Description

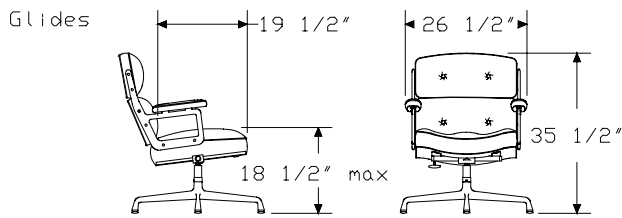
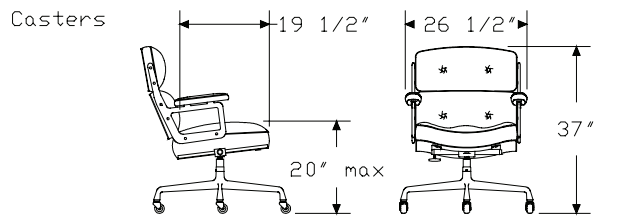
This upholstered chair has contoured seat and back cushions and padded armrests. The seat has a 4½"-thick foam cushion and the back has 2 3"-thick foam cushions. It has a 5-star base, tilt-swivel mechanism, and seat-height adjustment. The chair is available with casters or glides. The chair with glides includes ½" (GD) glides for hard floors or carpet.

Notes

Chair is tested and warranted for use by persons 300 pounds and under. For description of casters and glides, see Casters and Glides in Appendices.

Customer's Own Material (COM) requires 3 yards. Customer's Own Leather (COL) requires 52 square feet. See Order Information in Appendices.

Dimensions



Specification Information

Step 1.

ES204 [A] \$4063

Step 2. Casters/Glides

- BSC** 2" soft double wheel caster, hard floors or carpet, black [A] +\$0
- GD** ½" glide, hard floors or carpet [A] +\$0
- MD** 2" soft double wheel caster, hard floors or carpet, chrome [A] +\$0
- UD** 2" hard double wheel caster, carpet, black painted [A] +\$0
- VD** 2" hard double wheel caster, carpet, chrome [A] +\$0

Step 3. Base Finish

- L** polished aluminum [A] +\$0
- BK** black [A] +\$17
- G2** graphite satin [A] +\$17
- 91** white [A] +\$22

Step 4. Frame Finish

For polished aluminum (L)

L polished aluminum [A] +\$0

For black (BK)

BK black [A] +\$66

For graphite satin (G2)

G2 graphite satin [A] +\$66

For white (91)

91 white [A] +\$82

Step 5. Fabric

See application chart and textiles list for fabric usage and numbers. First 2 digits of number indicate fabric line; remaining digit(s) indicate fabric color.

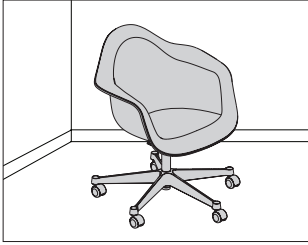
- Price Category 1 +\$0
- Price Category 2 +\$72
- Price Category 3 +\$164
- Price Category (Geiger) 3 +\$164
- Price Category 4 +\$262
- Price Category (Geiger) 4 +\$262
- Price Category 5 +\$329
- Price Category (Geiger) 5 +\$329
- Price Category 6 +\$0
- Price Category (Geiger) 6 +\$332

Eames® Executive Chair *continued*

Price Category 7	+\$349
Price Category (Geiger) 7	+\$349
Price Category 9	+\$630
Price Category (Geiger) 10	+\$685
Price Category 10M	+\$1183
Price Category 11	+\$851
Price Category (Geiger) 11	+\$851
Price Category B	+\$99
Price Category C	+\$138
Price Category D	+\$176
Price Category E	+\$213
Price Category F	+\$275
Price Category G	+\$358
Price Category H	+\$435
Price Category I	+\$511
Price Category J	+\$588
Price Category K	+\$664
Price Category L	+\$740
Price Category M	+\$817
Price Category N	+\$893
Price Category O	+\$1270
Price Category P	+\$1046
Price Category Q	+\$1126
Price Category R	+\$2098
Price Category V	+\$2434

Eames® Task Chair, Arm Shell

PACCF.
PACCP.



Product Information

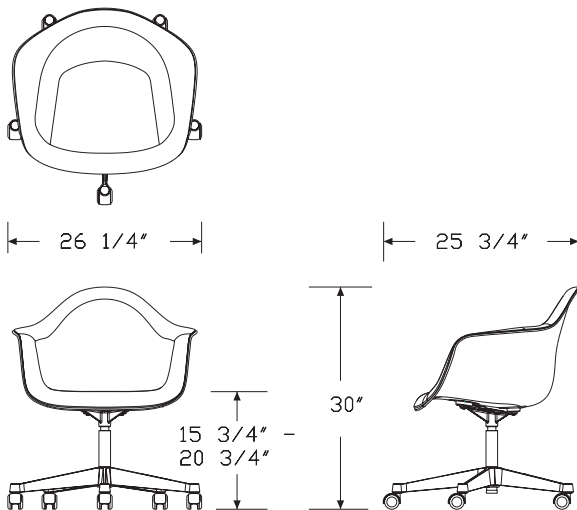
Description

This task chair is an extension of the Eames® shell chair family, offering select shell and upholstery combinations on a 5-star base with a pneumatic height adjustment range of up to 5". The arm shell has a single-piece molded plastic or fiberglass shell with waterfall edges and available upholstery options. Shell color and upholstery options mirror the existing Eames Molded Plastic and Fiberglass Arm Chair portfolio. Task chair upholstered with textiles or leather is for indoor use only. Ships assembled.

Notes

Customer's Own Material/Customer's Own Leather not available.
5-star base has 1/2" glides (GD) for hard floors or carpet. For description of glide, see Casters & Glides in appendices.

Dimensions



HermanMiller Collection—Work Chairs

Specification Information

Step 1.

PACC A

Step 2. Material

P. plastic A

F. fiberglass A

Step 3. Upholstery

N nonupholstered A

P upholstered seat pad A

U fully upholstered shell A

Prices for Steps 1-3.

PACCP. N	\$935
P	\$1005
U	\$1045

PACCF. N	\$1215
P	\$1285
U	\$1325

Step 4. Back Finish

For plastic (P.)

4T	aqua sky <input type="checkbox"/> A	+\$0
9J	sparrow <input type="checkbox"/> A	+\$0
ZA	black <input type="checkbox"/> A	+\$0
ZE	red orange <input type="checkbox"/> A	+\$0
ZF	white <input type="checkbox"/> A	+\$0
ZM	alpine <input type="checkbox"/> A	+\$0
PYW	pale yellow <input type="checkbox"/> A	+\$0
BLE	blue ice <input type="checkbox"/> A	+\$0
BLH	blush <input type="checkbox"/> A	+\$0
PBL	peacock blue <input type="checkbox"/> A	+\$0
STN	stone <input type="checkbox"/> A	+\$0
KGR	kelly green <input type="checkbox"/> A	+\$0
CHL	charcoal <input type="checkbox"/> A	+\$0

Eames® Task Chair, Arm Shell

continued

For fiberglass (F.)

111	parchment <input type="checkbox"/> A	+\$0
112	elephant hide grey <input type="checkbox"/> A	+\$0
113	ultramarine blue <input type="checkbox"/> A	+\$0
114	red orange <input type="checkbox"/> A	+\$0
115	lemon yellow <input type="checkbox"/> A	+\$0
116	green <input type="checkbox"/> A	+\$0
117	navy blue <input type="checkbox"/> A	+\$0
118	black <input type="checkbox"/> A	+\$0
119	seal brown <input type="checkbox"/> A	+\$0

Step 5. Edge Finish

For fully upholstered shell (U)

111	parchment <input type="checkbox"/> A	+\$0
BK	black <input type="checkbox"/> A	+\$0
ZF	white <input type="checkbox"/> A	+\$0

Step 6. Fabric

For upholstered seat pad (P)

Price Category 1 <input type="checkbox"/> A	+\$0
Price Category 2	+\$35
Price Category 4	+\$33
Price Category 5	+\$35
Price Category 9	+\$209
Price Category 11	+\$254
Price Category G	+\$170
Price Category H	+\$210
Price Category K	+\$380

For fully upholstered shell (U)

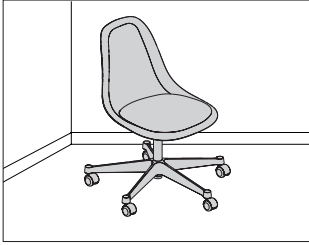
Price Category 1 <input type="checkbox"/> A	+\$0
Price Category 2	+\$25
Price Category 5	+\$35
Price Category H	+\$210
Price Category K	+\$380

Step 7. Casters

MD	2" soft double wheel caster, hard floors or carpet, chrome <input type="checkbox"/> A	+\$0
VD	2" hard double wheel caster, carpet, chrome <input type="checkbox"/> A	+\$0
BSC	2" soft double wheel caster, hard floors or carpet, black <input type="checkbox"/> A	+\$0
UD	2" hard double wheel caster, carpet, black painted <input type="checkbox"/> A	+\$0

Eames® Task Chair, Side Shell

PSCCD.
PSCCF.
PSCCP.
PSCCR.



Product Information

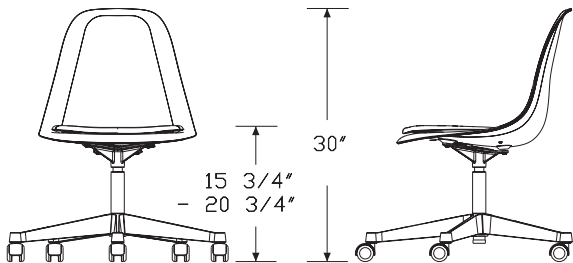
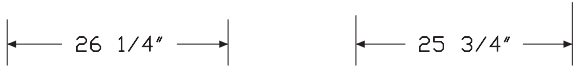
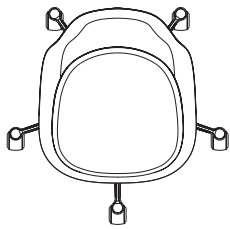
Description

This task chair is an extension of the Eames® shell chair family, offering select shell and upholstery combinations on a 5-star base with a pneumatic height-adjustment range of up to 5". The plastic, fiberglass and wood side chairs have a single-piece molded shell with waterfall edges and available upholstery options. The wire shell is available with upholstered seat and back or with upholstered seat only. Wire shell is available in trivalent chrome or powder-coated white or black. Task chair upholstered with textiles or leather is for indoor use only. Ships assembled.

Notes

Customer's Own Material/Customer's Own Leather not available.
5-star base has 1/2" glides (GD) for hard floors or carpet. For description of glide, see Casters & Glides in appendices.

Dimensions



Specification Information

Step 1.

PSCC

Step 2. Material

- P.** plastic
- F.** fiberglass
- D.** wood
- R.** wire

Step 3. Upholstery

For plastic (P.) or fiberglass (F.)

- N** nonupholstered
- P** upholstered seat pad
- U** fully upholstered shell

For wood (D.)

- N** nonupholstered
- P** upholstered seat pad

For wire (R.)

- 2** wire shell/upholstered seat/back
- 5** wire shell/upholstered seat/wire back

Prices for Steps 1-3.

PSCCP. N	\$795
P	\$865
U	\$905
PSCCF. N	\$1075
P	\$1145
U	\$1185
PSCCD. N	\$1310
P	\$1380
PSCCR. 2	\$1710
5	\$1360

Eames® Task Chair, Side Shell

continued

Step 4. Back Finish

For plastic (P.)

4T	aqua sky <input type="checkbox"/>	+\$0
9J	sparrow <input type="checkbox"/>	+\$0
ZA	black <input type="checkbox"/>	+\$0
ZE	red orange <input type="checkbox"/>	+\$0
ZF	white <input type="checkbox"/>	+\$0
ZM	alpine <input type="checkbox"/>	+\$0
PYW	pale yellow <input type="checkbox"/>	+\$0
BLE	blue ice <input type="checkbox"/>	+\$0
BLH	blush <input type="checkbox"/>	+\$0
PBL	peacock blue <input type="checkbox"/>	+\$0
STN	stone <input type="checkbox"/>	+\$0
KGR	kelly green <input type="checkbox"/>	+\$0
CHL	charcoal <input type="checkbox"/>	+\$0

For fiberglass (F.)

111	parchment <input type="checkbox"/>	+\$0
112	elephant hide grey <input type="checkbox"/>	+\$0
113	ultramarine blue <input type="checkbox"/>	+\$0
114	red orange <input type="checkbox"/>	+\$0
115	lemon yellow <input type="checkbox"/>	+\$0
116	green <input type="checkbox"/>	+\$0
117	navy blue <input type="checkbox"/>	+\$0
118	black <input type="checkbox"/>	+\$0
119	seal brown <input type="checkbox"/>	+\$0

For wood (D.)

9N	santos palisander <input type="checkbox"/>	+\$289
A2	white ash <input type="checkbox"/>	+\$116
EN	ebony <input type="checkbox"/>	+\$116
OU	walnut <input type="checkbox"/>	+\$0

For wire (R.)

47	trivalent chrome <input type="checkbox"/>	+\$20
91	white <input type="checkbox"/>	+\$0
BK	black <input type="checkbox"/>	+\$0

Step 5. Edge Finish

For fully upholstered shell (U)

111	parchment <input type="checkbox"/>	+\$0
BK	black <input type="checkbox"/>	+\$0
ZF	white <input type="checkbox"/>	+\$0

Step 6. Fabric

For upholstered seat pad (P)

Price Category 1 <input type="checkbox"/>	+\$0
Price Category 2	+\$25
Price Category 4	+\$33
Price Category 5	+\$35
Price Category 9	+\$209
Price Category 11	+\$254
Price Category G	+\$170
Price Category H	+\$210
Price Category K	+\$380

For fully upholstered shell (U)

Price Category 1 <input type="checkbox"/>	+\$0
Price Category 2	+\$25
Price Category 5	+\$35
Price Category H	+\$210
Price Category K	+\$380

For wire shell/upholstered seat/back (2)

Price Category 5	+\$59
Price Category 9	+\$209
Price Category 11	+\$254
Price Category D	+\$59
Price Category K	+\$380

For wire shell/upholstered seat/wire back (5)

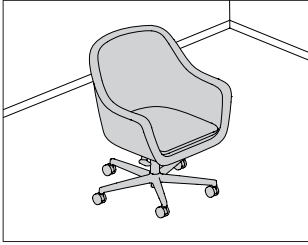
Price Category 2	+\$25
Price Category 4	+\$33
Price Category 5	+\$59
Price Category 9	+\$209
Price Category 11	+\$254
Price Category D	+\$59
Price Category G	+\$170
Price Category H	+\$210
Price Category K	+\$380

Step 7. Casters

MD	2" soft double wheel caster, hard floors or carpet, chrome <input type="checkbox"/>	+\$0
VD	2" hard double wheel caster, carpet, chrome <input type="checkbox"/>	+\$0
BSC	2" soft double wheel caster, hard floors or carpet, black <input type="checkbox"/>	+\$0
UD	2" hard double wheel caster, carpet, black painted <input type="checkbox"/>	+\$0

Bumper Conference Chair

SBR5N



Product Information

Description

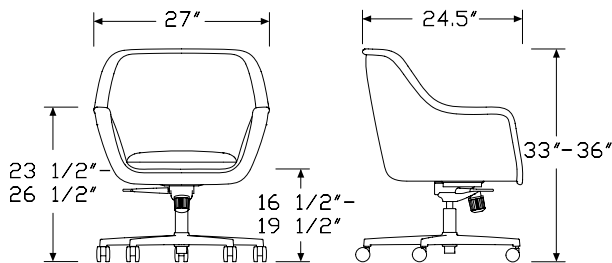
This conference chair has upholstered inner and outer shells and arm cap, each made from one continuous piece of fabric or leather, and an upholstered seat cushion. The frame is rigid molded urethane with foam inserts, and seat and back are FR foam over rigid inserts. The 5-star swivel base is polished cast aluminum, available with several dual-wheel caster options.

Notes

Customers Own Material (COM) requires 2½ yards for the shell inside and outside, an additional 1¾ yards for the arm cap and cushion, or 4¼ yards when specify entire chair in the same fabric. See Order Information in Appendices.

Customers Own Leather (COL) requires 45 square feet for the shell inside and outside, an additional 31½ square feet for the arm cap and cushion, or 76½ yards when specify entire chair in the same leather. See Order Information in Appendices.

Dimensions



Specification Information

Step 1.

SBR5N A \$1951

Step 2. Shell Upholstery

Price Category 1	+\$0
Price Category (Geiger) 2	+\$118
Price Category 2	+\$118
Price Category (Geiger) 3	+\$148
Price Category 3	+\$148
Price Category (Geiger) 4	+\$180
Price Category 4	+\$180
Price Category (Geiger) 5	+\$263
Price Category 5	+\$263
Price Category (Geiger) 6	+\$345
Price Category (Geiger) 7	+\$428
Price Category (Geiger) 8	+\$655
Price Category 9	+\$813
Price Category (Geiger) 10	+\$935
Price Category (Geiger) 11	+\$1048
Price Category 11	+\$1048
Price Category (Geiger) 14	+\$0
Price Category (Geiger) C	+\$133
Price Category (Geiger) D	+\$175
Price Category (Geiger) E	+\$213
Price Category (Geiger) F	+\$255
Price Category (Geiger) G	+\$348
Price Category (Geiger) H	+\$433
Price Category (Geiger) I	+\$523
Price Category (Geiger) J	+\$613
Price Category (Geiger) K	+\$703
Price Category (Geiger) L	+\$793
Price Category (Geiger) M	+\$883
Price Category (Geiger) N	+\$973
Price Category (Geiger) O	+\$1063
Price Category (Geiger) P	+\$1150
Price Category (Geiger) Q	+\$1328
Price Category (Geiger) R	+\$1850
Price Category (Geiger) S	+\$1988
Price Category (Geiger) T	+\$2125
Price Category (Geiger) U	+\$2263
Price Category (Geiger) X	+\$2675
Price Category (Geiger) Y	+\$2813
Price Category (Geiger) COL A	+\$135
Price Category (Geiger) COM A	+\$0

Bumper Conference Chair *continued*

Step 3. Arm Cap and Cushion Upholstery

Price Category 1	+\$0
Price Category (Geiger) 2	+\$0
Price Category 2	+\$82
Price Category (Geiger) 3	+\$103
Price Category 3	+\$103
Price Category (Geiger) 4	+\$126
Price Category 4	+\$126
Price Category (Geiger) 5	+\$184
Price Category 5	+\$184
Price Category (Geiger) 6	+\$242
Price Category (Geiger) 7	+\$299
Price Category (Geiger) 8	+\$459
Price Category 9	+\$569
Price Category (Geiger) 10	+\$655
Price Category (Geiger) 11	+\$733
Price Category 11	+\$733
Price Category (Geiger) 14	+\$0
Price Category (Geiger) C	+\$93
Price Category (Geiger) D	+\$123
Price Category (Geiger) E	+\$149
Price Category (Geiger) F	+\$179
Price Category (Geiger) G	+\$243
Price Category (Geiger) H	+\$303
Price Category (Geiger) I	+\$366
Price Category (Geiger) J	+\$429
Price Category (Geiger) K	+\$492
Price Category (Geiger) L	+\$555
Price Category (Geiger) M	+\$618
Price Category (Geiger) O	+\$744
Price Category (Geiger) P	+\$805
Price Category (Geiger) Q	+\$929
Price Category (Geiger) R	+\$1295
Price Category (Geiger) S	+\$1391
Price Category (Geiger) X	+\$1873
Price Category (Geiger) Y	+\$1969
Price Category (Geiger) COM <input type="checkbox"/>	+\$0
Price Category (Geiger) COL <input type="checkbox"/>	+\$306

Step 4. Base Finish

CD polished aluminum <input type="checkbox"/>	+\$0
--	------

Step 5. Caster Option

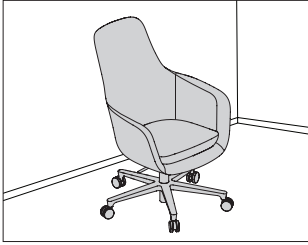
AA 2½" hard double wheel caster, polished cast aluminum yoke, carpet <input type="checkbox"/>	+\$35
BB 2½" hard caster, black yoke, carpet only <input type="checkbox"/>	+\$0
C7 2½" caster, black yoke, hard floors or carpet <input type="checkbox"/>	+\$35

Step 6. Fire Retardancy

NOCAL not fire retardant <input type="checkbox"/>	+\$0
133 fire retardant <input type="checkbox"/>	+\$276

Saiba Multitask Chair

SBN3H
SBN3M



Product Information

Description

This swivel chair has a high back or mid back and a 5-star base with dual wheel casters. It has a tilt mechanism with lock and an adjustable height range of 4 1/4". Seat frame is rigid urethane with polyurethane foam. Cushion is high density FR foam.

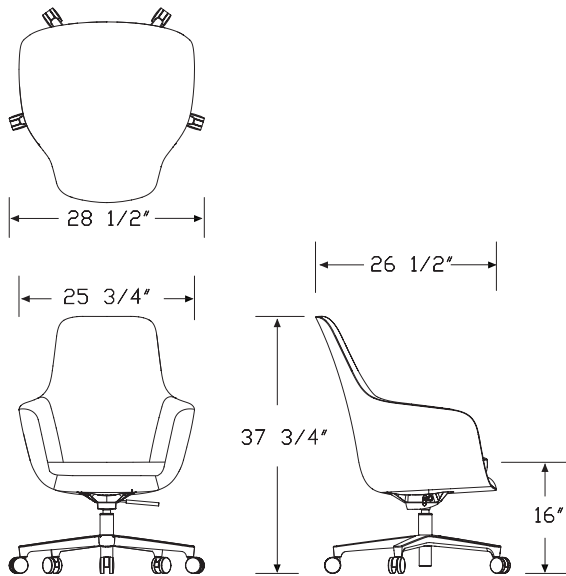
Notes

Cylinder and mechanism color will match base finish.

Casters available only in black.

Customer's Own Material (COM) requires 3 yards for high back (H) or 2 3/4 yards for mid back (M). Customer's Own Leather (COL) requires 54 square feet for high back (H) or 49 1/2 square feet for mid back (M). See Order Information in appendices.

Dimensions



HermanMiller Collection—Work Chairs

Specification Information

Step 1.

SBN3 A

Step 2. Back Height

M mid back A

H high back A

Prices for Steps 1-2.

SBN3M	\$2150
SBN3H	\$2250

Step 3. Upholstery

	M	H
Price Category (Geiger) COL <input type="checkbox"/> A	+\$0	0
Price Category (Geiger) COM <input type="checkbox"/> A	+\$0	0
Price Category 1	+\$0	0
Price Category (Geiger) 2	+\$0	0
Price Category 2	+\$129	177
Price Category (Geiger) 3	+\$162	177
Price Category 3	+\$162	177
Price Category (Geiger) 4	+\$198	216
Price Category (Geiger) 5	+\$289	315
Price Category 5	+\$289	315
Price Category (Geiger) 7	+\$470	513
Price Category 9	+\$894	975
Price Category (Geiger) 10	+\$1029	1122
Price Category (Geiger) 11	+\$1152	1257
Price Category 11	+\$1152	1257
Price Category (Geiger) H	+\$476	519

Step 4. Base Finish

BK black <input type="checkbox"/> A	+\$0
CD polished aluminum <input type="checkbox"/> A	+\$0

Step 5. Caster Option

BB hard dual wheels, black yoke <input type="checkbox"/> A	+\$0
C7 soft dual wheels, black yoke <input type="checkbox"/> A	+\$35

Step 6. Fire Retardancy

	M	H
NOCAL no cal-133 required <input type="checkbox"/> A	+\$0	0
133 cal-133 required <input type="checkbox"/> A	+\$179	195

Taper Chair

SFA1P
SFA1S
SFA1T
SFA2P
SFA2S
SFA2T



Product Information

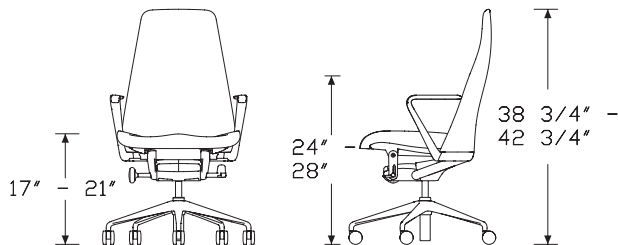
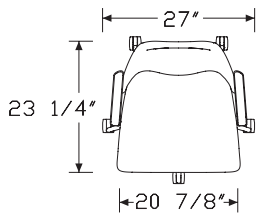
Description

This upholstered executive chair has a contoured high back that provides zonal support. The tilt mechanism uses a pair of adjustable carbon fiber leaf springs that control resistance. The suspended seat uses SuperSeat™ technology to create a deep seat pocket and responsive surface. This chair has a 5-star base with casters and pneumatic seat height adjustment. Fixed-height arms can be specified with either urethane or upholstery options.

Notes

Customer's Own Material (COM) requires 1¾ yards. Customer's Own Leather (COL) requires 31½ square feet. See Order Information in appendices.

Dimensions



Specification Information

Step 1.

SF A

Step 2. Back Height

A high back, full function tilt A

Step 3. Arms

1 upholstered arms A

2 urethane arms A

Step 4. Stitching Detail

P lapped edge with coordinating thread A

S single stitch with contrasting thread A

T single stitch with coordinating thread A

Prices for Steps 1-4.

SFA1P	\$1995
SFA1S	\$1945
SFA1T	\$1895
SFA2P	\$1875
SFA2S	\$1825
SFA2T	\$1775

Step 5. Upholstery

For single stitch with coordinating thread (T)

Price Category (Geiger) COL <input type="checkbox"/> A	+\$126
Price Category (Geiger) COM <input type="checkbox"/> A	+\$0
Price Category (Geiger) 3	+\$104
Price Category (Geiger) 4	+\$126
Price Category (Geiger) 5	+\$184
Price Category (Geiger) 7	+\$300
Price Category 9	+\$569
Price Category (Geiger) 10	+\$655
Price Category (Geiger) 11	+\$734
Price Category 11	+\$734

For lapped edge with coordinating thread (P)

Price Category (Geiger) COL <input type="checkbox"/> A	+\$126
Price Category 9	+\$569
Price Category (Geiger) 10	+\$655
Price Category (Geiger) 11	+\$734
Price Category 11	+\$734

Taper Chair *continued*

For single stitch with contrasting thread (S)

Price Category (Geiger) 4	+\$126
Price Category 9	+\$569
Price Category (Geiger) 10	+\$655
Price Category 11	+\$734
Price Category (Geiger) 11	+\$734

Step 6. Arm Upholstery

For upholstered arms (1)

Price Category (Geiger) 4	+\$8
Price Category 9	+\$33
Price Category (Geiger) 10	+\$38
Price Category (Geiger) 11	+\$42
Price Category 11	+\$42
Price Category (Geiger) COL <input type="checkbox"/> A	+\$0

Step 7. Arm/Base Finish

CD polished aluminum <input type="checkbox"/> A	+\$0
G1 graphite <input type="checkbox"/> A	+\$0

Step 8. Casters

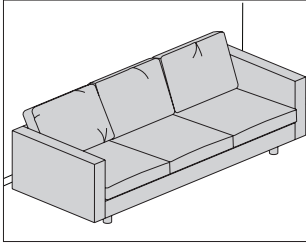
BB 2 1/2" hard caster, black yoke, carpet only <input type="checkbox"/> A	+\$0
C7 2 1/2" caster, black yoke, hard floors or carpet <input type="checkbox"/> A	+\$35

Step 9. Fire Retardancy

NOCAL no cal-133 required <input type="checkbox"/> A	+\$0
---	------

Lispenard Sofa

AL510



Product Information

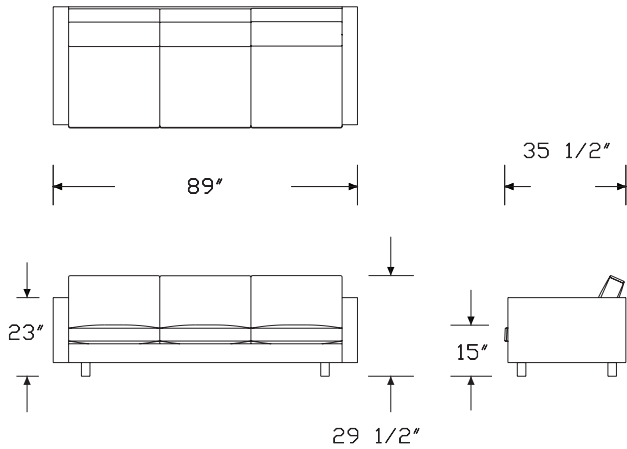
Description

The 3-seat sofa cushion construction features a combination of duck feather and down. The sofa offers a sit height of 15" and a depth of 23 1/2" at a depth pitch of 1 1/4". The 4"-high rounded wooden legs are available in walnut and white oak finishes.

Notes

Customer's Own Material (COM) requires 14 yards. Customer's Own Leather (COL) requires 167 square feet. See Order Information in appendices.

Dimensions



Specification Information

Step 1.

AL51 A

Step 2. Configuration

003 sofa A

Prices for Steps 1-2.

AL51003 \$5310

Step 3. Cushion Alignment

A attached cushions A +\$200

Step 4. Leg Finish

OU walnut A +\$0

LTO light oak A +\$0

Step 5. Fabric

Price Category 1 A +\$0

Price Category 2 +\$102

Price Category 5 +\$920

Price Category 7 +\$1810

Price Category 9 +\$3740

Price Category 10 +\$3220

Price Category 11 +\$4240

Price Category 14 +\$5400

Price Category D +\$726

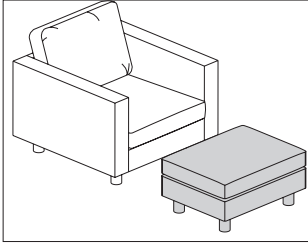
Price Category G +\$1474

Price Category H +\$1791

Price Category J +\$2420

Lispenard Ottoman

AL510



Product Information

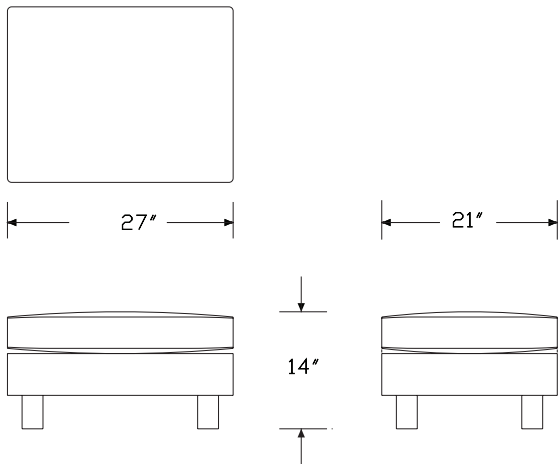
Description

The ottoman cushion construction features a combination of duck feather and down. Sit height is 14". Ottoman is rectangular and measures 21" x 27". The 4"-high rounded wooden legs are available in walnut and white oak finishes.

Notes

Customer's Own Material (COM) requires 3 yards. Customer's Own Leather (COL) requires 36 square feet. See Order Information in appendices.

Dimensions



HermanMiller Collection—Sofas

Specification Information

Step 1.

AL51 A

Step 2. Configuration

004 ottoman A

Prices for Steps 1-2.

AL51004 \$1750

Step 3. Leg Finish

OU walnut A +\$0

LTO light oak A +\$0

Step 4. Fabric

Price Category 1 A +\$0

Price Category 2 +\$22

Price Category 5 +\$152

Price Category 7 +\$660

Price Category 9 +\$860

Price Category 10 +\$1120

Price Category 11 +\$1210

Price Category 14 +\$1870

Price Category D +\$156

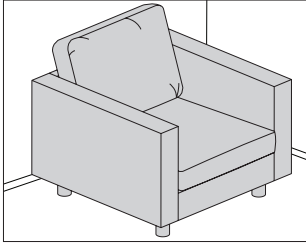
Price Category G +\$316

Price Category H +\$384

Price Category J +\$519

Lispenard Chair

AL510



Product Information

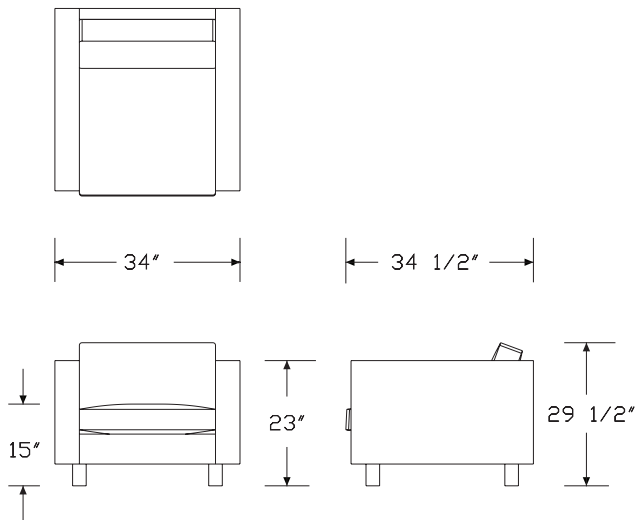
Description

The armchair cushion construction features a combination of duck feather and down. The chair offers a sit height of 15" and a depth of 23 1/2" at a depth pitch of 1 1/4". The 4"-high rounded wooden legs are available in walnut and white oak finishes.

Notes

Customer's Own Material (COM) requires 6 yards. Customer's Own Leather (COL) requires 85 square feet. See Order Information in appendices.

Dimensions



Specification Information

Step 1.

AL51 A

Step 2. Configuration

000 armchair A

Prices for Steps 1-2.

AL51000 \$3180

Step 3. Cushion Alignment

A attached cushions A +\$70

Step 4. Leg Finish

OU walnut A +\$0

LTO light oak A +\$0

Step 5. Fabric

Price Category 1 A +\$0

Price Category 2 +\$44

Price Category 5 +\$304

Price Category 7 +\$630

Price Category 9 +\$1980

Price Category 10 +\$1420

Price Category 11 +\$2240

Price Category 14 +\$2740

Price Category D +\$311

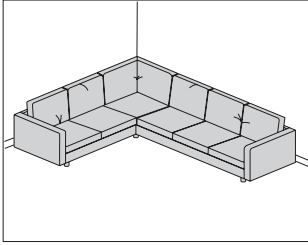
Price Category G +\$632

Price Category H +\$768

Price Category J +\$902

Lispenard Sectional

AL510



Product Information

Description

The corner sectional's cushion construction features a combination of duck feather and down. Sit height is 15" with a depth of 23 1/2" at a depth pitch of 1 1/4". The 4"-high rounded wooden legs are available in walnut and white oak finishes.

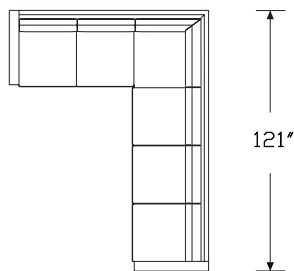
Notes

For corner sectional, right (AL51005), right side dimension is 121" (longer side).

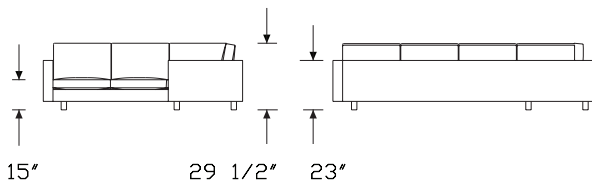
For corner sectional, left (AL51006), left side dimension is 121" (longer side).

Customer's Own Material (COM) requires 28 yards. Customer's Own Leather (COL) requires 336 square feet. See Order Information in appendices.

Dimensions



92 1/2"



HermanMiller Collection—Sofas

Specification Information

Step 1.

AL51 A

Step 2. Configuration

005 corner sectional, right A

006 corner sectional, left A

Prices for Steps 1-2.

AL51005 \$10860

AL51006 \$10860

Step 3. Cushion Alignment

A attached cushions A +\$380

Step 4. Leg Finish

OU walnut A +\$0

LTO light oak A +\$0

Step 5. Fabric

Price Category 1 A +\$0

Price Category 2 +\$204

Price Category 5 +\$1417

Price Category 7 +\$2940

Price Category 9 +\$7550

Price Category 10 +\$5220

Price Category 11 +\$8550

Price Category 14 +\$8750

Price Category D +\$1453

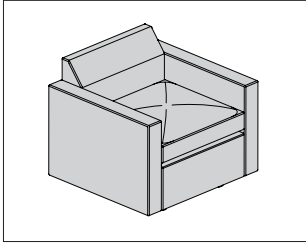
Price Category G +\$2947

Price Category H +\$3583

Price Category J +\$4840

Bevel Club Chair

AL6C1



Product Information

Description

This chair features wood frame construction, fire retardant free foam and down topper. Legs are wood in ebony finish. Ganging hardware included.

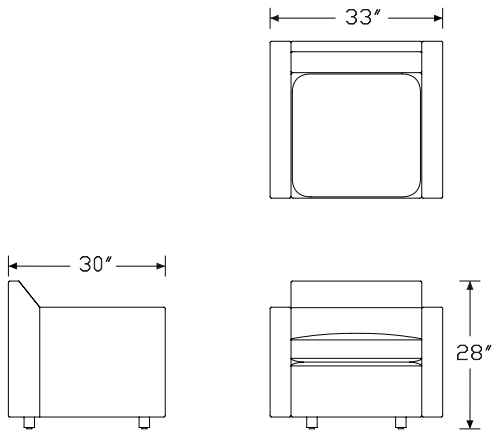
Notes

Handedness is determined from a seated position.

Customer's Own Material (COM) requires 8 yards. Customer's Own Leather (COL) requires 144 square feet. See Order Information in Appendices.

Limited textile selection available. See application chart in appendices.

Dimensions



Specification Information

Step 1.

AL6C A

Step 2. Configuration

1000 club chair A

Prices for Steps 1-2.

AL6C1000 \$2822

Step 3. Leg Finish

EN ebony A +\$0

Step 4. Fabric

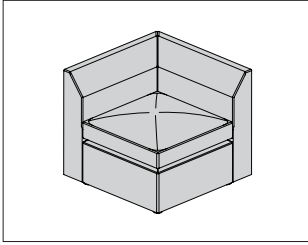
Price Category 1	+\$0
Price Category 2	+\$20
Price Category 3	+\$100
Price Category (Geiger) 3	+\$107
Price Category 4	+\$300
Price Category (Geiger) 4	+\$208
Price Category 5	+\$325
Price Category (Geiger) 5	+\$354
Price Category (Geiger) 6	+\$500
Price Category 7	+\$592
Price Category (Geiger) 7	+\$415
Price Category 9	+\$1479
Price Category (Geiger) 9	+\$1479
Price Category 10	+\$1245
Price Category 11	+\$1689
Price Category 14	+\$2155
Price Category D	+\$0
Price Category G	+\$947
Price Category H	+\$1152
Price Category J	+\$1556

Step 5. Fire Retardancy

NFR not fire retardant <input type="checkbox"/> A	+\$0
FR fire retardant <input type="checkbox"/> A	+\$150

Bevel Corner

AL6C1



Product Information

Description

This corner features wood frame construction, fire retardant free foam and down topper. Legs are wood in ebony finish. Ganging hardware included.

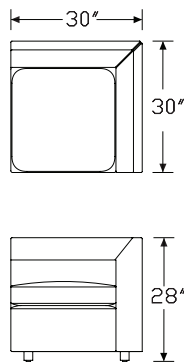
Notes

Handedness is determined from a seated position.

Customer's Own Material (COM) requires 8 yards. Customer's Own Leather (COL) requires 144 square feet. See Order Information in Appendices.

Limited textile selection available. See application chart in appendices.

Dimensions



HermanMiller Collection—Sofas

Specification Information

Step 1.

AL6C A

Step 2. Configuration

1005 corner A

Prices for Steps 1-2.

AL6C1005 \$2705

Step 3. Leg Finish

EN ebony A +\$0

Step 4. Fabric

Price Category 1	+\$0
Price Category 2	+\$20
Price Category 3	+\$100
Price Category (Geiger) 3	+\$50
Price Category 4	+\$300
Price Category (Geiger) 4	+\$208
Price Category 5	+\$400
Price Category (Geiger) 5	+\$354
Price Category (Geiger) 6	+\$500
Price Category 7	+\$728
Price Category (Geiger) 7	+\$360
Price Category 9	+\$1245
Price Category (Geiger) 9	+\$1245
Price Category 10	+\$1219
Price Category 11	+\$1415
Price Category 14	+\$2155
Price Category D	+\$0
Price Category G	+\$663
Price Category H	+\$806
Price Category J	+\$1089

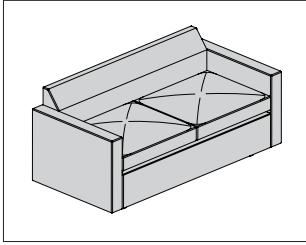
Step 5. Fire Retardancy

NFR not fire retardant A +\$0

FR fire retardant A +\$0

Bevel Settee

AL6C1



Product Information

Description

This settee features wood frame construction, fire retardant free foam and down topper. It is available with or without arms or in left-arm or right-arm configuration. Legs are wood in ebony finish. Ganging hardware included. Shipped on end.

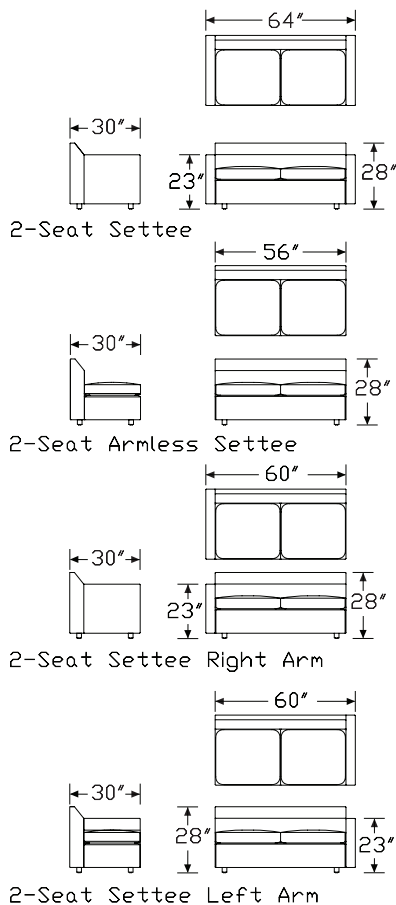
Notes

Handedness is determined from a seated position.

Customer's Own Material (COM) requires 12 yards. Customer's Own Leather (COL) requires 216 square feet. See Order Information in Appendices.

Limited textile selection available. See application chart in appendices.

Dimensions



Specification Information

Step 1.

AL6C A

Step 2. Configuration

1002 2-seat settee A

1002A 2-seat armless settee A

1002R 2-seat settee right arm A

1002L 2-seat settee left arm A

Prices for Steps 1-2.

AL6C1002	\$3688
AL6C1002A	\$3264
AL6C1002R	\$3458
AL6C1002L	\$3458

Step 3. Leg Finish

EN ebony A +\$0

Step 4. Fabric

Price Category 1	+\$0
Price Category 2	+\$40
Price Category 3	+\$200
Price Category (Geiger) 3	+\$76
Price Category 4	+\$300
Price Category (Geiger) 4	+\$253
Price Category 5	+\$415
Price Category (Geiger) 5	+\$430
Price Category (Geiger) 6	+\$607
Price Category 7	+\$755
Price Category (Geiger) 7	+\$554
Price Category 9	+\$2379
Price Category (Geiger) 9	+\$2379
Price Category 10	+\$1565
Price Category 11	+\$2709
Price Category 14	+\$2770
Price Category D	+\$0
Price Category G	+\$1405
Price Category H	+\$1727
Price Category J	+\$2255

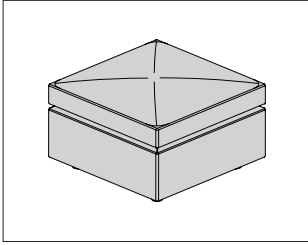
Step 5. Fire Retardancy

NFR not fire retardant A +\$0

FR fire retardant A +\$300

Bevel Ottoman

AL6C0



Product Information

Description

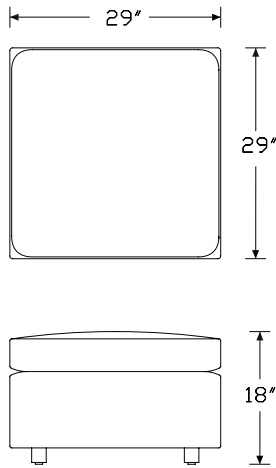
This ottoman features wood frame construction, fire retardant free foam and down topper. Legs are wood in ebony finish. Ganging hardware included.

Notes

Customer's Own Material (COM) requires 4 yards. Customer's Own Leather (COL) requires 72 square feet. See Order Information in Appendices.

Limited textile selection available. See application chart in appendices.

Dimensions



HermanMiller Collection—Sofas

Specification Information

Step 1.

AL6C

Step 2. Configuration

0400 ottoman

Prices for Steps 1-2.

AL6C0400 \$1952

Step 3. Leg Finish

EN ebony +\$0

Step 4. Fabric

Price Category 1	+\$0
Price Category 2	+\$15
Price Category 3	+\$30
Price Category (Geiger) 3	+\$34
Price Category 4	+\$75
Price Category (Geiger) 4	+\$119
Price Category 5	+\$195
Price Category (Geiger) 5	+\$202
Price Category (Geiger) 6	+\$286
Price Category 7	+\$355
Price Category (Geiger) 7	+\$249
Price Category 9	+\$869
Price Category (Geiger) 9	+\$869
Price Category 10	+\$715
Price Category 11	+\$995
Price Category 14	+\$1239
Price Category D	+\$0
Price Category G	+\$474
Price Category H	+\$576
Price Category J	+\$778

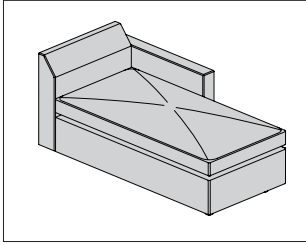
Step 5. Fire Retardancy

NFR not fire retardant +\$0

FR fire retardant +\$100

Bevel Chaise

AL6C1



Product Information

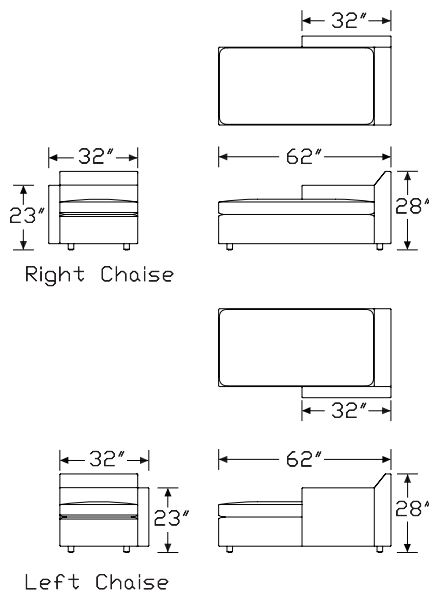
Description

This chaise features wood frame construction, fire retardant free foam and down topper. It is available in left-arm or right-arm configuration. Legs are wood in ebony finish. Ganging hardware included. Shipped on end.

Notes

Handedness is determined from a seated position.
 Customer's Own Material (COM) requires 8 yards. Customer's Own Leather (COL) requires 144 square feet. See Order Information in Appendices.
 Limited textile selection available. See application chart in appendices.

Dimensions



Specification Information

Step 1.

AL6C A

Step 2. Direction

1004L left chaise A

1004R right chaise A

Prices for Steps 1-2.

AL6C1004L	\$3518
AL6C1004R	\$3518

Step 3. Leg Finish

EN ebony A + \$0

Step 4. Fabric

Price Category 1	+ \$0
Price Category 2	+ \$40
Price Category 3	+ \$105
Price Category (Geiger) 3	+ \$76
Price Category 4	+ \$350
Price Category (Geiger) 4	+ \$268
Price Category 5	+ \$419
Price Category (Geiger) 5	+ \$455
Price Category (Geiger) 6	+ \$643
Price Category 7	+ \$763
Price Category (Geiger) 7	+ \$554
Price Category 9	+ \$2119
Price Category (Geiger) 9	+ \$2119
Price Category 10	+ \$1565
Price Category 11	+ \$2409
Price Category 14	+ \$2779
Price Category D	+ \$0
Price Category G	+ \$947
Price Category H	+ \$1152
Price Category J	+ \$1556

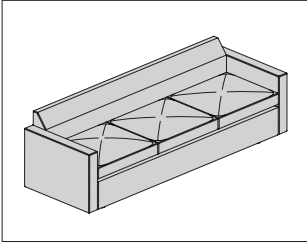
Step 5. Fire Retardancy

NFR not fire retardant <input type="checkbox"/> A	+ \$0
FR fire retardant <input type="checkbox"/> A	+ \$250

Herman Miller Collection - Sofas

Bevel Sofa

AL6C1



Product Information

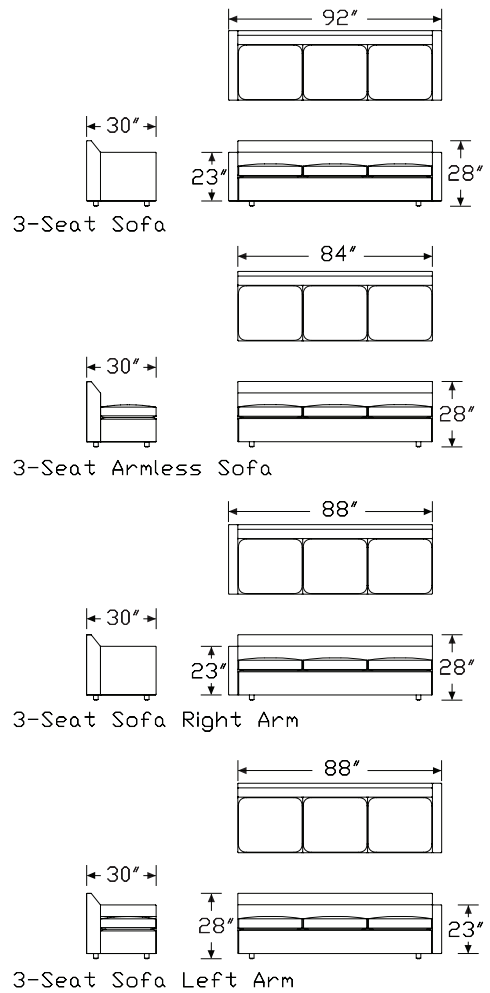
Description
 This sofa features wood frame construction, fire retardant free foam and down topper. It is available with or without arms or in left-arm or right-arm configuration. Legs are wood in ebony finish. Ganging hardware included. Shipped on end.

Notes

Handedness is determined from a seated position.
 Customer's Own Material (COM) requires 12 yards. Customer's Own Leather (COL) requires 216 square feet. See Order Information in Appendices.
 Limited textile selection available. See application chart in appendices.

HermanMiller Collection—Sofas

Dimensions



Specification Information

Step 1.

AL6C A

Step 2. Configuration

1003 3-seat sofa A

1003A 3-seat armless sofa A

1003R 3-seat sofa right arm A

1003L 3-seat sofa left arm A

Prices for Steps 1-2.

AL6C1003	\$4663
AL6C1003A	\$4233
AL6C1003R	\$4431
AL6C1003L	\$4431

Step 3. Leg Finish

EN ebony A +\$0

Step 4. Fabric

Price Category 1	+\$0
Price Category 2	+\$60
Price Category 3	+\$250
Price Category (Geiger) 3	+\$114
Price Category 4	+\$450
Price Category (Geiger) 4	+\$313
Price Category 5	+\$515
Price Category (Geiger) 5	+\$531
Price Category (Geiger) 6	+\$750
Price Category 7	+\$937
Price Category (Geiger) 7	+\$886
Price Category 9	+\$3205
Price Category (Geiger) 9	+\$3205
Price Category 10	+\$1915
Price Category 11	+\$3635
Price Category 14	+\$3389
Price Category D	+\$0
Price Category G	+\$1421
Price Category H	+\$1727
Price Category J	+\$1765

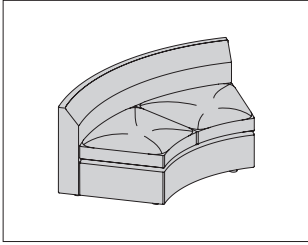
Step 5. Fire Retardancy

NFR not fire retardant A +\$0

FR fire retardant A +\$350

Bevel Curved Settee

AL6C2
AL6C3



Product Information

Description

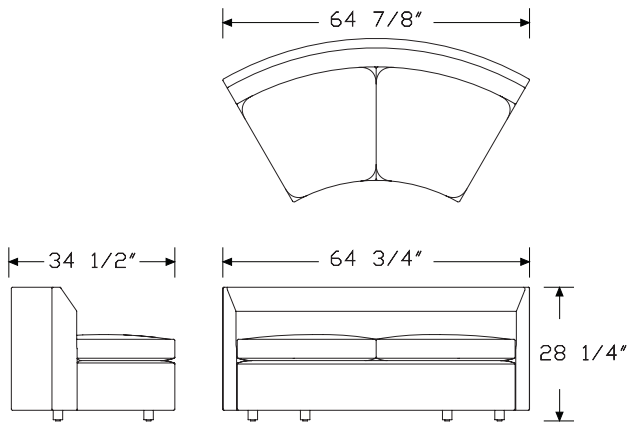
This curved settee features wood frame construction, fire retardant free foam and down topper. Legs are wood in ebony finish. Ganging hardware included.

Notes

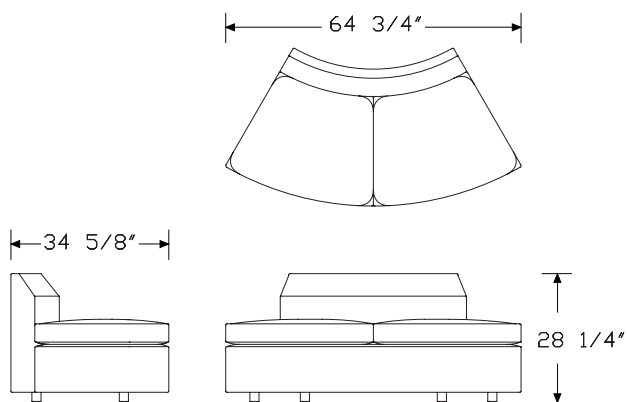
Customer's Own Material (COM) requires 5 yards. Customer's Own Leather (COL) requires 83 square feet. See Order Information in Appendices.

Limited textile selection available. See application chart in appendices.

Dimensions



Curved Settee - Inside Curve



Curved Settee - Outside Curve

Specification Information

Step 1.

AL6C A

Step 2. Configuration

2000 inside curve A

3000 outside curve A

Prices for Steps 1-2.

AL6C2000	\$3502
AL6C3000	\$3502

Step 3. Leg Finish

EN ebony A + \$0

Step 4. Fabric

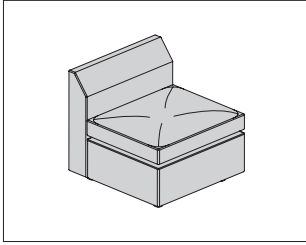
Price Category 1	+ \$0
Price Category 2	+ \$40
Price Category 3	+ \$76
Price Category (Geiger) 3	+ \$72
Price Category 4	+ \$174
Price Category (Geiger) 4	+ \$283
Price Category 5	+ \$297
Price Category (Geiger) 5	+ \$481
Price Category (Geiger) 6	+ \$679
Price Category 7	+ \$755
Price Category (Geiger) 7	+ \$526
Price Category 9	+ \$2379
Price Category (Geiger) 9	+ \$2379
Price Category 10	+ \$1089
Price Category 11	+ \$1269
Price Category 14	+ \$2770
Price Category D	+ \$0
Price Category G	+ \$947
Price Category H	+ \$1152
Price Category J	+ \$1556

Step 5. Fire Retardancy

NFR	not fire retardant <input type="checkbox"/> A	+ \$0
FR	fire retardant <input type="checkbox"/> A	+ \$300

Bevel Single Seat

AL6C0



Product Information

Description

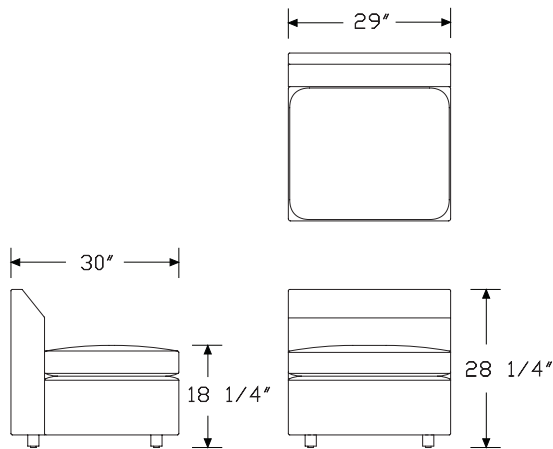
This single seat features wood frame construction, fire retardant free foam and down topper. Legs are wood in ebony finish. Ganging hardware included.

Notes

Customer's Own Material (COM) requires 5 yards. Customer's Own Leather (COL) requires 49 square feet. See Order Information in Appendices.

Limited textile selection available. See application chart in appendices.

Dimensions



Specification Information

Step 1.

AL6C A

Step 2. Configuration

0800 single seat A

Prices for Steps 1-2.

AL6C0800 \$2327

Step 3. Leg Finish

EN ebony A +\$0

Step 4. Fabric

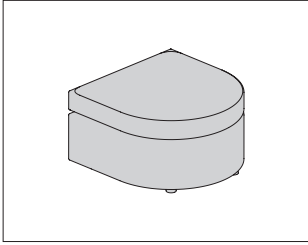
Price Category 1	+\$0
Price Category 2	+\$20
Price Category 3	+\$46
Price Category (Geiger) 3	+\$42
Price Category 4	+\$105
Price Category (Geiger) 4	+\$149
Price Category 5	+\$178
Price Category (Geiger) 5	+\$253
Price Category (Geiger) 6	+\$357
Price Category 7	+\$332
Price Category (Geiger) 7	+\$305
Price Category 9	+\$1479
Price Category (Geiger) 9	+\$1479
Price Category 10	+\$653
Price Category 11	+\$761
Price Category 14	+\$2155
Price Category D	+\$0
Price Category G	+\$663
Price Category H	+\$806
Price Category J	+\$1089

Step 5. Fire Retardancy

NFR not fire retardant <input type="checkbox"/> A	+\$0
FR fire retardant <input type="checkbox"/> A	+\$150

Bevel Rounded Ottoman

AL6C0



Product Information

Description

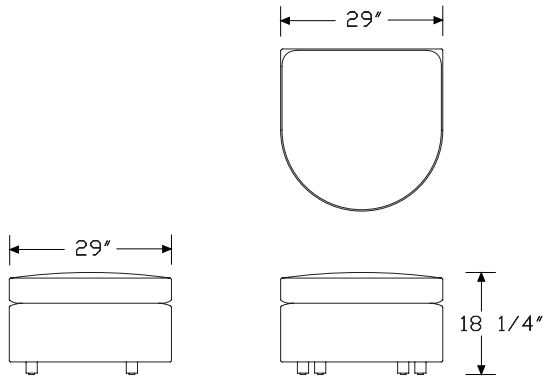
This rounded ottoman features wood frame construction, fire retardant free foam and down topper. Legs are wood in ebony finish. Connection hardware included.

Notes

Customer's Own Material (COM) requires 2½ yards. Customer's Own Leather (COL) requires 35 square feet. See Order Information in Appendices.

Limited textile selection available. See application chart in appendices.

Dimensions



Specification Information

Step 1.

AL6C A

Step 2. Configuration

0600 rounded ottoman A

Prices for Steps 1-2.

AL6C0600 \$2152

Step 3. Leg Finish

EN ebony A +\$0

Step 4. Fabric

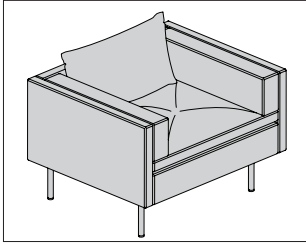
Price Category 1	+\$0
Price Category 2	+\$15
Price Category 3	+\$38
Price Category (Geiger) 3	+\$34
Price Category 4	+\$87
Price Category (Geiger) 4	+\$74
Price Category 5	+\$149
Price Category (Geiger) 5	+\$127
Price Category (Geiger) 6	+\$179
Price Category 7	+\$277
Price Category (Geiger) 7	+\$222
Price Category 9	+\$869
Price Category (Geiger) 9	+\$869
Price Category 10	+\$544
Price Category 11	+\$634
Price Category 14	+\$1239
Price Category D	+\$0
Price Category G	+\$474
Price Category H	+\$576
Price Category J	+\$778

Step 5. Fire Retardancy

NFR not fire retardant <input type="checkbox"/> A	+\$0
FR fire retardant <input type="checkbox"/> A	+\$100

Bolster Club Chair

AL1C1



Product Information

Description

This chair features wood frame construction, fire retardant free foam and down topper. Base finish is brushed stainless. Ganging hardware included.

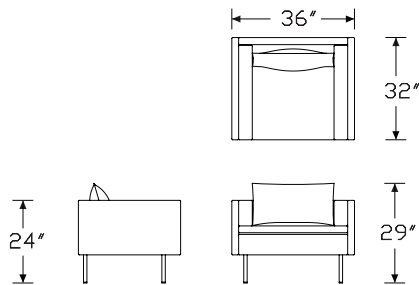
Notes

Handedness is determined from a seated position.

Customer's Own Material (COM) requires 8 yards. Customer's Own Leather (COL) requires 144 square feet. See Order Information in Appendices.

Limited textile selection available. See application chart in appendices.

Dimensions



Specification Information

Step 1.

AL1C A

Step 2. Configuration

1000 club chair A

Step 3. Upholstery Assignment

S single fabric A

Prices for Steps 1-3.

AL1C1000 S \$3226

Step 4. Leg Finish

BRS brushed stainless A +\$0

Step 5. Fabric

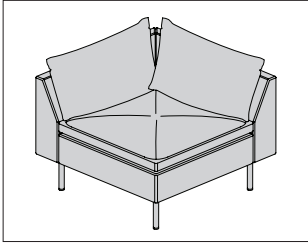
Price Category 1	+\$0
Price Category 2	+\$451
Price Category 3	+\$541
Price Category (Geiger) 3	+\$80
Price Category 4	+\$704
Price Category (Geiger) 4	+\$704
Price Category 5	+\$760
Price Category (Geiger) 5	+\$760
Price Category (Geiger) 6	+\$912
Price Category 7	+\$1186
Price Category (Geiger) 7	+\$554
Price Category 9	+\$2631
Price Category (Geiger) 9	+\$2631
Price Category 10	+\$1655
Price Category 11	+\$2926
Price Category 14	+\$2592
Price Category D	+\$0
Price Category G	+\$947
Price Category H	+\$1152
Price Category J	+\$1556

Step 6. Fire Retardancy

NFR not fire retardant <input type="checkbox"/> A	+\$0
FR fire retardant <input type="checkbox"/> A	+\$150

Bolster Corner

AL1C1



Product Information

Description

This corner features wood frame construction, fire retardant free foam and down topper. Base finish is brushed stainless. Ganging hardware included.

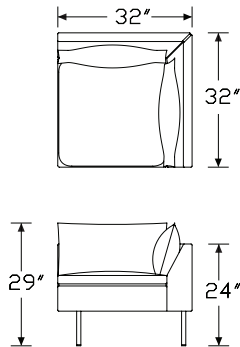
Notes

Handedness is determined from a seated position.

Customer's Own Material (COM) requires 8 yards. Customer's Own Leather (COL) requires 101 square feet. See Order Information in Appendices.

Limited textile selection available. See application chart in appendices.

Dimensions



HermanMiller Collection—Sofas

Specification Information

Step 1.

AL1C A

Step 2. Configuration

1005 corner A

Step 3. Upholstery Assignment

S single fabric A

Prices for Steps 1-3.

AL1C1005 S \$2833

Step 4. Leg Finish

BRS brushed stainless A +\$0

Step 5. Fabric

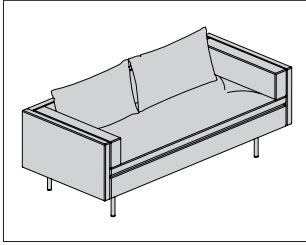
Price Category 1	+\$0
Price Category 2	+\$422
Price Category 3	+\$506
Price Category (Geiger) 3	+\$59
Price Category 4	+\$658
Price Category (Geiger) 4	+\$658
Price Category 5	+\$732
Price Category (Geiger) 5	+\$732
Price Category (Geiger) 6	+\$900
Price Category 7	+\$1142
Price Category (Geiger) 7	+\$421
Price Category 9	+\$1966
Price Category (Geiger) 9	+\$1966
Price Category 10	+\$1627
Price Category 11	+\$2185
Price Category 14	+\$2564
Price Category D	+\$0
Price Category G	+\$663
Price Category H	+\$806
Price Category J	+\$1089

Step 6. Fire Retardancy

NFR not fire retardant <input type="checkbox"/> A	+\$0
FR fire retardant <input type="checkbox"/> A	+\$150

Bolster Settee

AL1C1



Product Information

Description

This settee features wood frame construction, fire retardant free foam and down topper. It is available with or without arms or in left-arm or right-arm configuration. Base finish is brushed stainless. Ganging hardware included. Shipped on end.

Notes

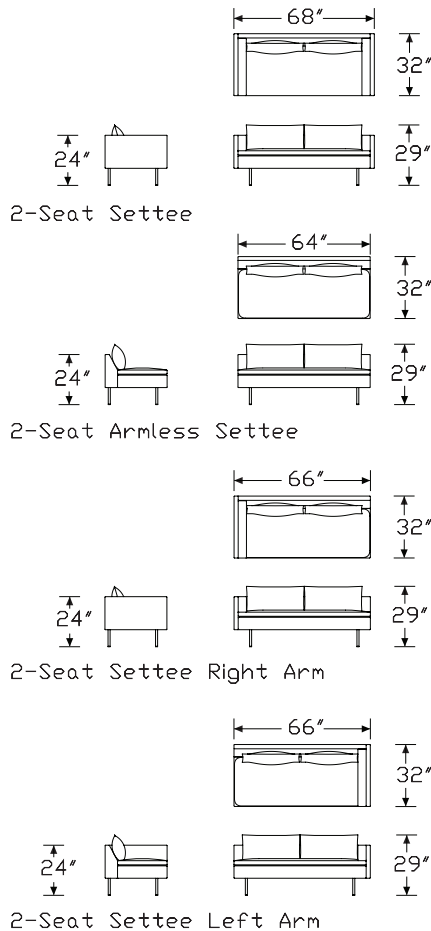
Handedness is determined from a seated position.

Fabric is railroaded.

Customer's Own Material (COM) requires 12 yards. Customer's Own Leather (COL) requires 140 square feet. See Order Information in Appendices.

Limited textile selection available. See application chart in appendices.

Dimensions



Specification Information

Step 1.

AL1C A

Step 2. Configuration

1002 2-seat settee A

1002A 2-seat armless settee A

1002R 2-seat settee right arm A

1002L 2-seat settee left arm A

Step 3. Upholstery Assignment

S single fabric A

Prices for Steps 1-3.

AL1C1002 S	\$4358
AL1C1002A S	\$3579
AL1C1002R S	\$3968
AL1C1002L S	\$3968

Step 4. Leg Finish

BRS brushed stainless A +\$0

Step 5. Fabric

Price Category 1	+\$0
Price Category 2	+\$657
Price Category 3	+\$788
Price Category (Geiger) 3	+\$84
Price Category 4	+\$1025
Price Category (Geiger) 4	+\$1025
Price Category 5	+\$1143
Price Category (Geiger) 5	+\$1143
Price Category (Geiger) 6	+\$1372
Price Category 7	+\$1783
Price Category (Geiger) 7	+\$609
Price Category 9	+\$3802
Price Category (Geiger) 9	+\$3802
Price Category 10	+\$2550
Price Category 11	+\$4233
Price Category 14	+\$4022
Price Category D	+\$0
Price Category G	+\$1421
Price Category H	+\$1727
Price Category J	+\$2333

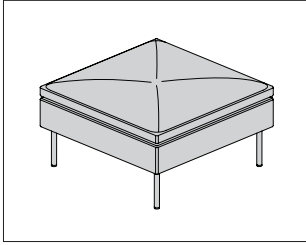
HermanMiller Collection-Sofas

Bolster Settee *continued*

Step 6. Fire Retardancy		
NFR	not fire retardant <input type="checkbox"/>	+\$0
FR	fire retardant <input type="checkbox"/>	+\$300

Bolster Ottoman

AL1C0



Product Information

Description

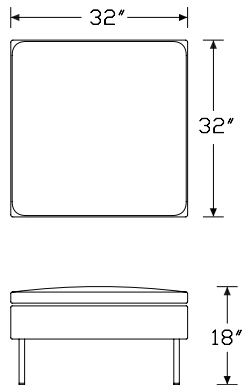
This ottoman features wood frame construction, fire retardant free foam and down topper. Base finish is brushed stainless. Ganging hardware included.

Notes

Customer's Own Material (COM) requires 4 yards. Customer's Own Leather (COL) requires 72 square feet. See Order Information in Appendices.

Limited textile selection available. See application chart in appendices.

Dimensions



Specification Information

Step 1.

AL1C A

Step 2. Configuration

0400 ottoman A

Prices for Steps 1-2.

AL1C0400 \$1957

Step 3. Leg Finish

BRS brushed stainless A +\$0

Step 4. Fabric

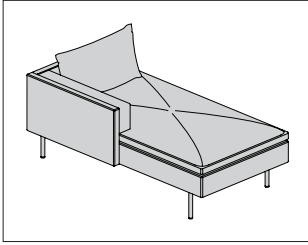
Price Category 1	+\$0
Price Category 2	+\$266
Price Category 3	+\$319
Price Category (Geiger) 3	+\$34
Price Category 4	+\$415
Price Category (Geiger) 4	+\$415
Price Category 5	+\$442
Price Category (Geiger) 5	+\$442
Price Category (Geiger) 6	+\$530
Price Category 7	+\$690
Price Category (Geiger) 7	+\$222
Price Category 9	+\$1029
Price Category (Geiger) 9	+\$1029
Price Category 10	+\$954
Price Category 11	+\$1142
Price Category 14	+\$1489
Price Category D	+\$0
Price Category G	+\$883
Price Category H	+\$1048
Price Category J	+\$1260

Step 5. Fire Retardancy

NFR not fire retardant <input type="checkbox"/> A	+\$0
FR fire retardant <input type="checkbox"/> A	+\$100

Bolster Chaise

AL1C1



Product Information

Description

This chaise features wood frame construction, fire retardant free foam and down topper. It is available in left-arm or right-arm configuration. Base finish is brushed stainless. Ganging hardware included.

Notes

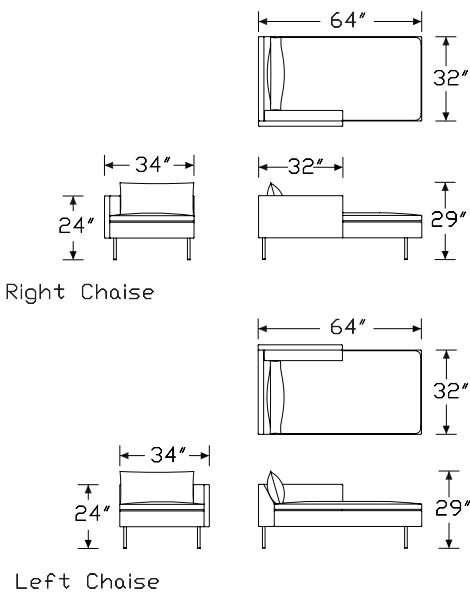
Handedness is determined from a seated position.

Fabric is railroaded.

Customer's Own Material (COM) requires 8 yards. Customer's Own Leather (COL) requires 144 square feet. See Order Information in Appendices.

Limited textile selection available. See application chart in appendices.

Dimensions



Specification Information

Step 1.

AL1C A

Step 2. Direction

1004L left chaise A

1004R right chaise A

Step 3. Upholstery Assignment

S single fabric A

Prices for Steps 1-3.

AL1C1004L S \$3735

AL1C1004R S \$3735

Step 4. Leg Finish

BRS brushed stainless A +\$0

Step 5. Fabric

Price Category 1	+\$0
Price Category 2	+\$550
Price Category 3	+\$660
Price Category (Geiger) 3	+\$88
Price Category 4	+\$858
Price Category (Geiger) 4	+\$858
Price Category 5	+\$947
Price Category (Geiger) 5	+\$947
Price Category (Geiger) 6	+\$1136
Price Category 7	+\$1477
Price Category (Geiger) 7	+\$637
Price Category 9	+\$2763
Price Category (Geiger) 9	+\$2763
Price Category 10	+\$2099
Price Category 11	+\$3072
Price Category 14	+\$3303
Price Category D	+\$0
Price Category G	+\$729
Price Category H	+\$947
Price Category J	+\$1354

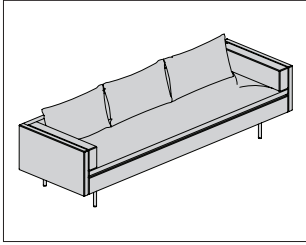
Step 6. Fire Retardancy

NFR not fire retardant A +\$0

FR fire retardant A +\$250

Bolster Sofa

AL1C1



Product Information

Description

This sofa features wood frame construction, fire retardant free foam and down topper. It is available with or without arms or in left-arm or right-arm configuration. Base finish is brushed stainless. Ganging hardware included.

Notes

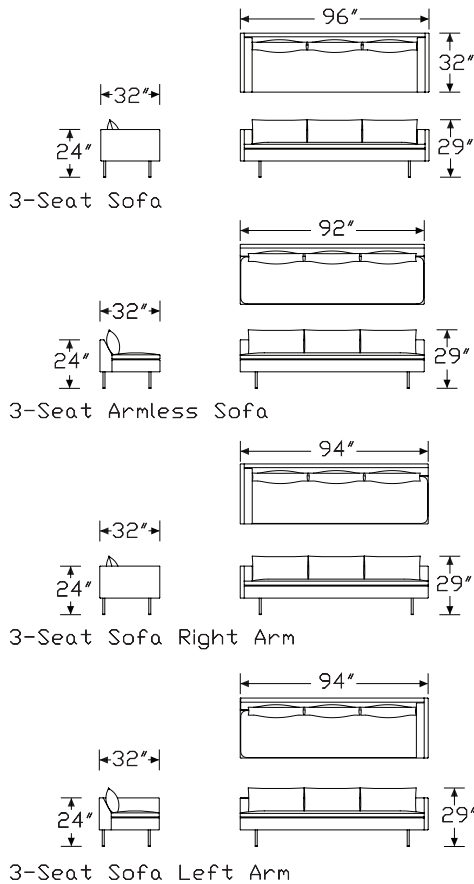
Handedness is determined from a seated position.

Fabric is railroaded.

Customer's Own Material (COM) requires 12 yards. Customer's Own Leather (COL) requires 215 square feet. See Order Information in Appendices.

Limited textile selection available. See application chart in appendices.

Dimensions



Specification Information

Step 1.

AL1C A

Step 2. Configuration

1003 3-seat sofa A

1003A 3-seat armless sofa A

1003R 3-seat sofa right arm A

1003L 3-seat sofa left arm A

Step 3. Upholstery Assignment

S single fabric A

Prices for Steps 1-3.

AL1C1003 S	\$5068
AL1C1003A S	\$4290
AL1C1003R S	\$4680
AL1C1003L S	\$4680

Step 4. Leg Finish

BRS brushed stainless A +\$0

Step 5. Fabric

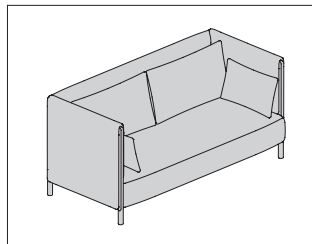
Price Category 1	+\$0
Price Category 2	+\$771
Price Category 3	+\$925
Price Category (Geiger) 3	+\$107
Price Category 4	+\$1203
Price Category (Geiger) 4	+\$1203
Price Category 5	+\$1345
Price Category (Geiger) 5	+\$1345
Price Category (Geiger) 6	+\$1672
Price Category 7	+\$2098
Price Category (Geiger) 7	+\$775
Price Category 9	+\$4810
Price Category (Geiger) 9	+\$4810
Price Category 10	+\$3008
Price Category 11	+\$5359
Price Category 14	+\$4748
Price Category D	+\$0
Price Category G	+\$1421
Price Category H	+\$1727
Price Category J	+\$2333

Bolster Sofa *continued*

Step 6. Fire Retardancy		
NFR	not fire retardant <input type="checkbox"/>	+\$0
FR	fire retardant <input type="checkbox"/>	+\$350

ColourForm Sofa, Not Quilted,
Single Textile

AJN10



Product Information

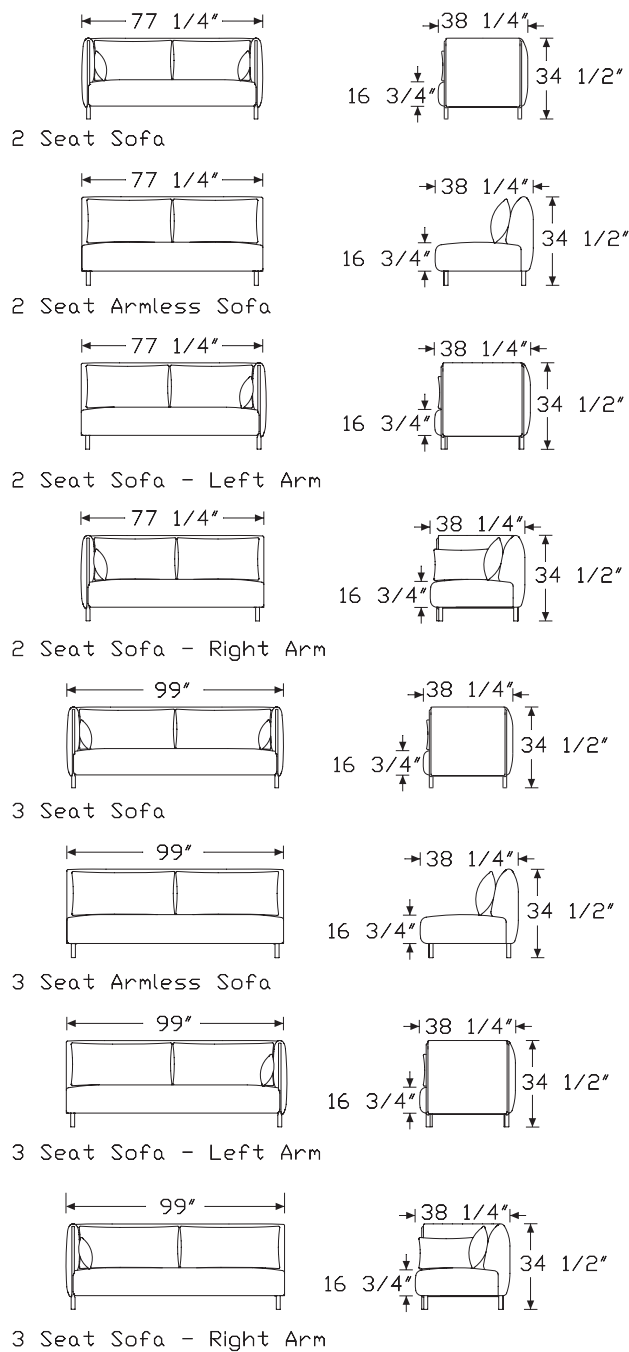
Description

This sofa has wooden frame construction with shaped foam and cover layers folded over the arm rest. Pillows are fiber filled for comfort. A plastic upholstery strip is stitched into the textile allowing the fabric to be stretched and pushed into place over the frame. Sofa is available with or without arms or in left-arm or right-arm configuration.

Notes

For modularity, order ganging kit (AJNG) separately.
Handedness is determined from seated position.
Limited textile selection available. See application chart in appendices.

Dimensions



HermanMiller Collection-Sofas

ColourForm Sofa, Not Quilted, Single Textile *continued*

Specification Information

Step 1.

AJN

Step 2. Configuration

1002 2-seat sofa

1002A 2-seat armless sofa

1002R 2-seat sofa right arm

1002L 2-seat sofa left arm

1003 3-seat sofa

1003A 3-seat armless sofa

1003R 3-seat sofa right arm

1003L 3-seat sofa left arm

Step 3. Upholstery Type

N not quilted, single textile

Prices for Steps 1-3.

AJN1002 N \$4719

AJN1002A N \$3029

AJN1002R N \$3903

AJN1002L N \$3903

AJN1003 N \$5086

AJN1003A N \$3529

AJN1003R N \$4364

AJN1003L N \$4364

Step 4. Outside/Inside Fabric

Price Category (Geiger) D +\$1286

Price Category 2 +\$90

Price Category (Geiger) 3 +\$192

Price Category 5 +\$720

Price Category (Geiger) 7 +\$1606

Price Category (Geiger) G +\$1489

Price Category (Geiger) H +\$2073

Price Category (Geiger) I +\$2267

Price Category (Geiger) J +\$3233

Step 5. Leg Finish

EN ebony +\$0

OU walnut +\$0

A2 white ash +\$0

SBA soft blue ash +\$0

SGA soft green ash +\$0

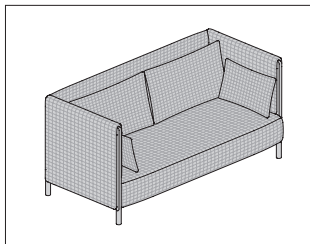
66A recograin frosty ash +\$0

Step 6. Fire Retardancy

NFR not fire retardant +\$0

FR fire retardant +\$900

ColourForm Sofa, Quilted, Single Textile AJN10



Product Information

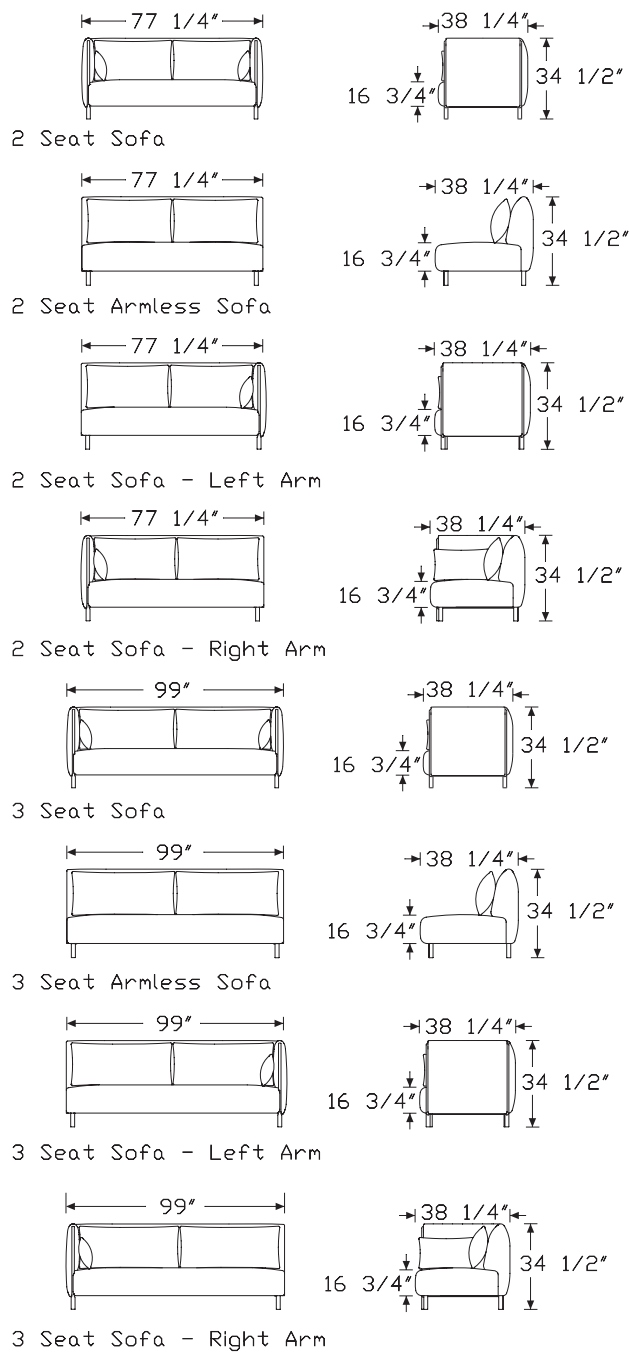
Description

This sofa has wooden frame construction with shaped foam and cover layers folded over the arm rest. Pillows are fiber filled for comfort. A plastic upholstery strip is stitched into the textile allowing the fabric to be stretched and pushed into place over the frame. Sofa is available with or without arms or in left-arm or right-arm configuration.

Notes

For modularity, order ganging kit (AJNG) separately.
 Handedness is determined from seated position.
 Limited textile selection available. See application chart in appendices.

Dimensions



ColourForm Sofa, Quilted, Single

Textile *continued*

Specification Information

Step 1.

AJN

Step 2. Configuration

- 1002** 2-seat sofa
- 1002A** 2-seat armless sofa
- 1002R** 2-seat sofa right arm
- 1002L** 2-seat sofa left arm
- 1003** 3-seat sofa
- 1003A** 3-seat armless sofa
- 1003R** 3-seat sofa right arm
- 1003L** 3-seat sofa left arm

Step 3. Upholstery Type

Q1 quilted, single textile (outside quilted, inside not quilted, same color, same fabric family)

Prices for Steps 1-3.

AJN1002 Q1	\$4719
AJN1002A Q1	\$3029
AJN1002R Q1	\$3903
AJN1002L Q1	\$3903
AJN1003 Q1	\$5086
AJN1003A Q1	\$3529
AJN1003R Q1	\$4364
AJN1003L Q1	\$4364

Step 4. Outside/Inside Fabric

Price Category (Geiger) 3	+\$1265
Price Category 5	+\$1792
Price Category (Geiger) G	+\$2562

Step 5. Leg Finish

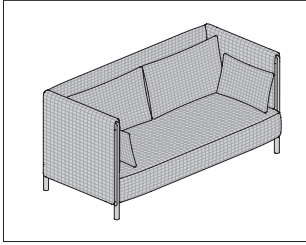
A2 white ash <input type="checkbox"/>	+\$0
EN ebony <input type="checkbox"/>	+\$0
OU walnut <input type="checkbox"/>	+\$0
SBA soft blue ash <input type="checkbox"/>	+\$0
SGA soft green ash <input type="checkbox"/>	+\$0
66A recograin frosty ash <input type="checkbox"/>	+\$0

Step 6. Fire Retardancy

NFR not fire retardant <input type="checkbox"/>	+\$0
FR fire retardant <input type="checkbox"/>	+\$900

ColourForm Sofa, Quilted, Two Textiles

AJN10



Product Information

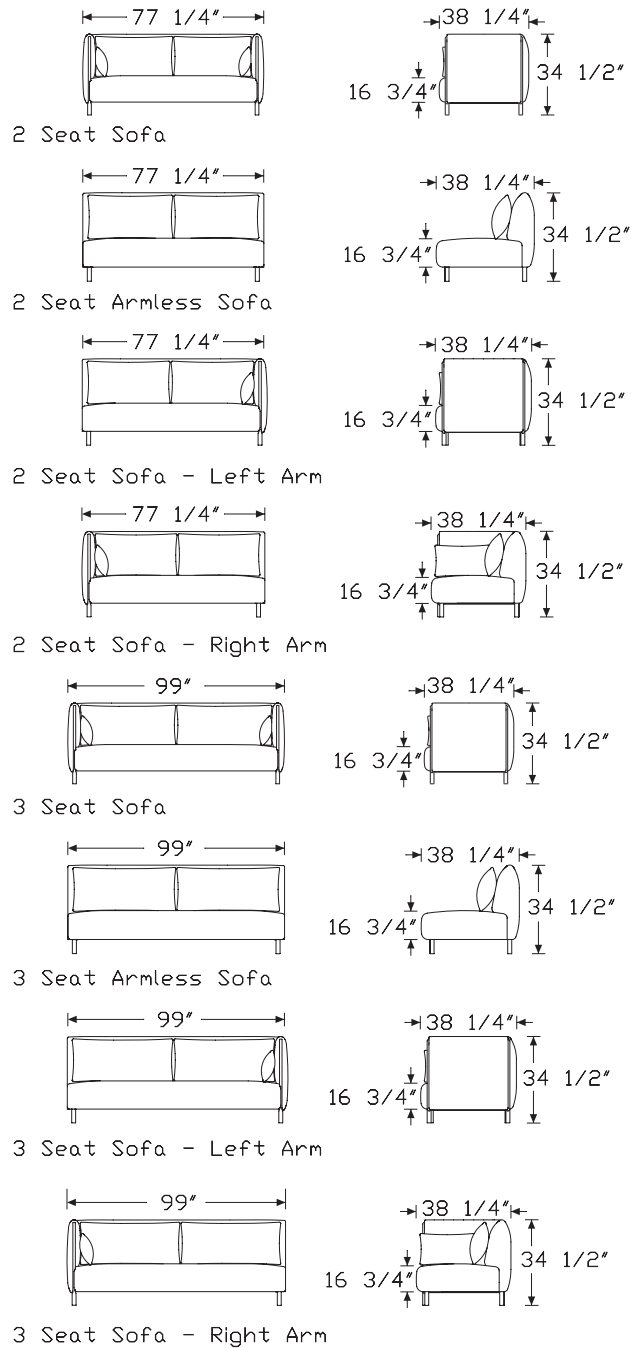
Description

This sofa has wooden frame construction with shaped foam and cover layers folded over the arm rest. Pillows are fiber filled for comfort. A plastic upholstery strip is stitched into the textile allowing the fabric to be stretched and pushed into place over the frame. Sofa is available with arms or in left-arm or right-arm configuration.

Notes

For modularity, order ganging kit (AJNG) separately.
 Handedness is determined from seated position.
 Limited textile selection available. See application chart in appendices.

Dimensions



ColourForm Sofa, Quilted, Two Textiles *continued*

Specification Information

Step 1.

AJN

Step 2. Configuration

1002 2-seat sofa

1002R 2-seat sofa right arm

1002L 2-seat sofa left arm

1003 3-seat sofa

1003R 3-seat sofa right arm

1003L 3-seat sofa left arm

Step 3. Upholstery Type

Q2 quilted, two textiles (outside quilted, inside quilted)

Prices for Steps 1-3.

AJN1002 Q2 \$4719

AJN1002R Q2 \$3903

AJN1002L Q2 \$3903

AJN1003 Q2 \$5086

AJN1003R Q2 \$4364

AJN1003L Q2 \$4364

Step 4. Outside Fabric

Price Category (Geiger) G +\$2562

Step 5. Inside Fabric

Price Category (Geiger) G +\$0

Step 6. Leg Finish

A2 white ash +\$0

EN ebony +\$0

OU walnut +\$0

SBA soft blue ash +\$0

SGA soft green ash +\$0

66A recograin frosty ash +\$0

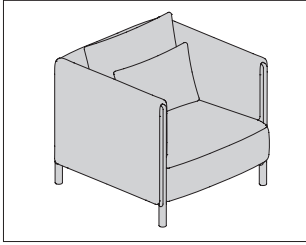
Step 7. Fire Retardancy

NFR not fire retardant +\$0

FR fire retardant +\$900

ColourForm Club Chair, Not Quilted, Single Textile

AJN10



Product Information

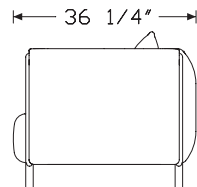
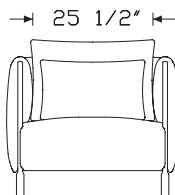
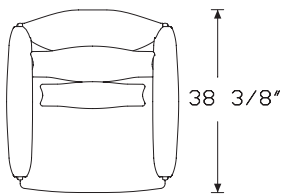
Description

This club chair has wooden frame construction with shaped foam and cover layers folded over the arm rest. Pillows are fiber filled for comfort. A plastic upholstery strip is stitched into the textile allowing the fabric to be stretched and pushed into place over the frame.

Notes

Handedness is determined from seated position.
 Limited textile selection available. See application chart in appendices.

Dimensions



Specification Information

Step 1.

AJN1000 [A]

Step 2. Upholstery Type

N not quilted, single textile [A]

Prices for Steps 1-2.

AJN1000 N \$3573

Step 3. Outside/Inside Fabric

Price Category (Geiger) D	+\$732
Price Category 2	+\$55
Price Category (Geiger) 3	+\$107
Price Category 5	+\$407
Price Category (Geiger) 7	+\$914
Price Category (Geiger) G	+\$847
Price Category (Geiger) H	+\$1179
Price Category (Geiger) I	+\$1289
Price Category (Geiger) J	+\$1839

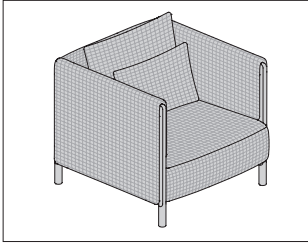
Step 4. Leg Finish

EN ebony [A]	+\$0
OU walnut [A]	+\$0
A2 white ash [A]	+\$0
SBA soft blue ash [A]	+\$0
SGA soft green ash [A]	+\$0
66A recograin frosty ash [A]	+\$0

Step 5. Fire Retardancy

NFR not fire retardant [A]	+\$0
FR fire retardant [A]	+\$495

ColourForm Club Chair, Quilted, Single Textile AJN10



Product Information

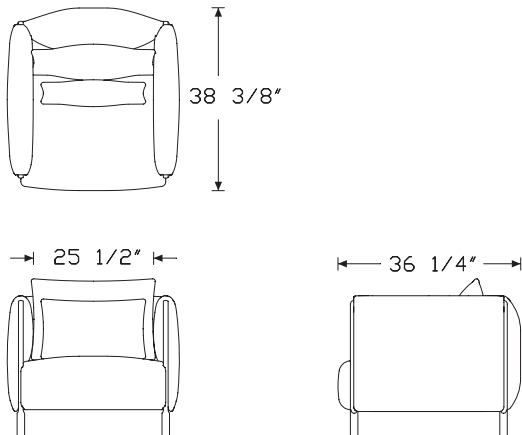
Description

This club chair has wooden frame construction with shaped foam and cover layers folded over the arm rest. Pillows are fiber filled for comfort. A plastic upholstery strip is stitched into the textile allowing the fabric to be stretched and pushed into place over the frame.

Notes

Handedness is determined from seated position.
 Limited textile selection available. See application chart in appendices.

Dimensions



HermanMiller Collection—Sofas

Specification Information

Step 1.

AJN1000 A

Step 2. Upholstery Type

Q1 quilted, single textile (outside quilted, inside not quilted, same color, same fabric family) A

Prices for Steps 1-2.

AJN1000 Q1 \$3573

Step 3. Outside/Inside Fabric

Price Category (Geiger) 3 +\$717
 Price Category 5 +\$1017
 Price Category (Geiger) G +\$1457

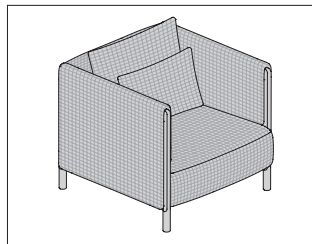
Step 4. Leg Finish

A2 white ash A +\$0
EN ebony A +\$0
OU walnut A +\$0
SBA soft blue ash A +\$0
SGA soft green ash A +\$0
66A recograin frosty ash A +\$0

Step 5. Fire Retardancy

NFR not fire retardant A +\$0
FR fire retardant A +\$495

ColourForm Club Chair, Quilted, Two Textiles AJN10



Product Information

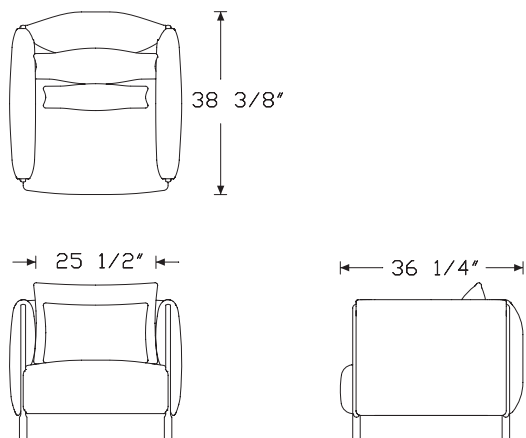
Description

This club chair has wooden frame construction with shaped foam and cover layers folded over the arm rest. Pillows are fiber filled for comfort. A plastic upholstery strip is stitched into the textile allowing the fabric to be stretched and pushed into place over the frame.

Notes

Handedness is determined from seated position.
 Limited textile selection available. See application chart in appendices.

Dimensions



Specification Information

Step 1.

AJN1000 [A]

Step 2. Upholstery Type

Q2 quilted, two textiles (outside quilted, inside quilted) [A]

Prices for Steps 1-2.

AJN1000 Q2 \$3573

Step 3. Outside Fabric

Price Category (Geiger) G +\$1457

Step 4. Inside Fabric

Price Category (Geiger) G +\$0

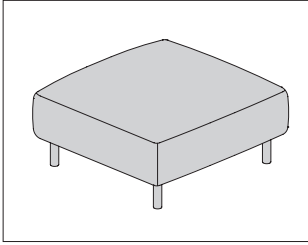
Step 5. Leg Finish

- A2** white ash [A] +\$0
- EN** ebony [A] +\$0
- OU** walnut [A] +\$0
- SBA** soft blue ash [A] +\$0
- SGA** soft green ash [A] +\$0
- 66A** recograin frosty ash [A] +\$0

Step 6. Fire Retardancy

- NFR** not fire retardant [A] +\$0
- FR** fire retardant [A] +\$495

ColourForm Ottoman, Not Quilted, Single Textile AJN04

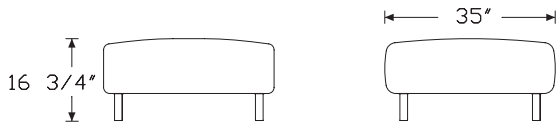


Product Information

Description

This ottoman has wooden frame construction with shaped foam and cover layers folded over the arm rest. Pillows are fiber filled for comfort. A plastic upholstery strip is stitched into the textile allowing the fabric to be stretched and pushed into place over the frame.

Dimensions



HermanMiller Collection—Sofas

Specification Information

Step 1.

AJN0400

Step 2. Upholstery Type

N not quilted, single textile

Prices for Steps 1-2.

AJN0400 N \$1147

Step 3. Ottoman Fabric

Price Category (Geiger) D	+\$155
Price Category 2	+\$15
Price Category (Geiger) 3	+\$25
Price Category 5	+\$85
Price Category (Geiger) 7	+\$194
Price Category (Geiger) G	+\$180
Price Category (Geiger) H	+\$251
Price Category (Geiger) I	+\$274
Price Category (Geiger) J	+\$390

Step 4. Leg Finish

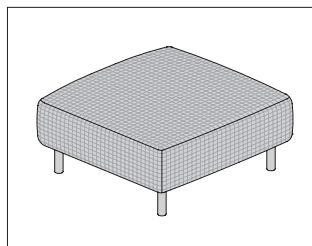
EN ebony <input type="checkbox"/>	+\$0
OU walnut <input type="checkbox"/>	+\$0
A2 white ash <input type="checkbox"/>	+\$0
SBA soft blue ash <input type="checkbox"/>	+\$0
SGA soft green ash <input type="checkbox"/>	+\$0
66A recograin frosty ash <input type="checkbox"/>	+\$0

Step 5. Fire Retardancy

NFR not fire retardant <input type="checkbox"/>	+\$0
FR fire retardant <input type="checkbox"/>	+\$150

ColourForm Ottoman, Quilted,
Single Textile

AJN04

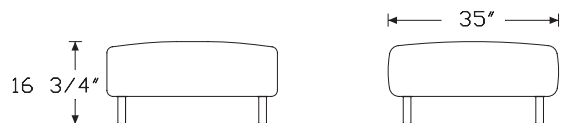


Product Information

Description

This ottoman has wooden frame construction with shaped foam and cover layers folded over the arm rest. Pillows are fiber filled for comfort. A plastic upholstery strip is stitched into the textile allowing the fabric to be stretched and pushed into place over the frame.

Dimensions



Specification Information

Step 1.

AJN0400 [A]

Step 2. Upholstery Type

Q1 quilted, single textile (outside quilted, inside not quilted, same color, same fabric family) [A]

Prices for Steps 1-2.

AJN0400 Q1 \$1147

Step 3. Ottoman Fabric

Price Category (Geiger) 3 +\$150
 Price Category 5 +\$214
 Price Category (Geiger) G +\$310

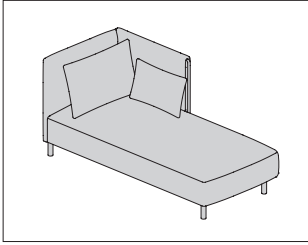
Step 4. Leg Finish

EN ebony [A] +\$0
OU walnut [A] +\$0
A2 white ash [A] +\$0
SBA soft blue ash [A] +\$0
SGA soft green ash [A] +\$0
66A recograin frosty ash [A] +\$0

Step 5. Fire Retardancy

NFR not fire retardant [A] +\$0
FR fire retardant [A] +\$150

ColourForm Chaise, Not Quilted, Single Textile AJN10



Product Information

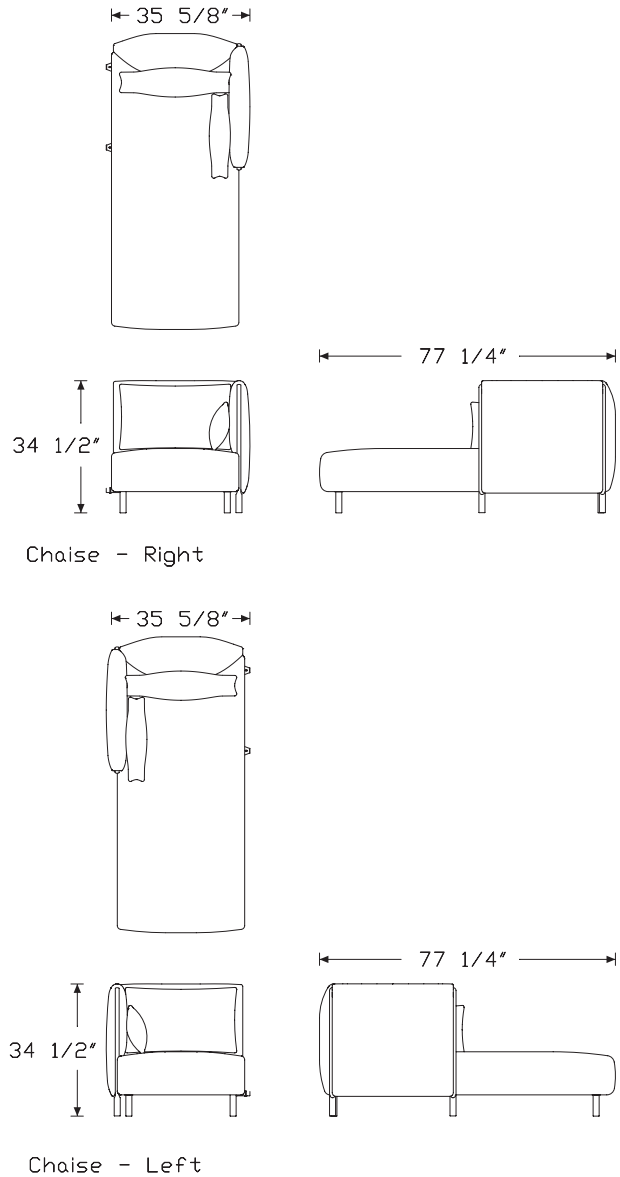
Description

This chaise has wooden frame construction with shaped foam and cover layers folded over the arm rest. Pillows are fiber filled for comfort. A plastic upholstery strip is stitched into the textile allowing the fabric to be stretched and pushed into place over the frame.

Notes

For modularity, order ganging kit (AJNG) separately.
 Handedness is determined from seated position.
 Limited textile selection available. See application chart in appendices.

Dimensions

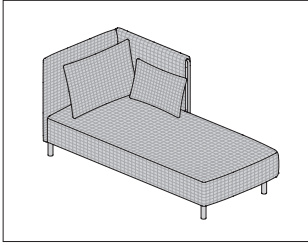


ColourForm Chaise, Not Quilted, Single Textile *continued*

Specification Information	
Step 1.	
AJN	<input type="checkbox"/> A
Step 2. Configuration	
1004R	right chaise <input type="checkbox"/> A
1004L	left chaise <input type="checkbox"/> A
Step 3. Upholstery Type	
N	not quilted, single textile <input type="checkbox"/> A
Prices for Steps 1-3.	
AJN1004R N	\$3643
AJN1004L N	\$3643
Step 4. Outside/Inside Fabric	
Price Category (Geiger) D	+\$842
Price Category 2	+\$60
Price Category (Geiger) 3	+\$125
Price Category 5	+\$828
Price Category (Geiger) 7	+\$1052
Price Category (Geiger) G	+\$976
Price Category (Geiger) H	+\$1358
Price Category (Geiger) I	+\$1485
Price Category (Geiger) J	+\$2118
Step 5. Leg Finish	
EN	ebony <input type="checkbox"/> A +\$0
OU	walnut <input type="checkbox"/> A +\$0
A2	white ash <input type="checkbox"/> A +\$0
SBA	soft blue ash <input type="checkbox"/> A +\$0
SGA	soft green ash <input type="checkbox"/> A +\$0
66A	recograin frosty ash <input type="checkbox"/> A +\$0
Step 6. Fire Retardancy	
NFR	not fire retardant <input type="checkbox"/> A +\$0
FR	fire retardant <input type="checkbox"/> A +\$570

ColourForm Chaise, Quilted,
Single Textile

AJN10



Product Information

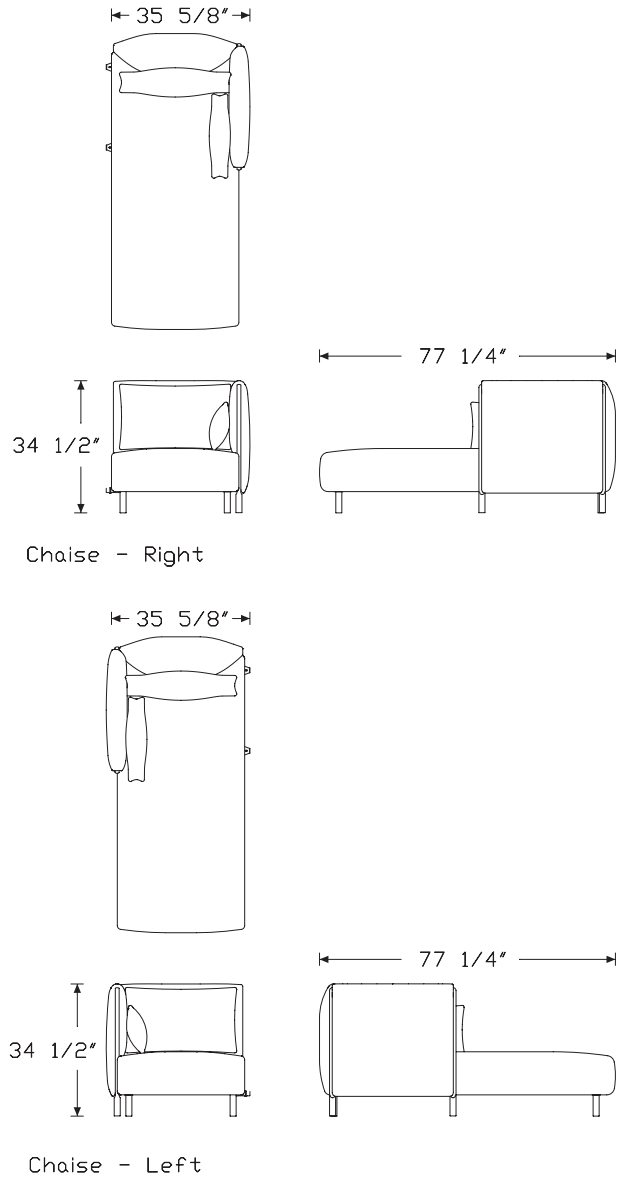
Description

This chaise has wooden frame construction with shaped foam and cover layers folded over the arm rest. Pillows are fiber filled for comfort. A plastic upholstery strip is stitched into the textile allowing the fabric to be stretched and pushed into place over the frame.

Notes

For modularity, order ganging kit (AJNG) separately.
Handedness is determined from seated position.
Limited textile selection available. See application chart in appendices.

Dimensions



ColourForm Chaise, Quilted, Single Textile *continued*

Specification Information

Step 1.

AJN

Step 2. Configuration

1004L left chaise

1004R right chaise

Step 3. Upholstery Type

Q1 quilted, single textile (outside quilted, inside not quilted, same color, same fabric family)

Prices for Steps 1-3.

AJN1004L Q1 \$3643

AJN1004R Q1 \$3643

Step 4. Outside/Inside Fabric

Price Category (Geiger) 3 +\$828

Price Category 5 +\$1173

Price Category (Geiger) G +\$1679

Step 5. Leg Finish

A2 white ash +\$0

EN ebony +\$0

OU walnut +\$0

SBA soft blue ash +\$0

SGA soft green ash +\$0

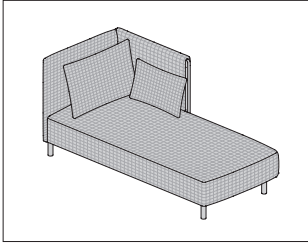
66A recograin frosty ash +\$0

Step 6. Fire Retardancy

NFR not fire retardant +\$0

FR fire retardant +\$570

ColourForm Chaise, Quilted, Two Textiles AJN10



Product Information

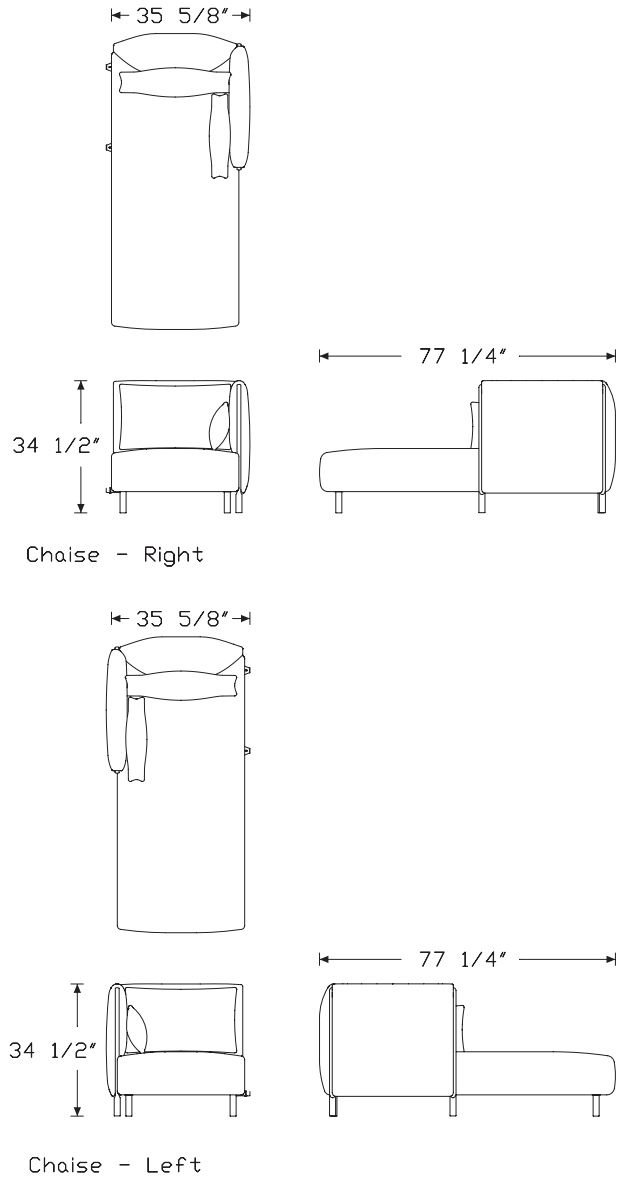
Description

This chaise has wooden frame construction with shaped foam and cover layers folded over the arm rest. Pillows are fiber filled for comfort. A plastic upholstery strip is stitched into the textile allowing the fabric to be stretched and pushed into place over the frame.

Notes

For modularity, order ganging kit (AJNG) separately.
 Handedness is determined from seated position.
 Limited textile selection available. See application chart in appendices.

Dimensions



ColourForm Chaise, Quilted, Two Textiles *continued*

Specification Information

Step 1.

AJN

Step 2. Configuration

1004R right chaise

1004L left chaise

Step 3. Upholstery Type

Q2 quilted, two textiles (outside quilted, inside quilted)

Prices for Steps 1-3.

AJN1004R Q2 \$3643

AJN1004L Q2 \$3643

Step 4. Outside Fabric

Price Category (Geiger) G +\$1679

Step 5. Inside Fabric

Price Category (Geiger) G +\$0

Step 6. Leg Finish

A2 white ash +\$0

EN ebony +\$0

OU walnut +\$0

SBA soft blue ash +\$0

SGA soft green ash +\$0

66A recograin frosty ash +\$0

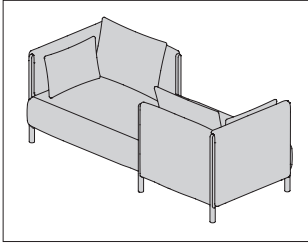
Step 7. Fire Retardancy

NFR not fire retardant +\$0

FR fire retardant +\$570

ColourForm Tete-a-Tete, Not Quilted, Single Textile

AJN10



Product Information

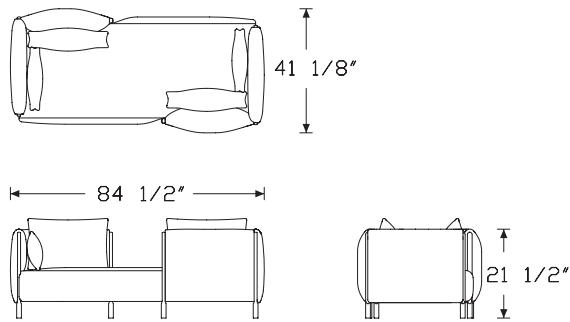
Description

This Tete-a-Tete has wooden frame construction with shaped foam and cover layers folded over the arm rest. Pillows are fiber filled for comfort. A plastic upholstery strip is stitched into the textile allowing the fabric to be stretched and pushed into place over the frame.

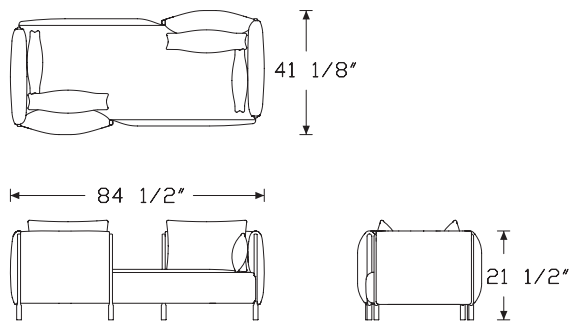
Notes

Handedness is determined from seated position.
 Limited textile selection available. See application chart in appendices.

Dimensions



Tete-a-tete Left



Tete-a-tete Right

HermanMiller Collection—Sofas

Specification Information

Step 1.

AJN A

Step 2. Configuration

1006R tete-a-tete right A

1006L tete-a-tete left A

Step 3. Upholstery Type

N not quilted, single textile A

Prices for Steps 1-3.

AJN1006R N \$4924

AJN1006L N \$4924

Step 4. Outside/Inside Fabric

Price Category (Geiger) D	+\$1197
Price Category 2	+\$84
Price Category (Geiger) 3	+\$177
Price Category 5	+\$667
Price Category (Geiger) 7	+\$1459
Price Category (Geiger) G	+\$1396
Price Category (Geiger) H	+\$1940
Price Category (Geiger) I	+\$2110
Price Category (Geiger) J	+\$3020

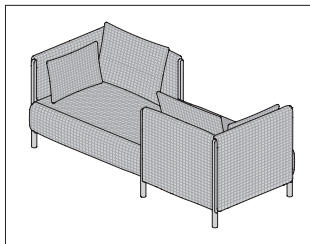
Step 5. Leg Finish

EN ebony <input type="checkbox"/> A	+\$0
OU walnut <input type="checkbox"/> A	+\$0
A2 white ash <input type="checkbox"/> A	+\$0
SBA soft blue ash <input type="checkbox"/> A	+\$0
SGA soft green ash <input type="checkbox"/> A	+\$0
66A recograin frosty ash <input type="checkbox"/> A	+\$0

Step 6. Fire Retardancy

NFR not fire retardant <input type="checkbox"/> A	+\$0
FR fire retardant <input type="checkbox"/> A	+\$810

ColourForm Tete-a-Tete, Quilted, Single Textile AJN10



Product Information

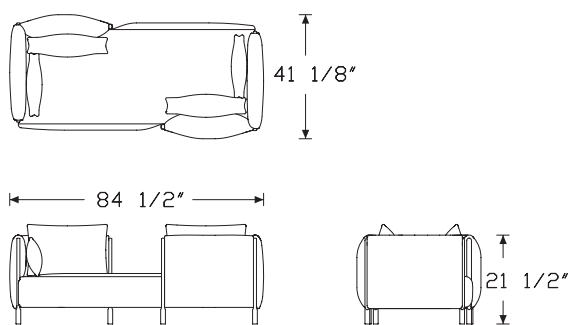
Description

This Tete-a-Tete has wooden frame construction with shaped foam and cover layers folded over the arm rest. Pillows are fiber filled for comfort. A plastic upholstery strip is stitched into the textile allowing the fabric to be stretched and pushed into place over the frame.

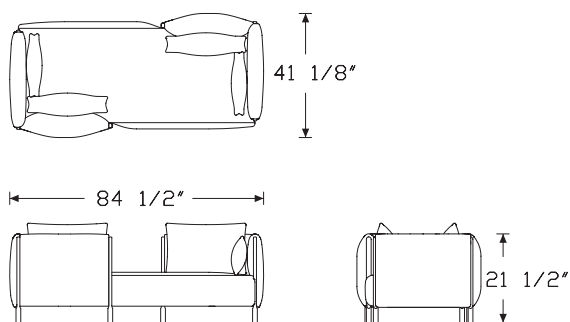
Notes

Handedness is determined from seated position.
 Limited textile selection available. See application chart in appendices.

Dimensions



Tete-a-tete Left



Tete-a-tete Right

Specification Information

Step 1.

AJN

Step 2. Configuration

1006R tete-a-tete right

1006L tete-a-tete left

Step 3. Upholstery Type

Q1 quilted, single textile (outside quilted, inside not quilted, same color, same fabric family)

Prices for Steps 1-3.

AJN1006R Q1 \$4924

AJN1006L Q1 \$4924

Step 4. Outside/Inside Fabric

Price Category (Geiger) 3 +\$1176

Price Category 5 +\$1666

Price Category (Geiger) G +\$2385

Step 5. Leg Finish

A2 white ash +\$0

EN ebony +\$0

OU walnut +\$0

SBA soft blue ash +\$0

SGA soft green ash +\$0

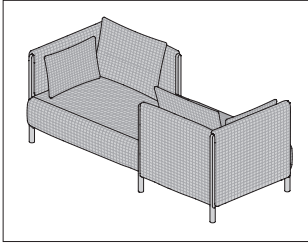
66A recograin frosty ash +\$0

Step 6. Fire Retardancy

NFR not fire retardant +\$0

FR fire retardant +\$810

ColourForm Tete-a-Tete, Quilted, Two Textiles AJN10



Product Information

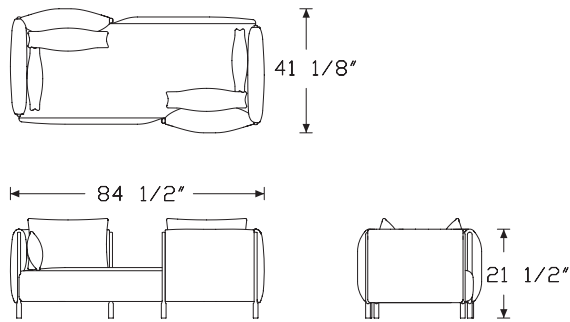
Description

This Tete-a-Tete has wooden frame construction with shaped foam and cover layers folded over the arm rest. Pillows are fiber filled for comfort. A plastic upholstery strip is stitched into the textile allowing the fabric to be stretched and pushed into place over the frame.

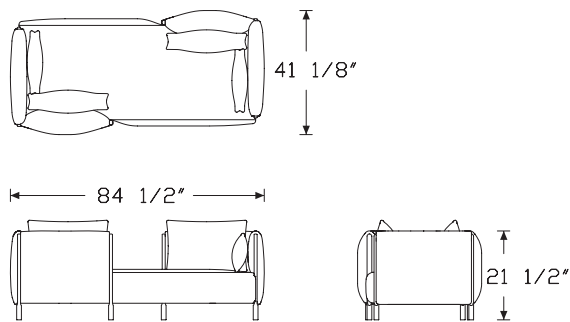
Notes

Handedness is determined from seated position.
 Limited textile selection available. See application chart in appendices.

Dimensions



Tete-a-tete Left



Tete-a-tete Right

Specification Information

Step 1.

AJN A

Step 2. Configuration

1006R tete-a-tete right A

1006L tete-a-tete left A

Step 3. Upholstery Type

Q2 quilted, two textiles (outside quilted, inside quilted) A

Prices for Steps 1-3.

AJN1006R Q2 \$4924

AJN1006L Q2 \$4924

Step 4. Outside Fabric

Price Category (Geiger) G +\$2385

Step 5. Inside Fabric

Price Category (Geiger) G +\$0

Step 6. Leg Finish

A2 white ash A +\$0

EN ebony A +\$0

OU walnut A +\$0

SBA soft blue ash A +\$0

SGA soft green ash A +\$0

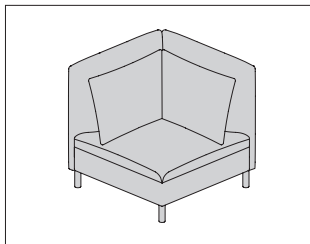
66A recograin frosty ash A +\$0

Step 7. Fire Retardancy

NFR not fire retardant A +\$0

FR fire retardant A +\$810

ColourForm Corner, Not Quilted, Single Textile AJN10



Product Information

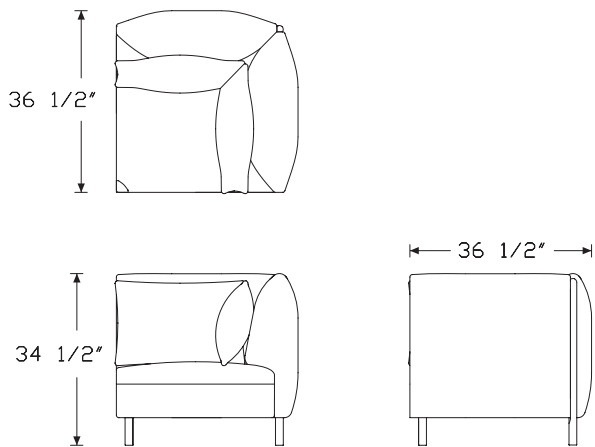
Description

This corner seat has wooden frame construction with shaped foam and cover layers folded over the arm rest. Pillows are fiber filled for comfort. A plastic upholstery strip is stitched into the textile allowing the fabric to be stretched and pushed into place over the frame.

Notes

For modularity, order ganging kit (AJNG) separately.
 Handedness is determined from seated position.
 Limited textile selection available. See application chart in appendices.

Dimensions



Specification Information

Step 1.

AJN1005 [A]

Step 2. Upholstery Type

N not quilted, single textile [A]

Prices for Steps 1-2.

AJN1005 N \$2879

Step 3. Outside/Inside Fabric

Price Category (Geiger) D	+\$754
Price Category 2	+\$55
Price Category (Geiger) 3	+\$113
Price Category 5	+\$422
Price Category (Geiger) 7	+\$941
Price Category (Geiger) G	+\$873
Price Category (Geiger) H	+\$1215
Price Category (Geiger) I	+\$1329
Price Category (Geiger) J	+\$1729

Step 4. Leg Finish

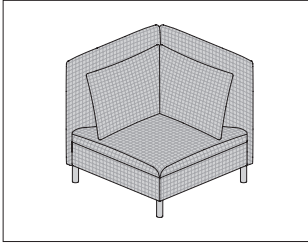
EN ebony [A]	+\$0
OU walnut [A]	+\$0
A2 white ash [A]	+\$0
SBA soft blue ash [A]	+\$0
SGA soft green ash [A]	+\$0
66A recograin frosty ash [A]	+\$0

Step 5. Fire Retardancy

NFR not fire retardant [A]	+\$0
FR fire retardant [A]	+\$510

ColourForm Corner, Quilted,
Single Textile

AJN10



Product Information

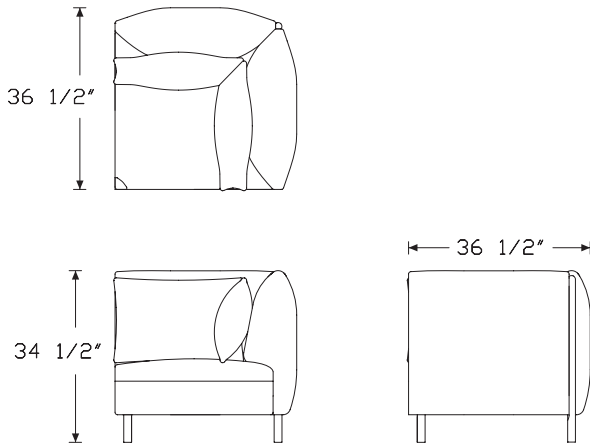
Description

This corner seat has wooden frame construction with shaped foam and cover layers folded over the arm rest. Pillows are fiber filled for comfort. A plastic upholstery strip is stitched into the textile allowing the fabric to be stretched and pushed into place over the frame.

Notes

For modularity, order ganging kit (AJNG) separately.
Handedness is determined from seated position.
Limited textile selection available. See application chart in appendices.

Dimensions



HermanMiller Collection—Sofas

Specification Information

Step 1.

AJN1005 [A]

Step 2. Upholstery Type

Q1 quilted, single textile (outside quilted, inside not quilted, same color, same fabric family) [A]

Prices for Steps 1-2.

AJN1005 Q1 \$2879

Step 3. Outside/Inside Fabric

Price Category (Geiger) 3 +\$742
Price Category 5 +\$1051
Price Category (Geiger) G +\$1502

Step 4. Leg Finish

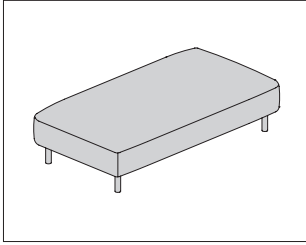
A2 white ash [A] +\$0
EN ebony [A] +\$0
OU walnut [A] +\$0
SBA soft blue ash [A] +\$0
SGA soft green ash [A] +\$0
66A recograin frosty ash [A] +\$0

Step 5. Fire Retardancy

NFR not fire retardant [A] +\$0
FR fire retardant [A] +\$510

ColourForm Bench, Not Quilted,
Single Textile

AJN2B
AJN3B

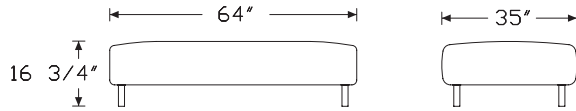


Product Information

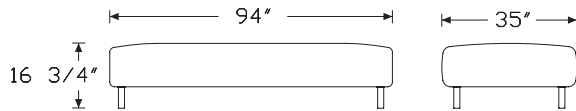
Description

This bench has wooden frame construction with shaped foam and cover layers folded over the arm rest. Pillows are fiber filled for comfort. A plastic upholstery strip is stitched into the textile allowing the fabric to be stretched and pushed into place over the frame.

Dimensions



2 Seat Bench



3 Seat Bench

Specification Information

Step 1.

AJN A

Step 2. Configuration

2B 2 seat bench A

3B 3 seat bench A

Step 3. Upholstery Type

N not quilted, single textile A

Prices for Steps 1-3.

AJN2B N \$2208

AJN3B N \$2225

Step 4. Bench Fabric

Price Category 2	+\$35
Price Category 5	+\$260
Price Category (Geiger) 3	+\$70
Price Category (Geiger) 7	+\$581
Price Category (Geiger) G	+\$539
Price Category (Geiger) H	+\$750
Price Category (Geiger) I	+\$820
Price Category (Geiger) J	+\$1170
Price Category (Geiger) D	+\$466

Step 5. Leg Finish

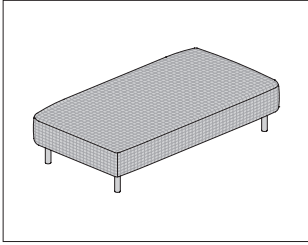
A2 white ash <input type="checkbox"/> A	+\$0
EN ebony <input type="checkbox"/> A	+\$0
OU walnut <input type="checkbox"/> A	+\$0
SBA soft blue ash <input type="checkbox"/> A	+\$0
SGA soft green ash <input type="checkbox"/> A	+\$0
66A recograin frosty ash <input type="checkbox"/> A	+\$0

Step 6. Fire Retardancy

NFR not fire retardant <input type="checkbox"/> A	+\$0
FR fire retardant <input type="checkbox"/> A	+\$360

ColourForm Bench, Quilted,
Single Textile

AJN2B
AJN3B

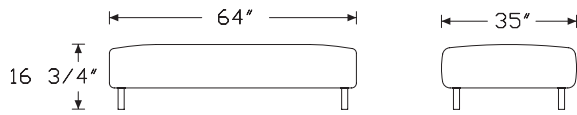


Product Information

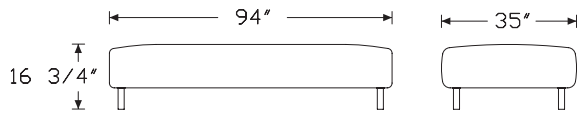
Description

This bench has wooden frame construction with shaped foam and cover layers folded over the arm rest. Pillows are fiber filled for comfort. A plastic upholstery strip is stitched into the textile allowing the fabric to be stretched and pushed into place over the frame.

Dimensions



2 Seat Bench



3 Seat Bench

HermanMiller Collection—Sofas

Specification Information

Step 1.

AJN A

Step 2. Configuration

2B 2 seat bench A

3B 3 seat bench A

Step 3. Upholstery Type

Q1 quilted, single textile (outside quilted, inside not quilted, same color, same fabric family) A

Prices for Steps 1-3.

AJN2B Q1 \$2208

AJN3B Q1 \$2225

Step 4. Bench Fabric

Price Category (Geiger) 3 +\$458

Price Category 5 +\$649

Price Category (Geiger) G +\$927

Step 5. Leg Finish

A2 white ash A +\$0

EN ebony A +\$0

OU walnut A +\$0

SBA soft blue ash A +\$0

SGA soft green ash A +\$0

66A recograin frosty ash A +\$0

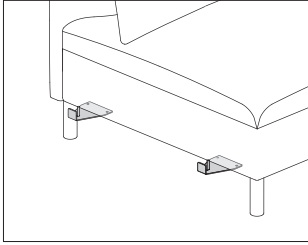
Step 6. Fire Retardancy

NFR not fire retardant A +\$0

FR fire retardant A +\$360

ColourForm Ganging Kit

AJNG

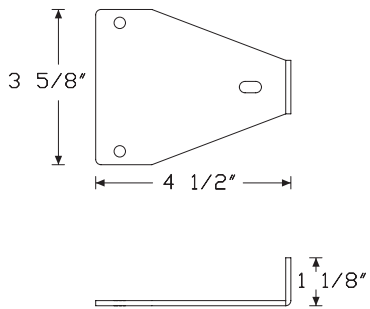


Product Information

Description

This ganging kit is required for modularity as noted on product pages.

Dimensions



Specification Information

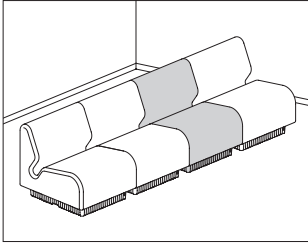
Step 1.

AJNG A

\$75

Chadwick Module

CM101
CM102
CM103
CM105
CM106



Product Information

Description

This fully upholstered foam module has a black molded base.

Modules link together in any combination with loop connectors. 2 loop connectors are included with each module. Power components are sold separately.

Notes

When specifying power components, fire retardant (FR) module must be specified.

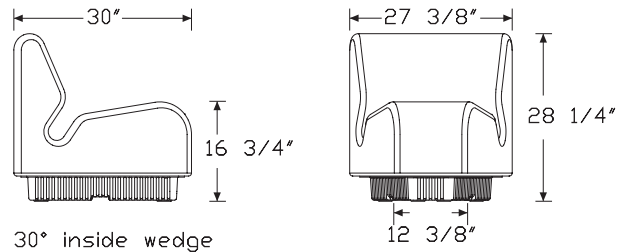
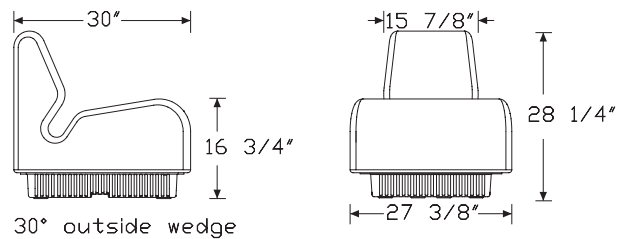
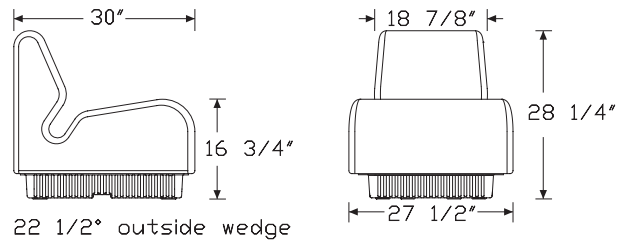
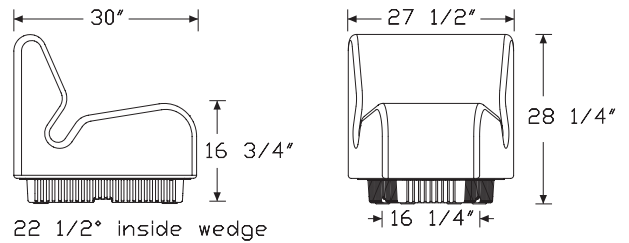
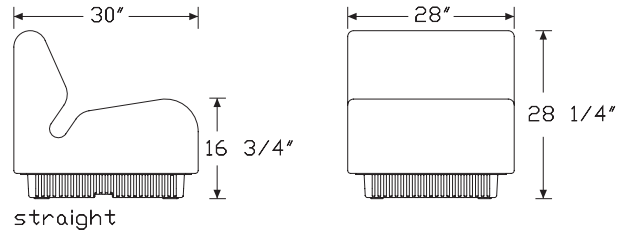
Order base covers (CM104N) separately.

Customer's Own Material (COM) requires 4 yards for nonrepeating fabric. See Order Information in Appendices. For more information, contact COM Department.

Fabrics with a repeat that must be matched, or that are less than 54" wide, require additional yardage. Use the following chart to determine COM yardage requirements. For fabric with both horizontal and vertical repeats, add the horizontal and vertical repeat inches together. Use the total number of repeat inches to determine the additional fabric needed.

Fabric	Plain	2"-10"	11"-20"	21"-25"	26"-30"
Width	Fabric	Repeat	Repeat	Repeat	Repeat
54"	0%	10%	15%	20%	25%
51"-53"	15%	20%	25%	30%	35%
48"-50"	30%	35%	40%	45%	50%
45"-47"	45%	50%	55%	60%	65%
36"-44"	60%	65%	70%	75%	80%

Dimensions



Specification Information

Step 1.

CM10 A

Step 2. Shape

- 1N** straight A
- 2N** 22½° inside wedge A
- 3N** 22½° outside wedge A
- 5N** 30° outside wedge A
- 6N** 30° inside wedge A

Step 3. Fire Retardancy

- NFR** not fire retardant A
- FR** fire retardant A

Prices for Steps 1-3.

CM101N	NFR	\$1494
	FR	\$1844
CM102N	NFR	\$1442
	FR	\$1792
CM103N	NFR	\$1442
	FR	\$1792
CM105N	NFR	\$1442
	FR	\$1792
CM106N	NFR	\$1442
	FR	\$1792

Step 4. Fabric

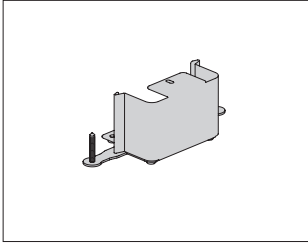
See application chart and textiles list for fabric usage and numbers.
 First 2 digits of number indicate fabric line; remaining digit(s) indicate fabric color.

For not fire retardant (NFR)

Price Category 1	+\$115
Price Category 5	+\$225
Price Category (Geiger) 7	+\$475
Price Category C	+\$145
Price Category G	+\$492
Price Category H	+\$609

For fire retardant (FR)

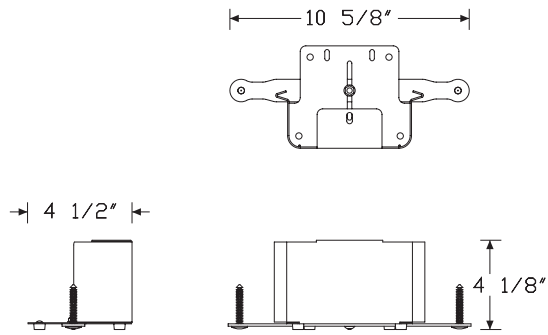
Price Category 1	+\$115
Price Category 5	+\$225



Product Information

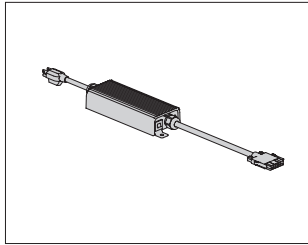
Description
This base cover kit fills the gap at the base between 2 Chadwick modules. Package contains 2 steel covers to accommodate the front and back sides of the modules.

Dimensions



Specification Information

Step 1.
CM104N A \$129



Product Information

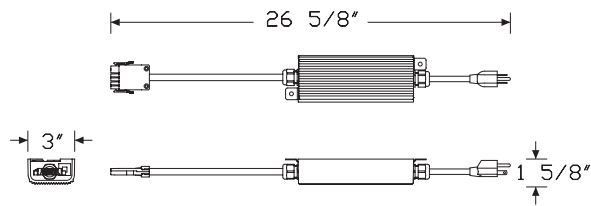
Description

This power entry connects a building's electrical supply from a wall, floor, or column to a Chadwick power receptacle kit. Entry can accommodate up to 8 duplex receptacles or 40' of cable length. Fire retardant Chadwick modules must be specified to be UL compliant. Power entry is UL listed.

Notes

Order power receptacle kit (CM108N) separately.

Dimensions



Specification Information

Step 1.

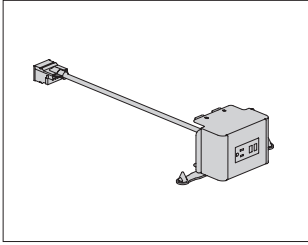
CM107N [A] \$351

Step 2. Cord Length

A	6' [A]	+\$0
B	10' [A]	+\$15
C	15' [A]	+\$40
D	25' [A]	+\$100

Chadwick Receptacle Kit

CM108

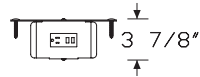
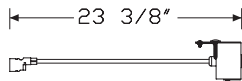
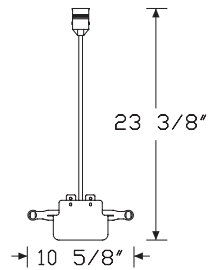


Product Information

Description

This receptacle kit attaches between 2 Chadwick module bases and has a 110-volt receptacle and 2 USB ports. It includes a base cover for the back of the base. Faceplate may be mounted flush with the base or slightly proud of the base. Fire retardant Chadwick modules must be specified to be UL compliant. Receptacle kit is UL listed.

Dimensions

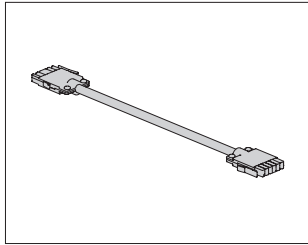


Specification Information

Step 1.

CM108N A \$315

HermanMiller Collection—Sofas



Product Information

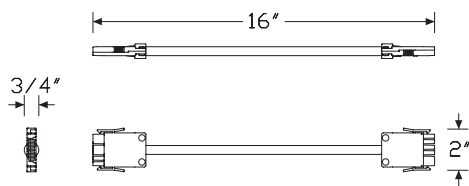
Description

This power jumper connects power between 2 receptacle kits. Fire retardant Chadwick modules must be specified to be UL compliant. Jumper is UL listed.

Notes

Order power entry (CM107N) and receptacle kit (CM108N) separately.

Dimensions



Specification Information

Step 1.

CM109N [A]

Step 2. Length

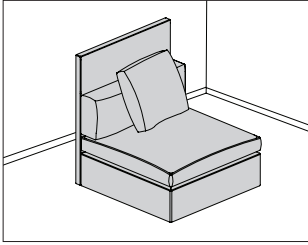
- A** 30" [A]
- B** 47" [A]
- C** 75" [A]
- D** 103" [A]

Prices for Steps 1-2.

CM109N A	\$78
B	\$88
C	\$98
D	\$109

Module Lounge Seating with Privacy Back Single Seat

AL2C5



Product Information

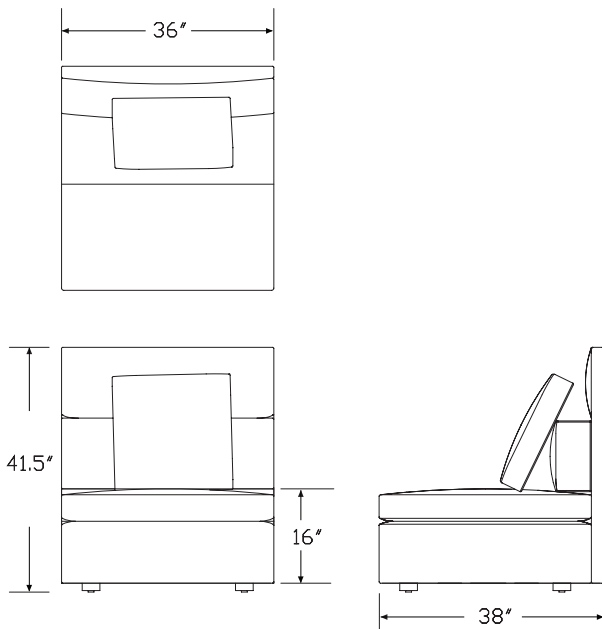
Description

This single seat with an upholstered back privacy partition has an attached seat cushion and loose back, side, and throw cushions. Adjustable glides and ganging hardware included.

Notes

Handedness is determined from a seated position.
 Customer's Own Material (COM) requires 6 yards. Customer's Own Leather (COL) requires 119 square feet. See Order Information in Appendices.
 Limited textile selection available. See application chart in appendices.

Dimensions



HermanMiller Collection—Sofas

Specification Information

Step 1.

AL2C A

Step 2. Configuration

500A armless A

Step 3. Upholstery Assignment

S single fabric A

Prices for Steps 1-3.

AL2C500A S \$3636

Step 4. Leg Finish

EN ebony A +\$0

Step 5. Fabric

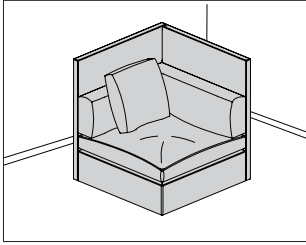
Price Category 1	+\$0
Price Category 2	+\$163
Price Category 3	+\$91
Price Category (Geiger) 3	+\$103
Price Category 4	+\$209
Price Category (Geiger) 4	+\$179
Price Category 5	+\$357
Price Category (Geiger) 5	+\$304
Price Category (Geiger) 6	+\$429
Price Category 7	+\$665
Price Category (Geiger) 7	+\$737
Price Category 9	+\$1019
Price Category (Geiger) 9	+\$1019
Price Category 10	+\$1306
Price Category 11	+\$1522
Price Category 14	+\$1897
Price Category D	+\$0
Price Category G	+\$602
Price Category H	+\$327
Price Category J	+\$130

Step 6. Fire Retardancy

NFR not fire retardant <input type="checkbox"/> A	+\$0
FR fire retardant <input type="checkbox"/> A	+\$400

Module Lounge Seating with Privacy Back Corner

AL2C7



Product Information

Description

This corner with an upholstered back privacy partition has an attached seat cushion, and loose back, side, and throw cushions. Adjustable glides and ganging hardware included.

Notes

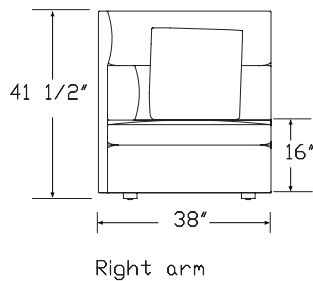
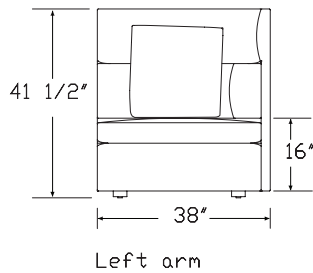
Handedness is determined from a seated position.

Corner piece can be used as end piece.

Customer's Own Material (COM) requires 8 yards. Customer's Own Leather (COL) requires 160 square feet. See Order Information in Appendices.

Limited textile selection available. See application chart in appendices.

Dimensions



Specification Information

Step 1.

AL2C A

Step 2. Configuration

700R right arm corner A

700L left arm corner A

Step 3. Upholstery Assignment

S single fabric A

Prices for Steps 1-3.

AL2C700R S \$3900

AL2C700L S \$3900

Step 4. Leg Finish

EN ebony A +\$0

Step 5. Fabric

Price Category 1	+\$0
Price Category 2	+\$213
Price Category 3	+\$122
Price Category (Geiger) 3	+\$136
Price Category 4	+\$279
Price Category (Geiger) 4	+\$238
Price Category 5	+\$475
Price Category (Geiger) 5	+\$405
Price Category (Geiger) 6	+\$571
Price Category 7	+\$886
Price Category (Geiger) 7	+\$997
Price Category 9	+\$1333
Price Category (Geiger) 9	+\$1333
Price Category 10	+\$1742
Price Category 11	+\$2030
Price Category 14	+\$2481
Price Category D	+\$0
Price Category G	+\$1159
Price Category H	+\$1408
Price Category J	+\$1913

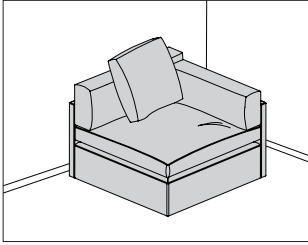
Step 6. Fire Retardancy

NFR not fire retardant A +\$0

FR fire retardant A +\$500

Module Lounge Seating Single
Seat

AL2C1
AL2C2



Product Information

Description

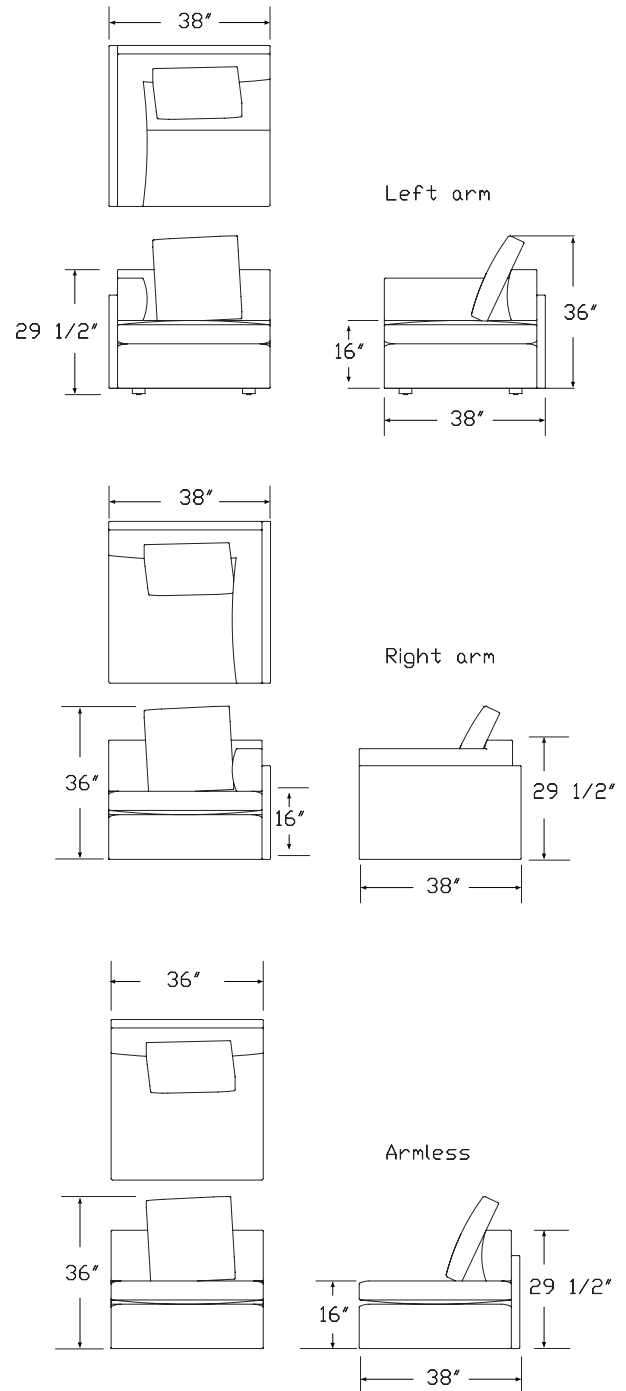
This single seat has an attached seat cushion and loose back, side and throw cushions. Adjustable glides and ganging hardware included.

Notes

Handedness is determined from a seated position.

Customer's Own Material (COM) requires 5 yards for armless, or 7½ yards for right arm and left arm configurations. Customer's Own Leather (COL) requires 90 square feet for armless, or 130 square feet for right arm and left arm configurations. See Order Information in Appendices. Limited textile selection available. See application chart in appendices.

Dimensions



Module Lounge Seating Single Seat *continued*

Specification Information

Step 1.

AL2C A

Step 2. Configuration

2000 armless A

100R right arm A

100L left arm A

Step 3. Upholstery Assignment

S single fabric A

Prices for Steps 1-3.

AL2C2000 S \$3333

AL2C100R S \$3939

AL2C100L S \$3939

Step 4. Leg Finish

EN ebony A +\$0

Step 5. Fabric

Price Category 1 +\$0

Price Category 2 +\$90

Price Category 3 +\$114

Price Category (Geiger) 3 +\$76

Price Category 4 +\$262

Price Category (Geiger) 4 +\$194

Price Category 5 +\$297

Price Category (Geiger) 5 +\$329

Price Category (Geiger) 6 +\$464

Price Category 7 +\$554

Price Category (Geiger) 7 +\$554

Price Category 9 +\$1176

Price Category (Geiger) 9 +\$1176

Price Category 10 +\$1633

Price Category 11 +\$1903

Price Category 14 +\$2189

Price Category D +\$0

Price Category G +\$842

Price Category H +\$1051

Price Category J +\$1621

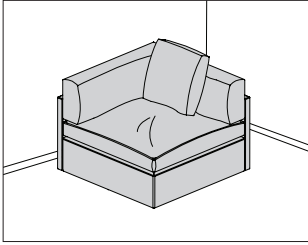
Step 6. Fire Retardancy

NFR not fire retardant A +\$0

FR fire retardant A +\$400

Module Lounge Seating Corner

AL2C3



Product Information

Description

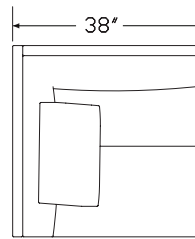
This corner has an attached seat cushion and loose back, side, and throw cushions. Adjustable glides and ganging hardware included.

Notes

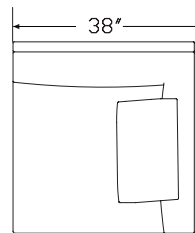
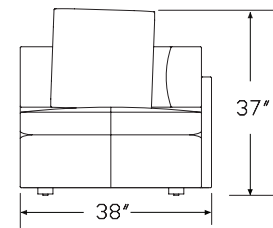
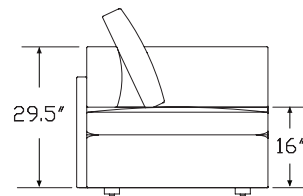
Customer's Own Material (COM) requires 7½ yards. Customer's Own Leather (COL) requires 130 square feet. See Order Information in Appendices.

Limited textile selection available. See application chart in appendices.

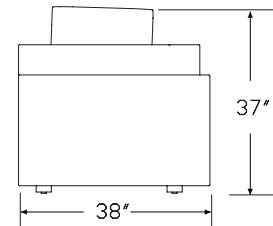
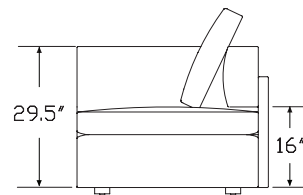
Dimensions



Left arm



Right arm



Module Lounge Seating Corner

continued

Specification Information

Step 1.

AL2C A

Step 2. Configuration

3000 corner A

Step 3. Upholstery Assignment

S single fabric A

Prices for Steps 1-3.

AL2C3000 S \$3131

Step 4. Leg Finish

EN ebony A +\$0

Step 5. Fabric

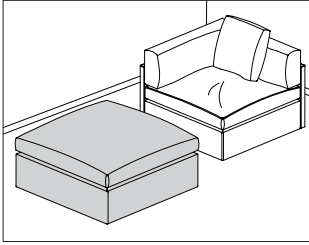
Price Category 1	+\$0
Price Category 2	+\$90
Price Category 3	+\$114
Price Category (Geiger) 3	+\$111
Price Category 4	+\$262
Price Category (Geiger) 4	+\$223
Price Category 5	+\$446
Price Category (Geiger) 5	+\$380
Price Category (Geiger) 6	+\$536
Price Category 7	+\$831
Price Category (Geiger) 7	+\$831
Price Category 9	+\$1176
Price Category (Geiger) 9	+\$1176
Price Category 10	+\$1633
Price Category 11	+\$1903
Price Category 14	+\$2189
Price Category D	+\$0
Price Category G	+\$271
Price Category H	+\$1051
Price Category J	+\$1621

Step 6. Fire Retardancy

NFR not fire retardant A +\$0

FR fire retardant A +\$450

Module Lounge Seating Ottoman AL2C4

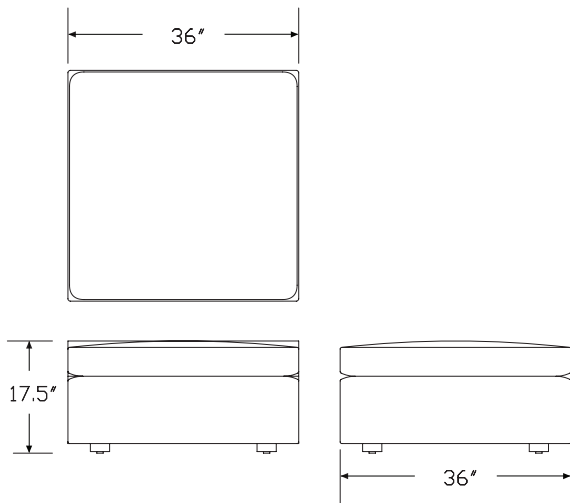


Product Information

Description
This ottoman has adjustable glides. Connecting hardware included.

Notes
Customer's Own Material (COM) requires 3½ yards. Customer's Own Leather (COL) requires 57 square feet. See Order Information in Appendices.
Limited textile selection available. See application chart in appendices.

Dimensions



HermanMiller Collection—Sofas

Specification Information

Step 1.

AL2C A

Step 2. Configuration

4000 ottoman A

Step 3. Upholstery Assignment

S single fabric A

Prices for Steps 1-3.

AL2C4000 S \$3636

Step 4. Leg Finish

EN ebony A +\$0

Step 5. Fabric

- Price Category 1 +\$0
- Price Category 2 +\$88
- Price Category 3 +\$53
- Price Category (Geiger) 3 +\$50
- Price Category 4 +\$122
- Price Category (Geiger) 4 +\$104
- Price Category 5 +\$208
- Price Category (Geiger) 5 +\$177
- Price Category (Geiger) 6 +\$250
- Price Category 7 +\$380
- Price Category (Geiger) 7 +\$360
- Price Category 9 +\$549
- Price Category (Geiger) 9 +\$549
- Price Category 10 +\$762
- Price Category 11 +\$888
- Price Category 14 +\$1021
- Price Category D +\$0
- Price Category G +\$359
- Price Category H +\$421
- Price Category J +\$512

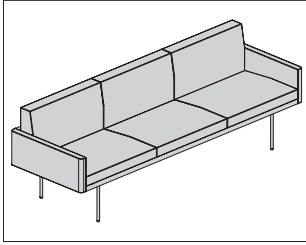
Step 6. Fire Retardancy

NFR not fire retardant A +\$0

FR fire retardant A +\$200

Tuxedo Component Lounge™ Sofa

ST3AL
ST3AN
ST3AQ
ST3AR
ST3NN
ST3NQ



Product Information

Description

This sofa has a foam and Dacron® seat with a painted or plated steel base.

Notes

Customer's Own Material (COM)/Customer's Own Leather (COL) requires the following:

Type—COM—COL

ST3NN—11¼ yards—202½ square feet

ST3NQ—11¼ yards—202½ square feet

ST3AN—13 yards—234 square feet

ST3AQ—13 yards—234 square feet

ST3ALN—12¼ yards—220½ square feet

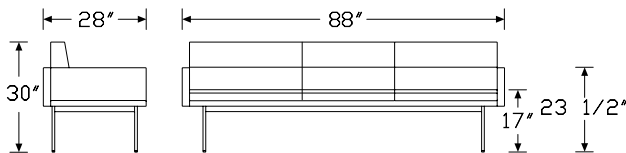
ST3ARN—12¼ yards—220½ square feet

ST3ALQ—12¼ yards—220½ square feet

ST3ARQ—12¼ yards—220½ square feet

See Order Information in Appendices for more information.

Dimensions



Specification Information

Step 1.

ST3 A

Step 2. Arms

N no arms A

A arms A

AL arm left, armless right A

AR arm right, armless left A

Step 3. Upholstery Type

N not quilted A

Q quilted A

Prices for Steps 1-3.

ST3NN	\$5030
ST3NQ	\$5200
ST3AN	\$5645
ST3AQ	\$5825
ST3AL N	\$5260
Q	\$5430
ST3AR N	\$5260
Q	\$5430

Step 4. Upholstery

For not quilted (N)

	N	A	AL	AR
Price Category (Geiger) 1	+\$439	507	478	478
Price Category 1	+\$0	0	0	0
Price Category (Geiger) 2	+\$529	611	576	576
Price Category 2	+\$529	611	576	576
Price Category (Geiger) 3	+\$664	767	723	723
Price Category 3	+\$664	767	723	723
Price Category (Geiger) 4	+\$810	936	882	882
Price Category 4	+\$810	936	882	882
Price Category (Geiger) 5	+\$1181	1365	1287	1287
Price Category 5	+\$1181	1365	1287	1287
Price Category (Geiger) 6	+\$1553	1794	1691	1691
Price Category (Geiger) 7	+\$1924	2223	2095	2095
Price Category (Geiger) 8	+\$2948	3406	3210	3210
Price Category (Geiger) 9	+\$3656	4225	3982	3982
Price Category 9	+\$4225	4225	3982	3982
Price Category (Geiger) 10	+\$4208	4862	4582	4582
Price Category (Geiger) 11	+\$4714	5447	5133	5133
Price Category 14	+\$6176	7137	6726	6726

Tuxedo Component Lounge™ Sofa

continued

HermanMiller Collection—Sofas

Price Category (Geiger) A	+\$371	429	405	405
Price Category (Geiger) C	+\$596	689	650	650
Price Category (Geiger) D	+\$788	910	858	858
Price Category (Geiger) E	+\$956	1105	1042	1042
Price Category (Geiger) F	+\$1148	1326	1250	1250
Price Category (Geiger) G	+\$1564	1807	1703	1703
Price Category (Geiger) H	+\$1946	2249	2120	2120
Price Category H	+\$1294	1495	2120	0
Price Category (Geiger) I	+\$2351	2717	2561	2561
Price Category (Geiger) J	+\$2756	3185	3002	3002
Price Category (Geiger) K	+\$3161	3653	3443	3443
Price Category (Geiger) L	+\$3566	4121	3884	3884
Price Category (Geiger) M	+\$3971	4589	4325	4325
Price Category (Geiger) N	+\$4376	5057	4766	4766
Price Category (Geiger) O	+\$4781	5525	5207	5207
Price Category (Geiger) P	+\$5175	5980	5635	5635
Price Category (Geiger) Q	+\$5974	6903	6505	6505
Price Category (Geiger) R	+\$8325	9620	9065	9065
Price Category (Geiger) S	+\$8944	10335	9739	9739
Price Category (Geiger) V	+\$10800	12480	11760	11760
Price Category (Geiger) X	+\$12038	13910	13108	13108
Price Category (Geiger) Y	+\$12656	14625	13782	13782
Price Category (Geiger) COM A	+\$0	0	0	0
Price Category (Geiger) COL A	+\$810	936	882	882

For quilted (Q)

	N	A	AL	AR
Price Category (Geiger) 1	+\$439	507	478	478
Price Category 1	+\$0	0	0	0
Price Category (Geiger) 2	+\$529	611	576	576
Price Category 2	+\$529	611	576	576
Price Category (Geiger) 3	+\$664	767	723	723
Price Category 3	+\$664	767	723	723
Price Category (Geiger) 4	+\$810	936	882	882
Price Category 4	+\$810	936	882	882
Price Category (Geiger) 5	+\$1181	1365	1287	1287
Price Category 5	+\$1181	1365	1287	1287
Price Category (Geiger) 6	+\$1553	1794	1691	1691
Price Category (Geiger) 7	+\$1924	2223	2095	2095
Price Category (Geiger) 8	+\$2948	3406	3210	3210
Price Category (Geiger) 9	+\$3656	4225	3982	3982
Price Category 9	+\$4225	4225	3982	3982
Price Category (Geiger) 10	+\$4208	4862	4582	4582
Price Category (Geiger) 11	+\$4714	5447	5133	5133
Price Category 14	+\$6176	7137	6726	6726
Price Category (Geiger) A	+\$371	429	405	405
Price Category (Geiger) C	+\$596	689	650	650

Price Category (Geiger) D	+\$788	910	858	858
Price Category (Geiger) E	+\$956	1105	1042	1042
Price Category (Geiger) F	+\$1148	1326	1250	1250
Price Category (Geiger) G	+\$1564	1807	1703	1703
Price Category (Geiger) H	+\$1946	2249	2120	2120
Price Category H	+\$1294	1495	0	2120
Price Category (Geiger) I	+\$2351	2717	2561	2561
Price Category (Geiger) J	+\$2756	3185	3002	3002
Price Category (Geiger) K	+\$3161	3653	3443	3443
Price Category (Geiger) L	+\$3566	4121	3884	3884
Price Category (Geiger) M	+\$3971	4589	4325	4325
Price Category (Geiger) N	+\$4376	5057	4766	4766
Price Category (Geiger) O	+\$4781	5525	5207	5207
Price Category (Geiger) P	+\$5175	5980	5635	5635
Price Category (Geiger) Q	+\$5974	6903	6505	6505
Price Category (Geiger) R	+\$8325	9620	9065	9065
Price Category (Geiger) S	+\$8944	10335	9739	9739
Price Category (Geiger) V	+\$10800	12480	11760	11760
Price Category (Geiger) COM A	+\$0	0	0	0
Price Category (Geiger) COL A	+\$810	936	882	882

Step 5. Base Finish

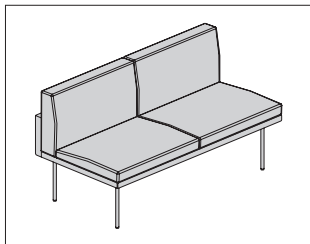
926 black A	+\$0
AS arctic silver A	+\$0
WHT white A	+\$0
BNZ bronze A	+\$645
CHR chrome A	+\$645
SAC satin chrome A	+\$645

Step 6. Fire Retardancy

	N	A	AL	AR
NOCAL not fire retardant A	+\$0	0	0	0
133 fire retardant A	+\$732	845	797	797

Tuxedo Component Lounge™ Settee

ST2AL
ST2AN
ST2AQ
ST2AR
ST2NN
ST2NQ



Product Information

Description

This settee has a foam and Dacron® seat with a painted or plated steel base.

Notes

Customer's Own Material (COM)/Customer's Own Leather (COL) requires the following:

Type—COM—COL

ST2NN—7½ yards—135 square feet

ST2NQ—7½ yards—135 square feet

ST2AN—9¼ yards—166½ square feet

ST2AQ—9¼ yards—166½ square feet

ST2ALN—8½ yards—153 square feet

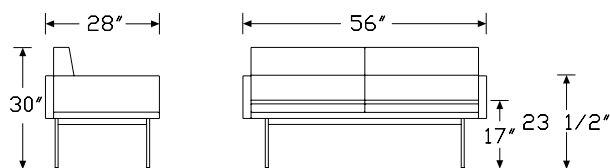
ST2ARN—8½ yards—153 square feet

ST2ALQ—8½ yards—153 square feet

ST2ARQ—8½ yards—153 square feet

See Order Information in Appendices for more information.

Dimensions



Specification Information

Step 1.

ST2 A

Step 2. Arms

N no arms A

A arms A

AL arm left, armless right A

AR arm right, armless left A

Step 3. Upholstery Type

N not quilted A

Q quilted A

Prices for Steps 1-3.

ST2NN		\$3635
ST2NQ		\$3740
ST2AN		\$4140
ST2AQ		\$4420
ST2AL N		\$3780
	Q	\$3910
ST2AR N		\$3780
	Q	\$3910

Step 4. Upholstery

For not quilted (N)

	N	A	AL	AR
Price Category (Geiger) 1	+\$293	361	332	332
Price Category 1	+\$0	0	0	0
Price Category (Geiger) 2	+\$353	435	400	400
Price Category 2	+\$353	435	400	400
Price Category (Geiger) 3	+\$443	546	502	502
Price Category 3	+\$443	546	502	502
Price Category (Geiger) 4	+\$540	666	612	612
Price Category 4	+\$540	666	612	612
Price Category (Geiger) 5	+\$788	971	893	893
Price Category 5	+\$788	971	893	893
Price Category (Geiger) 6	+\$1035	1277	1173	1173
Price Category (Geiger) 7	+\$1283	1582	1454	1454
Price Category (Geiger) 8	+\$1965	2424	2227	2227
Price Category (Geiger) 9	+\$2438	3006	2763	2763
Price Category 9	+\$3006	3006	2763	2763
Price Category (Geiger) 10	+\$2805	3460	3179	3179
Price Category (Geiger) 11	+\$3143	3876	3562	3562
Price Category 14	+\$4118	5078	4667	4667

Tuxedo Component Lounge™ Settee *continued*

Price Category (Geiger) A	+\$248	305	281	281
Price Category (Geiger) C	+\$398	490	451	451
Price Category (Geiger) D	+\$525	648	595	595
Price Category (Geiger) E	+\$638	786	723	723
Price Category (Geiger) F	+\$765	944	867	867
Price Category (Geiger) G	+\$1043	1286	1182	1182
Price Category (Geiger) H	+\$1298	1600	1471	1471
Price Category (Geiger) I	+\$1568	1933	1777	1777
Price Category (Geiger) J	+\$1838	2266	2083	2083
Price Category (Geiger) K	+\$2108	2599	2389	2389
Price Category (Geiger) L	+\$2378	2932	2695	2695
Price Category (Geiger) M	+\$2648	3265	3001	3001
Price Category (Geiger) N	+\$2918	3598	3307	3307
Price Category (Geiger) O	+\$3188	3931	3613	3613
Price Category (Geiger) P	+\$3450	4255	3910	3910
Price Category (Geiger) Q	+\$3983	4912	4514	4514
Price Category (Geiger) R	+\$5550	6845	6290	6290
Price Category (Geiger) S	+\$5963	7354	6758	6758
Price Category (Geiger) V	+\$7200	8880	8160	8160
Price Category (Geiger) X	+\$8025	9898	9095	9095
Price Category (Geiger) Y	+\$8438	10406	9563	9563
Price Category (Geiger) COM A	+\$0	0	0	0
Price Category (Geiger) COL A	+\$540	666	612	612

For no arms (N) with quilted (Q)

Price Category (Geiger) 1	+\$293
Price Category 1	+\$0
Price Category (Geiger) 2	+\$353
Price Category 2	+\$353
Price Category (Geiger) 3	+\$443
Price Category 3	+\$443
Price Category (Geiger) 4	+\$540
Price Category 4	+\$540
Price Category (Geiger) 5	+\$788
Price Category 5	+\$788
Price Category (Geiger) 6	+\$1035
Price Category (Geiger) 7	+\$1283
Price Category (Geiger) 8	+\$1965
Price Category (Geiger) 9	+\$2438
Price Category 9	+\$3006
Price Category (Geiger) 10	+\$2805
Price Category (Geiger) 11	+\$3143
Price Category 14	+\$4118
Price Category (Geiger) A	+\$248
Price Category (Geiger) C	+\$398
Price Category (Geiger) D	+\$525
Price Category (Geiger) E	+\$638

Price Category (Geiger) F	+\$765
Price Category (Geiger) G	+\$1043
Price Category (Geiger) H	+\$1298
Price Category (Geiger) I	+\$1568
Price Category (Geiger) J	+\$1838
Price Category (Geiger) K	+\$2108
Price Category (Geiger) L	+\$2378
Price Category (Geiger) M	+\$2648
Price Category (Geiger) N	+\$2918
Price Category (Geiger) O	+\$3188
Price Category (Geiger) P	+\$3450
Price Category (Geiger) Q	+\$3983
Price Category (Geiger) R	+\$5550
Price Category (Geiger) S	+\$5963
Price Category (Geiger) V	+\$7200
Price Category (Geiger) COL A	+\$540
Price Category (Geiger) COM A	+\$0

For arms (A) with quilted (Q)

Price Category (Geiger) 1	+\$361
Price Category 1	+\$0
Price Category (Geiger) 2	+\$435
Price Category 2	+\$435
Price Category (Geiger) 3	+\$546
Price Category 3	+\$546
Price Category (Geiger) 4	+\$666
Price Category 4	+\$666
Price Category (Geiger) 5	+\$971
Price Category 5	+\$971
Price Category (Geiger) 6	+\$1277
Price Category (Geiger) 7	+\$1582
Price Category (Geiger) 8	+\$2424
Price Category (Geiger) 9	+\$3006
Price Category 9	+\$3006
Price Category (Geiger) 10	+\$3460
Price Category (Geiger) 11	+\$3876
Price Category 14	+\$5078
Price Category (Geiger) A	+\$305
Price Category (Geiger) C	+\$490
Price Category (Geiger) D	+\$648
Price Category (Geiger) E	+\$786
Price Category (Geiger) F	+\$944
Price Category (Geiger) G	+\$1286
Price Category (Geiger) H	+\$1600
Price Category (Geiger) I	+\$1933
Price Category (Geiger) J	+\$2266
Price Category (Geiger) K	+\$2599

Tuxedo Component Lounge™ Settee *continued*

Price Category (Geiger) L	+\$2932
Price Category (Geiger) M	+\$3265
Price Category (Geiger) N	+\$3598
Price Category (Geiger) O	+\$3931
Price Category (Geiger) P	+\$4255
Price Category (Geiger) Q	+\$4912
Price Category (Geiger) R	+\$6845
Price Category (Geiger) S	+\$7354
Price Category (Geiger) V	+\$8880
Price Category (Geiger) COM A	+\$0
Price Category (Geiger) COL A	+\$666

For arm left, armless right (AL) with quilted (Q)

Price Category (Geiger) 1	+\$332
Price Category 1	+\$0
Price Category (Geiger) 2	+\$400
Price Category 2	+\$400
Price Category (Geiger) 3	+\$502
Price Category 3	+\$502
Price Category (Geiger) 4	+\$612
Price Category 4	+\$612
Price Category (Geiger) 5	+\$893
Price Category 5	+\$893
Price Category (Geiger) 6	+\$1173
Price Category (Geiger) 7	+\$1454
Price Category (Geiger) 8	+\$2227
Price Category (Geiger) 9	+\$2763
Price Category 9	+\$2763
Price Category (Geiger) 10	+\$3179
Price Category (Geiger) 11	+\$3562
Price Category 14	+\$4667
Price Category (Geiger) A	+\$281
Price Category (Geiger) C	+\$451
Price Category (Geiger) D	+\$595
Price Category (Geiger) E	+\$723
Price Category (Geiger) F	+\$867
Price Category (Geiger) G	+\$1182
Price Category (Geiger) H	+\$1471
Price Category (Geiger) I	+\$1777
Price Category (Geiger) J	+\$2083
Price Category (Geiger) K	+\$2389
Price Category (Geiger) L	+\$2695
Price Category (Geiger) M	+\$3001
Price Category (Geiger) N	+\$3307
Price Category (Geiger) O	+\$3613
Price Category (Geiger) P	+\$3910
Price Category (Geiger) Q	+\$4514

Price Category (Geiger) R	+\$6290
Price Category (Geiger) S	+\$6758
Price Category (Geiger) V	+\$8160
Price Category (Geiger) COM A	+\$0
Price Category (Geiger) COL A	+\$612

For arm right, armless left (AR) with quilted (Q)

Price Category (Geiger) 1	+\$332
Price Category 1	+\$0
Price Category (Geiger) 2	+\$400
Price Category 2	+\$400
Price Category (Geiger) 3	+\$502
Price Category 3	+\$502
Price Category (Geiger) 4	+\$612
Price Category 4	+\$612
Price Category (Geiger) 5	+\$893
Price Category 5	+\$893
Price Category (Geiger) 6	+\$1173
Price Category (Geiger) 7	+\$1454
Price Category (Geiger) 8	+\$2227
Price Category (Geiger) 9	+\$2763
Price Category 9	+\$2763
Price Category (Geiger) 10	+\$3179
Price Category (Geiger) 11	+\$3562
Price Category 14	+\$4667
Price Category (Geiger) A	+\$281
Price Category (Geiger) C	+\$451
Price Category (Geiger) D	+\$595
Price Category (Geiger) E	+\$723
Price Category (Geiger) F	+\$867
Price Category (Geiger) G	+\$1182
Price Category (Geiger) H	+\$1471
Price Category (Geiger) I	+\$1777
Price Category (Geiger) J	+\$2083
Price Category (Geiger) K	+\$2389
Price Category (Geiger) L	+\$2695
Price Category (Geiger) M	+\$3001
Price Category (Geiger) N	+\$3307
Price Category (Geiger) O	+\$3613
Price Category (Geiger) P	+\$3910
Price Category (Geiger) Q	+\$4514
Price Category (Geiger) R	+\$6290
Price Category (Geiger) S	+\$6758
Price Category (Geiger) V	+\$8160
Price Category (Geiger) COM A	+\$0
Price Category (Geiger) COL A	+\$612

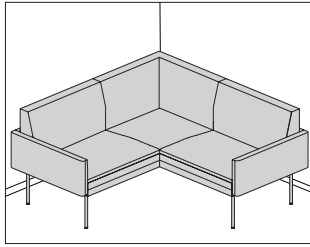
Tuxedo Component Lounge™
Settee *continued*

Step 5. Base Finish		
926	black <input type="checkbox"/>	+\$0
AS	arctic silver <input type="checkbox"/>	+\$0
WHT	white <input type="checkbox"/>	+\$0
BNZ	bronze <input type="checkbox"/>	+\$645
CHR	chrome <input type="checkbox"/>	+\$645
SAC	satin chrome <input type="checkbox"/>	+\$645

Step 6. Fire Retardancy			N	A	AL	AR
NOCAL	not fire retardant <input type="checkbox"/>		+\$0	0	0	0
133	fire retardant <input type="checkbox"/>		+\$488	602	553	553

Tuxedo Component Lounge™
Settee Corner

ST2CL
ST2CR



Product Information

Description

This corner settee has a foam and Dacron® seat with a painted or plated steel base.

Notes

Customer's Own Material (COM)/Customer's Own Leather (COL) requires the following:

Type—COM—COL

ST2CLNN/ST2CRNN—9¼ yards—166½ square feet

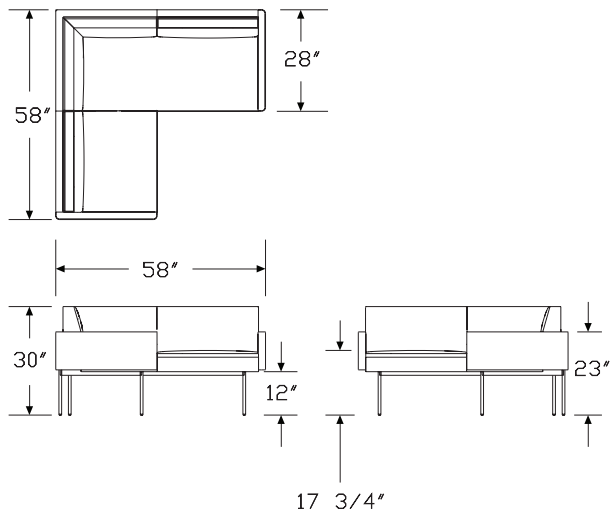
ST2CLNQ/ST2CRNQ—9¼ yards—166½ square feet

ST2CLAN/ST2CRAN—10¼ yards—184½ square feet

ST2CLAQ/ST2CRAQ—10¼ yards—184½ square feet

See Order Information in Appendices for more information.

Dimensions



Specification Information

Step 1.

ST2C A

Step 2. Corner

L corner left A

R corner right A

Step 3. Arms

N no arms A

A arms A

Step 4. Upholstery Type

N not quilted A

Q quilted A

Prices for Steps 1-4.

		N	Q
ST2CL	N	\$4385	4460
	A	\$4575	4770
ST2CR	N	\$4385	4460
	A	\$4575	4770

Step 5. Upholstery

For no arms (N) with not quilted (N)

Price Category (Geiger) 1	+\$293
Price Category 1	+\$0
Price Category (Geiger) 2	+\$353
Price Category 2	+\$353
Price Category (Geiger) 3	+\$443
Price Category 3	+\$443
Price Category (Geiger) 4	+\$540
Price Category 4	+\$540
Price Category (Geiger) 5	+\$788
Price Category 5	+\$788
Price Category (Geiger) 6	+\$1035
Price Category (Geiger) 7	+\$1283
Price Category (Geiger) 8	+\$1965
Price Category (Geiger) 9	+\$2438
Price Category 9	+\$2438
Price Category (Geiger) 10	+\$2805
Price Category (Geiger) 11	+\$3143
Price Category 14	+\$4118
Price Category (Geiger) A	+\$248
Price Category (Geiger) C	+\$398

Tuxedo Component Lounge™ Settee Corner *continued*

Price Category (Geiger) D	+\$525
Price Category (Geiger) E	+\$638
Price Category (Geiger) F	+\$765
Price Category (Geiger) G	+\$1043
Price Category (Geiger) H	+\$1298
Price Category H	+\$1298
Price Category (Geiger) I	+\$1568
Price Category (Geiger) J	+\$1838
Price Category (Geiger) K	+\$2108
Price Category (Geiger) L	+\$2378
Price Category (Geiger) M	+\$2648
Price Category (Geiger) N	+\$2918
Price Category (Geiger) O	+\$3188
Price Category (Geiger) P	+\$3450
Price Category (Geiger) Q	+\$3983
Price Category (Geiger) R	+\$5550
Price Category (Geiger) S	+\$5963
Price Category (Geiger) V	+\$7200
Price Category (Geiger) X	+\$8025
Price Category (Geiger) Y	+\$8438
Price Category (Geiger) COM A	+\$0
Price Category (Geiger) COL A	+\$540

For quilted (Q)

	N	A
Price Category (Geiger) 1	+\$293	361
Price Category 1	+\$0	0
Price Category (Geiger) 2	+\$353	435
Price Category 2	+\$353	435
Price Category (Geiger) 3	+\$443	546
Price Category 3	+\$443	546
Price Category (Geiger) 4	+\$540	666
Price Category 4	+\$540	666
Price Category (Geiger) 5	+\$788	971
Price Category 5	+\$788	971
Price Category (Geiger) 7	+\$1283	1582
Price Category (Geiger) 8	+\$1965	2424
Price Category (Geiger) 9	+\$2438	3006
Price Category 9	+\$2438	3006
Price Category (Geiger) 10	+\$2805	3460
Price Category (Geiger) 11	+\$3143	3876
Price Category 14	+\$4118	5078
Price Category (Geiger) A	+\$248	305
Price Category (Geiger) C	+\$398	490
Price Category (Geiger) D	+\$525	648
Price Category (Geiger) E	+\$638	786
Price Category (Geiger) F	+\$765	944

Price Category (Geiger) G	+\$1043	1286
Price Category (Geiger) H	+\$1298	1600
Price Category H	+\$1298	1600
Price Category (Geiger) I	+\$1568	1933
Price Category (Geiger) J	+\$1838	2266
Price Category (Geiger) K	+\$2108	2599
Price Category (Geiger) L	+\$2378	2932
Price Category (Geiger) M	+\$2648	3265
Price Category (Geiger) N	+\$2918	3598
Price Category (Geiger) O	+\$3188	3931
Price Category (Geiger) P	+\$3450	4255
Price Category (Geiger) Q	+\$3983	4912
Price Category (Geiger) R	+\$5550	6845
Price Category (Geiger) S	+\$5963	7354
Price Category (Geiger) V	+\$7200	8880
Price Category (Geiger) COM A	+\$0	0
Price Category (Geiger) COL A	+\$540	666

For arms (A) with not quilted (N)

Price Category (Geiger) 1	+\$361
Price Category 1	+\$0
Price Category (Geiger) 2	+\$435
Price Category 2	+\$435
Price Category (Geiger) 3	+\$546
Price Category 3	+\$546
Price Category (Geiger) 4	+\$666
Price Category 4	+\$666
Price Category (Geiger) 5	+\$971
Price Category 5	+\$971
Price Category (Geiger) 6	+\$1277
Price Category (Geiger) 7	+\$1582
Price Category (Geiger) 8	+\$2424
Price Category (Geiger) 9	+\$3006
Price Category 9	+\$3006
Price Category (Geiger) 10	+\$3460
Price Category (Geiger) 11	+\$3876
Price Category 14	+\$5078
Price Category (Geiger) A	+\$305
Price Category (Geiger) C	+\$490
Price Category (Geiger) D	+\$648
Price Category (Geiger) E	+\$786
Price Category (Geiger) F	+\$944
Price Category (Geiger) G	+\$1286
Price Category H	+\$1600
Price Category (Geiger) H	+\$1600
Price Category (Geiger) I	+\$1933
Price Category (Geiger) J	+\$2266

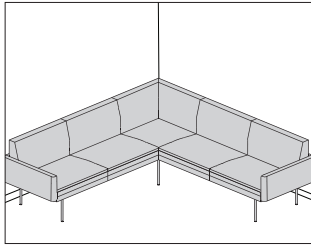
Tuxedo Component Lounge™ Settee Corner *continued*

Price Category (Geiger) K	+\$2599
Price Category (Geiger) L	+\$2932
Price Category (Geiger) M	+\$3265
Price Category (Geiger) N	+\$3598
Price Category (Geiger) O	+\$3931
Price Category (Geiger) P	+\$4255
Price Category (Geiger) Q	+\$4912
Price Category (Geiger) R	+\$6845
Price Category (Geiger) S	+\$7354
Price Category (Geiger) V	+\$8880
Price Category (Geiger) X	+\$9898
Price Category (Geiger) Y	+\$10406
Price Category (Geiger) COM <input type="checkbox"/> A	+\$0
Price Category (Geiger) COL <input type="checkbox"/> A	+\$666

Step 6. Base Finish		
926 black <input type="checkbox"/> A		+\$0
AS arctic silver <input type="checkbox"/> A		+\$0
WHT white <input type="checkbox"/> A		+\$0
BNZ bronze <input type="checkbox"/> A		+\$645
CHR chrome <input type="checkbox"/> A		+\$645
SAC satin chrome <input type="checkbox"/> A		+\$645

Step 7. Fire Retardancy			
		N	A
NOCAL not fire retardant <input type="checkbox"/> A		+\$0	0
133 fire retardant <input type="checkbox"/> A		+\$602	488

Tuxedo Component Lounge™ Sofa ST3CL
 Corner ST3CR



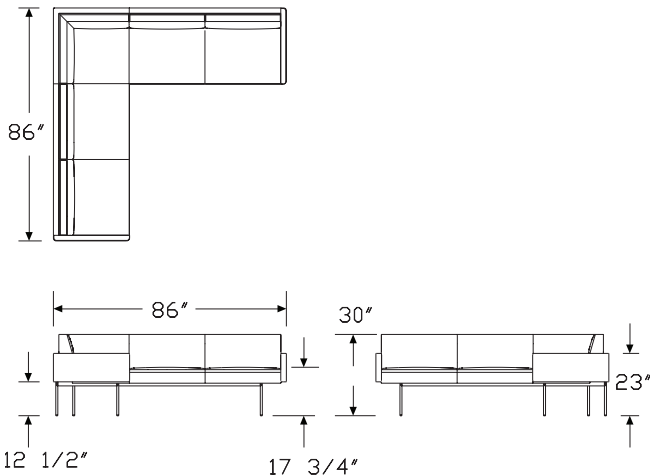
Product Information

Description
 This corner sofa has a foam and Dacron® seat with a painted or plated steel base.

Notes

Customer's Own Material (COM)/Customer's Own Leather (COL) requires the following:
 Type—COM—COL
 ST3CLNN/ST3CRNN—13 yards—234 square feet
 ST3CLNQ/ST3CRNQ—13 yards—234 square feet
 ST3CLAN/ST3CRAN—14 yards—252 square feet
 ST3CLAQ/ST3CRAQ—14 yards—252 square feet
 See Order Information in Appendices for more information.

Dimensions



HermanMiller Collection—Sofas

Specification Information

Step 1.

ST3C A

Step 2. Corner

L corner left A
R corner right A

Step 3. Arms

N no arms A
A arms A

Step 4. Upholstery Type

N not quilted A
Q quilted A

Prices for Steps 1-4.

		N	Q
ST3CL	N	\$5810	5880
	A	\$6015	6185
ST3CR	N	\$5810	5880
	A	\$6015	6185

Step 5. Upholstery

For not quilted (N)

	N	A
Price Category (Geiger) 1	+\$507	546
Price Category 1	+\$0	0
Price Category (Geiger) 2	+\$611	658
Price Category 2	+\$611	658
Price Category (Geiger) 3	+\$767	826
Price Category 3	+\$767	826
Price Category (Geiger) 4	+\$936	1008
Price Category 4	+\$936	1008
Price Category (Geiger) 5	+\$1365	1470
Price Category 5	+\$1365	1470
Price Category (Geiger) 6	+\$1794	1932
Price Category (Geiger) 7	+\$2223	2394
Price Category (Geiger) 8	+\$3406	3668
Price Category (Geiger) 9	+\$4225	4550
Price Category 9	+\$4225	4550
Price Category (Geiger) 10	+\$4862	5236
Price Category (Geiger) 11	+\$5447	5866
Price Category 14	+\$7137	7686
Price Category (Geiger) A	+\$429	462

Tuxedo Component Lounge™ Sofa

Corner *continued*

Price Category (Geiger) C	+\$689	742
Price Category (Geiger) D	+\$910	980
Price Category (Geiger) E	+\$1105	1190
Price Category (Geiger) F	+\$1326	1428
Price Category (Geiger) G	+\$1807	1946
Price Category (Geiger) H	+\$2249	2422
Price Category H	+\$2249	2422
Price Category (Geiger) I	+\$2717	2926
Price Category (Geiger) J	+\$3185	3430
Price Category (Geiger) K	+\$3653	3934
Price Category (Geiger) L	+\$4121	4438
Price Category (Geiger) M	+\$4589	4942
Price Category (Geiger) N	+\$5057	5446
Price Category (Geiger) O	+\$5525	5950
Price Category (Geiger) P	+\$5980	6440
Price Category (Geiger) Q	+\$6903	7434
Price Category (Geiger) R	+\$9620	10360
Price Category (Geiger) S	+\$10335	11130
Price Category (Geiger) V	+\$12480	13440
Price Category (Geiger) X	+\$13910	14980
Price Category (Geiger) Y	+\$14625	15750
Price Category (Geiger) COM <input type="checkbox"/>	+\$0	0
Price Category (Geiger) COL <input type="checkbox"/>	+\$936	1008

For quilted (Q)

	N	A
Price Category (Geiger) 1	+\$507	546
Price Category 1	+\$0	0
Price Category (Geiger) 2	+\$611	658
Price Category 2	+\$611	658
Price Category (Geiger) 3	+\$767	826
Price Category 3	+\$767	826
Price Category (Geiger) 4	+\$936	1008
Price Category 4	+\$936	1008
Price Category (Geiger) 5	+\$1365	1470
Price Category 5	+\$1365	1470
Price Category (Geiger) 7	+\$2223	2394
Price Category (Geiger) 8	+\$3406	3668
Price Category (Geiger) 9	+\$4225	4550
Price Category 9	+\$4225	4550
Price Category (Geiger) 10	+\$4862	5236
Price Category (Geiger) 11	+\$5447	5866
Price Category 14	+\$7137	7686
Price Category (Geiger) A	+\$429	462
Price Category (Geiger) C	+\$689	742
Price Category (Geiger) D	+\$910	980
Price Category (Geiger) E	+\$1105	1190

Price Category (Geiger) F	+\$1326	1428
Price Category (Geiger) G	+\$1807	1946
Price Category (Geiger) H	+\$2249	2422
Price Category H	+\$2249	2422
Price Category (Geiger) I	+\$2717	2926
Price Category (Geiger) J	+\$3185	3430
Price Category (Geiger) K	+\$3653	3934
Price Category (Geiger) L	+\$4121	4438
Price Category (Geiger) M	+\$4589	4942
Price Category (Geiger) N	+\$5057	5446
Price Category (Geiger) O	+\$5525	5950
Price Category (Geiger) P	+\$5980	6440
Price Category (Geiger) Q	+\$6903	7434
Price Category (Geiger) R	+\$9620	10360
Price Category (Geiger) S	+\$10335	11130
Price Category (Geiger) V	+\$12480	13440
Price Category (Geiger) COM <input type="checkbox"/>	+\$0	0
Price Category (Geiger) COL <input type="checkbox"/>	+\$936	1008

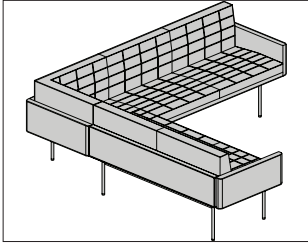
Step 6. Base Finish

926 black <input type="checkbox"/>	+\$0
AS arctic silver <input type="checkbox"/>	+\$0
WHT white <input type="checkbox"/>	+\$0
BNZ bronze <input type="checkbox"/>	+\$645
CHR chrome <input type="checkbox"/>	+\$645
SAC satin chrome <input type="checkbox"/>	+\$645

Step 7. Fire Retardancy

	N	A
NOCAL not fire retardant <input type="checkbox"/>	+\$0	0
133 fire retardant <input type="checkbox"/>	+\$910	845

Tuxedo Component Lounge™ ST2MN
 Corner Sofa with Attached Settee ST2MQ



Product Information

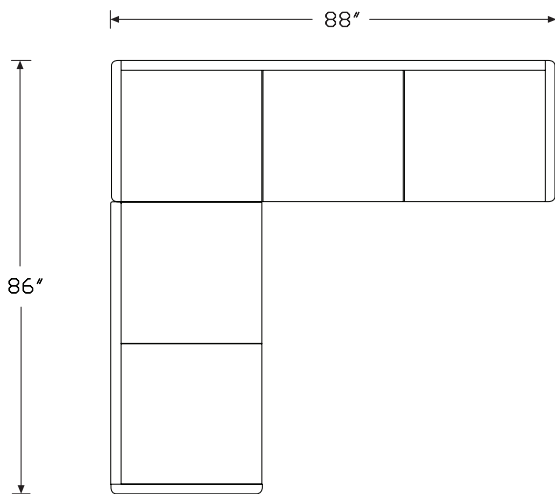
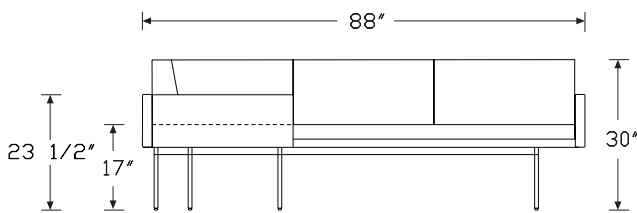
Description

This corner sofa with attached settee has a foam and Dacron® seat with a painted or plated steel base.

Notes

COM/COL requires 25 1/4 yards/450 square feet.

Dimensions



Shown above - Corner sofa left, settee right (R)

Specification Information

Step 1.

ST2M A

Step 2. Upholstery Type

N- not quilted A

Q- quilted A

Step 3. Settee Position

L corner sofa right, settee left A

R corner sofa left, settee right A

Prices for Steps 1-3.

ST2MN- L	\$9750
R	\$9750

ST2MQ- L	\$10045
R	\$10045

Step 4. Upholstery

For not quilted (N-)

Price Category (Geiger) 1	+\$0
Price Category 1	+\$0
Price Category (Geiger) 2	+\$0
Price Category 2	+\$0
Price Category (Geiger) 3	+\$1328
Price Category 3	+\$1328
Price Category (Geiger) 4	+\$1620
Price Category 4	+\$1620
Price Category (Geiger) 5	+\$2363
Price Category 5	+\$2363
Price Category (Geiger) 6	+\$3105
Price Category (Geiger) 7	+\$3848
Price Category (Geiger) 8	+\$5895
Price Category (Geiger) 9	+\$7313
Price Category 9	+\$7313
Price Category (Geiger) 10	+\$8415
Price Category (Geiger) 11	+\$9428
Price Category (Geiger) 14	+\$12353
Price Category (Geiger) A	+\$1238
Price Category (Geiger) C	+\$1463
Price Category (Geiger) D	+\$1688
Price Category (Geiger) E	+\$1913
Price Category (Geiger) F	+\$2138
Price Category (Geiger) G	+\$2363
Price Category (Geiger) H	+\$2588

Tuxedo Component Lounge™ Corner Sofa with Attached Settee

continued

Price Category (Geiger) I	+\$4703
Price Category (Geiger) J	+\$2925
Price Category (Geiger) K	+\$3263
Price Category (Geiger) L	+\$3600
Price Category (Geiger) M	+\$4050
Price Category (Geiger) N	+\$4500
Price Category (Geiger) O	+\$9563
Price Category (Geiger) P	+\$4950
Price Category (Geiger) Q	+\$10125
Price Category (Geiger) R	+\$16650
Price Category (Geiger) S	+\$17888
Price Category (Geiger) V	+\$21600
Price Category (Geiger) X	+\$24075
Price Category (Geiger) Y	+\$25313
Price Category (Geiger) COM <input type="checkbox"/>	+\$0
Price Category (Geiger) COL <input type="checkbox"/>	+\$2025

For quilted (Q-)

Price Category (Geiger) 1	+\$0
Price Category 1	+\$0
Price Category (Geiger) 2	+\$0
Price Category 2	+\$0
Price Category (Geiger) 3	+\$1328
Price Category 3	+\$1328
Price Category (Geiger) 4	+\$1620
Price Category 4	+\$1620
Price Category (Geiger) 5	+\$2363
Price Category 5	+\$2363
Price Category (Geiger) 6	+\$3105
Price Category (Geiger) 7	+\$3848
Price Category (Geiger) 8	+\$5895
Price Category (Geiger) 9	+\$7313
Price Category 9	+\$7313
Price Category (Geiger) 10	+\$8415
Price Category (Geiger) 11	+\$9428
Price Category (Geiger) 14	+\$12353
Price Category (Geiger) A	+\$1238
Price Category (Geiger) C	+\$1463
Price Category (Geiger) D	+\$1688
Price Category (Geiger) E	+\$1913
Price Category (Geiger) F	+\$2138
Price Category (Geiger) G	+\$2363
Price Category (Geiger) H	+\$2588
Price Category (Geiger) I	+\$4703
Price Category (Geiger) J	+\$2925
Price Category (Geiger) K	+\$3263
Price Category (Geiger) L	+\$3600

Price Category (Geiger) M	+\$4050
Price Category (Geiger) N	+\$4500
Price Category (Geiger) O	+\$9563
Price Category (Geiger) P	+\$4950
Price Category (Geiger) Q	+\$10125
Price Category (Geiger) R	+\$16650
Price Category (Geiger) S	+\$17888
Price Category (Geiger) V	+\$21600
Price Category (Geiger) COM <input type="checkbox"/>	+\$0
Price Category (Geiger) COL <input type="checkbox"/>	+\$2025

Step 5. Base Finish

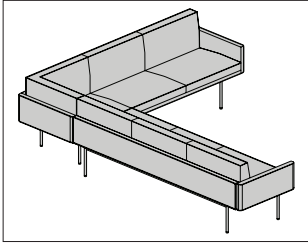
926 black <input type="checkbox"/>	+\$0
AS arctic silver <input type="checkbox"/>	+\$0
WHT white <input type="checkbox"/>	+\$0
BNZ bronze <input type="checkbox"/>	+\$1290
CHR chrome <input type="checkbox"/>	+\$1290
SAC satin chrome <input type="checkbox"/>	+\$1290

Step 6. Fire Retardancy

NOCAL not fire retardant <input type="checkbox"/>	+\$0
133 fire retardant <input type="checkbox"/>	+\$1463

Tuxedo Component Lounge™
Corner Sofa with Attached Sofa

ST3MN
ST3MQ



Product Information

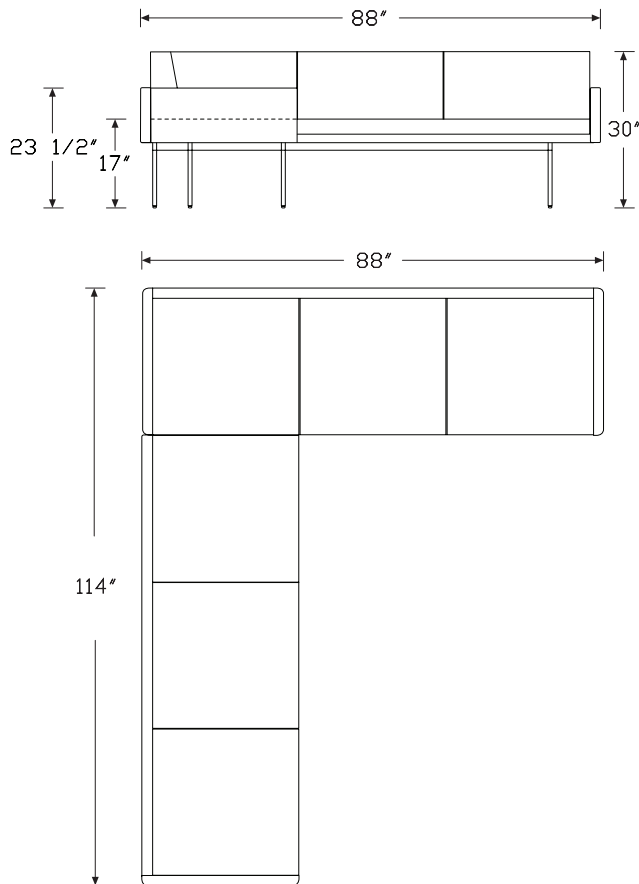
Description

This corner sofa with attached sofa has a foam and Dacron® seat with a painted or plated steel base.

Notes

COM/COL requires 28½ yards/513 square feet.

Dimensions



Shown above - Corner sofa left,
sofa right (R)

Specification Information

Step 1.

ST3M A

Step 2. Upholstery Type

N- not quilted A

Q- quilted A

Step 3. Sofa Position

L corner sofa right, sofa left A

R corner sofa left, sofa right A

Prices for Steps 1-3.

ST3MN- L	\$11225
R	\$11225

ST3MQ- L	\$11560
R	\$11560

Step 4. Upholstery

For quilted (Q-)

Price Category (Geiger) 1	+\$0
Price Category 1	+\$0
Price Category (Geiger) 2	+\$0
Price Category 2	+\$0
Price Category (Geiger) 3	+\$1534
Price Category 3	+\$1534
Price Category (Geiger) 4	+\$1872
Price Category 4	+\$1872
Price Category (Geiger) 5	+\$2730
Price Category 5	+\$2730
Price Category (Geiger) 6	+\$3588
Price Category (Geiger) 7	+\$4446
Price Category (Geiger) 8	+\$6812
Price Category (Geiger) 9	+\$8450
Price Category 9	+\$8450
Price Category (Geiger) 10	+\$9724
Price Category (Geiger) 11	+\$10894
Price Category (Geiger) 14	+\$14247
Price Category (Geiger) A	+\$1430
Price Category (Geiger) C	+\$1690
Price Category (Geiger) D	+\$1950
Price Category (Geiger) E	+\$2210
Price Category (Geiger) F	+\$2470
Price Category (Geiger) G	+\$2730
Price Category (Geiger) H	+\$2990

Tuxedo Component Lounge™ Corner Sofa with Attached Sofa

continued

Price Category (Geiger) I	+\$5434
Price Category (Geiger) J	+\$3380
Price Category (Geiger) K	+\$3770
Price Category (Geiger) L	+\$4160
Price Category (Geiger) M	+\$4680
Price Category (Geiger) N	+\$5200
Price Category (Geiger) O	+\$11050
Price Category (Geiger) P	+\$5720
Price Category (Geiger) Q	+\$11700
Price Category (Geiger) R	+\$19240
Price Category (Geiger) S	+\$20869
Price Category (Geiger) V	+\$24960
Price Category (Geiger) COM <input type="checkbox"/>	+\$0
Price Category (Geiger) COL <input type="checkbox"/>	+\$2340

For not quilted (N-)

Price Category (Geiger) 1	+\$0
Price Category 1	+\$0
Price Category (Geiger) 2	+\$0
Price Category 2	+\$0
Price Category (Geiger) 3	+\$1534
Price Category 3	+\$1534
Price Category (Geiger) 4	+\$1872
Price Category 4	+\$1872
Price Category (Geiger) 5	+\$2730
Price Category 5	+\$2730
Price Category (Geiger) 6	+\$3588
Price Category (Geiger) 7	+\$4446
Price Category (Geiger) 8	+\$6812
Price Category (Geiger) 9	+\$8450
Price Category 9	+\$8450
Price Category (Geiger) 10	+\$9724
Price Category (Geiger) 11	+\$10894
Price Category (Geiger) 14	+\$14247
Price Category (Geiger) A	+\$1430
Price Category (Geiger) C	+\$1690
Price Category (Geiger) D	+\$1950
Price Category (Geiger) E	+\$2210
Price Category (Geiger) F	+\$2470
Price Category (Geiger) G	+\$2730
Price Category (Geiger) H	+\$2990
Price Category (Geiger) I	+\$5434
Price Category (Geiger) J	+\$3380
Price Category (Geiger) K	+\$3770
Price Category (Geiger) L	+\$4160
Price Category (Geiger) M	+\$4680
Price Category (Geiger) N	+\$5200

Price Category (Geiger) O	+\$11050
Price Category (Geiger) P	+\$5720
Price Category (Geiger) Q	+\$11700
Price Category (Geiger) R	+\$19240
Price Category (Geiger) S	+\$20869
Price Category (Geiger) V	+\$24960
Price Category (Geiger) X	+\$28088
Price Category (Geiger) Y	+\$29531
Price Category (Geiger) COM <input type="checkbox"/>	+\$0
Price Category (Geiger) COL <input type="checkbox"/>	+\$2340

Step 5. Base Finish

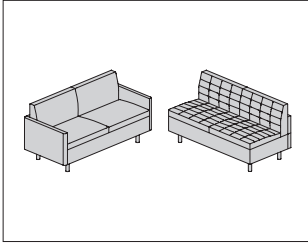
926 black <input type="checkbox"/>	+\$0
AS arctic silver <input type="checkbox"/>	+\$0
WHT white <input type="checkbox"/>	+\$0
BNZ bronze <input type="checkbox"/>	+\$1290
CHR chrome <input type="checkbox"/>	+\$1290
SAC satin chrome <input type="checkbox"/>	+\$1290

Step 6. Fire Retardancy

NOCAL not fire retardant <input type="checkbox"/>	+\$0
133 fire retardant <input type="checkbox"/>	+\$1690

Tuxedo Classic Settee

SZ2AB
SZ2AL
SZ2AN
SZ2AR



Product Information

Description

This settee has solid wood legs with cushions made of polyfoam and DACRON®. Cushions are quilted or not quilted. The settee is available without arms, or with arms on either the left or right side, or on both sides. Fire retardant settee meets CAL 133 requirements.

Notes

For arm on right (AR) configuration, settee connects to adjacent seat on the left.

For arm on left (AL) configuration, settee connects to adjacent seat on the right.

For arms on left and right (AB), settee connects to adjacent seat on left and right.

Handedness is determined from a seated position.

Customer's Own Material (COM)/Customer's Own Leather (COL) requires the following:

Type—COM—COL

SZ2ANN—8 yards—144 square feet

SZ2ANQ—8 yards—144 square feet

SZ2ABN—10¹/₂ yards—189 square feet

SZ2ABQ—10¹/₂ yards—189 square feet

SZ2ALN—9¹/₄ yards—166¹/₂ square feet

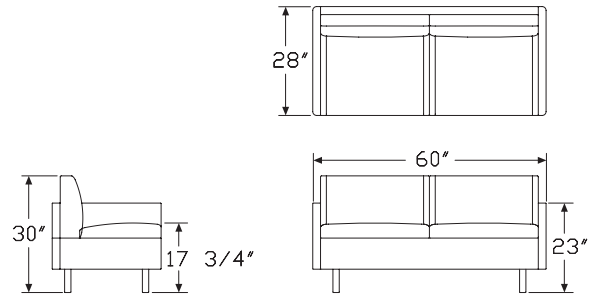
SZ2ALQ—9¹/₄ yards—166¹/₂ square feet

SZ2ARN—9¹/₄ yards—166¹/₂ square feet

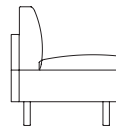
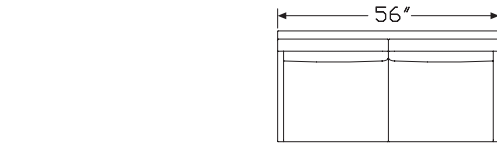
SZ2ARQ—9¹/₄ yards—166¹/₂ square feet

See Order Information in Appendices for more information.

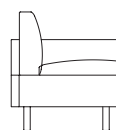
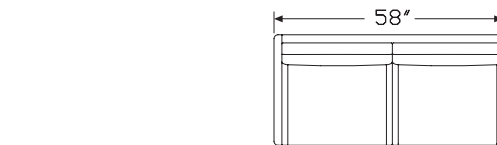
Dimensions



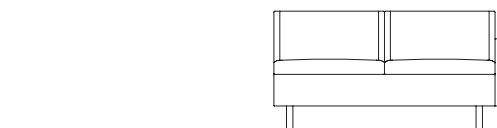
Settee



Connecting Settee - Armless



Connecting Settee - Arm Right



Connecting Settee - Arm Left

Tuxedo Classic Settee *continued*

Specification Information

Step 1.

SZ2 A

Step 2. Arms

- AN** armless A
- AB** arms on left and right A
- AL** arm on left A
- AR** arm on right A

Step 3. Upholstery Type

- N** not quilted A
- Q** quilted A

Prices for Steps 1-3.

SZ2AN	N	\$3220
	Q	\$3480
<hr/>		
SZ2AB	N	\$3950
	Q	\$4210
<hr/>		
SZ2AL	N	\$3585
	Q	\$3845
<hr/>		
SZ2AR	N	\$3585
	Q	\$3845

Step 4. Fabric

For not quilted (N)

	AN	AB	AL	AR
Price Category (Geiger) COM <input type="checkbox"/> A	+\$0	0	0	0
Price Category (Geiger) COL <input type="checkbox"/> A	+\$576	756	666	666
Price Category 1	+\$0	0	0	0
Price Category (Geiger) 2	+\$376	494	435	435
Price Category 2	+\$376	494	435	435
Price Category (Geiger) 3	+\$472	620	546	546
Price Category 3	+\$472	620	546	546
Price Category (Geiger) 4	+\$576	756	666	666
Price Category (Geiger) 5	+\$840	1103	971	971
Price Category 5	+\$840	1103	971	971
Price Category (Geiger) 6	+\$1104	1449	1277	1277
Price Category (Geiger) 7	+\$1368	1796	1582	1582
Price Category (Geiger) 8	+\$2096	2751	2424	2424
Price Category (Geiger) 9	+\$2600	3413	3006	3006
Price Category 9	+\$2600	3413	3006	3006
Price Category (Geiger) 10	+\$2992	3927	3460	3460
Price Category 11	+\$3352	4400	3876	3876
Price Category 14	+\$0	0	0	0
Price Category (Geiger) D	+\$560	735	648	648
Price Category (Geiger) G	+\$1112	1460	1286	1286
Price Category (Geiger) H	+\$1384	1817	1600	1600
Price Category (Geiger) I	+\$1672	2195	1933	1933
Price Category (Geiger) K	+\$2248	2951	2599	2599
Price Category (Geiger) L	+\$2536	3329	2932	2932
Price Category (Geiger) M	+\$2824	3707	3265	3265
Price Category (Geiger) R	+\$5920	7770	6845	6845

Tuxedo Classic Settee *continued*

For armless (AN) with quilted (Q)

Price Category (Geiger) D	+\$560
Price Category (Geiger) COM A	+\$0
Price Category (Geiger) COL A	+\$576
Price Category 1	+\$0
Price Category (Geiger) 2	+\$376
Price Category 2	+\$376
Price Category (Geiger) 3	+\$472
Price Category 3	+\$472
Price Category (Geiger) 4	+\$576
Price Category (Geiger) 5	+\$840
Price Category 5	+\$840
Price Category (Geiger) 6	+\$1104
Price Category (Geiger) 7	+\$1368
Price Category (Geiger) 8	+\$2096
Price Category 9	+\$2600
Price Category (Geiger) 10	+\$2992
Price Category 11	+\$3352
Price Category 14	+\$0
Price Category (Geiger) G	+\$1112
Price Category (Geiger) H	+\$1384
Price Category (Geiger) I	+\$1672
Price Category (Geiger) K	+\$2248
Price Category (Geiger) L	+\$2536
Price Category (Geiger) M	+\$2824
Price Category (Geiger) R	+\$5920

For arms on left and right (AB) with quilted (Q)

Price Category (Geiger) COM A	+\$0
Price Category (Geiger) COL A	+\$756
Price Category 1	+\$0
Price Category (Geiger) 2	+\$494
Price Category 2	+\$494
Price Category (Geiger) 3	+\$620
Price Category 3	+\$620
Price Category (Geiger) 4	+\$756
Price Category (Geiger) 5	+\$1103
Price Category 5	+\$1103
Price Category (Geiger) 6	+\$1449
Price Category (Geiger) 7	+\$1796
Price Category (Geiger) 8	+\$2751
Price Category 9	+\$3413
Price Category (Geiger) 10	+\$3927
Price Category 11	+\$4400
Price Category 14	+\$0
Price Category (Geiger) D	+\$735
Price Category (Geiger) G	+\$1460
Price Category (Geiger) H	+\$1817
Price Category (Geiger) I	+\$2195
Price Category (Geiger) K	+\$2951
Price Category (Geiger) L	+\$3329
Price Category (Geiger) M	+\$3707
Price Category (Geiger) R	+\$7770

Tuxedo Classic Settee *continued*

For arm on left (AL) or arm on right (AR) with quilted (Q)

Price Category (Geiger) COM A	+\$0
Price Category (Geiger) COL A	+\$666
Price Category 1	+\$0
Price Category (Geiger) 2	+\$435
Price Category 2	+\$435
Price Category (Geiger) 3	+\$546
Price Category 3	+\$546
Price Category (Geiger) 4	+\$666
Price Category (Geiger) 5	+\$971
Price Category 5	+\$971
Price Category (Geiger) 6	+\$1277
Price Category (Geiger) 7	+\$1582
Price Category (Geiger) 8	+\$2424
Price Category 9	+\$3006
Price Category (Geiger) 10	+\$3460
Price Category 11	+\$3876
Price Category 14	+\$0
Price Category (Geiger) D	+\$648
Price Category (Geiger) G	+\$1286
Price Category (Geiger) H	+\$1600
Price Category (Geiger) I	+\$1933
Price Category (Geiger) K	+\$2599
Price Category (Geiger) L	+\$2932
Price Category (Geiger) M	+\$3265
Price Category (Geiger) R	+\$6845

Step 5. Base Finish

Matte Finishes

662 toasted walnut, matte sheen A	+\$0
663 charred walnut, matte sheen A	+\$0
664 bronzed walnut, matte sheen A	+\$0
665 smoked walnut, matte sheen A	+\$0
666 coffee walnut, matte sheen A	+\$0
667 smoked paldao, quarter cut, matte sheen A	+\$0
669 warm paldao, quarter cut, matte sheen A	+\$0
66A recograin frosty ash A	+\$0
677 chocolate ash, matte sheen A	+\$0
68R recograin rosewood A	+\$0
69A recograin frosty ash A	+\$0
69R recograin rosewood A	+\$0
69T recograin teak A	+\$0
6K1 rift oak A	+\$0
ET clear on ash A	+\$0
EU oak on ash A	+\$0
EV walnut on ash A	+\$0

GOU natural walnut, flat cut, matte sheen A	+\$0
6A1 white ash A	+\$0
6K6 burnt oak A	+\$0
932 sundance anigre A	+\$0
933 caramel anigre A	+\$0
934 henna anigre A	+\$0
940 sundance cherry on maple A	+\$0
962 toasted walnut, low sheen A	+\$0
963 charred walnut, low sheen A	+\$0
964 bronzed walnut, low sheen A	+\$0
965 smoked walnut, low sheen A	+\$0
966 coffee walnut, low sheen A	+\$0
967 smoked paldao, low sheen A	+\$0
969 warm paldao, low sheen A	+\$0
972 sundance walnut A	+\$0
977 chocolate ash, low sheen A	+\$0
98R recograin rosewood A	+\$0
991 champagne ash A	+\$0
99A recograin frosty ash A	+\$0
99R recograin rosewood A	+\$0
99T recograin teak A	+\$0
9A1 white ash, quarter cut, low sheen A	+\$0
9K1 rift oak, rift cut, low sheen A	+\$0
9K6 burnt oak, rift cut, low sheen A	+\$0
G2U light brown walnut, low sheen A	+\$0
G40 dark brown walnut, low sheen A	+\$0
UX walnut on cherry A	+\$0
943 caramel cherry A	+\$0
946 cocoa cherry A	+\$0
956 cocoa sapele A	+\$0
998 ebony ash A	+\$0
ED aged cherry A	+\$0
EK medium red walnut A	+\$0

RecoGrain Veneer

66G recograin wenge A	+\$0
68W recograin walnut, flat cut, matte sheen A	+\$0
69G recograin wenge A	+\$0
69W recograin walnut, quarter cut, matte sheen A	+\$0

Recon Veneer -

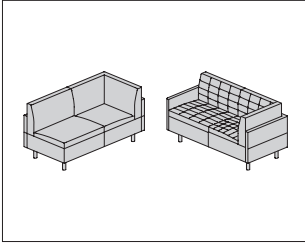
96G wenge recograin, quarter cut, low sheen A	+\$0
98W recograin walnut, flat cut, low sheen A	+\$0
99G recograin wenge, quarter cut, low sheen A	+\$0
99W recograin walnut, quarter cut, low sheen A	+\$0

Tuxedo Classic Settee *continued*

Step 6. Fire Retardancy		AN	AB	AL	AR
NOCAL	no cal-133 required <input type="checkbox"/>	+\$0	0	0	0
133	cal-133 required <input type="checkbox"/>	+\$520	683	601	601

Tuxedo Classic Corner Settee

SZ2CL
SZ2CR
SZ2ZL
SZ2ZR



Product Information

Description

This corner settee has solid wood legs with cushions made of polyfoam and DACRON®. Cushions are quilted or not quilted. The settee is available with the corner on the left or right side and with or without an arm on the opposite side. Fire retardant settee meets CAL 133 requirements.

Notes

Handedness is determined from a seated position.

Customer's Own Material (COM)/Customer's Own Leather (COL) requires the following:

Type—COM—COL

SZ2CRN—10½ yards—189 square feet

SZ2CRQ—10½ yards—189 square feet

SZ2CLN—10½ yards—189 square feet

SZ2CLQ—10½ yards—189 square feet

SZ2ZRN—11¾ yards—212 square feet

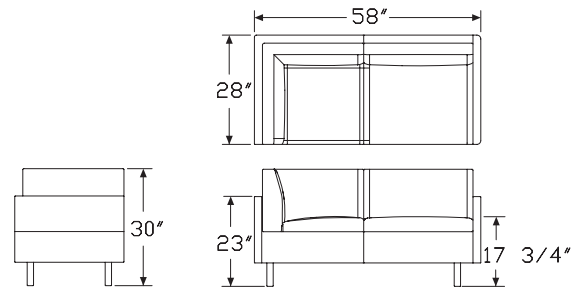
SZ2ZRQ—11¾ yards—212 square feet

SZ2ZLN—11¾ yards—212 square feet

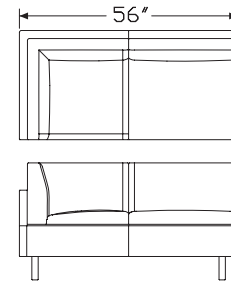
SZ2ZLQ—11¾ yards—212 square feet

See Order Information in Appendices for more information.

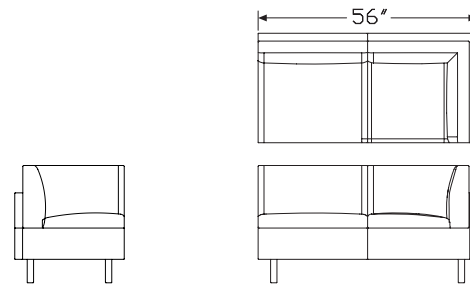
Dimensions



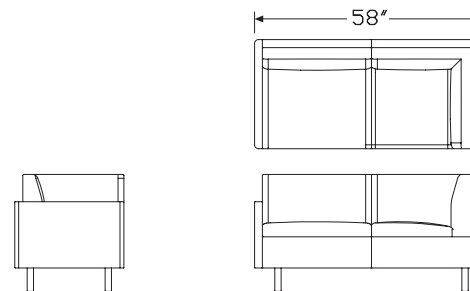
Corner Settee with Arm - Right



Corner Settee - Right



Corner Settee - Left



Corner Settee with Arm - Left

Tuxedo Classic Corner Settee

continued

Specification Information

Step 1.

SZ2 A

Step 2. Arms

CL corner left A

CR corner right A

ZL corner on left with arm on right A

ZR corner on right with arm on left A

Step 3. Upholstery Type

N not quilted A

Q quilted A

Prices for Steps 1-3.

SZ2CL	N	\$4060
	Q	\$4370
SZ2CR	N	\$4060
	Q	\$4370
SZ2ZL	N	\$4420
	Q	\$4735
SZ2ZR	N	\$4420
	Q	\$4735

Step 4. Fabric

For not quilted (N)

Price Category (Geiger) COM	<input type="checkbox"/> A	+\$0
Price Category (Geiger) COL	<input type="checkbox"/> A	+\$756
Price Category 1		+\$0
Price Category (Geiger) 2		+\$494
Price Category 2		+\$494
Price Category (Geiger) 3		+\$620
Price Category 3		+\$620
Price Category (Geiger) 4		+\$756
Price Category (Geiger) 5		+\$1103
Price Category 5		+\$1103
Price Category (Geiger) 6		+\$1449
Price Category (Geiger) 7		+\$1796
Price Category (Geiger) 8		+\$2751
Price Category (Geiger) 9		+\$3413
Price Category 9		+\$3413
Price Category (Geiger) 10		+\$3927
Price Category 11		+\$4400
Price Category 14		+\$0
Price Category (Geiger) D		+\$735
Price Category (Geiger) G		+\$1460
Price Category (Geiger) H		+\$1817
Price Category (Geiger) I		+\$2195
Price Category (Geiger) K		+\$2951
Price Category (Geiger) L		+\$3329
Price Category (Geiger) M		+\$3707
Price Category (Geiger) R		+\$7770

Tuxedo Classic Corner Settee

continued

For quilted (Q)

Price Category (Geiger) COM A	+\$0
Price Category (Geiger) COL A	+\$756
Price Category 1	+\$0
Price Category (Geiger) 2	+\$494
Price Category 2	+\$494
Price Category (Geiger) 3	+\$620
Price Category 3	+\$620
Price Category (Geiger) 4	+\$756
Price Category (Geiger) 5	+\$1103
Price Category 5	+\$1103
Price Category (Geiger) 6	+\$1449
Price Category (Geiger) 7	+\$1796
Price Category (Geiger) 8	+\$2751
Price Category 9	+\$3413
Price Category (Geiger) 10	+\$3927
Price Category 11	+\$4400
Price Category 14	+\$0
Price Category (Geiger) D	+\$735
Price Category (Geiger) G	+\$1460
Price Category (Geiger) H	+\$1817
Price Category (Geiger) I	+\$2195
Price Category (Geiger) K	+\$2951
Price Category (Geiger) L	+\$3329
Price Category (Geiger) M	+\$3707
Price Category (Geiger) R	+\$7770

Step 5. Base Finish

Matte Finishes

662 toasted walnut, matte sheen A	+\$0
663 charred walnut, matte sheen A	+\$0
664 bronzed walnut, matte sheen A	+\$0
665 smoked walnut, matte sheen A	+\$0
666 coffee walnut, matte sheen A	+\$0
667 smoked paldao, quarter cut, matte sheen A	+\$0
669 warm paldao, quarter cut, matte sheen A	+\$0
66A recograin frosty ash A	+\$0
677 chocolate ash, matte sheen A	+\$0
68R recograin rosewood A	+\$0
69A recograin frosty ash A	+\$0
69R recograin rosewood A	+\$0
69T recograin teak A	+\$0
6K1 rift oak A	+\$0
ET clear on ash A	+\$0
EU oak on ash A	+\$0
EV walnut on ash A	+\$0

GOU natural walnut, flat cut, matte sheen A	+\$0
6A1 white ash A	+\$0
6K6 burnt oak A	+\$0
932 sundance anigre A	+\$0
933 caramel anigre A	+\$0
934 henna anigre A	+\$0
940 sundance cherry on maple A	+\$0
962 toasted walnut, low sheen A	+\$0
963 charred walnut, low sheen A	+\$0
964 bronzed walnut, low sheen A	+\$0
965 smoked walnut, low sheen A	+\$0
966 coffee walnut, low sheen A	+\$0
967 smoked paldao, low sheen A	+\$0
969 warm paldao, low sheen A	+\$0
972 sundance walnut A	+\$0
977 chocolate ash, low sheen A	+\$0
98R recograin rosewood A	+\$0
991 champagne ash A	+\$0
99A recograin frosty ash A	+\$0
99R recograin rosewood A	+\$0
99T recograin teak A	+\$0
9A1 white ash, quarter cut, low sheen A	+\$0
9K1 rift oak, rift cut, low sheen A	+\$0
9K6 burnt oak, rift cut, low sheen A	+\$0
G2U light brown walnut, low sheen A	+\$0
G40 dark brown walnut, low sheen A	+\$0
UX walnut on cherry A	+\$0
943 caramel cherry A	+\$0
946 cocoa cherry A	+\$0
956 cocoa sapele A	+\$0
998 ebony ash A	+\$0
ED aged cherry A	+\$0
EK medium red walnut A	+\$0

RecoGrain Veneer

66G recograin wenge A	+\$0
68W recograin walnut, flat cut, matte sheen A	+\$0
69G recograin wenge A	+\$0
69W recograin walnut, quarter cut, matte sheen A	+\$0

Recon Veneer -

96G wenge recograin, quarter cut, low sheen A	+\$0
98W recograin walnut, flat cut, low sheen A	+\$0
99G recograin wenge, quarter cut, low sheen A	+\$0
99W recograin walnut, quarter cut, low sheen A	+\$0

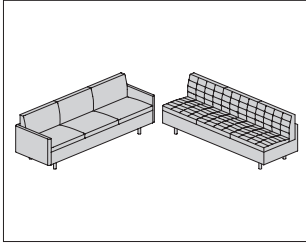
Tuxedo Classic Corner Settee

continued

Step 6. Fire Retardancy		CL	CR	ZL	ZR
NOCAL	no cal-133 required <input type="checkbox"/>	+\$0	0	0	0
133	cal-133 required <input type="checkbox"/>	+\$683	683	764	764

Tuxedo Classic Sofa

SZ3AB
SZ3AL
SZ3AN
SZ3AR



Product Information

Description

This sofa has solid wood legs with cushions made of polyfoam and DACRON®. Cushions are quilted or not quilted. The sofa is available without arms, or with arms on either the left or right side, or on both sides. Fire retardant sofa meets CAL 133 requirements.

Notes

For arm on right (AR) configuration, sofa connects to adjacent seat on the left.

For arm on left (AL) configuration, sofa connects to adjacent seat on the right.

For arms on left and right (AB), sofa connects to adjacent seat on left and right.

Handedness is determined from a seated position.

Customer's Own Material (COM)/Customer's Own Leather (COL) requires the following:

Type—COM—COL

SZ3ANN—11½ yards—207 square feet

SZ3ANQ—11½ yards—207 square feet

SZ3ABN—14 yards—252 square feet

SZ3ABQ—14 yards—252 square feet

SZ3ALN—12¾ yards—229½ square feet

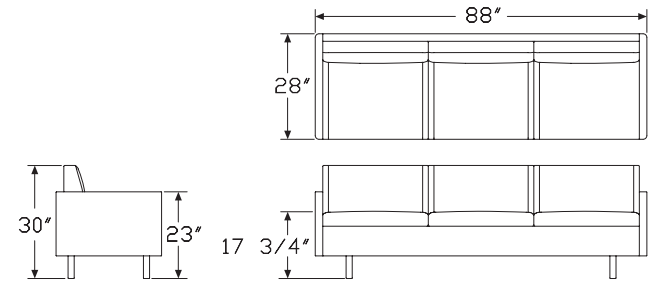
SZ3ALQ—12¾ yards—229½ square feet

SZ3ARN—12¾ yards—229½ square feet

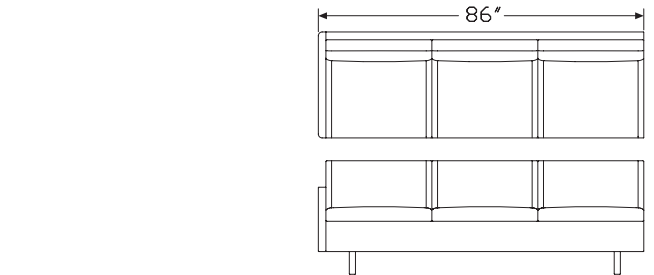
SZ3ARQ—12¾ yards—229½ square feet

See Order Information in Appendices for more information.

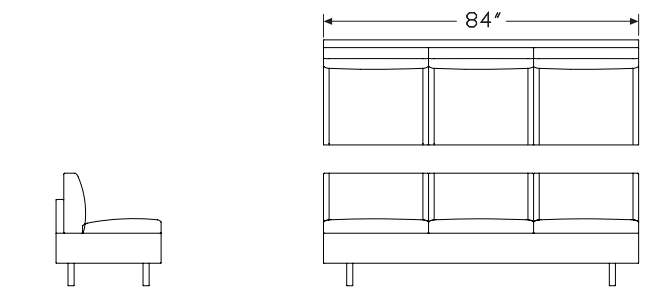
Dimensions



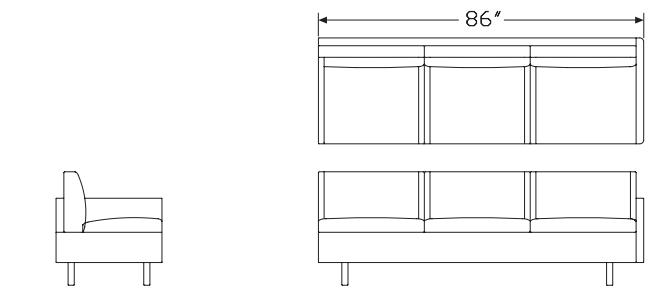
Sofa



Connecting Sofa - Arm Right



Connecting Sofa - Armless



Connecting Sofa - Arm Left

Herman Miller Collection—Sofas

Specification Information

Step 1.

SZ3 A

Step 2. Arms

AN armless A

AB arms on left and right A

AL arm on left A

AR arm on right A

Step 3. Upholstery Type

N not quilted A

Q quilted A

Prices for Steps 1-3.

SZ3AN	N	\$4455
	Q	\$4950
SZ3AB	N	\$5290
	Q	\$5680
SZ3AL	N	\$4925
	Q	\$5315
SZ3AR	N	\$4925
	Q	\$5315

Step 4. Fabric

For not quilted (N)

	AN	AB	AL	AR
Price Category (Geiger) COM <input type="checkbox"/> A	+\$0	0	0	0
Price Category (Geiger) COL <input type="checkbox"/> A	+\$828	1008	918	918
Price Category 1	+\$0	0	0	0
Price Category (Geiger) 2	+\$541	658	599	599
Price Category 2	+\$541	658	599	599
Price Category (Geiger) 3	+\$679	826	752	752
Price Category 3	+\$679	826	752	752
Price Category (Geiger) 4	+\$828	1008	918	918
Price Category (Geiger) 5	+\$1208	1470	1339	1339
Price Category 5	+\$1208	1470	1339	1339
Price Category (Geiger) 6	+\$1587	1932	1760	1760
Price Category (Geiger) 7	+\$1967	2394	2180	2180
Price Category (Geiger) 8	+\$3013	3668	3341	3341
Price Category (Geiger) 9	+\$3738	4550	4144	4144
Price Category 9	+\$3738	4550	4144	4144
Price Category (Geiger) 10	+\$4301	5236	4769	4769
Price Category 11	+\$4819	5866	5342	5342
Price Category 14	+\$0	0	0	0
Price Category (Geiger) D	+\$805	980	893	893
Price Category (Geiger) G	+\$1599	1946	1772	1772
Price Category (Geiger) H	+\$1990	2422	2206	2206
Price Category (Geiger) I	+\$2404	2926	2665	2665
Price Category (Geiger) K	+\$3232	3934	3583	3583
Price Category (Geiger) L	+\$3646	4438	4042	4042
Price Category (Geiger) M	+\$4060	4942	4501	4501

Tuxedo Classic Sofa *continued*

For quilted (Q)

	AN	AB	AL	AR
Price Category (Geiger) COM A	+\$0	0	0	0
Price Category (Geiger) COL A	+\$828	1008	918	918
Price Category 1	+\$0	0	0	0
Price Category (Geiger) 2	+\$541	658	599	599
Price Category 2	+\$541	658	599	599
Price Category (Geiger) 3	+\$679	826	752	752
Price Category 3	+\$679	826	752	752
Price Category (Geiger) 4	+\$828	1008	918	918
Price Category (Geiger) 5	+\$1208	1470	1339	1339
Price Category 5	+\$1208	1470	1339	1339
Price Category (Geiger) 6	+\$1587	1932	1760	1760
Price Category (Geiger) 7	+\$1967	2394	2180	2180
Price Category (Geiger) 8	+\$3013	3668	3341	3341
Price Category 9	+\$3738	4550	4144	4144
Price Category (Geiger) 10	+\$4301	5236	4769	4769
Price Category 11	+\$4819	5866	5342	5342
Price Category 14	+\$0	0	0	0
Price Category (Geiger) D	+\$805	980	893	893
Price Category (Geiger) G	+\$1599	1946	1772	1772
Price Category (Geiger) H	+\$1990	2422	2206	2206
Price Category (Geiger) I	+\$2404	2926	2665	2665
Price Category (Geiger) K	+\$3232	3934	3583	3583
Price Category (Geiger) L	+\$3646	4438	4042	4042
Price Category (Geiger) M	+\$4060	4942	4501	4501

Step 5. Base Finish

Matte Finishes

662	toasted walnut, matte sheen A	+\$0
663	charred walnut, matte sheen A	+\$0
664	bronzed walnut, matte sheen A	+\$0
665	smoked walnut, matte sheen A	+\$0
666	coffee walnut, matte sheen A	+\$0
667	smoked paldao, quarter cut, matte sheen A	+\$0
669	warm paldao, quarter cut, matte sheen A	+\$0
66A	recograin frosty ash A	+\$0
677	chocolate ash, matte sheen A	+\$0
68R	recograin rosewood A	+\$0
69A	recograin frosty ash A	+\$0
69R	recograin rosewood A	+\$0
69T	recograin teak A	+\$0
6K1	rift oak A	+\$0
ET	clear on ash A	+\$0
EU	oak on ash A	+\$0
EV	walnut on ash A	+\$0

GOU	natural walnut, flat cut, matte sheen A	+\$0
6A1	white ash A	+\$0
6K6	burnt oak A	+\$0
932	sundance anigre A	+\$0
933	caramel anigre A	+\$0
934	henna anigre A	+\$0
940	sundance cherry on maple A	+\$0
962	toasted walnut, low sheen A	+\$0
963	charred walnut, low sheen A	+\$0
964	bronzed walnut, low sheen A	+\$0
965	smoked walnut, low sheen A	+\$0
966	coffee walnut, low sheen A	+\$0
967	smoked paldao, low sheen A	+\$0
969	warm paldao, low sheen A	+\$0
972	sundance walnut A	+\$0
977	chocolate ash, low sheen A	+\$0
98R	recograin rosewood A	+\$0
991	champagne ash A	+\$0
99A	recograin frosty ash A	+\$0
99R	recograin rosewood A	+\$0
99T	recograin teak A	+\$0
9A1	white ash, quarter cut, low sheen A	+\$0
9K1	rift oak, rift cut, low sheen A	+\$0
9K6	burnt oak, rift cut, low sheen A	+\$0
G2U	light brown walnut, low sheen A	+\$0
G40	dark brown walnut, low sheen A	+\$0
UX	walnut on cherry A	+\$0
943	caramel cherry A	+\$0
946	cocoa cherry A	+\$0
956	cocoa sapele A	+\$0
998	ebony ash A	+\$0
ED	aged cherry A	+\$0
EK	medium red walnut A	+\$0

RecoGrain Veneer

66G	recograin wenge A	+\$0
68W	recograin walnut, flat cut, matte sheen A	+\$0
69G	recograin wenge A	+\$0
69W	recograin walnut, quarter cut, matte sheen A	+\$0

Recon Veneer -

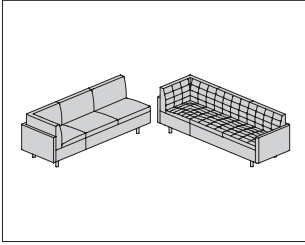
96G	wenge recograin, quarter cut, low sheen A	+\$0
98W	recograin walnut, flat cut, low sheen A	+\$0
99G	recograin wenge, quarter cut, low sheen A	+\$0
99W	recograin walnut, quarter cut, low sheen A	+\$0

Tuxedo Classic Sofa *continued*

Step 6. Fire Retardancy		AN	AB	AL	AR
NOCAL	no cal-133 required <input type="checkbox"/>	+\$0	0	0	0
133	cal-133 required <input type="checkbox"/>	+\$748	910	829	829

Tuxedo Classic Corner Sofa

SZ3CL
SZ3CR
SZ3ZL
SZ3ZR



Product Information

Description

This corner sofa has solid wood legs with cushions made of polyfoam and DACRON®. Cushions are quilted or not quilted. The sofa is available with the corner on the left or right side and with or without an arm on the opposite side. Fire retardant sofa meets CAL 133 requirements.

Notes

Handedness is determined from a seated position.

Customer's Own Material (COM)/Customer's Own Leather (COL) requires the following:

Type—COM—COL

SZ3CRN—14½ yards—261 square feet

SZ3CRQ—14½ yards—261 square feet

SZ3CLN—14½ yards—261 square feet

SZ3CLQ—14½ yards—261 square feet

SZ3ZRN—15¾ yards—284 square feet

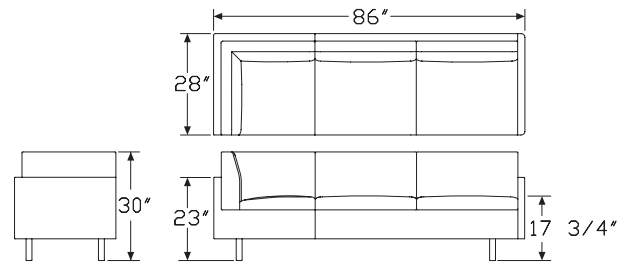
SZ3ZRQ—15¾ yards—284 square feet

SZ3ZLN—15¾ yards—284 square feet

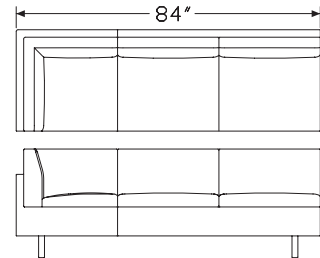
SZ3ZLQ—15¾ yards—284 square feet

See Order Information in Appendices for more information.

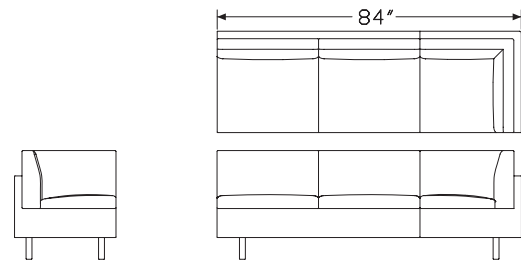
Dimensions



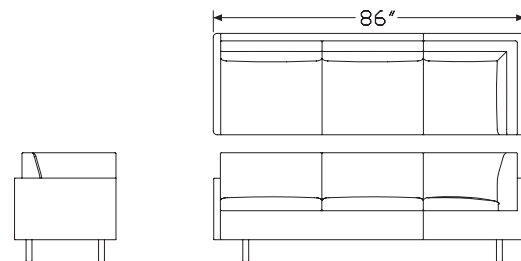
Corner Sofa with Arm - Right



Corner Sofa - Right



Corner Sofa - Left



Corner Sofa with Arm - Left

Tuxedo Classic Corner Sofa *continued*

Specification Information

Step 1.

SZ3 A

Step 2. Arms

- CL** corner left A
- CR** corner right A
- ZL** corner on left with arm on right A
- ZR** corner on right with arm on left A

Step 3. Upholstery Type

- N** not quilted A
- Q** quilted A

Prices for Steps 1-3.

SZ3CL	N	\$5360
	Q	\$5800
SZ3CR	N	\$5360
	Q	\$5800
SZ3ZL	N	\$5720
	Q	\$6165
SZ3ZR	N	\$5720
	Q	\$6165

Step 4. Fabric

For not quilted (N)

Price Category (Geiger) COM	<input type="checkbox"/> A	+\$0
Price Category (Geiger) COL	<input type="checkbox"/> A	+\$1044
Price Category 1		+\$0
Price Category (Geiger) 2		+\$682
Price Category 2		+\$682
Price Category (Geiger) 3		+\$856
Price Category 3		+\$856
Price Category (Geiger) 4		+\$1044
Price Category (Geiger) 5		+\$1523
Price Category 5		+\$1523
Price Category (Geiger) 6		+\$2001
Price Category (Geiger) 7		+\$2480
Price Category (Geiger) 8		+\$3799
Price Category (Geiger) 9		+\$4713
Price Category 9		+\$4713
Price Category (Geiger) 10		+\$5423
Price Category 11		+\$6076
Price Category 14		+\$0
Price Category (Geiger) D		+\$1015
Price Category (Geiger) G		+\$2016
Price Category (Geiger) H		+\$2509
Price Category (Geiger) I		+\$3031
Price Category (Geiger) K		+\$4075
Price Category (Geiger) L		+\$4597
Price Category (Geiger) M		+\$5119
Price Category (Geiger) R		+\$10730

For quilted (Q)

Price Category (Geiger) COM A	+\$0
Price Category (Geiger) COL A	+\$1044
Price Category 1	+\$0
Price Category (Geiger) 2	+\$682
Price Category 2	+\$682
Price Category (Geiger) 3	+\$856
Price Category 3	+\$856
Price Category (Geiger) 4	+\$1044
Price Category (Geiger) 5	+\$1523
Price Category 5	+\$1523
Price Category (Geiger) 6	+\$2001
Price Category (Geiger) 7	+\$2480
Price Category (Geiger) 8	+\$3799
Price Category 9	+\$4713
Price Category (Geiger) 10	+\$5423
Price Category 11	+\$6076
Price Category 14	+\$0
Price Category (Geiger) D	+\$1015
Price Category (Geiger) G	+\$2016
Price Category (Geiger) H	+\$2509
Price Category (Geiger) I	+\$3031
Price Category (Geiger) K	+\$4075
Price Category (Geiger) L	+\$4597
Price Category (Geiger) M	+\$5119
Price Category (Geiger) R	+\$10730

Step 5. Base Finish

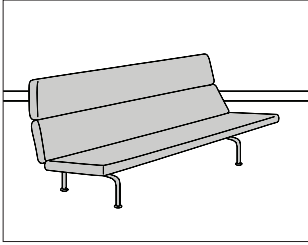
Matte Finishes

662 toasted walnut, matte sheen A	+\$0
663 charred walnut, matte sheen A	+\$0
664 bronzed walnut, matte sheen A	+\$0
665 smoked walnut, matte sheen A	+\$0
666 coffee walnut, matte sheen A	+\$0
667 smoked paldao, quarter cut, matte sheen A	+\$0
669 warm paldao, quarter cut, matte sheen A	+\$0
66A recograin frosty ash A	+\$0
677 chocolate ash, matte sheen A	+\$0
68R recograin rosewood A	+\$0
69A recograin frosty ash A	+\$0
69R recograin rosewood A	+\$0
69T recograin teak A	+\$0
6K1 rift oak A	+\$0
ET clear on ash A	+\$0
EU oak on ash A	+\$0
EV walnut on ash A	+\$0

GOU natural walnut, flat cut, matte sheen A	+\$0
6A1 white ash A	+\$0
6K6 burnt oak A	+\$0
932 sundance anigre A	+\$0
933 caramel anigre A	+\$0
934 henna anigre A	+\$0
940 sundance cherry on maple A	+\$0
962 toasted walnut, low sheen A	+\$0
963 charred walnut, low sheen A	+\$0
964 bronzed walnut, low sheen A	+\$0
965 smoked walnut, low sheen A	+\$0
966 coffee walnut, low sheen A	+\$0
967 smoked paldao, low sheen A	+\$0
969 warm paldao, low sheen A	+\$0
972 sundance walnut A	+\$0
977 chocolate ash, low sheen A	+\$0
98R recograin rosewood A	+\$0
991 champagne ash A	+\$0
99A recograin frosty ash A	+\$0
99R recograin rosewood A	+\$0
99T recograin teak A	+\$0
9A1 white ash, quarter cut, low sheen A	+\$0
9K1 rift oak, rift cut, low sheen A	+\$0
9K6 burnt oak, rift cut, low sheen A	+\$0
G2U light brown walnut, low sheen A	+\$0
G40 dark brown walnut, low sheen A	+\$0
UX walnut on cherry A	+\$0
943 caramel cherry A	+\$0
946 cocoa cherry A	+\$0
956 cocoa sapele A	+\$0
998 ebony ash A	+\$0
ED aged cherry A	+\$0
EK medium red walnut A	+\$0
66G recograin wenge A	+\$0
68W recograin walnut, flat cut, matte sheen A	+\$0
69G recograin wenge A	+\$0
69W recograin walnut, quarter cut, matte sheen A	+\$0
96G wenge recograin, quarter cut, low sheen A	+\$0
98W recograin walnut, flat cut, low sheen A	+\$0
99G recograin wenge, quarter cut, low sheen A	+\$0
99W recograin walnut, quarter cut, low sheen A	+\$0

Step 6. Fire Retardancy

	CL	CR	ZL	ZR
NOCAL no cal-133 required A	+\$0	0	0	0
133 cal-133 required A	+\$943	943	1024	1024



Product Information

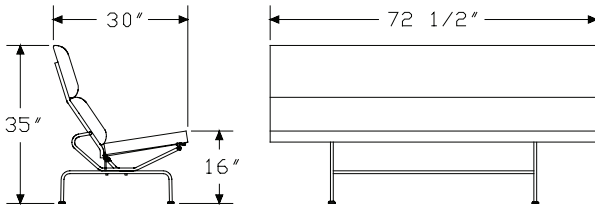
Description

This sofa has 2½"-thick upholstered foam cushions supported by a black enameled frame. It has polished chrome-plated legs and stainless steel glides. All fabrics are railroaded.

Notes

Customer's Own Material (COM) requires 6 yards. See Order Information in Appendices.

Dimensions



HermanMiller Collection—Sofas

Specification Information

Step 1.

473 [A] \$5502

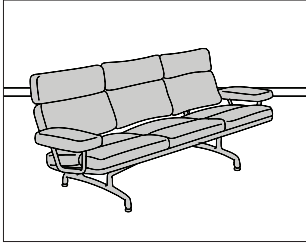
Step 2. Fabric

See application chart and textiles list for fabric usage and numbers. First 2 digits of number indicate fabric line; remaining digit(s) indicate fabric color.

Price Category 1	+\$0
Price Category 2	+\$97
Price Category 3	+\$134
Price Category (Geiger) 3	+\$134
Price Category 4	+\$252
Price Category (Geiger) 4	+\$252
Price Category 5	+\$411
Price Category (Geiger) 5	+\$523
Price Category 6	+\$590
Price Category (Geiger) 6	+\$708
Price Category 7	+\$750
Price Category (Geiger) 7	+\$967
Price Category 8	+\$1572
Price Category 10	+\$1884
Price Category (Geiger) 10	+\$1884
Price Category 14	+\$2466
Price Category B	+\$168
Price Category C	+\$251
Price Category D	+\$334
Price Category E	+\$418
Price Category F	+\$547
Price Category G	+\$710
Price Category H	+\$864
Price Category I	+\$1015
Price Category J	+\$1167
Price Category K	+\$1318
Price Category L	+\$1470
Price Category M	+\$1621
Price Category N	+\$1773
Price Category O	+\$1924
Price Category P	+\$2076
Price Category Q	+\$2235
Price Category R	+\$3631
Price Category S	+\$2568
Price Category X	+\$4940
Price Category Y	+\$5202

Eames® Sofa

ES108
ES110



Product Information

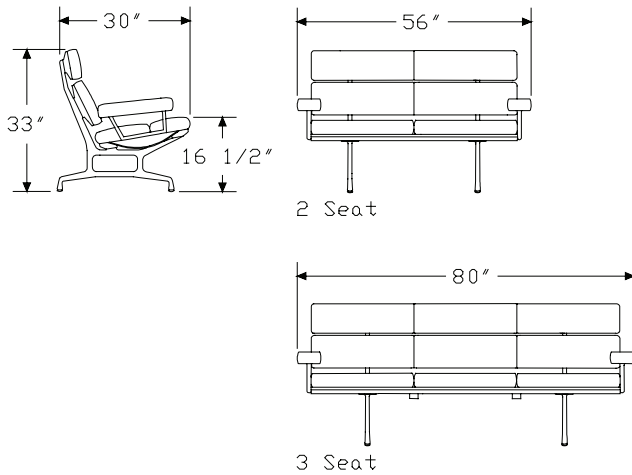
Description

This sofa has 2"-thick upholstered foam cushions and a polished chrome-plated frame with nylon glides. The back panels are hand-finished solid walnut or solid teak.

Notes

Customer's Own Material (COM) requires 4½ yards for 2-seat sofa and 6½ yards for 3-seat sofa. Customer's Own Leather (COL) requires 100 square feet for 2-seat sofa and 125 square feet for 3-seat sofa. See Order Information in Appendices.

Dimensions



Specification Information

Step 1.

ES1 A

Step 2. Number of Seats

08 3 seats A

10 2 seats A

Prices for Steps 1-2.

ES108	\$11437
ES110	\$10231

Step 3. Back Finish

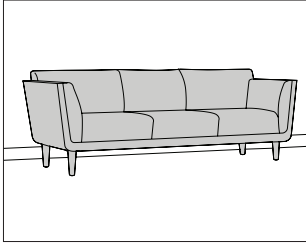
		08	10
5Q	oiled walnut <input type="checkbox"/> A	+\$0	0
OT	teak <input type="checkbox"/> A	+\$775	725

Step 4. Base Finish

CD	polished aluminum <input type="checkbox"/> A	+\$0
-----------	--	------

Step 5. Fabric
 See application chart and textiles list for fabric usage and numbers.
 First 2 digits of number indicate fabric line; remaining digit(s) indicate fabric color.

	08	10
Price Category 1 A	+\$0	0
Price Category 3	+\$204	181
Price Category (Geiger) 4	+\$333	272
Price Category 5	+\$557	492
Price Category 7	+\$608	516
Price Category (Geiger) 7	+\$608	516
Price Category 9	+\$1611	1271
Price Category (Geiger) 10	+\$1320	1436
Price Category 10M	+\$2845	2276
Price Category 11	+\$2255	1729
Price Category (Geiger) 11	+\$2255	1729
Price Category C	+\$302	292
Price Category D	+\$382	382
Price Category E	+\$462	462
Price Category F	+\$597	597
Price Category G	+\$776	706
Price Category H	+\$943	943
Price Category I	+\$1108	1108
Price Category J	+\$1274	1274
Price Category K	+\$1439	1439
Price Category L	+\$1604	1604
Price Category M	+\$1770	1770
Price Category N	+\$1935	1935
Price Category O	+\$2100	2100
Price Category P	+\$2266	2266
Price Category Q	+\$2439	2439
Price Category R	+\$3790	2602
Price Category S	+\$2803	2803
Price Category V	+\$6084	4056



Product Information

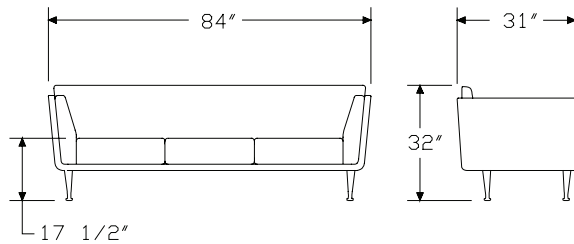
Description

This sofa has a molded veneer frame that wraps around the sides and back. It has 7"-thick upholstered foam cushions and 4 polished cast-aluminum legs with nonadjustable nylon glides.

Notes

Santos palisander veneer is celebrated for its unique grain and color variations. Similar products ordered in multiples or dissimilar products ordered separately should be expected to have variation in both grain and color characteristics; no two products will look exactly alike. Customer's Own Material (COM) requires 10 yards (8 yards for Seat/Back, 2 yards for Accent). Customer's Own Leather (COL) requires 156 square feet. See Order Information in Appendices.

Dimensions



Specification Information

Step 1.

GS100. [A] \$6320

Step 2. Frame Finish

OU	walnut [A]	+\$0
EN	ebony [A]	+\$50
A2	white ash [A]	+\$225
9N	santos palisander [A]	+\$3305

Step 3. Seat/Back Fabric

See application chart and textiles list for fabric usage and numbers. First 2 digits of number indicate fabric line; remaining digit(s) indicate fabric color.

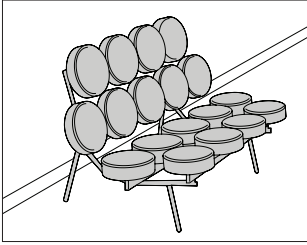
Price Category 1	+\$0
Price Category 2	+\$189
Price Category 3	+\$216
Price Category (Geiger) 3	+\$216
Price Category 4	+\$303
Price Category (Geiger) 4	+\$303
Price Category 5	+\$332
Price Category (Geiger) 5	+\$332
Price Category 6	+\$460
Price Category (Geiger) 6	+\$460
Price Category 7	+\$523
Price Category (Geiger) 7	+\$523
Price Category 8	+\$988
Price Category (Geiger) 8	+\$988
Price Category 9	+\$1383
Price Category (Geiger) 9	+\$1383
Price Category 10	+\$1729
Price Category 10M	+\$2809
Price Category (Geiger) 10	+\$1729
Price Category 11	+\$2075
Price Category (Geiger) 11	+\$2075
Price Category 14	+\$2470
Price Category B	+\$140
Price Category C	+\$209
Price Category D	+\$278
Price Category E	+\$348
Price Category F	+\$488
Price Category G	+\$626
Price Category H	+\$834
Price Category I	+\$1043
Price Category J	+\$1251
Price Category K	+\$1459
Price Category L	+\$1645

Price Category M	+\$2065
Price Category N	+\$3700
Price Category O	+\$3800
Price Category P	+\$4375
Price Category Q	+\$4950
Price Category R	+\$2340
Price Category S	+\$5720
Price Category V	+\$3651
Price Category X	+\$7259
Price Category Y	+\$7644

Price Category L	+\$1645
Price Category M	+\$2065
Price Category N	+\$3700
Price Category O	+\$3800
Price Category P	+\$4375
Price Category Q	+\$4950
Price Category R	+\$2340
Price Category S	+\$5720
Price Category V	+\$3651
Price Category X	+\$7259
Price Category Y	+\$7644

Step 4. Accent Fabric
 See application chart and textiles list for fabric usage and numbers.
 First 2 digits of number indicate fabric line; remaining digit(s) indicate fabric color.

Price Category 1	+\$0
Price Category 2	+\$189
Price Category 3	+\$216
Price Category (Geiger) 3	+\$216
Price Category 4	+\$303
Price Category (Geiger) 4	+\$303
Price Category 5	+\$332
Price Category (Geiger) 5	+\$332
Price Category 6	+\$460
Price Category (Geiger) 6	+\$460
Price Category 7	+\$523
Price Category (Geiger) 7	+\$523
Price Category 8	+\$0
Price Category (Geiger) 8	+\$987
Price Category 9	+\$1383
Price Category (Geiger) 9	+\$1383
Price Category 10	+\$1729
Price Category 10M	+\$1346
Price Category (Geiger) 10	+\$1729
Price Category 11	+\$2075
Price Category (Geiger) 11	+\$2075
Price Category 14	+\$2470
Price Category B	+\$140
Price Category C	+\$209
Price Category D	+\$278
Price Category E	+\$348
Price Category F	+\$488
Price Category G	+\$626
Price Category H	+\$834
Price Category I	+\$1043
Price Category J	+\$1251
Price Category K	+\$1459



Product Information

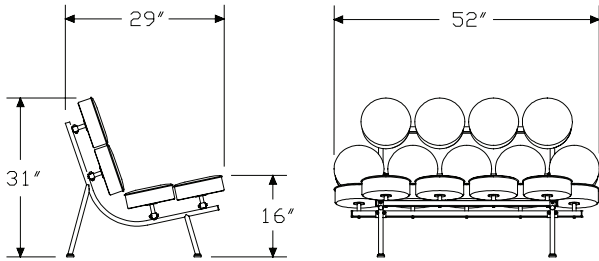
Description

This upholstered sofa has 18 circular cushions on the back and seat, a brushed-finish tubular-steel frame, and black-satin-finish legs.

Notes

Customer's Own Material (COM) requires 3¾ yards. Customer's Own Leather (COL) requires 62 square feet. See Order Information in Appendices.

Dimensions



Specification Information

Step 1.

5670 [A] \$5467

Step 2. Fabric

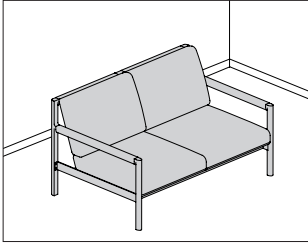
See application chart and textiles list for fabric usage and numbers.

First 2 digits of number indicate fabric line; remaining digit(s) indicate fabric color.

Price Category 1	+ \$0
Price Category 2	+ \$0
Price Category 7 [A]	+ \$1000
Price Category 9	+ \$1400
Price Category 11	+ \$1540
Price Category (Geiger) 11	+ \$1540

Brabo Settee

SVV5A
SVV5W



Product Information

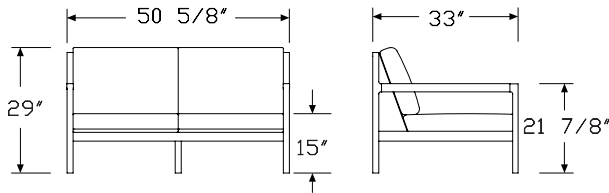
Description

This settee has a solid ash or solid walnut frame with steel-plated metal, leather sling and arm wrap, and upholstered foam cushions.

Notes

Customers Own Material (COM) requires 4 yards for the back and seat cushions. Customers Own Leather (COL) requires 72 square feet for the back and seat cushions, and an additional 54 square feet for the sling and arm wrap. See Order Information in Appendices.

Dimensions



HermanMiller Collection—Sofas

Specification Information

Step 1.

SVV5

Step 2. Frame Finish

A ash

W walnut

Prices for Steps 1-2.

SVV5A \$4706

SVV5W \$4911

Step 3. Wood Finish

Anigre Veneer - Low Sheen

For ash (A)

967 smoked paldao, low sheen +\$0

969 warm paldao, low sheen +\$0

Premium Veneer - Low Sheen

For ash (A)

940 sundance cherry on maple +\$0

943 caramel cherry +\$0

946 cocoa cherry +\$0

956 cocoa sapele +\$0

962 toasted walnut, low sheen +\$0

963 charred walnut, low sheen +\$0

964 bronzed walnut, low sheen +\$0

965 smoked walnut, low sheen +\$0

966 coffee walnut, low sheen +\$0

977 chocolate ash, low sheen +\$0

98R recograin rosewood +\$0

991 champagne ash +\$0

998 ebony ash +\$0

99A recograin frosty ash +\$0

99R recograin rosewood +\$0

99T recograin teak +\$0

9A1 white ash, quarter cut, low sheen +\$0

9K1 rift oak, rift cut, low sheen +\$0

9K6 burnt oak, rift cut, low sheen +\$0

ED aged cherry +\$0

EK medium red walnut +\$0

G2U light brown walnut, low sheen +\$0

G40 dark brown walnut, low sheen +\$0

UX walnut on cherry +\$0

Premium Veneer - Matte		
<i>For ash (A)</i>		
66A	recograin frosty ash <input type="checkbox"/>	+\$0
677	chocolate ash, matte sheen <input type="checkbox"/>	+\$0
68R	recograin rosewood <input type="checkbox"/>	+\$0
69A	recograin frosty ash <input type="checkbox"/>	+\$0
69R	recograin rosewood <input type="checkbox"/>	+\$0
69T	recograin teak <input type="checkbox"/>	+\$0
6A1	white ash <input type="checkbox"/>	+\$0
6K1	rift oak <input type="checkbox"/>	+\$0
6K6	burnt oak <input type="checkbox"/>	+\$0
ET	clear on ash <input type="checkbox"/>	+\$0
EU	oak on ash <input type="checkbox"/>	+\$0
EV	walnut on ash <input type="checkbox"/>	+\$0
GOU	natural walnut, flat cut, matte sheen <input type="checkbox"/>	+\$0

RecoGrain Veneer		
<i>For ash (A)</i>		
66G	recograin wenge <input type="checkbox"/>	+\$0
68W	recograin walnut, flat cut, matte sheen <input type="checkbox"/>	+\$0
69G	recograin wenge <input type="checkbox"/>	+\$0
69W	recograin walnut, quarter cut, matte sheen <input type="checkbox"/>	+\$0

Recon Veneer -		
<i>For ash (A)</i>		
98W	recograin walnut, flat cut, low sheen <input type="checkbox"/>	+\$0
99G	recograin wenge, quarter cut, low sheen <input type="checkbox"/>	+\$0
99W	recograin walnut, quarter cut, low sheen <input type="checkbox"/>	+\$0

Premium Veneer - Low Sheen		
<i>For walnut (W)</i>		
962	toasted walnut, low sheen <input type="checkbox"/>	+\$0
963	charred walnut, low sheen <input type="checkbox"/>	+\$0
964	bronzed walnut, low sheen <input type="checkbox"/>	+\$0
965	smoked walnut, low sheen <input type="checkbox"/>	+\$0
966	coffee walnut, low sheen <input type="checkbox"/>	+\$0
972	sundance walnut <input type="checkbox"/>	+\$0
98R	recograin rosewood <input type="checkbox"/>	+\$0
99R	recograin rosewood <input type="checkbox"/>	+\$0
EK	medium red walnut <input type="checkbox"/>	+\$0
G2U	light brown walnut, low sheen <input type="checkbox"/>	+\$0
G40	dark brown walnut, low sheen <input type="checkbox"/>	+\$0

Premium Veneer - Matte		
<i>For walnut (W)</i>		
662	toasted walnut, matte sheen <input type="checkbox"/>	+\$0
663	charred walnut, matte sheen <input type="checkbox"/>	+\$0
664	bronzed walnut, matte sheen <input type="checkbox"/>	+\$0
665	smoked walnut, matte sheen <input type="checkbox"/>	+\$0
666	coffee walnut, matte sheen <input type="checkbox"/>	+\$0
667	smoked paldao, quarter cut, matte sheen <input type="checkbox"/>	+\$0
669	warm paldao, quarter cut, matte sheen <input type="checkbox"/>	+\$0
68R	recograin rosewood <input type="checkbox"/>	+\$0
69R	recograin rosewood <input type="checkbox"/>	+\$0
GOU	natural walnut, flat cut, matte sheen <input type="checkbox"/>	+\$0

Recon Veneer -		
<i>For walnut (W)</i>		
96G	wenge recograin, quarter cut, low sheen <input type="checkbox"/>	+\$0
99G	recograin wenge, quarter cut, low sheen <input type="checkbox"/>	+\$0

Anigre Veneer - Low Sheen		
<i>For walnut (W)</i>		
967	smoked paldao, low sheen <input type="checkbox"/>	+\$0
969	warm paldao, low sheen <input type="checkbox"/>	+\$0

RecoGrain Veneer		
<i>For walnut (W)</i>		
66G	recograin wenge <input type="checkbox"/>	+\$0
69G	recograin wenge <input type="checkbox"/>	+\$0

Step 4. Seat/Back Fabric		
Price Category (Geiger) COM <input type="checkbox"/>		+\$0
Price Category (Geiger) COL <input type="checkbox"/>		+\$216
Price Category 1		+\$0
Price Category 2		+\$188
Price Category (Geiger) 3		+\$236
Price Category 3		+\$236
Price Category (Geiger) 4		+\$288
Price Category 4		+\$288
Price Category (Geiger) 5		+\$420
Price Category 5		+\$0
Price Category (Geiger) 6		+\$552
Price Category (Geiger) 7		+\$684
Price Category (Geiger) 8		+\$1048
Price Category 9		+\$1300
Price Category (Geiger) 10		+\$1496
Price Category (Geiger) 11		+\$1676
Price Category 11		+\$1676
Price Category (Geiger) 14		+\$0

Price Category (Geiger) C	+\$212
Price Category (Geiger) D	+\$280
Price Category (Geiger) E	+\$556
Price Category (Geiger) F	+\$408
Price Category (Geiger) G	+\$556
Price Category (Geiger) H	+\$692
Price Category (Geiger) I	+\$836
Price Category (Geiger) J	+\$980
Price Category (Geiger) K	+\$1124
Price Category (Geiger) L	+\$1268
Price Category (Geiger) M	+\$1412
Price Category (Geiger) N	+\$1556
Price Category (Geiger) O	+\$1700
Price Category (Geiger) P	+\$1840
Price Category (Geiger) Q	+\$2124
Price Category (Geiger) R	+\$2960
Price Category (Geiger) S	+\$3180
Price Category (Geiger) T	+\$3400
Price Category (Geiger) U	+\$3620
Price Category (Geiger) X	+\$4280
Price Category (Geiger) Y	+\$4500

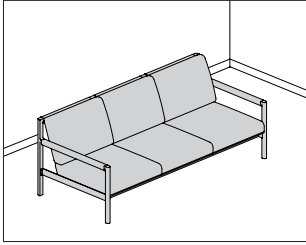
Step 5. Sling/Arm Leather	
Price Category (Geiger) 11	+\$1257
Price Category 11	+\$1257

Step 6. Base Finish	
BNZ bronze <input type="checkbox"/>	+\$0
CHR chrome <input type="checkbox"/>	+\$0
SAC satin chrome <input type="checkbox"/>	+\$0

Step 7. Fire Retardancy	
NOCAL no cal-133 required <input type="checkbox"/>	+\$0
133 cal-133 required <input type="checkbox"/>	+\$260

Brabo Sofa

SVV6A
SVV6W



Product Information

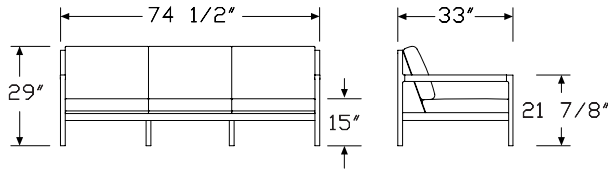
Description

This sofa has a solid ash or solid walnut frame with steel-plated metal, leather sling and arm wrap, and upholstered foam cushions.

Notes

Customers Own Material (COM) requires 6 yards for the back and seat cushions. Customers Own Leather (COL) requires 108 square feet for the back and seat cushions, and an additional 81 square feet for the sling and arm wrap. See Order Information in Appendices.

Dimensions



Specification Information

Step 1.

SVV6 A

Step 2. Frame Finish

A ash A

W walnut A

Prices for Steps 1-2.

SVV6A	\$6293
SVV6W	\$6567

Step 3. Wood Finish

Anigre Veneer - Low Sheen

For ash (A)

967	smoked paldao, low sheen <input type="checkbox"/> A	+\$0
969	warm paldao, low sheen <input type="checkbox"/> A	+\$0

Premium Veneer - Low Sheen

For ash (A)

940	sundance cherry on maple <input type="checkbox"/> A	+\$0
943	caramel cherry <input type="checkbox"/> A	+\$0
946	cocoa cherry <input type="checkbox"/> A	+\$0
956	cocoa sapele <input type="checkbox"/> A	+\$0
962	toasted walnut, low sheen <input type="checkbox"/> A	+\$0
963	charred walnut, low sheen <input type="checkbox"/> A	+\$0
964	bronzed walnut, low sheen <input type="checkbox"/> A	+\$0
965	smoked walnut, low sheen <input type="checkbox"/> A	+\$0
966	coffee walnut, low sheen <input type="checkbox"/> A	+\$0
977	chocolate ash, low sheen <input type="checkbox"/> A	+\$0
98R	recograin rosewood <input type="checkbox"/> A	+\$0
991	champagne ash <input type="checkbox"/> A	+\$0
998	ebony ash <input type="checkbox"/> A	+\$0
99A	recograin frosty ash <input type="checkbox"/> A	+\$0
99R	recograin rosewood <input type="checkbox"/> A	+\$0
99T	recograin teak <input type="checkbox"/> A	+\$0
9A1	white ash, quarter cut, low sheen <input type="checkbox"/> A	+\$0
9K1	rift oak, rift cut, low sheen <input type="checkbox"/> A	+\$0
9K6	burnt oak, rift cut, low sheen <input type="checkbox"/> A	+\$0
ED	aged cherry <input type="checkbox"/> A	+\$0
EK	medium red walnut <input type="checkbox"/> A	+\$0
G2U	light brown walnut, low sheen <input type="checkbox"/> A	+\$0
G40	dark brown walnut, low sheen <input type="checkbox"/> A	+\$0
UX	walnut on cherry <input type="checkbox"/> A	+\$0

Premium Veneer - Matte		
<i>For ash (A)</i>		
66A	recograin frosty ash <input type="checkbox"/>	+\$0
677	chocolate ash, matte sheen <input type="checkbox"/>	+\$0
68R	recograin rosewood <input type="checkbox"/>	+\$0
69A	recograin frosty ash <input type="checkbox"/>	+\$0
69R	recograin rosewood <input type="checkbox"/>	+\$0
69T	recograin teak <input type="checkbox"/>	+\$0
6A1	white ash <input type="checkbox"/>	+\$0
6K1	rift oak <input type="checkbox"/>	+\$0
6K6	burnt oak <input type="checkbox"/>	+\$0
ET	clear on ash <input type="checkbox"/>	+\$0
EU	oak on ash <input type="checkbox"/>	+\$0
EV	walnut on ash <input type="checkbox"/>	+\$0
GOU	natural walnut, flat cut, matte sheen <input type="checkbox"/>	+\$0

RecoGrain Veneer		
<i>For ash (A)</i>		
66G	recograin wenge <input type="checkbox"/>	+\$0
68W	recograin walnut, flat cut, matte sheen <input type="checkbox"/>	+\$0
69G	recograin wenge <input type="checkbox"/>	+\$0
69W	recograin walnut, quarter cut, matte sheen <input type="checkbox"/>	+\$0

Recon Veneer -		
<i>For ash (A)</i>		
98W	recograin walnut, flat cut, low sheen <input type="checkbox"/>	+\$0
99G	recograin wenge, quarter cut, low sheen <input type="checkbox"/>	+\$0
99W	recograin walnut, quarter cut, low sheen <input type="checkbox"/>	+\$0

Anigre Veneer - Low Sheen		
<i>For walnut (W)</i>		
967	smoked paldao, low sheen <input type="checkbox"/>	+\$0
969	warm paldao, low sheen <input type="checkbox"/>	+\$0

Premium Veneer - Low Sheen		
<i>For walnut (W)</i>		
962	toasted walnut, low sheen <input type="checkbox"/>	+\$0
963	charred walnut, low sheen <input type="checkbox"/>	+\$0
964	bronzed walnut, low sheen <input type="checkbox"/>	+\$0
965	smoked walnut, low sheen <input type="checkbox"/>	+\$0
966	coffee walnut, low sheen <input type="checkbox"/>	+\$0
972	sundance walnut <input type="checkbox"/>	+\$0
98R	recograin rosewood <input type="checkbox"/>	+\$0
99R	recograin rosewood <input type="checkbox"/>	+\$0
EK	medium red walnut <input type="checkbox"/>	+\$0

Premium Veneer - Matte		
<i>For walnut (W)</i>		
662	toasted walnut, matte sheen <input type="checkbox"/>	+\$0
663	charred walnut, matte sheen <input type="checkbox"/>	+\$0
664	bronzed walnut, matte sheen <input type="checkbox"/>	+\$0
665	smoked walnut, matte sheen <input type="checkbox"/>	+\$0
666	coffee walnut, matte sheen <input type="checkbox"/>	+\$0
667	smoked paldao, quarter cut, matte sheen <input type="checkbox"/>	+\$0
669	warm paldao, quarter cut, matte sheen <input type="checkbox"/>	+\$0
68R	recograin rosewood <input type="checkbox"/>	+\$0
69R	recograin rosewood <input type="checkbox"/>	+\$0

RecoGrain Veneer		
<i>For walnut (W)</i>		
66G	recograin wenge <input type="checkbox"/>	+\$0
69G	recograin wenge <input type="checkbox"/>	+\$0

Recon Veneer -		
<i>For walnut (W)</i>		
96G	wenge recograin, quarter cut, low sheen <input type="checkbox"/>	+\$0
99G	recograin wenge, quarter cut, low sheen <input type="checkbox"/>	+\$0

Matte Wood Finishes		
<i>For walnut (W)</i>		
GOU	natural walnut, flat cut, matte sheen <input type="checkbox"/>	+\$0

Step 4. Seat/Back Fabric		
Price Category (Geiger) COL <input type="checkbox"/>		+\$324
Price Category (Geiger) COM <input type="checkbox"/>		+\$0
Price Category 1		+\$0
Price Category 2		+\$282
Price Category 3		+\$354
Price Category (Geiger) 3		+\$354
Price Category 4		+\$432
Price Category (Geiger) 4		+\$432
Price Category 5		+\$420
Price Category (Geiger) 5		+\$630
Price Category (Geiger) 6		+\$828
Price Category (Geiger) 7		+\$1026
Price Category (Geiger) 8		+\$1572
Price Category 9		+\$1950
Price Category (Geiger) 10		+\$2244
Price Category 11		+\$2514
Price Category (Geiger) 11		+\$2514
Price Category (Geiger) 14		+\$0
Price Category (Geiger) C		+\$318
Price Category (Geiger) D		+\$420

Brabo Sofa *continued*

Price Category (Geiger) E	+\$510
Price Category (Geiger) F	+\$612
Price Category (Geiger) G	+\$834
Price Category (Geiger) H	+\$1038
Price Category (Geiger) I	+\$1254
Price Category (Geiger) J	+\$1470
Price Category (Geiger) K	+\$1686
Price Category (Geiger) L	+\$1902
Price Category (Geiger) M	+\$2118
Price Category (Geiger) N	+\$2334
Price Category (Geiger) O	+\$2550
Price Category (Geiger) P	+\$2760
Price Category (Geiger) Q	+\$3186
Price Category (Geiger) R	+\$4440
Price Category (Geiger) S	+\$4770
Price Category (Geiger) T	+\$5100
Price Category (Geiger) U	+\$5430
Price Category (Geiger) X	+\$6420
Price Category (Geiger) Y	+\$6750

Step 5. Sling/Arm Leather

Price Category (Geiger) 11	+\$1886
Price Category 11	+\$1886

Step 6. Base Finish

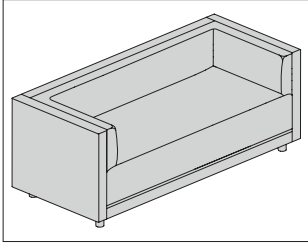
BNZ bronze <input type="checkbox"/>	+\$0
CHR chrome <input type="checkbox"/>	+\$0
SAC satin chrome <input type="checkbox"/>	+\$0

Step 7. Fire Retardancy

NOCAL no cal-133 required <input type="checkbox"/>	+\$0
133 cal-133 required <input type="checkbox"/>	+\$390

Rolled Arm Sofa

SBRA-



Product Information

Description

This sofa is made of plywood with FR foam and Dacron® on the seat and back. The arms consist of FR foam, Dacron, and polyfoam. The legs are solid ash or walnut.

Notes

Customer's Own Material (COM) and Customer's Own Leather (COL) require the following. See Order Information in Appendices for additional information.

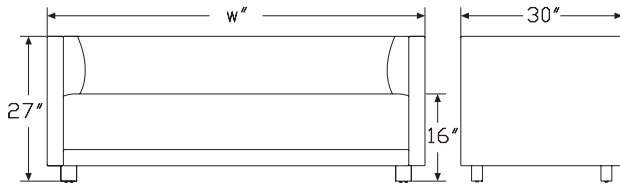
Width—COM—COL

72"—9 yards—162 square feet

84"—11 yards—198 square feet

96"—12½ yards—225 square feet

Dimensions



HermanMiller Collection—Sofas

Specification Information

Step 1.

SBRA

Step 2. Size

-72 72" wide

-84 84" wide

-96 96" wide

Prices for Steps 1-2.

SBRA-72	\$4500
SBRA-84	\$4710
SBRA-96	\$5085

Step 3. Wood Finish

Premium Veneer - Low Sheen

932	sundance anigre <input type="checkbox"/>	+\$0
933	caramel anigre <input type="checkbox"/>	+\$0
934	henna anigre <input type="checkbox"/>	+\$0
940	sundance cherry on maple <input type="checkbox"/>	+\$0
943	caramel cherry <input type="checkbox"/>	+\$0
946	cocoa cherry <input type="checkbox"/>	+\$0
956	cocoa sapele <input type="checkbox"/>	+\$0
962	toasted walnut, low sheen <input type="checkbox"/>	+\$0
963	charred walnut, low sheen <input type="checkbox"/>	+\$0
964	bronzed walnut, low sheen <input type="checkbox"/>	+\$0
965	smoked walnut, low sheen <input type="checkbox"/>	+\$0
966	coffee walnut, low sheen <input type="checkbox"/>	+\$0
967	smoked paldao, low sheen <input type="checkbox"/>	+\$0
969	warm paldao, low sheen <input type="checkbox"/>	+\$0
972	sundance walnut <input type="checkbox"/>	+\$0
977	chocolate ash, low sheen <input type="checkbox"/>	+\$0
98R	recograin rosewood <input type="checkbox"/>	+\$0
991	champagne ash <input type="checkbox"/>	+\$0
998	ebony ash <input type="checkbox"/>	+\$0
99A	recograin frosty ash <input type="checkbox"/>	+\$0
99R	recograin rosewood <input type="checkbox"/>	+\$0
99T	recograin teak <input type="checkbox"/>	+\$0
9A1	white ash, quarter cut, low sheen <input type="checkbox"/>	+\$0
9K1	rift oak, rift cut, low sheen <input type="checkbox"/>	+\$0
9K6	burnt oak, rift cut, low sheen <input type="checkbox"/>	+\$0
ED	aged cherry <input type="checkbox"/>	+\$0
EK	medium red walnut <input type="checkbox"/>	+\$0
G2U	light brown walnut, low sheen <input type="checkbox"/>	+\$0
G40	dark brown walnut, low sheen <input type="checkbox"/>	+\$0
UX	walnut on cherry <input type="checkbox"/>	+\$0

Rolled Arm Sofa *continued*

Premium Veneer - Matte

662	toasted walnut, matte sheen <input type="checkbox"/>	+\$0
663	charred walnut, matte sheen <input type="checkbox"/>	+\$0
664	bronzed walnut, matte sheen <input type="checkbox"/>	+\$0
665	smoked walnut, matte sheen <input type="checkbox"/>	+\$0
666	coffee walnut, matte sheen <input type="checkbox"/>	+\$0
667	smoked paldao, quarter cut, matte sheen <input type="checkbox"/>	+\$0
669	warm paldao, quarter cut, matte sheen <input type="checkbox"/>	+\$0
66A	recograin frosty ash <input type="checkbox"/>	+\$0
677	chocolate ash, matte sheen <input type="checkbox"/>	+\$0
68R	recograin rosewood <input type="checkbox"/>	+\$0
69A	recograin frosty ash <input type="checkbox"/>	+\$0
69R	recograin rosewood <input type="checkbox"/>	+\$0
69T	recograin teak <input type="checkbox"/>	+\$0
6A1	white ash <input type="checkbox"/>	+\$0
6K1	rift oak <input type="checkbox"/>	+\$0
6K6	burnt oak <input type="checkbox"/>	+\$0
ET	clear on ash <input type="checkbox"/>	+\$0
EU	oak on ash <input type="checkbox"/>	+\$0
EV	walnut on ash <input type="checkbox"/>	+\$0
GOU	natural walnut, flat cut, matte sheen <input type="checkbox"/>	+\$0

RecoGrain Veneer

66G	recograin wenge <input type="checkbox"/>	+\$0
68W	recograin walnut, flat cut, matte sheen <input type="checkbox"/>	+\$0
69G	recograin wenge <input type="checkbox"/>	+\$0
69W	recograin walnut, quarter cut, matte sheen <input type="checkbox"/>	+\$0

Recon Veneer -

96G	wenge recograin, quarter cut, low sheen <input type="checkbox"/>	+\$0
98W	recograin walnut, flat cut, low sheen <input type="checkbox"/>	+\$0
99G	recograin wenge, quarter cut, low sheen <input type="checkbox"/>	+\$0
99W	recograin walnut, quarter cut, low sheen <input type="checkbox"/>	+\$0

Step 4. Upholstery

For 72" wide (-72)

Price Category 1	+\$0
Price Category (Geiger) 2	+\$0
Price Category 2	+\$423
Price Category (Geiger) 3	+\$531
Price Category 3	+\$531
Price Category (Geiger) 4	+\$648
Price Category 4	+\$756
Price Category (Geiger) 5	+\$945
Price Category 5	+\$945
Price Category (Geiger) 6	+\$1242
Price Category (Geiger) 7	+\$1539
Price Category (Geiger) 8	+\$2358
Price Category 9	+\$2925
Price Category (Geiger) 10	+\$3366
Price Category (Geiger) 11	+\$3771
Price Category (Geiger) 14	+\$4941
Price Category (Geiger) C	+\$0
Price Category (Geiger) D	+\$788
Price Category (Geiger) E	+\$893
Price Category (Geiger) F	+\$998
Price Category (Geiger) G	+\$1103
Price Category (Geiger) H	+\$1208
Price Category (Geiger) I	+\$1881
Price Category (Geiger) J	+\$1365
Price Category (Geiger) K	+\$1523
Price Category (Geiger) L	+\$1680
Price Category (Geiger) N	+\$2100
Price Category (Geiger) P	+\$2310
Price Category (Geiger) Q	+\$4475
Price Category (Geiger) U	+\$8145
Price Category (Geiger) X	+\$9630
Price Category (Geiger) COL <input type="checkbox"/>	+\$648
Price Category (Geiger) COM <input type="checkbox"/>	+\$0

Rolled Arm Sofa *continued*

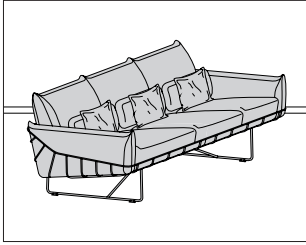
<i>For 84" wide (-84)</i>	
Price Category 1	+\$0
Price Category (Geiger) 2	+\$0
Price Category 2	+\$517
Price Category (Geiger) 3	+\$649
Price Category 3	+\$649
Price Category (Geiger) 4	+\$792
Price Category 4	+\$828
Price Category (Geiger) 5	+\$1155
Price Category 5	+\$1155
Price Category (Geiger) 6	+\$1518
Price Category (Geiger) 7	+\$1881
Price Category (Geiger) 8	+\$2882
Price Category 9	+\$3575
Price Category (Geiger) 10	+\$4114
Price Category 10	+\$0
Price Category (Geiger) 11	+\$4609
Price Category (Geiger) 14	+\$6039
Price Category (Geiger) C	+\$0
Price Category (Geiger) D	+\$863
Price Category (Geiger) E	+\$978
Price Category (Geiger) F	+\$1093
Price Category (Geiger) G	+\$1208
Price Category (Geiger) H	+\$1323
Price Category (Geiger) I	+\$2299
Price Category (Geiger) J	+\$1495
Price Category (Geiger) K	+\$1668
Price Category (Geiger) L	+\$1840
Price Category (Geiger) N	+\$2300
Price Category (Geiger) P	+\$2530
Price Category (Geiger) Q	+\$4900
Price Category (Geiger) U	+\$9955
Price Category (Geiger) X	+\$11770
Price Category (Geiger) COL A	+\$792
Price Category (Geiger) COM A	+\$0

<i>For 96" wide (-96)</i>	
Price Category 1	+\$0
Price Category (Geiger) 2	+\$0
Price Category 2	+\$588
Price Category (Geiger) 3	+\$738
Price Category 3	+\$738
Price Category (Geiger) 4	+\$900
Price Category 4	+\$900
Price Category (Geiger) 5	+\$1313
Price Category 5	+\$1313
Price Category (Geiger) 6	+\$1725
Price Category (Geiger) 7	+\$2138
Price Category (Geiger) 8	+\$3275
Price Category 9	+\$4063
Price Category (Geiger) 10	+\$4675
Price Category (Geiger) 11	+\$5238
Price Category (Geiger) 14	+\$6863
Price Category (Geiger) C	+\$0
Price Category (Geiger) D	+\$938
Price Category (Geiger) E	+\$1063
Price Category (Geiger) F	+\$1188
Price Category (Geiger) G	+\$1313
Price Category (Geiger) H	+\$1438
Price Category (Geiger) I	+\$2613
Price Category (Geiger) J	+\$1625
Price Category (Geiger) K	+\$1813
Price Category (Geiger) L	+\$2000
Price Category (Geiger) N	+\$2500
Price Category (Geiger) P	+\$2750
Price Category (Geiger) Q	+\$5325
Price Category (Geiger) U	+\$11313
Price Category (Geiger) X	+\$13375
Price Category (Geiger) COL A	+\$900
Price Category (Geiger) COM A	+\$0

Step 5. Fire Retardancy	
NOCAL no cal-133 required A	+\$0
133 cal-133 required A	+\$585
133 cal-133 required A	+\$715
133 cal-133 required A	+\$813

Wireframe™ Sofa

BK110



Product Information

Description

This sofa has contoured cushions on a separate wire frame structure, featuring SuperSeat™ technology. It is available in 2-seat or 3-seat configuration. Lumbar and throw pillows included.

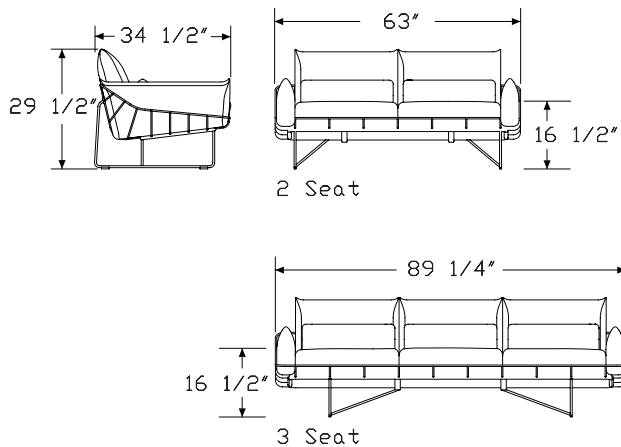
Notes

Fire retardant sofa meets CAL 133 requirements.

COM/COL requires 11 yards/198 square feet per 2-seat sofa, and 14 yards/252 square feet per 3-seat sofa.

Lumbar and throw pillows are shipped in same material specified for chair cushions.

Dimensions



Specification Information

Step 1.

BK1 A

Step 2. Size

1002 2-seat sofa A

1003 3-seat sofa A

Prices for Steps 1-2.

BK11002	\$5359
BK11003	\$6517

Step 3. Frame Finish

91 white <input type="checkbox"/> A	+ \$0
BK black <input type="checkbox"/> A	+ \$0

Step 4. Fabric

	1002	1003
Price Category 1	+ \$0	0
Price Category 2	+ \$200	250
Price Category 3	+ \$300	350
Price Category (Geiger) 3	+ \$300	350
Price Category 4	+ \$500	600
Price Category (Geiger) 4	+ \$500	600
Price Category 5	+ \$700	850
Price Category (Geiger) 5	+ \$700	850
Price Category 6	+ \$950	1100
Price Category (Geiger) 6	+ \$950	1100
Price Category 7	+ \$1250	1500
Price Category (Geiger) 7	+ \$1250	1500
Price Category 8	+ \$1600	1600
Price Category (Geiger) 8	+ \$1600	1950
Price Category 9	+ \$1950	2350
Price Category (Geiger) 9	+ \$1950	2350
Price Category 10	+ \$2350	2800
Price Category (Geiger) 10	+ \$2350	2800
Price Category 11	+ \$2700	3250
Price Category (Geiger) 11	+ \$2700	3250
Price Category 14	+ \$3750	4550
Price Category B	+ \$282	359
Price Category C	+ \$472	601
Price Category D	+ \$647	823
Price Category E	+ \$782	995
Price Category F	+ \$1010	1286
Price Category G	+ \$1312	1670
Price Category H	+ \$1595	2031
Price Category (Geiger) H	+ \$1595	2031

Herman Miller Collection - Sofas

Wireframe™ Sofa *continued*

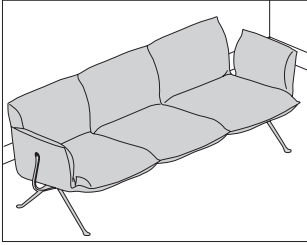
Price Category I	+\$1875	2387
Price Category J	+\$2155	2743
Price Category K	+\$2435	3099
Price Category L	+\$2715	3455
Price Category M	+\$2995	3812
Price Category N	+\$3275	4168
Price Category O	+\$3555	4524
Price Category P	+\$3834	4880
Price Category Q	+\$4128	5254
Price Category R	+\$5868	7469
Price Category S	+\$4744	6038
Price Category T	+\$5052	6430
Price Category U	+\$5360	6822
Price Category X	+\$7985	10163
Price Category Y	+\$8408	10702

Step 5. Fire Retardancy

NOCAL not fire retardant	<input type="checkbox"/>	A	+\$0
133 fire retardant	<input type="checkbox"/>	A	+\$488

Officina Sofa

SD224
SD225

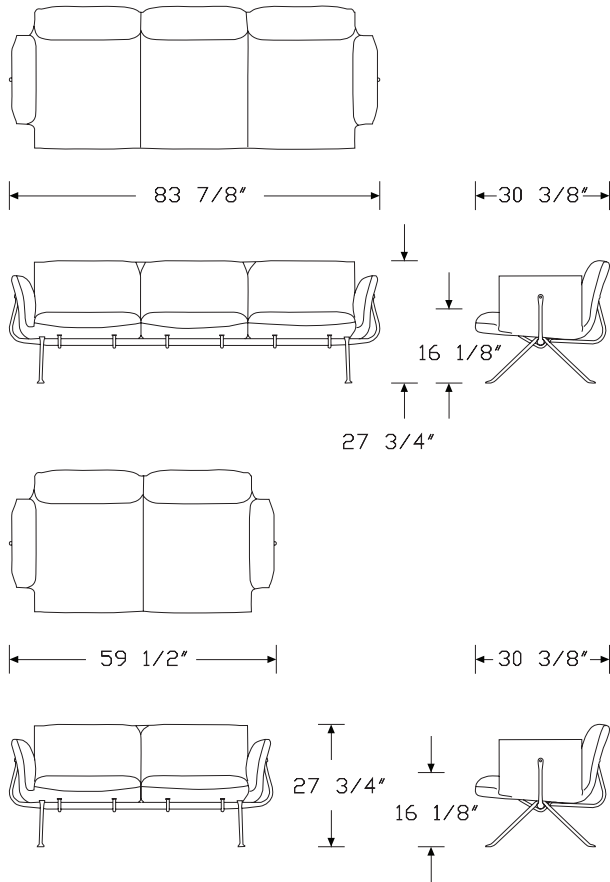


Product Information

Description

This sofa has a wrought iron frame available in galvanized or painted black finish. Seat and back are upholstered. Ships assembled.

Dimensions



Specification Information

Step 1.

SD22 A

Step 2. Configuration

4X 2-seat sofa A

5X 3-seat sofa A

Prices for Steps 1-2.

SD224X	\$4325
SD225X	\$6195

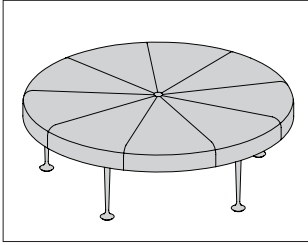
Step 3. Frame Finish

GLV galvanized A +\$0

YCB black A +\$0

Step 4. Upholstery

		4X	5X
YLQ	Glamour Azimut Velvet Yellow <input type="checkbox"/> A	+\$200	300
YLR	Torri Lana, AT1 Rico Dark Blue <input type="checkbox"/> A	+\$0	0
YLS	Divina Melange 120 <input type="checkbox"/> A	+\$600	900

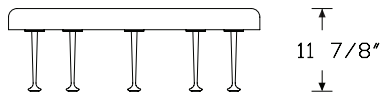
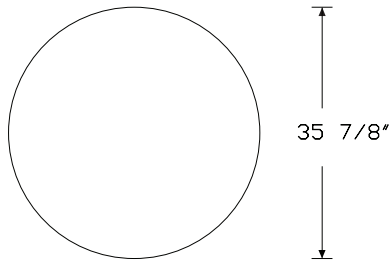


Product Information

Description

This ottoman is upholstered in either Jacobs Coat or a coordinated trio of Hallingdal colors. Legs are polished aluminum and have nonadjustable nylon glides.

Dimensions



Specification Information

Step 1.

66332 [A] \$2055

Step 2. Base Finish

L polished aluminum [A] +\$0

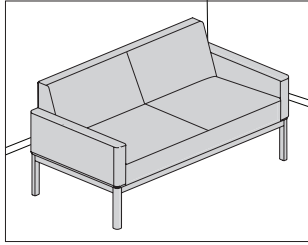
Step 3. Fabric

Price Category H +\$400

Price Category L +\$700

Wood Base Settee

TT2AA
TT2AW



Product Information

Description

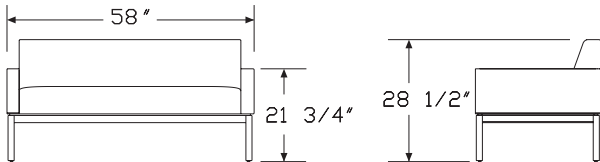
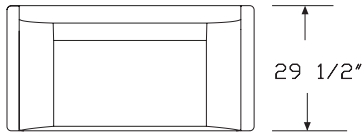
This settee has a polyurethane foam and Dacron® seat with a solid wood base. Base comes in ash or walnut.

Notes

Fire retardant settee meets CAL 133 requirements.

Customer's Own Material (COM) requires 5¼ yards. Customer's Own Leather (COL) requires 94½ square feet. See Order Information in appendices.

Dimensions



Specification Information

Step 1.

TT2 A

Step 2. Arms

A arms A

Step 3. Wood Finish

A ash A

W walnut A

Prices for Steps 1-3.

TT2AA	\$3595
TT2AW	\$3795

Step 4. Upholstery

Price Category (Geiger) COL <input type="checkbox"/> A	+\$306
Price Category (Geiger) COM <input type="checkbox"/> A	+\$0
Price Category 1	+\$0
Price Category (Geiger) 2	+\$200
Price Category 2	+\$0
Price Category (Geiger) 3	+\$251
Price Category 3	+\$0
Price Category (Geiger) 4	+\$306
Price Category (Geiger) 5	+\$446
Price Category 5	+\$445
Price Category (Geiger) 6	+\$0
Price Category (Geiger) 7	+\$727
Price Category (Geiger) 8	+\$1114
Price Category (Geiger) 10	+\$1381
Price Category (Geiger) 11	+\$1781
Price Category 11	+\$1781

Step 5. Leg Finish

Low Sheen Finishes (on Ash)

For ash (A)

967 smoked paldao, low sheen <input type="checkbox"/> A	+\$0
969 warm paldao, low sheen <input type="checkbox"/> A	+\$0

Low Sheen Finishes (on Ash)

For ash (A)

940	sundance cherry on maple A	+\$0
943	caramel cherry A	+\$0
946	cocoa cherry A	+\$0
956	cocoa sapele A	+\$0
962	toasted walnut, low sheen A	+\$0
963	charred walnut, low sheen A	+\$0
964	bronzed walnut, low sheen A	+\$0
965	smoked walnut, low sheen A	+\$0
966	coffee walnut, low sheen A	+\$0
977	chocolate ash, low sheen A	+\$0
98R	recograin rosewood A	+\$0
991	champagne ash A	+\$0
998	ebony ash A	+\$0
99A	recograin frosty ash A	+\$0
99R	recograin rosewood A	+\$0
99T	recograin teak A	+\$0
9A1	white ash, quarter cut, low sheen A	+\$0
9K1	rift oak, rift cut, low sheen A	+\$0
9K6	burnt oak, rift cut, low sheen A	+\$0
ED	aged cherry A	+\$0
EK	medium red walnut A	+\$0
G2U	light brown walnut, low sheen A	+\$0
G40	dark brown walnut, low sheen A	+\$0
UX	walnut on cherry A	+\$0

Low Sheen Finishes (on Ash)

For ash (A)

98W	recograin walnut, flat cut, low sheen A	+\$0
99G	recograin wenge, quarter cut, low sheen A	+\$0
99W	recograin walnut, quarter cut, low sheen A	+\$0

Matte Sheen Finishes (on Ash)

For ash (A)

66A	recograin frosty ash A	+\$0
677	chocolate ash, matte sheen A	+\$0
68R	recograin rosewood A	+\$0
69A	recograin frosty ash A	+\$0
69R	recograin rosewood A	+\$0
69T	recograin teak A	+\$0
6A1	white ash A	+\$0
6K1	rift oak A	+\$0
6K6	burnt oak A	+\$0
ET	clear on ash A	+\$0
EU	oak on ash A	+\$0
EV	walnut on ash A	+\$0
GOU	natural walnut, flat cut, matte sheen A	+\$0

Matte Sheen Finishes (on Ash)

For ash (A)

66G	recograin wenge A	+\$0
68W	recograin walnut, flat cut, matte sheen A	+\$0
69G	recograin wenge A	+\$0
69W	recograin walnut, quarter cut, matte sheen A	+\$0

Low Sheen Finishes (on Walnut)

For walnut (W)

967	smoked paldao, low sheen A	+\$0
969	warm paldao, low sheen A	+\$0

Low Sheen Finishes (on Walnut)

For walnut (W)

962	toasted walnut, low sheen A	+\$0
963	charred walnut, low sheen A	+\$0
964	bronzed walnut, low sheen A	+\$0
965	smoked walnut, low sheen A	+\$0
966	coffee walnut, low sheen A	+\$0
972	sundance walnut A	+\$0
98R	recograin rosewood A	+\$0
99R	recograin rosewood A	+\$0
EK	medium red walnut A	+\$0
G2U	light brown walnut, low sheen A	+\$0
G40	dark brown walnut, low sheen A	+\$0

Low Sheen Finishes (on Walnut)

For walnut (W)

96G	wenge recograin, quarter cut, low sheen A	+\$0
99G	recograin wenge, quarter cut, low sheen A	+\$0

Wood Base Settee *continued*

Matte Sheen Finishes (on Walnut)

For walnut (W)

662	toasted walnut, matte sheen	<input type="checkbox"/> A	+\$0
663	charred walnut, matte sheen	<input type="checkbox"/> A	+\$0
664	bronzed walnut, matte sheen	<input type="checkbox"/> A	+\$0
665	smoked walnut, matte sheen	<input type="checkbox"/> A	+\$0
666	coffee walnut, matte sheen	<input type="checkbox"/> A	+\$0
667	smoked paldao, quarter cut, matte sheen	<input type="checkbox"/> A	+\$0
669	warm paldao, quarter cut, matte sheen	<input type="checkbox"/> A	+\$0
68R	recograin rosewood	<input type="checkbox"/> A	+\$0
69R	recograin rosewood	<input type="checkbox"/> A	+\$0
GOU	natural walnut, flat cut, matte sheen	<input type="checkbox"/> A	+\$0

Matte Sheen Finishes (on Walnut)

For walnut (W)

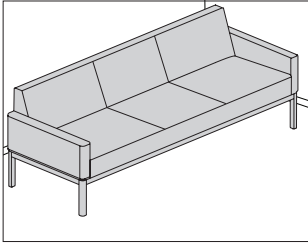
66G	recograin wenge	<input type="checkbox"/> A	+\$0
69G	recograin wenge	<input type="checkbox"/> A	+\$0

Step 6. Fire Retardancy

133	cal-133 required	<input type="checkbox"/> A	+\$276
NOCAL	no cal-133 required	<input type="checkbox"/> A	+\$0

Wood Base Sofa

TT3AA
TT3AW



Product Information

Description

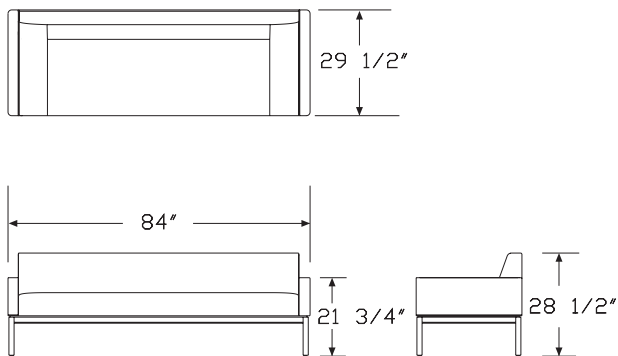
This sofa has a polyurethane foam and Dacron® seat with a solid wood base. Base comes in ash or walnut.

Notes

Fire retardant sofa meets CAL 133 requirements.

Customer's Own Material (COM) requires 7¼ yards. Customer's Own Leather (COL) requires 130½ square feet. See Order Information in appendices.

Dimensions



HermanMiller Collection—Sofas

Specification Information

Step 1.

TT3 A

Step 2. Arms

A arms A

Step 3. Wood Finish

A ash A

W walnut A

Prices for Steps 1-3.

TT3AA	\$4400
TT3AW	\$4700

Step 4. Upholstery

Price Category (Geiger) COL <input type="checkbox"/> A	+\$414
Price Category (Geiger) COM <input type="checkbox"/> A	+\$0
Price Category 1	+\$0
Price Category (Geiger) 2	+\$270
Price Category 2	+\$0
Price Category (Geiger) 3	+\$339
Price Category 3	+\$0
Price Category (Geiger) 4	+\$414
Price Category (Geiger) 5	+\$604
Price Category 5	+\$604
Price Category (Geiger) 6	+\$0
Price Category (Geiger) 7	+\$983
Price Category (Geiger) 8	+\$1507
Price Category (Geiger) 10	+\$2151
Price Category (Geiger) 11	+\$2409
Price Category 11	+\$2409

Step 5. Leg Finish

Low Sheen Finishes (on Ash)

For ash (A)

967	smoked paldao, low sheen <input type="checkbox"/> A	+\$0
969	warm paldao, low sheen <input type="checkbox"/> A	+\$0

Low Sheen Finishes (on Ash)

For ash (A)

940	sundance cherry on maple <input type="checkbox"/>	+\$0
943	caramel cherry <input type="checkbox"/>	+\$0
946	cocoa cherry <input type="checkbox"/>	+\$0
956	cocoa sapele <input type="checkbox"/>	+\$0
962	toasted walnut, low sheen <input type="checkbox"/>	+\$0
963	charred walnut, low sheen <input type="checkbox"/>	+\$0
964	bronzed walnut, low sheen <input type="checkbox"/>	+\$0
965	smoked walnut, low sheen <input type="checkbox"/>	+\$0
966	coffee walnut, low sheen <input type="checkbox"/>	+\$0
977	chocolate ash, low sheen <input type="checkbox"/>	+\$0
98R	recograin rosewood <input type="checkbox"/>	+\$0
991	champagne ash <input type="checkbox"/>	+\$0
998	ebony ash <input type="checkbox"/>	+\$0
99A	recograin frosty ash <input type="checkbox"/>	+\$0
99R	recograin rosewood <input type="checkbox"/>	+\$0
99T	recograin teak <input type="checkbox"/>	+\$0
9A1	white ash, quarter cut, low sheen <input type="checkbox"/>	+\$0
9K1	rift oak, rift cut, low sheen <input type="checkbox"/>	+\$0
9K6	burnt oak, rift cut, low sheen <input type="checkbox"/>	+\$0
ED	aged cherry <input type="checkbox"/>	+\$0
EK	medium red walnut <input type="checkbox"/>	+\$0
G2U	light brown walnut, low sheen <input type="checkbox"/>	+\$0
G40	dark brown walnut, low sheen <input type="checkbox"/>	+\$0
UX	walnut on cherry <input type="checkbox"/>	+\$0

Low Sheen Finishes (on Ash)

For ash (A)

98W	recograin walnut, flat cut, low sheen <input type="checkbox"/>	+\$0
99G	recograin wenge, quarter cut, low sheen <input type="checkbox"/>	+\$0
99W	recograin walnut, quarter cut, low sheen <input type="checkbox"/>	+\$0

Matte Sheen Finishes (on Ash)

For ash (A)

66A	recograin frosty ash <input type="checkbox"/>	+\$0
677	chocolate ash, matte sheen <input type="checkbox"/>	+\$0
68R	recograin rosewood <input type="checkbox"/>	+\$0
69A	recograin frosty ash <input type="checkbox"/>	+\$0
69R	recograin rosewood <input type="checkbox"/>	+\$0
69T	recograin teak <input type="checkbox"/>	+\$0
6A1	white ash <input type="checkbox"/>	+\$0
6K1	rift oak <input type="checkbox"/>	+\$0
6K6	burnt oak <input type="checkbox"/>	+\$0
ET	clear on ash <input type="checkbox"/>	+\$0
EU	oak on ash <input type="checkbox"/>	+\$0
EV	walnut on ash <input type="checkbox"/>	+\$0
GOU	natural walnut, flat cut, matte sheen <input type="checkbox"/>	+\$0

Matte Sheen Finishes (on Ash)

For ash (A)

66G	recograin wenge <input type="checkbox"/>	+\$0
68W	recograin walnut, flat cut, matte sheen <input type="checkbox"/>	+\$0
69G	recograin wenge <input type="checkbox"/>	+\$0
69W	recograin walnut, quarter cut, matte sheen <input type="checkbox"/>	+\$0

Low Sheen Finishes (on Walnut)

For walnut (W)

962	toasted walnut, low sheen <input type="checkbox"/>	+\$0
963	charred walnut, low sheen <input type="checkbox"/>	+\$0
964	bronzed walnut, low sheen <input type="checkbox"/>	+\$0
965	smoked walnut, low sheen <input type="checkbox"/>	+\$0
966	coffee walnut, low sheen <input type="checkbox"/>	+\$0
972	sundance walnut <input type="checkbox"/>	+\$0
98R	recograin rosewood <input type="checkbox"/>	+\$0
99R	recograin rosewood <input type="checkbox"/>	+\$0
EK	medium red walnut <input type="checkbox"/>	+\$0
G2U	light brown walnut, low sheen <input type="checkbox"/>	+\$0
G40	dark brown walnut, low sheen <input type="checkbox"/>	+\$0

Matte Sheen Finishes (on Walnut)

For walnut (W)

967	smoked paldao, low sheen <input type="checkbox"/>	+\$0
969	warm paldao, low sheen <input type="checkbox"/>	+\$0

Wood Base Sofa *continued*

Matte Sheen Finishes (on Walnut)

For walnut (W)

662	toasted walnut, matte sheen <input type="checkbox"/> A	+\$0
663	charred walnut, matte sheen <input type="checkbox"/> A	+\$0
664	bronzed walnut, matte sheen <input type="checkbox"/> A	+\$0
665	smoked walnut, matte sheen <input type="checkbox"/> A	+\$0
666	coffee walnut, matte sheen <input type="checkbox"/> A	+\$0
667	smoked paldao, quarter cut, matte sheen <input type="checkbox"/> A	+\$0
669	warm paldao, quarter cut, matte sheen <input type="checkbox"/> A	+\$0
68R	recograin rosewood <input type="checkbox"/> A	+\$0
69R	recograin rosewood <input type="checkbox"/> A	+\$0
GOU	natural walnut, flat cut, matte sheen <input type="checkbox"/> A	+\$0

Matte Sheen Finishes (on Walnut)

For walnut (W)

66G	recograin wenge <input type="checkbox"/> A	+\$0
69G	recograin wenge <input type="checkbox"/> A	+\$0

Matte Sheen Finishes (on Walnut)

For walnut (W)

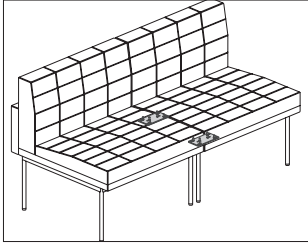
96G	wenge recograin, quarter cut, low sheen <input type="checkbox"/> A	+\$0
99G	recograin wenge, quarter cut, low sheen <input type="checkbox"/> A	+\$0

Step 6. Fire Retardancy

133	cal-133 required <input type="checkbox"/> A	+\$374
NOCAL	no cal-133 required <input type="checkbox"/> A	+\$0

Tuxedo Ganging Plate

STGP

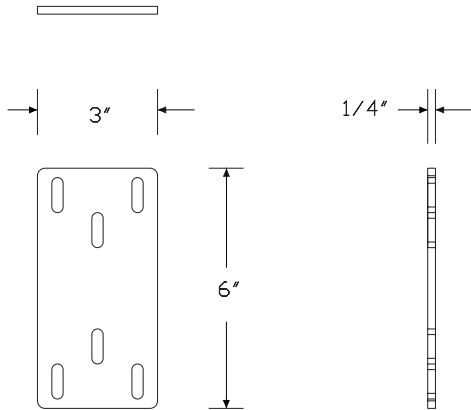


Product Information

Description

This ganging plate kit includes 2 metal plates and attachment hardware.

Dimensions



Specification Information

Step 1.

STGP A

\$73

HermanMiller Collection Desks and Tables

Desks

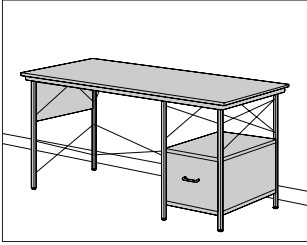
Tables

Occasional Tables



Eames® Desk Unit

EDU10.
EDU20.
EDU21.

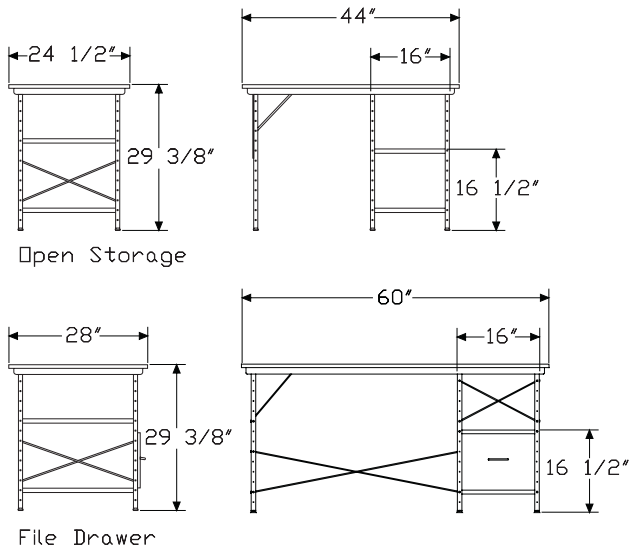


Product Information

Description

This desk unit has a powder-coated or zinc-coated steel frame, a birch top, painted side panels, with either open storage or a birch-front file drawer on the left or right side. It has adjustable glides.

Dimensions



Specification Information

Step 1.

EDU

Step 2. File Drawer

- 10. open storage
- 20. right-hand file drawer
- 21. left-hand file drawer

Prices for Steps 1-2.

EDU10.	\$1970
EDU20.	\$2197
EDU21.	\$2197

Step 3. Frame Finish

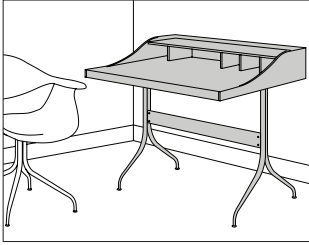
ZC zinc plated <input type="checkbox"/>	+\$0
BU black umber <input type="checkbox"/>	+\$95

Step 4. Surface Finish

NC natural color <input type="checkbox"/>	+\$0
W9 multi-color <input type="checkbox"/>	+\$0

Nelson™ Swag Leg Desk

NS585



HermanMiller Collection - Desks

Product Information

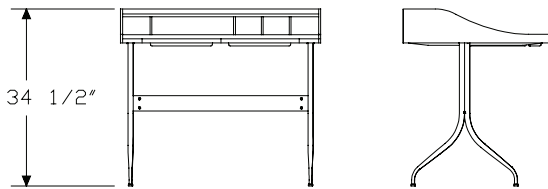
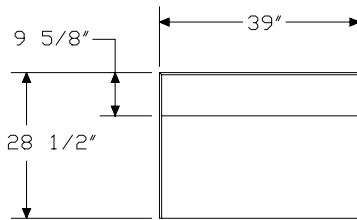
Description

This 34½"-high desk has a white-laminate top surface, solid walnut side and back panels, 4 hardwood dividers, and 2 black-plastic pencil drawers. The base is chrome-finished steel tubing with a solid walnut stretcher and adjustable glides. The desk also has a grommet for cable management. Shipped knocked down.

Notes

Hardwood divider colors include 2 orange, 1 spa blue, and 1 chartreuse.

Dimensions



Specification Information

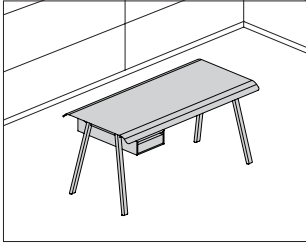
Step 1.

NS5850 A

\$2921

Distil Desk

TB100.

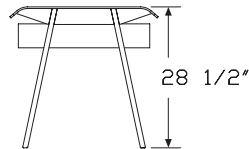
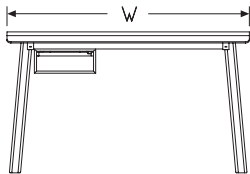
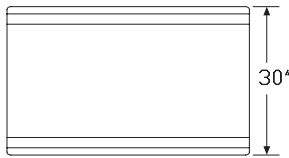


Product Information

Description

This desk has a molded plywood top with veneer in a choice of finishes, solid wood legs, and a choice of storage boxes. Storage boxes have laminate interior surfaces, can be oriented vertically or horizontally, and mounted on the left or right side of the desk. Storage box includes a drawer with coordinating laminate interior and is stained to match the desk top. Ships knocked down.

Dimensions



Specification Information

Step 1.

TB100. A

Step 2. Size

3048 30" deep x 48" wide A

3060 30" deep x 60" wide A

Step 3. Storage Box Option

For 30" deep x 48" wide (3048)

VSB vertical, single box A

HSB horizontal, single box A

For 30" deep x 60" wide (3060)

VSB vertical, single box A

HSB horizontal, single box A

VHB 1 vertical and 1 horizontal box A

VVB 2 vertical boxes A

Prices for Steps 1-3.

	VSB	HSB	VHB	VVB
TB100. 3048	\$3573	3467	—	—
3060	\$3678	3573	4728	4833

Step 4. Top Finish

		3048	3060
A2 white ash <input type="checkbox"/> A		+\$0	0
EN ebony <input type="checkbox"/> A		+\$0	0
OU walnut <input type="checkbox"/> A		+\$150	300

Step 5. Storage Box Interior Finish

For white ash (A2)

91 white A +\$0

For ebony (EN)

BK black A +\$0

For walnut (OU)

91 white A +\$0

BK black A +\$0

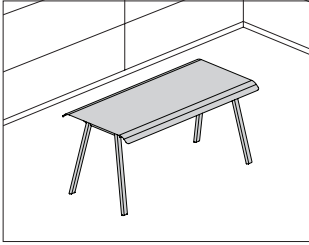
ORN orange A +\$0

Step 6. Leg Material

WWD wood A +\$0

Distil Table

TB200.



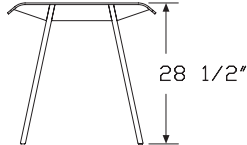
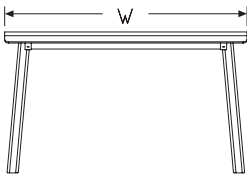
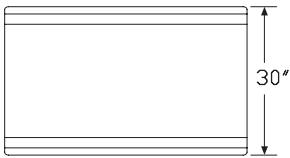
HermanMiller Collection - Desks

Product Information

Description

This table has a molded plywood top with veneer in a choice of finishes and solid wood legs. Ships knocked down.

Dimensions



Specification Information

Step 1.

TB200. A

Step 2. Size

3048 30" deep x 48" wide A

3060 30" deep x 60" wide A

Prices for Steps 1-2.

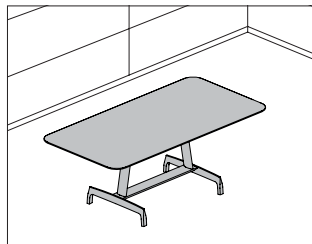
TB200. 3048	\$2417
3060	\$2522

Step 3. Top Finish

	3048	3060
A2 white ash <input type="checkbox"/> A	+\$0	0
EN ebony <input type="checkbox"/> A	+\$0	0
OU walnut <input type="checkbox"/> A	+\$150	300

Step 4. Leg Material

WWD wood <input type="checkbox"/> A	+\$0
--	------



Product Information

Description

This rectangular table comes in 3 depths and 7 widths, and has painted Formcoat®, veneer, and stone surface options. Top is 3/4" thick and has a soft, tapered edge. Glides have 1 1/4" of leveling adjustment.

Notes

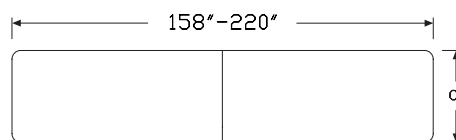
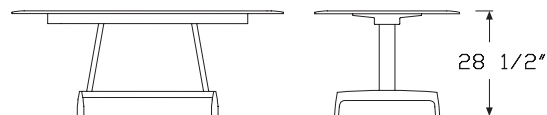
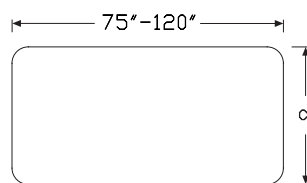
Tables 158" wide and wider will have 2-piece tops and a double base.

Grain direction for veneer tables less than 158" wide will align with width; for veneer tables 158" wide and wider grain direction will align with depth.

Santos palisander veneer is celebrated for its unique grain and color variations. Similar products ordered in multiples or dissimilar products ordered separately should be expected to have variation in both grain and color characteristics; no two products will look exactly alike.

Natural characteristics in stone cause variations in hues, veins, crystals, and distinctive marks. These variations and subtle changes seen as the stone ages are values associated with natural materials. No two tabletops are identically the same; variations in both color and veining are to be expected. Over time the stone may fade in color, staining of the surface may appear, and surface cracks-if not already visible at time of purchase-may appear. Small cracks do not affect the structure of the tabletop.

Dimensions



Specification Information				
Step 1.				
DF	A			
Step 2. Shape				
100.	rectangular	A		
Step 3. Depth				
38	38" deep	A		
42	42" deep	A		
48	48" deep	A		
Step 4. Width				
<i>For 38" deep (38)</i>				
75	75" wide	A		
85	85" wide	A		
<i>For 42" deep (42)</i>				
85	85" wide	A		
95	95" wide	A		
<i>For 48" deep (48)</i>				
95	95" wide	A		
120	120" wide	A		
158	158" wide	A		
190	190" wide	A		
220	220" wide	A		
Step 5. Surface Material				
<i>For 75" wide (75), 85" wide (85), or 95" wide (95)</i>				
P	paint Formcoat®	A		
W	veneer	A		
S	stone	A		
<i>For 120" wide (120), 158" wide (158), 190" wide (190), or 220" wide (220)</i>				
P	paint Formcoat®	A		
W	veneer	A		
Prices for Steps 1-5.				
		P	W	S
DF100. 38 75		\$4202	6303	15758
85		\$4307	6408	16284
42 85		\$4412	6513	16809
95		\$4727	6828	17860

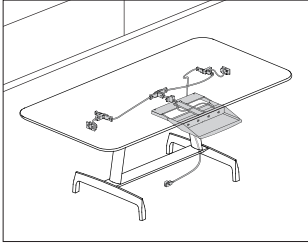
48 95		\$4937	7038	19436			
120		\$5673	7774	—			
158		\$8089	12607	—			
190		\$9455	13657	—			
220		\$9980	14708	—			
Step 6. Understructure Finish							
91	white	A		+\$0			
BK	black	A		+\$0			
Step 7. Base Finish							
<i>For white (91)</i>							
91	white	A		+\$0			
PA	polished aluminum	A		+\$0			
<i>For black (BK)</i>							
BK	black	A		+\$0			
PA	polished aluminum	A		+\$0			
Step 8. Top Finish							
<i>For painted Formcoat® (P)</i>							
8Q	folkstone grey	A		+\$0			
91	white	A		+\$0			
<i>For 38" deep (38), 42" deep (42), or 48" deep (48) with 75" wide (75), 85" wide (85), 95" wide (95), or 120" wide (120), or 158" wide (158), or 190" wide (190), or 220" wide (220) with veneer (W) with white (91), or polished aluminum (PA)</i>							
A2	white ash	A		+\$0			
<i>For veneer (W) AND black (BK)</i>							
		3875	3885	4285	4295	4895	
9N	santos palisander	A	+\$1299	1499	1899	2299	2399
A2	white ash	A	+\$0	0	0	0	0
EN	ebony	A	+\$0	0	0	0	0
OU	walnut	A	+\$0	0	0	0	0
			48120	48158	48190	48220	
9N	santos palisander	A	+\$3699	4099	4599	6299	
A2	white ash	A	+\$0	0	0	0	
EN	ebony	A	+\$0	0	0	0	
OU	walnut	A	+\$0	0	0	0	

AGL™ Table Group *continued*

<i>For veneer (W) AND polished aluminum (PA)</i>						
		3875	3885	4285	4295	4895
9N	santos palisander <input type="checkbox"/> A	+\$1299	1499	1899	2299	2399
EN	ebony <input type="checkbox"/> A	+\$0	0	0	0	0
OU	walnut <input type="checkbox"/> A	+\$0	0	0	0	0
		48120	48158	48190	48220	
9N	santos palisander <input type="checkbox"/> A	+\$3699	4099	4599	6299	
EN	ebony <input type="checkbox"/> A	+\$0	0	0	0	
OU	walnut <input type="checkbox"/> A	+\$0	0	0	0	

<i>For 38" deep (38), 42" deep (42), or 48" deep (48) with 75" wide (75), or 85" wide (85), or 95" wide (95) with stone (S) with white (91), or polished aluminum (PA)</i>						
5U	georgia grey marble <input type="checkbox"/> A					+\$1500

<i>For 38" deep (38), 42" deep (42), or 48" deep (48) with 75" wide (75), or 85" wide (85), or 95" wide (95) with stone (S) with black (BK), or polished aluminum (PA)</i>						
5U	georgia grey marble <input type="checkbox"/> A					+\$1500
HR	wisconsin black marble <input type="checkbox"/> A					+\$5000



Product Information

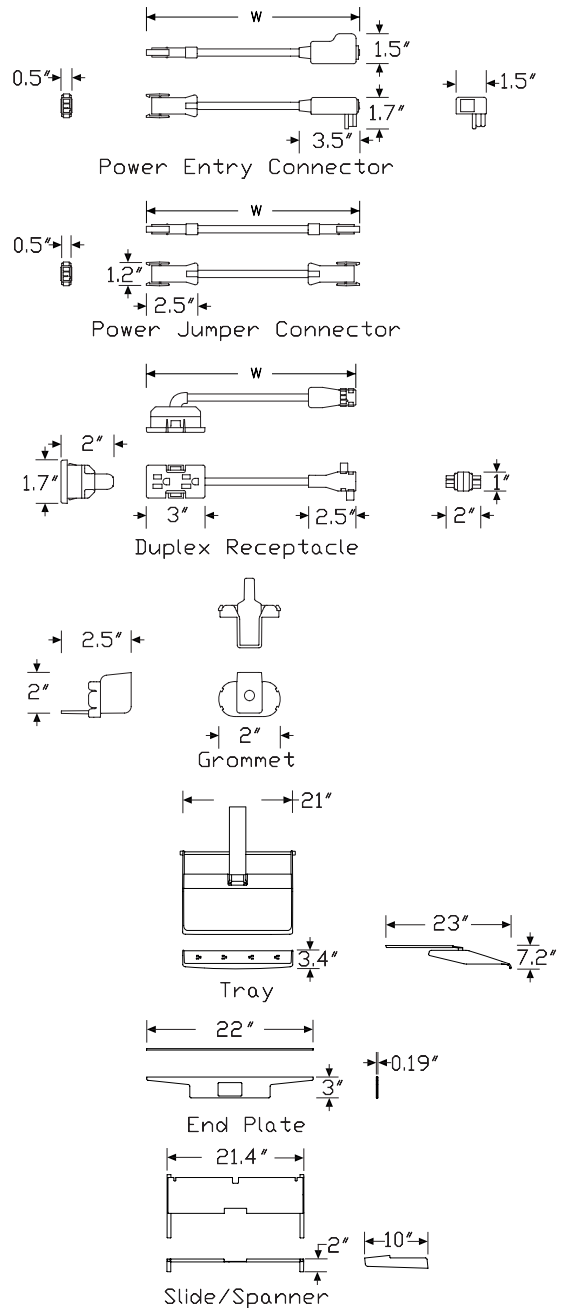
Description

This power kit connects to an AGL™ table. Each kit includes a predetermined number of trays (based on table size), a power entry connector, power jumpers and 2 duplex receptacles for each end of an AGL table. Each tray includes 2 combination receptacles that have a 15-amp simplex receptacle and dual USB ports. Power kit is UL listed for use with AGL table in the US and Canada.

Notes

- Each receptacle is rated at 120 VAC, 15 amp.
- One of the USB ports is a high-power port that can accommodate tablets and other high draw devices.
- Each power cord has a 15-amp resettable circuit breaker.
- For desking applications, specify 1 tray for 38" deep x 75" wide, 38" deep x 85" wide, and 42" deep x 85" wide tables.

Dimensions



AGL™ Table Group Power Kit

continued

Specification Information

Step 1.

DF900. A

Step 2. Table Size & Kit Configuration

- 3875A** 38" deep X 75" wide, 1 tray A
- 3875B** 38" deep X 75" wide, 2 trays A
- 3885A** 38" deep X 85" wide, 1 tray A
- 3885B** 38" deep X 85" wide, 2 trays A
- 4285A** 42" deep X 85" wide, 1 tray A
- 4285B** 42" deep X 85" wide, 2 trays A
- 4295B** 42" deep X 95" wide, 2 trays A
- 4895B** 48" deep X 95" wide, 2 trays A
- 48120C** 48" deep X 120" wide, 4 trays A
- 48158C** 48" deep X 158" wide, 4 trays A
- 48190D** 48" wide X 190" deep, 6 trays A
- 48220D** 48" wide X 220" deep, 6 trays A

Prices for Steps 1-2.

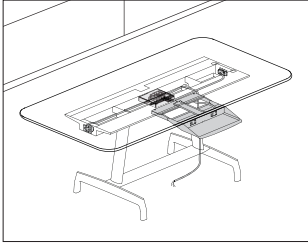
DF900. 3875A	\$945
3875B	\$1470
3885A	\$945
3885B	\$1470
4285A	\$945
4285B	\$1470
4295B	\$1470
4895B	\$1470
48120C	\$2731
48158C	\$2731
48190D	\$3782
48220D	\$3782

Step 3. Finish

- 91** white A + \$0
- BK** black A + \$0

AGL™ Table Group Power Kit,
Chicago version

DF901.



Product Information

Description

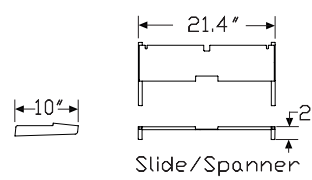
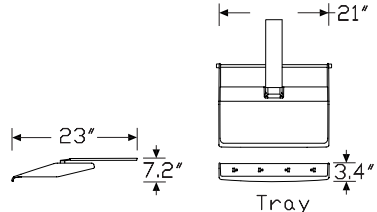
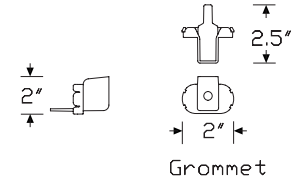
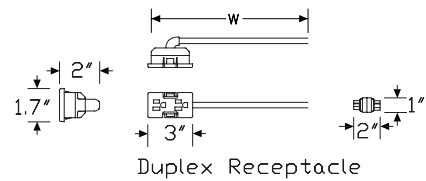
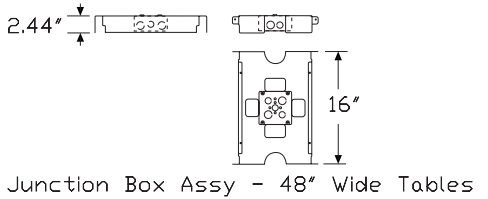
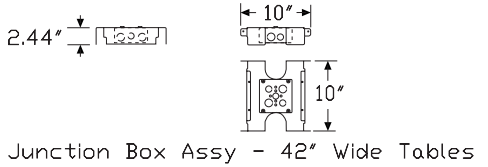
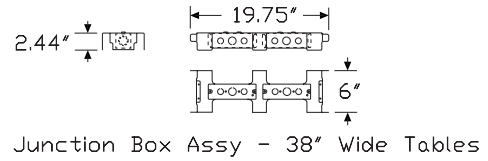
This power kit is for use with an AGL™ table only and must be wired by a licensed electrician. It includes a predetermined number of trays (based on table size), junction boxes, junction box covers, and duplex receptacles for each end of an AGL table. Each tray in the kit includes 2 combination receptacles that have a 15-amp simplex receptacle and dual USB ports.

Notes

Each receptacle is rated at 120 VAC, 15 amp.
For desking applications, specify 1 tray for 38" deep x 75" wide, 38" deep x 85" wide, and 42" deep x 85" wide AGL tables.

HermanMiller Collection—Tables

Dimensions



AGL™ Table Group Power Kit,
Chicago version *continued*

Specification Information

Step 1.

DF901. A

Step 2. Table Size & Kit Configuration

- 3875A** 38" deep X 75" wide, 1 tray A
- 3875B** 38" deep X 75" wide, 2 trays A
- 3885A** 38" deep X 85" wide, 1 tray A
- 3885B** 38" deep X 85" wide, 2 trays A
- 4285A** 42" deep X 85" wide, 1 tray A
- 4285B** 42" deep X 85" wide, 2 trays A
- 4295B** 42" deep X 95" wide, 2 trays A
- 4895B** 48" deep X 95" wide, 2 trays A
- 48120C** 48" deep X 120" wide, 4 trays A
- 48158C** 48" deep X 158" wide, 4 trays A
- 48190D** 48" wide X 190" deep, 6 trays A
- 48220D** 48" wide X 220" deep, 6 trays A

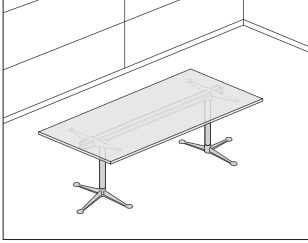
Prices for Steps 1-2.

DF901. 3875A	\$840
3875B	\$1470
3885A	\$840
3885B	\$1470
4285A	\$840
4285B	\$1470
4295B	\$1470
4895B	\$1470
48120C	\$2626
48158C	\$2626
48190D	\$3677
48220D	\$3677

Step 3. Finish

91 white <input type="checkbox"/> A	+ \$0
BK black <input type="checkbox"/> A	+ \$0

Burdick Group™ Rectangular Table BG321
BG322
BG331
BG332



HermanMiller Collection—Tables

Product Information

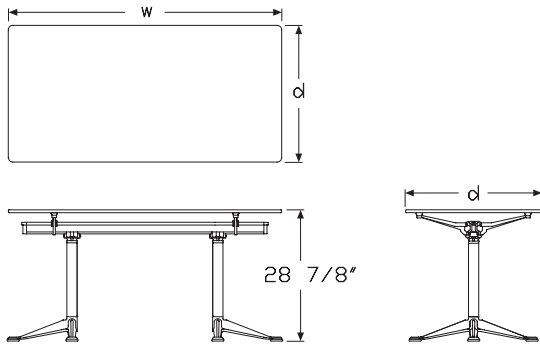
Description

This glass top table attaches to a beam and is available in 2 widths and 2 depths. Beam top surface, end caps, glides, and hook-and-loop fasteners are black. Attachment brackets are included.

Notes

Beam length is unique for 60"-wide and 72"-wide tables.
For white (91) bracket finish, attachment screws will be bright zinc. For black (BK) and polished aluminum (CD) bracket finishes, attachment screws will be black zinc.
Leg-to-beam connector is polished aluminum with no painted accents.

Dimensions



Specification Information

Step 1.

BG3 A

Step 2. Depth/Width

- 21** 30" deep x 60" wide A
- 22** 30" deep x 72" wide A
- 31** 36" deep x 60" wide A
- 32** 36" deep x 72" wide A

Step 3. Surface Material

G glass top A

Prices for Steps 1-3.

BG321 G	\$4562
BG322 G	\$5943
BG331 G	\$4668
BG332 G	\$6049

Step 4. Top/Edge Finish

JL clear glass A + \$0

Step 5. Bracket Finish

- 91** white A + \$0
- BK** black A + \$0
- CD** polished aluminum A + \$0

Step 6. Column Finish

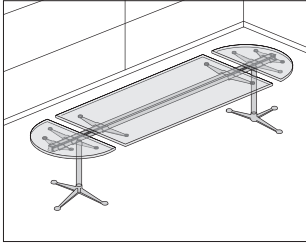
- 91** white A + \$0
- BK** black A + \$0

Step 7. Base Finish

CD polished aluminum A + \$0

Burdick Group™ Oval Table

BG335
BG336
BG435
BG436



Product Information

Description

This oval table has a rectangular glass center surface with glass or stone half-round surfaces on each end, attached to a beam. Table is available in 2 heights, 2 widths and 1 depth. Beam top surface, end caps, glides, and hook-and-loop fasteners are black. Attachment brackets are included.

Notes

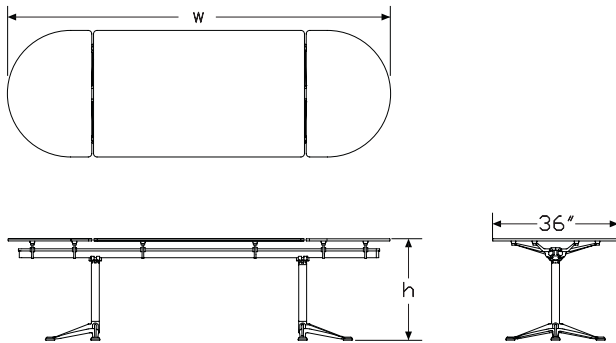
Beam length is unique for each table width.

Center section dimensions are 36" x 60" for the 108" table width, and 36" x 72" for the 120" table width.

For white (91) bracket finish, attachment screws will be bright zinc. For black (BK) and polished aluminum (CD) bracket finishes, attachment screws will be black zinc.

Leg-to-beam connector is polished aluminum with no painted accents.

Dimensions



Specification Information

Step 1.

BG A

Step 2. Height

3 28.5" high A

4 36" high A

Step 3. Depth/Width

35 36" deep x 108" wide A

36 36" deep x 120" wide A

Step 4. Middle Surface Material

G glass top A

Step 5. Ends Surface Material

G glass top A

S stone top A

Prices for Steps 1-5.

	G	S
BG335 G	\$7322	14006
BG336 G	\$8701	15386
BG435 G	\$7322	14006
BG436 G	\$8701	15386

Step 6. Middle Surface Finish

JL clear glass A +\$0

Step 7. Ends Surface Finish

For glass top (G)

JL clear glass A +\$0

For stone top (S)

5U georgia grey marble A +\$699

HR wisconsin black marble A +\$1899

Step 8. Bracket Finish

91 white A +\$0

BK black A +\$0

CD polished aluminum A +\$0

Burdick Group™ Oval Table *continued*

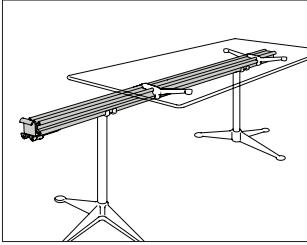
HermanMiller Collection—Tables

Step 9. Column Finish		
91	white <input type="checkbox"/> A	+\$0
BK	black <input type="checkbox"/> A	+\$0

Step 10. Base Finish		
CD	polished aluminum <input type="checkbox"/> A	+\$0

Burdick Group™ Beam

BG105
BG106



Product Information

Description

This structural beam supports Burdick Group™ products. The beam is polished aluminum and has a cable management channel on the underside. Beams can be connected to form right angles. Attachment hardware included.

Notes

Order base assembly (BG107) separately.

Dimensions

Specification Information

Step 1.

BG10 A

Step 2. Type/Length

6 connecting and 5' 6" long A

5 connecting and 7' long A

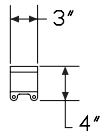
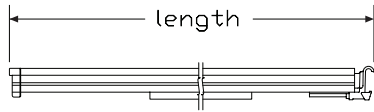
Prices for Steps 1-2.

BG106 \$1381

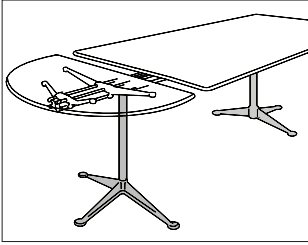
BG105 \$1593

Step 3. Top Finish

BU black umber A +\$0



Burdick Group™ Base Assembly BG107



HermanMiller Collection—Tables

Product Information

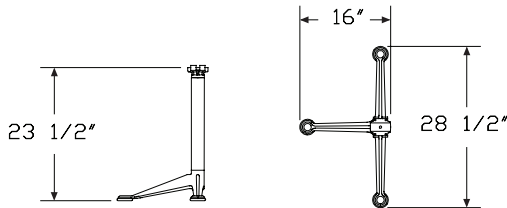
Description

This base structure supports a beam and has a vertical cable management package. The base is polished aluminum. Attachment hardware included. Shipped knocked down.

Notes

Order beam (BG105 or BG106) separately.

Dimensions



Specification Information

Step 1.

BG10 A

Step 2. Configuration

7 single A

Prices for Steps 1-2.

BG107 \$797

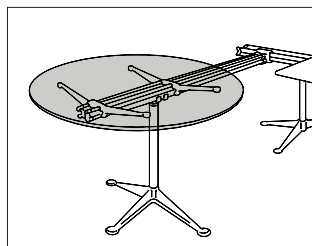
Step 3. Column Finish

91 white A +\$0

BK black A +\$0

Burdick Group™ Round Work Surface

BG122



Product Information

Description

This 48"-diameter glass work surface attaches to a beam. Attachment brackets included.

Dimensions



Specification Information

Step 1.

BG1 A

Step 2. Material

22 glass A

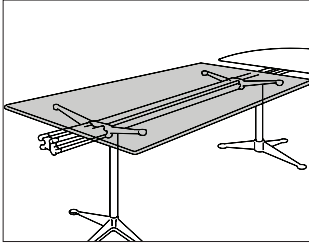
Prices for Steps 1-2.

BG122 \$2041

Step 3. Bracket Finish

91 white A +\$0
BK black A +\$0
CD polished aluminum A +\$0

Burdick Group™ Rectangular Work Surface BG120
 Surface BG121

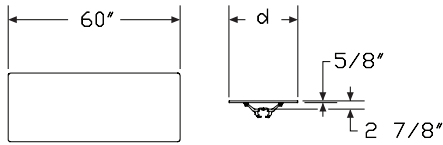


HermanMiller Collection—Tables

Product Information

Description
 This 60"-wide glass work surface attaches to a beam. Attachment brackets included.

Dimensions



Specification Information

Step 1.

BG1 A

Step 2. Material/Depth

- 21** glass and 24" deep A
- 20** glass and 36" deep A

Prices for Steps 1-2.

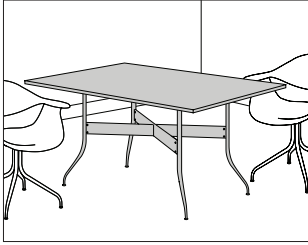
BG121	\$1539
BG120	\$2016

Step 3. Bracket Finish

- 91** white A +\$0
- BK** black A +\$0
- CD** polished aluminum A +\$0

Nelson™ Swag Leg Dining Table
Rectangular

NS585

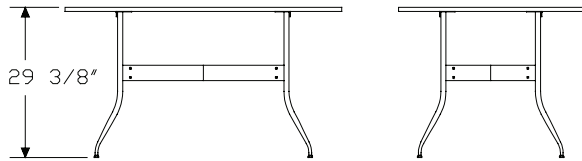
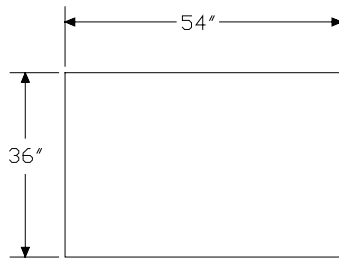


Product Information

Description

This 29³/₈"-high rectangular dining table has a white laminate top or walnut veneer top with a walnut edge band, 4 chrome-finished steel-tube legs, 2 solid walnut stretchers, and adjustable glides. Shipped knocked down.

Dimensions



Specification Information

Step 1.

NS5851 A

Step 2. Surface Material

L laminate A

W veneer A

Prices for Steps 1-2.

NS5851 L	\$1920
W	\$2430

Step 3. Surface Finish

For laminate (L)

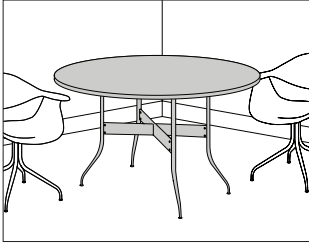
91 white <input type="checkbox"/> A	+\$0
--	------

For veneer (W)

OU walnut <input type="checkbox"/> A	+\$0
---	------

Nelson™ Swag Leg Dining Table
Round

NS585



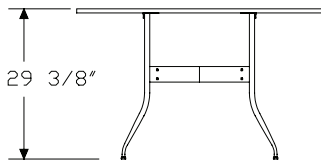
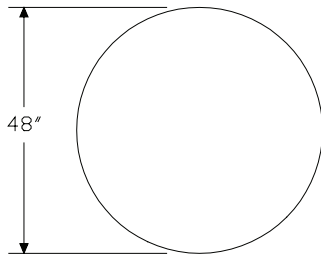
HermanMiller Collection—Tables

Product Information

Description

This 29³/₈"-high round dining table has a white laminate top or walnut veneer top with a walnut edge band, 4 chrome-finished steel-tube legs, 2 solid walnut stretchers, and adjustable glides. Shipped knocked down.

Dimensions



Specification Information

Step 1.

NS5852 A

Step 2. Surface Material

L laminate A

W veneer A

Prices for Steps 1-2.

NS5852 L	\$1920
W	\$2302

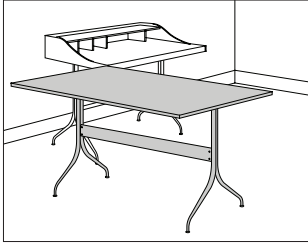
Step 3. Surface Finish

For laminate (L)

91 white A + \$0

For veneer (W)

OU walnut A + \$0

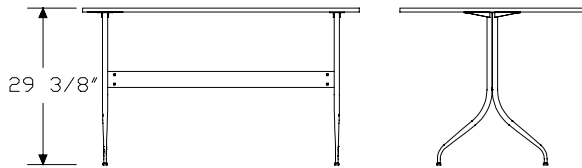
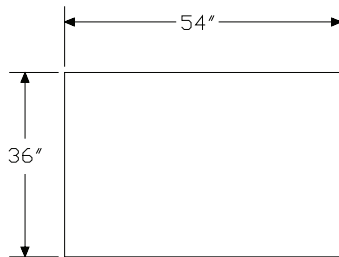


Product Information

Description

This 29³/₈"-high rectangular work table has a white laminate top or walnut veneer top with a walnut edge band, 4 chrome-finished steel-tube legs, 2 solid walnut stretchers, and adjustable glides. Shipped knocked down.

Dimensions



Specification Information

Step 1.

NS5854 A

Step 2. Surface Material

L laminate A

W veneer A

Prices for Steps 1-2.

NS5854 L	\$1920
W	\$2430

Step 3. Surface Finish

For laminate (L)

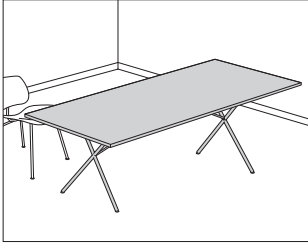
91 white A + \$0

For veneer (W)

OU walnut A + \$0

Nelson™ X-Leg Table

NX100.



HermanMiller Collection—Tables

Product Information

Description

This 28½"-high rectangular table has a laminate or veneer top with a veneer edge. Shipped knocked down.

Laminate top veneer edge colors are predetermined:

Top Color—Veneer Edge

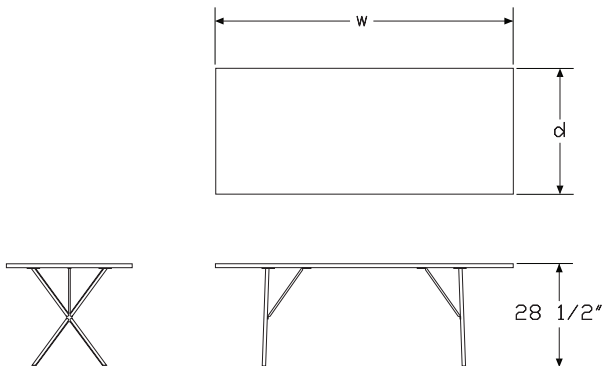
White (91)—Walnut (OU)

Studio White (98)—White Ash (A2)

Notes

Santos palisander veneer is celebrated for its unique grain and color variations. Similar products ordered in multiples or dissimilar products ordered separately should be expected to have variation in both grain and color characteristics; no two products will look exactly alike.

Dimensions



Specification Information

Step 1.

NX100. [A]

Step 2. Depth

30 30" deep [A]

36 36" deep [A]

Step 3. Width

60 60" wide [A]

72 72" wide [A]

84 84" wide [A]

Step 4. Surface Material

L laminate with veneer edge [A]

W veneer with veneer edge [A]

Prices for Steps 1-4.

		L	W
NX100. 30 60	72	\$1836	2040
	84	\$2040	2550
		\$2382	3060
36 60	72	\$2040	2550
	84	\$2382	3060
		\$2739	3519

Step 5. Top Finish

Solid-Color Laminate

For laminate with veneer edge (L)

91	white [A]					+\$0
98	studio white [A]					+\$0

Wood Veneer

For veneer with veneer edge (W)

		3060	3072	3084	3660	3672
OU	walnut [A]	+\$0	0	0	0	0
A2	white ash [A]	+\$250	265	265	265	290
9N	santos palisander [A]	+\$950	1009	1009	1009	1104
						3684
OU	walnut [A]					+\$0
A2	white ash [A]					+\$305
9N	santos palisander [A]					+\$1161

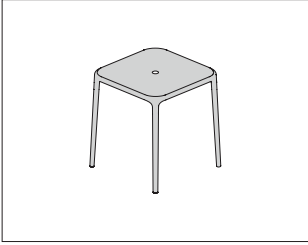
Nelson™ X-Leg Table *continued*

Step 6. Leg Finish

91	white	<input type="checkbox"/> A	+\$0
BK	black	<input type="checkbox"/> A	+\$0
47	trivalent chrome	<input type="checkbox"/> A	+\$55

Air-Table

MGA70.



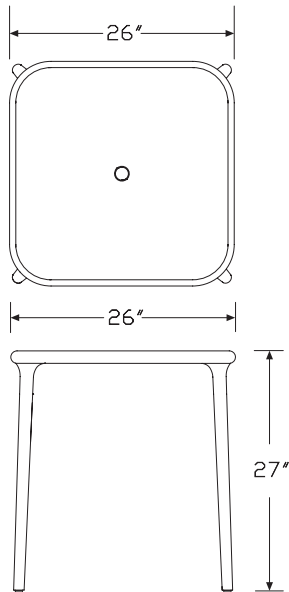
HermanMiller Collection-Tables

Product Information

Description
 This stacking and KD table is made from polypropylene with glass fibre added. It is available in a triangle or square shape. Tables can stack up to 5 high.

Notes
 This table is suitable for outdoor use.

Dimensions



Specification Information

Step 1.

MGA70. A

Step 2. Shape

S square A

Prices for Steps 1-2.

MGA70.S \$420

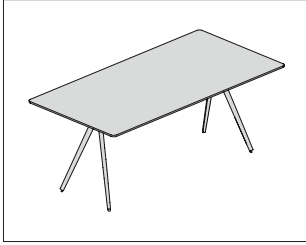
Step 3. Finish

YBB beige A +\$0

YBP white A +\$0

Baguette Table

MGG70.



Product Information

Description

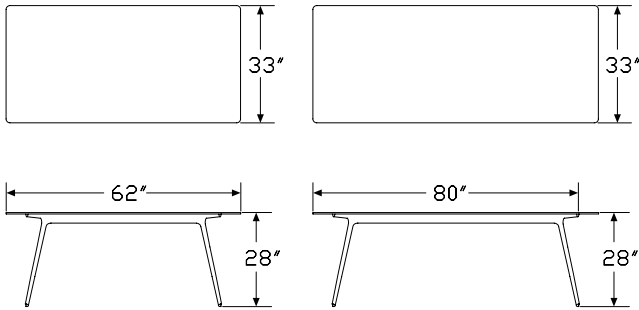
The legs of this table are cast aluminum, available polished or painted. The crosspiece is aluminum, also available polished or painted.

Notes

Painted (YCB, YCF) base with ardesia slate (YCJ) tables are suitable for outdoor use.

Other tops (WNT, YCB, YCF, YCC) and polished (YCD) base are NOT suitable for outdoor use.

Dimensions



Specification Information

Step 1.

MGG70.

Step 2. Size

3362 33" x 62" rectangular

3380 33" x 80" rectangular

Prices for Steps 1-2.

MGG70.3362	\$2108
3380	\$2313

Step 3. Frame Finish

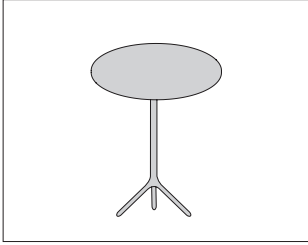
	3362	3380
YCB black <input type="checkbox"/>	+\$0	0
YCF white <input type="checkbox"/>	+\$0	0
YCD polished <input type="checkbox"/>	+\$350	351

Step 4. Top Finish

	3362	3380
WNT walnut <input type="checkbox"/>	+\$1682	2380
YCB black <input type="checkbox"/>	+\$0	0
YCF white <input type="checkbox"/>	+\$0	0
YCC extraclear glass <input type="checkbox"/>	+\$443	513
YCJ magis® ardesia slate <input type="checkbox"/>	+\$986	1022

Central Table

MGG80.



HermanMiller Collection—Tables

Product Information

Description

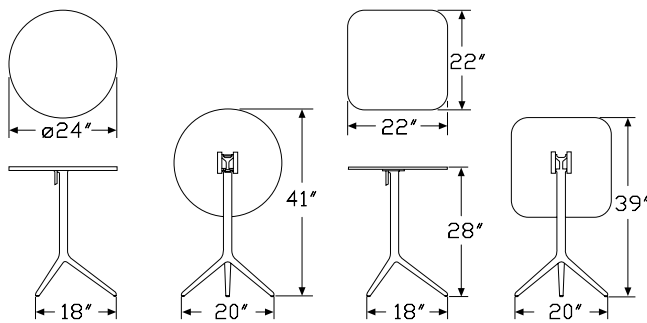
This table is available in a round or square shape. The frame is cast aluminum, available polished or painted.

Notes

For square table, polished aluminum frame is not available. Black or white finishes only.

Polished (YCD) option is NOT suitable for outdoor use.

Dimensions



Specification Information

Step 1.

MGG80. A

Step 2. Shape

R round A

S square A

Prices for Steps 1-2.

MGG80.R	\$1006
S	\$1006

Step 3. Frame/Top Finish

For round (R)

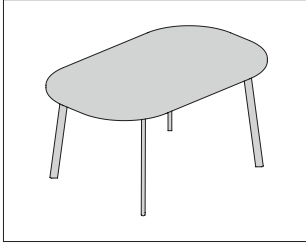
YCB black <input type="checkbox"/> A	+\$0
YCF white <input type="checkbox"/> A	+\$91
YCD polished <input type="checkbox"/> A	+\$493

For square (S)

YCB black <input type="checkbox"/> A	+\$0
YCF white <input type="checkbox"/> A	+\$91

Deja-Vu Table

MGD70.



Product Information

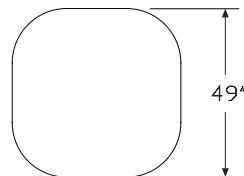
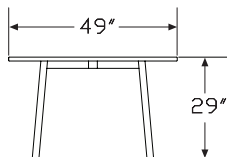
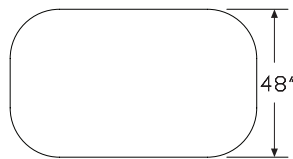
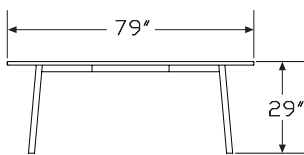
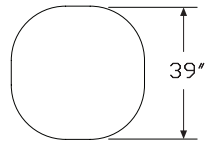
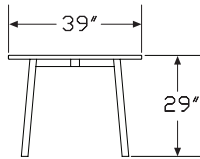
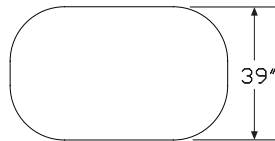
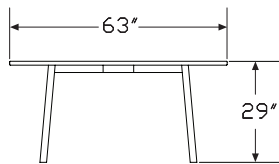
Description

This table is available in a rounded square or oval shape. Top is high pressure laminate. White top is available with polished aluminum legs.

Notes

Table thickness is $\frac{7}{8}$ ".

Dimensions



Specification Information

Step 1.

MGD70. A

Step 2. Shape

R rounded square A

V oval A

Step 3. Size

For rounded square (R)

3939 39" x 39" A

4949 49" x 49" A

For oval (V)

6336 63" x 39" A

7948 79" x 48" A

Prices for Steps 1-3.

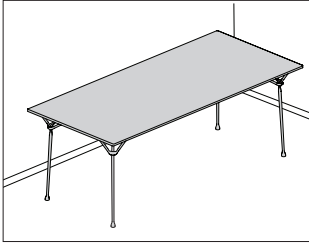
	3939	6336	4949	7948
MGD70.R	\$1675	—	2250	—
V	—	\$2145	—	2785

Step 4. Finish

YPL white top with polished aluminum legs A +\$500

Officina Table

MGQ70.



Product Information

Description

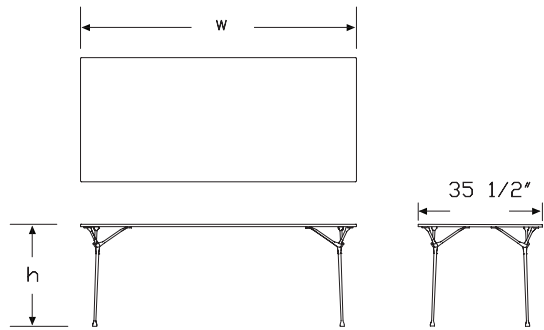
This table has a wrought iron frame that is galvanized or painted black, and comes with a choice of tops. Black top is 0.66" thick steel, electro-galvanized and painted. Walnut and ash tops are 1" thick. Glass top is tempered, 1/2" thick. Rectangular and round tables are 29" high, and square tables are 29 1/2" high.

Notes

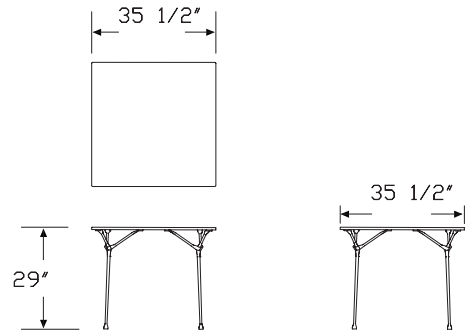
Dimensions are nominal.

HermanMiller Collection—Tables

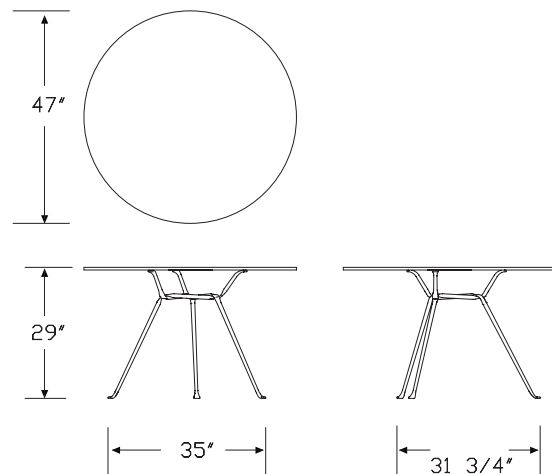
Dimensions



Rectangular table



Square table



Specification Information

Step 1.

MGQ70. A

Step 2. Shape

R rectangular A

S square A

D round A

Step 3. Size

For rectangular (R)

A 114" x 37.5" A

B 94.5" x 37.5" A

C 79" x 35.5" A

For square (S)

D 35.5" x 35.5" A

For round (D)

E 47.25" diameter A

Prices for Steps 1-3.

	A	D	E	B	C
MGQ70.	R \$5790	—	—	—	4690
4030					
S	—	\$2820	—	—	—
D	—	—	\$2440	—	—

Step 4. Frame Finish

For rectangular (R) or square (S)

GLV galvanized A +\$0

YCB black A +\$200

For round (D)

YCB black A +\$200

Step 5. Top Finish

For rectangular (R), square (S), 114" x 37.5" (A), 35.5" x 35.5" (D), 94.5" x 37.5" (B) AND 79" x 35.5" (C)

YCB black A +\$0

For rectangular (R) with 79" x 35.5" (C) with black (YCB)

YCB black A +\$0

WNT walnut A +\$1400

TTA thermo-treated ash A +\$970

For square (S) with 35.5" x 35.5" (D) with black (YCB)

YCB black A +\$0

WNT walnut A +\$860

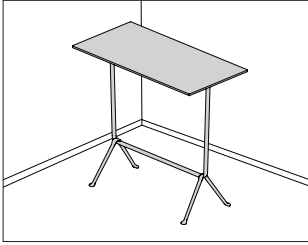
TTA thermo-treated ash A +\$650

For round (D) with 47.25" diameter (E) with black (YCB)

SGG smoke grey glass A +\$400

Officina Bistro Table

MGQ70.



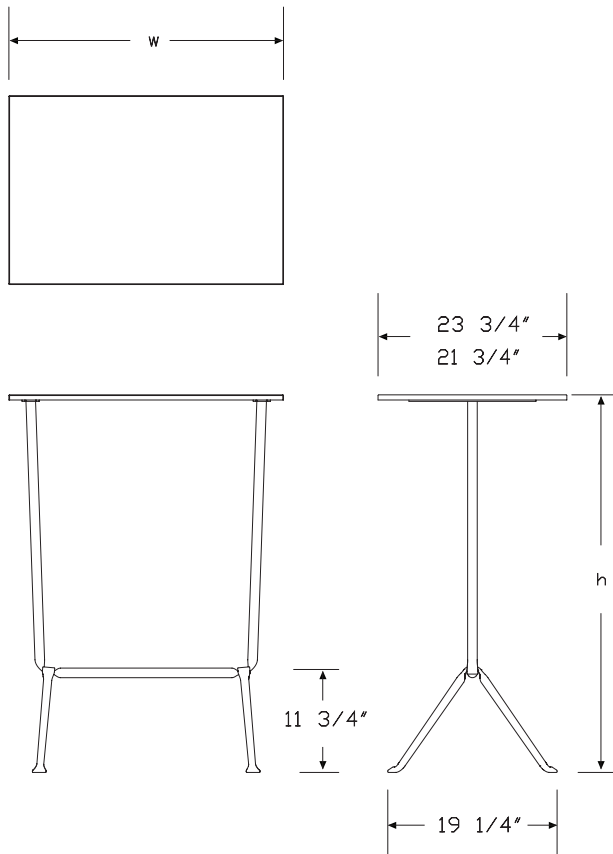
HermanMiller Collection—Tables

Product Information

Description
 This bistro table has a wrought iron frame that is galvanized or painted black, and comes with a choice of tops. Black top is 0.66" thick steel, electro-galvanized and painted. Walnut and ash tops are 1" thick. Available in 2 heights: 29½" high or 43½" high.

Notes
 Dimensions are nominal.

Dimensions



Specification Information

Step 1.

MGQ70.B A

Step 2. Size

- A** 31.5"L x 21.75"W x 29.5" H A
- B** 31.5"L x 21.75"W x 43.5" H A
- C** 47.25"L x 23.75"W x 29.5" H A
- D** 47.25"L x 23.75"W x 43.5" H A

Prices for Steps 1-2.

MGQ70.B A	\$1860
B	\$2085
C	\$2020
D	\$2200

Step 3. Frame Finish

- GLV** galvanized A +\$0
- YCB** black A +\$150

Step 4. Top Finish

For galvanized (GLV)

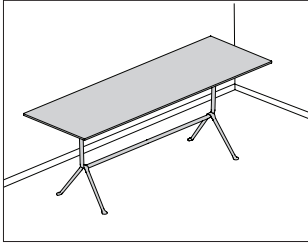
YCB black A +\$0

For black (YCB)

		A	B	C	D
YCB	black A	+\$0	0	0	0
TTA	thermo-treated ash A	+\$25	25	275	275
WNT	walnut A	+\$125	125	430	430

Officina Fratino Table

MGQ70.



Product Information

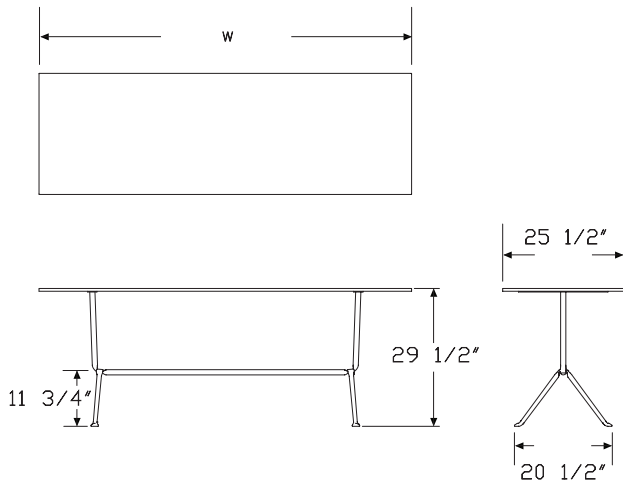
Description

This table has a wrought iron frame that is galvanized or painted black, and comes with a choice of tops. Walnut and ash tops are 1" thick. Ardesia slate and Carrara marble tops are 3/4" thick. Table is 29 1/2" high.

Notes

Dimensions are nominal.

Dimensions



Specification Information

Step 1.

MGQ70.F A

Step 2. Size

A 63"L x 25.5"W x 29.5" H A

B 78.75"L x 25.5"W x 29.5" H A

Prices for Steps 1-2.

MGQ70.F A	\$2770
B	\$3270

Step 3. Frame Finish

GLV galvanized <input type="checkbox"/> A	+\$0
YCB black <input type="checkbox"/> A	+\$150

Step 4. Top Finish

For galvanized (GLV)

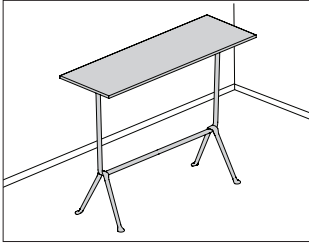
	A	B
YCJ ardesia slate <input type="checkbox"/> A	+\$300	525
CRR Carrara marble <input type="checkbox"/> A	+\$600	740

For black (YCB)

	A	B
TTA thermo-treated ash <input type="checkbox"/> A	+\$250	250
YCJ ardesia slate <input type="checkbox"/> A	+\$300	525
WNT walnut <input type="checkbox"/> A	+\$475	625
CRR Carrara marble <input type="checkbox"/> A	+\$600	740

Officina Console Table

MGQ70.



HermanMiller Collection—Tables

Product Information

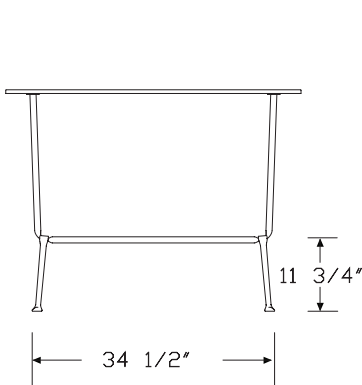
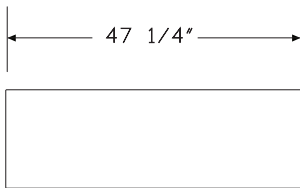
Description

This table has a wrought iron frame painted black, and comes with a choice of tops. Walnut tops are 1" thick. Ardesia slate tops are 3/4" thick. Table is 36" high.

Notes

Dimensions are nominal.

Dimensions



Specification Information

Step 1.

MGQ70.C

Step 2. Size

A 47.25"L x 15.75"W x 36" H

Prices for Steps 1-2.

MGQ70.C A \$2025

Step 3. Frame Finish

YCB black +\$150

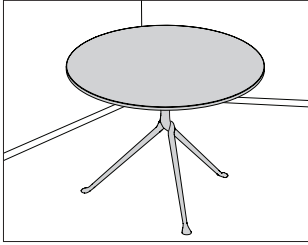
Step 4. Top Finish

YCJ ardesia slate +\$625

WNT walnut +\$250

Officina Pedestal Table

MGQ70.



Product Information

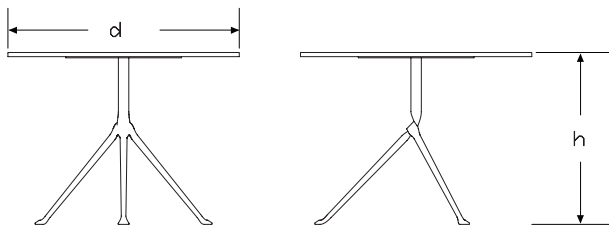
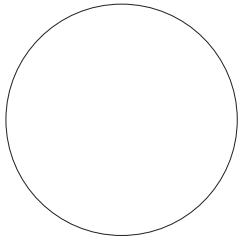
Description

This pedestal table has a wrought iron frame that is galvanized or painted black, and comes with a choice of tops. Black top is 0.66" thick steel, electro-galvanized and painted. Walnut and ash tops are 1" thick. Ardesia slate and Carrara marble tops are 3/4" thick. Natural beech plywood is 1/4" thick. Available in 2 heights: 29 1/2" high or 22" high.

Notes

Dimensions are nominal.

Dimensions



Specification Information

Step 1.

MGQ70. A

Step 2. Base

P pedestal A

Step 3. Size

A 39.5" D x 29.5" H A

B 31.5" D x 29.5" H A

C 21.75" D x 29.5" H A

D 16.5" D x 22" H A

Prices for Steps 1-3.

	A	B	C	D
MGQ70.	P \$2475	2169	1230	
1185				

Step 4. Frame Finish

GLV galvanized A +\$0

YCB black A +\$75

Step 5. Top Finish

For 39.5" D x 29.5" H (A) with galvanized (GLV)

YCB black A +\$0

YCJ ardesia slate A +\$500

CRR Carrara marble A +\$1050

For 31.5" D x 29.5" H (B) with galvanized (GLV)

YCB black A +\$0

YCJ ardesia slate A +\$400

CRR Carrara marble A +\$600

YNC natural beech A -\$400

For 21.75" D x 29.5" H (C) or 16.5" D x 22" H (D) with galvanized (GLV)

YNC natural beech A -\$80

For 39.5" D x 29.5" H (A) with black (YCB)

YCB black A +\$0

TTA thermo-treated ash A +\$300

YCJ ardesia slate A +\$500

WNT walnut A +\$530

CRR Carrara marble A +\$1050

Officina Pedestal Table *continued*

HermanMiller Collection—Tables

For 31.5" D x 29.5" H (B) with black (YCB)

YCB	black <input type="checkbox"/> A	+\$0
TTA	thermo-treated ash <input type="checkbox"/> A	+\$75
WNT	walnut <input type="checkbox"/> A	+\$150
YNC	natural beech <input type="checkbox"/> A	-\$400

For 21.75" D x 29.5" H (C) with black (YCB)

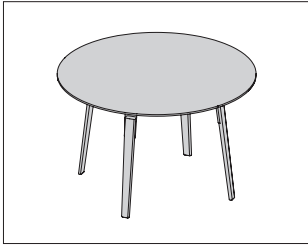
TTA	thermo-treated ash <input type="checkbox"/> A	+\$50
WNT	walnut <input type="checkbox"/> A	+\$100
YNC	natural beech <input type="checkbox"/> A	-\$80

For 16.5" D x 22" H (D) with black (YCB)

TTA	thermo-treated ash <input type="checkbox"/> A	+\$0
WNT	walnut <input type="checkbox"/> A	+\$0
YNC	natural beech <input type="checkbox"/> A	-\$100

Steelwood Table

MGS70.



Product Information

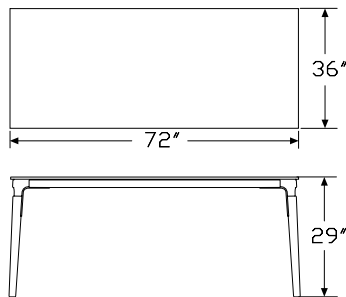
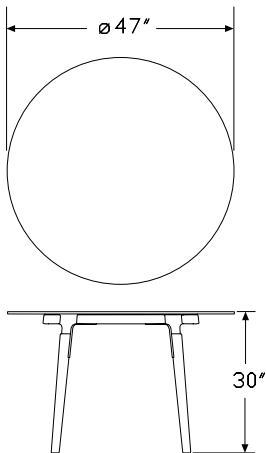
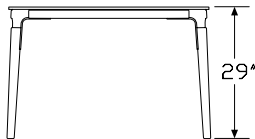
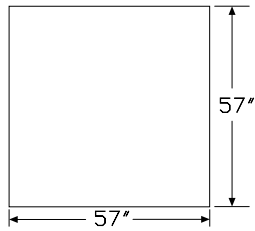
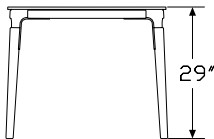
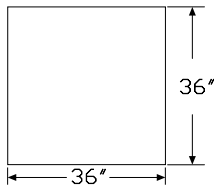
Description

This table comes in a square, round, or rectangular shape. The frame is solid beech, available in natural or painted. The top is high pressure laminate. The steel plate joints are painted in epoxy resin.

Notes

Table thickness is 7/8".

Dimensions



Specification Information

Step 1.

MGS70. A

Step 2. Shape

S3636 square, 36" x 36" A

S5757 square, 57" x 57" A

R round A

T rectangular A

Prices for Steps 1-2.

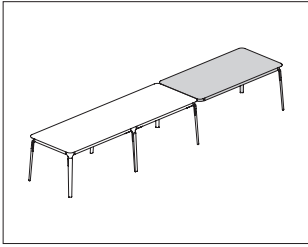
MGS70.S3636	\$1544
S5757	\$2394
R	\$1918
T	\$2147

Step 3. Frame/Top Finish

		S3636	S5757	R	T
YMH	black <input type="checkbox"/> A	+\$0	0	0	0
YMJ	white <input type="checkbox"/> A	+\$513	711	1225	1001
YMG	natural beech frame/white top <input type="checkbox"/> A	+\$513	711	1225	1001

Steelwood Table System

MG572.



HermanMiller Collection—Tables

Product Information

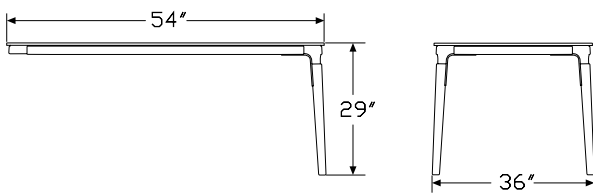
Description

This table system extension is an intermediate module that attaches to the table system basic module. It comes with a solid beech frame, available in natural or painted. The top is high pressure laminate. Steel plate joints are painted in epoxy resin.

Notes

Order Magis Steelwood table system (MG571.) basic module separately.

Dimensions



Specification Information

Step 1.

MG572. A \$1514

Step 2. Frame/Top Finish

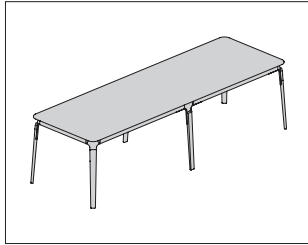
YMH black A +\$0

YMJ white A +\$767

YMG natural beech frame/white top A +\$767

Steelwood Extending Table

MGS71.



Product Information

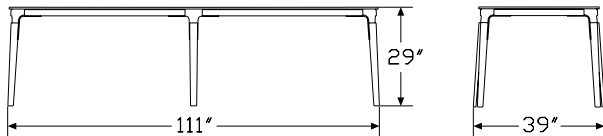
Description

This table system is a basic module with a solid beech frame, available in natural or painted. The top is high pressure laminate. Steel plate joints are painted in epoxy resin.

Notes

To extend the table system, order Magis Steelwood table system extension (MGS72.) separately.

Dimensions



Specification Information

Step 1.

MGS71. A \$3202

Step 2. Frame/Top Finish

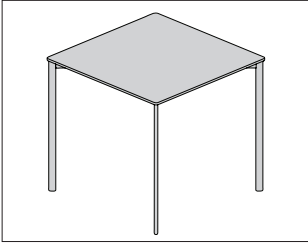
YMH black A +\$0

YMJ white A +\$1468

YMG natural beech frame/white top A +\$1468

Striped Tavolo

MGW70.



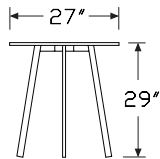
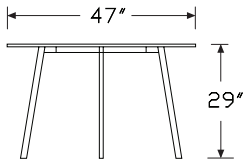
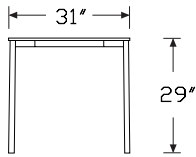
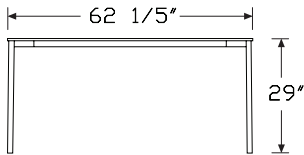
HermanMiller Collection-Tables

Product Information

Description

This table has a steel tube frame, cathodically treated and painted in polyester powder. Top is 1/2" thick and finished in high-pressure laminate. It comes in 5 styles. Suitable for outdoor use.

Dimensions



Specification Information

Step 1.

MGW70.

Step 2. Size

- LRE** large rectangular table
- SRE** large square table
- LRO** large round table
- SRO** small round table

Prices for Steps 1-2.

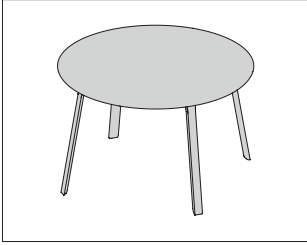
MGW70.LRE	\$1442
SRE	\$1051
LRO	\$1854
SRO	\$1030

Step 3. Top/Base Finish

YMJ white <input type="checkbox"/>	+\$650
YMH black <input type="checkbox"/>	+\$0

Table First

MGF70.



Product Information

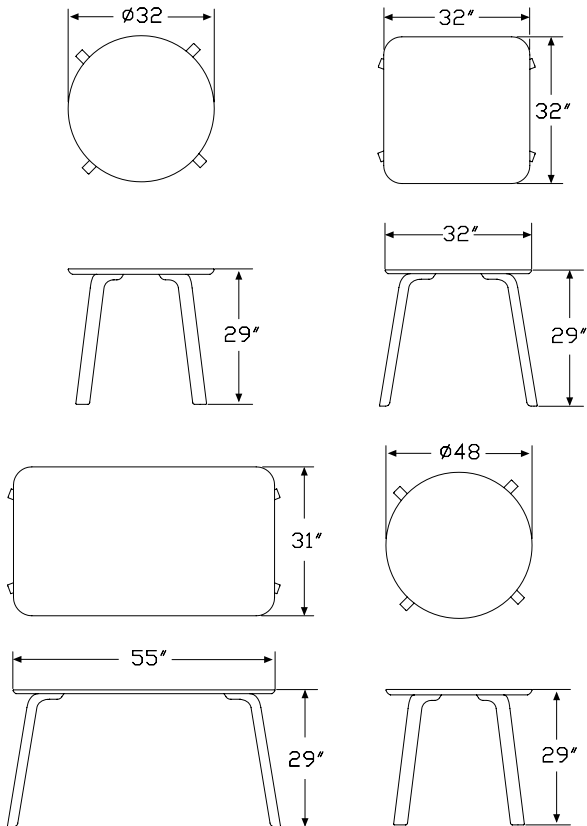
Description

The shape of this table is available in round, square, or rectangular. The table top is painted medium-density fiberboard. Legs are made from polypropylene with glass fibre added.

Notes

Top thickness is 1 1/8".

Dimensions



Specification Information

Step 1.

MGF70. [A]

Step 2. Size/Shape

- 3200** 32" round [A]
- 3232** 32" x 32" square [A]
- 3155** 31" x 55" rectangular [A]
- 4800** 48" round [A]

Prices for Steps 1-2.

MGF70.3200	\$827
3232	\$944
3155	\$1184
4800	\$1339

Step 3. Leg Finish

YGC black [A]	+\$0
YGM white [A]	+\$0

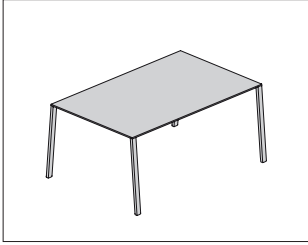
Step 4. Top Finish

For black (YGC)

YGC black [A]	+\$0
----------------------	------

For white (YGM)

YGM white [A]	+\$0
----------------------	------

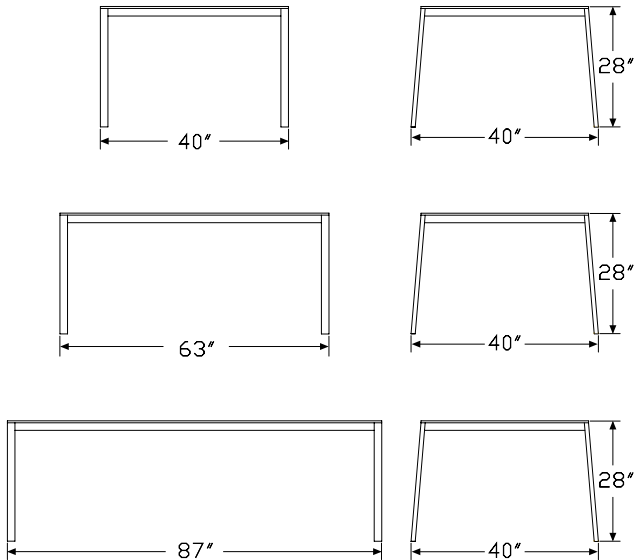


Product Information

Description
 The frame of this table is an anodised aluminum tube. Joints are die-cast aluminum, available polished or painted. The top is high pressure laminate and comes in black or white. The base finish is available in polished aluminum and black.

Notes
 Table thickness is 1/2".
 Black (YHB) base with black (YHB) top combination is suitable for outdoor use.

Dimensions



Specification Information

Step 1.

MGE70. [A]

Step 2. Size

- 4040** 40" x 40" [A]
- 6340** 63" x 40" [A]
- 8740** 87" x 40" [A]

Prices for Steps 1-2.

MGE70.4040	\$1839
6340	\$2155
8740	\$2798

Step 3. Base Finish

- YHQ** polished aluminum [A] +\$0
- YHB** black [A] +\$0

Step 4. Top Finish

- For 40" x 40" (4040) with polished aluminum (YHQ)*
- YHB** black [A] +\$0
 - YHP** white [A] +\$397

Step 5. Top Finish

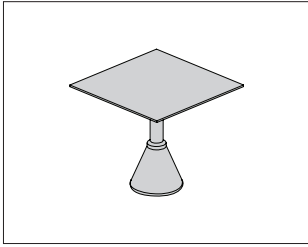
- For 63" x 40" (6340) with polished aluminum (YHQ)*
- YHB** black [A] +\$0
 - YHP** white [A] +\$554

Step 6. Top Finish

- For 87" x 40" (8740) with polished aluminum (YHQ)*
- YHB** black [A] +\$0
 - YHP** white [A] +\$1413

Step 7. Top Finish

- For black (YHB)*
- YHB** black [A] +\$0



Product Information

Description

The shape of this table is available in round or square with a concrete base. The frame is an anodised aluminum tube. The top is high pressure laminate. Finishes for the top and base are available in polished aluminum and black.

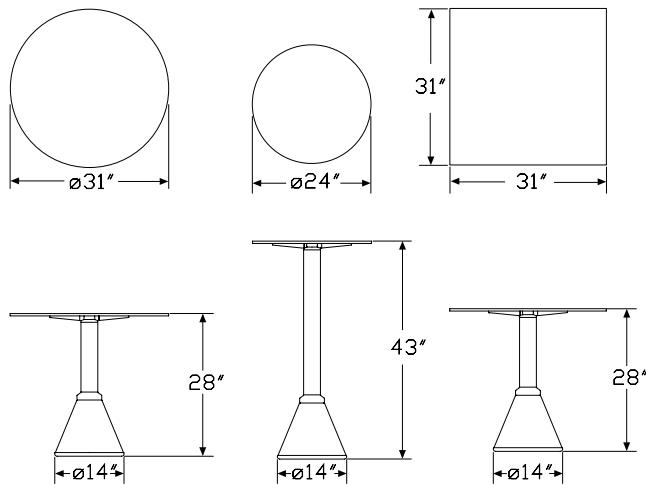
Notes

Table thickness is 1/2".

Table is suitable for outdoor use.

Polished aluminum (YHQ) base finish is NOT suitable for outdoor use.

Dimensions



Specification Information

Step 1.

MGE80. [A]

Step 2. Shape and Height

R28 round 28" high [A]

R43 round 43" high [A]

S28 square 28" high [A]

Prices for Steps 1-2.

MGE80.R28	\$1240
R43	\$1130
S28	\$1191

Step 3. Base Finish

YHQ polished aluminum [A] +\$0

YHB black [A] +\$0

Step 4. Top Finish

For polished aluminum (YHQ)

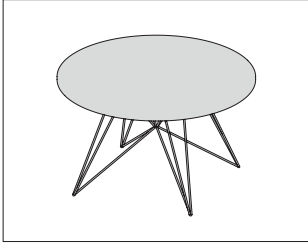
		R28	R43	S28
YHV	white with black edge [A]	+\$0	0	0
YHP	white [A]	+\$199	117	223

For black (YHB)

		R28	R43	S28
YHB	black [A]	+\$0	11	0

Tavolo XZ3 Table

MGT70.



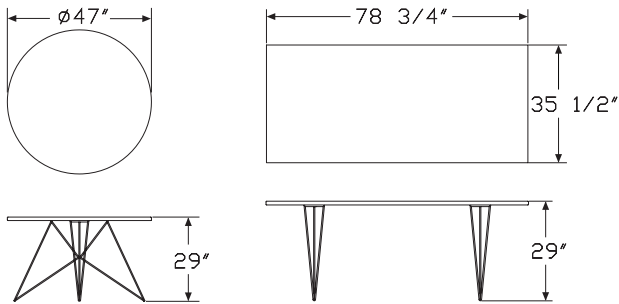
HermanMiller Collection—Tables

Product Information

Description

This table is available in a round or rectangular shape with top in Carrara marble or 1 1/8" thick painted MDF. The steel rod leg finish comes in chrome, painted white or black, or coated gold or copper.

Dimensions



Specification Information

Step 1.

MGT70.

Step 2. Shape

R round

T rectangular

Prices for Steps 1-2.

MGT70.R	\$1083
T	\$1111

Step 3. Top Finish

For round (R)

WNT walnut <input type="checkbox"/>	+\$1847
YPC white <input type="checkbox"/>	+\$0
YPD black <input type="checkbox"/>	+\$0
CRR Carrara marble <input type="checkbox"/>	+\$2837

For rectangular (T)

YPC white <input type="checkbox"/>	+\$0
YPD black <input type="checkbox"/>	+\$0

Step 4. Leg Finish

For rectangular (T)

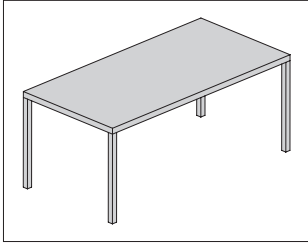
YPB chrome <input type="checkbox"/>	+\$0
YPC white <input type="checkbox"/>	+\$0
YPD black <input type="checkbox"/>	+\$0

For round (R)

YPB chrome <input type="checkbox"/>	+\$0
YPC white <input type="checkbox"/>	+\$0
YPD black <input type="checkbox"/>	+\$0
YDJ gold <input type="checkbox"/>	+\$150
YDH copper <input type="checkbox"/>	+\$150

Primo Table

MC14T.

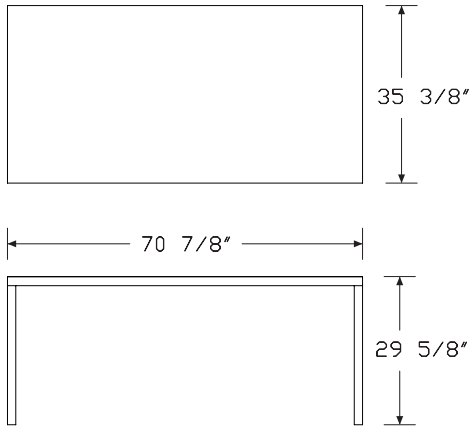


Product Information

Description

This table has a solid wood frame with a choice of veneer or FENIX NTM® top.

Dimensions



Specification Information

Step 1.

MC14T. [A]

Step 2. Size

3571 35"W x 71"L [A]

Prices for Steps 1-2.

MC14T. 3571 \$4040

Step 3. Frame/Top Finish

YCK	beech frame, beech veneer top [A]	+\$0
YOO	oak frame, oak veneer top [A]	+\$400
YCS	beech frame, FENIX NTM® top [A]	+\$800
YOF	oak frame, FENIX NTM® top [A]	+\$1060

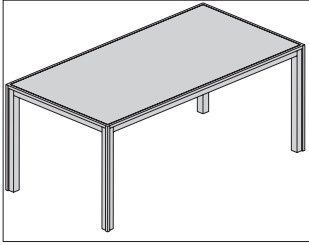
Step 4. Fenix NTM® Top Finish

For beech frame, FENIX NTM® top (YCS) or oak frame, FENIX NTM® top (YOF)

YBA	castoro ottawa [A]	+\$0
YBE	grigio Londra [A]	+\$0
YCA	grigio bromo [A]	+\$0
YCE	nero ingo [A]	+\$0

Doubleframe Table

DBL.



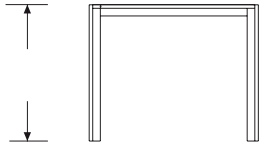
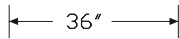
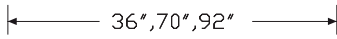
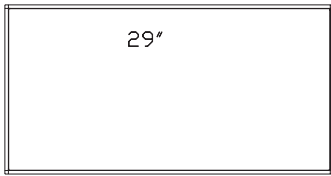
HermanMiller Collection—Tables

Product Information

Description

This table has a solid wood frame in oak or walnut and a 4-leg base. Top is available in matching wood or Carrara honeycomb marble. All tables are 29" high and 36" wide with length options of 70" or 92". Shipped knocked down.

Dimensions



Specification Information

Step 1.

DBL.

Step 2. Size

3670D 36" wide x 70" long

3692D 36" wide x 92" long

Step 3. Frame Finish

LTO light oak

OU walnut

Prices for Steps 1-3.

		LTO	OU
DBL.	3670D	\$3563	3741
	3692D	\$3959	4137

Step 4. Surface Finish

For walnut (OU)

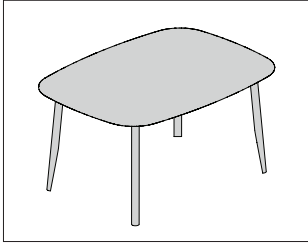
		3670D	3692D
CHM	carrara honeycomb marble <input type="checkbox"/>	+\$1940	2605
OU	walnut <input type="checkbox"/>	+\$0	0

For light oak (LTO)

		3670D	3692D
CHM	carrara honeycomb marble <input type="checkbox"/>	+\$1940	2605
LTO	light oak <input type="checkbox"/>	+\$0	0

Branca Table

MGR70.

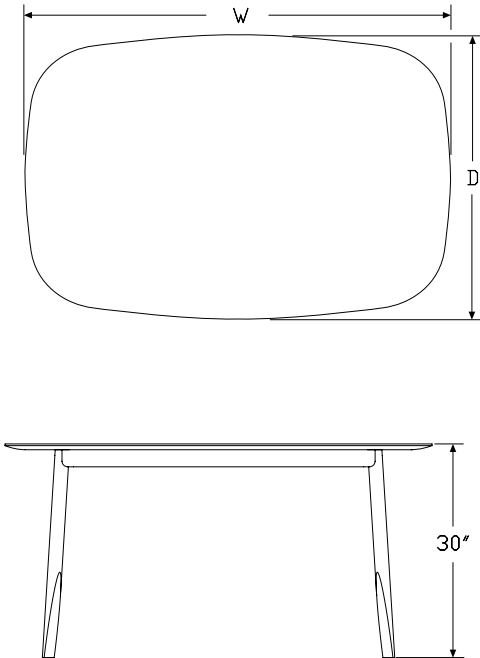


Product Information

Description

The top of this table is available in natural ash wood, or medium-density fiberboard with an anti scratch white finish. The base is made of solid ash.

Dimensions



Specification Information

Step 1.

MGR70. [A]

Step 2. Size

4359 43" x 59" [A]

4371 43" x 71" [A]

Prices for Steps 1-2.

MGR70.4359	\$3295
4371	\$3550

Step 3. Frame Finish

YRF natural wax ash [A] +\$0

Step 4. Top Finish

For 43" x 59" (4359) with natural wax ash (YRF)

YRJ mdf white lacquered [A] +\$0

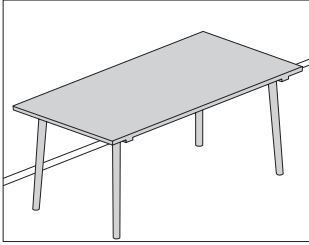
YQC natural ash [A] +\$300

For 43" x 71" (4371) with natural wax ash (YRF)

YRJ mdf white lacquered [A] +\$0

Facile Table

MC13T.



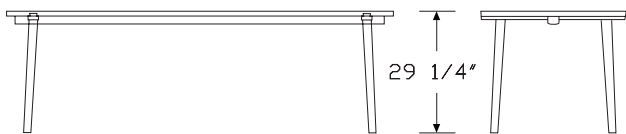
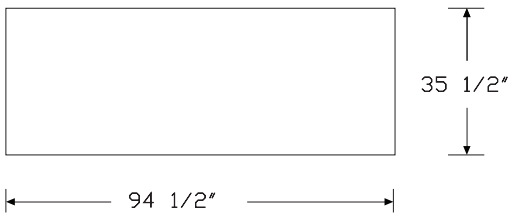
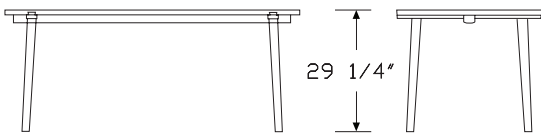
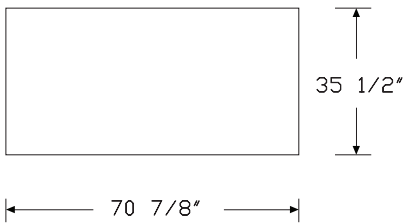
HermanMiller Collection—Tables

Product Information

Description

This table has a solid ash frame, available with a natural or black anilin finish.

Dimensions



Specification Information

Step 1.

MC13T. A

Step 2. Size

71 71" table A

95 95" table A

Prices for Steps 1-2.

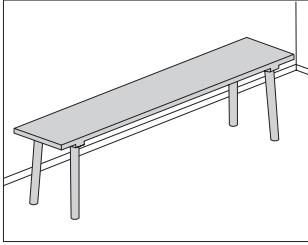
MC13T. 71	\$4600
95	\$5460

Step 3. Finish

	71	95
YQC natural ash A	+\$0	0
YQB black anilin ash A	+\$530	850

Facile Bench

MC13B.

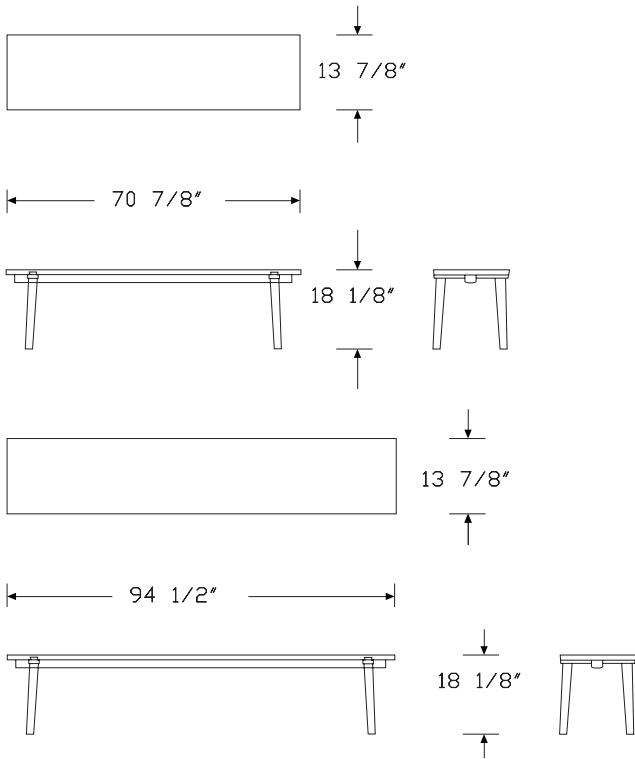


Product Information

Description

This table has a solid ash frame, available with a natural or black anilin finish.

Dimensions



Specification Information

Step 1.

MC13B. A

Step 2. Size

71 71" bench A

95 95" bench A

Prices for Steps 1-2.

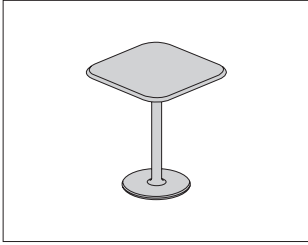
MC13B.71	\$2080
95	\$2500

Step 3. Finish

		71	95
YQC	natural ash A	+\$0	0
YQB	black anilin ash A	+\$160	210

Solo Table

MGZ70.

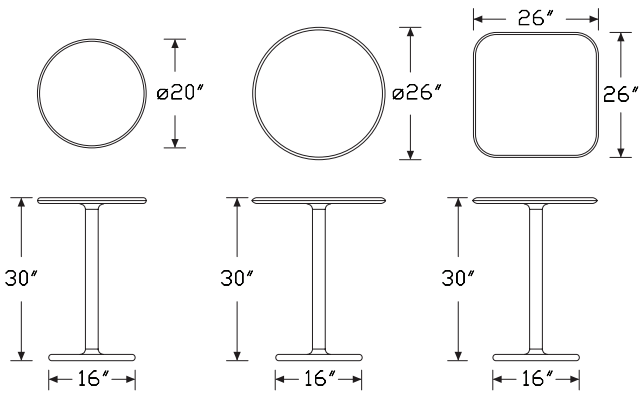


HermanMiller Collection—Tables

Product Information

Description
 This table is made of natural ash or oak. Available in 3 sizes with several color options in ash wood.

Dimensions



Specification Information

Step 1.

MGZ70.

Step 2. Size

- 2030** 20" diameter x 30" high
- 2630** 26" diameter x 30" high
- 2844** 26" wide x 26" long x 30" high

Prices for Steps 1-2.

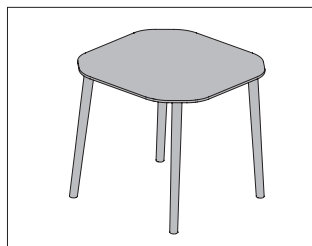
MGZ70.2030	\$1520
2630	\$1623
2844	\$1623

Step 3. Finish

ZQ1	dark red anilin ash <input type="checkbox"/>	+\$0
ZQ2	natural ash <input type="checkbox"/>	+\$0
ZQ3	anilin ash blue/black <input type="checkbox"/>	+\$0
ZQ4	anilin ash white <input type="checkbox"/>	+\$0
ZQ5	anilin ash neon blue <input type="checkbox"/>	+\$0
ZQ6	anilin ash turquoise <input type="checkbox"/>	+\$0
ZQ7	natural oak waxed <input type="checkbox"/>	+\$425

Tronco Table

MGK70.

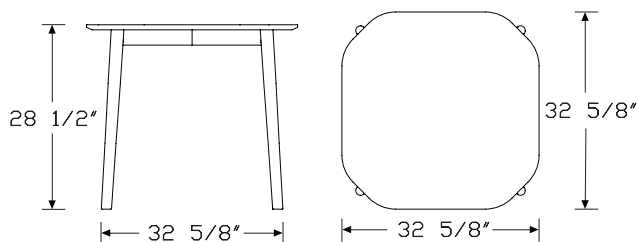


Product Information

Description

This wood table has a top constructed of solid wood strips and chamfered at the edges to mimic the silhouette of the Tronco chair. Table is available in a variety of finishes.

Dimensions



Specification Information

Step 1.

MGK70. A \$1479

Step 2. Frame

YSA ash A +\$0

Step 3. Finish

CNS chestnut stained A +\$0

WNS walnut stained A +\$0

YBC black A +\$0

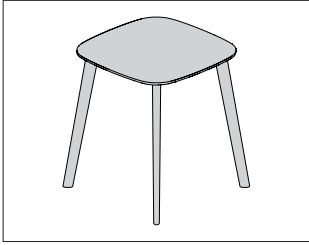
YBP white A +\$0

YNL natural A +\$0

YRL red A +\$0

Osso Table

MGJ70.



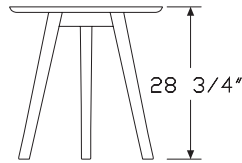
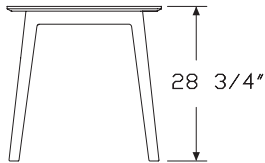
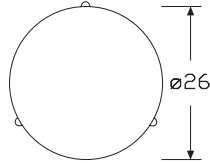
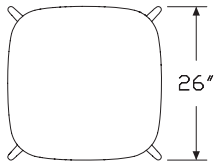
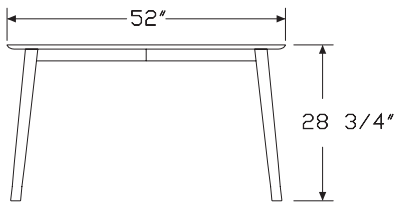
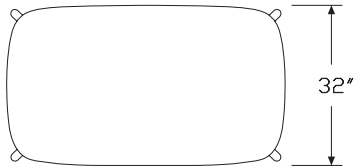
HermanMiller Collection—Tables

Product Information

Description

This is made of natural ash or oak. Available with several color options in ash wood.

Dimensions



Specification Information

Step 1.

MGJ70. A

Step 2. Size

2600 26" diameter A

2626 26" wide x 26" long A

3252 32" wide x 52" long A

Prices for Steps 1-2.

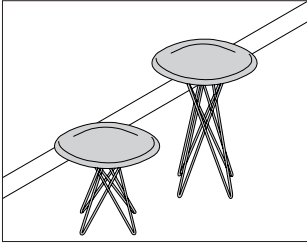
MGJ70. 2600	\$1329
2626	\$1638
3252	\$2339

Step 3. Finish

YSB black wax ash <input type="checkbox"/> A	+\$0
YSC blue wax ash <input type="checkbox"/> A	+\$0
YSD green wax ash <input type="checkbox"/> A	+\$0
YSF dark grey wax ash <input type="checkbox"/> A	+\$0
YSG natural wax ash <input type="checkbox"/> A	+\$0
YSH pink wax ash <input type="checkbox"/> A	+\$0
YSJ white wax ash <input type="checkbox"/> A	+\$0
YSL natural wax oak <input type="checkbox"/> A	+\$390

Pizza Table

MGG90.

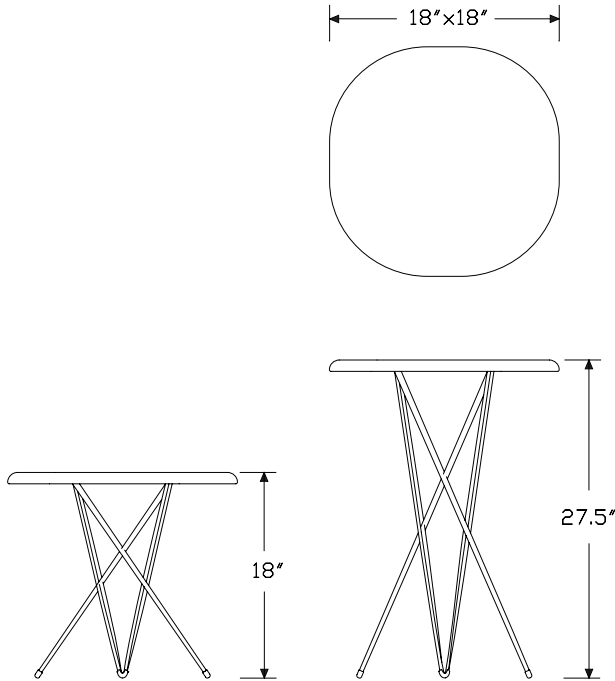


Product Information

Description

This table comes in low and high heights. The frame is painted steel rod, and the top is standard injection molded glossy ABS.

Dimensions



Specification Information

Step 1.

MGG90.

Step 2. Height

L low

H high

Prices for Steps 1-2.

MGG90.L	\$318
H	\$353

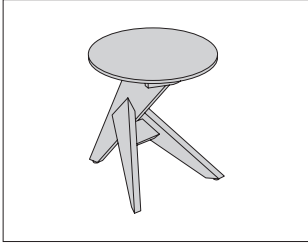
Step 3. Finish

YCR glossy brown +\$0

YCN glossy white +\$0

Medici Table

MGV70.



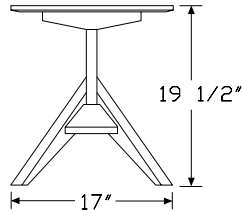
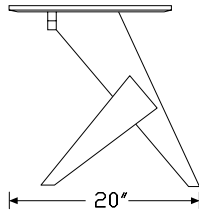
HermanMiller Collection—Tables

Product Information

Description

This solid wood table is available in ash, walnut and Douglas fir.

Dimensions



Specification Information

Step 1.

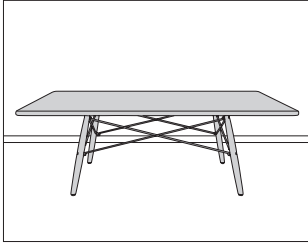
MGV70. [A] \$1040

Step 2. Frame Finish

- ZQF** yellow anilin ash [A] +\$0
- ZQH** douglas fir natural waxed [A] +\$0
- ZQJ** grey anilin ash [A] +\$0
- ZPA** red anilin ash [A] +\$0
- ZPB** black anilin ash [A] +\$0
- ZQG** natural walnut waxed [A] +\$225

Eames® Coffee Table

ECT30



Product Information

Description

This 15"-high table has a 5/8"-thick veneer surface or a stone top. The dowel base has powder-coated or chrome wire and non-adjustable nylon glides. Ships fully assembled except when specifying stone top.

Notes

Stone top actual thickness is 5/9". Illustration dimension is nominal.

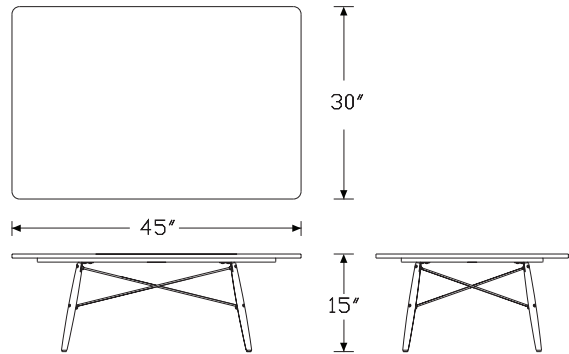
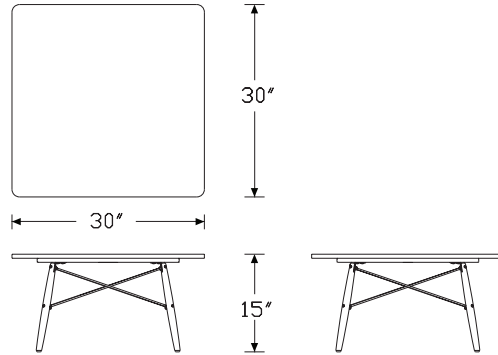
Ebony (EN) and walnut (OU) dowel legs are stained ash wood with black glides.

Natural maple (UL) and white ash (A2) dowel legs have white glides.

Natural characteristics in stone cause variations in hues, veins, crystals, and distinctive marks. These variations and subtle changes seen as the stone ages are values associated with natural materials. No two tabletops are identically the same; variations in both color and veining are to be expected. Over time the stone may fade in color, staining of the surface may appear, and surface cracks-if not already visible at time of purchase-may appear. Small cracks do not affect the structure of the tabletop.

Santos palisander veneer is celebrated for its unique grain and color variations. Similar products ordered in multiples or dissimilar products ordered separately should be expected to have variation in both grain and color characteristics; no two products will look exactly alike.

Dimensions

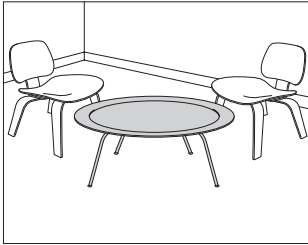


Eames® Coffee Table *continued*

Specification Information			
Step 1.			
ECT	<input type="checkbox"/>		
Step 2. Size			
3030	30" x 30"	<input type="checkbox"/>	
3045	30" x 45"	<input type="checkbox"/>	
Step 3. Top Material			
V	vener	<input type="checkbox"/>	
S	stone	<input type="checkbox"/>	
Prices for Steps 1-3.			
ECT3030 V			\$1040
S			\$2170
ECT3045 V			\$1190
S			\$2840
Step 4. Top Finish			
<i>For veneer (V)</i>			
		3030	3045
A2	white ash <input type="checkbox"/>	+\$30	0
EN	ebony <input type="checkbox"/>	+\$30	0
OU	walnut <input type="checkbox"/>	+\$30	50
9N	santos palisander <input type="checkbox"/>	+\$550	730
<i>For stone (S)</i>			
CRR	Carrara marble <input type="checkbox"/>		+\$0
Step 5. Dowel Finish			
UL	natural maple <input type="checkbox"/>		+\$0
A2	white ash <input type="checkbox"/>		+\$30
EN	ebony <input type="checkbox"/>		+\$30
OU	walnut <input type="checkbox"/>		+\$30
Step 6. Wire Finish			
91	white <input type="checkbox"/>		+\$0
BK	black <input type="checkbox"/>		+\$0
47	trivalent chrome <input type="checkbox"/>		+\$20

Eames® Molded Plywood Coffee Table Metal Base

CTM.



Product Information

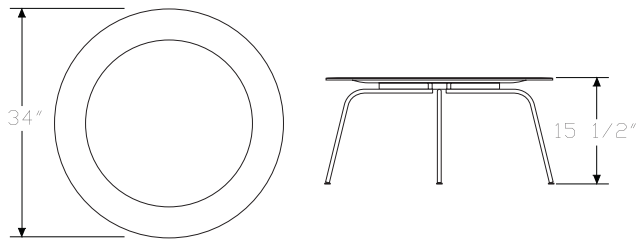
Description

This 15 1/2"-high molded plywood table has natural face veneers and hardwood inner plies. It has a 5-ply, 34"-diameter top and a 4-leg metal base with self-leveling nylon glides. Shipped knocked down.

Notes

Ebony (EN) option is stain on ash veneer; inner plies are not as visible. Black (BK) base finish has black glides. Trivalent chrome (47) base finish has white glides.

Dimensions



Specification Information

Step 1.

CTM. [A] \$1108

Step 2. Top Finish

OU walnut [A] +\$0

EN ebony [A] +\$50

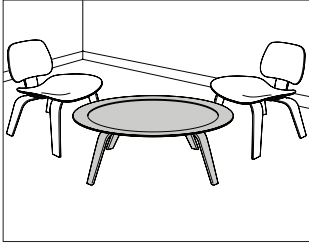
A2 white ash [A] +\$50

Step 3. Base Finish

BK black [A] +\$0

47 trivalent chrome [A] +\$20

Eames® Molded Plywood Coffee Table Wood Base CTW.

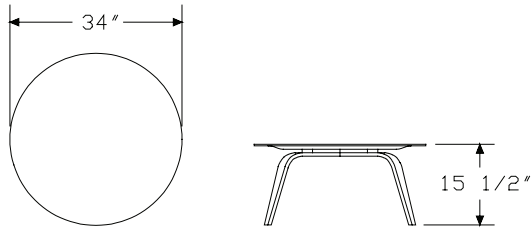


Product Information

Description
 This 15½"-high molded plywood table has natural face veneers and hardwood inner plies. It has a 5-ply, 34"-diameter top and an 8-ply 4-leg base. Shipped knocked down.

Notes
 Ebony (EN) option is stain on ash veneer; inner plies are not as visible.

Dimensions



Specification Information

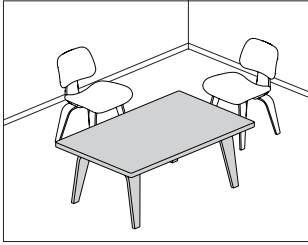
Step 1.
CTW. A \$1261

Step 2. Finish

EN	ebony <input type="checkbox"/> A	+\$115
OU	walnut <input type="checkbox"/> A	+\$0
A2	white ash <input type="checkbox"/> A	+\$115

HermanMiller Collection—Occasional Tables

Eames® Rectangular Coffee Table CTW1.



Product Information

Description

This 14"-high table has a laminate top with veneer edge or a veneer top and edge with curved molded plywood veneer legs. Shipped knocked down.

Notes

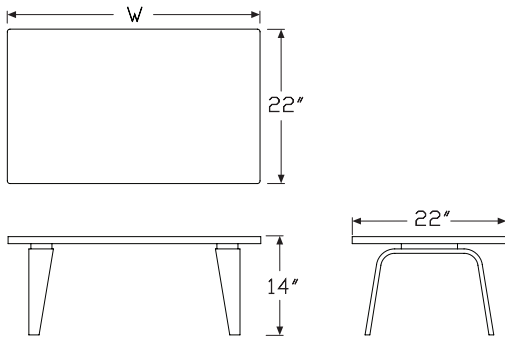
For white (91) laminate top option, veneer edge is walnut (OU).

For studio white (98) laminate top option, veneer edge is white ash (A2).

For black (BK) laminate top option, veneer edge is walnut (OU).

Ebony (EN) option is stain on ash veneer; inner plies are not as visible.

Dimensions



Specification Information

Step 1.

CTW1. [A]

Step 2. Depth/Width

2236 22" deep x 36" wide [A]

2248 22" deep x 48" wide [A]

Step 3. Surface Material

L laminate with veneer edge [A]

W veneer with veneer edge [A]

Prices for Steps 1-3.

	L	W
CTW1. 2236	\$1038	1104
2248	\$1082	1215

Step 4. Top Finish

For laminate with veneer edge (L)

91 white [A] +\$0

98 studio white [A] +\$0

BK black [A] +\$0

For veneer with veneer edge (W)

A2 white ash [A] +\$0

EN ebony [A] +\$0

OU walnut [A] +\$0

Step 5. Leg Finish

For white (91), black (BK), or walnut (OU)

OU walnut [A] +\$0

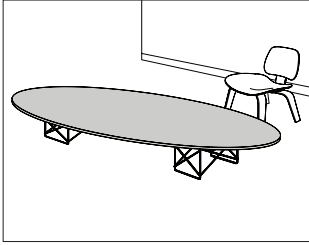
For white ash (A2) or studio white (98)

A2 white ash [A] +\$0

For ebony (EN)

EN ebony [A] +\$0

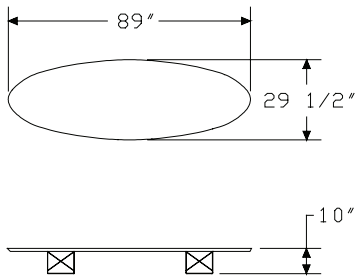
Eames® Wire Base Elliptical Table ETRT.



Product Information

Description
 This oval table has a 7/8"-thick laminate top, a 13-ply Baltic birch core and edge, and either a powder-coated or chrome wire base.

Dimensions



Specification Information

Step 1.
ETRT. [A] \$1195

Step 2. Top Finish

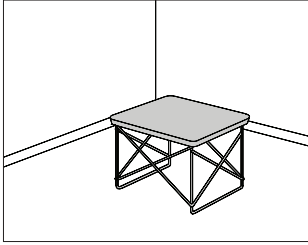
91	white	+\$0
98	studio white	+\$0
BK	black [A]	+\$0

Step 3. Base Finish

47	trivalent chrome	+\$0
91	white	+\$0
98	studio white	+\$0
BK	black [A]	+\$0

Eames® Wire Base Low Table

LTRT.



Product Information

Description

This table has a 7/8"-thick laminate or veneer surface with 13-ply Baltic birch core, or 3/4"-thick stone. The base is either powder-coated or chrome wire.

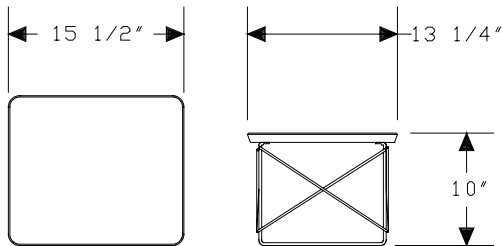
Notes

Stone has a honed finish and knife edge similar in profile to the Baltic birch core edge.

Natural characteristics in stone cause variations in hues, veins, crystals, and distinctive marks. These variations and subtle changes seen as the stone ages are values associated with natural materials. No two tabletops are identically the same; variations in both color and veining are to be expected. Over time the stone may fade in color, staining of the surface may appear, and surface cracks-if not already visible at time of purchase-may appear. Small cracks do not affect the structure of the tabletop.

Santos palisander veneer is celebrated for its unique grain and color variations. Similar products ordered in multiples or dissimilar products ordered separately should be expected to have variation in both grain and color characteristics; no two products will look exactly alike.

Dimensions



Specification Information

Step 1.

LTRT. A \$210

Step 2. Top Finish

Solid-Color Laminate

91	white	+ \$0
98	studio white	+ \$0
BK	black A	+ \$0

Wood Veneer

OU	walnut A	+ \$100
A2	white ash A	+ \$110
9N	santos palisander A	+ \$255

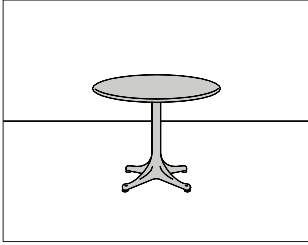
Stone

5U	georgia grey marble A	+ \$1359
HR	wisconsin black marble A	+ \$1419
CRR	Carrara marble A	+ \$1289

Step 3. Base Finish

91	white	+ \$0
98	studio white	+ \$0
BK	black A	+ \$0
47	trivalent chrome	+ \$20

Nelson™ Pedestal Table



- 5451L
- 5451S
- 5451W
- 5452L
- 5452S
- 5452W
- 5453L
- 5453S
- 5453W
- 5454L
- 5454S
- 5454W
- 5455L
- 5455S
- 5455W

Product Information

Description

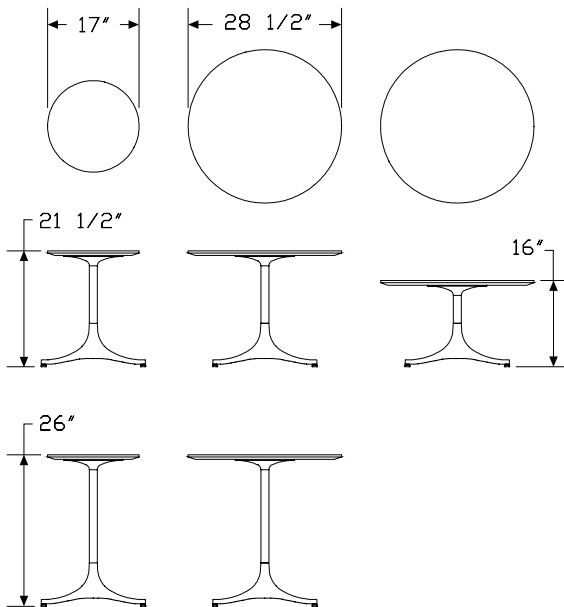
This round table has either a 7/8" thick laminate top with a veneer edge, a veneer top and edge, or a 3/4" thick stone top with a honed finish. Each top has a knife profile edge. Base is aluminum with adjustable glides.

Notes

Natural characteristics in stone cause variations in hues, veins, crystals, and distinctive marks. These variations and subtle changes seen as the stone ages are values associated with natural materials. No two tabletops are identically the same; variations in both color and veining are to be expected. Over time the stone may fade in color, staining of the surface may appear, and surface cracks-if not already visible at time of purchase-may appear. Small cracks do not affect the structure of the tabletop.

Santos palisander veneer is celebrated for its unique grain and color variations. Similar products ordered in multiples or dissimilar products ordered separately should be expected to have variation in both grain and color characteristics; no two products will look exactly alike.

Dimensions



Specification Information

Step 1.

545 A

Step 2. Height/Diameter

- 1 21 1/2" high x 17" diameter A
- 5 26" high x 17" diameter A
- 2 16" high x 28 1/2" diameter A
- 3 21 1/2" high x 28 1/2" diameter A
- 4 26" high x 28 1/2" diameter A

Step 3. Surface Material

- L laminate top A
- W veneer top A
- S stone top A

Prices for Steps 1-3.

5451L	\$797
5451W	\$922
5451S	\$2222
5455L	\$797
5455W	\$922
5455S	\$2222
5452L	\$953
5452W	\$1171
5452S	\$3544
5453L	\$953
5453W	\$1171
5453S	\$3544
5454L	\$953
5454W	\$1171
5454S	\$3544

Step 4. Base Finish

91	white <input type="checkbox"/> A	+\$0
98	studio white <input type="checkbox"/> A	+\$0
BK	black <input type="checkbox"/> A	+\$0
L	polished aluminum <input type="checkbox"/> A	+\$0

Step 5. Top Finish

For laminate top (L)

91	white <input type="checkbox"/> A	+\$0
98	studio white <input type="checkbox"/> A	+\$0
BK	black <input type="checkbox"/> A	+\$0

Nelson™ Pedestal Table *continued*

For veneer top (W)

		1	5	2	3	4
OU	walnut <input type="checkbox"/> A	+\$0	0	0	0	0
A2	white ash <input type="checkbox"/> A	+\$65	65	95	95	95
9N	santos palisander <input type="checkbox"/> A	+\$215	215	361	361	361
EN	ebony stain on white ash <input type="checkbox"/> A	+\$65	65	95	95	95

For stone top (S)

		1	5	2	3	4
5U	georgia grey marble <input type="checkbox"/> A	+\$225	225	360	360	360
HR	wisconsin black marble <input type="checkbox"/> A	+\$631	631	1022	1022	1022
CRR	Carrara marble <input type="checkbox"/> A	+\$100	100	285	285	285

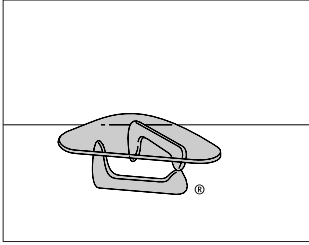
Step 6. Edge Band Detail

For laminate top (L)

A2	white ash <input type="checkbox"/> A					+\$50
9N	santos palisander <input type="checkbox"/> A					+\$100
OU	walnut <input type="checkbox"/> A					+\$25
UL	natural maple <input type="checkbox"/> A					+\$0

Noguchi® Table

IN50

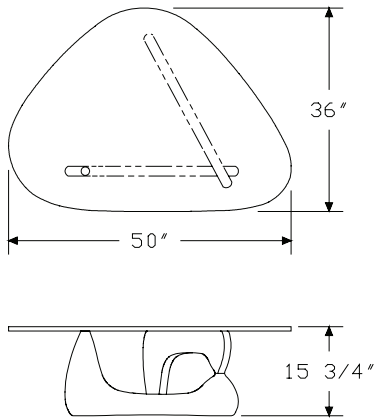


Product Information

Description

This table has a 3/4"-thick plate-glass top and a 2-piece wood base. Isamu Noguchi's signature appears on the edge of the glass top. An oval medallion with his signature and the Herman Miller logo is attached to the underside of the base. A certificate of authenticity is included with each table. Shipped knocked down.

Dimensions



Specification Information

Step 1.

IN50 A \$2040

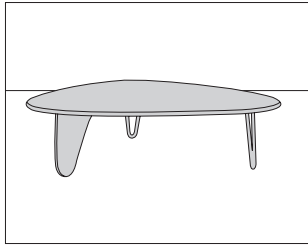
Step 2. Base Finish

E3 noguchi black A +\$50
OU walnut A +\$150
A2 white ash A +\$150

HermanMiller Collection—Occasional Tables

Noguchi® Rudder Table

IN52



Product Information

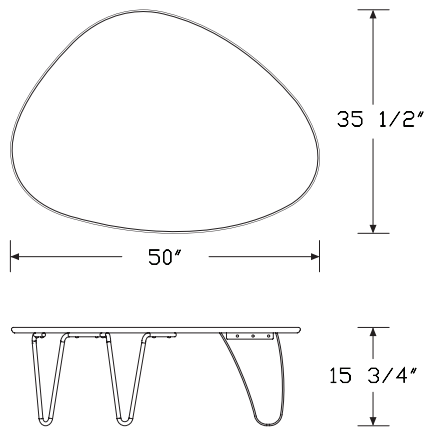
Description

This table has a 7/8"-thick top made from a Baltic birch core with veneer surface and beveled edge. Rudder leg is solid wood with veneer surface; hairpin legs are metal. Shipped knocked down.

Notes

Base finish only refers to the metal hairpin leg portion; rudder leg will follow the same species as the top finish.

Dimensions



Specification Information

Step 1.

IN52 A \$1549

Step 2. Top Finish

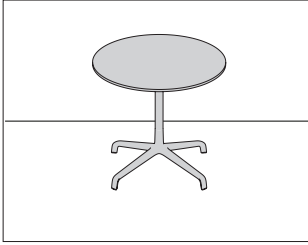
A2 white ash A +\$0

FD ebony on maple A +\$0

OU walnut A +\$0

Step 3. Base Finish

47 trivalent chrome A +\$20



Product Information

Description

This pedestal table comes in 2 heights and several top sizes with a choice of veneer, laminate, stone, or back-painted glass top with modified bullnose edge. Glass top is 1/2" thick and has a satin etch finish. Table has adjustable glides. Shipped knocked down.

Notes

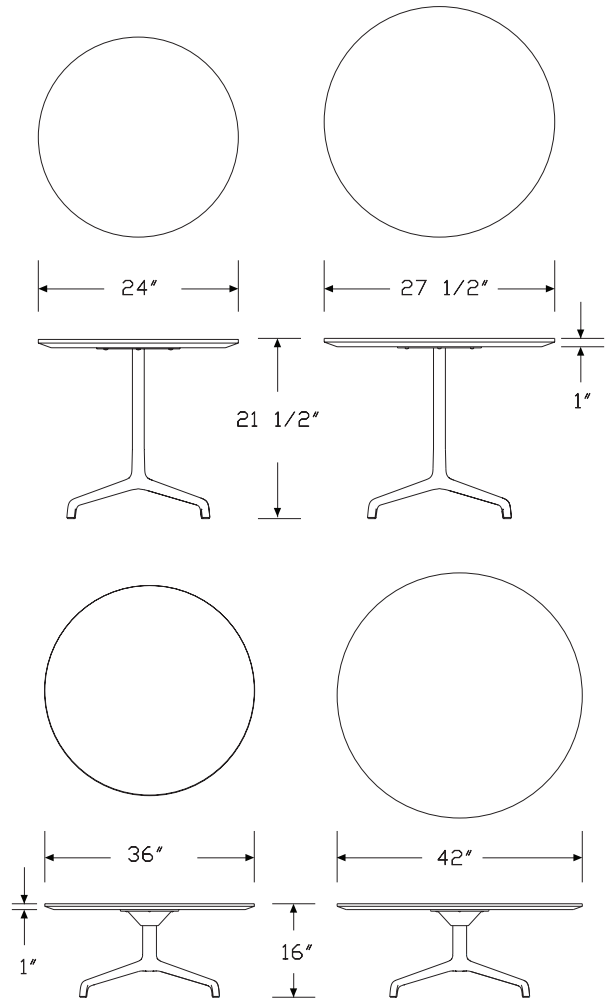
36" and 42" diameter tables may accommodate USB and power. Single center cutout, no grommet (CC) must be specified.

For power access, order round power module (ET991.) separately.

Santos palisander veneer is celebrated for its unique grain and color variations. Similar products ordered in multiples or dissimilar products ordered separately should be expected to have variation in both grain and color characteristics; no two products will look exactly alike.

HermanMiller Collection—Occasional Tables

Dimensions



Striad® Pedestal Table *continued*

Specification Information

Step 1.

CCL500. A

Step 2. Height/Diameter

1636	16" high x 36" diameter	A
1642	16" high x 42" diameter	A
2124	21.5" high x 24" diameter	A
2128	21.5" high x 27.5" diameter	A

Step 3. Surface Material

W	veneer top with veneer edge	A
G	back-painted glass top	A
L	laminated top	A
S	stone top	A

Step 4. Grommets

For 16" high x 36" diameter (1636) or 16" high x 42" diameter (1642)

NG	no grommet	A
CC	single center cutout, no grommet	A
CG	single center cutout, with grommet	A

For 21.5" high x 24" diameter (2124) or 21.5" high x 27.5" diameter (2128)

NG	no grommet	A
-----------	------------	---

Prices for Steps 1-4.

		NG	CC	CG
CCL500.	1636 W	\$1341	1341	1353
	G	\$2922	3055	3034
	L	\$1066	1077	1089
	S	\$5049	5116	5128
	1642 W	\$1800	1800	1812
	G	\$3792	3925	3904
	L	\$1350	1361	1373
	S	\$6867	6933	6946
	2124 W	\$1094	—	—
	G	\$1872	—	—
	L	\$856	—	—
	S	\$3804	—	—
	2128 W	\$1161	—	—
	G	\$2316	—	—
	L	\$923	—	—
	S	\$4230	—	—

Step 5. Top Finish

For back-painted glass top (G) AND laminate top (L)

			1636	1642	2124	2128
91	white	A	+\$0	0	0	0
8Q	folkstone grey	A	+\$0	0	0	0
WN	warm grey neutral	A	+\$0	0	0	0
BK	black	A	+\$0	0	0	0

For veneer top with veneer edge (W)

			1636	1642	2124	2128
A2	white ash	A	+\$0	0	0	0
EN	ebony	A	+\$11	11	22	22
OU	walnut	A	+\$11	11	22	22
9N	santos palisander	A	+\$118	147	253	340

For stone top (S)

			1636	1642	2124	2128
QPL	pearl quartz	A	+\$0	0	0	0
QCN	concrete quartz	A	+\$0	0	0	0
CRR	Carrara marble	A	+\$264	276	200	238
5U	georgia grey marble	A	+\$302	313	244	276
HR	wisconsin black marble	A	+\$493	511	671	982

Step 6. Grommet Finish

For 16" high x 36" diameter (1636) or 16" high x 42" diameter (1642) with single center cutout, with grommet (CG)

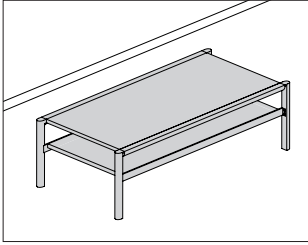
91	white	A				+\$0
BK	black	A				+\$0
PA	polished aluminum	A				+\$0

Step 7. Base Finish

91	white	A				+\$0
BK	black	A				+\$0
PA	polished aluminum	A				+\$0

Brabo Occasional Table

AV3AL
AV3AW
AV3WL
AV3WW

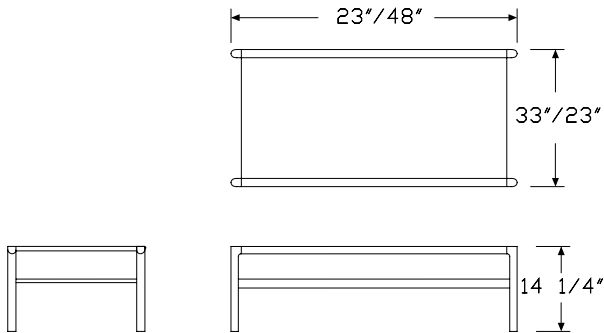


HermanMiller Collection—Occasional Tables

Product Information

Description
This table has a solid ash or walnut frame, and steel-plated metal in one of several metal finishes. Tops can be specified in wood veneer or leather-wrapped. Available as a side table or coffee table.

Dimensions



Specification Information

Step 1.

AV A

Step 2. Table Type

- 3AL** ash wood top with leather A
- 3WL** walnut wood top with leather A
- 3AW** ash wood top with wood A
- 3WW** walnut wood top with wood A

Step 3. Size

- 332314** 23" wide side table A
- 234814** 48" wide coffee table A

Prices for Steps 1-3.

AV3AL	-332314	\$2155
	-234814	\$2350
AV3WL	-332314	\$2235
	-234814	\$2460
AV3AW	-332314	\$2155
	-234814	\$2350
AV3WW	-332314	\$2235
	-234814	\$2460

Step 4. Wood Finish

Anigre Veneer - Low Sheen

For ash wood top with leather (3AL) or ash wood top with wood (3AW)

- 967** smoked paldao, low sheen A +\$0
- 969** warm paldao, low sheen A +\$0

Premium Veneer - Matte

For ash wood top with leather (3AL) or ash wood top with wood (3AW)

- 66A** frosty ash recograin, quarter cut, matte sheen A +\$0
- 677** chocolate ash, matte sheen A +\$0
- 68R** recograin rosewood A +\$0
- 69A** recograin frosty ash A +\$0
- 69R** recograin rosewood A +\$0
- 69T** recograin teak A +\$0
- 6K1** rift oak A +\$0
- ET** clear on ash A +\$0
- EU** oak on ash A +\$0
- EV** walnut on ash A +\$0
- GOU** natural walnut, flat cut, matte sheen A +\$0

Premium Veneer - Low Sheen

For ash wood top with leather (3AL) or ash wood top with wood (3AW)

940	sundance cherry on maple A	+\$0
943	caramel cherry A	+\$0
946	cocoa cherry A	+\$0
956	cocoa sapele A	+\$0
962	toasted walnut, low sheen A	+\$0
963	charred walnut, low sheen A	+\$0
964	bronzed walnut, low sheen A	+\$0
965	smoked walnut, low sheen A	+\$0
966	coffee walnut, low sheen A	+\$0
977	chocolate ash, low sheen A	+\$0
98R	recograin rosewood A	+\$0
991	champagne ash A	+\$0
998	ebony ash A	+\$0
99A	recograin frosty ash A	+\$0
99R	recograin rosewood A	+\$0
99T	recograin teak A	+\$0
9A1	white ash, quarter cut, low sheen A	+\$0
9K1	rift oak, rift cut, low sheen A	+\$0
9K6	burnt oak, rift cut, low sheen A	+\$0
ED	aged cherry A	+\$0
EK	medium red walnut A	+\$0
G2U	light brown walnut, low sheen A	+\$0
G40	dark brown walnut, low sheen A	+\$0
UX	walnut on cherry A	+\$0

RecoGrain Veneer

For ash wood top with leather (3AL) or ash wood top with wood (3AW)

66G	wenge recograin, quarter cut, matte sheen A	+\$0
68W	recograin walnut, flat cut, matte sheen A	+\$0
69G	recograin wenge, quarter cut, matte sheen A	+\$0
69W	recograin walnut, quarter cut, matte sheen A	+\$0

For ash wood top with leather (3AL) or ash wood top with wood (3AW)

98W	recograin walnut, flat cut, low sheen A	+\$0
99G	recograin wenge, quarter cut, low sheen A	+\$0
99W	recograin walnut, quarter cut, low sheen A	+\$0

Matte Wood Finishes

For ash wood top with leather (3AL) or ash wood top with wood (3AW)

6A1	white ash A	+\$0
6K6	burnt oak A	+\$0

Premium Veneer - Low Sheen

For walnut wood top with leather (3WL) or walnut wood top with wood (3WW)

962	toasted walnut, low sheen A	+\$0
963	charred walnut, low sheen A	+\$0
964	bronzed walnut, low sheen A	+\$0
965	smoked walnut, low sheen A	+\$0
966	coffee walnut, low sheen A	+\$0
972	sundance walnut A	+\$0
98R	recograin rosewood A	+\$0
99R	recograin rosewood A	+\$0
EK	medium red walnut A	+\$0
G2U	light brown walnut, low sheen A	+\$0
G40	dark brown walnut, low sheen A	+\$0

Premium Veneer - Matte

For walnut wood top with leather (3WL) or walnut wood top with wood (3WW)

662	toasted walnut, matte sheen A	+\$0
663	charred walnut, matte sheen A	+\$0
664	bronzed walnut, matte sheen A	+\$0
665	smoked walnut, matte sheen A	+\$0
666	coffee walnut, matte sheen A	+\$0
667	smoked paldao, quarter cut, matte sheen A	+\$0
669	warm paldao, quarter cut, matte sheen A	+\$0
68R	recograin rosewood A	+\$0
69R	recograin rosewood A	+\$0
GOU	natural walnut, flat cut, matte sheen A	+\$0

Anigre Veneer - Low Sheen

For walnut wood top with leather (3WL) or walnut wood top with wood (3WW)

967	smoked paldao, low sheen A	+\$0
969	warm paldao, low sheen A	+\$0

For walnut wood top with leather (3WL) or walnut wood top with wood (3WW)

66G	recograin wenge A	+\$0
69G	recograin wenge A	+\$0

For walnut wood top with leather (3WL) or walnut wood top with wood (3WW)

96G	wenge recograin, quarter cut, low sheen A	+\$0
99G	recograin wenge, quarter cut, low sheen A	+\$0

Brabo Occasional Table *continued*

Step 5. Leather Top

For ash wood top with leather (3AL) AND walnut wood top with leather (3WL)

	-332314	-234814
Price Category 11	+\$210	314

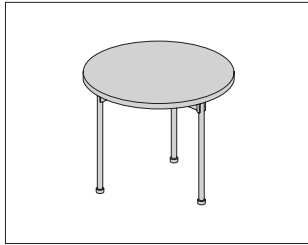
Step 6. Base Finish

BNZ	bronze <input type="checkbox"/> A	+\$0
CHR	chrome <input type="checkbox"/> A	+\$0
SAC	satin chrome <input type="checkbox"/> A	+\$0

HermanMiller Collection—Occasional Tables

Claw Table

ACL1A

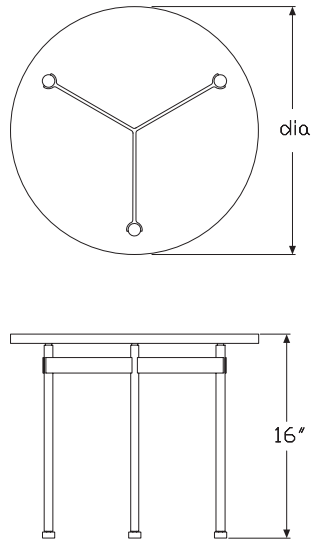


Product Information

Description

The table top is 3/4" thick clear glass with a metal base.

Dimensions



Specification Information

Step 1.

ACL1A

Step 2. Dimensions

- 20** 20" diameter x 16" high
- 24** 24" diameter x 16" high
- 36** 36" diameter x 16" high

Prices for Steps 1-2.

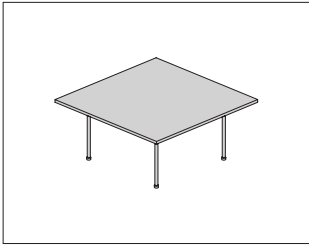
ACL1A -20	\$2020
-24	\$2225
-36	\$3235

Step 3. Base Finish

926 black <input type="checkbox"/>	+\$0
BNZ bronze <input type="checkbox"/>	+\$0
CHR chrome <input type="checkbox"/>	+\$0
EH metallic bronze <input type="checkbox"/>	+\$0
MS metallic silver <input type="checkbox"/>	+\$0
SAC satin chrome <input type="checkbox"/>	+\$0

Claw Occasional Table, Square

ACL2A

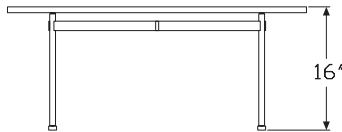
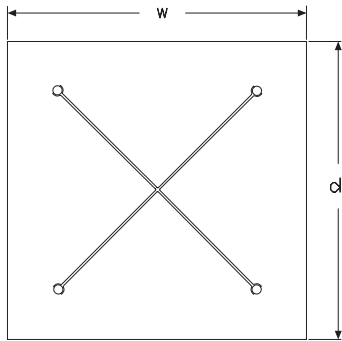


Product Information

Description

The table top is 3/4" thick clear glass with a metal base.

Dimensions



Specification Information

Step 1.

ACL2A

Step 2. Dimensions

-3636 36" square x 16" high

-4040 40" square x 16" high

Prices for Steps 1-2.

ACL2A -3636	\$3255
-4040	\$3510

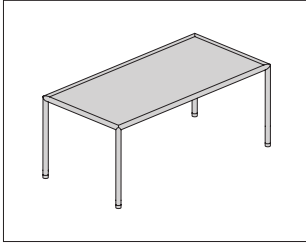
Step 3. Base Finish

926 black <input type="checkbox"/>	+\$0
BNZ bronze <input type="checkbox"/>	+\$0
CHR chrome <input type="checkbox"/>	+\$0
EH metallic bronze <input type="checkbox"/>	+\$0
MS metallic silver <input type="checkbox"/>	+\$0
SAC satin chrome <input type="checkbox"/>	+\$0

HermanMiller Collection—Occasional Tables

Full Round Table

AWR2-



Product Information

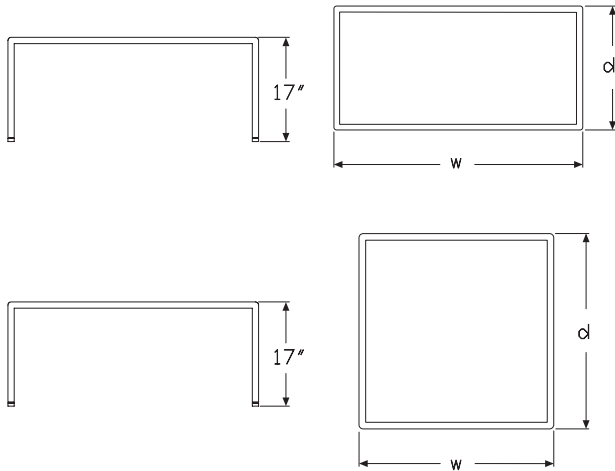
Description

This table has a wood top and metal base.

Notes

Santos palisander veneer is celebrated for its unique grain and color variations. Similar products ordered in multiples or dissimilar products ordered separately should be expected to have variation in both grain and color characteristics; no two products will look exactly alike.

Dimensions



Specification Information

Step 1.

AWR2

Step 2. Dimensions

- 2020** 20" square x 17" high
- 2424** 24" square x 17" high
- 3030** 30" square x 17" high
- 3020** 30" deep x 20" wide x 17" high
- 4020** 40" deep x 20" wide x 17" high

Prices for Steps 1-2.

AWR2-2020	\$1625
AWR2-2424	\$1840
AWR2-3030	\$2205
AWR2-3020	\$2010
AWR2-4020	\$2150

Step 3. Wood Finish

Premium Veneer - Low Sheen

For 20" square x 17" high (-2020)

931	champagne anigre (natural) <input type="checkbox"/>	+\$291
932	sundance anigre <input type="checkbox"/>	+\$291
933	caramel anigre <input type="checkbox"/>	+\$291
934	henna anigre <input type="checkbox"/>	+\$291
941	natural beech <input type="checkbox"/>	+\$0
942	sundance cherry (natural) <input type="checkbox"/>	+\$0
943	caramel cherry <input type="checkbox"/>	+\$0
946	cocoa cherry <input type="checkbox"/>	+\$0
951	natural anigre <input type="checkbox"/>	+\$632
956	cocoa sapele <input type="checkbox"/>	+\$0
962	toasted walnut, low sheen <input type="checkbox"/>	+\$0
963	charred walnut, low sheen <input type="checkbox"/>	+\$0
964	bronzed walnut, low sheen <input type="checkbox"/>	+\$0
965	smoked walnut, low sheen <input type="checkbox"/>	+\$0
966	coffee walnut, low sheen <input type="checkbox"/>	+\$0
967	smoked paldao, low sheen <input type="checkbox"/>	+\$237
969	warm paldao, low sheen <input type="checkbox"/>	+\$237
972	sundance walnut <input type="checkbox"/>	+\$0
977	chocolate ash, low sheen <input type="checkbox"/>	+\$0
978	natural oak <input type="checkbox"/>	+\$0
981	champagne hickory (natural) <input type="checkbox"/>	+\$0
98R	recograin rosewood <input type="checkbox"/>	+\$0
991	champagne ash <input type="checkbox"/>	+\$0
998	ebony ash <input type="checkbox"/>	+\$0
99A	recograin frosty ash <input type="checkbox"/>	+\$0

Full Round Table *continued*

99R	recograin rosewood A	+\$0
99T	recograin teak A	+\$0
9A1	white ash, quarter cut, low sheen A	+\$0
9K1	rift oak, rift cut, low sheen A	+\$0
9K6	burnt oak, rift cut, low sheen A	+\$0
ED	aged cherry A	+\$0
EK	medium red walnut A	+\$0
G2U	light brown walnut, low sheen A	+\$0
G40	dark brown walnut, low sheen A	+\$0
UX	walnut on cherry A	+\$0

Premium Veneer - Matte

For 20" square x 17" high (-2020)

662	toasted walnut, matte sheen A	+\$0
663	charred walnut, matte sheen A	+\$0
664	bronzed walnut, matte sheen A	+\$0
665	smoked walnut, matte sheen A	+\$0
666	coffee walnut, matte sheen A	+\$0
667	smoked paldao, quarter cut, matte sheen A	+\$237
669	warm paldao, quarter cut, matte sheen A	+\$237
66A	recograin frosty ash A	+\$0
677	chocolate ash, matte sheen A	+\$0
678	natural oak A	+\$0
68R	recograin rosewood A	+\$0
69A	recograin frosty ash A	+\$0
69R	recograin rosewood A	+\$0
69T	recograin teak A	+\$0
6A1	white ash A	+\$0
6K1	rift oak A	+\$0
6K6	burnt oak A	+\$0
ET	clear on ash A	+\$0
EU	oak on ash A	+\$0
EV	walnut on ash A	+\$0
GOU	natural walnut, flat cut, matte sheen A	+\$0

RecoGrain Veneer

For 20" square x 17" high (-2020)

66G	recograin wenge A	-\$79
68W	recograin walnut, flat cut, matte sheen A	-\$79
69G	recograin wenge A	-\$79
69K	recograin oak, quarter cut, matte sheen A	-\$79
69W	recograin walnut, quarter cut, matte sheen A	-\$79

Recon Veneer -

For 20" square x 17" high (-2020)

96G	wenge recograin, quarter cut, low sheen A	-\$79
98W	recograin walnut, flat cut, low sheen A	-\$79
99G	recograin wenge, quarter cut, low sheen A	-\$79
99K	recograin oak, quarter cut, low sheen A	-\$79
99W	recograin walnut, quarter cut, low sheen A	-\$79

For 24" square x 17" high (-2424)

662	toasted walnut, matte sheen A	+\$0
663	charred walnut, matte sheen A	+\$0
664	bronzed walnut, matte sheen A	+\$0
665	smoked walnut, matte sheen A	+\$0
666	coffee walnut, matte sheen A	+\$0
667	smoked paldao, quarter cut, matte sheen A	+\$268
669	warm paldao, quarter cut, matte sheen A	+\$268
66A	frosty ash recograin, quarter cut, matte sheen A	+\$0
677	chocolate ash, matte sheen A	+\$0
678	natural oak A	+\$0
68R	recograin rosewood A	+\$0
69A	recograin frosty ash A	+\$0
69R	recograin rosewood A	+\$0
69T	recograin teak A	+\$0
6A1	white ash A	+\$0
6K1	rift oak A	+\$0
6K6	burnt oak A	+\$0
ET	clear on ash A	+\$0
EU	oak on ash A	+\$0
EV	walnut on ash A	+\$0
GOU	natural walnut, flat cut, matte sheen A	+\$0

For 24" square x 17" high (-2424)

66G	recograin wenge A	-\$90
68W	recograin walnut, flat cut, matte sheen A	-\$90
69G	recograin wenge A	-\$90
69K	recograin oak, quarter cut, matte sheen A	-\$90
69W	recograin walnut, quarter cut, matte sheen A	-\$90

For 24" square x 17" high (-2424)

96G	wenge recograin, quarter cut, low sheen A	-\$90
98W	recograin walnut, flat cut, low sheen A	-\$90
99G	recograin wenge, quarter cut, low sheen A	-\$90
99K	recograin oak, quarter cut, low sheen A	-\$90
99W	recograin walnut, quarter cut, low sheen A	-\$90

Full Round Table *continued*

For 24" square x 17" high (-2424)

931	champagne anigre (natural) A	+\$330
932	sundance anigre A	+\$330
933	caramel anigre A	+\$330
934	henna anigre A	+\$330
941	natural beech A	+\$0
942	sundance cherry (natural) A	+\$0
943	caramel cherry A	+\$0
946	cocoa cherry A	+\$0
951	natural anigre A	+\$714
956	cocoa sapele A	+\$0
962	toasted walnut, low sheen A	+\$0
963	charred walnut, low sheen A	+\$0
964	bronzed walnut, low sheen A	+\$0
965	smoked walnut, low sheen A	+\$0
966	coffee walnut, low sheen A	+\$0
967	smoked paldao, low sheen A	+\$268
969	warm paldao, low sheen A	+\$268
972	sundance walnut A	+\$0
977	chocolate ash, low sheen A	+\$0
978	natural oak A	+\$0
981	champagne hickory (natural) A	+\$0
98R	recograin rosewood A	+\$0
991	champagne ash A	+\$0
998	ebony ash A	+\$0
99A	recograin frosty ash A	+\$0
99R	recograin rosewood A	+\$0
99T	recograin teak A	+\$0
9A1	white ash, quarter cut, low sheen A	+\$0
9K1	rift oak, rift cut, low sheen A	+\$0
9K6	burnt oak, rift cut, low sheen A	+\$0
ED	aged cherry A	+\$0
EK	medium red walnut A	+\$0
G2U	light brown walnut, low sheen A	+\$0
G40	dark brown walnut, low sheen A	+\$0
UX	walnut on cherry A	+\$0

For 30" square x 17" high (-3030)

662	toasted walnut, matte sheen A	+\$0
663	charred walnut, matte sheen A	+\$0
664	bronzed walnut, matte sheen A	+\$0
665	smoked walnut, matte sheen A	+\$0
666	coffee walnut, matte sheen A	+\$0
667	smoked paldao, quarter cut, matte sheen A	+\$322
669	warm paldao, quarter cut, matte sheen A	+\$322
66A	recograin frosty ash A	+\$0
677	chocolate ash, matte sheen A	+\$0
678	natural oak A	+\$0
68R	recograin rosewood A	+\$0
69A	recograin frosty ash A	+\$0
69R	recograin rosewood A	+\$0
69T	recograin teak A	+\$0
6A1	white ash A	+\$0
6K1	rift oak A	+\$0
6K6	burnt oak A	+\$0
ET	clear on ash A	+\$0
EU	oak on ash A	+\$0
EV	walnut on ash A	+\$0
GOU	natural walnut, flat cut, matte sheen A	+\$0

For 30" square x 17" high (-3030)

66G	recograin wenge A	-\$108
68W	recograin walnut, flat cut, matte sheen A	-\$108
69G	recograin wenge A	-\$108
69K	recograin oak, quarter cut, matte sheen A	-\$108
69W	recograin walnut, quarter cut, matte sheen A	-\$108

For 30" square x 17" high (-3030)

96G	wenge recograin, quarter cut, low sheen A	-\$108
98W	recograin walnut, flat cut, low sheen A	-\$108
99G	recograin wenge, quarter cut, low sheen A	-\$108
99K	recograin oak, quarter cut, low sheen A	-\$108
99W	recograin walnut, quarter cut, low sheen A	-\$108

For 30" square x 17" high (-3030)

931	champagne anigre (natural) A	+\$397
932	sundance anigre A	+\$397
933	caramel anigre A	+\$397
934	henna anigre A	+\$397
941	natural beech A	+\$0
942	sundance cherry (natural) A	+\$0
943	caramel cherry A	+\$0
946	cocoa cherry A	+\$0
951	natural anigre A	+\$857

Full Round Table *continued*

956	cocoa sapele A	+\$0
962	toasted walnut, low sheen A	+\$0
963	charred walnut, low sheen A	+\$0
964	bronzed walnut, low sheen A	+\$0
965	smoked walnut, low sheen A	+\$0
966	coffee walnut, low sheen A	+\$0
967	smoked paldao, low sheen A	+\$322
969	warm paldao, low sheen A	+\$322
972	sundance walnut A	+\$0
977	chocolate ash, low sheen A	+\$0
978	natural oak A	+\$0
981	champagne hickory (natural) A	+\$0
98R	recograin rosewood A	+\$0
991	champagne ash A	+\$0
998	ebony ash A	+\$0
99A	recograin frosty ash A	+\$0
99R	recograin rosewood A	+\$0
99T	recograin teak A	+\$0
9A1	white ash, quarter cut, low sheen A A	+\$0
9K1	rift oak, rift cut, low sheen A	+\$0
9K6	burnt oak, rift cut, low sheen A	+\$0
ED	aged cherry A	+\$0
EK	medium red walnut A	+\$0
G2U	light brown walnut, low sheen A	+\$0
G40	dark brown walnut, low sheen A	+\$0
UX	walnut on cherry A	+\$0

For 30" deep x 20" wide x 17" high (-3020)

662	toasted walnut, matte sheen A	+\$0
663	charred walnut, matte sheen A	+\$0
664	bronzed walnut, matte sheen A	+\$0
665	smoked walnut, matte sheen A	+\$0
666	coffee walnut, matte sheen A	+\$0
667	smoked paldao, quarter cut, matte sheen A	+\$293
669	warm paldao, quarter cut, matte sheen A	+\$293
66A	recograin frosty ash A	+\$0
677	chocolate ash, matte sheen A	+\$0
678	natural oak A	+\$0
68R	recograin rosewood A	+\$0
69A	recograin frosty ash A	+\$0
69R	recograin rosewood A	+\$0
69T	recograin teak A	+\$0
6A1	white ash A	+\$0
6K1	rift oak A	+\$0
6K6	burnt oak A	+\$0
ET	clear on ash A	+\$0
EU	oak on ash A	+\$0
EV	walnut on ash A	+\$0
GOU	natural walnut, flat cut, matte sheen A	+\$0

For 30" deep x 20" wide x 17" high (-3020)

66G	recograin wenge A	-\$98
68W	recograin walnut, flat cut, matte sheen A	-\$98
69G	recograin wenge A	-\$98
69K	recograin oak, quarter cut, matte sheen A	-\$98
69W	recograin walnut, quarter cut, matte sheen A	-\$98

For 30" deep x 20" wide x 17" high (-3020)

96G	wenge recograin, quarter cut, low sheen A	-\$98
98W	recograin walnut, flat cut, low sheen A	-\$98
99G	recograin wenge, quarter cut, low sheen A	-\$98
99K	recograin oak, quarter cut, low sheen A	-\$98
99W	recograin walnut, quarter cut, low sheen A	-\$98

For 30" deep x 20" wide x 17" high (-3020)

931	champagne anigre (natural) A	+\$364
932	sundance anigre A	+\$364
933	caramel anigre A	+\$364
934	henna anigre A	+\$364
941	natural beech A	+\$0
942	sundance cherry (natural) A	+\$0
943	caramel cherry A	+\$0
946	cocoa cherry A	+\$0
951	natural anigre A	+\$781

956	cocoa sapele [A]	+\$0
962	toasted walnut, low sheen [A]	+\$0
963	charred walnut, low sheen [A]	+\$0
964	bronzed walnut, low sheen [A]	+\$0
965	smoked walnut, low sheen [A]	+\$0
966	coffee walnut, low sheen [A]	+\$0
967	smoked paldao, low sheen [A]	+\$293
969	warm paldao, low sheen [A]	+\$293
972	sundance walnut [A]	+\$0
977	chocolate ash, low sheen [A]	+\$0
978	natural oak [A]	+\$0
981	champagne hickory (natural) [A]	+\$0
98R	recograin rosewood [A]	+\$0
991	champagne ash [A]	+\$0
998	ebony ash [A]	+\$0
99A	recograin frosty ash [A]	+\$0
99R	recograin rosewood [A]	+\$0
99T	recograin teak [A]	+\$0
9A1	white ash, quarter cut, low sheen [A]	+\$0
9K1	rift oak, rift cut, low sheen [A]	+\$0
9K6	burnt oak, rift cut, low sheen [A]	+\$0
ED	aged cherry [A]	+\$0
EK	medium red walnut [A]	+\$0
G2U	light brown walnut, low sheen [A]	+\$0
G40	dark brown walnut, low sheen [A]	+\$0
UX	walnut on cherry [A]	+\$0

For 40" deep x 20" wide x 17" high (-4020)

662	toasted walnut, matte sheen [A]	+\$0
663	charred walnut, matte sheen [A]	+\$0
664	bronzed walnut, matte sheen [A]	+\$0
665	smoked walnut, matte sheen [A]	+\$0
666	coffee walnut, matte sheen [A]	+\$0
667	smoked paldao, quarter cut, matte sheen [A]	+\$314
669	warm paldao, quarter cut, matte sheen [A]	+\$314
66A	recograin frosty ash [A]	+\$0
677	chocolate ash, matte sheen [A]	+\$0
678	natural oak [A]	+\$0
68R	recograin rosewood [A]	+\$0
69A	recograin frosty ash [A]	+\$0
69R	recograin rosewood [A]	+\$0
69T	recograin teak [A]	+\$0
6A1	white ash [A]	+\$0
6K1	rift oak [A]	+\$0
6K6	burnt oak [A]	+\$0
ET	clear on ash [A]	+\$0
EU	oak on ash [A]	+\$0
EV	walnut on ash [A]	+\$0
GOU	natural walnut, flat cut, matte sheen [A]	+\$0

For 40" deep x 20" wide x 17" high (-4020)

66G	recograin wenge [A]	-\$105
68W	recograin walnut, flat cut, matte sheen [A]	-\$105
69G	recograin wenge [A]	-\$105
69K	recograin oak, quarter cut, matte sheen [A]	-\$105
69W	recograin walnut, quarter cut, matte sheen [A]	-\$105

For 40" deep x 20" wide x 17" high (-4020)

96G	wenge recograin, quarter cut, low sheen [A]	-\$105
98W	recograin walnut, flat cut, low sheen [A]	-\$105
99G	recograin wenge, quarter cut, low sheen [A]	-\$105
99K	recograin oak, quarter cut, low sheen [A]	-\$105
99W	recograin walnut, quarter cut, low sheen [A]	-\$105

For 40" deep x 20" wide x 17" high (-4020)

931	champagne anigre (natural) [A]	+\$390
932	sundance anigre [A]	+\$390
933	caramel anigre [A]	+\$390
934	henna anigre [A]	+\$390
941	natural beech [A]	+\$0
942	sundance cherry (natural) [A]	+\$0
943	caramel cherry [A]	+\$0
946	cocoa cherry [A]	+\$0
951	natural anigre [A]	+\$835

Full Round Table *continued*

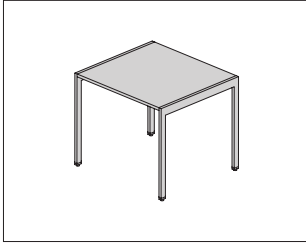
956	cocoa sapele <input type="checkbox"/> A	+\$0
962	toasted walnut, low sheen <input type="checkbox"/> A	+\$0
963	charred walnut, low sheen <input type="checkbox"/> A	+\$0
964	bronzed walnut, low sheen <input type="checkbox"/> A	+\$0
965	smoked walnut, low sheen <input type="checkbox"/> A	+\$0
966	coffee walnut, low sheen <input type="checkbox"/> A	+\$0
967	smoked paldao, low sheen <input type="checkbox"/> A	+\$314
969	warm paldao, low sheen <input type="checkbox"/> A	+\$314
972	sundance walnut <input type="checkbox"/> A	+\$0
977	chocolate ash, low sheen <input type="checkbox"/> A	+\$0
978	natural oak <input type="checkbox"/> A	+\$0
981	champagne hickory (natural) <input type="checkbox"/> A	+\$0
98R	recograin rosewood <input type="checkbox"/> A	+\$0
991	champagne ash <input type="checkbox"/> A	+\$0
998	ebony ash <input type="checkbox"/> A	+\$0
99A	recograin frosty ash <input type="checkbox"/> A	+\$0
99R	recograin rosewood <input type="checkbox"/> A	+\$0
99T	recograin teak <input type="checkbox"/> A	+\$0
9A1	white ash, quarter cut, low sheen <input type="checkbox"/> A	+\$0
9K1	rift oak, rift cut, low sheen <input type="checkbox"/> A	+\$0
9K6	burnt oak, rift cut, low sheen <input type="checkbox"/> A	+\$0
ED	aged cherry <input type="checkbox"/> A	+\$0
EK	medium red walnut <input type="checkbox"/> A	+\$0
G2U	light brown walnut, low sheen <input type="checkbox"/> A	+\$0
G40	dark brown walnut, low sheen <input type="checkbox"/> A	+\$0
UX	walnut on cherry <input type="checkbox"/> A	+\$0

Step 4. Base Finish

926	black <input type="checkbox"/> A	+\$0
BNZ	bronze <input type="checkbox"/> A	+\$0
CHR	chrome <input type="checkbox"/> A	+\$0
EH	metallic bronze <input type="checkbox"/> A	+\$0
MS	metallic silver <input type="checkbox"/> A	+\$0
SAC	satin chrome <input type="checkbox"/> A	+\$0

H-Frame Side Table

AWH2G
AWH2S
AWH2W



Product Information

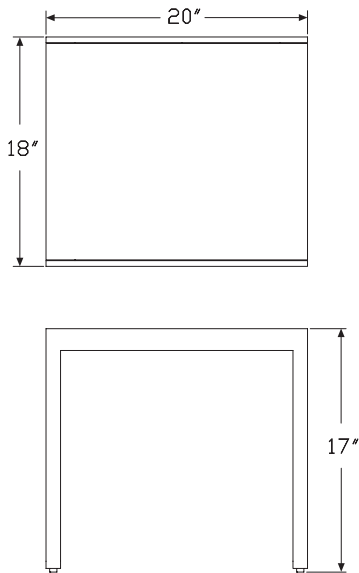
Description

This side table has a wood top and metal base. The dimensions are 18" deep, 20" wide, and 17" high.

Notes

Santos palisander veneer is celebrated for its unique grain and color variations. Similar products ordered in multiples or dissimilar products ordered separately should be expected to have variation in both grain and color characteristics; no two products will look exactly alike.

Dimensions



Specification Information

Step 1.

AWH2

Step 2. Top Material

W wood top

G glass top

S stone top

Step 3. Dimensions

-1820 18" deep x 20" wide x 17" high side table

Prices for Steps 1-3.

AWH2W -1820 \$1945

AWH2G -1820 \$1470

AWH2S -1820 \$2575

Step 4. Top Finish

Premium Veneer - Low Sheen

For wood top (W)

931	champagne anigre (natural) <input type="checkbox"/>	+\$342
932	sundance anigre <input type="checkbox"/>	+\$342
933	caramel anigre <input type="checkbox"/>	+\$342
934	henna anigre <input type="checkbox"/>	+\$342
940	sundance cherry on maple <input type="checkbox"/>	+\$0
941	natural beech <input type="checkbox"/>	+\$0
942	sundance cherry (natural) <input type="checkbox"/>	+\$0
943	caramel cherry <input type="checkbox"/>	+\$0
946	cocoa cherry <input type="checkbox"/>	+\$0
951	natural anigre <input type="checkbox"/>	+\$755
956	cocoa sapele <input type="checkbox"/>	+\$0
962	toasted walnut, low sheen <input type="checkbox"/>	+\$0
963	charred walnut, low sheen <input type="checkbox"/>	+\$0
964	bronzed walnut, low sheen <input type="checkbox"/>	+\$0
965	smoked walnut, low sheen <input type="checkbox"/>	+\$0
966	coffee walnut, low sheen <input type="checkbox"/>	+\$0
967	smoked paldao, low sheen <input type="checkbox"/>	+\$283
969	warm paldao, low sheen <input type="checkbox"/>	+\$283
972	sundance walnut <input type="checkbox"/>	+\$0
977	chocolate ash, low sheen <input type="checkbox"/>	+\$0
978	natural oak <input type="checkbox"/>	+\$0
981	champagne hickory (natural) <input type="checkbox"/>	+\$0
98R	recograin rosewood <input type="checkbox"/>	+\$0
991	champagne ash <input type="checkbox"/>	+\$0

H-Frame Side Table *continued*

998	ebony ash A	+\$0
99A	recograin frosty ash A	+\$0
99R	recograin rosewood A	+\$0
99T	recograin teak A	+\$0
9A1	white ash, quarter cut, low sheen A	+\$0
9K1	rift oak, rift cut, low sheen A	+\$0
9K6	burnt oak, rift cut, low sheen A	+\$0
ED	aged cherry A	+\$0
EK	medium red walnut A	+\$0
G2U	light brown walnut, low sheen A	+\$0
G40	dark brown walnut, low sheen A	+\$0
UX	walnut on cherry A	+\$0

Premium Veneer - Matte

For wood top (W)

662	toasted walnut, matte sheen A	+\$0
663	charred walnut, matte sheen A	+\$0
664	bronzed walnut, matte sheen A	+\$0
665	smoked walnut, matte sheen A	+\$0
666	coffee walnut, matte sheen A	+\$0
667	smoked paldao, quarter cut, matte sheen A	+\$283
669	warm paldao, quarter cut, matte sheen A	+\$283
66A	recograin frosty ash A	+\$0
677	chocolate ash, matte sheen A	+\$0
678	natural oak A	+\$0
68R	recograin rosewood A	+\$0
69A	recograin frosty ash A	+\$0
69R	recograin rosewood A	+\$0
69T	recograin teak A	+\$0
6A1	white ash A	+\$0
6K1	rift oak A	+\$0
6K6	burnt oak A	+\$0
ET	clear on ash A	+\$0
EU	oak on ash A	+\$0
EV	walnut on ash A	+\$0
GOU	natural walnut, flat cut, matte sheen A	+\$0

RecoGrain Veneer

For wood top (W)

66G	recograin wenge A	-\$95
68W	recograin walnut, flat cut, matte sheen A	-\$95
69G	recograin wenge A	-\$95
69K	recograin oak, quarter cut, matte sheen A	-\$95
69W	recograin walnut, quarter cut, matte sheen A	-\$95

Recon Veneer -

For wood top (W)

96G	wenge recograin, quarter cut, low sheen A	-\$95
98W	recograin walnut, flat cut, low sheen A	-\$95
99G	recograin wenge, quarter cut, low sheen A	-\$95
99K	recograin oak, quarter cut, low sheen A	-\$95
99W	recograin walnut, quarter cut, low sheen A	-\$95

Glass

For glass top (G)

CGL	clear glass A	+\$0
GE1	etched glass A	+\$127

For stone top (S)

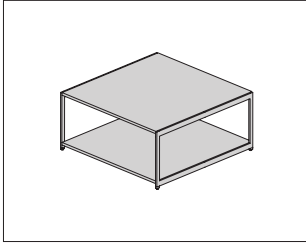
200	perfato marble A	+\$0
250	verde antique marble A	+\$0
400	black granite A	+\$0
5U	georgia grey marble A	+\$0
800	autumn brown granite A	+\$0
960	white carrara marble A	+\$0
HR	wisconsin black marble A	+\$0

Step 5. Metal Finish

BNZ	bronze A	+\$0
CHR	chrome A	+\$0
SAC	satin chrome A	+\$0

H-Frame Coffee Table

AWH2G
AWH2S
AWH2W



Product Information

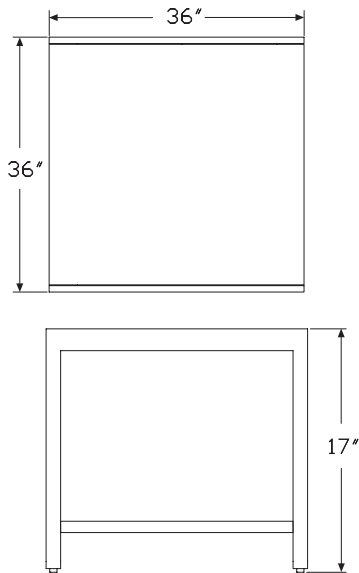
Description

This coffee table has a wood top and metal base. The dimensions are 36" deep, 36" wide, and 17" high.

Notes

Santos palisander veneer is celebrated for its unique grain and color variations. Similar products ordered in multiples or dissimilar products ordered separately should be expected to have variation in both grain and color characteristics; no two products will look exactly alike.

Dimensions



Specification Information

Step 1.

AWH2

Step 2. Top Material

W wood top
G glass top
S stone top

Step 3. Dimensions

-3636 36" deep x 36" wide x 17" high coffee table

Prices for Steps 1-3.

AWH2W -3636 \$3520

AWH2G -3636 \$3145

AWH2S -3636 \$6725

Step 4. Top Finish

For wood top (W)

931	champagne anigre (natural) <input type="checkbox"/>	+\$587
932	sundance anigre <input type="checkbox"/>	+\$587
933	caramel anigre <input type="checkbox"/>	+\$587
934	henna anigre <input type="checkbox"/>	+\$587
941	natural beech <input type="checkbox"/>	+\$0
942	sundance cherry (natural) <input type="checkbox"/>	+\$0
943	caramel cherry <input type="checkbox"/>	+\$0
946	cocoa cherry <input type="checkbox"/>	+\$0
951	natural anigre <input type="checkbox"/>	+\$1368
956	cocoa sapele <input type="checkbox"/>	+\$0
962	toasted walnut, low sheen <input type="checkbox"/>	+\$0
963	charred walnut, low sheen <input type="checkbox"/>	+\$0
964	bronzed walnut, low sheen <input type="checkbox"/>	+\$0
965	smoked walnut, low sheen <input type="checkbox"/>	+\$0
966	coffee walnut, low sheen <input type="checkbox"/>	+\$0
967	smoked paldao, low sheen <input type="checkbox"/>	+\$513
969	warm paldao, low sheen <input type="checkbox"/>	+\$513
972	sundance walnut <input type="checkbox"/>	+\$0
977	chocolate ash, low sheen <input type="checkbox"/>	+\$0
978	natural oak <input type="checkbox"/>	+\$0
981	champagne hickory (natural) <input type="checkbox"/>	+\$0
98R	recograin rosewood <input type="checkbox"/>	+\$0
991	champagne ash <input type="checkbox"/>	+\$0
998	ebony ash <input type="checkbox"/>	+\$0
99A	recograin frosty ash <input type="checkbox"/>	+\$0

H-Frame Coffee Table *continued*

99R	recograin rosewood A	+\$0
99T	recograin teak A	+\$0
9A1	white ash, quarter cut, low sheen A	+\$0
9K1	rift oak, rift cut, low sheen A	+\$0
9K6	burnt oak, rift cut, low sheen A	+\$0
ED	aged cherry A	+\$0
EK	medium red walnut A	+\$0
G2U	light brown walnut, low sheen A	+\$0
G40	dark brown walnut, low sheen A	+\$0
UX	walnut on cherry A	+\$0

For wood top (W)

662	toasted walnut, matte sheen A	+\$0
663	charred walnut, matte sheen A	+\$0
664	bronzed walnut, matte sheen A	+\$0
665	smoked walnut, matte sheen A	+\$0
666	coffee walnut, matte sheen A	+\$0
667	smoked paldao, quarter cut, matte sheen A	+\$513
669	warm paldao, quarter cut, matte sheen A	+\$513
66A	recograin frosty ash A	+\$0
677	chocolate ash, matte sheen A	+\$0
678	natural oak A	+\$0
68R	recograin rosewood A	+\$0
69A	recograin frosty ash A	+\$0
69R	recograin rosewood A	+\$0
69T	recograin teak A	+\$0
6A1	white ash A	+\$0
6K1	rift oak A	+\$0
6K6	burnt oak A	+\$0
ET	clear on ash A	+\$0
EU	oak on ash A	+\$0
EV	walnut on ash A	+\$0
GOU	natural walnut, flat cut, matte sheen A	+\$0

For wood top (W)

66G	recograin wenge A	-\$171
68W	recograin walnut, flat cut, matte sheen A	-\$171
69G	recograin wenge A	-\$171
69K	recograin oak, quarter cut, matte sheen A	-\$171
69W	recograin walnut, quarter cut, matte sheen A	-\$171

For wood top (W)

96G	wenge recograin, quarter cut, low sheen A	-\$171
98W	recograin walnut, flat cut, low sheen A	-\$171
99G	recograin wenge, quarter cut, low sheen A	-\$171
99K	recograin oak, quarter cut, low sheen A	-\$171
99W	recograin walnut, quarter cut, low sheen A	-\$171

Glass

For glass top (G)

CGL	clear glass A	+\$0
GE1	etched glass A	+\$127

Stone

For stone top (S)

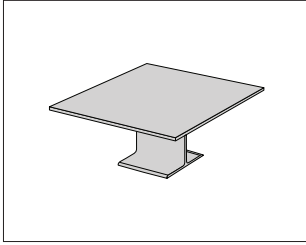
200	perfato marble A	+\$0
250	verde antique marble A	+\$0
400	black granite A	+\$0
5U	georgia grey marble A	+\$0
800	autumn brown granite A	+\$0
960	white carrara marble A	+\$0
HR	wisconsin black marble A	+\$0

Step 5. Metal Finish

BNZ	bronze A	+\$0
CHR	chrome A	+\$0
SAC	satin chrome A	+\$0

I-Beam Coffee Table

AWB2G
AWB2M

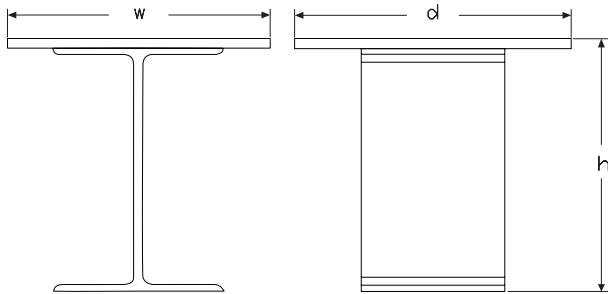


Product Information

Description

This coffee table has an aluminum base and glass top.

Dimensions



Specification Information

Step 1.

AWB A

Step 2. Table Type

2 coffee table A

Step 3. Top Material

M marble top A

G glass top A

Step 4. Size

For coffee table (2) with glass top (G)

-363615 36" deep x 36" wide x 15 1/4" high A

-404015 40" deep x 40" wide x 15 1/4" high A

For coffee table (2) with marble top (M)

-363616 36" deep x 36" wide x 16" high A

-404016 40" deep x 40" wide x 16" high A

Prices for Steps 1-4.

AWB2M -363616 \$6015

-404016 \$6530

AWB2G -363615 \$3125

-404015 \$3305

Step 5. Top Finish

For marble top (M)

200 perfato marble A +\$0

250 verde antique marble A +\$0

400 black granite A +\$0

5U georgia grey marble A +\$0

800 autumn brown granite A +\$0

960 white carrara marble A +\$0

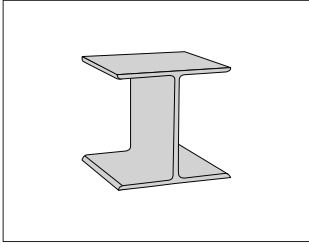
HR wisconsin black marble A +\$0

For glass top (G)

CGL 3/4" thick clear glass A +\$0

I-Beam Side Table

AWB1Z

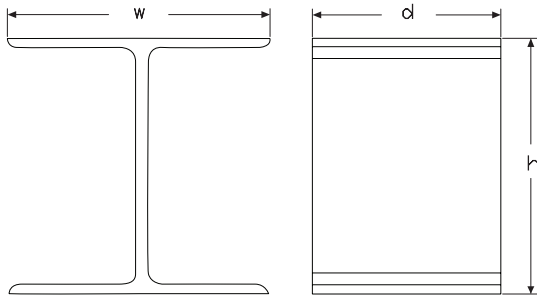


Product Information

Description

This side table has an aluminum base and no top.

Dimensions



Specification Information

Step 1.

AWB A

Step 2. Table Type

1 side table A

Step 3. Top Material

Z no top A

Step 4. Size

-161615 16" deep x 16" wide x 14¹/₂" high A

-181815 18" deep x 18" wide x 14¹/₂" high A

Prices for Steps 1-4.

AWB1Z	-161615	\$2200
	-181815	\$2465

Girard Hexagonal Table

66353

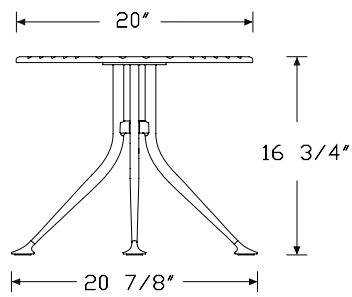
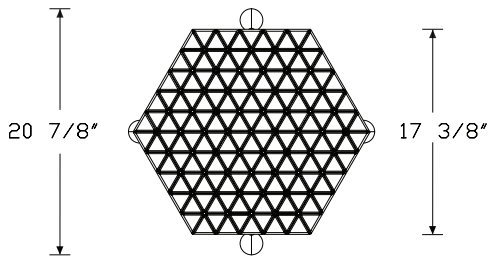


Product Information

Description

This polished aluminum table has a 6-sided top and a splayed-leg base. The top is inscribed with a 3-dimensional pattern of triangles, giving it a unique textural feel. Legs have nonadjustable nylon glides.

Dimensions



Specification Information

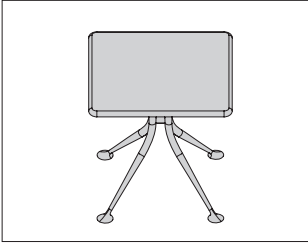
Step 1.

66353 A

\$931

Girard Splayed Leg Table

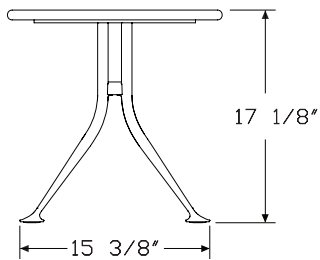
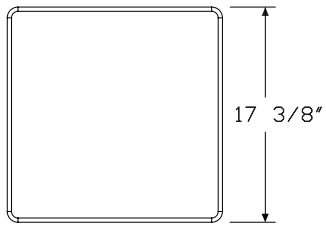
66356



Product Information

Description
 This table has a marble top and a polished aluminum splayed-leg base. Legs have nonadjustable nylon glides.

Dimensions



Specification Information

Step 1.
66356 [A] \$2941

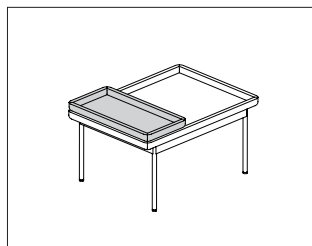
Step 2. Base Finish
L polished aluminum [A] +\$0

Step 3. Top Material Finish
HR wisconsin black marble [A] +\$556

HermanMiller Collection—Occasional Tables

Tuxedo Component Lounge Tables Tray

AXT3-

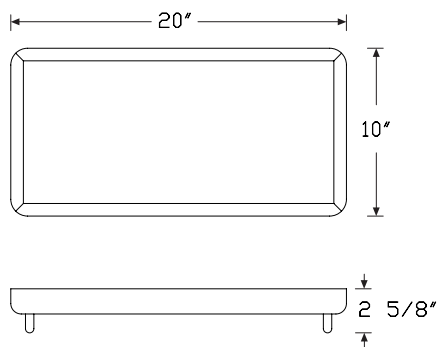


Product Information

Description

This tray comes in solid ash or walnut.

Dimensions



Specification Information

Step 1.

AXT3

Step 2. Depth

-10 10" deep

Step 3. Width

20 20" wide

Prices for Steps 1-3.

AXT3-10 20 \$770

Step 4. Wood Finish

Matte Finishes

662	toasted walnut, matte sheen <input type="checkbox"/>	+\$0
663	charred walnut, matte sheen <input type="checkbox"/>	+\$0
664	bronzed walnut, matte sheen <input type="checkbox"/>	+\$0
665	smoked walnut, matte sheen <input type="checkbox"/>	+\$0
666	coffee walnut, matte sheen <input type="checkbox"/>	+\$0
667	smoked paldao, quarter cut, matte sheen <input type="checkbox"/>	+\$0
669	warm paldao, quarter cut, matte sheen <input type="checkbox"/>	+\$0
66A	recograin frosty ash <input type="checkbox"/>	+\$0
677	chocolate ash, matte sheen <input type="checkbox"/>	+\$0
68R	recograin rosewood <input type="checkbox"/>	+\$0
69A	recograin frosty ash <input type="checkbox"/>	+\$0
69R	recograin rosewood <input type="checkbox"/>	+\$0
69T	recograin teak <input type="checkbox"/>	+\$0
6K1	rift oak <input type="checkbox"/>	+\$0
ET	clear on ash <input type="checkbox"/>	+\$0
EU	oak on ash <input type="checkbox"/>	+\$0
EV	walnut on ash <input type="checkbox"/>	+\$0
GOU	natural walnut, flat cut, matte sheen <input type="checkbox"/>	+\$0
6A1	white ash <input type="checkbox"/>	+\$0
6K6	burnt oak <input type="checkbox"/>	+\$0
932	sundance anigre <input type="checkbox"/>	+\$0
933	caramel anigre <input type="checkbox"/>	+\$0
934	henna anigre <input type="checkbox"/>	+\$0
940	sundance cherry on maple <input type="checkbox"/>	+\$0
962	toasted walnut, low sheen <input type="checkbox"/>	+\$0
963	charred walnut, low sheen <input type="checkbox"/>	+\$0
964	bronzed walnut, low sheen <input type="checkbox"/>	+\$0
965	smoked walnut, low sheen <input type="checkbox"/>	+\$0
966	coffee walnut, low sheen <input type="checkbox"/>	+\$0
967	smoked paldao, low sheen <input type="checkbox"/>	+\$0
969	warm paldao, low sheen <input type="checkbox"/>	+\$0

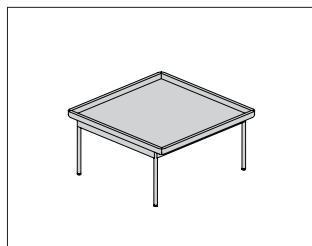
Tuxedo Component Lounge

Tables Tray *continued*

972	sundance walnut <input type="checkbox"/> A	+\$0
977	chocolate ash, low sheen <input type="checkbox"/> A	+\$0
98R	recograin rosewood <input type="checkbox"/> A	+\$0
991	champagne ash <input type="checkbox"/> A	+\$0
99A	recograin frosty ash <input type="checkbox"/> A	+\$0
99R	recograin rosewood <input type="checkbox"/> A	+\$0
99T	recograin teak <input type="checkbox"/> A	+\$0
9A1	white ash, quarter cut, low sheen <input type="checkbox"/> A	+\$0
9K1	rift oak, rift cut, low sheen <input type="checkbox"/> A	+\$0
9K6	burnt oak, rift cut, low sheen <input type="checkbox"/> A	+\$0
G2U	light brown walnut, low sheen <input type="checkbox"/> A	+\$0
G40	dark brown walnut, low sheen <input type="checkbox"/> A	+\$0
UX	walnut on cherry <input type="checkbox"/> A	+\$0
943	caramel cherry <input type="checkbox"/> A	+\$0
946	cocoa cherry <input type="checkbox"/> A	+\$0
956	cocoa sapele <input type="checkbox"/> A	+\$0
998	ebony ash <input type="checkbox"/> A	+\$0
ED	aged cherry <input type="checkbox"/> A	+\$0
EK	medium red walnut <input type="checkbox"/> A	+\$0
66G	recograin wenge <input type="checkbox"/> A	+\$0
68W	recograin walnut, flat cut, matte sheen <input type="checkbox"/> A	+\$0
69G	recograin wenge <input type="checkbox"/> A	+\$0
69W	recograin walnut, quarter cut, matte sheen <input type="checkbox"/> A	+\$0
96G	wenge recograin, quarter cut, low sheen <input type="checkbox"/> A	+\$0
98W	recograin walnut, flat cut, low sheen <input type="checkbox"/> A	+\$0
99G	recograin wenge, quarter cut, low sheen <input type="checkbox"/> A	+\$0
99W	recograin walnut, quarter cut, low sheen <input type="checkbox"/> A	+\$0

Tuxedo Component Lounge Tables Square

AXW2-

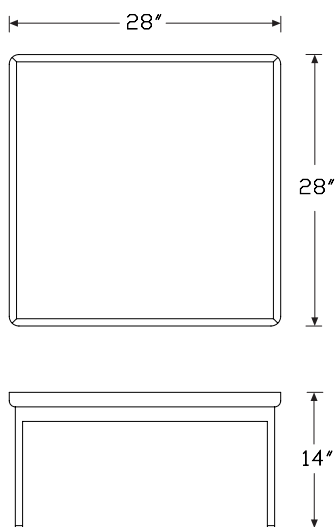


Product Information

Description

This square table has a steel plated metal base with a solid ash or walnut top 1 1/2" thick.

Dimensions



Specification Information

Step 1.

AXW2

Step 2. Depth

-28 28" deep

Step 3. Width

28 28" wide

Prices for Steps 1-3.

AXW2-28 28 \$1615

Step 4. Wood Finish

Matte Finishes

662	toasted walnut, matte sheen <input type="checkbox"/>	+\$0
663	charred walnut, matte sheen <input type="checkbox"/>	+\$0
664	bronzed walnut, matte sheen <input type="checkbox"/>	+\$0
665	smoked walnut, matte sheen <input type="checkbox"/>	+\$0
666	coffee walnut, matte sheen <input type="checkbox"/>	+\$0
667	smoked paldao, quarter cut, matte sheen <input type="checkbox"/>	+\$0
669	warm paldao, quarter cut, matte sheen <input type="checkbox"/>	+\$0
66A	frosty ash recograin, quarter cut, matte sheen <input type="checkbox"/>	+\$0
677	chocolate ash, matte sheen <input type="checkbox"/>	+\$0
68R	recograin rosewood <input type="checkbox"/>	+\$0
69A	recograin frosty ash <input type="checkbox"/>	+\$0
69R	recograin rosewood <input type="checkbox"/>	+\$0
69T	recograin teak <input type="checkbox"/>	+\$0
6K1	rift oak <input type="checkbox"/>	+\$0
ET	clear on ash <input type="checkbox"/>	+\$0
EU	oak on ash <input type="checkbox"/>	+\$0
EV	walnut on ash <input type="checkbox"/>	+\$0
GOU	natural walnut, flat cut, matte sheen <input type="checkbox"/>	+\$0
6A1	white ash <input type="checkbox"/>	+\$0
6K6	burnt oak <input type="checkbox"/>	+\$0

Tuxedo Component Lounge

Tables Square *continued*

Premium Veneer - Low Sheen		
932	sundance anigre <input type="checkbox"/>	+\$0
933	caramel anigre <input type="checkbox"/>	+\$0
934	henna anigre <input type="checkbox"/>	+\$0
940	sundance cherry on maple <input type="checkbox"/>	+\$0
962	toasted walnut, low sheen <input type="checkbox"/>	+\$0
963	charred walnut, low sheen <input type="checkbox"/>	+\$0
964	bronzed walnut, low sheen <input type="checkbox"/>	+\$0
965	smoked walnut, low sheen <input type="checkbox"/>	+\$0
966	coffee walnut, low sheen <input type="checkbox"/>	+\$0
967	smoked paldao, low sheen <input type="checkbox"/>	+\$0
969	warm paldao, low sheen <input type="checkbox"/>	+\$0
972	sundance walnut <input type="checkbox"/>	+\$0
977	chocolate ash, low sheen <input type="checkbox"/>	+\$0
98R	recograin rosewood <input type="checkbox"/>	+\$0
991	champagne ash <input type="checkbox"/>	+\$0
99A	recograin frosty ash <input type="checkbox"/>	+\$0
99R	recograin rosewood <input type="checkbox"/>	+\$0
99T	recograin teak <input type="checkbox"/>	+\$0
9A1	white ash, quarter cut, low sheen <input type="checkbox"/>	+\$0
9K1	rift oak, rift cut, low sheen <input type="checkbox"/>	+\$0
9K6	burnt oak, rift cut, low sheen <input type="checkbox"/>	+\$0
G2U	light brown walnut, low sheen <input type="checkbox"/>	+\$0
G40	dark brown walnut, low sheen <input type="checkbox"/>	+\$0
UX	walnut on cherry <input type="checkbox"/>	+\$0
943	caramel cherry <input type="checkbox"/>	+\$0
946	cocoa cherry <input type="checkbox"/>	+\$0
956	cocoa sapele <input type="checkbox"/>	+\$0
998	ebony ash <input type="checkbox"/>	+\$0
ED	aged cherry <input type="checkbox"/>	+\$0
EK	medium red walnut <input type="checkbox"/>	+\$0

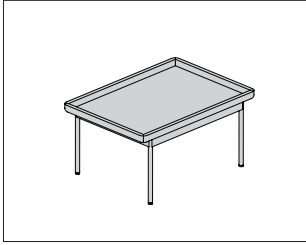
RecoGrain Veneer		
66G	recograin wenge <input type="checkbox"/>	+\$0
68W	recograin walnut, flat cut, matte sheen <input type="checkbox"/>	+\$0
69G	recograin wenge <input type="checkbox"/>	+\$0
69W	recograin walnut, quarter cut, matte sheen <input type="checkbox"/>	+\$0

Recon Veneer -		
96G	wenge recograin, quarter cut, low sheen <input type="checkbox"/>	+\$0
98W	recograin walnut, flat cut, low sheen <input type="checkbox"/>	+\$0
99G	recograin wenge, quarter cut, low sheen <input type="checkbox"/>	+\$0
99W	recograin walnut, quarter cut, low sheen <input type="checkbox"/>	+\$0

Step 5. Base Finish		
926	black <input type="checkbox"/>	+\$0
AS	arctic silver <input type="checkbox"/>	+\$0
WHT	white <input type="checkbox"/>	+\$0
BNZ	bronze <input type="checkbox"/>	+\$295
CHR	chrome <input type="checkbox"/>	+\$295
SAC	satin chrome <input type="checkbox"/>	+\$295

Tuxedo Component Lounge Tables Rectangular

AXW3-

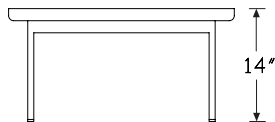
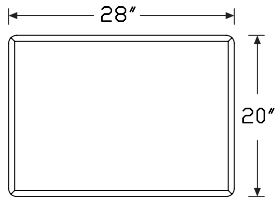


Product Information

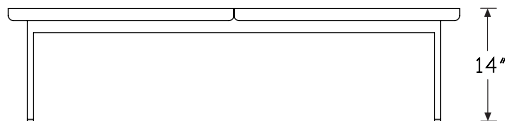
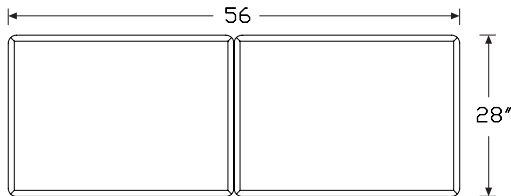
Description

This rectangular table has a steel plated metal base with a 1-piece or 2-piece solid ash or walnut top 1½" thick.

Dimensions



Tuxedo One Piece Table



Tuxedo Two Piece Tables

Specification Information

Step 1.

AXW3 A

Step 2. Depth

-20 20" deep A

-28 28" deep A

Step 3. Width

For 20" deep (-20)

28 28" wide, one piece A

For 28" deep (-28)

56 56" wide, two pieces A

Prices for Steps 1-3.

AXW3-20 28 \$1430

AXW3-28 56 \$2695

Step 4. Wood Finish

Matte Finishes

662	toasted walnut, matte sheen <input type="checkbox"/> A	+\$0
663	charred walnut, matte sheen <input type="checkbox"/> A	+\$0
664	bronzed walnut, matte sheen <input type="checkbox"/> A	+\$0
665	smoked walnut, matte sheen <input type="checkbox"/> A	+\$0
666	coffee walnut, matte sheen <input type="checkbox"/> A	+\$0
667	smoked paldao, quarter cut, matte sheen <input type="checkbox"/> A	+\$0
669	warm paldao, quarter cut, matte sheen <input type="checkbox"/> A	+\$0
66A	recograin frosty ash <input type="checkbox"/> A	+\$0
677	chocolate ash, matte sheen <input type="checkbox"/> A	+\$0
68R	recograin rosewood <input type="checkbox"/> A	+\$0
69A	recograin frosty ash <input type="checkbox"/> A	+\$0
69R	recograin rosewood <input type="checkbox"/> A	+\$0
69T	recograin teak <input type="checkbox"/> A	+\$0
6K1	rift oak <input type="checkbox"/> A	+\$0
ET	clear on ash <input type="checkbox"/> A	+\$0
EU	oak on ash <input type="checkbox"/> A	+\$0
EV	walnut on ash <input type="checkbox"/> A	+\$0
GOU	natural walnut, flat cut, matte sheen <input type="checkbox"/> A	+\$0
6A1	white ash <input type="checkbox"/> A	+\$0
6K6	burnt oak <input type="checkbox"/> A	+\$0
932	sundance anigre <input type="checkbox"/> A	+\$0
933	caramel anigre <input type="checkbox"/> A	+\$0
934	henna anigre <input type="checkbox"/> A	+\$0

Tuxedo Component Lounge

Tables Rectangular *continued*

940	sundance cherry on maple <input type="checkbox"/>	+\$0
962	toasted walnut, low sheen <input type="checkbox"/>	+\$0
963	charred walnut, low sheen <input type="checkbox"/>	+\$0
964	bronzed walnut, low sheen <input type="checkbox"/>	+\$0
965	smoked walnut, low sheen <input type="checkbox"/>	+\$0
966	coffee walnut, low sheen <input type="checkbox"/>	+\$0
967	smoked paldao, low sheen <input type="checkbox"/>	+\$0
969	warm paldao, low sheen <input type="checkbox"/>	+\$0
972	sundance walnut <input type="checkbox"/>	+\$0
977	chocolate ash, low sheen <input type="checkbox"/>	+\$0
98R	recograin rosewood <input type="checkbox"/>	+\$0
991	champagne ash <input type="checkbox"/>	+\$0
99A	recograin frosty ash <input type="checkbox"/>	+\$0
99R	recograin rosewood <input type="checkbox"/>	+\$0
99T	recograin teak <input type="checkbox"/>	+\$0
9A1	white ash, quarter cut, low sheen <input type="checkbox"/>	+\$0
9K1	rift oak, rift cut, low sheen <input type="checkbox"/>	+\$0
9K6	burnt oak, rift cut, low sheen <input type="checkbox"/>	+\$0
G2U	light brown walnut, low sheen <input type="checkbox"/>	+\$0
G40	dark brown walnut, low sheen <input type="checkbox"/>	+\$0
UX	walnut on cherry <input type="checkbox"/>	+\$0
943	caramel cherry <input type="checkbox"/>	+\$0
946	cocoa cherry <input type="checkbox"/>	+\$0
956	cocoa sapele <input type="checkbox"/>	+\$0
998	ebony ash <input type="checkbox"/>	+\$0
ED	aged cherry <input type="checkbox"/>	+\$0
EK	medium red walnut <input type="checkbox"/>	+\$0

RecoGrain Veneer

66G	recograin wenge <input type="checkbox"/>	+\$0
68W	recograin walnut, flat cut, matte sheen <input type="checkbox"/>	+\$0
69G	recograin wenge <input type="checkbox"/>	+\$0
69W	recograin walnut, quarter cut, matte sheen <input type="checkbox"/>	+\$0

Recon Veneer -

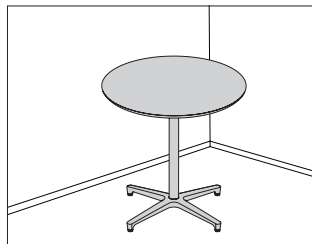
96G	wenge recograin, quarter cut, low sheen <input type="checkbox"/>	+\$0
98W	recograin walnut, flat cut, low sheen <input type="checkbox"/>	+\$0
99G	recograin wenge, quarter cut, low sheen <input type="checkbox"/>	+\$0
99W	recograin walnut, quarter cut, low sheen <input type="checkbox"/>	+\$0

Step 5. Base Finish

		-2028	-2056	-2828	-2856
926	black <input type="checkbox"/>			+\$0	0
AS	arctic silver <input type="checkbox"/>			+\$0	0
WHT	white <input type="checkbox"/>			+\$0	0
BNZ	bronze <input type="checkbox"/>			+\$295	645
CHR	chrome <input type="checkbox"/>			+\$295	645
SAC	satin chrome <input type="checkbox"/>			+\$295	645

Saiba Table Wood Top

ASB1A
ASB1W

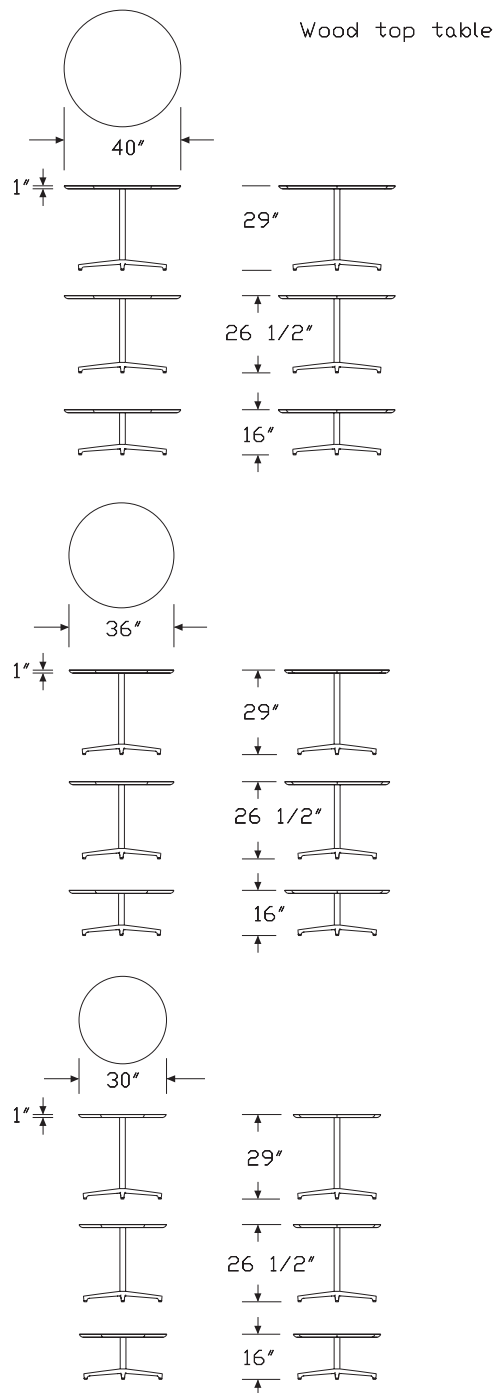


Product Information

Description

This table has an aluminum base with a veneer top and is available in 3 heights and 3 top diameters.

Dimensions



Specification Information

Step 1.

ASB1 A

Step 2. Top

A- ash A

W- walnut A

Step 3. Height

16 16" coffee table height A

26 26.5" work table height A

29 29" standard table height A

Step 4. Diameter

30 30" diameter wood top A

36 36" diameter wood top A

40 40" diameter wood top A

Prices for Steps 1-4.

	30	36	40
ASB1A- 16	\$1600	1750	1900
26	\$1650	1800	1950
29	\$1700	1850	2000
ASB1W- 16	\$1700	1850	2000
26	\$1750	1900	2050
29	\$1800	1950	2100

Step 5. Wood Finish

Low Sheen Finishes (on Ash)

For ash (A-)

932	sundance anigre A	+\$0
933	caramel anigre A	+\$0
934	henna anigre A	+\$0
940	sundance cherry on maple A	+\$0
962	toasted walnut, low sheen A	+\$0
963	charred walnut, low sheen A	+\$0
964	bronzed walnut, low sheen A	+\$0
965	smoked walnut, low sheen A	+\$0
966	coffee walnut, low sheen A	+\$0
967	smoked paldao, low sheen A	+\$0
969	warm paldao, low sheen A	+\$0
977	chocolate ash, low sheen A	+\$0
98R	recograin rosewood A	+\$0
99A	recograin frosty ash A	+\$0
99G	recograin wenge, quarter cut, low sheen A	+\$0
99R	recograin rosewood A	+\$0
99T	recograin teak A	+\$0
9A1	white ash, quarter cut, low sheen A	+\$0
9K1	rift oak, rift cut, low sheen A	+\$0
9K6	burnt oak, rift cut, low sheen A	+\$0
EK	medium red walnut A	+\$0
G2U	light brown walnut, low sheen A	+\$0
G40	dark brown walnut, low sheen A	+\$0
UX	walnut on cherry A	+\$0
943	caramel cherry A	+\$0
946	cocoa cherry A	+\$0
956	cocoa sapele A	+\$0
991	champagne ash A	+\$0
998	ebony ash A	+\$0
ED	aged cherry A	+\$0

Low Sheen Finishes (on Ash)

For ash (A-)

98W	recograin walnut, flat cut, low sheen A	+\$0
99W	recograin walnut, quarter cut, low sheen A	+\$0

Saiba Table Wood Top *continued*

Matte Sheen Finishes (on Ash)

For ash (A-)

66A	frosty ash recograin, quarter cut, matte sheen <input type="checkbox"/>	+\$0
677	chocolate ash, matte sheen <input type="checkbox"/>	+\$0
68R	recograin rosewood <input type="checkbox"/>	+\$0
69A	recograin frosty ash <input type="checkbox"/>	+\$0
69R	recograin rosewood <input type="checkbox"/>	+\$0
69T	recograin teak <input type="checkbox"/>	+\$0
6K1	rift oak <input type="checkbox"/>	+\$0
ET	clear on ash <input type="checkbox"/>	+\$0
EU	oak on ash <input type="checkbox"/>	+\$0
EV	walnut on ash <input type="checkbox"/>	+\$0
GOU	natural walnut, flat cut, matte sheen <input type="checkbox"/>	+\$0
6A1	white ash <input type="checkbox"/>	+\$0
6K6	burnt oak <input type="checkbox"/>	+\$0

Matte Sheen Finishes (on Ash)

For ash (A-)

66G	recograin wenge <input type="checkbox"/>	+\$0
68W	recograin walnut, flat cut, matte sheen <input type="checkbox"/>	+\$0
69G	recograin wenge <input type="checkbox"/>	+\$0
69W	recograin walnut, quarter cut, matte sheen <input type="checkbox"/>	+\$0

Premium Veneer - Matte

For walnut (W-)

662	toasted walnut, matte sheen <input type="checkbox"/>	+\$0
663	charred walnut, matte sheen <input type="checkbox"/>	+\$0
664	bronzed walnut, matte sheen <input type="checkbox"/>	+\$0
665	smoked walnut, matte sheen <input type="checkbox"/>	+\$0
666	coffee walnut, matte sheen <input type="checkbox"/>	+\$0
667	smoked paldao, quarter cut, matte sheen <input type="checkbox"/>	+\$0
669	warm paldao, quarter cut, matte sheen <input type="checkbox"/>	+\$0
68R	recograin rosewood <input type="checkbox"/>	+\$0
69R	recograin rosewood <input type="checkbox"/>	+\$0
GOU	natural walnut, flat cut, matte sheen <input type="checkbox"/>	+\$0

For walnut (W-)

66G	recograin wenge <input type="checkbox"/>	+\$0
69G	recograin wenge <input type="checkbox"/>	+\$0

Low Sheen Finishes (on Walnut)

For walnut (W-)

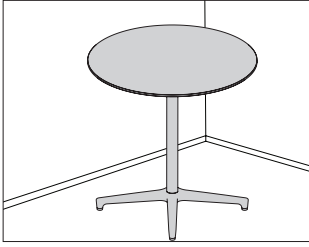
962	toasted walnut, low sheen <input type="checkbox"/>	+\$0
963	charred walnut, low sheen <input type="checkbox"/>	+\$0
964	bronzed walnut, low sheen <input type="checkbox"/>	+\$0
965	smoked walnut, low sheen <input type="checkbox"/>	+\$0
966	coffee walnut, low sheen <input type="checkbox"/>	+\$0
967	smoked paldao, low sheen <input type="checkbox"/>	+\$0
969	warm paldao, low sheen <input type="checkbox"/>	+\$0
96G	wenge recograin, quarter cut, low sheen <input type="checkbox"/>	+\$0
972	sundance walnut <input type="checkbox"/>	+\$0
98R	recograin rosewood <input type="checkbox"/>	+\$0
99G	recograin wenge, quarter cut, low sheen <input type="checkbox"/>	+\$0
99R	recograin rosewood <input type="checkbox"/>	+\$0
G2U	light brown walnut, low sheen <input type="checkbox"/>	+\$0
G40	dark brown walnut, low sheen <input type="checkbox"/>	+\$0
EK	medium red walnut <input type="checkbox"/>	+\$0

Step 6. Base Finish

926	black <input type="checkbox"/>	+\$0
CHR	chrome <input type="checkbox"/>	+\$0

Saiba Table Glass Top

ASB1G



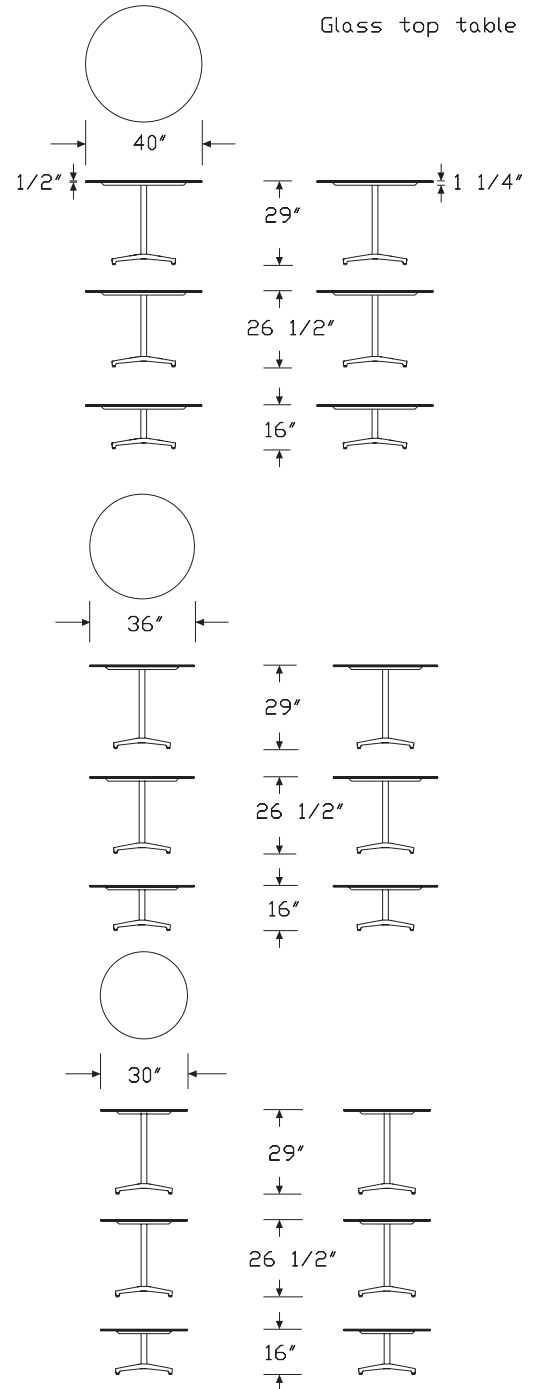
Product Information

Description

This table has an aluminum base with a $\frac{3}{8}$ " tempered, back-painted glass top. Available in 3 heights and 3 top diameters.

HermanMiller Collection—Occasional Tables

Dimensions



Saiba Table Glass Top *continued*

Specification Information

Step 1.

ASB1G- A

Step 2. Height

16 16" coffee table height A

26 26.5" work table height A

29 29" standard table height A

Step 3. Diameter

30 30" diameter wood top A

36 36" diameter wood top A

40 40" diameter wood top A

Prices for Steps 1-3.

	30	36	40
ASB1G- 16	\$2000	2500	3000
26	\$2050	2550	3050
29	\$2100	2600	3100

Step 4. Glass Option

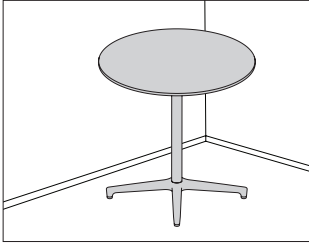
GBB back-painted black glass A +\$0

GBP back-painted white glass A +\$0

Step 5. Base Finish

926 black A +\$0

CHR chrome A +\$0



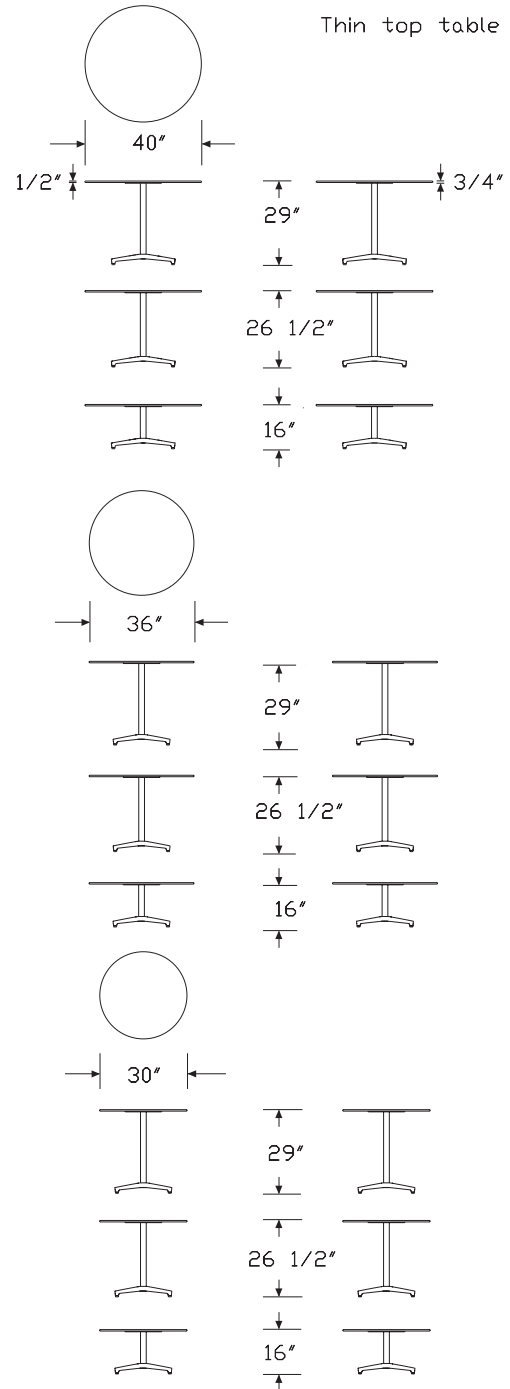
Product Information

Description

This table has an aluminum base with a thin profile high-pressure laminate top and is available in 3 heights and 3 top diameters.

HermanMiller Collection—Occasional Tables

Dimensions



Saiba Table Thin Profile Top

continued

Specification Information

Step 1.

ASB1T- A

Step 2. Height

16 16" coffee table height A

26 26.5" work table height A

29 29" standard table height A

Step 3. Diameter

30 30" diameter wood top A

36 36" diameter wood top A

40 40" diameter wood top A

Prices for Steps 1-3.

	30	36	40
ASB1T- 16	\$1300	1600	2000
26	\$1350	1650	2050
29	\$1400	1700	2100

Step 4. Thin Profile HPL with Black Edge Option

91 white A +\$0

BK black A +\$0

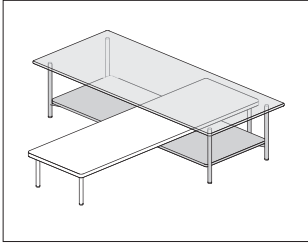
Step 5. Base Finish

926 black A +\$0

CHR chrome A +\$0

Layer Occasional Table, High Nesting

ALNHS

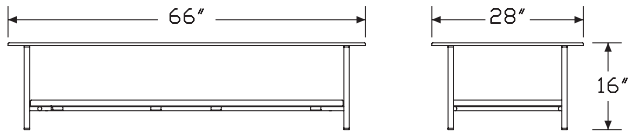


Product Information

Description

This table has a stainless steel frame and a 1/2" thick low-iron tempered glass top with radiused top edge and radiused corners. The wood shelf is 1" thick with plank veneer layup and solid wood edge. Wood shelf is finished to match color and sheen of the specified wood finish.

Dimensions



HermanMiller Collection—Occasional Tables

Specification Information

Step 1.

ALNH

Step 2. Shelf Material

SA- ash shelf

SN- no shelf

SS- stone shelf

SW- walnut shelf

Step 3. Width

66Z 66" wide

Step 4. Depth

28Z 28" deep

Step 5. Height

16Z 16" high

Prices for Steps 1-5.

16Z

ALNHSA- 66Z 28Z \$4250

16Z

ALNHSN- 66Z 28Z \$3095

16Z

ALNHSS- 66Z 28Z \$7395

16Z

ALNHSW- 66Z 28Z \$4250

Step 6. Wood Finish

For ash shelf (SA-)

677 chocolate ash, flat cut, matte sheen +\$0

6A1 white ash, quarter cut, matte sheen +\$0

991 champagne ash, flat cut, low sheen +\$0

998 ebony ash, flat cut, low sheen +\$0

Layer Occasional Table, High Nesting *continued*

For walnut shelf (SW-)

662	toasted walnut, flat cut, matte sheen	<input type="checkbox"/> A	+\$0
663	charred walnut, flat cut, matte sheen	<input type="checkbox"/> A	+\$0
664	bronzed walnut, flat cut, matte sheen	<input type="checkbox"/> A	+\$0
665	smoked walnut, flat cut, matte sheen	<input type="checkbox"/> A	+\$0
666	coffee walnut, flat cut, matte sheen	<input type="checkbox"/> A	+\$0
972	sundance walnut, solid, low sheen	<input type="checkbox"/> A	+\$0
EK	medium red walnut, flat cut, low sheen	<input type="checkbox"/> A	+\$0
G2U	light brown walnut, flat cut, low sheen	<input type="checkbox"/> A	+\$0
G40	dark brown walnut, flat cut, low sheen	<input type="checkbox"/> A	+\$0
GOU	natural walnut, flat cut, matte sheen	<input type="checkbox"/> A	+\$0

Step 7. Stone

For stone shelf (SS-)

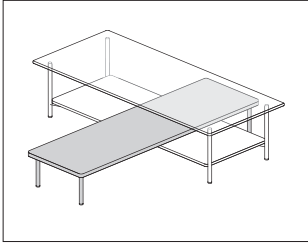
5UH	georgia grey honed marble	<input type="checkbox"/> A	+\$0
DPH	georgia white honed marble	<input type="checkbox"/> A	+\$0
HR	wisconsin black honed marble	<input type="checkbox"/> A	+\$0

Step 8. Base Finish

926	black	<input type="checkbox"/> A	+\$0
CHR	chrome	<input type="checkbox"/> A	+\$0
SAC	satin chrome	<input type="checkbox"/> A	+\$0

Layer Occasional Table, Low Nesting

ALNLT

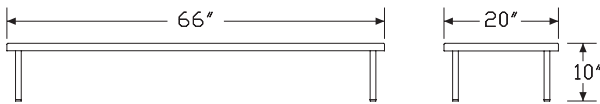


Product Information

Description

This table has a stainless steel frame and a 1³/₄" thick top with plank veneer layup and solid wood edge. Wood top is finished to match color and sheen of the specified wood finish.

Dimensions



HermanMiller Collection—Occasional Tables

Specification Information

Step 1.

ALNL

Step 2. Wood Top Material

TA- ash top

TW- walnut top

Step 3. Width

66Z 66" wide

Step 4. Depth

20Z 20" deep

Step 5. Height

10Z 10" high

Prices for Steps 1-5.

	10Z
ALNLTA- 66Z 20Z	\$2150

	10Z
ALNLTW- 66Z 20Z	\$2150

Step 6. Wood Finish

For ash top (TA-)

677	chocolate ash, flat cut, matte sheen <input type="checkbox"/>	+\$0
6A1	white ash, quarter cut, matte sheen <input type="checkbox"/>	+\$0
991	champagne ash, flat cut, low sheen <input type="checkbox"/>	+\$0
998	ebony ash, flat cut, low sheen <input type="checkbox"/>	+\$0

For walnut top (TW-)

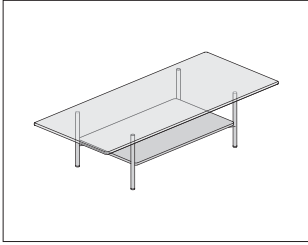
662	toasted walnut, flat cut, matte sheen <input type="checkbox"/>	+\$0
663	charred walnut, flat cut, matte sheen <input type="checkbox"/>	+\$0
664	bronzed walnut, flat cut, matte sheen <input type="checkbox"/>	+\$0
665	smoked walnut, flat cut, matte sheen <input type="checkbox"/>	+\$0
666	coffee walnut, flat cut, matte sheen <input type="checkbox"/>	+\$0
972	sundance walnut, solid, low sheen <input type="checkbox"/>	+\$0
EK	medium red walnut, flat cut, low sheen <input type="checkbox"/>	+\$0
G2U	light brown walnut, flat cut, low sheen <input type="checkbox"/>	+\$0
G40	dark brown walnut, flat cut, low sheen <input type="checkbox"/>	+\$0
GOU	natural walnut, flat cut, matte sheen <input type="checkbox"/>	+\$0

Layer Occasional Table, Low Nesting *continued*

Step 7. Base Finish		
926	black <input type="checkbox"/> A	+\$0
CHR	chrome <input type="checkbox"/> A	+\$0
SAC	satin chrome <input type="checkbox"/> A	+\$0

Layer Occasional Table, Wood Shelf

ALYSA
ALYSW

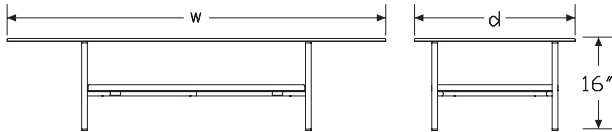


Product Information

Description

This table has a stainless steel frame and a 1/2" thick low-iron tempered glass top with radiused top edge and radiused corners. The wood shelf is 1" thick with plank veneer layup and solid wood edge. Wood shelf is finished to match color and sheen of the specified wood finish.

Dimensions



HermanMiller Collection—Occasional Tables

Specification Information

Step 1.

ALY A

Step 2. Shelf Material

SA- ash shelf A

SW- walnut shelf A

Step 3. Width

28Z 28" wide A

46Z 46" wide A

66Z 66" wide A

Step 4. Depth

For 28" wide (28Z)

14Z 14" deep A

22Z 22" deep A

For 46" wide (46Z)

24Z 24" deep A

For 66" wide (66Z)

28Z 28" deep A

Step 5. Height

16Z 16" high A

Prices for Steps 1-5.

	16Z
ALYSA- 28Z 14Z	\$2350
22Z	\$2625
46Z 24Z	\$3395
66Z 28Z	\$3850

	16Z
ALYSW- 28Z 14Z	\$2350
22Z	\$2625
46Z 24Z	\$3395
66Z 28Z	\$3850

Layer Occasional Table, Wood Shelf *continued*

Step 6. Wood Finish

For ash shelf (SA-)

677	chocolate ash, flat cut, matte sheen	<input type="checkbox"/> A	+\$0
6A1	white ash, quarter cut, matte sheen	<input type="checkbox"/> A	+\$0
991	champagne ash, flat cut, low sheen	<input type="checkbox"/> A	+\$0
998	ebony ash, flat cut, low sheen	<input type="checkbox"/> A	+\$0

For walnut shelf (SW-)

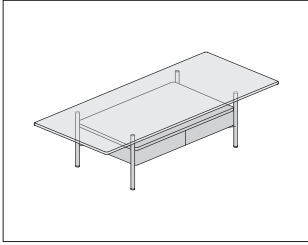
662	toasted walnut, flat cut, matte sheen	<input type="checkbox"/> A	+\$0
663	charred walnut, flat cut, matte sheen	<input type="checkbox"/> A	+\$0
664	bronzed walnut, flat cut, matte sheen	<input type="checkbox"/> A	+\$0
665	smoked walnut, flat cut, matte sheen	<input type="checkbox"/> A	+\$0
666	coffee walnut, flat cut, matte sheen	<input type="checkbox"/> A	+\$0
972	sundance walnut, solid, low sheen	<input type="checkbox"/> A	+\$0
EK	medium red walnut, flat cut, low sheen	<input type="checkbox"/> A	+\$0
G2U	light brown walnut, flat cut, low sheen	<input type="checkbox"/> A	+\$0
G40	dark brown walnut, flat cut, low sheen	<input type="checkbox"/> A	+\$0
GOU	natural walnut, flat cut, matte sheen	<input type="checkbox"/> A	+\$0

Step 7. Base Finish

926	black	<input type="checkbox"/> A	+\$0
CHR	chrome	<input type="checkbox"/> A	+\$0
SAC	satin chrome	<input type="checkbox"/> A	+\$0

Layer Occasional Table, Wood
Drawer

ALYDA
ALYDW

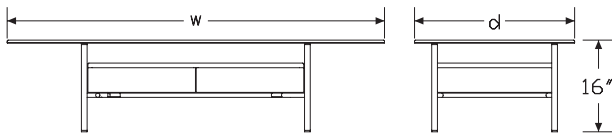


Product Information

Description

This table has a stainless steel frame and a 1/2" thick low-iron tempered glass top with radiused top edge and radiused corners. The drawer top is 1" thick with plank veneer layup and solid wood edge. Drawer front and case are solid wood. Drawer box interior is natural ash with dovetail construction. Wood drawer is finished to match color and sheen of the specified wood finish.

Dimensions



Specification Information

Step 1.

ALY A

Step 2. Drawer Material

DA- ash drawer A

DW- walnut drawer A

Step 3. Width

28Z 28" wide A

46Z 46" wide A

66Z 66" wide A

Step 4. Depth

For 28" wide (28Z)

22Z 22" deep A

For 46" wide (46Z)

24Z 24" deep A

For 66" wide (66Z)

28Z 28" deep A

Step 5. Height

16Z 16" high A

Prices for Steps 1-5.

	16Z
ALYDA- 28Z 22Z	\$3550
46Z 24Z	\$4825
66Z 28Z	\$5295

	16Z
ALYDW- 28Z 22Z	\$3550
46Z 24Z	\$4825
66Z 28Z	\$5295

Step 6. Wood Finish

For ash drawer (DA-)

677	chocolate ash, flat cut, matte sheen <input type="checkbox"/> A	+\$0
6A1	white ash, quarter cut, matte sheen <input type="checkbox"/> A	+\$0
991	champagne ash, flat cut, low sheen <input type="checkbox"/> A	+\$0
998	ebony ash, flat cut, low sheen <input type="checkbox"/> A	+\$0

Layer Occasional Table, Wood
 Drawer *continued*

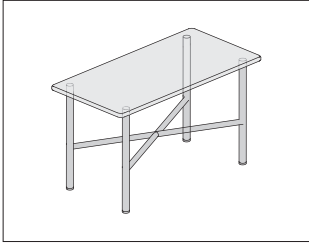
For walnut drawer (DW-)

662	toasted walnut, flat cut, matte sheen	A	+\$0
663	charred walnut, flat cut, matte sheen	A	+\$0
664	bronzed walnut, flat cut, matte sheen	A	+\$0
665	smoked walnut, flat cut, matte sheen	A	+\$0
666	coffee walnut, flat cut, matte sheen	A	+\$0
972	sundance walnut, solid, low sheen	A	+\$0
EK	medium red walnut, flat cut, low sheen	A	+\$0
G2U	light brown walnut, flat cut, low sheen	A	+\$0
G40	dark brown walnut, flat cut, low sheen	A	+\$0
GOU	natural walnut, flat cut, matte sheen	A	+\$0

Step 7. Base Finish

926	black	A	+\$0
CHR	chrome	A	+\$0
SAC	satin chrome	A	+\$0

Layer Occasional Table, No Shelf ALYSN

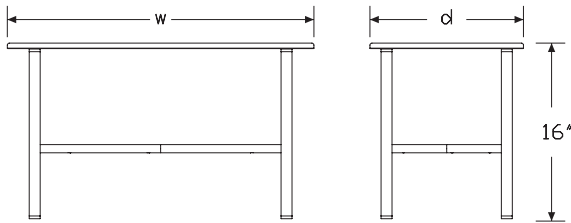


Product Information

Description

This table has a stainless steel frame and a 1/2" thick low-iron tempered glass top with radiused top edge and radiused corners.

Dimensions



HermanMiller Collection—Occasional Tables

Specification Information

Step 1.

ALYSN- [A]

Step 2. Width

- 28Z** 28" wide [A]
- 46Z** 46" wide [A]
- 66Z** 66" wide [A]

Step 3. Depth

For 28" wide (28Z)

- 14Z** 14" deep [A]
- 22Z** 22" deep [A]

For 46" wide (46Z)

- 24Z** 24" deep [A]

For 66" wide (66Z)

- 28Z** 28" deep [A]

Step 4. Height

- 16Z** 16" high [A]

Prices for Steps 1-4.

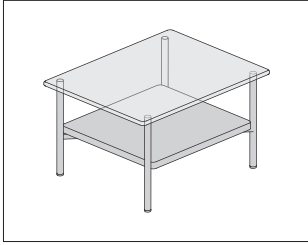
	16Z
ALYSN- 28Z 14Z	\$1695
22Z	\$1925
46Z 24Z	\$2525
66Z 28Z	\$2995

Step 5. Base Finish

- 926** black [A] +\$0
- CHR** chrome [A] +\$0
- SAC** satin chrome [A] +\$0

Layer Occasional Table, Stone Shelf

ALYSS

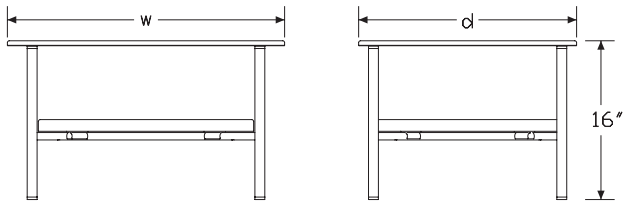


Product Information

Description

This table has a stainless steel frame and a 1/2" thick low-iron tempered glass top with radiused top edge and radiused corners. The stone shelf is 1 3/16" thick with radiused edge and radiused corners.

Dimensions



Specification Information

Step 1.

ALYSS- A

Step 2. Width

28Z 28" wide A

46Z 46" wide A

66Z 66" wide A

Step 3. Depth

For 28" wide (28Z)

14Z 14" deep A

22Z 22" deep A

For 46" wide (46Z)

24Z 24" deep A

For 66" wide (66Z)

28Z 28" deep A

Step 4. Height

16Z 16" high A

Prices for Steps 1-4.

	16Z
ALYSS- 28Z 14Z	\$3050
22Z	\$3650
46Z 24Z	\$5425
66Z 28Z	\$5895

Step 5. Stone

5UH georgia grey honed marble A +\$0

DPH georgia white honed marble A +\$0

HR wisconsin black honed marble A +\$0

Step 6. Base Finish

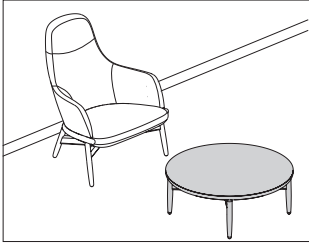
926 black A +\$0

CHR chrome A +\$0

SAC satin chrome A +\$0

Reframe Occasional Table

AFCA
AFCW
AFRA
AFRW
AFSA
AFSW

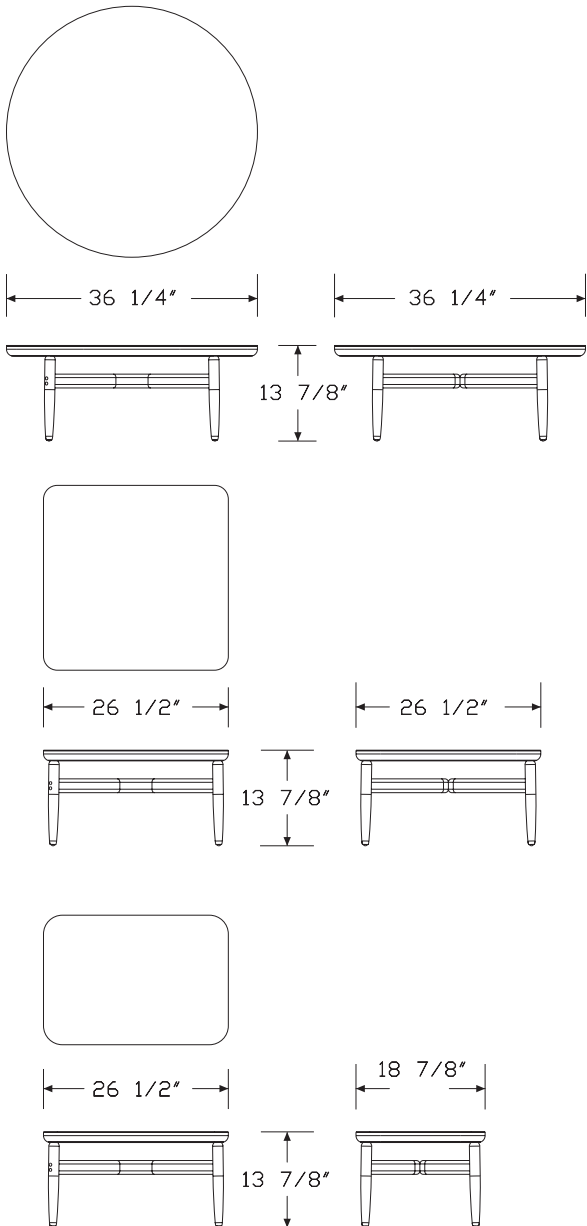


Product Information

Description

This table has a solid ash or walnut frame with a beveled edge veneer surface. Ships fully assembled.

Dimensions



HermanMiller Collection—Occasional Tables

Specification Information

Step 1.

AF A

Step 2. Shape

C circular A

S square A

R rectangular A

Step 3. Wood Species

A ash A

W walnut A

Prices for Steps 1-3.

AFCA	\$1095
AFCW	\$1395
AFSA	\$995
AFSW	\$1295
AFRA	\$845
AFRW	\$1045

Step 4. Wood Finish

For ash (A)

991	champagne ash, low sheen <input type="checkbox"/> A	+ \$0
998	ebony ash, low sheen <input type="checkbox"/> A	+ \$0

For ash (A)

677	chocolate ash, matte sheen <input type="checkbox"/> A	+ \$0
6A1	white ash, matte sheen <input type="checkbox"/> A	+ \$0

For walnut (W)

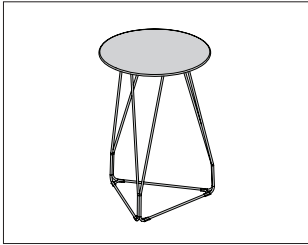
972	sundance walnut, low sheen <input type="checkbox"/> A	+ \$0
EK	medium red walnut, low sheen <input type="checkbox"/> A	+ \$0
G2U	light brown walnut, low sheen <input type="checkbox"/> A	+ \$0
G40	dark brown walnut, low sheen <input type="checkbox"/> A	+ \$0

For walnut (W)

662	toasted walnut, matte sheen <input type="checkbox"/> A	+ \$0
663	charred walnut, matte sheen <input type="checkbox"/> A	+ \$0
664	bronzed walnut, matte sheen <input type="checkbox"/> A	+ \$0
665	smoked walnut, matte sheen <input type="checkbox"/> A	+ \$0
666	coffee walnut, matte sheen <input type="checkbox"/> A	+ \$0
GOU	walnut, matte sheen <input type="checkbox"/> A	+ \$0

Polygon Wire Table

- PWL14
- PWL22
- PWL26
- PWM14
- PWM18
- PWM26
- PWS16
- PWS20
- PWS26

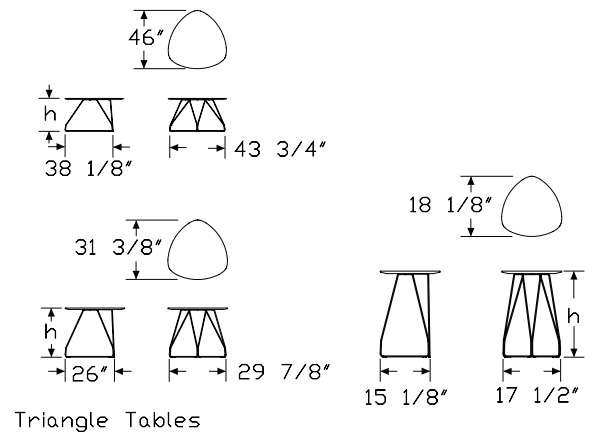
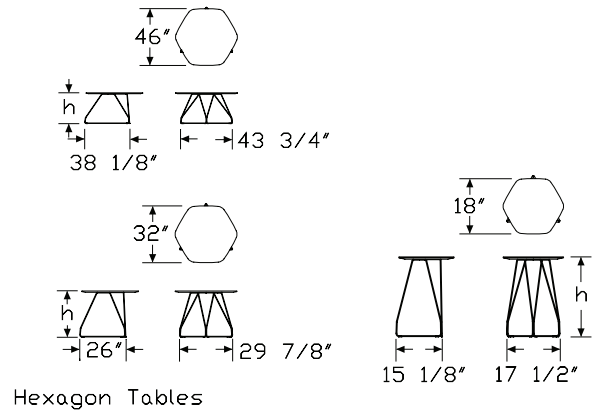
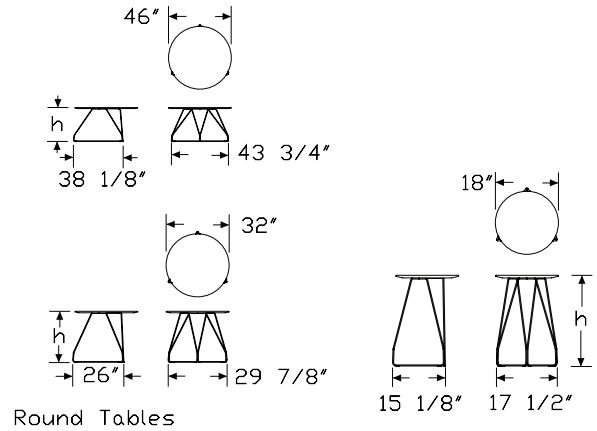


Product Information

Description

This table has a textured Formcoat® top that comes in 3 shapes and 3 sizes. The base is metal with textured paint, comes in 3 heights for each top shape, and has plastic glides. Top and base are the same color.

Dimensions



Herman Miller Collection—Occasional Tables

Polygon Wire Table *continued*

Specification Information

Step 1.

PW A

Step 2. Dimensions

- S16** 18" W top x 16" H base A
- S20** 18" W top x 20" H base A
- S26** 18" W top x 26" H base A
- M14** 32" W top x 14" H base A
- M18** 32" W top x 18" H base A
- M26** 32" W top x 26" H base A
- L14** 46" W top x 14" H base A
- L22** 46" W top x 22" H base A
- L26** 46" W top x 26" H base A

Step 3. Top Shape

- R** round A
- H** hexagon A
- T** triangle A

Prices for Steps 1-3.

PWS16	R	\$689
	H	\$689
	T	\$689
<hr/>		
PWS20	R	\$714
	H	\$714
	T	\$714
<hr/>		
PWS26	R	\$740
	H	\$740
	T	\$740
<hr/>		
PWM14	R	\$1046
	H	\$1046
	T	\$1046
<hr/>		
PWM18	R	\$1082
	H	\$1082
	T	\$1082
<hr/>		
PWM26	R	\$1117
	H	\$1117
	T	\$1117

PWL14	R	\$1403
	H	\$1403
	T	\$1403

PWL22	R	\$1449
	H	\$1449
	T	\$1449

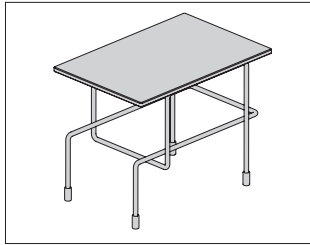
PWL26	R	\$1495
	H	\$1495
	T	\$1495

Step 4. Finish

91	white <input type="checkbox"/> A	+\$0
BK	black <input type="checkbox"/> A	+\$0
G1	graphite <input type="checkbox"/> A	+\$0

Traffic Low Table

XXTV2

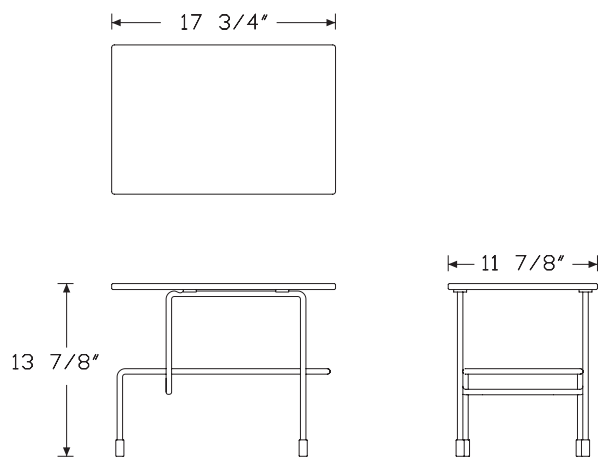


Product Information

Description

This table has a steel rod frame and 12mm acrylic stone top.

Dimensions



Specification Information

Step 1.

XXTV2700 A \$1059

Step 2. Frame Finish

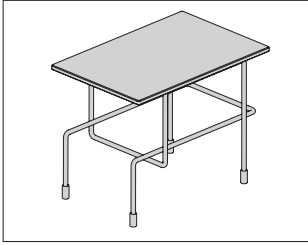
5011 white A +\$0

5013 black A +\$0

HermanMiller Collection—Occasional Tables

Traffic Low Table, Suitable for
Outdoor Use

XXTV2

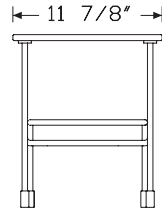
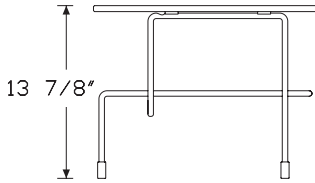
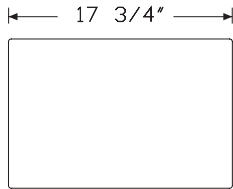


Product Information

Description

This table has a steel rod frame and 12mm acrylic stone top. Suitable for outdoor use.

Dimensions



Specification Information

Step 1.

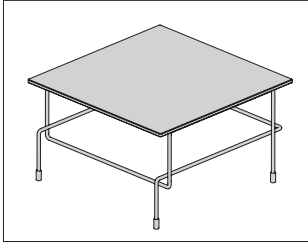
XXTV2701 [A] \$1231

Step 2. Frame Finish

5011 white [A] +\$0

Traffic Low Square Table

XXTV2

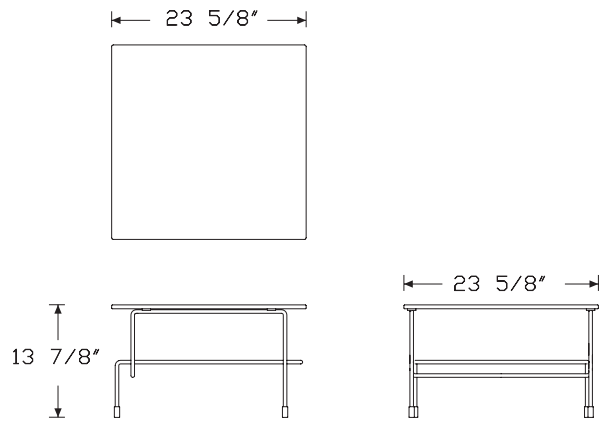


Product Information

Description

This table has a steel rod frame and 12mm acrylic stone top.

Dimensions



Specification Information

Step 1.

XXTV2710 A \$950

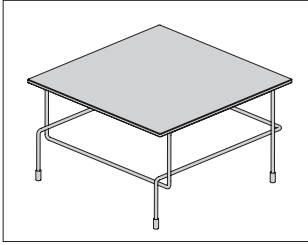
Step 2. Frame Finish

5011 white A +\$0

5013 black A +\$0

HermanMiller Collection—Occasional Tables

Traffic Low Square Table, Suitable for Outdoor Use XXTV2

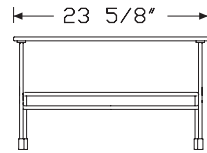
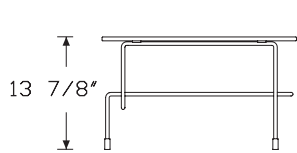
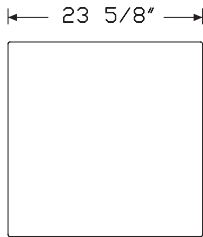


Product Information

Description

This table has a steel rod frame and 12mm acrylic stone top. Suitable for outdoor use.

Dimensions



Specification Information

Step 1.

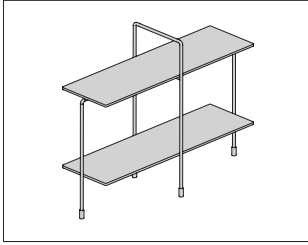
XXTV2711 [A] \$1057

Step 2. Frame Finish

5011 white [A] +\$0

Traffic Low Side Table

XXTV2

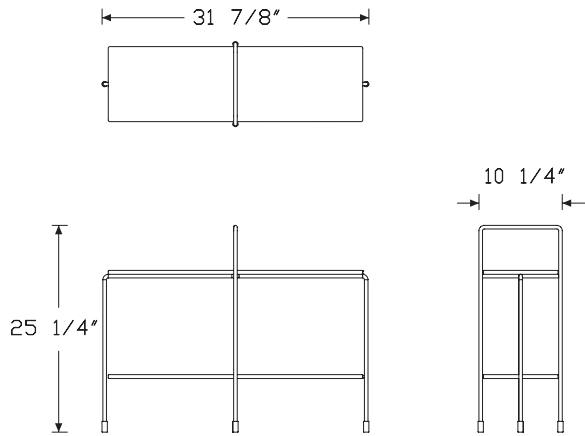


Product Information

Description

This table has a steel rod frame and 12mm acrylic stone top.

Dimensions



Specification Information

Step 1.

XXTV2720 A \$605

Step 2. Frame Finish

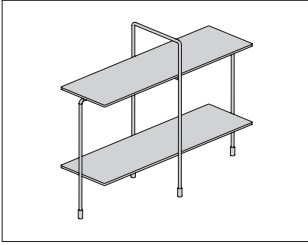
5011 white A +\$0

5013 black A +\$0

Herman Miller Collection—Occasional Tables

Traffic Low Side Table, Suitable
for Outdoor Use

XXTV2



Product Information

Description

This table has a steel rod frame and 12mm acrylic stone top. Suitable for outdoor use.

Dimensions

Specification Information

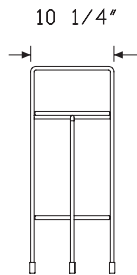
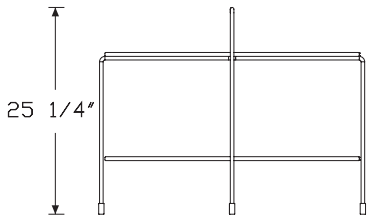
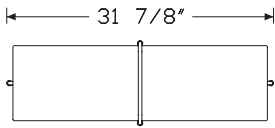
Step 1.

XXTV2721 A \$666

Step 2. Frame Finish

5011 white A +\$0

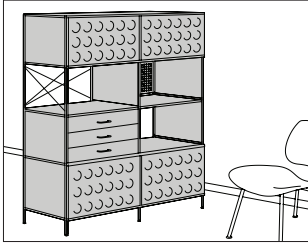
HermanMiller Collection—Occasional Tables



Storage

Eames® Storage Unit

ESU100
ESU150
ESU201
ESU230
ESU420



Product Information

Description

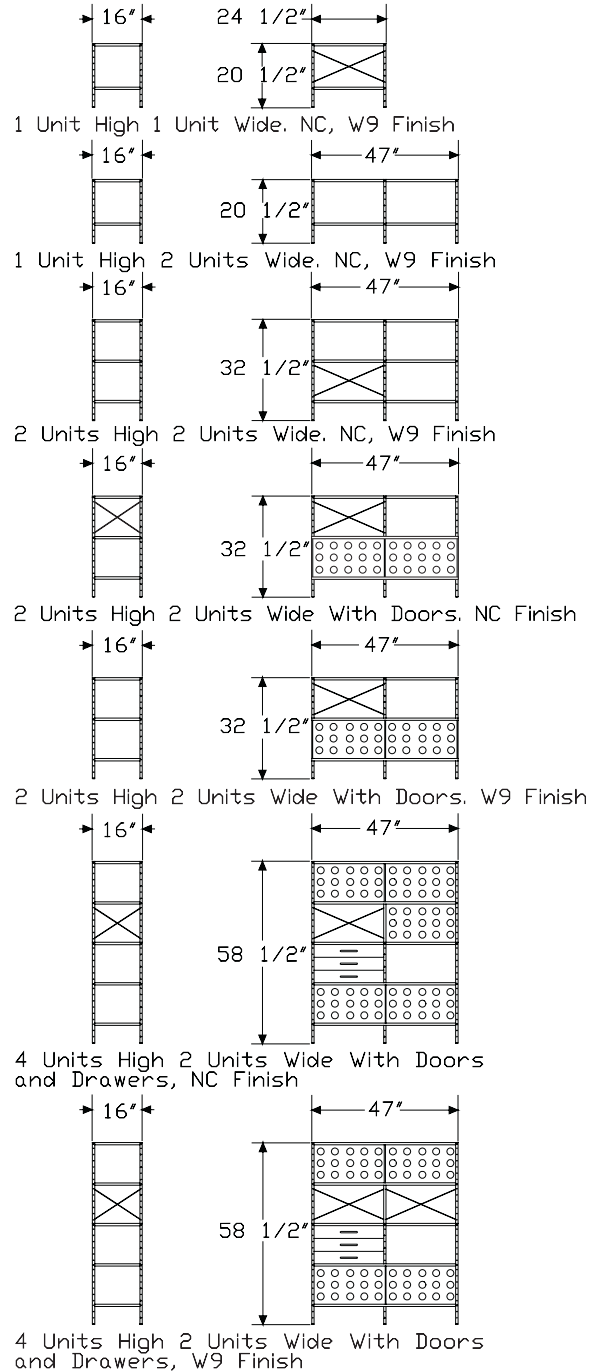
This storage unit is available in 1, 2, or 4 units high and 1 or 2 units wide with 5 configurations of shelves, drawers, and enclosed storage for books or binders. Some units have dimpled plywood doors; plywood drawer units and shelves; painted side and back panels; and steel uprights, cross supports, and perforated panels. The storage unit has adjustable glides.

Notes

For 2 units high, 2 units wide configurations (ESU201., ESU230.) with natural color (NC) surface finish, the divider between the top shelves is a cross-bar wire.

For 2 units high, 2 units wide configurations (ESU201., ESU230.) with multi-color (W9) surface finish, the divider between the top shelves is a blue panel.

Dimensions



Eames® Storage Unit *continued*

Specification Information

Step 1.

ESU A

Step 2. Configuration

- 150.** 1 unit high, 1 unit wide A
- 100.** 1 unit high, 2 units wide A
- 201.** 2 units high, 2 units wide A
- 230.** 2 units high, 2 units wide, with doors A
- 420.** 4 units high, 2 units wide A

Prices for Steps 1-2.

ESU150.	\$789
ESU100.	\$1329
ESU201.	\$1772
ESU230.	\$2264
ESU420.	\$4182

Step 3. Frame Finish

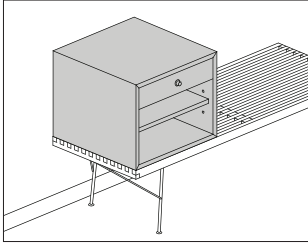
		150.	100.	201.	230.	420.
ZC	zinc plated <input type="checkbox"/> A	+\$0	0	0	0	0
BU	black <input type="checkbox"/> A	+\$49	49	77	77	157

Step 4. Surface Finish

NC	natural color <input type="checkbox"/> A		+\$0
W9	multi-color <input type="checkbox"/> A		+\$0

Nelson™ Basic Cabinet Series
16.5 x 18

BC1618

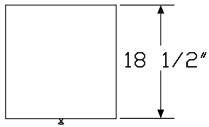


Product Information

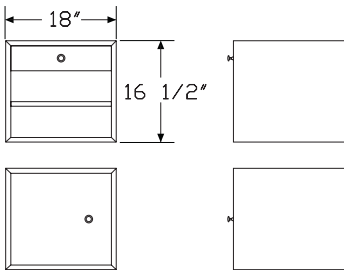
Description

This veneer cabinet provides small item storage and can be used freestanding or placed on top of the Nelson™ platform bench.

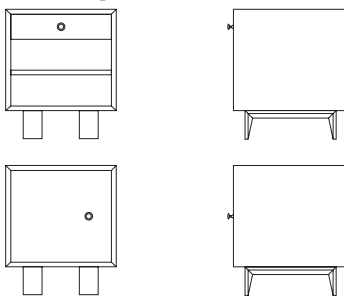
Dimensions



platform bench-mount base (B)



wood leg (W)



Specification Information

Step 1.

BC1618. [A]

Step 2. Type

- B** open cabinet with 1 drawer [A]
- C** closed cabinet, left-hinged door [A]
- D** closed cabinet, right-hinged door [A]

Step 3. Leg/Base Option

- W** wood leg [A]
- B** platform bench-mount base [A]

Step 4. Pull

- A** aluminum alloy pull, silver [A]

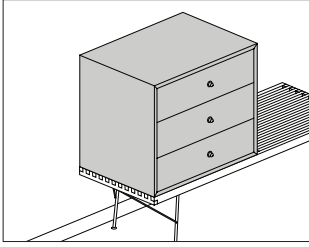
Prices for Steps 1-4.

			A
BC1618.	B	W	\$975
	B		\$975
	C	W	\$975
	B		\$975
	D	W	\$975
	B		\$975

Step 5. Finish

- 2U** light brown walnut [A] +\$0
- OK** natural oak [A] +\$0

Nelson™ Basic Cabinet Series BC2424
24 X 24



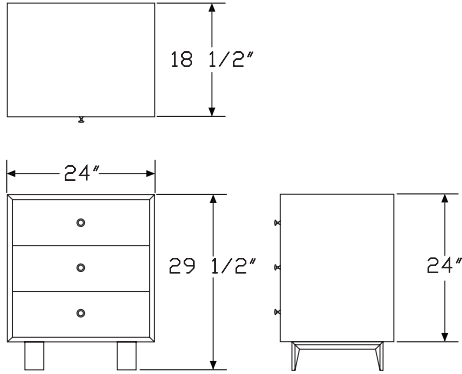
HermanMiller Collection—Storage

Product Information

Description

This veneer cabinet provides small item storage and can be used freestanding or placed on top of a Nelson™ platform bench.

Dimensions



Specification Information

Step 1.

BC2424. A

Step 2. Type

E 3-drawer cabinet A

Step 3. Leg/Base Option

W wood leg A

B platform bench-mount base A

Step 4. Pull

A aluminum alloy pull, silver A

Prices for Steps 1-4.

			A
BC2424.	E	W	\$2170
		B	\$2001

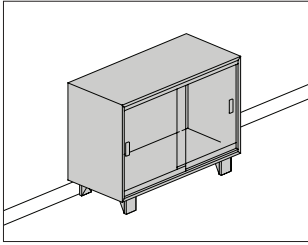
Step 5. Finish

2U light brown walnut A + \$0

OK natural oak A + \$0

Nelson™ Basic Cabinet Series
24 X 34

BC2434

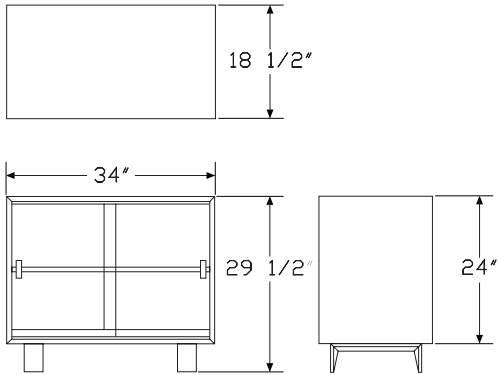


Product Information

Description

This veneer cabinet has 2 sliding glass doors and can be used freestanding or placed on top of a Nelson™ platform bench.

Dimensions



Specification Information

Step 1.

BC2434. [A]

Step 2. Type

J closed cabinet, 2 sliding doors [A]

Step 3. Leg/Base Option

W wood leg [A]

B platform bench-mount base [A]

Step 4. Pull

N no pull [A]

Prices for Steps 1-4.

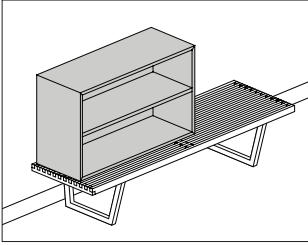
			N
BC2434.	J	W	\$2373
		B	\$2205

Step 5. Finish

2U light brown walnut [A] +\$0

OK natural oak [A] +\$0

Nelson™ Basic Cabinet Series BC2400
24 x 34 Bookcase

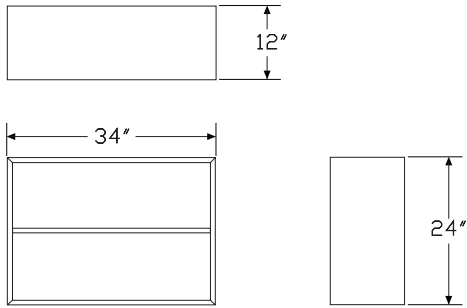


HermanMiller Collection—Storage

Product Information

Description
This 12"-deep veneer open bookcase sits on a Nelson™ platform bench and has a shelf that adjusts in 2" increments over a 6" range.

Dimensions



Specification Information

Step 1.

BC2400. A

Step 2. Type

H open bookcase A

Step 3. Leg/Base Option

B platform bench-mount base A

Step 4. Pull

N no pull A

Prices for Steps 1-4.

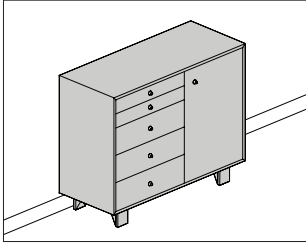
	N
BC2400. H B	\$1290

Step 5. Finish

2U light brown walnut <input type="checkbox"/> A	+ \$0
OK natural oak <input type="checkbox"/> A	+ \$0

Nelson™ Basic Cabinet Series
34 X 40

BC3440



Product Information

Description

This veneer freestanding cabinet is available with 5 drawers on the left side with a single door on the right, or with 2 full width drawers over double drawers.

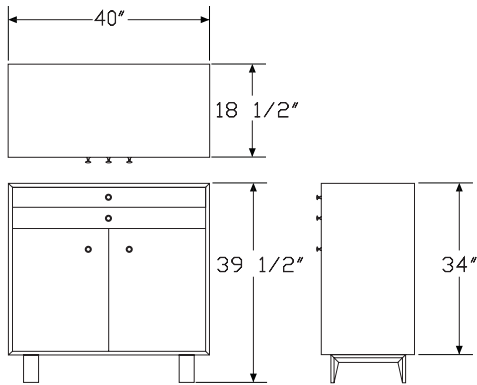
Notes

5-drawer cabinet with door option (L) has 2 shelves behind the door.

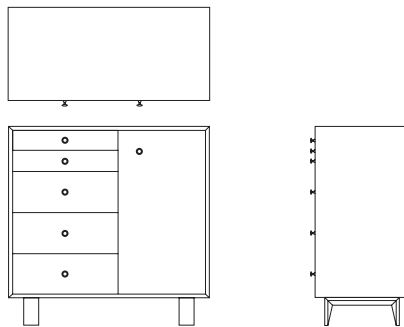
Each shelf adjusts in 2" increments over a 6" range.

Cabinet, 2 drawers over 2 doors option (M) has 1 shelf that adjusts in 2" increments over a 6" range.

Dimensions



M



L

Specification Information

Step 1.

BC3440. [A]

Step 2. Type

L 5-drawer cabinet with door [A]

M cabinet, 2 drawers over 2 doors [A]

Step 3. Leg Option

W wood leg [A]

Step 4. Pull

A aluminum alloy pull, silver [A]

Prices for Steps 1-4.

	A
BC3440. L W	\$2996
M W	\$2746

Step 5. Finish

2U light brown walnut [A] +\$0

OK natural oak [A] +\$0

Nelson™ Miniature Chest 6 Drawer NC526
NC556



HermanMiller Collection—Storage

Product Information

Description

This chest has 6 small drawers with metal pulls. The chest body and drawers are constructed of solid wood as specified, with laminate on the top surface. Depending on the model, it has 3/8" solid-brass glides or a 4-star aluminum base with adjustable glides.

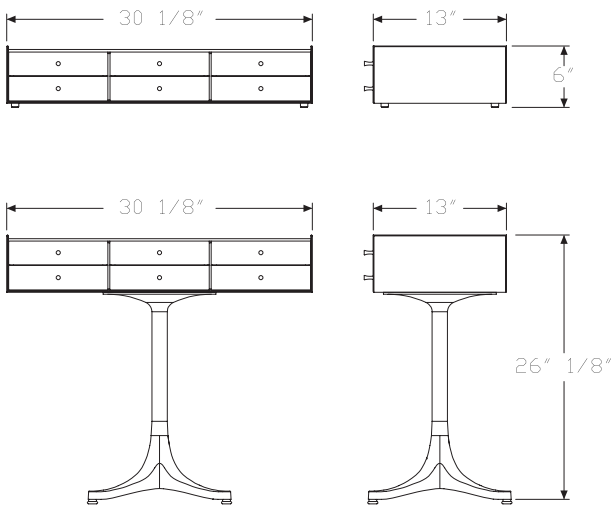
Notes

For the walnut and dark brown walnut combination (RT) option, the case finish is solid walnut and the drawer fronts are solid walnut stained dark brown.

For the white ash and walnut combination (UR) option, the case finish is solid white ash and the drawer fronts are solid walnut.

For the teak and dark brown teak combination (US) option, the case finish is solid teak and the drawer fronts are solid teak stained dark brown.

Dimensions



Specification Information

Step 1.

NC5 A

Step 2. Type

26 without pedestal base A

56 with pedestal base A

Prices for Steps 1-2.

NC526	\$2981
NC556	\$3424

Step 3. Case Finish

OU	walnut <input type="checkbox"/> A	+\$0
RT	walnut and dark brown walnut combination <input type="checkbox"/> A	+\$0
A2	white ash <input type="checkbox"/> A	+\$115
UR	white ash and walnut combination <input type="checkbox"/> A	+\$115
OT	teak <input type="checkbox"/> A	+\$591
US	teak and dark brown teak combination <input type="checkbox"/> A	+\$591

Step 4. Top Finish

Solid-Color Laminate

98	studio white <input type="checkbox"/> A	+\$0
BK	black - generic <input type="checkbox"/> A	+\$0

Step 5. Pull Finish

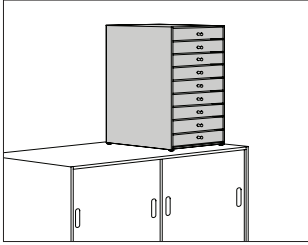
98	metal pull, studio white <input type="checkbox"/> A	+\$0
BK	metal pull, black <input type="checkbox"/> A	+\$0
L	metal pull, aluminum <input type="checkbox"/> A	+\$0

Step 6. Base Finish

For with pedestal base (56)

98	studio white <input type="checkbox"/> A	+\$0
BK	black <input type="checkbox"/> A	+\$0
L	polished aluminum <input type="checkbox"/> A	+\$50

Nelson™ Miniature Chest 9 Drawer NC529
NC559



Product Information

Description

This chest has 9 small drawers with metal pulls. The chest body and drawers are constructed of solid wood as specified. Depending on the model, it has 3/8" solid-brass glides or a 4-star aluminum base with adjustable glides.

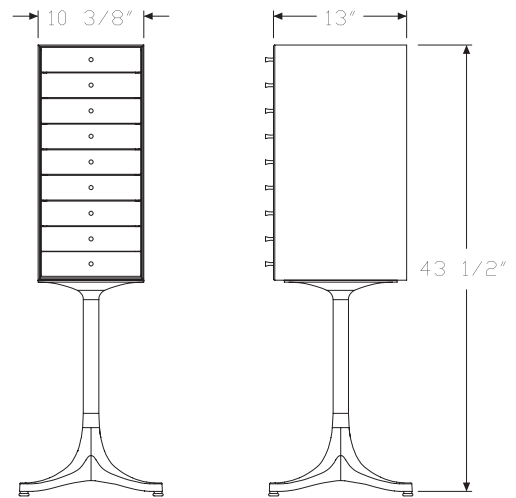
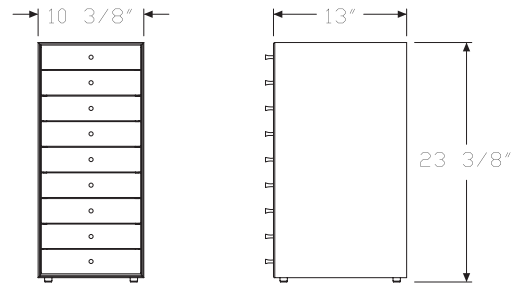
Notes

For the walnut and dark brown walnut combination (RT) option, the case finish is solid walnut and the drawer fronts are solid walnut stained dark brown.

For the white ash and walnut combination (UR) option, the case finish is solid white ash and the drawer fronts are solid walnut.

For the teak and dark brown teak combination (US) option, the case finish is solid teak and the drawer fronts are solid teak stained dark brown.

Dimensions



Nelson™ Miniature Chest 9 Drawer

continued

HermanMiller Collection—Storage

Specification Information

Step 1.

NC5

Step 2. Type

29 without pedestal base

59 with pedestal base

Prices for Steps 1-2.

NC529 \$3192

NC559 \$3610

Step 3. Case Finish

OU walnut +\$0

RT walnut and dark brown walnut combination +\$0

A2 white ash +\$144

UR white ash and walnut combination +\$144

OT teak +\$856

US teak and dark brown teak combination +\$856

Step 4. Pull Finish

98 metal pull, studio white +\$0

BK metal pull, black +\$0

L metal pull, aluminum +\$0

Step 5. Base Finish

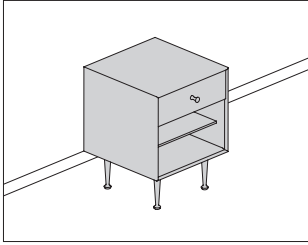
For with pedestal base (59)

98 studio white +\$0

BK black +\$0

L polished aluminum +\$50

Nelson™ Thin Edge Bedside Table TE1618



Product Information

Description

This bedside table has polished aluminum legs. The drawer has solid wood construction with soft closing slides.

Notes

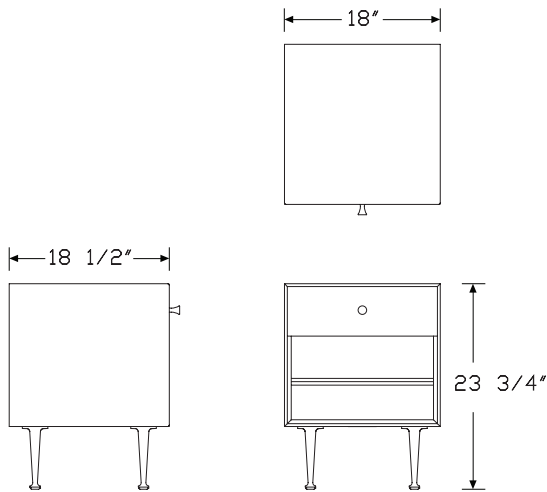
The unfinished back panel (BCF) option is intended for applications where this table will be placed against a wall.

For the walnut and dark brown walnut combination (RT) option, the case finish is walnut (OU) and the drawer or door fronts are dark brown walnut (40).

For the white ash and walnut combination (UR) option, the case finish is white ash (A2) and the drawer or door fronts are walnut (OU).

Santos palisander veneer is celebrated for its unique grain and color variations. Similar products ordered in multiples or dissimilar products ordered separately should be expected to have variation in both grain and color characteristics; no two products will look exactly alike.

Dimensions



Specification Information

Step 1.

TE1618. [A]

Step 2. Type

L bedside table with 1 drawer and 1 shelf [A]

Step 3. Leg

H 7" polished aluminum with height adjustable glide [A]

Step 4. Pull

A aluminum alloy pull, silver [A]

B metal pull, aluminum [A]

C metal pull, white [A]

D metal pull, black [A]

Prices for Steps 1-4.

		A	B	C	D
TE1618.	L H	\$2054	2079	2079	2079

Step 5. Case Finish

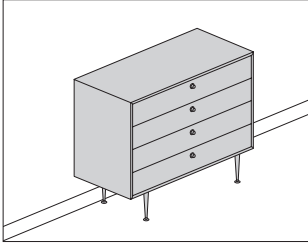
OU	walnut [A]				+\$0
A2	white ash [A]				+\$182
RT	walnut and dark brown walnut combination [A]				+\$182
UR	white ash and walnut combination [A]				+\$182
9N	santos palisander [A]				+\$6305

Step 6. Back Panel

		OU	A2	RT	UR	9N
BCF	unfinished (matte black) [A]	+\$0	0	0	0	0
BCG	finished alike [A]	+\$155	155	155	155	1397

Nelson™ Thin Edge Chest

TE2100



HermanMiller Collection—Storage

Product Information

Description

This chest has polished aluminum legs and either 3 or 4 drawers. Drawers are solid wood construction with soft closing slides.

Notes

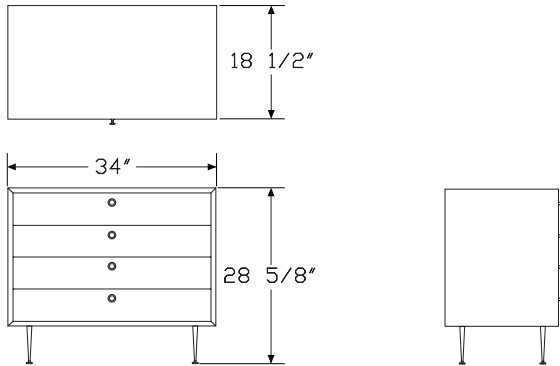
The unfinished back panel (BCF) option is intended for applications where this chest will be placed against a wall.

For the walnut and dark brown walnut combination (RT) option, the case finish is walnut (OU) and the drawer or door fronts are dark brown walnut (40).

For the white ash and walnut combination (UR) option, the case finish is white ash (A2) and the drawer or door fronts are walnut (OU).

Santos palisander veneer is celebrated for its unique grain and color variations. Similar products ordered in multiples or dissimilar products ordered separately should be expected to have variation in both grain and color characteristics; no two products will look exactly alike.

Dimensions



Specification Information

Step 1.

TE2100. [A]

Step 2. Type

S 4 drawer chest [A]
T 3 drawer chest [A]

Step 3. Leg

H 7" polished aluminum with height adjustable glide [A]

Step 4. Pull

A aluminum alloy pull, silver [A]
B metal pull, aluminum [A]
C metal pull, white [A]
D metal pull, black [A]

Prices for Steps 1-4.

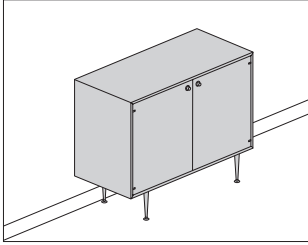
		A	B	C	D
TE2100.	S H	\$4918	4970	4970	4970
	T H	\$4672	4724	4724	4724

Step 5. Case Finish

OU	walnut [A]				+\$0
A2	white ash [A]				+\$233
RT	walnut and dark brown walnut combination [A]				+\$233
UR	white ash and walnut combination [A]				+\$233
9N	santos palisander [A]				+\$6305

Step 6. Back Panel

		OU	A2	RT	UR	9N
BCF	unfinished (matte black) [A]	+\$0	0	0	0	0
BCG	finished alike [A]	+\$155	155	155	155	776



Product Information

Description

This 2-door cabinet has polished aluminum legs and one adjustable shelf.

Notes

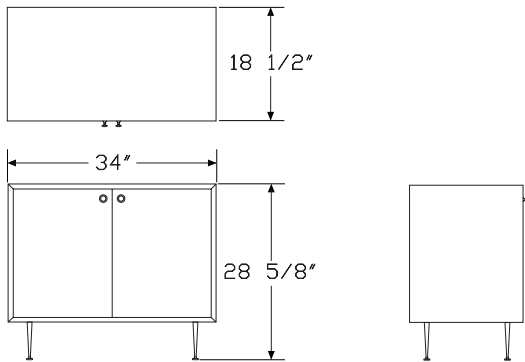
The unfinished back panel (BCF) option is intended for applications where this chest will be placed against a wall.

For the walnut and dark brown walnut combination (RT) option, the case finish is walnut (OU) and the drawer or door fronts are dark brown walnut (40).

For the white ash and walnut combination (UR) option, the case finish is white ash (A2) and the drawer or door fronts are walnut (OU).

Santos palisander veneer is celebrated for its unique grain and color variations. Similar products ordered in multiples or dissimilar products ordered separately should be expected to have variation in both grain and color characteristics; no two products will look exactly alike.

Dimensions



Specification Information

Step 1.

TE2134. [A]

Step 2. Type

G enclosed cabinet with 2 hinged doors [A]

Step 3. Leg

H 7" polished aluminum with height adjustable glide [A]

Step 4. Pull

A aluminum alloy pull, silver [A]

B metal pull, aluminum [A]

C metal pull, white [A]

D metal pull, black [A]

Prices for Steps 1-4.

	A	B	C	D
TE2134. G H	\$3850	3902	3902	3902

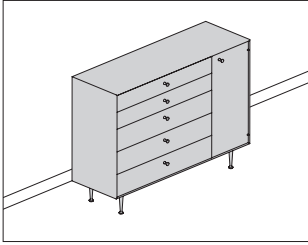
Step 5. Case Finish

OU walnut [A]					+\$0
A2 white ash [A]					+\$182
RT walnut and dark brown walnut combination [A]					+\$182
UR white ash and walnut combination [A]					+\$182
9N santos palisander [A]					+\$6305

Step 6. Back Panel

		OU	A2	RT	UR	9N
BCF unfinished (matte black) [A]		+\$0	0	0	0	0
BCG finished alike [A]		+\$155	155	155	155	1397

Nelson™ Thin Edge Chest Cabinet TE3400



Product Information

Description

This chest cabinet has polished aluminum legs. The 5 drawers have solid wood construction with soft closing slides. The 1-door cabinet portion has 2 adjustable shelves.

Notes

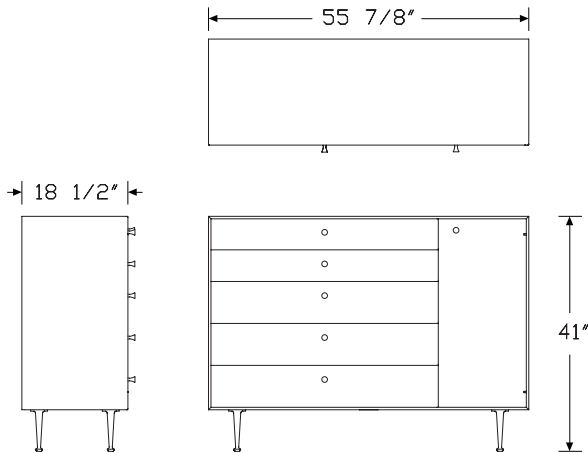
The unfinished back panel (BCF) option is intended for applications where this chest will be placed against a wall.

For the walnut and dark brown walnut combination (RT) option, the case finish is walnut (OU) and the drawer or door fronts are dark brown walnut (40).

For the white ash and walnut combination (UR) option, the case finish is white ash (A2) and the drawer or door fronts are walnut (OU).

Santos palisander veneer is celebrated for its unique grain and color variations. Similar products ordered in multiples or dissimilar products ordered separately should be expected to have variation in both grain and color characteristics; no two products will look exactly alike.

Dimensions



Specification Information

Step 1.

TE3400. A

Step 2. Type

E 5 drawer cabinet with 1 right door A

M 5 drawer cabinet with 1 left door A

Step 3. Leg

H 7" polished aluminum with height adjustable glide A

Step 4. Pull

A aluminum alloy pull, silver A

B metal pull, aluminum A

C metal pull, white A

D metal pull, black A

Prices for Steps 1-4.

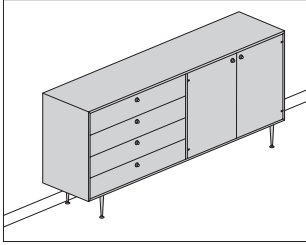
		A	B	C	D
TE3400.	E H	\$8220	8271	8271	8271
	M H	\$8220	8271	8271	8271

Step 5. Case Finish

OU	walnut A				+\$0
A2	white ash A				+\$384
RT	walnut and dark brown walnut combination A				+\$384
UR	white ash and walnut combination A				+\$384
9N	santos palisander A				+\$8991

Step 6. Back Panel

		OU	A2	RT	UR	9N
BCF	unfinished (matte black) A	+\$0	0	0	0	0
BCG	finished alike A	+\$260	260	260	260	2796



Product Information

Description

This buffet has polished aluminum legs. The four drawers have solid wood construction with soft closing slides. The two-door cabinet portion has 2 adjustable shelves.

Notes

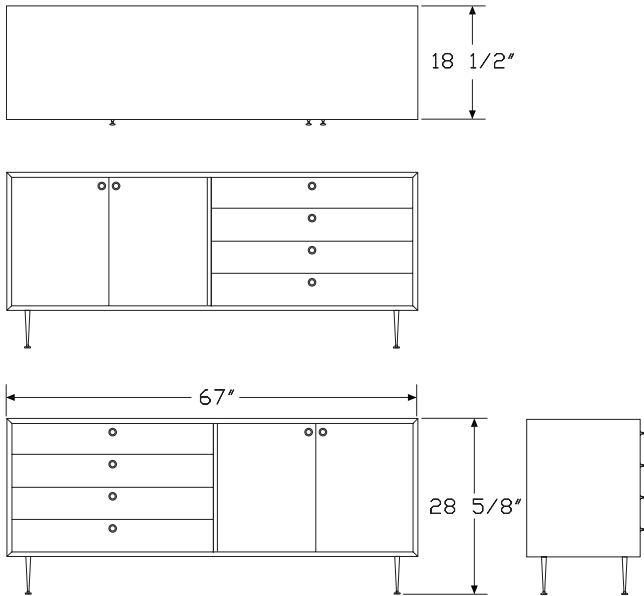
The unfinished back panel (BCF) option is intended for applications where this chest will be placed against a wall.

For the walnut and dark brown walnut combination (RT) option, the case finish is walnut (OU) and the drawer or door fronts are dark brown walnut (40).

For the white ash and walnut combination (UR) option, the case finish is white ash (A2) and the drawer or door fronts are walnut (OU).

Santos palisander veneer is celebrated for its unique grain and color variations. Similar products ordered in multiples or dissimilar products ordered separately should be expected to have variation in both grain and color characteristics; no two products will look exactly alike.

Dimensions



Specification Information

Step 1.

TE2167. [A]

Step 2. Type

R 4 drawer buffet with 2 doors [A]

L 4 drawer buffet with 2 left doors [A]

Step 3. Leg

H 7" polished aluminum with height adjustable glide [A]

Step 4. Pull

A aluminum alloy pull, silver [A]

B metal pull, aluminum [A]

C metal pull, white [A]

D metal pull, black [A]

Prices for Steps 1-4.

		A	B	C	D
TE2167.	R H	\$8096	8149	8149	8149
	L H	\$8096	8149	8149	8149

Step 5. Case Finish

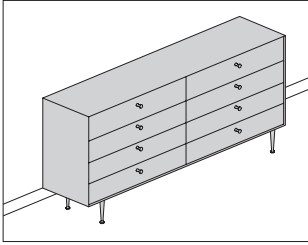
OU	walnut [A]				+\$0
A2	white ash [A]				+\$384
RT	walnut and dark brown walnut combination [A]				+\$384
UR	white ash and walnut combination [A]				+\$384
9N	santos palisander [A]				+\$8991

Step 6. Back Panel

		OU	A2	RT	UR	9N
BCF	unfinished (matte black) [A]	+\$0	0	0	0	0
BCG	finished alike [A]	+\$260	260	260	260	2796

Nelson™ Thin Edge Double Dresser

TE0204



HermanMiller Collection—Storage

Product Information

Description

This double dresser has polished aluminum legs. The 8 drawers have solid wood construction with soft closing slides.

Notes

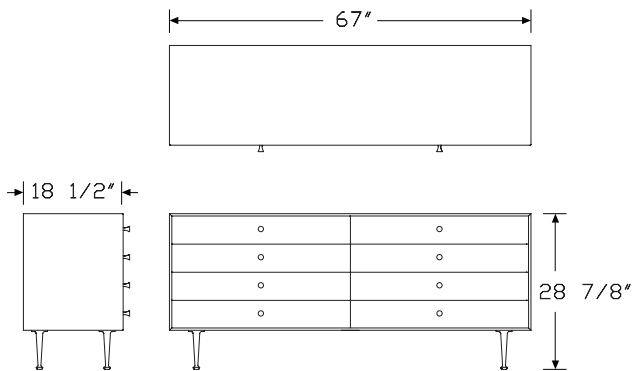
The unfinished back panel (BCF) option is intended for applications where this dresser will be placed against a wall.

For the walnut and dark brown walnut combination (RT) option, the case finish is walnut (OU) and the drawer or door fronts are dark brown walnut (40).

For the white ash and walnut combination (UR) option, the case finish is white ash (A2) and the drawer or door fronts are walnut (OU).

Santos palisander veneer is celebrated for its unique grain and color variations. Similar products ordered in multiples or dissimilar products ordered separately should be expected to have variation in both grain and color characteristics; no two products will look exactly alike.

Dimensions



Specification Information

Step 1.

TE0204. A

Step 2. Type

J eight drawer dresser A

Step 3. Leg

H 7" polished aluminum with height adjustable glide A

Step 4. Pull

A aluminum alloy pull, silver A

B metal pull, aluminum A

C metal pull, white A

D metal pull, black A

Prices for Steps 1-4.

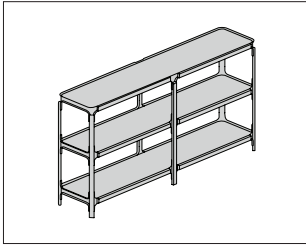
	A	B	C	D
TE0204. J H	\$6902	6953	6953	6953

Step 5. Case Finish

OU walnut A				+\$0
A2 white ash A				+\$384
RT walnut and dark brown walnut combination A				+\$384
UR white ash and walnut combination A				+\$384
9N santos palisander A				+\$8991

Step 6. Back Panel

	OU	A2	RT	UR	9N
BCF unfinished (matte black) A	+\$0	0	0	0	0
BCG finished alike A	+\$260	260	260	260	2796

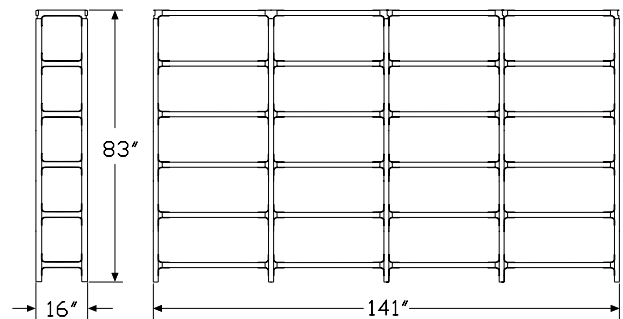
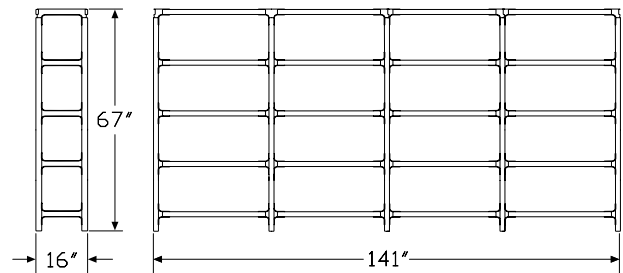
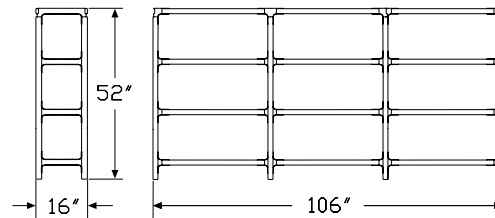
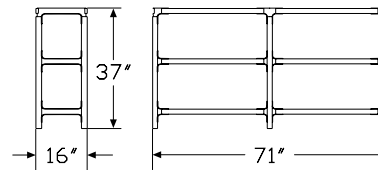
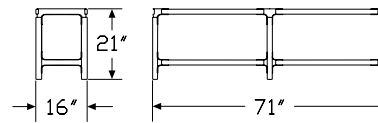


Product Information

Description

This shelving system has a natural beech frame, available in natural or painted. Steel plate joints are painted in epoxy resin. Shelves are painted medium-density fiberboard.

Dimensions



Steelwood Shelving System

continued

HermanMiller Collection—Storage

Specification Information

Step 1.

MGS90. A

Step 2. Number of Shelves

- 2 2 shelves A
- 3 3 shelves A
- 4 4 shelves A
- 5 5 shelves A
- 6 6 shelves A

Step 3. Number of Modules

- 1 1 Module A
- 2 2 modules A
- 3 3 modules A
- 4 4 modules A

Prices for Steps 1-3.

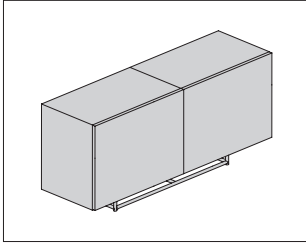
	1	2	3	4
MGS90.2	\$909	1682	2419	3176
3	\$1291	2366	3449	4541
4	\$1735	3139	4566	5960
5	\$2251	4015	5781	7550
6	\$2786	4967	7175	9335

Step 4. Frame/Shelf Finish

- YMB** black A +\$0
- YMC** natural beech/white A +\$0
- YMF** white A +\$0

Domino Credenza

IWCS2



Product Information

Description

This credenza provides shelf storage, is 2 units wide, and comes with contrasting exterior and interior veneer. Standard interior veneer is ash, and exterior veneer is available in santos palisander, walnut, and ebony. Credenza back exterior is finished. Bases and pulls are metal with chrome or satin chrome finish. Hinged door units 26" high include 1 adjustable shelf that is 3/4" thick.

Notes

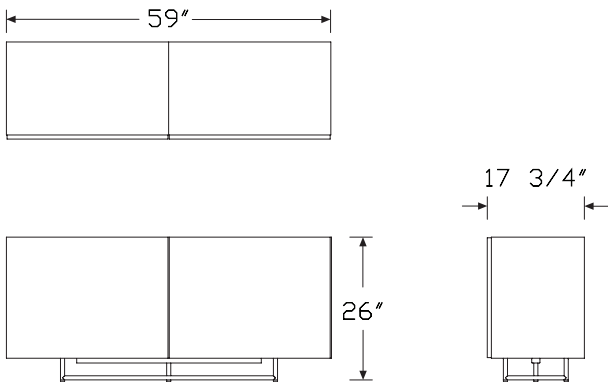
Locks are not available.

Shelves match interior finish.

Wood components in credenzas 2 and 3 units wide ship assembled.

Bases ship separately and must be field installed.

Dimensions



Specification Information

Step 1.

IWCS2C-185926 A \$4742

Step 2. Wood Finish

Matte Finishes

DAE	ebony exterior, ash interior	<input type="checkbox"/> A	+\$0
DAR	santos palisander exterior, ash interior	<input type="checkbox"/> A	+\$0
DAW	walnut exterior, ash interior	<input type="checkbox"/> A	+\$0

Step 3. Base Finish

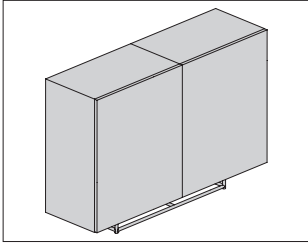
CHR	chrome	<input type="checkbox"/> A	+\$0
SAC	satin chrome	<input type="checkbox"/> A	+\$0

Step 4. Pull Finish

CHR	chrome	<input type="checkbox"/> A	+\$0
SAC	satin chrome	<input type="checkbox"/> A	+\$0

Domino Sideboard

IWSS2



HermanMiller Collection—Storage

Product Information

Description

This sideboard provides shelf storage, is 2 units wide, and comes with contrasting exterior and interior veneer. Standard interior veneer is ash, and exterior veneer is available in santos palisander, walnut, and ebony. Credenza back exterior is finished. Bases and pulls are metal with chrome or satin chrome finish. Hinged door units 40" high include 2 adjustable shelves that are each $\frac{3}{4}$ " thick.

Notes

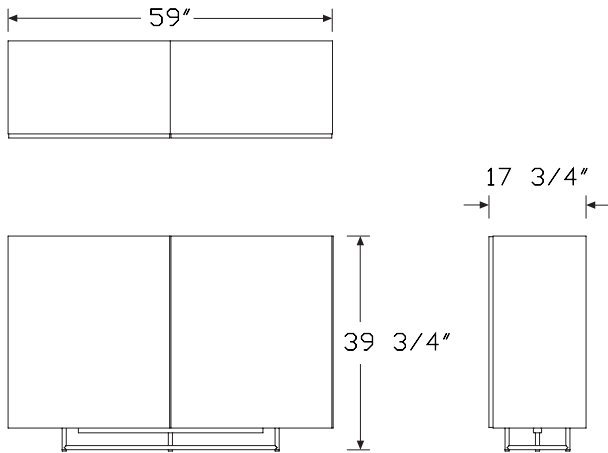
Locks are not available.

Shelves match interior finish.

Wood components in credenzas 2 and 3 units wide ship assembled.

Bases ship separately and must be field installed.

Dimensions



Specification Information

Step 1.

IWSS2C-185940 [A] \$5763

Step 2. Wood Finish

Matte Finishes

DAE	ebony exterior, ash interior	[A]	+\$0
DAR	santos palisander exterior, ash interior	[A]	+\$0
DAW	walnut exterior, ash interior	[A]	+\$0

Step 3. Base Finish

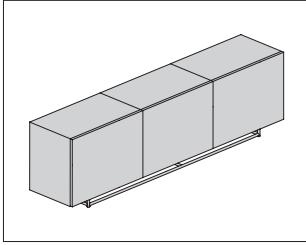
CHR	chrome	[A]	+\$0
SAC	satin chrome	[A]	+\$0

Step 4. Pull Finish

CHR	chrome	[A]	+\$0
SAC	satin chrome	[A]	+\$0

Domino Credenza

IWCS3



Product Information

Description

This credenza provides shelf storage, is 3 units wide, and comes with contrasting exterior and interior veneer. Standard interior veneer is ash, and exterior veneer is available in santos palisander, walnut, and ebony. Credenza back exterior is finished. Bases and pulls are metal with chrome or satin chrome finish. Hinged door units 26" high include 1 adjustable shelf that is 3/4" thick.

Notes

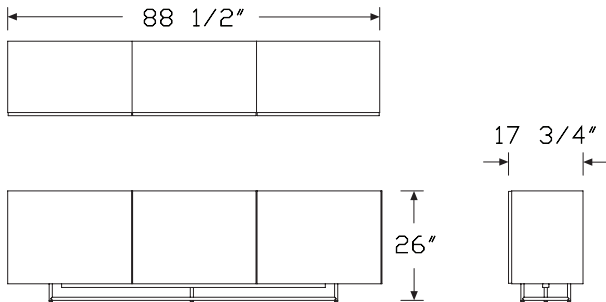
Locks are not available.

Shelves match interior finish.

Wood components in credenzas 2 and 3 units wide ship assembled.

Bases ship separately and must be field installed.

Dimensions



Specification Information

Step 1.

IWCS3C-188926 A \$7115

Step 2. Wood Finish

Matte Finishes

DAE	ebony exterior, ash interior	A	+\$0
DAR	santos palisander exterior, ash interior	A	+\$0
DAW	walnut exterior, ash interior	A	+\$0

Step 3. Base Finish

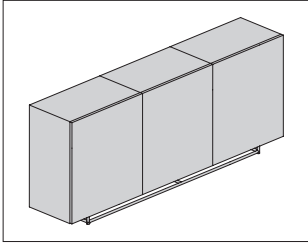
CHR	chrome	A	+\$0
SAC	satin chrome	A	+\$0

Step 4. Pull Finish

CHR	chrome	A	+\$0
SAC	satin chrome	A	+\$0

Domino Sideboard

IWSS3



HermanMiller Collection—Storage

Product Information

Description

This sideboard provides shelf storage, is 3 units wide, and comes with contrasting exterior and interior veneer. Standard interior veneer is ash, and exterior veneer is available in santos palisander, walnut, and ebony. Credenza back exterior is finished. Bases and pulls are metal with chrome or satin chrome finish. Hinged door units 40" high include 2 adjustable shelves that are each $\frac{3}{4}$ " thick.

Notes

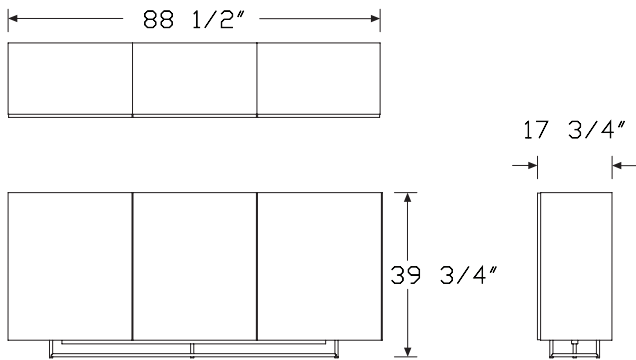
Locks are not available.

Shelves match interior finish.

Wood components in credenzas 2 and 3 units wide ship assembled.

Bases ship separately and must be field installed.

Dimensions



Specification Information

Step 1.

IWSS3C-188940 [A] \$8666

Step 2. Wood Finish

Matte Finishes

DAE ebony exterior, ash interior [A] +\$0
DAR santos palisander exterior, ash interior [A] +\$0
DAW walnut exterior, ash interior [A] +\$0

Step 3. Base Finish

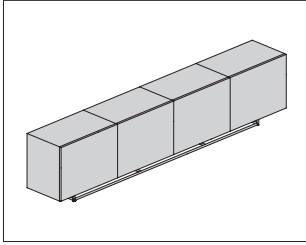
CHR chrome [A] +\$0
SAC satin chrome [A] +\$0

Step 4. Pull Finish

CHR chrome [A] +\$0
SAC satin chrome [A] +\$0

Domino Credenza

IWCS4



Product Information

Description

This credenza provides shelf storage, is 4 units wide, and comes with contrasting exterior and interior veneer. Standard interior veneer is ash, and exterior veneer is available in santos palisander, walnut, and ebony. Credenza back exterior is finished. Bases and pulls are metal with chrome or satin chrome finish. Hinged door units 26" high include 1 adjustable shelf that is 3/4" thick.

Notes

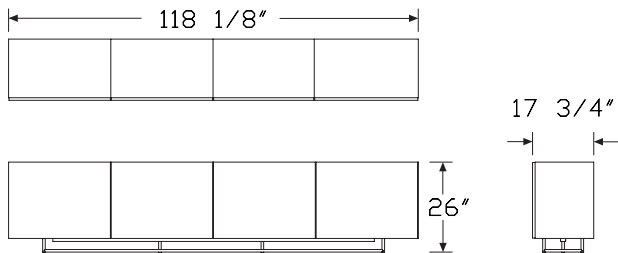
Locks are not available.

Shelves match interior finish.

Wood components in 4-unit-wide credenzas ship as 2 assembled units.

Bases ship separately and must be field installed.

Dimensions



Specification Information

Step 1.

IWCS4C-1811826 [A] \$9486

Step 2. Wood Finish

Matte Finishes

DAE	ebony exterior, ash interior	[A]	+\$0
DAR	santos palisander exterior, ash interior	[A]	+\$0
DAW	walnut exterior, ash interior	[A]	+\$0

Step 3. Base Finish

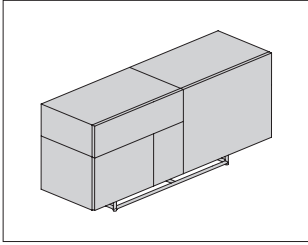
CHR	chrome	[A]	+\$0
SAC	satin chrome	[A]	+\$0

Step 4. Pull Finish

CHR	chrome	[A]	+\$0
SAC	satin chrome	[A]	+\$0

Domino Credenza

IWCM2



HermanMiller Collection—Storage

Product Information

Description

This credenza provides mixed storage, is 2 units wide, and comes with contrasting exterior and interior veneer. Standard interior veneer is ash, and exterior veneer is available in santos palisander, walnut, and ebony. Credenza back exterior is finished. Drawer boxes are quarter cut natural ash, and waste bin is a removable quarter cut natural ash box. Drawer boxes and waste bin have a hand-rubbed tung oil finish. Bases and pulls are metal with chrome or satin chrome finish. File drawers include stainless steel rods for hanging folders. Hinged door units 26" high include 1 adjustable shelf that is 3/4" thick.

Notes

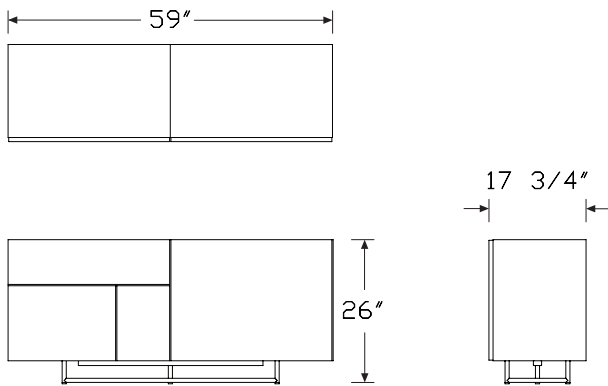
Locks are not available.

Shelves match interior finish.

Wood components in credenzas 2 and 3 units wide ship assembled.

Bases ship separately and must be field installed.

Dimensions



Specification Information

Step 1.

IWCM2C-185926 [A] \$10250

Step 2. Wood Finish

Matte Finishes

DAE ebony exterior, ash interior [A] +\$0

DAR santos palisander exterior, ash interior [A] +\$0

DAW walnut exterior, ash interior [A] +\$0

Step 3. Base Finish

CHR chrome [A] +\$0

SAC satin chrome [A] +\$0

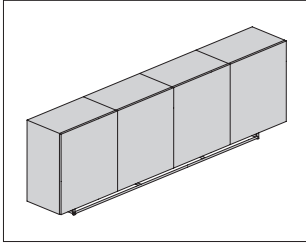
Step 4. Pull Finish

CHR chrome [A] +\$0

SAC satin chrome [A] +\$0

Domino Sideboard

IWSS4



Product Information

Description

This sideboard provides shelf storage, is 4 units wide, and comes with contrasting exterior and interior veneer. Standard interior veneer is ash, and exterior veneer is available in santos palisander, walnut, and ebony. Credenza back exterior is finished. Bases and pulls are metal with chrome or satin chrome finish. Hinged door units 40" high include 2 adjustable shelves that are each 3/4" thick.

Notes

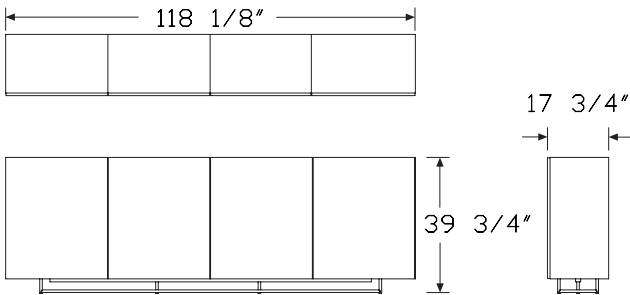
Locks are not available.

Shelves match interior finish.

Wood components in 4-unit-wide credenzas ship as 2 assembled units.

Bases ship separately and must be field installed.

Dimensions



Specification Information

Step 1.

IWSS4C-1811840 [A] \$11526

Step 2. Wood Finish

Matte Finishes

DAE	ebony exterior, ash interior [A]	+\$0
DAR	santos palisander exterior, ash interior [A]	+\$0
DAW	walnut exterior, ash interior [A]	+\$0

Step 3. Base Finish

CHR	chrome [A]	+\$0
SAC	satin chrome [A]	+\$0

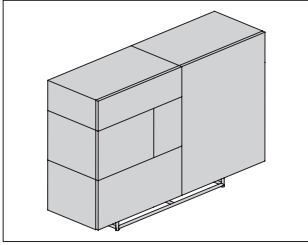
Step 4. Pull Finish

CHR	chrome [A]	+\$0
SAC	satin chrome [A]	+\$0

Domino Sideboard

IWSM2

HermanMiller Collection—Storage



Product Information

Description

This sideboard provides mixed storage, is 2 units wide, and comes with contrasting exterior and interior veneer. Standard interior veneer is ash, and exterior veneer is available in santos palisander, walnut, and ebony. Credenza back exterior is finished. Drawer boxes are quarter cut natural ash, and waste bin is a removable quarter cut natural ash box. Drawer boxes and waste bin have a hand-rubbed tung oil finish. Bases and pulls are metal with chrome or satin chrome finish. File drawers include stainless steel rods for hanging folders. Hinged door units 40" high include 2 adjustable shelves that are each 3/4" thick.

Notes

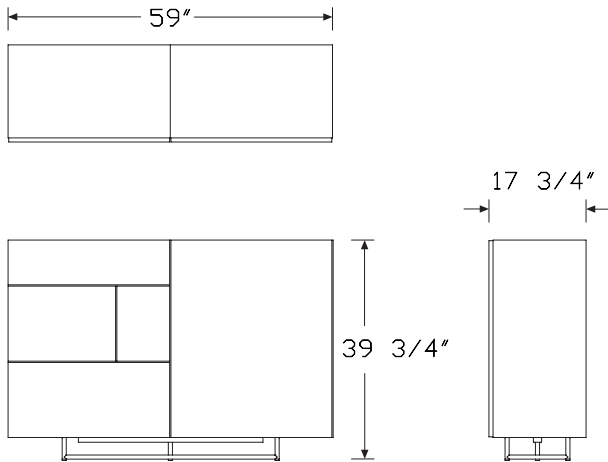
Locks are not available.

Shelves match interior finish.

Wood components in credenzas 2 and 3 units wide ship assembled.

Bases ship separately and must be field installed.

Dimensions



Specification Information

Step 1.

IWSM2C-185940 [A] \$13270

Step 2. Wood Finish

Matte Finishes

DAE ebony exterior, ash interior [A] +\$0
DAR santos palisander exterior, ash interior [A] +\$0
DAW walnut exterior, ash interior [A] +\$0

Step 3. Base Finish

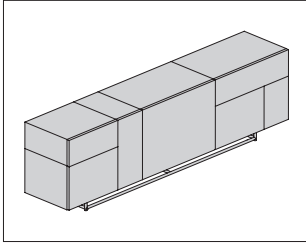
CHR chrome [A] +\$0
SAC satin chrome [A] +\$0

Step 4. Pull Finish

CHR chrome [A] +\$0
SAC satin chrome [A] +\$0

Domino Credenza

IWCM3



Product Information

Description

This credenza provides mixed storage, is 3 units wide, and comes with contrasting exterior and interior veneer. Standard interior veneer is ash, and exterior veneer is available in santos palisander, walnut, and ebony. Credenza back exterior is finished. Drawer boxes are quarter cut natural ash, and waste bin is a removable quarter cut natural ash box. Drawer boxes and waste bin have a hand-rubbed tung oil finish. Bases and pulls are metal with chrome or satin chrome finish. File drawers include stainless steel rods for hanging folders. Hinged door units 26" high include 1 adjustable shelf that is 3/4" thick.

Notes

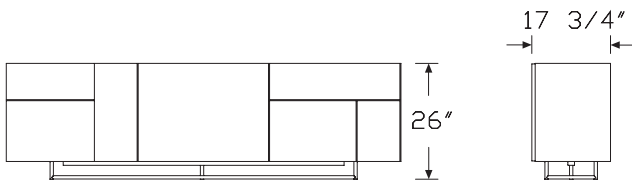
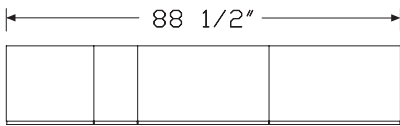
Locks are not available.

Shelves match interior finish.

Wood components in credenzas 2 and 3 units wide ship assembled.

Bases ship separately and must be field installed.

Dimensions



Specification Information

Step 1.

IWCM3C-188926 A \$17812

Step 2. Wood Finish

Matte Finishes

DAE	ebony exterior, ash interior	A	+\$0
DAR	santos palisander exterior, ash interior	A	+\$0
DAW	walnut exterior, ash interior	A	+\$0

Step 3. Base Finish

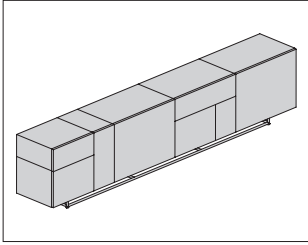
CHR	chrome	A	+\$0
SAC	satin chrome	A	+\$0

Step 4. Pull Finish

CHR	chrome	A	+\$0
SAC	satin chrome	A	+\$0

Domino Credenza

IWCM4



HermanMiller Collection—Storage

Product Information

Description

This credenza provides mixed storage, is 4 units wide, and comes with contrasting exterior and interior veneer. Standard interior veneer is ash, and exterior veneer is available in santos palisander, walnut, and ebony. Credenza back exterior is finished. Drawer boxes are quarter cut natural ash, and waste bin is a removable quarter cut natural ash box. Drawer boxes and waste bin have a hand-rubbed tung oil finish. Bases and pulls are metal with chrome or satin chrome finish. File drawers include stainless steel rods for hanging folders. Hinged door units 26" high include 1 adjustable shelf that is 3/4" thick.

Notes

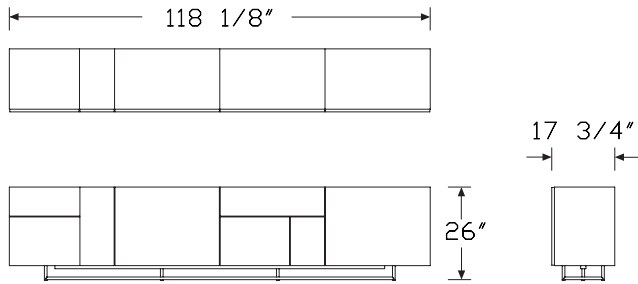
Locks are not available.

Shelves match interior finish.

Wood components in 4-unit-wide credenzas ship as 2 assembled units.

Bases ship separately and must be field installed.

Dimensions



Specification Information

Step 1.

IWCM4C-1811826 [A] \$20183

Step 2. Wood Finish

Matte Finishes

DAE	ebony exterior, ash interior [A]	+\$0
DAR	santos palisander exterior, ash interior [A]	+\$0
DAW	walnut exterior, ash interior [A]	+\$0

Step 3. Base Finish

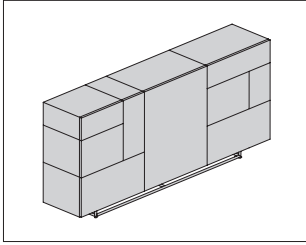
CHR	chrome [A]	+\$0
SAC	satin chrome [A]	+\$0

Step 4. Pull Finish

CHR	chrome [A]	+\$0
SAC	satin chrome [A]	+\$0

Domino Sideboard

IWSM3



Product Information

Description

This sideboard provides mixed storage, is 3 units wide, and comes with contrasting exterior and interior veneer. Standard interior veneer is ash, and exterior veneer is available in santos palisander, walnut, and ebony. Credenza back exterior is finished. Drawer boxes are quarter cut natural ash, and waste bin is a removable quarter cut natural ash box. Drawer boxes and waste bin have a hand-rubbed tung oil finish. Bases and pulls are metal with chrome or satin chrome finish. File drawers include stainless steel rods for hanging folders. Hinged door units 40" high include 2 adjustable shelves that are each 3/4" thick.

Notes

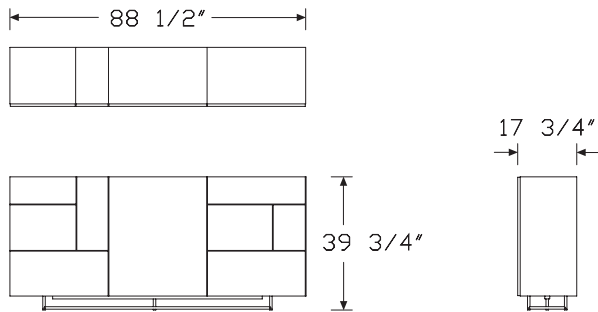
Locks are not available.

Shelves match interior finish.

Wood components in credenzas 2 and 3 units wide ship assembled.

Bases ship separately and must be field installed.

Dimensions



Specification Information

Step 1.

IWSM3C-188940 A \$23703

Step 2. Wood Finish

Matte Finishes

DAE	ebony exterior, ash interior	A	+\$0
DAR	santos palisander exterior, ash interior	A	+\$0
DAW	walnut exterior, ash interior	A	+\$0

Step 3. Base Finish

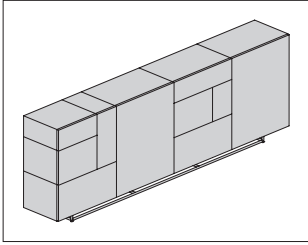
CHR	chrome	A	+\$0
SAC	satin chrome	A	+\$0

Step 4. Pull Finish

CHR	chrome	A	+\$0
SAC	satin chrome	A	+\$0

Domino Sideboard

IWSM4



HermanMiller Collection—Storage

Product Information

Description

This sideboard provides mixed storage, is 4 units wide, and comes with contrasting exterior and interior veneer. Standard interior veneer is ash, and exterior veneer is available in santos palisander, walnut, and ebony. Credenza back exterior is finished. Drawer boxes are quarter cut natural ash, and waste bin is a removable quarter cut natural ash box. Drawer boxes and waste bin have a hand-rubbed tung oil finish. Bases and pulls are metal with chrome or satin chrome finish. File drawers include stainless steel rods for hanging folders. Hinged door units 40" high include 2 adjustable shelves that are each 3/4" thick.

Notes

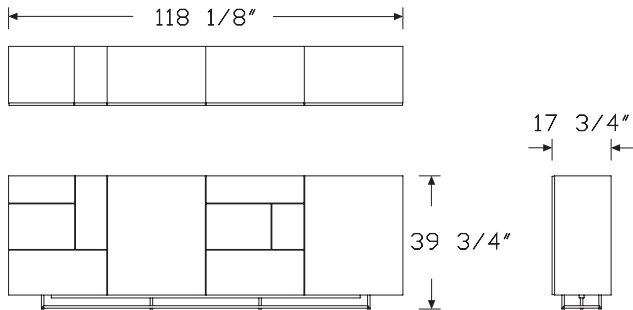
Locks are not available.

Shelves match interior finish.

Wood components in 4-unit-wide credenzas ship as 2 assembled units.

Bases ship separately and must be field installed.

Dimensions



Specification Information

Step 1.

IWSM4C-1811840 [A] \$26209

Step 2. Wood Finish

Matte Finishes

DAE	ebony exterior, ash interior	[A]	+\$0
DAR	santos palisander exterior, ash interior	[A]	+\$0
DAW	walnut exterior, ash interior	[A]	+\$0

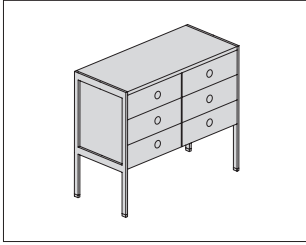
Step 3. Base Finish

CHR	chrome	[A]	+\$0
SAC	satin chrome	[A]	+\$0

Step 4. Pull Finish

CHR	chrome	[A]	+\$0
SAC	satin chrome	[A]	+\$0

H-Frame Credenza One Unit Wide JCH1-



Product Information

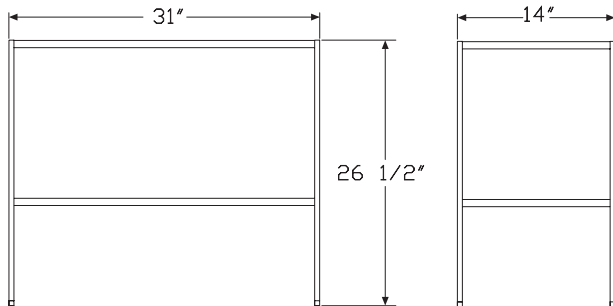
Description

This one-unit wide H-frame credenza has a wooden top and includes 1/2"-thick metal frame gables on the ends. H-frame credenzas are modular and shipped partially assembled.

Notes

All hardware for assembly is included.
 Drawer credenzas include wood boxes and self-closing hidden drawer slides.
 CG six box drawer credenza includes pencil trays and felt lining in bottom of top two drawers.
 When applicable, Ward Bennett Flip pulls come in matching metal finish.
 Santos palisander veneer is celebrated for its unique grain and color variations. Similar products ordered in multiples or dissimilar products ordered separately should be expected to have variation in both grain and color characteristics; no two products will look exactly alike.

Dimensions



Specification Information

Step 1.

JCH1 A

Step 2. Size

-1431 14" deep x 31" wide x 26 1/2" high A

Step 3. Configuration

- C1** open shelf A
- C2** two doors A
- CF** two 15" file drawers A
- CG** six box drawers (top two pencil trays) A
- CH** one file drawer A
- CK** three box drawers A

Prices for Steps 1-3.

JCH1-1431 -C1	\$2570
-C2	\$3685
-CF	\$3915
-CG	\$5420
-CH	\$3825
-CK	\$4570

Step 4. Wood Finish

Premium Veneer - Low Sheen

For open shelf (-C1)

921 champagne beech (natural) A	+\$0
931 champagne anigre (natural) A	+\$459
932 sundance anigre A	+\$459
933 caramel anigre A	+\$459
934 henna anigre A	+\$459
941 natural beech A	+\$0
942 sundance cherry (natural) A	+\$0
943 caramel cherry A	+\$0
944 henna cherry A	+\$0
945 port cherry A	+\$0
946 cocoa cherry A	+\$0
951 natural anigre A	+\$998
954 henna sapele A	+\$0
955 port sapele A	+\$0
956 cocoa sapele A	+\$0
957 espresso sapele A	+\$0
962 toasted walnut, low sheen A	+\$0
963 charred walnut, low sheen A	+\$0
964 bronzed walnut, low sheen A	+\$0
965 smoked walnut, low sheen A	+\$0

H-Frame Credenza One Unit Wide

continued

HermanMiller Collection—Storage

966	coffee walnut, low sheen A	+\$0
967	smoked paldao, low sheen A	+\$374
969	warm paldao, low sheen A	+\$374
973	caramel walnut A	+\$0
974	henna walnut A	+\$0
975	port walnut A	+\$0
976	cocoa walnut A	+\$0
977	chocolate ash, low sheen A	+\$0
978	natural oak A	+\$0
981	champagne hickory (natural) A	+\$0
98R	recograin rosewood A	+\$0
991	champagne ash A	+\$0
998	ebony ash A	+\$0
99A	recograin frosty ash A	+\$0
99R	recograin rosewood A	+\$0
99T	recograin teak A	+\$0
9A1	white ash, quarter cut, low sheen A	+\$0
9K1	rift oak, rift cut, low sheen A	+\$0
9K6	burnt oak, rift cut, low sheen A	+\$0
ED	aged cherry A	+\$0
EK	medium red walnut A	+\$0
G2U	light brown walnut, low sheen A	+\$0
G40	dark brown walnut, low sheen A	+\$0
UX	walnut on cherry A	+\$0

Premium Veneer - Matte

For open shelf (-C1)

662	toasted walnut, matte sheen A	+\$0
663	charred walnut, matte sheen A	+\$0
664	bronzed walnut, matte sheen A	+\$0
665	smoked walnut, matte sheen A	+\$0
666	coffee walnut, matte sheen A	+\$0
667	smoked paldao, quarter cut, matte sheen A	+\$374
669	warm paldao, quarter cut, matte sheen A	+\$374
66A	recograin frosty ash A	+\$0
677	chocolate ash, matte sheen A	+\$0
678	natural oak A	+\$0
68R	recograin rosewood A	+\$0
69A	recograin frosty ash A	+\$0
69R	recograin rosewood A	+\$0
69T	recograin teak A	+\$0
6A1	white ash A	+\$0
6A2	platinum ash A	+\$0
6K1	rift oak A	+\$0
6K6	burnt oak A	+\$0
ET	clear on ash A	+\$0
EU	oak on ash A	+\$0
EV	walnut on ash A	+\$0
GOU	natural walnut, flat cut, matte sheen A	+\$0

RecoGrain Veneer

For open shelf (-C1)

66G	recograin wenge A	-\$125
68W	recograin walnut, flat cut, matte sheen A	-\$125
69G	recograin wenge A	-\$125
69K	recograin oak, quarter cut, matte sheen A	-\$125
69W	recograin walnut, quarter cut, matte sheen A	-\$125

Recon Veneer -

For open shelf (-C1)

96G	wenge recograin, quarter cut, low sheen A	-\$125
98W	recograin walnut, flat cut, low sheen A	-\$125
99G	recograin wenge, quarter cut, low sheen A	-\$125
99K	recograin oak, quarter cut, low sheen A	-\$125
99W	recograin walnut, quarter cut, low sheen A	-\$125

H-Frame Credenza One Unit Wide

continued

Premium Veneer - Low Sheen

For two doors (-C2)

931	champagne anigre (natural) <input type="checkbox"/>	+\$658
932	sundance anigre <input type="checkbox"/>	+\$658
933	caramel anigre <input type="checkbox"/>	+\$658
934	henna anigre <input type="checkbox"/>	+\$658
941	natural beech <input type="checkbox"/>	+\$0
942	sundance cherry (natural) <input type="checkbox"/>	+\$0
943	caramel cherry <input type="checkbox"/>	+\$0
946	cocoa cherry <input type="checkbox"/>	+\$0
951	natural anigre <input type="checkbox"/>	+\$1432
956	cocoa sapele <input type="checkbox"/>	+\$0
962	toasted walnut, low sheen <input type="checkbox"/>	+\$0
963	charred walnut, low sheen <input type="checkbox"/>	+\$0
964	bronzed walnut, low sheen <input type="checkbox"/>	+\$0
965	smoked walnut, low sheen <input type="checkbox"/>	+\$0
966	coffee walnut, low sheen <input type="checkbox"/>	+\$0
967	smoked paldao, low sheen <input type="checkbox"/>	+\$537
969	warm paldao, low sheen <input type="checkbox"/>	+\$537
977	chocolate ash, low sheen <input type="checkbox"/>	+\$0
978	natural oak <input type="checkbox"/>	+\$0
981	champagne hickory (natural) <input type="checkbox"/>	+\$0
98R	recoGrain rosewood <input type="checkbox"/>	+\$0
991	champagne ash <input type="checkbox"/>	+\$0
998	ebony ash <input type="checkbox"/>	+\$0
99A	recoGrain frosty ash <input type="checkbox"/>	+\$0
99R	recoGrain rosewood <input type="checkbox"/>	+\$0
99T	recoGrain teak <input type="checkbox"/>	+\$0
9A1	white ash, quarter cut, low sheen <input type="checkbox"/>	+\$0
9K1	rift oak, rift cut, low sheen <input type="checkbox"/>	+\$0
9K6	burnt oak, rift cut, low sheen <input type="checkbox"/>	+\$0
ED	aged cherry <input type="checkbox"/>	+\$0
EK	medium red walnut <input type="checkbox"/>	+\$0
G2U	light brown walnut, low sheen <input type="checkbox"/>	+\$0
G40	dark brown walnut, low sheen <input type="checkbox"/>	+\$0
UX	walnut on cherry <input type="checkbox"/>	+\$0

Premium Veneer - Matte

For two doors (-C2)

662	toasted walnut, matte sheen <input type="checkbox"/>	+\$0
663	charred walnut, matte sheen <input type="checkbox"/>	+\$0
664	bronzed walnut, matte sheen <input type="checkbox"/>	+\$0
665	smoked walnut, matte sheen <input type="checkbox"/>	+\$0
666	coffee walnut, matte sheen <input type="checkbox"/>	+\$0
66A	recoGrain frosty ash <input type="checkbox"/>	+\$0
677	chocolate ash, matte sheen <input type="checkbox"/>	+\$0
678	natural oak <input type="checkbox"/>	+\$0
68R	recoGrain rosewood <input type="checkbox"/>	+\$0
69A	recoGrain frosty ash <input type="checkbox"/>	+\$0
69R	recoGrain rosewood <input type="checkbox"/>	+\$0
69T	recoGrain teak <input type="checkbox"/>	+\$0
6A1	white ash <input type="checkbox"/>	+\$0
6K1	rift oak <input type="checkbox"/>	+\$0
6K6	burnt oak <input type="checkbox"/>	+\$0
ET	clear on ash <input type="checkbox"/>	+\$0
EU	oak on ash <input type="checkbox"/>	+\$0
EV	walnut on ash <input type="checkbox"/>	+\$0
GOU	natural walnut, flat cut, matte sheen <input type="checkbox"/>	+\$0

RecoGrain Veneer

For two doors (-C2)

66G	recoGrain wenge <input type="checkbox"/>	-\$179
68W	recoGrain walnut, flat cut, matte sheen <input type="checkbox"/>	-\$179
69G	recoGrain wenge <input type="checkbox"/>	-\$179
69K	recoGrain oak, quarter cut, matte sheen <input type="checkbox"/>	-\$179
69W	recoGrain walnut, quarter cut, matte sheen <input type="checkbox"/>	-\$179

Recon Veneer -

For two doors (-C2)

96G	wenge recoGrain, quarter cut, low sheen <input type="checkbox"/>	-\$179
98W	recoGrain walnut, flat cut, low sheen <input type="checkbox"/>	-\$179
99G	recoGrain wenge, quarter cut, low sheen <input type="checkbox"/>	-\$179
99K	recoGrain oak, quarter cut, low sheen <input type="checkbox"/>	-\$179
99W	recoGrain walnut, quarter cut, low sheen <input type="checkbox"/>	-\$179

H-Frame Credenza One Unit Wide

continued

HermanMiller Collection—Storage

Premium Veneer - Low Sheen

For two 15" file drawers (-CF)

931	champagne anigre (natural) A	+\$699
932	sundance anigre A	+\$699
933	caramel anigre A	+\$699
934	henna anigre A	+\$699
941	natural beech A	+\$0
942	sundance cherry (natural) A	+\$0
943	caramel cherry A	+\$0
946	cocoa cherry A	+\$0
951	natural anigre A	+\$1521
956	cocoa sapele A	+\$0
962	toasted walnut, low sheen A	+\$0
963	charred walnut, low sheen A	+\$0
964	bronzed walnut, low sheen A	+\$0
965	smoked walnut, low sheen A	+\$0
966	coffee walnut, low sheen A	+\$0
967	smoked paldao, low sheen A	+\$571
969	warm paldao, low sheen A	+\$571
977	chocolate ash, low sheen A	+\$0
978	natural oak A	+\$0
981	champagne hickory (natural) A	+\$0
98R	recograin rosewood A	+\$0
991	champagne ash A	+\$0
998	ebony ash A	+\$0
99A	recograin frosty ash A	+\$0
99R	recograin rosewood A	+\$0
99T	recograin teak A	+\$0
9A1	white ash, quarter cut, low sheen A	+\$0
9K1	rift oak, rift cut, low sheen A	+\$0
9K6	burnt oak, rift cut, low sheen A	+\$0
ED	aged cherry A	+\$0
EK	medium red walnut A	+\$0
G2U	light brown walnut, low sheen A	+\$0
G40	dark brown walnut, low sheen A	+\$0
UX	walnut on cherry A	+\$0

Premium Veneer - Matte

For two 15" file drawers (-CF)

662	toasted walnut, matte sheen A	+\$0
663	charred walnut, matte sheen A	+\$0
664	bronzed walnut, matte sheen A	+\$0
665	smoked walnut, matte sheen A	+\$0
666	coffee walnut, matte sheen A	+\$0
667	smoked paldao, quarter cut, matte sheen A	+\$571
669	warm paldao, quarter cut, matte sheen A	+\$571
66A	recograin frosty ash A	+\$0
677	chocolate ash, matte sheen A	+\$0
678	natural oak A	+\$0
68R	recograin rosewood A	+\$0
69A	recograin frosty ash A	+\$0
69R	recograin rosewood A	+\$0
69T	recograin teak A	+\$0
6A1	white ash A	+\$0
6K1	rift oak A	+\$0
6K6	burnt oak A	+\$0
ET	clear on ash A	+\$0
EU	oak on ash A	+\$0
EV	walnut on ash A	+\$0
GOU	natural walnut, flat cut, matte sheen A	+\$0

RecoGrain Veneer

For two 15" file drawers (-CF)

66G	recograin wenge A	-\$191
68W	recograin walnut, flat cut, matte sheen A	-\$191
69G	recograin wenge A	-\$191
69K	recograin oak, quarter cut, matte sheen A	-\$191
69W	recograin walnut, quarter cut, matte sheen A	-\$191

Recon Veneer -

For two 15" file drawers (-CF)

96G	wenge recograin, quarter cut, low sheen A	-\$191
98W	recograin walnut, flat cut, low sheen A	-\$191
99G	recograin wenge, quarter cut, low sheen A	-\$191
99K	recograin oak, quarter cut, low sheen A	-\$191
99W	recograin walnut, quarter cut, low sheen A	-\$191

H-Frame Credenza One Unit Wide

continued

Premium Veneer - Low Sheen

For six box drawers (top two pencil trays) (-CG)

931	champagne anigre (natural) <input type="checkbox"/>	+\$968
932	sundance anigre <input type="checkbox"/>	+\$968
933	caramel anigre <input type="checkbox"/>	+\$968
934	henna anigre <input type="checkbox"/>	+\$968
941	natural beech <input type="checkbox"/>	+\$0
942	sundance cherry (natural) <input type="checkbox"/>	+\$0
943	caramel cherry <input type="checkbox"/>	+\$0
946	cocoa cherry <input type="checkbox"/>	+\$0
951	natural anigre <input type="checkbox"/>	+\$2104
956	cocoa sapele <input type="checkbox"/>	+\$0
962	toasted walnut, low sheen <input type="checkbox"/>	+\$0
963	charred walnut, low sheen <input type="checkbox"/>	+\$0
964	bronzed walnut, low sheen <input type="checkbox"/>	+\$0
965	smoked walnut, low sheen <input type="checkbox"/>	+\$0
966	coffee walnut, low sheen <input type="checkbox"/>	+\$0
967	smoked paldao, low sheen <input type="checkbox"/>	+\$789
969	warm paldao, low sheen <input type="checkbox"/>	+\$789
977	chocolate ash, low sheen <input type="checkbox"/>	+\$0
978	natural oak <input type="checkbox"/>	+\$0
981	champagne hickory (natural) <input type="checkbox"/>	+\$0
98R	recograin rosewood <input type="checkbox"/>	+\$0
991	champagne ash <input type="checkbox"/>	+\$0
998	ebony ash <input type="checkbox"/>	+\$0
99A	recograin frosty ash <input type="checkbox"/>	+\$0
99R	recograin rosewood <input type="checkbox"/>	+\$0
99T	recograin teak <input type="checkbox"/>	+\$0
9A1	white ash, quarter cut, low sheen <input type="checkbox"/>	+\$0
9K1	rift oak, rift cut, low sheen <input type="checkbox"/>	+\$0
9K6	burnt oak, rift cut, low sheen <input type="checkbox"/>	+\$0
ED	aged cherry <input type="checkbox"/>	+\$0
EK	medium red walnut <input type="checkbox"/>	+\$0
G2U	light brown walnut, low sheen <input type="checkbox"/>	+\$0
G40	dark brown walnut, low sheen <input type="checkbox"/>	+\$0
UX	walnut on cherry <input type="checkbox"/>	+\$0

Premium Veneer - Matte

For six box drawers (top two pencil trays) (-CG)

662	toasted walnut, matte sheen <input type="checkbox"/>	+\$0
663	charred walnut, matte sheen <input type="checkbox"/>	+\$0
664	bronzed walnut, matte sheen <input type="checkbox"/>	+\$0
665	smoked walnut, matte sheen <input type="checkbox"/>	+\$0
666	coffee walnut, matte sheen <input type="checkbox"/>	+\$0
667	smoked paldao, quarter cut, matte sheen <input type="checkbox"/>	+\$789
669	warm paldao, quarter cut, matte sheen <input type="checkbox"/>	+\$789
66A	recograin frosty ash <input type="checkbox"/>	+\$0
677	chocolate ash, matte sheen <input type="checkbox"/>	+\$0
678	natural oak <input type="checkbox"/>	+\$0
68R	recograin rosewood <input type="checkbox"/>	+\$0
69A	recograin frosty ash <input type="checkbox"/>	+\$0
69R	recograin rosewood <input type="checkbox"/>	+\$0
69T	recograin teak <input type="checkbox"/>	+\$0
6A1	white ash <input type="checkbox"/>	+\$0
6K1	rift oak <input type="checkbox"/>	+\$0
6K6	burnt oak <input type="checkbox"/>	+\$0
ET	clear on ash <input type="checkbox"/>	+\$0
EU	oak on ash <input type="checkbox"/>	+\$0
EV	walnut on ash <input type="checkbox"/>	+\$0
GOU	natural walnut, flat cut, matte sheen <input type="checkbox"/>	+\$0

RecoGrain Veneer

For six box drawers (top two pencil trays) (-CG)

66G	recograin wenge <input type="checkbox"/>	-\$263
68W	recograin walnut, flat cut, matte sheen <input type="checkbox"/>	-\$263
69G	recograin wenge <input type="checkbox"/>	-\$263
69K	recograin oak, quarter cut, matte sheen <input type="checkbox"/>	-\$263
69W	recograin walnut, quarter cut, matte sheen <input type="checkbox"/>	-\$263

Recon Veneer -

For six box drawers (top two pencil trays) (-CG)

96G	wenge recograin, quarter cut, low sheen <input type="checkbox"/>	-\$263
98W	recograin walnut, flat cut, low sheen <input type="checkbox"/>	-\$263
99G	recograin wenge, quarter cut, low sheen <input type="checkbox"/>	-\$263
99K	recograin oak, quarter cut, low sheen <input type="checkbox"/>	-\$263
99W	recograin walnut, quarter cut, low sheen <input type="checkbox"/>	-\$263

H-Frame Credenza One Unit Wide

continued

HermanMiller Collection—Storage

Premium Veneer - Low Sheen

For one file drawer (-CH)

931	champagne anigre (natural) A	+\$683
932	sundance anigre A	+\$683
933	caramel anigre A	+\$683
934	henna anigre A	+\$683
941	natural beech A	+\$0
942	sundance cherry (natural) A	+\$0
943	caramel cherry A	+\$0
946	cocoa cherry A	+\$0
951	natural anigre A	+\$1486
956	cocoa sapele A	+\$0
962	toasted walnut, low sheen A	+\$0
963	charred walnut, low sheen A	+\$0
964	bronzed walnut, low sheen A	+\$0
965	smoked walnut, low sheen A	+\$0
966	coffee walnut, low sheen A	+\$0
967	smoked paldao, low sheen A	+\$558
969	warm paldao, low sheen A	+\$558
977	chocolate ash, low sheen A	+\$0
978	natural oak A	+\$0
981	champagne hickory (natural) A	+\$0
98R	recograin rosewood A	+\$0
991	champagne ash A	+\$0
998	ebony ash A	+\$0
99A	recograin frosty ash A	+\$0
99R	recograin rosewood A	+\$0
99T	recograin teak A	+\$0
9A1	white ash, quarter cut, low sheen A	+\$0
9K1	rift oak, rift cut, low sheen A	+\$0
9K6	burnt oak, rift cut, low sheen A	+\$0
ED	aged cherry A	+\$0
EK	medium red walnut A	+\$0
G2U	light brown walnut, low sheen A	+\$0
G40	dark brown walnut, low sheen A	+\$0
UX	walnut on cherry A	+\$0

Premium Veneer - Matte

For one file drawer (-CH)

662	toasted walnut, matte sheen A	+\$0
663	charred walnut, matte sheen A	+\$0
664	bronzed walnut, matte sheen A	+\$0
665	smoked walnut, matte sheen A	+\$0
666	coffee walnut, matte sheen A	+\$0
667	smoked paldao, quarter cut, matte sheen A	+\$558
669	warm paldao, quarter cut, matte sheen A	+\$558
66A	recograin frosty ash A	+\$0
677	chocolate ash, matte sheen A	+\$0
678	natural oak A	+\$0
68R	recograin rosewood A	+\$0
69A	recograin frosty ash A	+\$0
69R	recograin rosewood A	+\$0
69T	recograin teak A	+\$0
6A1	white ash A	+\$0
6K1	rift oak A	+\$0
6K6	burnt oak A	+\$0
ET	clear on ash A	+\$0
EU	oak on ash A	+\$0
EV	walnut on ash A	+\$0
GOU	natural walnut, flat cut, matte sheen A	+\$0

RecoGrain Veneer

For one file drawer (-CH)

66G	recograin wenge A	-\$186
68W	recograin walnut, flat cut, matte sheen A	-\$186
69G	recograin wenge A	-\$186
69K	recograin oak, quarter cut, matte sheen A	-\$186
69W	recograin walnut, quarter cut, matte sheen A	-\$186

Recon Veneer -

For one file drawer (-CH)

96G	wenge recograin, quarter cut, low sheen A	-\$186
98W	recograin walnut, flat cut, low sheen A	-\$186
99G	recograin wenge, quarter cut, low sheen A	-\$186
99K	recograin oak, quarter cut, low sheen A	-\$186
99W	recograin walnut, quarter cut, low sheen A	-\$186

H-Frame Credenza One Unit Wide

continued

Premium Veneer - Low Sheen

For three box drawers (-CK)

931	champagne anigre (natural) <input type="checkbox"/>	+\$816
932	sundance anigre <input type="checkbox"/>	+\$816
933	caramel anigre <input type="checkbox"/>	+\$816
934	henna anigre <input type="checkbox"/>	+\$816
941	natural beech <input type="checkbox"/>	+\$0
942	sundance cherry (natural) <input type="checkbox"/>	+\$0
943	caramel cherry <input type="checkbox"/>	+\$0
946	cocoa cherry <input type="checkbox"/>	+\$0
951	natural anigre <input type="checkbox"/>	+\$1775
956	cocoa sapele <input type="checkbox"/>	+\$0
962	toasted walnut, low sheen <input type="checkbox"/>	+\$0
963	charred walnut, low sheen <input type="checkbox"/>	+\$0
964	bronzed walnut, low sheen <input type="checkbox"/>	+\$0
965	smoked walnut, low sheen <input type="checkbox"/>	+\$0
966	coffee walnut, low sheen <input type="checkbox"/>	+\$0
967	smoked paldao, low sheen <input type="checkbox"/>	+\$666
969	warm paldao, low sheen <input type="checkbox"/>	+\$666
977	chocolate ash, low sheen <input type="checkbox"/>	+\$0
978	natural oak <input type="checkbox"/>	+\$0
981	champagne hickory (natural) <input type="checkbox"/>	+\$0
98R	recoGrain rosewood <input type="checkbox"/>	+\$0
991	champagne ash <input type="checkbox"/>	+\$0
998	ebony ash <input type="checkbox"/>	+\$0
99A	recoGrain frosty ash <input type="checkbox"/>	+\$0
99R	recoGrain rosewood <input type="checkbox"/>	+\$0
99T	recoGrain teak <input type="checkbox"/>	+\$0
9A1	white ash, quarter cut, low sheen <input type="checkbox"/>	+\$0
9K1	rift oak, rift cut, low sheen <input type="checkbox"/>	+\$0
9K6	burnt oak, rift cut, low sheen <input type="checkbox"/>	+\$0
ED	aged cherry <input type="checkbox"/>	+\$0
EK	medium red walnut <input type="checkbox"/>	+\$0
G2U	light brown walnut, low sheen <input type="checkbox"/>	+\$0
G40	dark brown walnut, low sheen <input type="checkbox"/>	+\$0
UX	walnut on cherry <input type="checkbox"/>	+\$0

Premium Veneer - Matte

For three box drawers (-CK)

662	toasted walnut, matte sheen <input type="checkbox"/>	+\$0
663	charred walnut, matte sheen <input type="checkbox"/>	+\$0
664	bronzed walnut, matte sheen <input type="checkbox"/>	+\$0
665	smoked walnut, matte sheen <input type="checkbox"/>	+\$0
666	coffee walnut, matte sheen <input type="checkbox"/>	+\$0
667	smoked paldao, quarter cut, matte sheen <input type="checkbox"/>	+\$666
669	warm paldao, quarter cut, matte sheen <input type="checkbox"/>	+\$666
66A	recoGrain frosty ash <input type="checkbox"/>	+\$0
677	chocolate ash, matte sheen <input type="checkbox"/>	+\$0
678	natural oak <input type="checkbox"/>	+\$0
68R	recoGrain rosewood <input type="checkbox"/>	+\$0
69A	recoGrain frosty ash <input type="checkbox"/>	+\$0
69R	recoGrain rosewood <input type="checkbox"/>	+\$0
69T	recoGrain teak <input type="checkbox"/>	+\$0
6A1	white ash <input type="checkbox"/>	+\$0
6K1	rift oak <input type="checkbox"/>	+\$0
6K6	burnt oak <input type="checkbox"/>	+\$0
ET	clear on ash <input type="checkbox"/>	+\$0
EU	oak on ash <input type="checkbox"/>	+\$0
EV	walnut on ash <input type="checkbox"/>	+\$0
GOU	natural walnut, flat cut, matte sheen <input type="checkbox"/>	+\$0

RecoGrain Veneer

For three box drawers (-CK)

66G	recoGrain wenge <input type="checkbox"/>	-\$222
68W	recoGrain walnut, flat cut, matte sheen <input type="checkbox"/>	-\$222
69G	recoGrain wenge <input type="checkbox"/>	-\$222
69K	recoGrain oak, quarter cut, matte sheen <input type="checkbox"/>	-\$222
69W	recoGrain walnut, quarter cut, matte sheen <input type="checkbox"/>	-\$222

Recon Veneer -

For three box drawers (-CK)

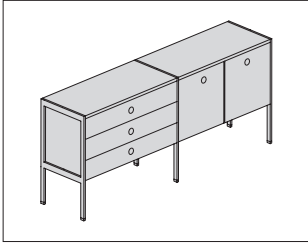
96G	wenge recoGrain, quarter cut, low sheen <input type="checkbox"/>	-\$222
98W	recoGrain walnut, flat cut, low sheen <input type="checkbox"/>	-\$222
99G	recoGrain wenge, quarter cut, low sheen <input type="checkbox"/>	-\$222
99K	recoGrain oak, quarter cut, low sheen <input type="checkbox"/>	-\$222
99W	recoGrain walnut, quarter cut, low sheen <input type="checkbox"/>	-\$222

Step 5. Metal Finish

BNZ	bronze <input type="checkbox"/>	+\$0
CHR	chrome <input type="checkbox"/>	+\$0
SAC	satin chrome <input type="checkbox"/>	+\$0

H-Frame Credenza Two Units Wide

JCH2-



Product Information

Description

This two-unit wide H-frame credenza has a wooden top and includes 1/2"-thick metal frame gables on the ends. H-frame credenzas are modular and shipped partially assembled.

Notes

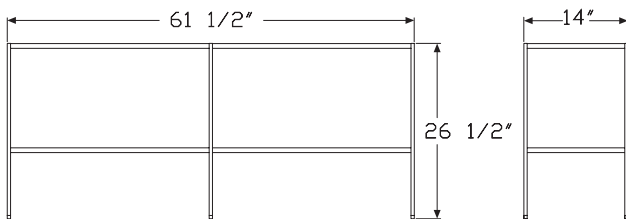
All hardware for assembly is included.

Drawer credenzas include wood boxes and self-closing hidden drawer slides.

CG six box drawer credenza includes pencil trays and felt lining in bottom of top two drawers.

When applicable, Ward Bennett Flip pulls come in matching metal finish. Santos palisander veneer is celebrated for its unique grain and color variations. Similar products ordered in multiples or dissimilar products ordered separately should be expected to have variation in both grain and color characteristics; no two products will look exactly alike.

Dimensions



Specification Information

Step 1.

JCH2 A

Step 2. Size

-1462 14" deep x 61 1/2" wide x 26 1/2" high A

Step 3. Configuration - left unit

- C1** open shelf A
- C2** two doors A
- CF** two 15" file drawers A
- CH** one file drawer A
- CK** three box drawers A

Step 4. Configuration - right unit

For open shelf (-C1)

C1 open shelf A

For two doors (-C2)

- C1** open shelf A
- C2** two doors A
- CG** six box drawers (top two pencil trays) A

For two 15" file drawers (-CF)

- CF** two 15" file drawers A
- CG** six box drawers (top two pencil trays) A

For one file drawer (-CH)

CH double doors left, 30" box/file right A

For three box drawers (-CK)

- C2** two doors A
- CF** two 15" file drawers A

Prices for Steps 1-4.

		C1	C2	CF	CG	CH
JCH2-1462	-C1	\$4520	—	—	—	—
	-C2	\$5020	6755	—	8485	—
	-CF	—	—	\$7215	8715	—
	-CH	—	—	—	—	\$7035
	-CK	—	\$7635	7870	—	—

H-Frame Credenza Two Units

Wide *continued*

Step 5. Wood Finish

Premium Veneer - Low Sheen

		-C1C1	-C2C1	-C2C2	-C2CG	-CFCF
931	champagne anigre (natural) A	+\$807	897	1206	1516	1289
932	sundance anigre A	+\$807	897	1206	1516	1289
933	caramel anigre A	+\$807	897	1206	1516	1289
934	henna anigre A	+\$807	897	1206	1516	1289
941	natural beech A	+\$0	0	0	0	0
942	sundance cherry (natural) A	+\$0	0	0	0	0
943	caramel cherry A	+\$0	0	0	0	0
946	cocoa cherry A	+\$0	0	0	0	0
951	natural anigre A	+\$1756	1950	2623	3296	2802
956	cocoa sapele A	+\$0	0	0	0	0
962	toasted walnut, low sheen A	+\$0	0	0	0	0
963	charred walnut, low sheen A	+\$0	0	0	0	0
964	bronzed walnut, low sheen A	+\$0	0	0	0	0
965	smoked walnut, low sheen A	+\$0	0	0	0	0
966	coffee walnut, low sheen A	+\$0	0	0	0	0
967	smoked paldao, low sheen A	+\$659	732	984	1236	1051
969	warm paldao, low sheen A	+\$659	732	984	1236	1051
977	chocolate ash, low sheen A	+\$0	0	0	0	0
978	natural oak A	+\$0	0	0	0	0
981	champagne hickory (natural) A	+\$0	0	0	0	0
98R	recograin rosewood A	+\$0	0	0	0	0
991	champagne ash A	+\$0	0	0	0	0
998	ebony ash A	+\$0	0	0	0	0
99A	recograin frosty ash A	+\$0	0	0	0	0
99R	recograin rosewood A	+\$0	0	0	0	0
99T	recograin teak A	+\$0	0	0	0	0
9A1	white ash, quarter cut, low sheen A	+\$0	0	0	0	0

9K1	rift oak, rift cut, low sheen A	+\$0	0	0	0	0
9K6	burnt oak, rift cut, low sheen A	+\$0	0	0	0	0
ED	aged cherry A	+\$0	0	0	0	0
EK	medium red walnut A	+\$0	0	0	0	0
G2U	light brown walnut, low sheen A	+\$0	0	0	0	0
G40	dark brown walnut, low sheen A	+\$0	0	0	0	0
UX	walnut on cherry A	+\$0	0	0	0	0

		-CFCG	-CHCH	-CKC2	-CKCF
931	champagne anigre (natural) A	+\$1557	1256	1364	1406
932	sundance anigre A	+\$1557	1256	1364	1406
933	caramel anigre A	+\$1557	1256	1364	1406
934	henna anigre A	+\$1557	1256	1364	1406
941	natural beech A	+\$0	0	0	0
942	sundance cherry (natural) A	+\$0	0	0	0
943	caramel cherry A	+\$0	0	0	0
946	cocoa cherry A	+\$0	0	0	0
951	natural anigre A	+\$3385	2732	2966	3056
956	cocoa sapele A	+\$0	0	0	0
962	toasted walnut, low sheen A	+\$0	0	0	0
963	charred walnut, low sheen A	+\$0	0	0	0
964	bronzed walnut, low sheen A	+\$0	0	0	0
965	smoked walnut, low sheen A	+\$0	0	0	0
966	coffee walnut, low sheen A	+\$0	0	0	0
967	smoked paldao, low sheen A	+\$1270	1025	1113	1146
969	warm paldao, low sheen A	+\$1270	1025	1113	1146
977	chocolate ash, low sheen A	+\$0	0	0	0
978	natural oak A	+\$0	0	0	0
981	champagne hickory (natural) A	+\$0	0	0	0
98R	recograin rosewood A	+\$0	0	0	0
991	champagne ash A	+\$0	0	0	0
998	ebony ash A	+\$0	0	0	0
99A	recograin frosty ash A	+\$0	0	0	0
99R	recograin rosewood A	+\$0	0	0	0
99T	recograin teak A	+\$0	0	0	0

H-Frame Credenza Two Units

Wide *continued*

HermanMiller Collection—Storage

9A1	white ash, quarter cut, low sheen <input type="checkbox"/>	+\$0	0	0	0	Premium Veneer - Matte						
9K1	rift oak, rift cut, low sheen <input type="checkbox"/>	+\$0	0	0	0	662	toasted walnut, matte sheen <input type="checkbox"/>	+\$0	0	0	0	0
9K6	burnt oak, rift cut, low sheen <input type="checkbox"/>	+\$0	0	0	0	663	charred walnut, matte sheen <input type="checkbox"/>	+\$0	0	0	0	0
ED	aged cherry <input type="checkbox"/>	+\$0	0	0	0	664	bronzed walnut, matte sheen <input type="checkbox"/>	+\$0	0	0	0	0
EK	medium red walnut <input type="checkbox"/>	+\$0	0	0	0	665	smoked walnut, matte sheen <input type="checkbox"/>	+\$0	0	0	0	0
G2U	light brown walnut, low sheen <input type="checkbox"/>	+\$0	0	0	0	666	coffee walnut, matte sheen <input type="checkbox"/>	+\$0	0	0	0	0
G40	dark brown walnut, low sheen <input type="checkbox"/>	+\$0	0	0	0	667	smoked paldao, quarter cut, matte sheen <input type="checkbox"/>	+\$659	732	984	1236	1051
UX	walnut on cherry <input type="checkbox"/>	+\$0	0	0	0	669	warm paldao, quarter cut, matte sheen <input type="checkbox"/>	+\$659	732	984	1236	1051
						66A	recograin frosty ash <input type="checkbox"/>	+\$0	0	0	0	0
						677	chocolate ash, matte sheen <input type="checkbox"/>	+\$0	0	0	0	0
						678	natural oak <input type="checkbox"/>	+\$0	0	0	0	0
						68R	recograin rosewood <input type="checkbox"/>	+\$0	0	0	0	0
						69A	recograin frosty ash <input type="checkbox"/>	+\$0	0	0	0	0
						69R	recograin rosewood <input type="checkbox"/>	+\$0	0	0	0	0
						69T	recograin teak <input type="checkbox"/>	+\$0	0	0	0	0
						6A1	white ash <input type="checkbox"/>	+\$0	0	0	0	0
						6K1	rift oak <input type="checkbox"/>	+\$0	0	0	0	0
						6K6	burnt oak <input type="checkbox"/>	+\$0	0	0	0	0
						ET	clear on ash <input type="checkbox"/>	+\$0	0	0	0	0
						EU	oak on ash <input type="checkbox"/>	+\$0	0	0	0	0
						EV	walnut on ash <input type="checkbox"/>	+\$0	0	0	0	0
						GOU	natural walnut, flat cut, matte sheen <input type="checkbox"/>	+\$0	0	0	0	0

H-Frame Credenza Two Units

Wide *continued*

		-CFCG	-CHCH	-CKC2	-CKCF
662	toasted walnut, matte sheen A	+\$0	0	0	0
663	charred walnut, matte sheen A	+\$0	0	0	0
664	bronzed walnut, matte sheen A	+\$0	0	0	0
665	smoked walnut, matte sheen A	+\$0	0	0	0
666	coffee walnut, matte sheen A	+\$0	0	0	0
667	smoked paldao, quarter cut, matte sheen A	+\$1270	1025	1113	1146
669	warm paldao, quarter cut, matte sheen A	+\$1270	1025	1113	1146
66A	recograin frosty ash A	+\$0	0	0	0
677	chocolate ash, matte sheen A	+\$0	0	0	0
678	natural oak A	+\$0	0	0	0
68R	recograin rosewood A	+\$0	0	0	0
69A	recograin frosty ash A	+\$0	0	0	0
69R	recograin rosewood A	+\$0	0	0	0
69T	recograin teak A	+\$0	0	0	0
6A1	white ash A	+\$0	0	0	0
6K1	rift oak A	+\$0	0	0	0
6K6	burnt oak A	+\$0	0	0	0
ET	clear on ash A	+\$0	0	0	0
EU	oak on ash A	+\$0	0	0	0
EV	walnut on ash A	+\$0	0	0	0
GOU	natural walnut, flat cut, matte sheen A	+\$0	0	0	0

RecoGrain Veneer

		-C1C1	-C2C1	-C2C2	-C2CG	-CFCF
66G	recograin wenge A	-\$220	-244	-328	-412	-351
68W	recograin walnut, flat cut, matte sheen A	-\$220	-244	-328	-412	-351
69G	recograin wenge A	-\$220	-244	-328	-412	-351
69K	recograin oak, quarter cut, matte sheen A	-\$220	-244	-328	-412	-351
69W	recograin walnut, quarter cut, matte sheen A	-\$220	-244	-328	-412	-351

		-CFCG	-CHCH	-CKC2	-CKCF
66G	recograin wenge A	-\$424	-342	-371	-382
68W	recograin walnut, flat cut, matte sheen A	-\$424	-342	-371	-382
69G	recograin wenge A	-\$424	-342	-371	-382
69K	recograin oak, quarter cut, matte sheen A	-\$424	-342	-371	-382
69W	recograin walnut, quarter cut, matte sheen A	-\$424	-342	-371	-382

Recon Veneer -

		-C1C1	-C2C1	-C2C2	-C2CG	-CFCF
96G	wenge recograin, quarter cut, low sheen A	-\$220	-244	-328	-412	-351
98W	recograin walnut, flat cut, low sheen A	-\$220	-244	-328	-412	-351
99G	recograin wenge, quarter cut, low sheen A	-\$220	-244	-328	-412	-351
99K	recograin oak, quarter cut, low sheen A	-\$220	-244	-328	-412	-351
99W	recograin walnut, quarter cut, low sheen A	-\$220	-244	-328	-412	-351

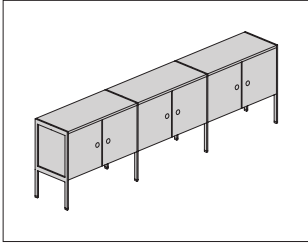
		-CFCG	-CHCH	-CKC2	-CKCF
96G	wenge recograin, quarter cut, low sheen A	-\$424	-342	-371	-382
98W	recograin walnut, flat cut, low sheen A	-\$424	-342	-371	-382
99G	recograin wenge, quarter cut, low sheen A	-\$424	-342	-371	-382
99K	recograin oak, quarter cut, low sheen A	-\$424	-342	-371	-382
99W	recograin walnut, quarter cut, low sheen A	-\$424	-342	-371	-382

Step 6. Metal Finish

BNZ	bronze A	+\$0
CHR	chrome A	+\$0
SAC	satin chrome A	+\$0

H-Frame Credenza Three Units Wide

JCH3-
Wide



HermanMiller Collection—Storage

Product Information

Description

This three-unit wide H-frame credenza has a wooden top and includes 1/2"-thick metal frame gables on the ends. H-frame credenzas are modular and shipped partially assembled.

Notes

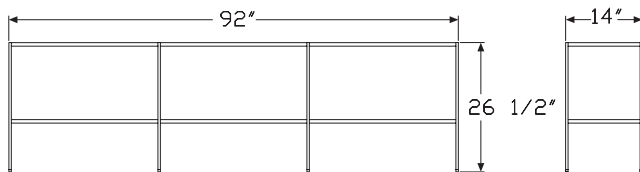
All hardware for assembly is included.

Drawer credenzas include wood boxes and self-closing hidden drawer slides.

CG six box drawer credenza includes pencil trays and felt lining in bottom of top two drawers.

When applicable, Ward Bennett Flip pulls come in matching metal finish. Santos palisander veneer is celebrated for its unique grain and color variations. Similar products ordered in multiples or dissimilar products ordered separately should be expected to have variation in both grain and color characteristics; no two products will look exactly alike.

Dimensions



Specification Information

Step 1.

JCH3

Step 2. Size

-1492 14" deep x 92" wide x 26 1/2" high

Step 3. Configuration - left unit

-C1 open shelf

-C2 two doors

-CF two 15" file drawers

-CH one file drawer

Step 4. Configuration - middle unit

For open shelf (-C1)

C1 open shelf

C2 two doors

CF two 15" file drawers

CG six box drawers (top two pencil trays)

For two doors (-C2)

C2 two doors

For two 15" file drawers (-CF)

CF two 15" file drawers

For one file drawer (-CH)

CH one file drawer

Step 5. Configuration - right unit

For open shelf (-C1) with open shelf (C1)

C1 open shelf

For open shelf (-C1) with two doors (C2)

C2 two doors

For open shelf (-C1) with two 15" file drawers (CF)

C2 two doors

For open shelf (-C1) with six box drawers (top two pencil trays) (CG)

C2 two doors

For two doors (-C2) with two doors (C2)

C2 two doors

H-Frame Credenza Three Units

Wide *continued*

For two 15" file drawers (-CF) with two 15" file drawers (CF)

CF two 15" file drawers

For one file drawer (-CH) with one file drawer (CH)

CH double doors left, 30" box/file right

Prices for Steps 1-5.

		C1	CF	CH	C2
JCH3-1492	-C1 C1	\$6469	—	—	—
	C2	—	—	—	\$8703
	CF	—	—	—	\$8935
	CG	—	—	—	\$10436
	-C2 C2	—	—	—	\$9818
	-CF CF	—	\$10512	—	—
	-CH CH	—	—	\$10243	—

Step 6. Wood Finish

Premium Veneer - Low Sheen

		-C1C1C1	-C1C2C2	-C1CF2	-C1CG2	-C2C2C2
931	champagne anigre (natural) <input type="checkbox"/>	+\$1155	1554	1596	1864	1754
932	sundance anigre <input type="checkbox"/>	+\$1155	1554	1596	1864	1754
933	caramel anigre <input type="checkbox"/>	+\$1155	1554	1596	1864	1754
934	henna anigre <input type="checkbox"/>	+\$1155	1554	1596	1864	1754
941	natural beech <input type="checkbox"/>	+\$0	0	0	0	0
942	sundance cherry (natural) <input type="checkbox"/>	+\$0	0	0	0	0
943	caramel cherry <input type="checkbox"/>	+\$0	0	0	0	0
946	cocoa cherry <input type="checkbox"/>	+\$0	0	0	0	0
951	natural anigre <input type="checkbox"/>	+\$2513	3380	3470	4053	3813
956	cocoa sapele <input type="checkbox"/>	+\$0	0	0	0	0
962	toasted walnut, low sheen <input type="checkbox"/>	+\$0	0	0	0	0
963	charred walnut, low sheen <input type="checkbox"/>	+\$0	0	0	0	0
964	bronzed walnut, low sheen <input type="checkbox"/>	+\$0	0	0	0	0
965	smoked walnut, low sheen <input type="checkbox"/>	+\$0	0	0	0	0
966	coffee walnut, low sheen <input type="checkbox"/>	+\$0	0	0	0	0
967	smoked paldao, low sheen <input type="checkbox"/>	+\$943	1268	1302	1520	1430
969	warm paldao, low sheen <input type="checkbox"/>	+\$943	1268	1302	1520	1430

977	chocolate ash, low sheen <input type="checkbox"/>	+\$0	0	0	0	0
978	natural oak <input type="checkbox"/>	+\$0	0	0	0	0
981	champagne hickory (natural) <input type="checkbox"/>	+\$0	0	0	0	0
98R	recograin rosewood <input type="checkbox"/>	+\$0	0	0	0	0
991	champagne ash <input type="checkbox"/>	+\$0	0	0	0	0
998	ebony ash <input type="checkbox"/>	+\$0	0	0	0	0
99A	recograin frosty ash <input type="checkbox"/>	+\$0	0	0	0	0
99R	recograin rosewood <input type="checkbox"/>	+\$0	0	0	0	0
99T	recograin teak <input type="checkbox"/>	+\$0	0	0	0	0
9A1	white ash, quarter cut, low sheen <input type="checkbox"/>	+\$0	0	0	0	0
9K1	rift oak, rift cut, low sheen <input type="checkbox"/>	+\$0	0	0	0	0
9K6	burnt oak, rift cut, low sheen <input type="checkbox"/>	+\$0	0	0	0	0
ED	aged cherry <input type="checkbox"/>	+\$0	0	0	0	0
EK	medium red walnut <input type="checkbox"/>	+\$0	0	0	0	0
G2U	light brown walnut, low sheen <input type="checkbox"/>	+\$0	0	0	0	0
G40	dark brown walnut, low sheen <input type="checkbox"/>	+\$0	0	0	0	0
UX	walnut on cherry <input type="checkbox"/>	+\$0	0	0	0	0

-CFCFCF -CHCHCH

931	champagne anigre (natural) <input type="checkbox"/>	+\$1878	1830
932	sundance anigre <input type="checkbox"/>	+\$1878	1830
933	caramel anigre <input type="checkbox"/>	+\$1878	1830
934	henna anigre <input type="checkbox"/>	+\$1878	1830
941	natural beech <input type="checkbox"/>	+\$0	0
942	sundance cherry (natural) <input type="checkbox"/>	+\$0	0
943	caramel cherry <input type="checkbox"/>	+\$0	0
946	cocoa cherry <input type="checkbox"/>	+\$0	0
951	natural anigre <input type="checkbox"/>	+\$4083	3978
956	cocoa sapele <input type="checkbox"/>	+\$0	0
962	toasted walnut, low sheen <input type="checkbox"/>	+\$0	0
963	charred walnut, low sheen <input type="checkbox"/>	+\$0	0
964	bronzed walnut, low sheen <input type="checkbox"/>	+\$0	0
965	smoked walnut, low sheen <input type="checkbox"/>	+\$0	0
966	coffee walnut, low sheen <input type="checkbox"/>	+\$0	0
967	smoked paldao, low sheen <input type="checkbox"/>	+\$1531	1492
969	warm paldao, low sheen <input type="checkbox"/>	+\$1531	1492

H-Frame Credenza Three Units

Wide *continued*

HermanMiller Collection—Storage

977	chocolate ash, low sheen <input type="checkbox"/>	+\$0	o
978	natural oak <input type="checkbox"/>	+\$0	o
981	champagne hickory (natural) <input type="checkbox"/>	+\$0	o
98R	recograin rosewood <input type="checkbox"/>	+\$0	o
991	champagne ash <input type="checkbox"/>	+\$0	o
998	ebony ash <input type="checkbox"/>	+\$0	o
99A	recograin frosty ash <input type="checkbox"/>	+\$0	o
99R	recograin rosewood <input type="checkbox"/>	+\$0	o
99T	recograin teak <input type="checkbox"/>	+\$0	o
9A1	white ash, quarter cut, low sheen <input type="checkbox"/>	+\$0	o
9K1	rift oak, rift cut, low sheen <input type="checkbox"/>	+\$0	o
9K6	burnt oak, rift cut, low sheen <input type="checkbox"/>	+\$0	o
ED	aged cherry <input type="checkbox"/>	+\$0	o
EK	medium red walnut <input type="checkbox"/>	+\$0	o
G2U	light brown walnut, low sheen <input type="checkbox"/>	+\$0	o
G40	dark brown walnut, low sheen <input type="checkbox"/>	+\$0	o
UX	walnut on cherry <input type="checkbox"/>	+\$0	o

Premium Veneer - Matte		-C1C1C1	-C1C2C2	-C1CFC2	-C1CGC2	-C2C2C2
662	toasted walnut, matte sheen <input type="checkbox"/>	+\$0	o	o	o	o
663	charred walnut, matte sheen <input type="checkbox"/>	+\$0	o	o	o	o
664	bronzed walnut, matte sheen <input type="checkbox"/>	+\$0	o	o	o	o
665	smoked walnut, matte sheen <input type="checkbox"/>	+\$0	o	o	o	o
666	coffee walnut, matte sheen <input type="checkbox"/>	+\$0	o	o	o	o
667	smoked paldao, quarter cut, matte sheen <input type="checkbox"/>	+\$943	1268	1302	1520	1430
669	warm paldao, quarter cut, matte sheen <input type="checkbox"/>	+\$943	1268	1302	1520	1430
66A	recograin frosty ash <input type="checkbox"/>	+\$0	o	o	o	o
677	chocolate ash, matte sheen <input type="checkbox"/>	+\$0	o	o	o	o
678	natural oak <input type="checkbox"/>	+\$0	o	o	o	o
68R	recograin rosewood <input type="checkbox"/>	+\$0	o	o	o	o
69A	recograin frosty ash <input type="checkbox"/>	+\$0	o	o	o	o
69R	recograin rosewood <input type="checkbox"/>	+\$0	o	o	o	o
69T	recograin teak <input type="checkbox"/>	+\$0	o	o	o	o
6A1	white ash <input type="checkbox"/>	+\$0	o	o	o	o
6K1	rift oak <input type="checkbox"/>	+\$0	o	o	o	o
6K6	burnt oak <input type="checkbox"/>	+\$0	o	o	o	o
ET	clear on ash <input type="checkbox"/>	+\$0	o	o	o	o
EU	oak on ash <input type="checkbox"/>	+\$0	o	o	o	o
EV	walnut on ash <input type="checkbox"/>	+\$0	o	o	o	o
GOU	natural walnut, flat cut, matte sheen <input type="checkbox"/>	+\$0	o	o	o	o

H-Frame Credenza Three Units

Wide *continued*

		-CFCFCF	-CHCHCH
662	toasted walnut, matte sheen <input type="checkbox"/>	+\$0	0
663	charred walnut, matte sheen <input type="checkbox"/>	+\$0	0
664	bronzed walnut, matte sheen <input type="checkbox"/>	+\$0	0
665	smoked walnut, matte sheen <input type="checkbox"/>	+\$0	0
666	coffee walnut, matte sheen <input type="checkbox"/>	+\$0	0
667	smoked paldao, quarter cut, matte sheen <input type="checkbox"/>	+\$1531	1492
669	warm paldao, quarter cut, matte sheen <input type="checkbox"/>	+\$1531	1492
66A	recograin frosty ash <input type="checkbox"/>	+\$0	0
677	chocolate ash, matte sheen <input type="checkbox"/>	+\$0	0
678	natural oak <input type="checkbox"/>	+\$0	0
68R	recograin rosewood <input type="checkbox"/>	+\$0	0
69A	recograin frosty ash <input type="checkbox"/>	+\$0	0
69R	recograin rosewood <input type="checkbox"/>	+\$0	0
69T	recograin teak <input type="checkbox"/>	+\$0	0
6A1	white ash <input type="checkbox"/>	+\$0	0
6K1	rift oak <input type="checkbox"/>	+\$0	0
6K6	burnt oak <input type="checkbox"/>	+\$0	0
ET	clear on ash <input type="checkbox"/>	+\$0	0
EU	oak on ash <input type="checkbox"/>	+\$0	0
EV	walnut on ash <input type="checkbox"/>	+\$0	0
GOU	natural walnut, flat cut, matte sheen <input type="checkbox"/>	+\$0	0

RecoGrain Veneer

		-C1C1C1	-C1C2C2	-C1CFC2	-C1CGC2	-C2C2C2
66G	recograin wenge <input type="checkbox"/>	-\$315	-423	-434	-507	-477
68W	recograin walnut, flat cut, matte sheen <input type="checkbox"/>	-\$315	-423	-434	-507	-477
69G	recograin wenge <input type="checkbox"/>	-\$315	-423	-434	-507	-477
69K	recograin oak, quarter cut, matte sheen <input type="checkbox"/>	-\$315	-423	-434	-507	-477
69W	recograin walnut, quarter cut, matte sheen <input type="checkbox"/>	-\$315	-423	-434	-507	-477

		-CFCFCF	-CHCHCH
66G	recograin wenge <input type="checkbox"/>	-\$511	-498
68W	recograin walnut, flat cut, matte sheen <input type="checkbox"/>	-\$511	-498
69G	recograin wenge <input type="checkbox"/>	-\$511	-498
69K	recograin oak, quarter cut, matte sheen <input type="checkbox"/>	-\$511	-498
69W	recograin walnut, quarter cut, matte sheen <input type="checkbox"/>	-\$511	-498

Recon Veneer -

		-C1C1C1	-C1C2C2	-C1CFC2	-C1CGC2	-C2C2C2
96G	wenge recograin, quarter cut, low sheen <input type="checkbox"/>	-\$315	-423	-434	-507	-477
98W	recograin walnut, flat cut, low sheen <input type="checkbox"/>	-\$315	-423	-434	-507	-477
99G	recograin wenge, quarter cut, low sheen <input type="checkbox"/>	-\$315	-423	-434	-507	-477
99K	recograin oak, quarter cut, low sheen <input type="checkbox"/>	-\$315	-423	-434	-507	-477
99W	recograin walnut, quarter cut, low sheen <input type="checkbox"/>	-\$315	-423	-434	-507	-477

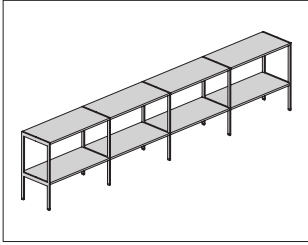
		-CFCFCF	-CHCHCH
96G	wenge recograin, quarter cut, low sheen <input type="checkbox"/>	-\$511	-498
98W	recograin walnut, flat cut, low sheen <input type="checkbox"/>	-\$511	-498
99G	recograin wenge, quarter cut, low sheen <input type="checkbox"/>	-\$511	-498
99K	recograin oak, quarter cut, low sheen <input type="checkbox"/>	-\$511	-498
99W	recograin walnut, quarter cut, low sheen <input type="checkbox"/>	-\$511	-498

Step 7. Metal Finish

BNZ	bronze <input type="checkbox"/>	+\$0
CHR	chrome <input type="checkbox"/>	+\$0
SAC	satin chrome <input type="checkbox"/>	+\$0

H-Frame Credenza Four Units Wide

JCH4-



Product Information

Description

This four-unit wide H-frame credenza has a wooden top and includes 1/2"-thick metal frame gables on the ends. H-frame credenzas are modular and shipped partially assembled.

Notes

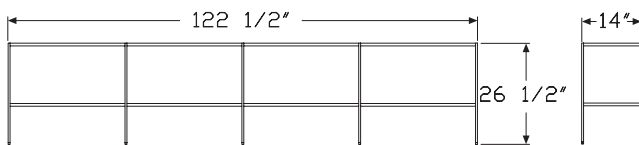
All hardware for assembly is included.

Drawer credenzas include wood boxes and self-closing hidden drawer slides.

CG six box drawer credenza includes pencil trays and felt lining in bottom of top two drawers.

When applicable, Ward Bennett Flip pulls come in matching metal finish. Santos palisander veneer is celebrated for its unique grain and color variations. Similar products ordered in multiples or dissimilar products ordered separately should be expected to have variation in both grain and color characteristics; no two products will look exactly alike.

Dimensions



Specification Information

Step 1.

JCH4

Step 2. Size

-14123 14" deep x 122 1/2" wide x 26 1/2" high

Step 3. Configuration - left unit

-C1 open shelf

-C2 two doors

-CF two 15" file drawers

-CH one file drawer

Step 4. Configuration - left center unit

For open shelf (-C1)

C1 open shelf

CG six box drawers (top two pencil trays)

For two doors (-C2)

C2 two doors

For two 15" file drawers (-CF)

CF two 15" file drawers

For one file drawer (-CH)

CH one file drawer

Step 5. Configuration - right center unit

For open shelf (-C1) with open shelf (C1)

C1 open shelf

C2 two doors

CG six box drawers (top two pencil trays)

For open shelf (-C1) with six box drawers (top two pencil trays) (CG)

CF two 15" file drawers

For two doors (-C2) with two doors (C2)

C2 two doors

For two 15" file drawers (-CF) with two 15" file drawers (CF)

CF two 15" file drawers

For one file drawer (-CH) with one file drawer (CH)

CH one file drawer

H-Frame Credenza Four Units

Wide *continued*

Herman Miller Collection—Storage

Step 6. Configuration - right unit

For open shelf (-C1) with open shelf (C1) with open shelf (C1)

C1 open shelf A

For open shelf (-C1) with open shelf (C1) with two doors (C2)

C2 two doors A

For open shelf (-C1) with open shelf (C1) with six box drawers (top two pencil trays) (CG)

C2 two doors A

For open shelf (-C1) with six box drawers (top two pencil trays) (CG) with two 15" file drawers (CF)

C2 two doors A

For two doors (-C2) with two doors (C2) with two doors (C2)

C2 two doors A

For two 15" file drawers (-CF) with two 15" file drawers (CF) with two 15" file drawers (CF)

CF two 15" file drawers A

For one file drawer (-CH) with one file drawer (CH) with one file drawer (CH)

CH double doors left, 30" box/file right A

Prices for Steps 1-6.

		C1C1	C1C2	CFCF	CFC2	CHCH	C2C2
JCH4-14123	-C1 C1	\$8421	—	—	—	—	10655
	CG	—	—	—	\$13733	—	—
	-C2 C2	—	—	—	—	—	\$12886
	-CF CF	—	—	\$13812	—	—	—
	-CH CH	—	—	—	—	—	\$13452
						CGCF	CGC2
JCH4-14123	-C1 C1						— \$12386

Step 7. Wood Finish

Premium Veneer - Low Sheen

For open shelf (C1), two doors (C2), two 15" file drawers (CF) AND one file drawer (CH)

		-C1C1C1	-C1C1C2	-C1C1CGC2	-C1CGCF2	-C2C2C2
931	champagne anigre (natural) A	+\$1504	1903	2212	2302	2467

932	sundance anigre A	+\$1504	1903	2212	2302	2467
933	caramel anigre A	+\$1504	1903	2212	2302	2467
934	henna anigre A	+\$1504	1903	2212	2302	2467
941	natural beech A	+\$0	0	0	0	0
942	sundance cherry (natural) A	+\$0	0	0	0	0
943	caramel cherry A	+\$0	0	0	0	0
946	cocoa cherry A	+\$0	0	0	0	0
951	natural anigre A	+\$3271	4138	4810	5005	5364
956	cocoa sapele A	+\$0	0	0	0	0
962	toasted walnut, low sheen A	+\$0	0	0	0	0
963	charred walnut, low sheen A	+\$0	0	0	0	0
964	bronzed walnut, low sheen A	+\$0	0	0	0	0
965	smoked walnut, low sheen A	+\$0	0	0	0	0
966	coffee walnut, low sheen A	+\$0	0	0	0	0
967	smoked paldao, low sheen A	+\$1227	1552	1804	1877	2012
969	warm paldao, low sheen A	+\$1227	1552	1804	1877	2012
977	chocolate ash, low sheen A	+\$0	0	0	0	0
978	natural oak A	+\$0	0	0	0	0
981	champagne hickory (natural) A	+\$0	0	0	0	0
98R	recograin rosewood A	+\$0	0	0	0	0
991	champagne ash A	+\$0	0	0	0	0
998	ebony ash A	+\$0	0	0	0	0
99A	recograin frosty ash A	+\$0	0	0	0	0
99R	recograin rosewood A	+\$0	0	0	0	0
99T	recograin teak A	+\$0	0	0	0	0
9A1	white ash, quarter cut, low sheen A	+\$0	0	0	0	0
9K1	rift oak, rift cut, low sheen A	+\$0	0	0	0	0
9K6	burnt oak, rift cut, low sheen A	+\$0	0	0	0	0
ED	aged cherry A	+\$0	0	0	0	0

H-Frame Credenza Four Units

Wide *continued*

HermanMiller Collection—Storage

EK	medium red walnut A	+\$0	0	0	0	0
G2U	light brown walnut, low sheen A	+\$0	0	0	0	0
G40	dark brown walnut, low sheen A	+\$0	0	0	0	0
UX	walnut on cherry A	+\$0	0	0	0	0
-----CFCFCFCF -CHCHCHCH						
931	champagne anigre (natural) A					+\$2403
932	sundance anigre A					+\$2403
933	caramel anigre A					+\$2403
934	henna anigre A					+\$2403
941	natural beech A					+\$0
942	sundance cherry (natural) A					+\$0
943	caramel cherry A					+\$0
946	cocoa cherry A					+\$0
951	natural anigre A					+\$5225
956	cocoa sapele A					+\$0
962	toasted walnut, low sheen A					+\$0
963	charred walnut, low sheen A					+\$0
964	bronzed walnut, low sheen A					+\$0
965	smoked walnut, low sheen A					+\$0
966	coffee walnut, low sheen A					+\$0
967	smoked paldao, low sheen A					+\$1960
969	warm paldao, low sheen A					+\$1960
977	chocolate ash, low sheen A					+\$0
978	natural oak A					+\$0
981	champagne hickory (natural) A					+\$0
98R	recograin rosewood A					+\$0
991	champagne ash A					+\$0
998	ebony ash A					+\$0
99A	recograin frosty ash A					+\$0
99R	recograin rosewood A					+\$0
99T	recograin teak A					+\$0
9A1	white ash, quarter cut, low sheen A					+\$0
9K1	rift oak, rift cut, low sheen A					+\$0
9K6	burnt oak, rift cut, low sheen A					+\$0
ED	aged cherry A					+\$0
EK	medium red walnut A					+\$0
G2U	light brown walnut, low sheen A					+\$0
G40	dark brown walnut, low sheen A					+\$0
UX	walnut on cherry A					+\$0

Premium Veneer - Matte						
<i>For open shelf (C1), two doors (C2), two 15" file drawers (CF) AND one file drawer (CH)</i>						
		-C1C1C1C1	-C1C1C2C2	-C1C1CGC2	-C1CGCFC2	-C2C2C2C2
662	toasted walnut, matte sheen A	+\$0	0	0	0	0
663	charred walnut, matte sheen A	+\$0	0	0	0	0
664	bronzed walnut, matte sheen A	+\$0	0	0	0	0
665	smoked walnut, matte sheen A	+\$0	0	0	0	0
666	coffee walnut, matte sheen A	+\$0	0	0	0	0
667	smoked paldao, quarter cut, matte sheen A	+\$1227	1552	1804	1877	2012
669	warm paldao, quarter cut, matte sheen A	+\$1227	1552	1804	1877	2012
66A	recograin frosty ash A	+\$0	0	0	0	0
677	chocolate ash, matte sheen A	+\$0	0	0	0	0
678	natural oak A	+\$0	0	0	0	0
68R	recograin rosewood A	+\$0	0	0	0	0
69A	recograin frosty ash A	+\$0	0	0	0	0
69R	recograin rosewood A	+\$0	0	0	0	0
69T	recograin teak A	+\$0	0	0	0	0
6A1	white ash A	+\$0	0	0	0	0
6K1	rift oak A	+\$0	0	0	0	0
6K6	burnt oak A	+\$0	0	0	0	0
ET	clear on ash A	+\$0	0	0	0	0
EU	oak on ash A	+\$0	0	0	0	0
EV	walnut on ash A	+\$0	0	0	0	0
GOU	natural walnut, flat cut, matte sheen A	+\$0	0	0	0	0

H-Frame Credenza Four Units

Wide *continued*

		-CFCFCFCF	-CHCHCHCH
662	toasted walnut, matte sheen <input type="checkbox"/>		+\$0
663	charred walnut, matte sheen <input type="checkbox"/>		+\$0
664	bronzed walnut, matte sheen <input type="checkbox"/>		+\$0
665	smoked walnut, matte sheen <input type="checkbox"/>		+\$0
666	coffee walnut, matte sheen <input type="checkbox"/>		+\$0
667	smoked paldao, quarter cut, matte sheen <input type="checkbox"/>		+\$1960
669	warm paldao, quarter cut, matte sheen <input type="checkbox"/>		+\$1960
66A	recograin frosty ash <input type="checkbox"/>		+\$0
677	chocolate ash, matte sheen <input type="checkbox"/>		+\$0
678	natural oak <input type="checkbox"/>		+\$0
68R	recograin rosewood <input type="checkbox"/>		+\$0
69A	recograin frosty ash <input type="checkbox"/>		+\$0
69R	recograin rosewood <input type="checkbox"/>		+\$0
69T	recograin teak <input type="checkbox"/>		+\$0
6A1	white ash <input type="checkbox"/>		+\$0
6K1	rift oak <input type="checkbox"/>		+\$0
6K6	burnt oak <input type="checkbox"/>		+\$0
ET	clear on ash <input type="checkbox"/>		+\$0
EU	oak on ash <input type="checkbox"/>		+\$0
EV	walnut on ash <input type="checkbox"/>		+\$0
GOU	natural walnut, flat cut, matte sheen <input type="checkbox"/>		+\$0

RecoGrain Veneer

For open shelf (C1), two doors (C2), two 15" file drawers (CF) AND one file drawer (CH)

		-C1C1C1C1	-C1C1C2C2	-C1C1C6C2	-C1C6CFC2	-C2C2C2C2
66G	recograin wenge <input type="checkbox"/>	-\$409	-518	-602	-626	-671
68W	recograin walnut, flat cut, matte sheen <input type="checkbox"/>	-\$409	-518	-602	-626	-671
69G	recograin wenge <input type="checkbox"/>	-\$409	-518	-602	-626	-671
69K	recograin oak, quarter cut, matte sheen <input type="checkbox"/>	-\$409	-518	-602	-626	-671
69W	recograin walnut, quarter cut, matte sheen <input type="checkbox"/>	-\$409	-518	-602	-626	-671

		-CFCFCFCF	-CHCHCHCH
66G	recograin wenge <input type="checkbox"/>		-\$654
68W	recograin walnut, flat cut, matte sheen <input type="checkbox"/>		-\$654
69G	recograin wenge <input type="checkbox"/>		-\$654
69K	recograin oak, quarter cut, matte sheen <input type="checkbox"/>		-\$654
69W	recograin walnut, quarter cut, matte sheen <input type="checkbox"/>		-\$654

Recon Veneer -

For open shelf (C1), two doors (C2), two 15" file drawers (CF) AND one file drawer (CH)

		-C1C1C1C1	-C1C1C2C2	-C1C1C6C2	-C1C6CFC2	-C2C2C2C2
96G	wenge recograin, quarter cut, low sheen <input type="checkbox"/>	-\$409	-518	-602	-626	-671
98W	recograin walnut, flat cut, low sheen <input type="checkbox"/>	-\$409	-518	-602	-626	-671
99G	recograin wenge, quarter cut, low sheen <input type="checkbox"/>	-\$409	-518	-602	-626	-671
99K	recograin oak, quarter cut, low sheen <input type="checkbox"/>	-\$409	-518	-602	-626	-671
99W	recograin walnut, quarter cut, low sheen <input type="checkbox"/>	-\$409	-518	-602	-626	-671

		-CFCFCFCF	-CHCHCHCH
96G	wenge recograin, quarter cut, low sheen <input type="checkbox"/>		-\$654
98W	recograin walnut, flat cut, low sheen <input type="checkbox"/>		-\$654
99G	recograin wenge, quarter cut, low sheen <input type="checkbox"/>		-\$654
99K	recograin oak, quarter cut, low sheen <input type="checkbox"/>		-\$654
99W	recograin walnut, quarter cut, low sheen <input type="checkbox"/>		-\$654

H-Frame Credenza Four Units

Wide *continued*

Premium Veneer - Low Sheen

For open shelf (-C1) or one file drawer (-CH) with one file drawer (CH), or six box drawers (top two pencil trays) (CG) with two 15" file drawers (CF), or one file drawer (CH) with two doors (C2)

921	champagne beech, flat cut, low sheen A	+\$0
931	champagne anigre (natural) A	+\$2453
932	sundance anigre A	+\$2453
933	caramel anigre A	+\$2453
941	natural beech A	+\$0
942	sundance cherry (natural) A	+\$0
943	caramel cherry A	+\$0
946	cocoa cherry A	+\$0
951	natural anigre A	+\$5334
956	cocoa sapele A	+\$0
962	toasted walnut, low sheen A	+\$0
963	charred walnut, low sheen A	+\$0
964	bronzed walnut, low sheen A	+\$0
965	smoked walnut, low sheen A	+\$0
966	coffee walnut, low sheen A	+\$0
967	smoked paldao, low sheen A	+\$2001
969	warm paldao, low sheen A	+\$2001
977	chocolate ash, low sheen A	+\$0
978	natural oak A	+\$0
981	champagne hickory (natural) A	+\$0
98R	recograin rosewood A	+\$0
991	champagne ash A	+\$0
998	ebony ash A	+\$0
99A	recograin frosty ash A	+\$0
99R	recograin rosewood A	+\$0
99T	recograin teak A	+\$0
9A1	white ash, quarter cut, low sheen A	+\$0
9K1	rift oak, rift cut, low sheen A	+\$0
9K6	burnt oak, rift cut, low sheen A	+\$0
ED	aged cherry A	+\$0
EK	medium red walnut A	+\$0
G2U	light brown walnut, low sheen A	+\$0
G40	dark brown walnut, low sheen A	+\$0
UX	walnut on cherry A	+\$0

Premium Veneer - Matte

For open shelf (-C1) or one file drawer (-CH) with one file drawer (CH), or six box drawers (top two pencil trays) (CG) with two 15" file drawers (CF), or one file drawer (CH) with two doors (C2)

662	toasted walnut, matte sheen A	+\$0
663	charred walnut, matte sheen A	+\$0
664	bronzed walnut, matte sheen A	+\$0
665	smoked walnut, matte sheen A	+\$0
666	coffee walnut, matte sheen A	+\$0
667	smoked paldao, quarter cut, matte sheen A	+\$2001
669	warm paldao, quarter cut, matte sheen A	+\$2001
66A	recograin frosty ash A	+\$0
677	chocolate ash, matte sheen A	+\$0
678	natural oak A	+\$0
68R	recograin rosewood A	+\$0
69A	recograin frosty ash A	+\$0
69R	recograin rosewood A	+\$0
69T	recograin teak A	+\$0
6A1	white ash A	+\$0
6K1	rift oak A	+\$0
6K6	burnt oak A	+\$0
ET	clear on ash A	+\$0
EU	oak on ash A	+\$0
EV	walnut on ash A	+\$0
GOU	natural walnut, flat cut, matte sheen A	+\$0

RecoGrain Veneer

For open shelf (-C1) or one file drawer (-CH) with one file drawer (CH), or six box drawers (top two pencil trays) (CG) with two 15" file drawers (CF), or one file drawer (CH) with two doors (C2)

66G	recograin wenge A	-\$667
68W	recograin walnut, flat cut, matte sheen A	-\$667
69G	recograin wenge A	-\$667
69K	recograin oak, quarter cut, matte sheen A	-\$667
69W	recograin walnut, quarter cut, matte sheen A	-\$667

Recon Veneer -

For open shelf (-C1) or one file drawer (-CH) with one file drawer (CH), or six box drawers (top two pencil trays) (CG) with two 15" file drawers (CF), or one file drawer (CH) with two doors (C2)

96G	wenge recograin, quarter cut, low sheen A	-\$667
98W	recograin walnut, flat cut, low sheen A	-\$667
99G	recograin wenge, quarter cut, low sheen A	-\$667
99K	recograin oak, quarter cut, low sheen A	-\$667
99W	recograin walnut, quarter cut, low sheen A	-\$667

H-Frame Credenza Four Units

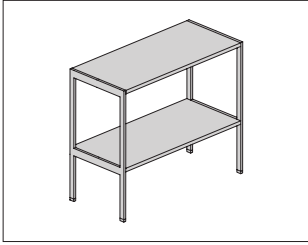
Wide *continued*

Step 8. Metal Finish

BNZ	bronze <input type="checkbox"/>	+\$0
CHR	chrome <input type="checkbox"/>	+\$0
SAC	satin chrome <input type="checkbox"/>	+\$0

H-Frame Credenza Stone Top

JCH1S
JCH2S
JCH3S
JCH4S



Product Information

Description

This one-unit wide H-frame credenza has a stone top and includes 1/2"-thick metal frame gables on the ends. H-frame credenzas are modular and shipped partially assembled.

Notes

All hardware for assembly is included.

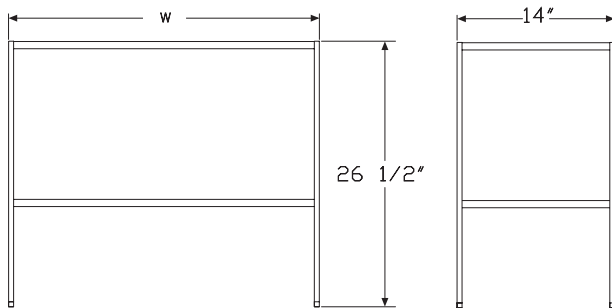
Drawer credenzas include wood boxes and self-closing hidden drawer slides.

CG six box drawer credenza includes pencil trays and felt lining in bottom of top two drawers.

When applicable, Ward Bennett Flip pulls come in matching metal finish.

Santos palisander veneer is celebrated for its unique grain and color variations. Similar products ordered in multiples or dissimilar products ordered separately should be expected to have variation in both grain and color characteristics; no two products will look exactly alike.

Dimensions



Specification Information

Step 1.

JCH A

Step 2. Size and Configuration

1S-1431-C1 14" deep x 31" wide x 26 1/2" high, 1 unit, open A

2S-1462-C1C1 14" deep x 61 1/2" wide x 26 1/2" high, 2 units, open A

3S-1492-C1C1C1 14" deep x 92" wide x 26 1/2" high, 3 units, open A

4S-14123-C1C1C1C1 14" deep x 122 1/2" wide x 26 1/2" high, 4 units, open A

Prices for Steps 1-2.

JCH1S-1431-C1	\$3465
JCH2S-1462-C1C1	\$6315
JCH3S-1492-C1C1C1	\$8852
JCH4S-14123-C1C1C1C1	\$11607

Step 3. Stone or Marble Top

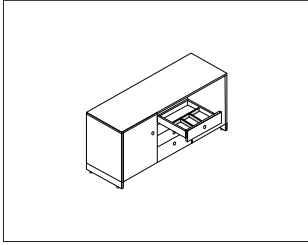
200 perfato marble <input type="checkbox"/> A	+\$0
250 verde antique marble <input type="checkbox"/> A	+\$0
400 black granite <input type="checkbox"/> A	+\$0
5U georgia grey marble <input type="checkbox"/> A	+\$0
800 autumn brown granite <input type="checkbox"/> A	+\$0
960 white carrara marble <input type="checkbox"/> A	+\$0
HR wisconsin black marble <input type="checkbox"/> A	+\$0

Step 4. Metal Finish

BNZ bronze <input type="checkbox"/> A	+\$0
CHR chrome <input type="checkbox"/> A	+\$0
SAC satin chrome <input type="checkbox"/> A	+\$0

Silverware Drawer Insert

JA

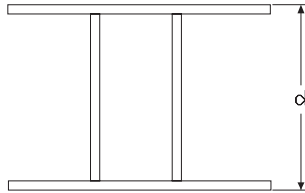
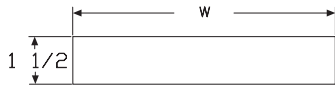


Product Information

Description

This drawer insert is for use with H-frame, sled, and mobile credenzas, in top box drawers. The bottom of top box drawer and silverware insert are covered with fabric.

Dimensions



Specification Information

Step 1.

JA A \$344

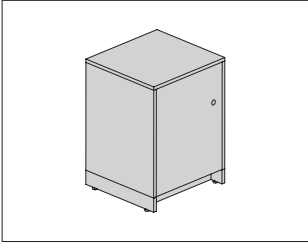
Step 2. Configuration

H1-712 for use with H-frame credenza A +\$0

S1-1015 for use with sled base or mobile credenza A +\$0

Sled Base Pedestal

JCS1-



HermanMiller Collection—Storage

Product Information

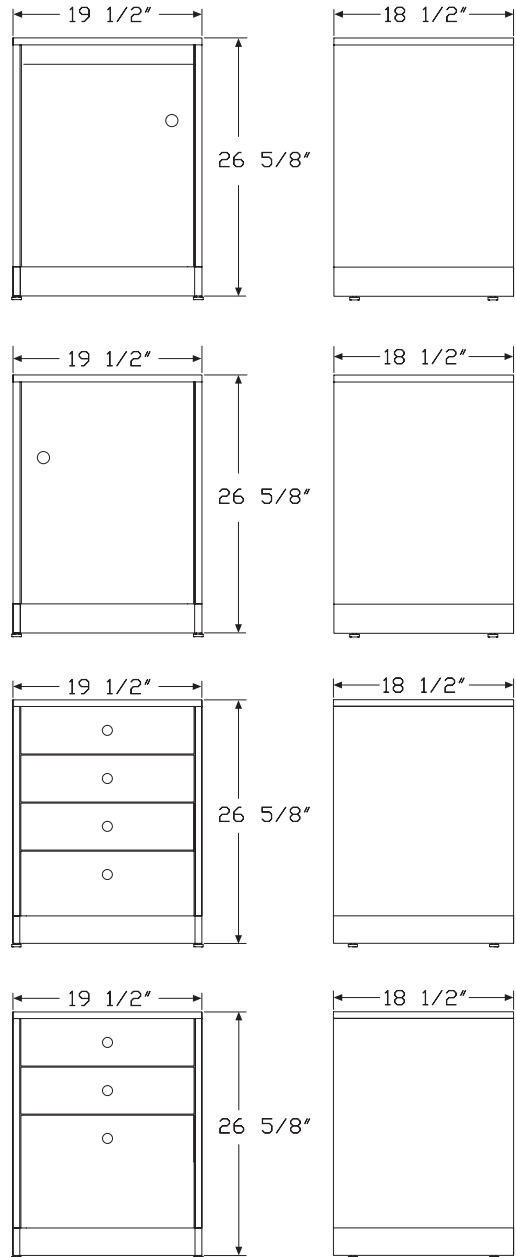
Description

This one-unit wide sled base credenza has a wood top and includes 3"-high metal base on the 3/4"-thick credenza gable. Storage unit is 18"-wide. Ward Bennett Flip pulls come in matching metal finish.

Notes

Sled base credenzas ship assembled.
 Drawer credenzas include wood boxes and self-closing hidden drawer slides. Pencil tray and felt lining in bottom of drawer also included.
 Santos palisander veneer is celebrated for its unique grain and color variations. Similar products ordered in multiples or dissimilar products ordered separately should be expected to have variation in both grain and color characteristics; no two products will look exactly alike.

Dimensions



Sled Base Pedestal *continued*

Specification Information

Step 1.

JCS1

Step 2. Size

-1920 18¹/₂" deep x 19¹/₂" wide x 26⁵/₈" high

Step 3. Configuration

-B2L single door, hinged left

-B2R single door, hinged right

-B3 four box drawer

-B4 box, box, file

Prices for Steps 1-3.

JCS1-1920	-B2L	\$3355
	-B2R	\$3355
	-B3	\$4401
	-B4	\$4000

Step 4. Wood Finish

Premium Veneer - Low Sheen

		-B2L	-B2R	-B3	-B4
931	champagne anigre (natural) <input type="checkbox"/>	+\$596	596	782	711
932	sundance anigre <input type="checkbox"/>	+\$596	596	782	711
933	caramel anigre <input type="checkbox"/>	+\$596	596	782	711
934	henna anigre <input type="checkbox"/>	+\$596	596	782	711
941	natural beech <input type="checkbox"/>	+\$0	0	0	0
942	sundance cherry (natural) <input type="checkbox"/>	+\$0	0	0	0
943	caramel cherry <input type="checkbox"/>	+\$0	0	0	0
946	cocoa cherry <input type="checkbox"/>	+\$0	0	0	0
951	natural anigre <input type="checkbox"/>	+\$1303	1303	1709	1554
956	cocoa sapele <input type="checkbox"/>	+\$0	0	0	0
962	toasted walnut, low sheen <input type="checkbox"/>	+\$0	0	0	0
963	charred walnut, low sheen <input type="checkbox"/>	+\$0	0	0	0
964	bronzed walnut, low sheen <input type="checkbox"/>	+\$0	0	0	0
965	smoked walnut, low sheen <input type="checkbox"/>	+\$0	0	0	0
966	coffee walnut, low sheen <input type="checkbox"/>	+\$0	0	0	0
967	smoked paldao, low sheen <input type="checkbox"/>	+\$489	489	641	583
969	warm paldao, low sheen <input type="checkbox"/>	+\$489	489	641	583

977	chocolate ash, low sheen <input type="checkbox"/>	+\$0	0	0	0
978	natural oak <input type="checkbox"/>	+\$0	0	0	0
981	champagne hickory (natural) <input type="checkbox"/>	+\$0	0	0	0
98R	recograin rosewood <input type="checkbox"/>	+\$0	0	0	0
991	champagne ash <input type="checkbox"/>	+\$0	0	0	0
998	ebony ash <input type="checkbox"/>	+\$0	0	0	0
99A	recograin frosty ash <input type="checkbox"/>	+\$0	0	0	0
99R	recograin rosewood <input type="checkbox"/>	+\$0	0	0	0
99T	recograin teak <input type="checkbox"/>	+\$0	0	0	0
9A1	white ash, quarter cut, low sheen <input type="checkbox"/>	+\$0	0	0	0
9K1	rift oak, rift cut, low sheen <input type="checkbox"/>	+\$0	0	0	0
9K6	burnt oak, rift cut, low sheen <input type="checkbox"/>	+\$0	0	0	0
ED	aged cherry <input type="checkbox"/>	+\$0	0	0	0
EK	medium red walnut <input type="checkbox"/>	+\$0	0	0	0
G2U	light brown walnut, low sheen <input type="checkbox"/>	+\$0	0	0	0
G40	dark brown walnut, low sheen <input type="checkbox"/>	+\$0	0	0	0
UX	walnut on cherry <input type="checkbox"/>	+\$0	0	0	0

Sled Base Pedestal *continued*

Premium Veneer - Matte		-B2L	-B2R	-B3	-B4
662	toasted walnut, matte sheen A	+\$0	0	0	0
663	charred walnut, matte sheen A	+\$0	0	0	0
664	bronzed walnut, matte sheen A	+\$0	0	0	0
665	smoked walnut, matte sheen A	+\$0	0	0	0
666	coffee walnut, matte sheen A	+\$0	0	0	0
667	smoked paldao, quarter cut, matte sheen A	+\$489	489	641	583
669	warm paldao, quarter cut, matte sheen A	+\$489	489	641	583
66A	recograin frosty ash A	+\$0	0	0	0
677	chocolate ash, matte sheen A	+\$0	0	0	0
678	natural oak A	+\$0	0	0	0
68R	recograin rosewood A	+\$0	0	0	0
69A	recograin frosty ash A	+\$0	0	0	0
69R	recograin rosewood A	+\$0	0	0	0
69T	recograin teak A	+\$0	0	0	0
6A1	white ash A	+\$0	0	0	0
6K1	rift oak A	+\$0	0	0	0
6K6	burnt oak A	+\$0	0	0	0
ET	clear on ash A	+\$0	0	0	0
EU	oak on ash A	+\$0	0	0	0
EV	walnut on ash A	+\$0	0	0	0
GOU	natural walnut, flat cut, matte sheen A	+\$0	0	0	0

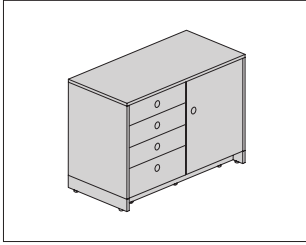
RecoGrain Veneer		-B2L	-B2R	-B3	-B4
66G	recograin wenge A	-\$163	-163	-214	-195
68W	recograin walnut, flat cut, matte sheen A	-\$163	-163	-214	-195
69G	recograin wenge A	-\$163	-163	-214	-195
69K	recograin oak, quarter cut, matte sheen A	-\$163	-163	-214	-195
69W	recograin walnut, quarter cut, matte sheen A	-\$163	-163	-214	-195

Recon Veneer -		-B2L	-B2R	-B3	-B4
96G	wenge recograin, quarter cut, low sheen A	-\$163	-163	-214	-195
98W	recograin walnut, flat cut, low sheen A	-\$163	-163	-214	-195
99G	recograin wenge, quarter cut, low sheen A	-\$163	-163	-214	-195
99K	recograin oak, quarter cut, low sheen A	-\$163	-163	-214	-195
99W	recograin walnut, quarter cut, low sheen A	-\$163	-163	-214	-195

Step 5. Metal Finish			
BNZ	bronze A		+\$0
CHR	chrome A		+\$0
SAC	satin chrome A		+\$0

Sled Base Credenza Two Units Wide

JCS2-Wide



Product Information

Description

This two-unit wide sled base credenza has a wood top and includes 3"-high metal base on the 3/4"-thick credenza gable. Storage unit is 18"-wide. Ward Bennett Flip pulls come in matching metal finish.

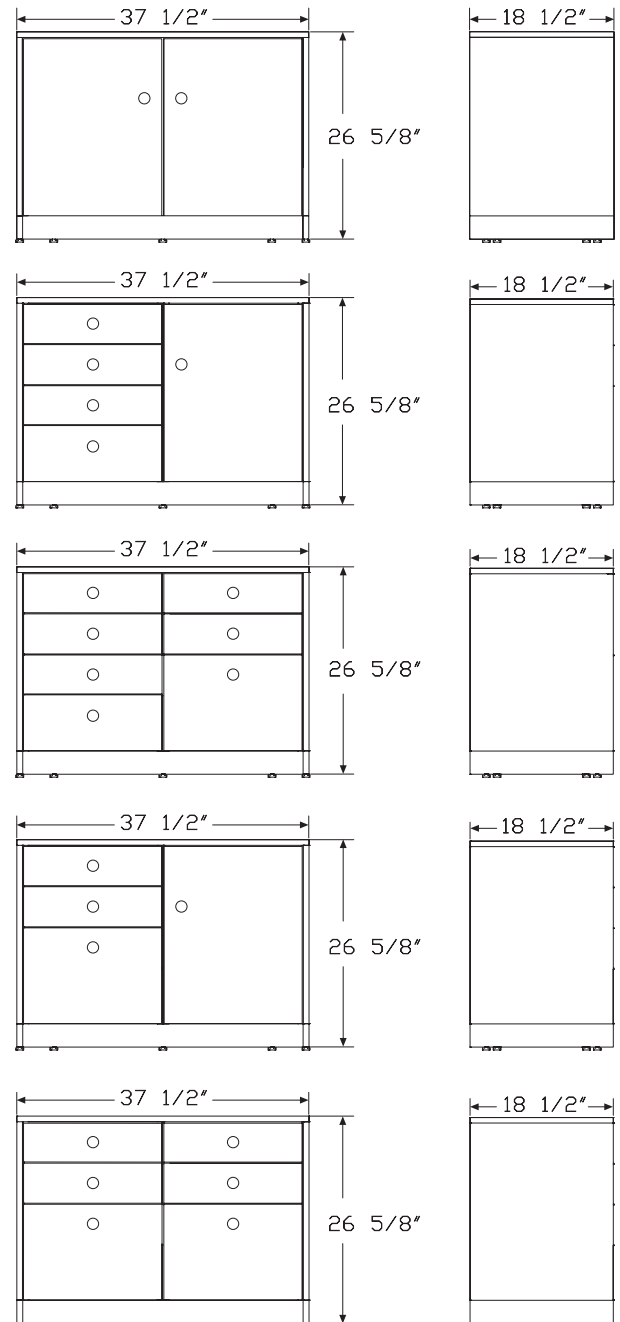
Notes

Sled base credenzas ship assembled.

Drawer credenzas include wood boxes and self-closing hidden drawer slides. Pencil tray and felt lining in bottom of drawer also included.

Santos palisander veneer is celebrated for its unique grain and color variations. Similar products ordered in multiples or dissimilar products ordered separately should be expected to have variation in both grain and color characteristics; no two products will look exactly alike.

Dimensions



Sled Base Credenza Two Units

Wide *continued*

Specification Information

Step 1.

JCS2 A

Step 2. Size

-1938 18¹/₂" deep x 37¹/₂" wide x 26⁵/₈" high A

Step 3. Configuration

- B2B2** two doors A
- B3B2** four drawers left, single door right A
- B3B4** four drawers left, BBF right A
- B4B2** BBF left, single door right A
- B4B4** BBF left, BBF right A

Prices for Steps 1-3.

JCS2-1938	-B2B2	\$5460
	-B3B2	\$6424
	-B3B4	\$7070
	-B4B2	\$6025
	-B4B4	\$6670

Step 4. Wood Finish

Premium Veneer - Low Sheen

		-B2B2	-B3B2	-B3B4	-B4B2	-B4B4
931	champagne anigre (natural) A	+\$956	1142	1256	1071	1185
932	sundance anigre A	+\$956	1142	1256	1071	1185
933	caramel anigre A	+\$956	1142	1256	1071	1185
934	henna anigre A	+\$956	1142	1256	1071	1185
941	natural beech A	+\$0	0	0	0	0
942	sundance cherry (natural) A	+\$0	0	0	0	0
943	caramel cherry A	+\$0	0	0	0	0
946	cocoa cherry A	+\$0	0	0	0	0
951	natural anigre A	+\$2089	2495	2746	2340	2590
956	cocoa sapele A	+\$0	0	0	0	0
962	toasted walnut, low sheen A	+\$0	0	0	0	0
963	charred walnut, low sheen A	+\$0	0	0	0	0
964	bronzed walnut, low sheen A	+\$0	0	0	0	0
965	smoked walnut, low sheen A	+\$0	0	0	0	0

966	coffee walnut, low sheen A	+\$0	0	0	0	0
967	smoked paldao, low sheen A	+\$784	936	1030	878	972
969	warm paldao, low sheen A	+\$784	936	1030	878	972
977	chocolate ash, low sheen A	+\$0	0	0	0	0
978	natural oak A	+\$0	0	0	0	0
981	champagne hickory (natural) A	+\$0	0	0	0	0
98R	recograin rosewood A	+\$0	0	0	0	0
991	champagne ash A	+\$0	0	0	0	0
998	ebony ash A	+\$0	0	0	0	0
99A	recograin frosty ash A	+\$0	0	0	0	0
99R	recograin rosewood A	+\$0	0	0	0	0
99T	recograin teak A	+\$0	0	0	0	0
9A1	white ash, quarter cut, low sheen A	+\$0	0	0	0	0
9K1	rift oak, rift cut, low sheen A	+\$0	0	0	0	0
9K6	burnt oak, rift cut, low sheen A	+\$0	0	0	0	0
ED	aged cherry A	+\$0	0	0	0	0
EK	medium red walnut A	+\$0	0	0	0	0
G2U	light brown walnut, low sheen A	+\$0	0	0	0	0
G40	dark brown walnut, low sheen A	+\$0	0	0	0	0
UX	walnut on cherry A	+\$0	0	0	0	0

Sled Base Credenza Two Units

Wide *continued*

Premium Veneer - Matte

		-B2B2	-B3B2	-B3B4	-B4B2	-B4B4
662	toasted walnut, matte sheen A	+\$0	0	0	0	0
663	charred walnut, matte sheen A	+\$0	0	0	0	0
664	bronzed walnut, matte sheen A	+\$0	0	0	0	0
665	smoked walnut, matte sheen A	+\$0	0	0	0	0
666	coffee walnut, matte sheen A	+\$0	0	0	0	0
667	smoked paldao, quarter cut, matte sheen A	+\$784	936	1030	878	972
669	warm paldao, quarter cut, matte sheen A	+\$784	936	1030	878	972
66A	recograin frosty ash A	+\$0	0	0	0	0
677	chocolate ash, matte sheen A	+\$0	0	0	0	0
678	natural oak A	+\$0	0	0	0	0
68R	recograin rosewood A	+\$0	0	0	0	0
69A	recograin frosty ash A	+\$0	0	0	0	0
69R	recograin rosewood A	+\$0	0	0	0	0
69T	recograin teak A	+\$0	0	0	0	0
6A1	white ash A	+\$0	0	0	0	0
6K1	rift oak A	+\$0	0	0	0	0
6K6	burnt oak A	+\$0	0	0	0	0
ET	clear on ash A	+\$0	0	0	0	0
EU	oak on ash A	+\$0	0	0	0	0
EV	walnut on ash A	+\$0	0	0	0	0
GOU	natural walnut, flat cut, matte sheen A	+\$0	0	0	0	0

RecoGrain Veneer

		-B2B2	-B3B2	-B3B4	-B4B2	-B4B4
66G	recograin wenge A	-\$262	-312	-344	-293	-324
68W	recograin walnut, flat cut, matte sheen A	-\$262	-312	-344	-293	-324
69G	recograin wenge A	-\$262	-312	-344	-293	-324
69K	recograin oak, quarter cut, matte sheen A	-\$262	-312	-344	-293	-324
69W	recograin walnut, quarter cut, matte sheen A	-\$262	-312	-344	-293	-324

Recon Veneer -

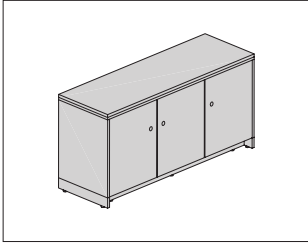
		-B2B2	-B3B2	-B3B4	-B4B2	-B4B4
96G	wenge recograin, quarter cut, low sheen A	-\$262	-312	-344	-293	-324
98W	recograin walnut, flat cut, low sheen A	-\$262	-312	-344	-293	-324
99G	recograin wenge, quarter cut, low sheen A	-\$262	-312	-344	-293	-324
99K	recograin oak, quarter cut, low sheen A	-\$262	-312	-344	-293	-324
99W	recograin walnut, quarter cut, low sheen A	-\$262	-312	-344	-293	-324

Step 5. Metal Finish

BNZ	bronze A					+\$0
CHR	chrome A					+\$0
SAC	satin chrome A					+\$0

Sled Base Credenza Three Units Wide

JCS3-Wide



HermanMiller Collection—Storage

Product Information

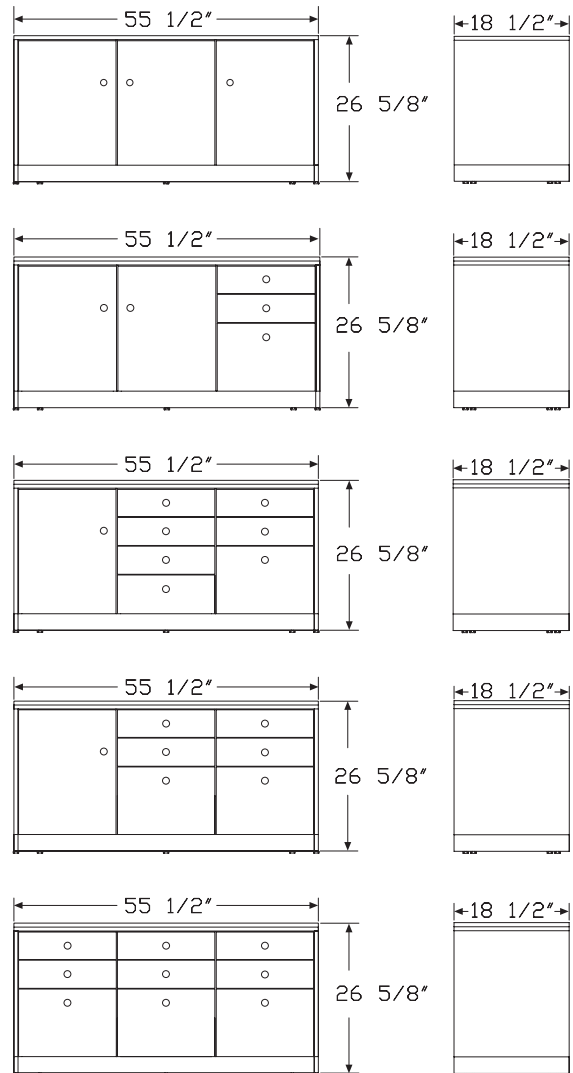
Description

This three-unit wide sled base credenza has a wood top and includes 3"-high metal base on the 3/4"-thick credenza gable. Storage unit is 18"-wide. Ward Bennett Flip pulls come in matching metal finish.

Notes

Sled base credenzas ship assembled.
 Drawer credenzas include wood boxes and self-closing hidden drawer slides. Pencil tray and felt lining in bottom of drawer also included.
 Santos palisander veneer is celebrated for its unique grain and color variations. Similar products ordered in multiples or dissimilar products ordered separately should be expected to have variation in both grain and color characteristics; no two products will look exactly alike.

Dimensions



Sled Base Credenza Three Units

Wide *continued*

Specification Information

Step 1.

JCS3

Step 2. Size

-1956 18¹/₂" deep x 55¹/₂" wide x 26⁵/₈" high

Step 3. Configuration

- B2B2B2 three single doors
- B2B2B4 single door left, single door center, BBF right
- B2B3B4 single door left, 4 box center, BBF right
- B2B4B4 single door left, BBF center, BBF right
- B4B4B4 BBF left, BBF center, BBF right

Prices for Steps 1-3.

JCS3-1956	-B2B2B2	\$7456
	-B2B2B4	\$8101
	-B2B3B4	\$9146
	-B2B4B4	\$8745
	-B4B4B4	\$9391

Step 4. Wood Finish

Premium Veneer - Low Sheen

		-B2B2B2	-B2B2B4	-B2B3B4	-B2B4B4	-B4B4B4
931	champagne anigre (natural) <input type="checkbox"/>	+\$1325	1440	1626	1554	1669
932	sundance anigre <input type="checkbox"/>	+\$1325	1440	1626	1554	1669
933	caramel anigre <input type="checkbox"/>	+\$1325	1440	1626	1554	1669
934	henna anigre <input type="checkbox"/>	+\$1325	1440	1626	1554	1669
941	natural beech <input type="checkbox"/>	+\$0	0	0	0	0
942	sundance cherry (natural) <input type="checkbox"/>	+\$0	0	0	0	0
943	caramel cherry <input type="checkbox"/>	+\$0	0	0	0	0
946	cocoa cherry <input type="checkbox"/>	+\$0	0	0	0	0
951	natural anigre <input type="checkbox"/>	+\$2896	3147	3552	3397	3647
956	cocoa sapele <input type="checkbox"/>	+\$0	0	0	0	0
962	toasted walnut, low sheen <input type="checkbox"/>	+\$0	0	0	0	0
963	charred walnut, low sheen <input type="checkbox"/>	+\$0	0	0	0	0
964	bronzed walnut, low sheen <input type="checkbox"/>	+\$0	0	0	0	0
965	smoked walnut, low sheen <input type="checkbox"/>	+\$0	0	0	0	0

966	coffee walnut, low sheen <input type="checkbox"/>	+\$0	0	0	0	0
967	smoked paldao, low sheen <input type="checkbox"/>	+\$1086	1180	1332	1274	1368
969	warm paldao, low sheen <input type="checkbox"/>	+\$1086	1180	1332	1274	1368
977	chocolate ash, low sheen <input type="checkbox"/>	+\$0	0	0	0	0
978	natural oak <input type="checkbox"/>	+\$0	0	0	0	0
981	champagne hickory (natural) <input type="checkbox"/>	+\$0	0	0	0	0
98R	recograin rosewood <input type="checkbox"/>	+\$0	0	0	0	0
991	champagne ash <input type="checkbox"/>	+\$0	0	0	0	0
998	ebony ash <input type="checkbox"/>	+\$0	0	0	0	0
99A	recograin frosty ash <input type="checkbox"/>	+\$0	0	0	0	0
99R	recograin rosewood <input type="checkbox"/>	+\$0	0	0	0	0
99T	recograin teak <input type="checkbox"/>	+\$0	0	0	0	0
9A1	white ash, quarter cut, low sheen <input type="checkbox"/>	+\$0	0	0	0	0
9K1	rift oak, rift cut, low sheen <input type="checkbox"/>	+\$0	0	0	0	0
9K6	burnt oak, rift cut, low sheen <input type="checkbox"/>	+\$0	0	0	0	0
ED	aged cherry <input type="checkbox"/>	+\$0	0	0	0	0
EK	medium red walnut <input type="checkbox"/>	+\$0	0	0	0	0
G2U	light brown walnut, low sheen <input type="checkbox"/>	+\$0	0	0	0	0
G40	dark brown walnut, low sheen <input type="checkbox"/>	+\$0	0	0	0	0
UX	walnut on cherry <input type="checkbox"/>	+\$0	0	0	0	0

Sled Base Credenza Three Units

Wide *continued*

HermanMiller Collection—Storage

Premium Veneer - Matte		-B2B2B2	-B2B2B4	-B2B3B4	-B2B4B4	-B4B4B4
662	toasted walnut, matte sheen A	+\$0	0	0	0	0
663	charred walnut, matte sheen A	+\$0	0	0	0	0
664	bronzed walnut, matte sheen A	+\$0	0	0	0	0
665	smoked walnut, matte sheen A	+\$0	0	0	0	0
666	coffee walnut, matte sheen A	+\$0	0	0	0	0
667	smoked paldao, quarter cut, matte sheen A	+\$1086	1180	1332	1274	1368
669	warm paldao, quarter cut, matte sheen A	+\$1086	1180	1332	1274	1368
66A	recograin frosty ash A	+\$0	0	0	0	0
677	chocolate ash, matte sheen A	+\$0	0	0	0	0
678	natural oak A	+\$0	0	0	0	0
68R	recograin rosewood A	+\$0	0	0	0	0
69A	recograin frosty ash A	+\$0	0	0	0	0
69R	recograin rosewood A	+\$0	0	0	0	0
69T	recograin teak A	+\$0	0	0	0	0
6A1	white ash A	+\$0	0	0	0	0
6K1	rift oak A	+\$0	0	0	0	0
6K6	burnt oak A	+\$0	0	0	0	0
ET	clear on ash A	+\$0	0	0	0	0
EU	oak on ash A	+\$0	0	0	0	0
EV	walnut on ash A	+\$0	0	0	0	0
GOU	natural walnut, flat cut, matte sheen A	+\$0	0	0	0	0

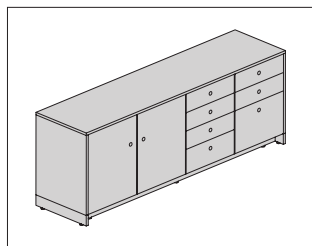
RecoGrain Veneer		-B2B2B2	-B2B2B4	-B2B3B4	-B2B4B4	-B4B4B4
66G	recograin wenge A	-\$362	-394	-444	-425	-456
68W	recograin walnut, flat cut, matte sheen A	-\$362	-394	-444	-425	-456
69G	recograin wenge A	-\$362	-394	-444	-425	-456
69K	recograin oak, quarter cut, matte sheen A	-\$362	-394	-444	-425	-456
69W	recograin walnut, quarter cut, matte sheen A	-\$362	-394	-444	-425	-456

Recon Veneer -		-B2B2B2	-B2B2B4	-B2B3B4	-B2B4B4	-B4B4B4
96G	wenge recograin, quarter cut, low sheen A	-\$362	-394	-444	-425	-456
98W	recograin walnut, flat cut, low sheen A	-\$362	-394	-444	-425	-456
99G	recograin wenge, quarter cut, low sheen A	-\$362	-394	-444	-425	-456
99K	recograin oak, quarter cut, low sheen A	-\$362	-394	-444	-425	-456
99W	recograin walnut, quarter cut, low sheen A	-\$362	-394	-444	-425	-456

Step 5. Metal Finish		
BNZ	bronze A	+\$0
CHR	chrome A	+\$0
SAC	satin chrome A	+\$0

Sled Base Credenza Four Units Wide

JCS4-



Product Information

Description

This four-unit wide sled base credenza has a wood top and includes 3"-high metal base on the 3/4"-thick credenza gable. Storage unit is 18"-wide. Ward Bennett Flip pulls come in matching metal finish.

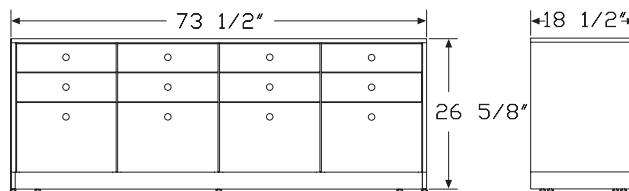
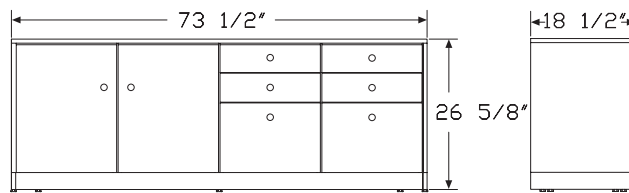
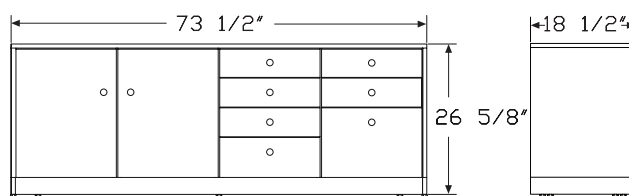
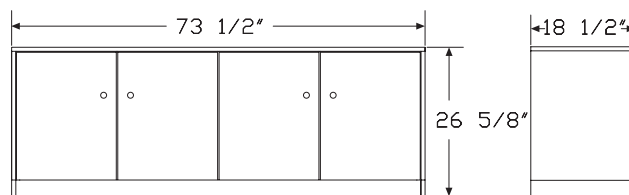
Notes

Sled base credenzas ship assembled.

Drawer credenzas include wood boxes and self-closing hidden drawer slides. Pencil tray and felt lining in bottom of drawer also included.

Santos palisander veneer is celebrated for its unique grain and color variations. Similar products ordered in multiples or dissimilar products ordered separately should be expected to have variation in both grain and color characteristics; no two products will look exactly alike.

Dimensions



Herman Miller Collection—Storage

Sled Base Credenza Four Units Wide *continued*

Specification Information

Step 1.

JCS4

Step 2. Size

-1974 18½" deep x 73½" wide x 26⅝" high

Step 3. Configuration

-B2B2B2B2 four single doors

-B2B2B3B4 single door left, single door left center, four drawers right center, BBF right

-B2B2B4B4 single door left, single door left center, BBF right center, BBF right

-B4B4B4B4 four BBF

Prices for Steps 1-3.

JCS4-1974	-B2B2B2B2	\$9520
	-B2B2B3B4	\$11209
	-B2B2B4B4	\$10810
	-B4B4B4B4	\$12100

Step 4. Wood Finish

Premium Veneer - Low Sheen

For four single doors (-B2B2B2B2)

931	champagne anigre (natural) <input type="checkbox"/>	+\$1692
932	sundance anigre <input type="checkbox"/>	+\$1692
933	caramel anigre <input type="checkbox"/>	+\$1692
934	henna anigre <input type="checkbox"/>	+\$1692
941	natural beech <input type="checkbox"/>	+\$0
942	sundance cherry (natural) <input type="checkbox"/>	+\$0
943	caramel cherry <input type="checkbox"/>	+\$0
946	cocoa cherry <input type="checkbox"/>	+\$0
951	natural anigre <input type="checkbox"/>	+\$3698
956	cocoa sapele <input type="checkbox"/>	+\$0
962	toasted walnut, low sheen <input type="checkbox"/>	+\$0
963	charred walnut, low sheen <input type="checkbox"/>	+\$0
964	bronzed walnut, low sheen <input type="checkbox"/>	+\$0
965	smoked walnut, low sheen <input type="checkbox"/>	+\$0
966	coffee walnut, low sheen <input type="checkbox"/>	+\$0
967	smoked paldao, low sheen <input type="checkbox"/>	+\$1387
969	warm paldao, low sheen <input type="checkbox"/>	+\$1387
977	chocolate ash, low sheen <input type="checkbox"/>	+\$0
978	natural oak <input type="checkbox"/>	+\$0
981	champagne hickory (natural) <input type="checkbox"/>	+\$0
98R	recograin rosewood <input type="checkbox"/>	+\$0
991	champagne ash <input type="checkbox"/>	+\$0
998	ebony ash <input type="checkbox"/>	+\$0
99A	recograin frosty ash <input type="checkbox"/>	+\$0
99R	recograin rosewood <input type="checkbox"/>	+\$0
99T	recograin teak <input type="checkbox"/>	+\$0
9A1	white ash, quarter cut, low sheen <input type="checkbox"/>	+\$0
9K1	rift oak, rift cut, low sheen <input type="checkbox"/>	+\$0
9K6	burnt oak, rift cut, low sheen <input type="checkbox"/>	+\$0
ED	aged cherry <input type="checkbox"/>	+\$0
EK	medium red walnut <input type="checkbox"/>	+\$0
G2U	light brown walnut, low sheen <input type="checkbox"/>	+\$0
G40	dark brown walnut, low sheen <input type="checkbox"/>	+\$0
UX	walnut on cherry <input type="checkbox"/>	+\$0

Sled Base Credenza Four Units

Wide *continued*

Premium Veneer - Matte

For four single doors (-B2B2B2B2)

662	toasted walnut, matte sheen <input type="checkbox"/>	+\$0
663	charred walnut, matte sheen <input type="checkbox"/>	+\$0
664	bronzed walnut, matte sheen <input type="checkbox"/>	+\$0
665	smoked walnut, matte sheen <input type="checkbox"/>	+\$0
666	coffee walnut, matte sheen <input type="checkbox"/>	+\$0
667	smoked paldao, quarter cut, matte sheen <input type="checkbox"/>	+\$1387
669	warm paldao, quarter cut, matte sheen <input type="checkbox"/>	+\$1387
66A	recograin frosty ash <input type="checkbox"/>	+\$0
677	chocolate ash, matte sheen <input type="checkbox"/>	+\$0
678	natural oak <input type="checkbox"/>	+\$0
68R	recograin rosewood <input type="checkbox"/>	+\$0
69A	recograin frosty ash <input type="checkbox"/>	+\$0
69R	recograin rosewood <input type="checkbox"/>	+\$0
69T	recograin teak <input type="checkbox"/>	+\$0
6A1	white ash <input type="checkbox"/>	+\$0
6K1	rift oak <input type="checkbox"/>	+\$0
6K6	burnt oak <input type="checkbox"/>	+\$0
ET	clear on ash <input type="checkbox"/>	+\$0
EU	oak on ash <input type="checkbox"/>	+\$0
EV	walnut on ash <input type="checkbox"/>	+\$0
GOU	natural walnut, flat cut, matte sheen <input type="checkbox"/>	+\$0

RecoGrain Veneer

For four single doors (-B2B2B2B2)

66G	recograin wenge <input type="checkbox"/>	-\$463
68W	recograin walnut, flat cut, matte sheen <input type="checkbox"/>	-\$463
69G	recograin wenge <input type="checkbox"/>	-\$463
69K	recograin oak, quarter cut, matte sheen <input type="checkbox"/>	-\$463
69W	recograin walnut, quarter cut, matte sheen <input type="checkbox"/>	-\$463

Recon Veneer -

For four single doors (-B2B2B2B2)

96G	wenge recograin, quarter cut, low sheen <input type="checkbox"/>	-\$463
98W	recograin walnut, flat cut, low sheen <input type="checkbox"/>	-\$463
99G	recograin wenge, quarter cut, low sheen <input type="checkbox"/>	-\$463
99K	recograin oak, quarter cut, low sheen <input type="checkbox"/>	-\$463
99W	recograin walnut, quarter cut, low sheen <input type="checkbox"/>	-\$463

Premium Veneer - Low Sheen

For single door left, single door left center, four drawers right center, BBF right (-B2B2B3B4)

931	champagne anigre (natural) <input type="checkbox"/>	+\$1992
932	sundance anigre <input type="checkbox"/>	+\$1992
933	caramel anigre <input type="checkbox"/>	+\$1992
934	henna anigre <input type="checkbox"/>	+\$1992
941	natural beech <input type="checkbox"/>	+\$0
942	sundance cherry (natural) <input type="checkbox"/>	+\$0
943	caramel cherry <input type="checkbox"/>	+\$0
946	cocoa cherry <input type="checkbox"/>	+\$0
951	natural anigre <input type="checkbox"/>	+\$4354
956	cocoa sapele <input type="checkbox"/>	+\$0
962	toasted walnut, low sheen <input type="checkbox"/>	+\$0
963	charred walnut, low sheen <input type="checkbox"/>	+\$0
964	bronzed walnut, low sheen <input type="checkbox"/>	+\$0
965	smoked walnut, low sheen <input type="checkbox"/>	+\$0
966	coffee walnut, low sheen <input type="checkbox"/>	+\$0
967	smoked paldao, low sheen <input type="checkbox"/>	+\$1633
969	warm paldao, low sheen <input type="checkbox"/>	+\$1633
977	chocolate ash, low sheen <input type="checkbox"/>	+\$0
978	natural oak <input type="checkbox"/>	+\$0
981	champagne hickory (natural) <input type="checkbox"/>	+\$0
98R	recograin rosewood <input type="checkbox"/>	+\$0
991	champagne ash <input type="checkbox"/>	+\$0
998	ebony ash <input type="checkbox"/>	+\$0
99A	recograin frosty ash <input type="checkbox"/>	+\$0
99R	recograin rosewood <input type="checkbox"/>	+\$0
99T	recograin teak <input type="checkbox"/>	+\$0
9A1	white ash, quarter cut, low sheen <input type="checkbox"/>	+\$0
9K1	rift oak, rift cut, low sheen <input type="checkbox"/>	+\$0
9K6	burnt oak, rift cut, low sheen <input type="checkbox"/>	+\$0
ED	aged cherry <input type="checkbox"/>	+\$0
EK	medium red walnut <input type="checkbox"/>	+\$0
G2U	light brown walnut, low sheen <input type="checkbox"/>	+\$0
G40	dark brown walnut, low sheen <input type="checkbox"/>	+\$0
UX	walnut on cherry <input type="checkbox"/>	+\$0

Sled Base Credenza Four Units

Wide *continued*

Premium Veneer - Matte

For single door left, single door left center, four drawers right center, BBF right (-B2B2B3B4)

662	toasted walnut, matte sheen A	+\$0
663	charred walnut, matte sheen A	+\$0
664	bronzed walnut, matte sheen A	+\$0
665	smoked walnut, matte sheen A	+\$0
666	coffee walnut, matte sheen A	+\$0
667	smoked paldao, quarter cut, matte sheen A	+\$1633
669	warm paldao, quarter cut, matte sheen A	+\$1633
66A	recograin frosty ash A	+\$0
677	chocolate ash, matte sheen A	+\$0
678	natural oak A	+\$0
68R	recograin rosewood A	+\$0
69A	recograin frosty ash A	+\$0
69R	recograin rosewood A	+\$0
69T	recograin teak A	+\$0
6A1	white ash A	+\$0
6K1	rift oak A	+\$0
6K6	burnt oak A	+\$0
ET	clear on ash A	+\$0
EU	oak on ash A	+\$0
EV	walnut on ash A	+\$0
GOU	natural walnut, flat cut, matte sheen A	+\$0

RecoGrain Veneer

For single door left, single door left center, four drawers right center, BBF right (-B2B2B3B4)

66G	recograin wenge A	-\$545
68W	recograin walnut, flat cut, matte sheen A	-\$545
69G	recograin wenge A	-\$545
69K	recograin oak, quarter cut, matte sheen A	-\$545
69W	recograin walnut, quarter cut, matte sheen A	-\$545

Recon Veneer -

For single door left, single door left center, four drawers right center, BBF right (-B2B2B3B4)

96G	wenge recograin, quarter cut, low sheen A	-\$545
98W	recograin walnut, flat cut, low sheen A	-\$545
99G	recograin wenge, quarter cut, low sheen A	-\$545
99K	recograin oak, quarter cut, low sheen A	-\$545
99W	recograin walnut, quarter cut, low sheen A	-\$545

Premium Veneer - Low Sheen

For single door left, single door left center, BBF right center, BBF right (-B2B2B4B4)

931	champagne anigre (natural) A	+\$1921
932	sundance anigre A	+\$1921
933	caramel anigre A	+\$1921
934	henna anigre A	+\$1921
941	natural beech A	+\$0
942	sundance cherry (natural) A	+\$0
943	caramel cherry A	+\$0
946	cocoa cherry A	+\$0
951	natural anigre A	+\$4198
956	cocoa sapele A	+\$0
962	toasted walnut, low sheen A	+\$0
963	charred walnut, low sheen A	+\$0
964	bronzed walnut, low sheen A	+\$0
965	smoked walnut, low sheen A	+\$0
966	coffee walnut, low sheen A	+\$0
967	smoked paldao, low sheen A	+\$1575
969	warm paldao, low sheen A	+\$1575
977	chocolate ash, low sheen A	+\$0
978	natural oak A	+\$0
981	champagne hickory (natural) A	+\$0
98R	recograin rosewood A	+\$0
991	champagne ash A	+\$0
998	ebony ash A	+\$0
99A	recograin frosty ash A	+\$0
99R	recograin rosewood A	+\$0
99T	recograin teak A	+\$0
9A1	white ash, quarter cut, low sheen A	+\$0
9K1	rift oak, rift cut, low sheen A	+\$0
9K6	burnt oak, rift cut, low sheen A	+\$0
ED	aged cherry A	+\$0
EK	medium red walnut A	+\$0
G2U	light brown walnut, low sheen A	+\$0
G40	dark brown walnut, low sheen A	+\$0
UX	walnut on cherry A	+\$0

Sled Base Credenza Four Units

Wide *continued*

Premium Veneer - Matte

For single door left, single door left center, BBF right center, BBF right (-B2B2B4B4)

662	toasted walnut, matte sheen [A]	+\$0
663	charred walnut, matte sheen [A]	+\$0
664	bronzed walnut, matte sheen [A]	+\$0
665	smoked walnut, matte sheen [A]	+\$0
666	coffee walnut, matte sheen [A]	+\$0
667	smoked paldao, quarter cut, matte sheen [A]	+\$1575
669	warm paldao, quarter cut, matte sheen [A]	+\$0
66A	recograin frosty ash [A]	+\$0
677	chocolate ash, matte sheen [A]	+\$0
678	natural oak [A]	+\$0
68R	recograin rosewood [A]	+\$0
69A	recograin frosty ash [A]	+\$0
69R	recograin rosewood [A]	+\$0
69T	recograin teak [A]	+\$0
6A1	white ash [A]	+\$0
6K1	rift oak [A]	+\$0
6K6	burnt oak [A]	+\$0
ET	clear on ash [A]	+\$0
EU	oak on ash [A]	+\$0
EV	walnut on ash [A]	+\$0
GOU	natural walnut, flat cut, matte sheen [A]	+\$0

RecoGrain Veneer

For single door left, single door left center, BBF right center, BBF right (-B2B2B4B4)

66G	recograin wenge [A]	-\$525
68W	recograin walnut, flat cut, matte sheen [A]	-\$525
69G	recograin wenge [A]	-\$525
69K	recograin oak, quarter cut, matte sheen [A]	-\$525
69W	recograin walnut, quarter cut, matte sheen [A]	-\$525

Recon Veneer -

For single door left, single door left center, BBF right center, BBF right (-B2B2B4B4)

96G	wenge recograin, quarter cut, low sheen [A]	-\$525
98W	recograin walnut, flat cut, low sheen [A]	-\$525
99G	recograin wenge, quarter cut, low sheen [A]	-\$525
99K	recograin oak, quarter cut, low sheen [A]	-\$525
99W	recograin walnut, quarter cut, low sheen [A]	-\$525

Premium Veneer - Low Sheen

For four BBF (-B4B4B4B4)

931	champagne anigre (natural) [A]	+\$2151
932	sundance anigre [A]	+\$2151
933	caramel anigre [A]	+\$2151
934	henna anigre [A]	+\$2151
941	natural beech [A]	+\$0
942	sundance cherry (natural) [A]	+\$0
943	caramel cherry [A]	+\$0
946	cocoa cherry [A]	+\$0
951	natural anigre [A]	+\$4700
956	cocoa sapele [A]	+\$0
962	toasted walnut, low sheen [A]	+\$0
963	charred walnut, low sheen [A]	+\$0
964	bronzed walnut, low sheen [A]	+\$0
965	smoked walnut, low sheen [A]	+\$0
966	coffee walnut, low sheen [A]	+\$0
967	smoked paldao, low sheen [A]	+\$1763
969	warm paldao, low sheen [A]	+\$1763
977	chocolate ash, low sheen [A]	+\$0
978	natural oak [A]	+\$0
981	champagne hickory (natural) [A]	+\$0
98R	recograin rosewood [A]	+\$0
991	champagne ash [A]	+\$0
998	ebony ash [A]	+\$0
99A	recograin frosty ash [A]	+\$0
99R	recograin rosewood [A]	+\$0
99T	recograin teak [A]	+\$0
9A1	white ash, quarter cut, low sheen [A]	+\$0
9K1	rift oak, rift cut, low sheen [A]	+\$0
9K6	burnt oak, rift cut, low sheen [A]	+\$0
ED	aged cherry [A]	+\$0
EK	medium red walnut [A]	+\$0
G2U	light brown walnut, low sheen [A]	+\$0
G40	dark brown walnut, low sheen [A]	+\$0
UX	walnut on cherry [A]	+\$0

Sled Base Credenza Four Units

Wide *continued*

Premium Veneer - Matte

For four BBF (-B4B4B4B4)

662	toasted walnut, matte sheen <input type="checkbox"/>	+\$0
663	charred walnut, matte sheen <input type="checkbox"/>	+\$0
664	bronzed walnut, matte sheen <input type="checkbox"/>	+\$0
665	smoked walnut, matte sheen <input type="checkbox"/>	+\$0
666	coffee walnut, matte sheen <input type="checkbox"/>	+\$0
66A	recograin frosty ash <input type="checkbox"/>	+\$0
677	chocolate ash, matte sheen <input type="checkbox"/>	+\$0
678	natural oak <input type="checkbox"/>	+\$0
68R	recograin rosewood <input type="checkbox"/>	+\$0
69A	recograin frosty ash <input type="checkbox"/>	+\$0
69R	recograin rosewood <input type="checkbox"/>	+\$0
69T	recograin teak <input type="checkbox"/>	+\$0
6A1	white ash <input type="checkbox"/>	+\$0
6K1	rift oak <input type="checkbox"/>	+\$0
6K6	burnt oak <input type="checkbox"/>	+\$0
ET	clear on ash <input type="checkbox"/>	+\$0
EU	oak on ash <input type="checkbox"/>	+\$0
EV	walnut on ash <input type="checkbox"/>	+\$0
GOU	natural walnut, flat cut, matte sheen <input type="checkbox"/>	+\$0

RecoGrain Veneer

For four BBF (-B4B4B4B4)

66G	recograin wenge <input type="checkbox"/>	-\$588
68W	recograin walnut, flat cut, matte sheen <input type="checkbox"/>	-\$588
69G	recograin wenge <input type="checkbox"/>	-\$588
69K	recograin oak, quarter cut, matte sheen <input type="checkbox"/>	-\$588
69W	recograin walnut, quarter cut, matte sheen <input type="checkbox"/>	-\$588

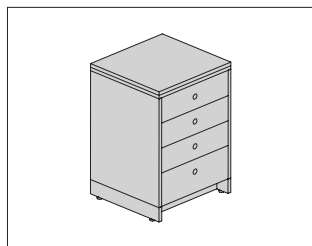
Recon Veneer -

For four BBF (-B4B4B4B4)

96G	wenge recograin, quarter cut, low sheen <input type="checkbox"/>	-\$588
98W	recograin walnut, flat cut, low sheen <input type="checkbox"/>	-\$588
99G	recograin wenge, quarter cut, low sheen <input type="checkbox"/>	-\$588
99K	recograin oak, quarter cut, low sheen <input type="checkbox"/>	-\$588
99W	recograin walnut, quarter cut, low sheen <input type="checkbox"/>	-\$588

Step 5. Metal Finish

BNZ	bronze <input type="checkbox"/>	+\$0
CHR	chrome <input type="checkbox"/>	+\$0
SAC	satin chrome <input type="checkbox"/>	+\$0



Product Information

Description

This one-unit wide sled base credenza has a stone top and includes 3"-high metal base on the 3/4"-thick credenza gable. Storage unit is 18"-wide. Ward Bennett Flip pulls come in matching metal finish.

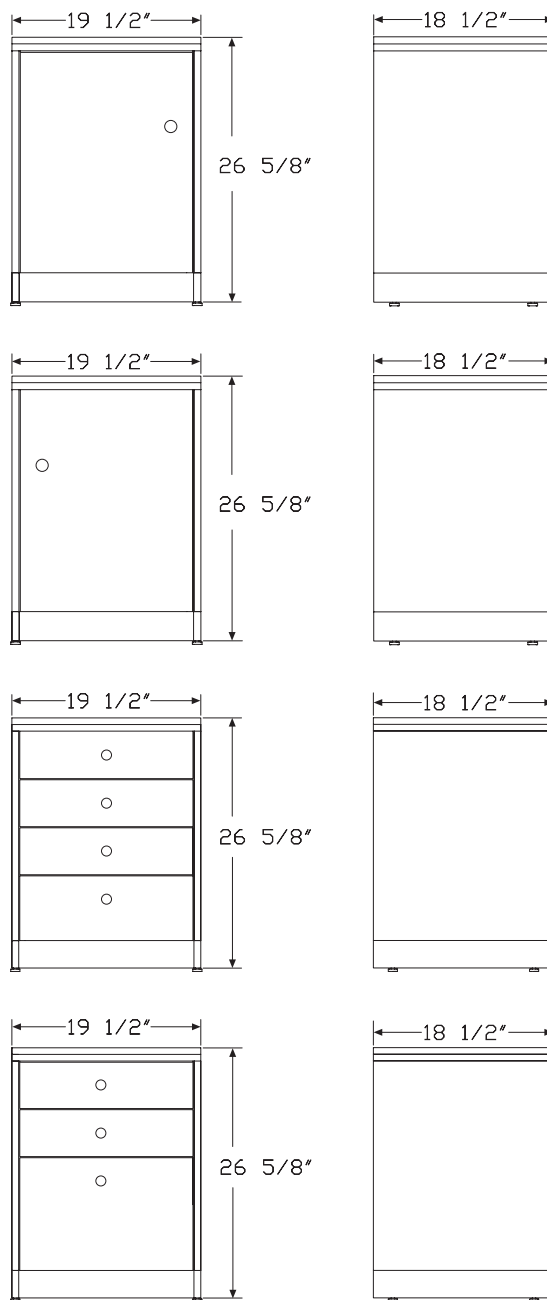
Notes

Sled base credenzas ship assembled.

Drawer credenzas include wood boxes and self-closing hidden drawer slides. Pencil tray and felt lining in bottom of drawer also included.

Santos palisander veneer is celebrated for its unique grain and color variations. Similar products ordered in multiples or dissimilar products ordered separately should be expected to have variation in both grain and color characteristics; no two products will look exactly alike.

Dimensions



Sled Base Pedestal Stone Top

continued

HermanMiller Collection—Storage

Specification Information

Step 1.

JCS1S A

Step 2. Size

-1920 18¹/₂" deep x 19¹/₂" wide x 26⁵/₈" high A

Step 3. Configuration

-B2L single door, hinged left A

-B2R single door, hinged right A

-B3 four box drawer A

-B4 box, box, file A

Prices for Steps 1-3.

		-B2L	-B2R	-B3	-B4
JCS1S	-1920	\$4360	4360	5405	5005

Step 4. Wood Finish

Premium Veneer - Low Sheen

		-B2L	-B2R	-B3	-B4
931	champagne anigre (natural) A	+\$775	775	961	890
932	sundance anigre A	+\$775	775	961	890
933	caramel anigre A	+\$775	775	961	890
934	henna anigre A	+\$775	775	961	890
941	natural beech A	+\$0	0	0	0
942	sundance cherry (natural) A	+\$0	0	0	0
943	caramel cherry A	+\$0	0	0	0
946	cocoa cherry A	+\$0	0	0	0
951	natural anigre A	+\$1694	1694	2099	1944
956	cocoa sapele A	+\$0	0	0	0
962	toasted walnut, low sheen A	+\$0	0	0	0
963	charred walnut, low sheen A	+\$0	0	0	0
964	bronzed walnut, low sheen A	+\$0	0	0	0
965	smoked walnut, low sheen A	+\$0	0	0	0
966	coffee walnut, low sheen A	+\$0	0	0	0
967	smoked paldao, low sheen A	+\$635	635	788	729
969	warm paldao, low sheen A	+\$635	635	788	729
977	chocolate ash, low sheen A	+\$0	0	0	0
978	natural oak A	+\$0	0	0	0

981	champagne hickory (natural) A	+\$0	0	0	0
98R	recograin rosewood A	+\$0	0	0	0
991	champagne ash A	+\$0	0	0	0
998	ebony ash A	+\$0	0	0	0
99A	recograin frosty ash A	+\$0	0	0	0
99R	recograin rosewood A	+\$0	0	0	0
99T	recograin teak A	+\$0	0	0	0
9A1	white ash, quarter cut, low sheen A	+\$0	0	0	0
9K1	rift oak, rift cut, low sheen A	+\$0	0	0	0
9K6	burnt oak, rift cut, low sheen A	+\$0	0	0	0
ED	aged cherry A	+\$0	0	0	0
EK	medium red walnut A	+\$0	0	0	0
G2U	light brown walnut, low sheen A	+\$0	0	0	0
G40	dark brown walnut, low sheen A	+\$0	0	0	0
UX	walnut on cherry A	+\$0	0	0	0

Sled Base Pedestal Stone Top

continued

Premium Veneer - Matte		-B2L	-B2R	-B3	-B4
662	toasted walnut, matte sheen <input type="checkbox"/>	+\$0	0	0	0
663	charred walnut, matte sheen <input type="checkbox"/>	+\$0	0	0	0
664	bronzed walnut, matte sheen <input type="checkbox"/>	+\$0	0	0	0
665	smoked walnut, matte sheen <input type="checkbox"/>	+\$0	0	0	0
666	coffee walnut, matte sheen <input type="checkbox"/>	+\$0	0	0	0
667	smoked paldao, quarter cut, matte sheen <input type="checkbox"/>	+\$635	635	788	729
669	warm paldao, quarter cut, matte sheen <input type="checkbox"/>	+\$635	635	788	729
66A	recograin frosty ash <input type="checkbox"/>	+\$0	0	0	0
677	chocolate ash, matte sheen <input type="checkbox"/>	+\$0	0	0	0
678	natural oak <input type="checkbox"/>	+\$0	0	0	0
68R	recograin rosewood <input type="checkbox"/>	+\$0	0	0	0
69A	recograin frosty ash <input type="checkbox"/>	+\$0	0	0	0
69R	recograin rosewood <input type="checkbox"/>	+\$0	0	0	0
69T	recograin teak <input type="checkbox"/>	+\$0	0	0	0
6A1	white ash <input type="checkbox"/>	+\$0	0	0	0
6K1	rift oak <input type="checkbox"/>	+\$0	0	0	0
6K6	burnt oak <input type="checkbox"/>	+\$0	0	0	0
ET	clear on ash <input type="checkbox"/>	+\$0	0	0	0
EU	oak on ash <input type="checkbox"/>	+\$0	0	0	0
EV	walnut on ash <input type="checkbox"/>	+\$0	0	0	0
GOU	natural walnut, flat cut, matte sheen <input type="checkbox"/>	+\$0	0	0	0

RecoGrain Veneer		-B2L	-B2R	-B3	-B4
66G	recograin wenge <input type="checkbox"/>	-\$212	-212	-263	-243
68W	recograin walnut, flat cut, matte sheen <input type="checkbox"/>	-\$212	-212	-263	-243
69G	recograin wenge <input type="checkbox"/>	-\$212	-212	-263	-243
69K	recograin oak, quarter cut, matte sheen <input type="checkbox"/>	-\$212	-212	-263	-243
69W	recograin walnut, quarter cut, matte sheen <input type="checkbox"/>	-\$212	-212	-263	-243

Recon Veneer -		-B2L	-B2R	-B3	-B4
96G	wenge recograin, quarter cut, low sheen <input type="checkbox"/>	-\$212	-212	-263	-243
98W	recograin walnut, flat cut, low sheen <input type="checkbox"/>	-\$212	-212	-263	-243
99G	recograin wenge, quarter cut, low sheen <input type="checkbox"/>	-\$212	-212	-263	-243
99K	recograin oak, quarter cut, low sheen <input type="checkbox"/>	-\$212	-212	-263	-243
99W	recograin walnut, quarter cut, low sheen <input type="checkbox"/>	-\$212	-212	-263	-243

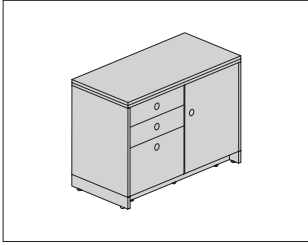
Step 5. Stone or Marble Top			
200	perfato marble <input type="checkbox"/>		+\$0
250	verde antique marble <input type="checkbox"/>		+\$0
400	black granite <input type="checkbox"/>		+\$0
5U	georgia grey marble <input type="checkbox"/>		+\$0
800	autumn brown granite <input type="checkbox"/>		+\$0
960	white carrara marble <input type="checkbox"/>		+\$0
HR	wisconsin black marble <input type="checkbox"/>		+\$0

Step 6. Metal Finish			
BNZ	bronze <input type="checkbox"/>		+\$0
CHR	chrome <input type="checkbox"/>		+\$0
SAC	satin chrome <input type="checkbox"/>		+\$0

HermanMiller Collection - Storage

Sled Base Credenza Two Units
Wide and Stone Top

JCS2S



HermanMiller Collection—Storage

Product Information

Description

This two-unit wide sled base credenza has a stone top and includes 3"-high metal base on the 3/4"-thick credenza gable. Storage unit is 18"-wide. Ward Bennett Flip pulls come in matching metal finish.

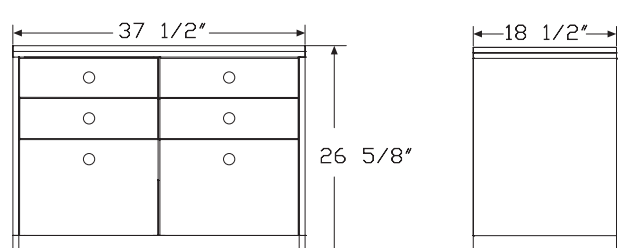
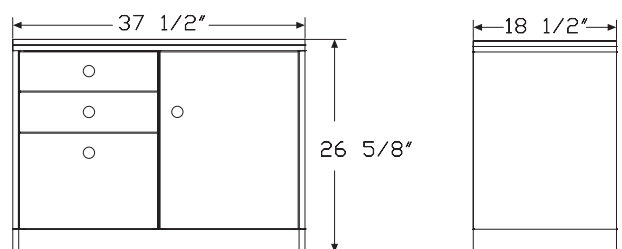
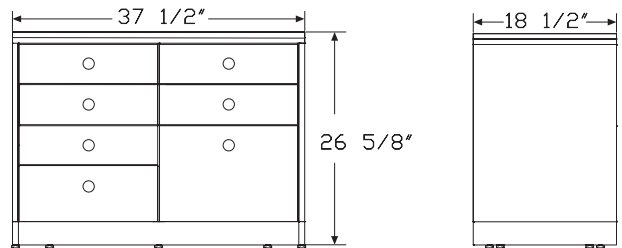
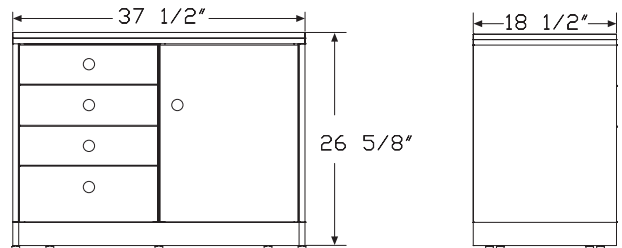
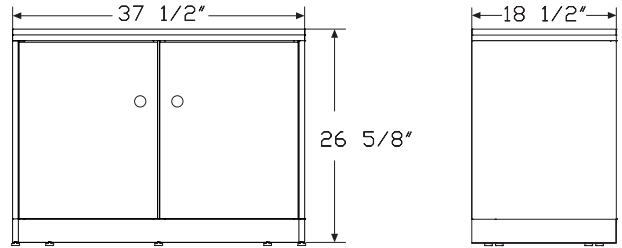
Notes

Sled base credenzas ship assembled.

Drawer credenzas include wood boxes and self-closing hidden drawer slides. Pencil tray and felt lining in bottom of drawer also included.

Santos palisander veneer is celebrated for its unique grain and color variations. Similar products ordered in multiples or dissimilar products ordered separately should be expected to have variation in both grain and color characteristics; no two products will look exactly alike.

Dimensions



Sled Base Credenza Two Units

Wide and Stone Top *continued*

Specification Information

Step 1.

JCS2S A

Step 2. Size

-1938 18¹/₂" deep x 37¹/₂" wide x 26⁵/₈" high A

Step 3. Configuration

-B2B2 two doors A

-B3B2 four drawers left, single door right A

-B3B4 four drawers left, BBF right A

-B4B2 BBF left, single door right A

-B4B4 BBF left, BBF right A

Prices for Steps 1-3.

	-B2B2	-B3B2	-B3B4	-B4B2	-B4B4
JCS2S -1938	\$7392	8436	9081	8037	8682

Step 4. Wood Finish

Premium Veneer - Low Sheen

	-B2B2	-B3B2	-B3B4	-B4B2	-B4B4
931 champagne anigre (natural) A	+\$1314	1499	1614	1428	1543
932 sundance anigre A	+\$1314	1499	1614	1428	1543
933 caramel anigre A	+\$1314	1499	1614	1428	1543
934 henna anigre A	+\$1314	1499	1614	1428	1543
941 natural beech A	+\$0	0	0	0	0
942 sundance cherry (natural) A	+\$0	0	0	0	0
943 caramel cherry A	+\$0	0	0	0	0
946 cocoa cherry A	+\$0	0	0	0	0
951 natural anigre A	+\$2871	3276	3527	3121	3372
956 cocoa sapele A	+\$0	0	0	0	0
962 toasted walnut, low sheen A	+\$0	0	0	0	0
963 charred walnut, low sheen A	+\$0	0	0	0	0
964 bronzed walnut, low sheen A	+\$0	0	0	0	0
965 smoked walnut, low sheen A	+\$0	0	0	0	0
966 coffee walnut, low sheen A	+\$0	0	0	0	0
967 smoked paldao, low sheen A	+\$1077	1229	1323	1171	1265

969 warm paldao, low sheen A	+\$1077	1229	1323	1171	1265
977 chocolate ash, low sheen A	+\$0	0	0	0	0
978 natural oak A	+\$0	0	0	0	0
981 champagne hickory (natural) A	+\$0	0	0	0	0
98R recograin rosewood A	+\$0	0	0	0	0
991 champagne ash A	+\$0	0	0	0	0
998 ebony ash A	+\$0	0	0	0	0
99A recograin frosty ash A	+\$0	0	0	0	0
99R recograin rosewood A	+\$0	0	0	0	0
99T recograin teak A	+\$0	0	0	0	0
9A1 white ash, quarter cut, low sheen A	+\$0	0	0	0	0
9K1 rift oak, rift cut, low sheen A	+\$0	0	0	0	0
9K6 burnt oak, rift cut, low sheen A	+\$0	0	0	0	0
ED aged cherry A	+\$0	0	0	0	0
EK medium red walnut A	+\$0	0	0	0	0
G2U light brown walnut, low sheen A	+\$0	0	0	0	0
G40 dark brown walnut, low sheen A	+\$0	0	0	0	0
UX walnut on cherry A	+\$0	0	0	0	0

Sled Base Credenza Two Units

Wide and Stone Top *continued*

HermanMiller Collection—Storage

Premium Veneer - Matte		-B2B2	-B3B2	-B3B4	-B4B2	-B4B4
662	toasted walnut, matte sheen A	+\$0	0	0	0	0
663	charred walnut, matte sheen A	+\$0	0	0	0	0
664	bronzed walnut, matte sheen A	+\$0	0	0	0	0
665	smoked walnut, matte sheen A	+\$0	0	0	0	0
666	coffee walnut, matte sheen A	+\$0	0	0	0	0
667	smoked paldao, quarter cut, matte sheen A	+\$1077	1229	1323	1171	1265
669	warm paldao, quarter cut, matte sheen A	+\$1077	1229	1323	1171	1265
66A	recograin frosty ash A	+\$0	0	0	0	0
677	chocolate ash, matte sheen A	+\$0	0	0	0	0
678	natural oak A	+\$0	0	0	0	0
68R	recograin rosewood A	+\$0	0	0	0	0
69A	recograin frosty ash A	+\$0	0	0	0	0
69R	recograin rosewood A	+\$0	0	0	0	0
69T	recograin teak A	+\$0	0	0	0	0
6A1	white ash A	+\$0	0	0	0	0
6K1	rift oak A	+\$0	0	0	0	0
6K6	burnt oak A	+\$0	0	0	0	0
ET	clear on ash A	+\$0	0	0	0	0
EU	oak on ash A	+\$0	0	0	0	0
EV	walnut on ash A	+\$0	0	0	0	0
GOU	natural walnut, flat cut, matte sheen A	+\$0	0	0	0	0

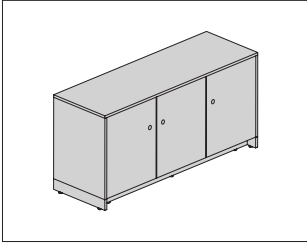
RecoGrain Veneer		-B2B2	-B3B2	-B3B4	-B4B2	-B4B4
66G	recograin wenge A	-\$359	-410	-441	-391	-422
68W	recograin walnut, flat cut, matte sheen A	-\$359	-410	-441	-391	-422
69G	recograin wenge A	-\$359	-410	-441	-391	-422
69K	recograin oak, quarter cut, matte sheen A	-\$359	-410	-441	-391	-422
69W	recograin walnut, quarter cut, matte sheen A	-\$359	-410	-441	-391	-422

Recon Veneer -		-B2B2	-B3B2	-B3B4	-B4B2	-B4B4
96G	wenge recograin, quarter cut, low sheen A	-\$359	-410	-441	-391	-422
98W	recograin walnut, flat cut, low sheen A	-\$359	-410	-441	-391	-422
99G	recograin wenge, quarter cut, low sheen A	-\$359	-410	-441	-391	-422
99K	recograin oak, quarter cut, low sheen A	-\$359	-410	-441	-391	-422
99W	recograin walnut, quarter cut, low sheen A	-\$359	-410	-441	-391	-422

Step 5. Stone or Marble Top		
200	perfato marble A	+\$0
250	verde antique marble A	+\$0
400	black granite A	+\$0
5U	georgia grey marble A	+\$0
800	autumn brown granite A	+\$0
960	white carrara marble A	+\$0
HR	wisconsin black marble A	+\$0

Step 6. Metal Finish		
BNZ	bronze A	+\$0
CHR	chrome A	+\$0
SAC	satin chrome A	+\$0

Sled Base Credenza Three Units JCS3S
Wide and Stone Top



Product Information

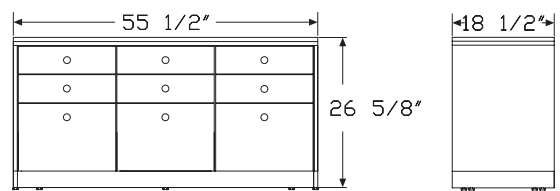
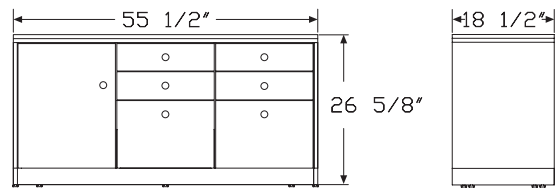
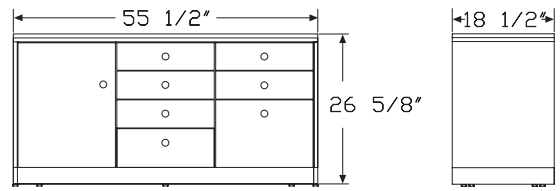
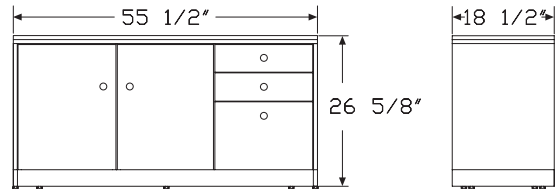
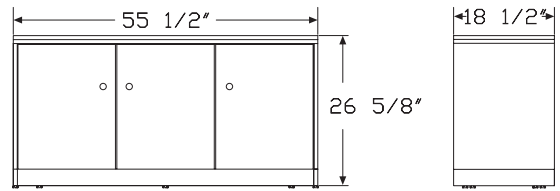
Description

This three-unit wide sled base credenza has a stone top and includes 3"-high metal base on the 3/4"-thick credenza gable. Storage unit is 18"-wide. Ward Bennett Flip pulls come in matching metal finish.

Notes

Sled base credenzas ship assembled.
 Drawer credenzas include wood boxes and self-closing hidden drawer slides. Pencil tray and felt lining in bottom of drawer also included.
 Santos palisander veneer is celebrated for its unique grain and color variations. Similar products ordered in multiples or dissimilar products ordered separately should be expected to have variation in both grain and color characteristics; no two products will look exactly alike.

Dimensions



Herman Miller Collection—Storage

Sled Base Credenza Three Units

Wide and Stone Top *continued*

Specification Information						
Step 1.						
JCS3S A						
Step 2. Size						
-1956	18 ¹ / ₂ " deep x 55 ¹ / ₂ " wide x 26 ⁵ / ₈ " high	A				
Step 3. Configuration						
-B2B2B2	three single doors	A				
-B2B2B4	single door left, single door center, BBF right	A				
-B2B3B4	single door left, 4 box center, BBF right	A				
-B2B4B4	single door left, BBF center, BBF right	A				
-B4B4B4	BBF left, BBF center, BBF right	A				
Prices for Steps 1-3.						
		-B2B2B2	-B2B2B4	-B2B3B4	-B2B4B4	-B4B4B4
JCS3S -1956	\$9972	10617	11661	11261	11906	
Step 4. Wood Finish						
Premium Veneer - Low Sheen						
		-B2B2B2	-B2B2B4	-B2B3B4	-B2B4B4	-B4B4B4
931	champagne anigre (natural) A	+\$1772	1887	2073	2002	2116
932	sundance anigre A	+\$1772	1887	2073	2002	2116
933	caramel anigre A	+\$1772	1887	2073	2002	2116
934	henna anigre A	+\$1772	1887	2073	2002	2116
941	natural beech A	+\$0	0	0	0	0
942	sundance cherry (natural) A	+\$0	0	0	0	0
943	caramel cherry A	+\$0	0	0	0	0
946	cocoa cherry A	+\$0	0	0	0	0
951	natural anigre A	+\$3873	4124	4529	4374	4624
956	cocoa sapele A	+\$0	0	0	0	0
962	toasted walnut, low sheen A	+\$0	0	0	0	0
963	charred walnut, low sheen A	+\$0	0	0	0	0
964	bronzed walnut, low sheen A	+\$0	0	0	0	0
965	smoked walnut, low sheen A	+\$0	0	0	0	0
966	coffee walnut, low sheen A	+\$0	0	0	0	0
967	smoked paldao, low sheen A	+\$1453	1547	1699	1641	1734

969	warm paldao, low sheen A	+\$1453	1547	1699	1641	1734
977	chocolate ash, low sheen A	+\$0	0	0	0	0
978	natural oak A	+\$0	0	0	0	0
981	champagne hickory (natural) A	+\$0	0	0	0	0
98R	recograin rosewood A	+\$0	0	0	0	0
991	champagne ash A	+\$0	0	0	0	0
998	ebony ash A	+\$0	0	0	0	0
99A	recograin frosty ash A	+\$0	0	0	0	0
99R	recograin rosewood A	+\$0	0	0	0	0
99T	recograin teak A	+\$0	0	0	0	0
9A1	white ash, quarter cut, low sheen A	+\$0	0	0	0	0
9K1	rift oak, rift cut, low sheen A	+\$0	0	0	0	0
9K6	burnt oak, rift cut, low sheen A	+\$0	0	0	0	0
ED	aged cherry A	+\$0	0	0	0	0
EK	medium red walnut A	+\$0	0	0	0	0
G2U	light brown walnut, low sheen A	+\$0	0	0	0	0
G40	dark brown walnut, low sheen A	+\$0	0	0	0	0
UX	walnut on cherry A	+\$0	0	0	0	0

Sled Base Credenza Three Units Wide and Stone Top *continued*

Premium Veneer - Matte

		-B2B2B2	-B2B2B4	-B2B3B4	-B2B4B4	-B4B4B4
662	toasted walnut, matte sheen A	+\$0	0	0	0	0
663	charred walnut, matte sheen A	+\$0	0	0	0	0
664	bronzed walnut, matte sheen A	+\$0	0	0	0	0
665	smoked walnut, matte sheen A	+\$0	0	0	0	0
666	coffee walnut, matte sheen A	+\$0	0	0	0	0
667	smoked paldao, quarter cut, matte sheen A	+\$1453	1547	1699	1641	1734
669	warm paldao, quarter cut, matte sheen A	+\$1453	1547	1699	1641	1734
66A	recograin frosty ash A	+\$0	0	0	0	0
677	chocolate ash, matte sheen A	+\$0	0	0	0	0
678	natural oak A	+\$0	0	0	0	0
68R	recograin rosewood A	+\$0	0	0	0	0
69A	recograin frosty ash A	+\$0	0	0	0	0
69R	recograin rosewood A	+\$0	0	0	0	0
69T	recograin teak A	+\$0	0	0	0	0
6A1	white ash A	+\$0	0	0	0	0
6K1	rift oak A	+\$0	0	0	0	0
6K6	burnt oak A	+\$0	0	0	0	0
ET	clear on ash A	+\$0	0	0	0	0
EU	oak on ash A	+\$0	0	0	0	0
EV	walnut on ash A	+\$0	0	0	0	0
GOU	natural walnut, flat cut, matte sheen A	+\$0	0	0	0	0

RecoGrain Veneer

		-B2B2B2	-B2B2B4	-B2B3B4	-B2B4B4	-B4B4B4
66G	recograin wenge A	-\$485	-516	-567	-547	-578
68W	recograin walnut, flat cut, matte sheen A	-\$485	-516	-567	-547	-578
69G	recograin wenge A	-\$485	-516	-567	-547	-578
69K	recograin oak, quarter cut, matte sheen A	-\$485	-516	-567	-547	-578
69W	recograin walnut, quarter cut, matte sheen A	-\$485	-516	-567	-547	-578

Recon Veneer -

		-B2B2B2	-B2B2B4	-B2B3B4	-B2B4B4	-B4B4B4
96G	wenge recograin, quarter cut, low sheen A	-\$485	-516	-567	-547	-578
98W	recograin walnut, flat cut, low sheen A	-\$485	-516	-567	-547	-578
99G	recograin wenge, quarter cut, low sheen A	-\$485	-516	-567	-547	-578
99K	recograin oak, quarter cut, low sheen A	-\$485	-516	-567	-547	-578
99W	recograin walnut, quarter cut, low sheen A	-\$485	-516	-567	-547	-578

Step 5. Stone or Marble Top

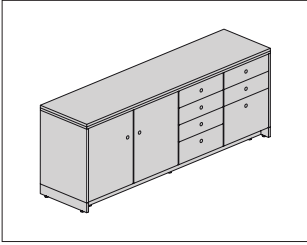
200	perfato marble A	+\$0
250	verde antique marble A	+\$0
400	black granite A	+\$0
5U	georgia grey marble A	+\$0
800	autumn brown granite A	+\$0
960	white carrara marble A	+\$0
HR	wisconsin black marble A	+\$0

Step 6. Metal Finish

BNZ	bronze A	+\$0
CHR	chrome A	+\$0
SAC	satin chrome A	+\$0

Sled Base Credenza Four Units
Wide and Stone Top

JCS4S



HermanMiller Collection—Storage

Product Information

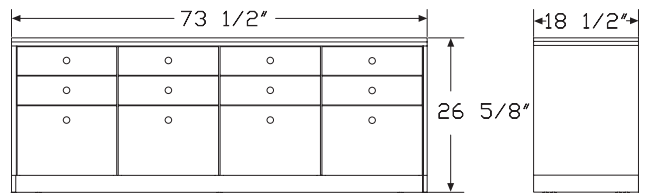
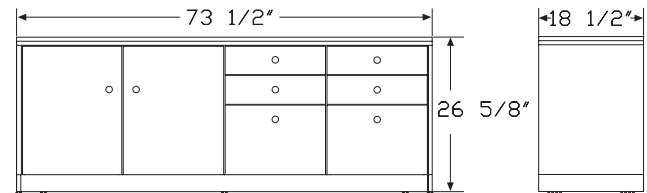
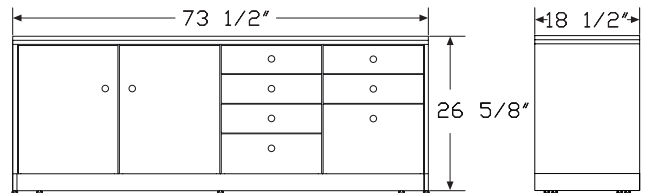
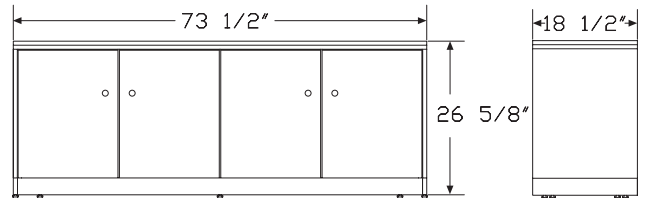
Description

This four-unit wide sled base credenza has a stone top and includes 3"-high metal base on the 3/4"-thick credenza gable. Storage unit is 18"-wide. Ward Bennett Flip pulls come in matching metal finish.

Notes

Sled base credenzas ship assembled.
 Drawer credenzas include wood boxes and self-closing hidden drawer slides. Pencil tray and felt lining in bottom of drawer also included.
 Santos palisander veneer is celebrated for its unique grain and color variations. Similar products ordered in multiples or dissimilar products ordered separately should be expected to have variation in both grain and color characteristics; no two products will look exactly alike.

Dimensions



Sled Base Credenza Four Units

Wide and Stone Top *continued*

Specification Information

Step 1.

JCS4S

Step 2. Size

-1974 18¹/₂" deep x 73¹/₂" wide x 26⁵/₈" high

Step 3. Configuration

-B2B2B2B2 four single doors

-B2B2B3B4 single door left, single door left center, four drawers right center, BBF right

-B2B2B4B4 single door left, single door left center, BBF right center, BBF right

-B4B4B4B4 four BBF

Prices for Steps 1-3.

	-B2B2B2B2	-B2B2B3B4	-B2B2B4B4	-B4B4B4B4
JCS4S -1974	\$13042	14731	14332	15621

Step 4. Wood Finish

Premium Veneer - Low Sheen

	-B2B2B2B2	-B2B2B3B4	-B2B2B4B4	-B4B4B4B4
931 champagne anigre (natural) <input type="checkbox"/>	+\$2318	2618	2547	2777
932 sundance anigre <input type="checkbox"/>	+\$2318	2618	2547	2777
933 caramel anigre <input type="checkbox"/>	+\$2318	2618	2547	2777
934 henna anigre <input type="checkbox"/>	+\$2318	2618	2547	2777
941 natural beech <input type="checkbox"/>	+\$0	0	0	0
942 sundance cherry (natural) <input type="checkbox"/>	+\$0	0	0	0
943 caramel cherry <input type="checkbox"/>	+\$0	0	0	0
946 cocoa cherry <input type="checkbox"/>	+\$0	0	0	0
951 natural anigre <input type="checkbox"/>	+\$5066	5721	5566	6067
956 cocoa sapele <input type="checkbox"/>	+\$0	0	0	0
962 toasted walnut, low sheen <input type="checkbox"/>	+\$0	0	0	0
963 charred walnut, low sheen <input type="checkbox"/>	+\$0	0	0	0
964 bronzed walnut, low sheen <input type="checkbox"/>	+\$0	0	0	0
965 smoked walnut, low sheen <input type="checkbox"/>	+\$0	0	0	0
966 coffee walnut, low sheen <input type="checkbox"/>	+\$0	0	0	0
967 smoked paldao, low sheen <input type="checkbox"/>	+\$1900	2146	2088	2276
969 warm paldao, low sheen <input type="checkbox"/>	+\$1900	2146	2088	2276

977 chocolate ash, low sheen <input type="checkbox"/>	+\$0	0	0	0
978 natural oak <input type="checkbox"/>	+\$0	0	0	0
981 champagne hickory (natural) <input type="checkbox"/>	+\$0	0	0	0
98R recograin rosewood <input type="checkbox"/>	+\$0	0	0	0
991 champagne ash <input type="checkbox"/>	+\$0	0	0	0
998 ebony ash <input type="checkbox"/>	+\$0	0	0	0
99A recograin frosty ash <input type="checkbox"/>	+\$0	0	0	0
99R recograin rosewood <input type="checkbox"/>	+\$0	0	0	0
99T recograin teak <input type="checkbox"/>	+\$0	0	0	0
9A1 white ash, quarter cut, low sheen <input type="checkbox"/>	+\$0	0	0	0
9K1 rift oak, rift cut, low sheen <input type="checkbox"/>	+\$0	0	0	0
9K6 burnt oak, rift cut, low sheen <input type="checkbox"/>	+\$0	0	0	0
ED aged cherry <input type="checkbox"/>	+\$0	0	0	0
EK medium red walnut <input type="checkbox"/>	+\$0	0	0	0
G2U light brown walnut, low sheen <input type="checkbox"/>	+\$0	0	0	0
G40 dark brown walnut, low sheen <input type="checkbox"/>	+\$0	0	0	0
UX walnut on cherry <input type="checkbox"/>	+\$0	0	0	0

Sled Base Credenza Four Units

Wide and Stone Top *continued*

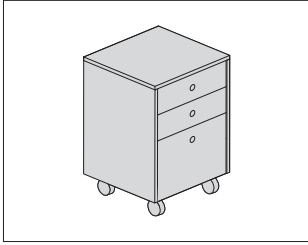
Premium Veneer - Matte		-B2B2B2B2	-B2B2B3B4	-B2B2B4B4	-B4B4B4B4
662	toasted walnut, matte sheen A	+\$0	0	0	0
663	charred walnut, matte sheen A	+\$0	0	0	0
664	bronzed walnut, matte sheen A	+\$0	0	0	0
665	smoked walnut, matte sheen A	+\$0	0	0	0
666	coffee walnut, matte sheen A	+\$0	0	0	0
667	smoked paldao, quarter cut, matte sheen A	+\$1900	2146	2088	2276
669	warm paldao, quarter cut, matte sheen A	+\$1900	2146	2088	2276
66A	recograin frosty ash A	+\$0	0	0	0
677	chocolate ash, matte sheen A	+\$0	0	0	0
678	natural oak A	+\$0	0	0	0
68R	recograin rosewood A	+\$0	0	0	0
69A	recograin frosty ash A	+\$0	0	0	0
69R	recograin rosewood A	+\$0	0	0	0
69T	recograin teak A	+\$0	0	0	0
6A1	white ash A	+\$0	0	0	0
6K1	rift oak A	+\$0	0	0	0
6K6	burnt oak A	+\$0	0	0	0
ET	clear on ash A	+\$0	0	0	0
EU	oak on ash A	+\$0	0	0	0
EV	walnut on ash A	+\$0	0	0	0
GOU	natural walnut, flat cut, matte sheen A	+\$0	0	0	0

RecoGrain Veneer		-B2B2B2B2	-B2B2B3B4	-B2B2B4B4	-B4B4B4B4
66G	recograin wenge A	-\$634	-716	-696	-759
68W	recograin walnut, flat cut, matte sheen A	-\$634	-716	-696	-759
69G	recograin wenge A	-\$634	-716	-696	-759
69K	recograin oak, quarter cut, matte sheen A	-\$634	-716	-696	-759
69W	recograin walnut, quarter cut, matte sheen A	-\$634	-716	-696	-759

Recon Veneer -		-B2B2B2B2	-B2B2B3B4	-B2B2B4B4	-B4B4B4B4
96G	wenge recograin, quarter cut, low sheen A	-\$634	-716	-696	-759
98W	recograin walnut, flat cut, low sheen A	-\$634	-716	-696	-759
99G	recograin wenge, quarter cut, low sheen A	-\$634	-716	-696	-759
99K	recograin oak, quarter cut, low sheen A	-\$634	-716	-696	-759
99W	recograin walnut, quarter cut, low sheen A	-\$634	-716	-696	-759

Step 5. Stone or Marble Top		
200	perfato marble A	+\$0
250	verde antique marble A	+\$0
400	black granite A	+\$0
5U	georgia grey marble A	+\$0
800	autumn brown granite A	+\$0
960	white carrara marble A	+\$0
HR	wisconsin black marble A	+\$0

Step 6. Metal Finish		
BNZ	bronze A	+\$0
CHR	chrome A	+\$0
SAC	satin chrome A	+\$0



Product Information

Description

This one-unit wide mobile pedestal has a wood top with metal frame. The casters are black with a silver yoke and no brake. Drawers include wood boxes and self-closing hidden drawer slides. Ward Bennett Flip Pull comes in matching metal finish.

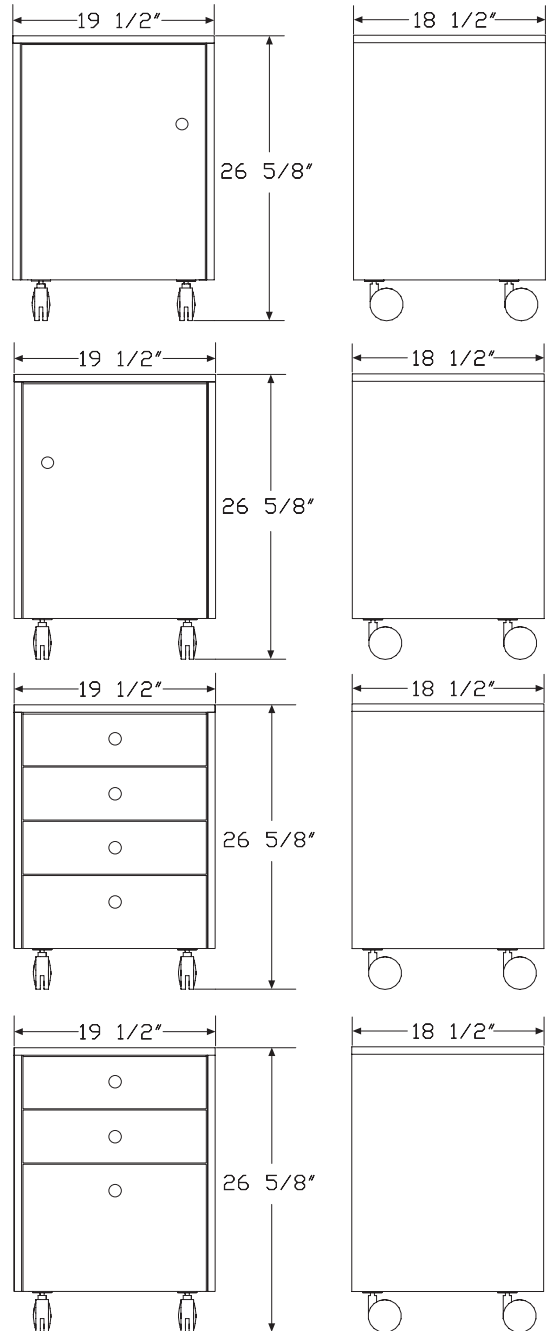
Notes

Mobile credenzas ship assembled.

B3 and B4 box drawers include pencil tray and felt lining in bottom of top drawer.

Santos palisander veneer is celebrated for its unique grain and color variations. Similar products ordered in multiples or dissimilar products ordered separately should be expected to have variation in both grain and color characteristics; no two products will look exactly alike.

Dimensions



Sled Base Mobile Pedestal *continued*

Specification Information

Step 1.

JMS1 A

Step 2. Size

-1920 18¹/₂" deep x 19¹/₂" wide x 26⁵/₈" high A

Step 3. Configuration

-B2L single door, hinged left A

-B2R single door, hinged right A

-B3 four box drawer A

-B4 box, box, file A

Prices for Steps 1-3.

JMS1-1920 -B2L	\$3095
-B2R	\$3095
-B3	\$4141
-B4	\$3740

Step 4. Wood Finish

Premium Veneer - Low Sheen

	-B2L	-B2R	-B3	-B4
931 champagne anigre (natural) A	+\$550	550	736	665
932 sundance anigre A	+\$550	550	736	665
933 caramel anigre A	+\$550	550	736	665
934 henna anigre A	+\$550	550	736	665
941 natural beech A	+\$0	0	0	0
942 sundance cherry (natural) A	+\$0	0	0	0
943 caramel cherry A	+\$0	0	0	0
946 cocoa cherry A	+\$0	0	0	0
951 natural anigre A	+\$1203	1203	1608	1454
956 cocoa sapele A	+\$0	0	0	0
962 toasted walnut, low sheen A	+\$0	0	0	0
963 charred walnut, low sheen A	+\$0	0	0	0
964 bronzed walnut, low sheen A	+\$0	0	0	0
965 smoked walnut, low sheen A	+\$0	0	0	0
966 coffee walnut, low sheen A	+\$0	0	0	0
967 smoked paldao, low sheen A	+\$451	451	603	545
969 warm paldao, low sheen A	+\$451	451	603	545

977 chocolate ash, low sheen A	+\$0	0	0	0
978 natural oak A	+\$0	0	0	0
981 champagne hickory (natural) A	+\$0	0	0	0
98R recograin rosewood A	+\$0	0	0	0
991 champagne ash A	+\$0	0	0	0
998 ebony ash A	+\$0	0	0	0
99A recograin frosty ash A	+\$0	0	0	0
99R recograin rosewood A	+\$0	0	0	0
99T recograin teak A	+\$0	0	0	0
9A1 white ash, quarter cut, low sheen A	+\$0	0	0	0
9K1 rift oak, rift cut, low sheen A	+\$0	0	0	0
9K6 burnt oak, rift cut, low sheen A	+\$0	0	0	0
ED aged cherry A	+\$0	0	0	0
EK medium red walnut A	+\$0	0	0	0
G2U light brown walnut, low sheen A	+\$0	0	0	0
G40 dark brown walnut, low sheen A	+\$0	0	0	0
UX walnut on cherry A	+\$0	0	0	0

Sled Base Mobile Pedestal *continued*

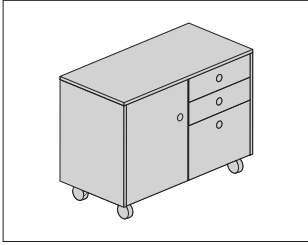
Premium Veneer - Matte		-B2L	-B2R	-B3	-B4
662	toasted walnut, matte sheen A	+\$0	0	0	0
663	charred walnut, matte sheen A	+\$0	0	0	0
664	bronzed walnut, matte sheen A	+\$0	0	0	0
665	smoked walnut, matte sheen A	+\$0	0	0	0
666	coffee walnut, matte sheen A	+\$0	0	0	0
667	smoked paldao, quarter cut, matte sheen A	+\$451	451	603	545
669	warm paldao, quarter cut, matte sheen A	+\$451	451	603	545
66A	recograin frosty ash A	+\$0	0	0	0
677	chocolate ash, matte sheen A	+\$0	0	0	0
678	natural oak A	+\$0	0	0	0
68R	recograin rosewood A	+\$0	0	0	0
69A	recograin frosty ash A	+\$0	0	0	0
69R	recograin rosewood A	+\$0	0	0	0
69T	recograin teak A	+\$0	0	0	0
6A1	white ash A	+\$0	0	0	0
6K1	rift oak A	+\$0	0	0	0
6K6	burnt oak A	+\$0	0	0	0
ET	clear on ash A	+\$0	0	0	0
EU	oak on ash A	+\$0	0	0	0
EV	walnut on ash A	+\$0	0	0	0
GOU	natural walnut, flat cut, matte sheen A	+\$0	0	0	0

RecoGrain Veneer		-B2L	-B2R	-B3	-B4
66G	recograin wenge A	-\$151	-151	-201	-182
68W	recograin walnut, flat cut, matte sheen A	-\$151	-151	-201	-182
69G	recograin wenge A	-\$151	-151	-201	-182
69K	recograin oak, quarter cut, matte sheen A	-\$151	-151	-201	-182
69W	recograin walnut, quarter cut, matte sheen A	-\$151	-151	-201	-182

Recon Veneer -		-B2L	-B2R	-B3	-B4
96G	wenge recograin, quarter cut, low sheen A	-\$151	-151	-201	-182
98W	recograin walnut, flat cut, low sheen A	-\$151	-151	-201	-182
99G	recograin wenge, quarter cut, low sheen A	-\$151	-151	-201	-182
99K	recograin oak, quarter cut, low sheen A	-\$151	-151	-201	-182
99W	recograin walnut, quarter cut, low sheen A	-\$151	-151	-201	-182

Step 5. Metal Finish					
BNZ	bronze A				+\$0
CHR	chrome A				+\$0
SAC	satin chrome A				+\$0

HermanMiller Collection—Storage



HermanMiller Collection—Storage

Product Information

Description

This two-unit wide mobile pedestal has a wood top with metal frame. The casters are black with a silver yoke and no brake. Drawers include wood boxes and self-closing hidden drawer slides. Ward Bennett Flip pulls come in matching metal finish.

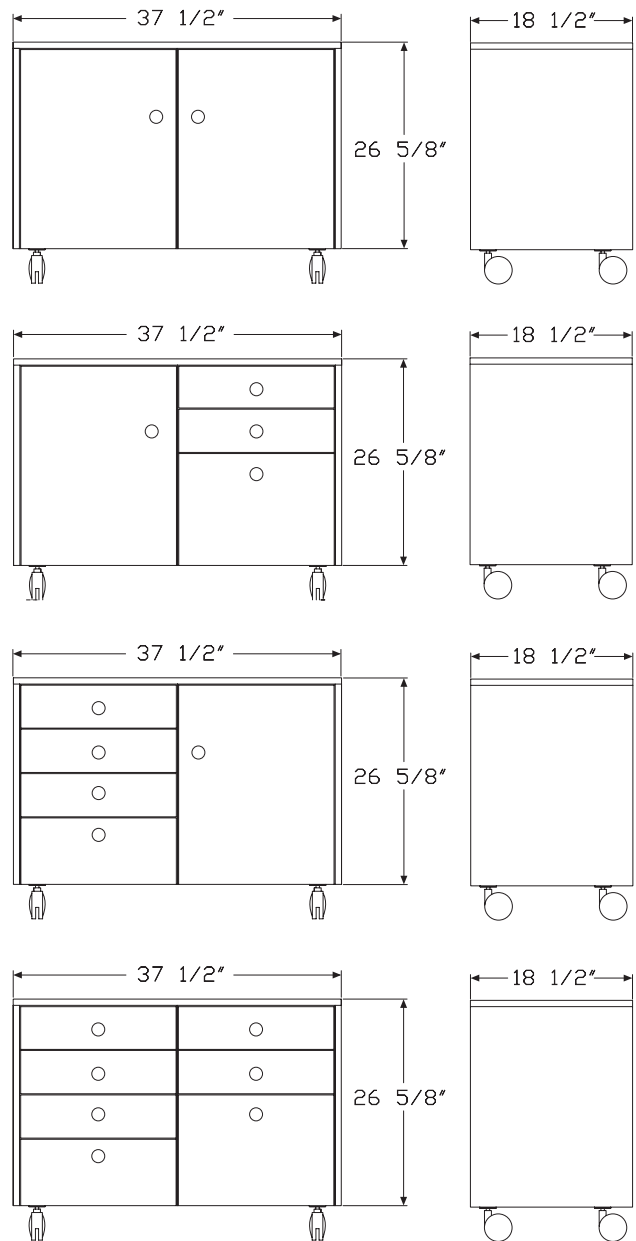
Notes

Mobile credenzas ship assembled.

B3 and B4 box drawers include pencil tray and felt lining in bottom of top drawer.

Santos palisander veneer is celebrated for its unique grain and color variations. Similar products ordered in multiples or dissimilar products ordered separately should be expected to have variation in both grain and color characteristics; no two products will look exactly alike.

Dimensions



Sled Base Mobile Credenza *continued*

Specification Information

Step 1.

JMS2

Step 2. Size

-1938 18¹/₂" deep x 37¹/₂" wide x 26⁵/₈" high

Step 3. Configuration

-B2B2 two doors

-B2B4 single door left, BBF right

-B3B2 four drawers left, single door right

-B3B4 four drawers left, BBF right

Prices for Steps 1-3.

JMS2-1938 -B2B2	\$5185
-B2B4	\$5831
-B3B2	\$6231
-B3B4	\$6877

Step 4. Wood Finish

Premium Veneer - Low Sheen

	-B2B2	-B2B4	-B3B2	-B3B4
931 champagne anigre (natural) <input type="checkbox"/>	+\$922	1036	1107	1222
932 sundance anigre <input type="checkbox"/>	+\$922	1036	1107	1222
933 caramel anigre <input type="checkbox"/>	+\$922	1036	1107	1222
934 henna anigre <input type="checkbox"/>	+\$922	1036	1107	1222
941 natural beech <input type="checkbox"/>	+\$0	0	0	0
942 sundance cherry (natural) <input type="checkbox"/>	+\$0	0	0	0
943 caramel cherry <input type="checkbox"/>	+\$0	0	0	0
946 cocoa cherry <input type="checkbox"/>	+\$0	0	0	0
951 natural anigre <input type="checkbox"/>	+\$2014	2265	2420	2671
956 cocoa sapele <input type="checkbox"/>	+\$0	0	0	0
962 toasted walnut, low sheen <input type="checkbox"/>	+\$0	0	0	0
963 charred walnut, low sheen <input type="checkbox"/>	+\$0	0	0	0
964 bronzed walnut, low sheen <input type="checkbox"/>	+\$0	0	0	0
965 smoked walnut, low sheen <input type="checkbox"/>	+\$0	0	0	0
966 coffee walnut, low sheen <input type="checkbox"/>	+\$0	0	0	0
967 smoked paldao, low sheen <input type="checkbox"/>	+\$756	850	908	1002
969 warm paldao, low sheen <input type="checkbox"/>	+\$756	850	908	1002

977 chocolate ash, low sheen <input type="checkbox"/>	+\$0	0	0	0
978 natural oak <input type="checkbox"/>	+\$0	0	0	0
981 champagne hickory (natural) <input type="checkbox"/>	+\$0	0	0	0
98R recograin rosewood <input type="checkbox"/>	+\$0	0	0	0
991 champagne ash <input type="checkbox"/>	+\$0	0	0	0
998 ebony ash <input type="checkbox"/>	+\$0	0	0	0
99A recograin frosty ash <input type="checkbox"/>	+\$0	0	0	0
99R recograin rosewood <input type="checkbox"/>	+\$0	0	0	0
99T recograin teak <input type="checkbox"/>	+\$0	0	0	0
9A1 white ash, quarter cut, low sheen <input type="checkbox"/>	+\$0	0	0	0
9K1 rift oak, rift cut, low sheen <input type="checkbox"/>	+\$0	0	0	0
9K6 burnt oak, rift cut, low sheen <input type="checkbox"/>	+\$0	0	0	0
ED aged cherry <input type="checkbox"/>	+\$0	0	0	0
EK medium red walnut <input type="checkbox"/>	+\$0	0	0	0
G2U light brown walnut, low sheen <input type="checkbox"/>	+\$0	0	0	0
G40 dark brown walnut, low sheen <input type="checkbox"/>	+\$0	0	0	0
UX walnut on cherry <input type="checkbox"/>	+\$0	0	0	0

Sled Base Mobile Credenza *continued*

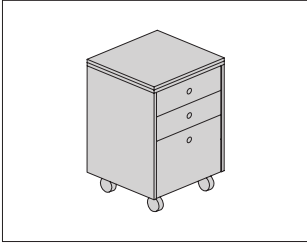
Premium Veneer - Matte		-B2B2	-B2B4	-B3B2	-B3B4
662	toasted walnut, matte sheen A	+\$0	0	0	0
663	charred walnut, matte sheen A	+\$0	0	0	0
664	bronzed walnut, matte sheen A	+\$0	0	0	0
665	smoked walnut, matte sheen A	+\$0	0	0	0
666	coffee walnut, matte sheen A	+\$0	0	0	0
667	smoked paldao, quarter cut, matte sheen A	+\$756	850	908	1002
669	warm paldao, quarter cut, matte sheen A	+\$756	850	908	1002
66A	recograin frosty ash A	+\$0	0	0	0
677	chocolate ash, matte sheen A	+\$0	0	0	0
678	natural oak A	+\$0	0	0	0
68R	recograin rosewood A	+\$0	0	0	0
69A	recograin frosty ash A	+\$0	0	0	0
69R	recograin rosewood A	+\$0	0	0	0
69T	recograin teak A	+\$0	0	0	0
6A1	white ash A	+\$0	0	0	0
6K1	rift oak A	+\$0	0	0	0
6K6	burnt oak A	+\$0	0	0	0
ET	clear on ash A	+\$0	0	0	0
EU	oak on ash A	+\$0	0	0	0
EV	walnut on ash A	+\$0	0	0	0
GOU	natural walnut, flat cut, matte sheen A	+\$0	0	0	0

RecoGrain Veneer		-B2B2	-B2B4	-B3B2	-B3B4
66G	recograin wenge A	-\$252	-284	-303	-334
68W	recograin walnut, flat cut, matte sheen A	-\$252	-284	-303	-334
69G	recograin wenge A	-\$252	-284	-303	-334
69K	recograin oak, quarter cut, matte sheen A	-\$252	-284	-303	-334
69W	recograin walnut, quarter cut, matte sheen A	-\$252	-284	-303	-334

Recon Veneer -		-B2B2	-B2B4	-B3B2	-B3B4
96G	wenge recograin, quarter cut, low sheen A	-\$252	-284	-303	-334
98W	recograin walnut, flat cut, low sheen A	-\$252	-284	-303	-334
99G	recograin wenge, quarter cut, low sheen A	-\$252	-284	-303	-334
99K	recograin oak, quarter cut, low sheen A	-\$252	-284	-303	-334
99W	recograin walnut, quarter cut, low sheen A	-\$252	-284	-303	-334

Step 5. Metal Finish			
BNZ	bronze A		+\$0
CHR	chrome A		+\$0
SAC	satin chrome A		+\$0

Sled Base Mobile Pedestal Stone Top JMS1S
Top



Product Information

Description

This one-unit wide mobile pedestal has a stone top with metal frame. Drawers include wood boxes and self-closing hidden drawer slides. The casters are black with a silver yoke and no brake. Ward Bennett Flip pull comes in matching metal finish.

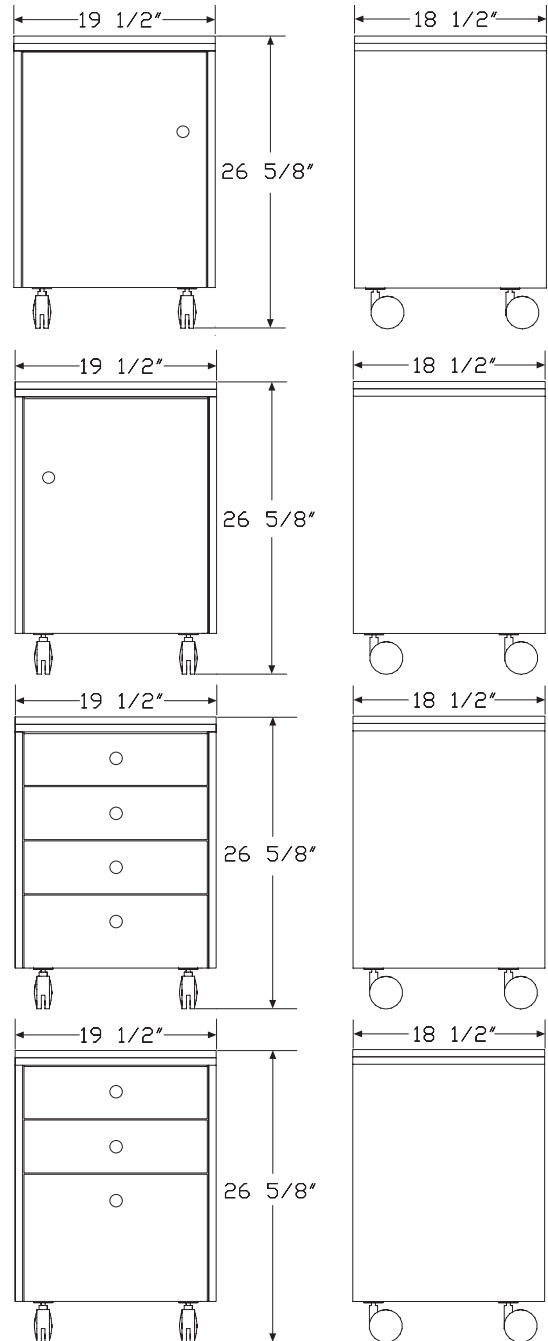
Notes

Mobile credenzas ship assembled.

B3 and B4 box drawers include pencil tray and felt lining in bottom of top drawer.

Santos palisander veneer is celebrated for its unique grain and color variations. Similar products ordered in multiples or dissimilar products ordered separately should be expected to have variation in both grain and color characteristics; no two products will look exactly alike.

Dimensions



Sled Base Mobile Pedestal Stone

Top *continued*

HermanMiller Collection—Storage

Specification Information

Step 1.

JMS1S A

Step 2. Size

-1920 18¹/₂" deep x 19¹/₂" wide x 26⁵/₈" high A

Step 3. Configuration

-B2L single door, hinged left A

-B2R single door, hinged right A

-B3 four box drawer A

-B4 box, box, file A

Prices for Steps 1-3.

	-B2L	-B2R	-B3	-B4
JMS1S -1920	\$4103	4103	5146	4748

Step 4. Wood Finish

Premium Veneer - Low Sheen

	-B2L	-B2R	-B3	-B4
931 champagne anigre (natural) A	+\$729	729	915	844
932 sundance anigre A	+\$729	729	915	844
933 caramel anigre A	+\$729	729	915	844
934 henna anigre A	+\$729	729	915	844
941 natural beech A	+\$0	0	0	0
942 sundance cherry (natural) A	+\$0	0	0	0
943 caramel cherry A	+\$0	0	0	0
946 cocoa cherry A	+\$0	0	0	0
951 natural anigre A	+\$1594	1594	1999	1844
956 cocoa sapele A	+\$0	0	0	0
962 toasted walnut, low sheen A	+\$0	0	0	0
963 charred walnut, low sheen A	+\$0	0	0	0
964 bronzed walnut, low sheen A	+\$0	0	0	0
965 smoked walnut, low sheen A	+\$0	0	0	0
966 coffee walnut, low sheen A	+\$0	0	0	0
967 smoked paldao, low sheen A	+\$598	598	750	692
969 warm paldao, low sheen A	+\$598	598	750	692
977 chocolate ash, low sheen A	+\$0	0	0	0
978 natural oak A	+\$0	0	0	0

981 champagne hickory (natural) A	+\$0	0	0	0
98R recograin rosewood A	+\$0	0	0	0
991 champagne ash A	+\$0	0	0	0
998 ebony ash A	+\$0	0	0	0
99A recograin frosty ash A	+\$0	0	0	0
99R recograin rosewood A	+\$0	0	0	0
99T recograin teak A	+\$0	0	0	0
9A1 white ash, quarter cut, low sheen A	+\$0	0	0	0
9K1 rift oak, rift cut, low sheen A	+\$0	0	0	0
9K6 burnt oak, rift cut, low sheen A	+\$0	0	0	0
ED aged cherry A	+\$0	0	0	0
EK medium red walnut A	+\$0	0	0	0
G2U light brown walnut, low sheen A	+\$0	0	0	0
G40 dark brown walnut, low sheen A	+\$0	0	0	0
UX walnut on cherry A	+\$0	0	0	0

Sled Base Mobile Pedestal Stone

Top *continued*

Premium Veneer - Matte		-B2L	-B2R	-B3	-B4
662	toasted walnut, matte sheen <input type="checkbox"/>	+\$0	0	0	0
663	charred walnut, matte sheen <input type="checkbox"/>	+\$0	0	0	0
664	bronzed walnut, matte sheen <input type="checkbox"/>	+\$0	0	0	0
665	smoked walnut, matte sheen <input type="checkbox"/>	+\$0	0	0	0
666	coffee walnut, matte sheen <input type="checkbox"/>	+\$0	0	0	0
667	smoked paldao, quarter cut, matte sheen <input type="checkbox"/>	+\$598	598	750	692
669	warm paldao, quarter cut, matte sheen <input type="checkbox"/>	+\$598	598	750	692
66A	recograin frosty ash <input type="checkbox"/>	+\$0	0	0	0
677	chocolate ash, matte sheen <input type="checkbox"/>	+\$0	0	0	0
678	natural oak <input type="checkbox"/>	+\$0	0	0	0
68R	recograin rosewood <input type="checkbox"/>	+\$0	0	0	0
69A	recograin frosty ash <input type="checkbox"/>	+\$0	0	0	0
69R	recograin rosewood <input type="checkbox"/>	+\$0	0	0	0
69T	recograin teak <input type="checkbox"/>	+\$0	0	0	0
6A1	white ash <input type="checkbox"/>	+\$0	0	0	0
6K1	rift oak <input type="checkbox"/>	+\$0	0	0	0
6K6	burnt oak <input type="checkbox"/>	+\$0	0	0	0
ET	clear on ash <input type="checkbox"/>	+\$0	0	0	0
EU	oak on ash <input type="checkbox"/>	+\$0	0	0	0
EV	walnut on ash <input type="checkbox"/>	+\$0	0	0	0
GOU	natural walnut, flat cut, matte sheen <input type="checkbox"/>	+\$0	0	0	0

RecoGrain Veneer		-B2L	-B2R	-B3	-B4
66G	recograin wenge <input type="checkbox"/>	-\$200	-200	-250	-231
68W	recograin walnut, flat cut, matte sheen <input type="checkbox"/>	-\$200	-200	-250	-231
69G	recograin wenge <input type="checkbox"/>	-\$200	-200	-250	-231
69K	recograin oak, quarter cut, matte sheen <input type="checkbox"/>	-\$200	-200	-250	-231
69W	recograin walnut, quarter cut, matte sheen <input type="checkbox"/>	-\$200	-200	-250	-231

Recon Veneer -		-B2L	-B2R	-B3	-B4
96G	wenge recograin, quarter cut, low sheen <input type="checkbox"/>	-\$200	-200	-250	-231
98W	recograin walnut, flat cut, low sheen <input type="checkbox"/>	-\$200	-200	-250	-231
99G	recograin wenge, quarter cut, low sheen <input type="checkbox"/>	-\$200	-200	-250	-231
99K	recograin oak, quarter cut, low sheen <input type="checkbox"/>	-\$200	-200	-250	-231
99W	recograin walnut, quarter cut, low sheen <input type="checkbox"/>	-\$200	-200	-250	-231

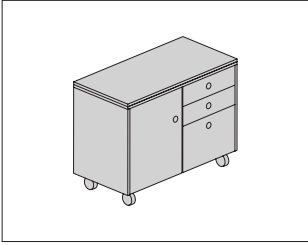
Step 5. Stone or Marble Top

200	perfato marble <input type="checkbox"/>				+\$0
250	verde antique marble <input type="checkbox"/>				+\$0
400	black granite <input type="checkbox"/>				+\$0
5U	georgia grey marble <input type="checkbox"/>				+\$0
800	autumn brown granite <input type="checkbox"/>				+\$0
960	white carrara marble <input type="checkbox"/>				+\$0
HR	wisconsin black marble <input type="checkbox"/>				+\$0

Step 6. Metal Finish

BNZ	bronze <input type="checkbox"/>				+\$0
CHR	chrome <input type="checkbox"/>				+\$0
SAC	satin chrome <input type="checkbox"/>				+\$0

Sled Base Mobile Credenza Stone Top JMS2S
Top



HermanMiller Collection—Storage

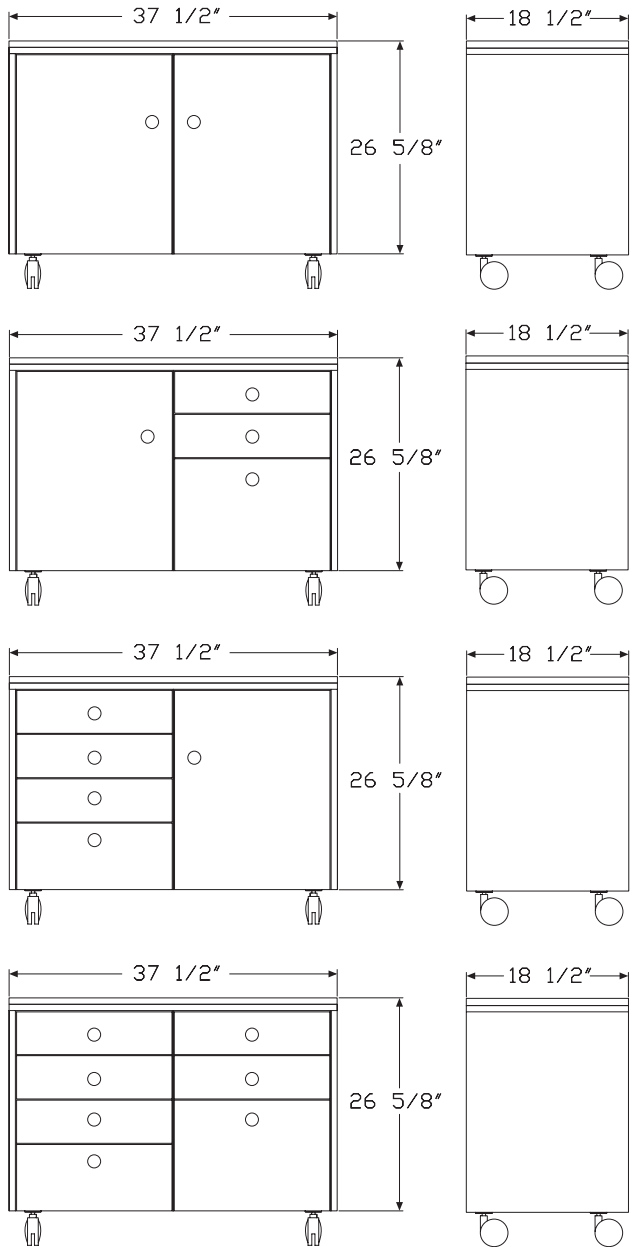
Product Information

Description
This two-unit wide mobile pedestal has a stone top with metal frame. The casters are black with a silver yoke and no brake. Drawers include wood boxes and self-closing hidden drawer slides. Ward Bennett Flip pulls come in matching metal finish.

Notes

Mobile credenzas ship assembled.
B3 and B4 box drawers include pencil tray and felt lining in bottom of top drawer.
Santos palisander veneer is celebrated for its unique grain and color variations. Similar products ordered in multiples or dissimilar products ordered separately should be expected to have variation in both grain and color characteristics; no two products will look exactly alike.

Dimensions



Sled Base Mobile Credenza Stone Top *continued*

Specification Information

Step 1.

JMS2S A

Step 2. Size

-1938 18¹/₂" deep x 37¹/₂" wide x 26⁵/₈" high A

Step 3. Configuration

-B2B2 two doors A

-B2B4 single door left, BBF right A

-B3B2 four drawers left, single door right A

-B3B4 four drawers left, BBF right A

Prices for Steps 1-3.

	-B2B2	-B2B4	-B3B2	-B3B4
JMS2S -1938	\$7198	7843	8243	8887

Step 4. Wood Finish

Premium Veneer - Low Sheen

	-B2B2	-B2B4	-B3B2	-B3B4
931 champagne anigre (natural) A	+\$1279	1394	1465	1580
932 sundance anigre A	+\$1279	1394	1465	1580
933 caramel anigre A	+\$1279	1394	1465	1580
934 henna anigre A	+\$1279	1394	1465	1580
941 natural beech A	+\$0	0	0	0
942 sundance cherry (natural) A	+\$0	0	0	0
943 caramel cherry A	+\$0	0	0	0
946 cocoa cherry A	+\$0	0	0	0
951 natural anigre A	+\$2796	3046	3201	3452
956 cocoa sapele A	+\$0	0	0	0
962 toasted walnut, low sheen A	+\$0	0	0	0
963 charred walnut, low sheen A	+\$0	0	0	0
964 bronzed walnut, low sheen A	+\$0	0	0	0
965 smoked walnut, low sheen A	+\$0	0	0	0
966 coffee walnut, low sheen A	+\$0	0	0	0
967 smoked paldao, low sheen A	+\$1049	1143	1201	1295
969 warm paldao, low sheen A	+\$1049	1143	1201	1295
977 chocolate ash, low sheen A	+\$0	0	0	0
978 natural oak A	+\$0	0	0	0

981 champagne hickory (natural) A	+\$0	0	0	0
98R recograin rosewood A	+\$0	0	0	0
991 champagne ash A	+\$0	0	0	0
998 ebony ash A	+\$0	0	0	0
99A recograin frosty ash A	+\$0	0	0	0
99R recograin rosewood A	+\$0	0	0	0
99T recograin teak A	+\$0	0	0	0
9A1 white ash, quarter cut, low sheen A	+\$0	0	0	0
9K1 rift oak, rift cut, low sheen A	+\$0	0	0	0
9K6 burnt oak, rift cut, low sheen A	+\$0	0	0	0
ED aged cherry A	+\$0	0	0	0
EK medium red walnut A	+\$0	0	0	0
G2U light brown walnut, low sheen A	+\$0	0	0	0
G40 dark brown walnut, low sheen A	+\$0	0	0	0
UX walnut on cherry A	+\$0	0	0	0

Sled Base Mobile Credenza Stone

Top *continued*

HermanMiller Collection—Storage

Premium Veneer - Matte		-B2B2	-B2B4	-B3B2	-B3B4
662	toasted walnut, matte sheen A	+\$0	0	0	0
663	charred walnut, matte sheen A	+\$0	0	0	0
664	bronzed walnut, matte sheen A	+\$0	0	0	0
665	smoked walnut, matte sheen A	+\$0	0	0	0
666	coffee walnut, matte sheen A	+\$0	0	0	0
667	smoked paldao, quarter cut, matte sheen A	+\$1049	1143	1201	1295
669	warm paldao, quarter cut, matte sheen A	+\$1049	1143	1201	1295
66A	recograin frosty ash A	+\$0	0	0	0
677	chocolate ash, matte sheen A	+\$0	0	0	0
678	natural oak A	+\$0	0	0	0
68R	recograin rosewood A	+\$0	0	0	0
69A	recograin frosty ash A	+\$0	0	0	0
69R	recograin rosewood A	+\$0	0	0	0
69T	recograin teak A	+\$0	0	0	0
6A1	white ash A	+\$0	0	0	0
6K1	rift oak A	+\$0	0	0	0
6K6	burnt oak A	+\$0	0	0	0
ET	clear on ash A	+\$0	0	0	0
EU	oak on ash A	+\$0	0	0	0
EV	walnut on ash A	+\$0	0	0	0
GOU	natural walnut, flat cut, matte sheen A	+\$0	0	0	0

RecoGrain Veneer		-B2B2	-B2B4	-B3B2	-B3B4
66G	recograin wenge A	-\$350	-381	-401	-432
68W	recograin walnut, flat cut, matte sheen A	-\$350	-381	-401	-432
69G	recograin wenge A	-\$350	-381	-401	-432
69K	recograin oak, quarter cut, matte sheen A	-\$350	-381	-401	-432
69W	recograin walnut, quarter cut, matte sheen A	-\$350	-381	-401	-432

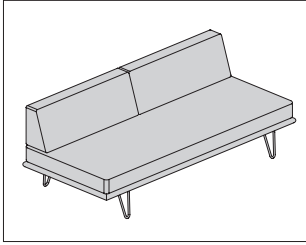
Recon Veneer -		-B2B2	-B2B4	-B3B2	-B3B4
96G	wenge recograin, quarter cut, low sheen A	-\$350	-381	-401	-432
98W	recograin walnut, flat cut, low sheen A	-\$350	-381	-401	-432
99G	recograin wenge, quarter cut, low sheen A	-\$350	-381	-401	-432
99K	recograin oak, quarter cut, low sheen A	-\$350	-381	-401	-432
99W	recograin walnut, quarter cut, low sheen A	-\$350	-381	-401	-432

Step 5. Stone or Marble Top		
200	perfato marble A	+\$0
250	verde antique marble A	+\$0
400	black granite A	+\$0
5U	georgia grey marble A	+\$0
800	autumn brown granite A	+\$0
960	white carrara marble A	+\$0
HR	wisconsin black marble A	+\$0

Step 6. Metal Finish		
BNZ	bronze A	+\$0
CHR	chrome A	+\$0
SAC	satin chrome A	+\$0

Nelson™ Daybed

TE5088
TE5089
TE5090

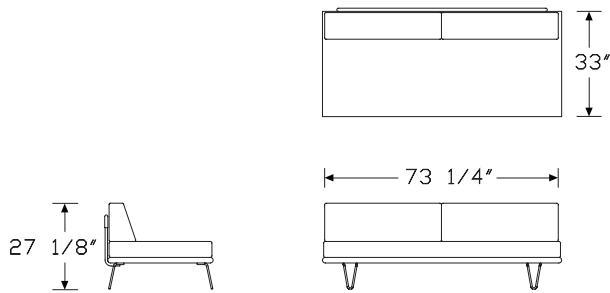


Product Information

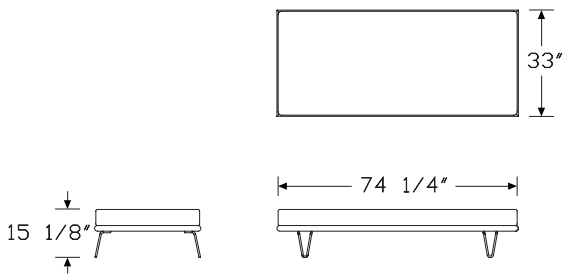
Description

This daybed is available with a seat cushion only, 2 back bolsters with steel bolster supports, or 1 end bolster and bolster support. Leg options are 4 steel hairpin legs or 4 wood taper legs with black glides.

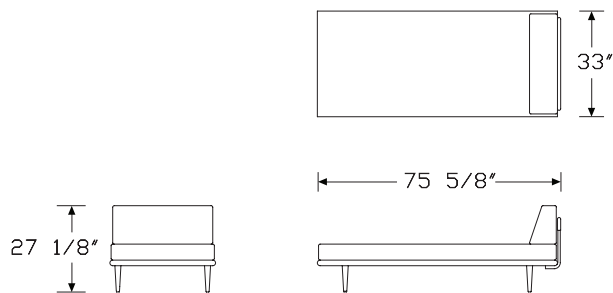
Dimensions



2 Bolsters and Bolster Support



Daybed



End Bolster and Bolster Support

Specification Information

Step 1.

TE50 A

Step 2. Configuration

- 88.** two bolsters and bolster support A
- 89.** daybed A
- 90.** end bolster and bolster support A

Step 3. Leg

- H** hairpin A
- T** wood taper A

Prices for Steps 1-3.

TE5088.	H	\$3518
	T	\$3425
TE5089.	H	\$3106
	T	\$3013
TE5090.	H	\$3312
	T	\$3219

Step 4. Frame

- OU** walnut A +\$0
- A2** white ash A +\$105

Step 5. Leg Finish

For hairpin (H)

- SAC** satin chrome A +\$0

For wood taper (T)

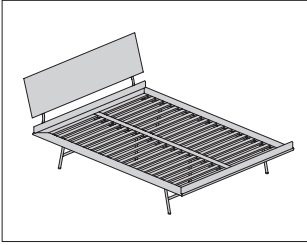
- OU** walnut A +\$0
- A2** white ash A +\$0

Step 6. Fabric

	88.	89.	90.
Price Category 2	+\$280	160	220
Price Category 5	+\$550	430	490
Price Category (Geiger) 7	+\$730	610	670
Price Category 10	+\$1000	880	940
Price Category 14	+\$1360	1240	1300
Price Category D	+\$320	440	500

Nelson™ Thin Edge Bed

TE5491
TE5492
TE5493
TE5494
TE5495



HermanMiller Collection—Bedroom

Product Information

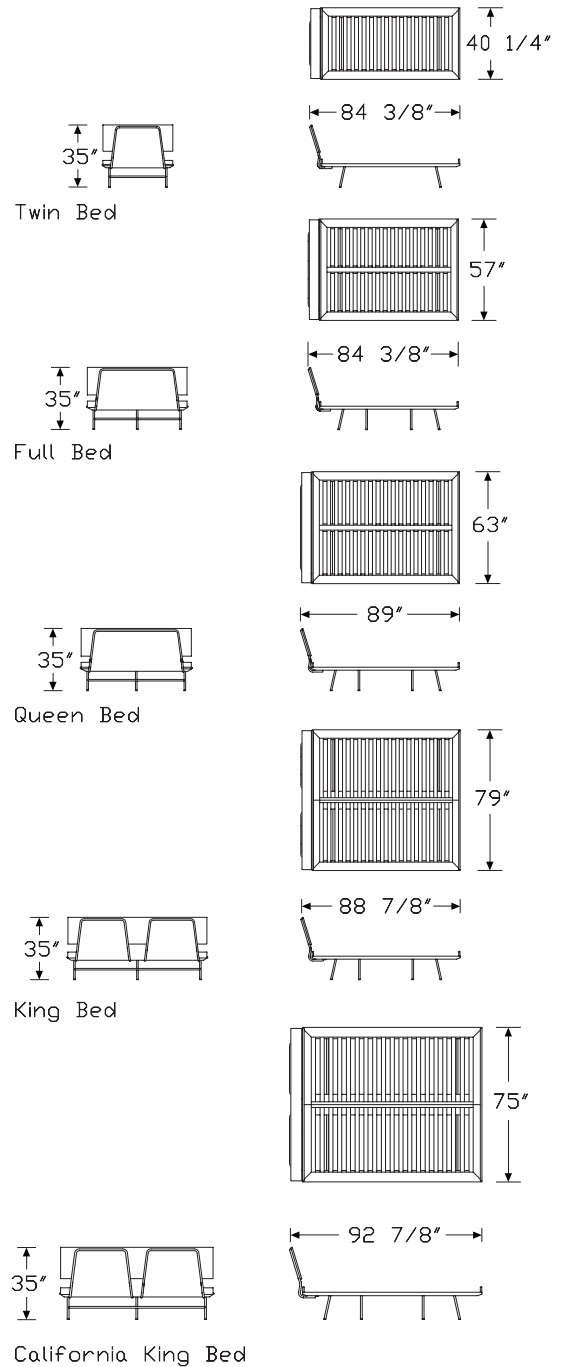
Description

This bed comes with a natural cane or veneer headboard option. Twin, full, and queen sizes have 1 headboard support. King and California king sizes come with 2 twin-size headboard supports. Leg options are steel H-frame legs or solid wood tapers. Twin bed has 4 wood taper legs; larger bed sizes have 6 wood taper legs. All leg options come with black glides.

Notes

Bed ships unassembled in 3 boxes. Frame, headboard and headboard supports, and legs ship in separate boxes.

Dimensions



Nelson™ Thin Edge Bed *continued*

Specification Information

Step 1.

TE54

Step 2. Size

- 91.** twin
- 92.** full
- 93.** queen
- 94.** king
- 95.** california king

Step 3. Headboard

- C** natural cane
- V** veneer

Step 4. Leg

- F** h frame
- T** wood taper

Prices for Steps 1-4.

		F	T
TE5491.	C	\$3492	3399
	V	\$3214	3142
TE5492.	C	\$4110	4017
	V	\$3842	3760
TE5493.	C	\$4986	4893
	V	\$4728	4635
TE5494.	C	\$5604	5511
	V	\$5346	5253
TE5495.	C	\$5604	5511
	V	\$5346	5253

Step 5. Frame Finish

		91.	92.	93.	94.	95.
OU	walnut <input type="checkbox"/>	+\$0	0	0	0	0
A2	white ash <input type="checkbox"/>	+\$105	120	150	180	180

Step 6. Leg Finish

For h frame (F)

SAC satin chrome +\$0

For wood taper (T)

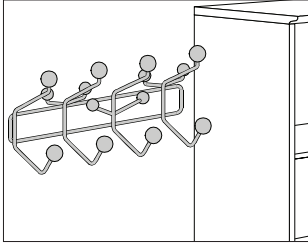
OU walnut +\$0
A2 white ash +\$0

Accessories

Lighting

Eames® Hang-It-All®

HIA91
 HIABK
 HIAML
 HIAOU
 HIAUL

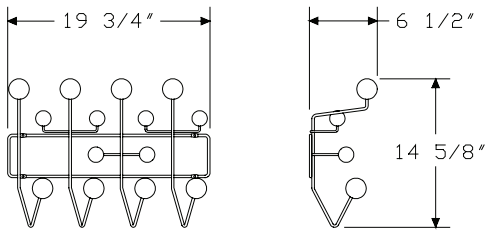


Product Information

Description

The Hang-It-All® frame is steel rod, available in white, black or dark blue. The black frame is available with solid wooden spheres in black or solid walnut. The white frame is available with either the multi-color option with 14 solid wooden spheres in 9 different colors: yellow, mustard, blue, green, red, pastel pink, bold pink, purple, and black, or the white option with solid wooden spheres in white or solid walnut. The dark blue frame is offered with solid maple spheres finished in a matte sheen. Attachment hardware is included.

Dimensions



Specification Information

Step 1.

HIA

Step 2. Sphere Finish

MLC	multi-color (multi-color spheres with white frame)
91	white
BK	black
OU	walnut
UL	natural maple

Step 3. Wire Finish

For multi-color (multi-color spheres with white frame) (MLC)

91 white

For white (91)

91 white

For black (BK)

BK black

For walnut (OU)

91 white

BK black

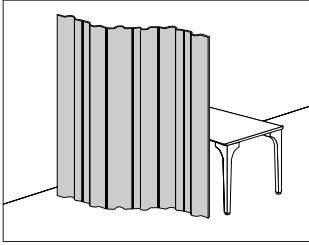
For natural maple (UL)

DBM dark blue maple

Prices for Steps 1-3.

HIAMLC 91	\$185
HIA91 91	\$185
HIABK BK	\$185
HIAOU 91	\$285
BK	\$285
HIAUL DBM	\$285

Eames® Molded Plywood Folding Screen FSW.



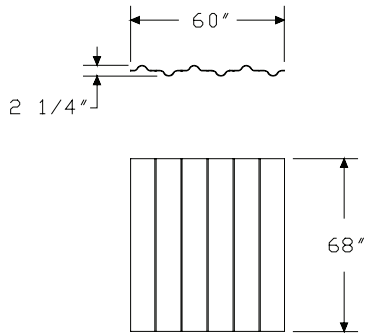
HermanMiller Collection—Accessories

Product Information

Description
 This 6-paneled, 5-ply screen has natural face veneers with lightweight hardwood inner plies. It stands alone to create standing or seated privacy and divisions within an environment. Each molded plywood section is connected by woven polypropylene mesh.

Notes
 Ebony (EN) option is stain on ash veneer; inner plies are not as visible.

Dimensions



Specification Information

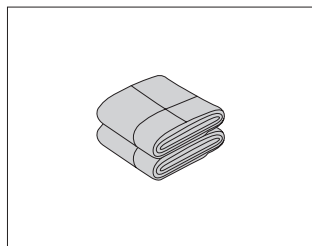
Step 1.
FSW. A \$3347

Step 2. Surface Finish

EN ebony A +\$225
OU walnut A +\$0
A2 white ash A +\$225

Girard® Throw

HA-GT

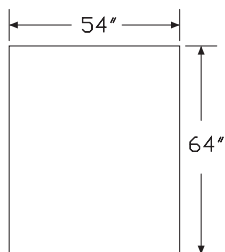


Product Information

Description

In the 1960's, Alexander Girard designed this richly hued throw blanket as part of an astounding 17,543 item brand identity system—from logo to lounge furniture to bag tags—for Braniff International Airways. The re-created designs are crafted from a blend of 82% naturally breathable, wrinkle resistant, high quality virgin wool and 18% cotton.

Dimensions



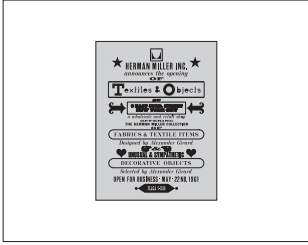
Specification Information

Step 1.

HA-GT \$359

Step 2. Finish

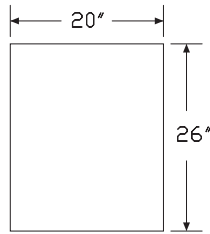
TLA	teal/aqua	+\$0
ORF	orange/fuchsia	+\$0
BKW	black/white	+\$0
NLW	natural/white	+\$0



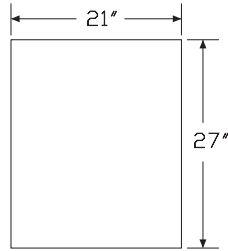
Product Information

Description
 The Textiles & Objects poster is evidence that, in Girard’s hands, advertising can rise to the level of art. Among the many invitations, signs, product tags, and other graphical elements Alexander Girard designed to promote the midtown Manhattan Textiles & Objects shop he launched with Herman Miller in 1961, this faithful screen printed re-edition of the 26" × 20" poster is available framed or unframed. The framed version includes an elegant 3/4" white wood frame with clear acrylic. Mounting hardware included.

Dimensions



Unframed



Framed

Specification Information

Step 1.

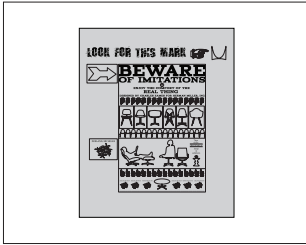
HA-TO

Step 2. Option

- F** framed
- U** unframed

Prices for Steps 1-2.

HA-TO F	\$525
U	\$125

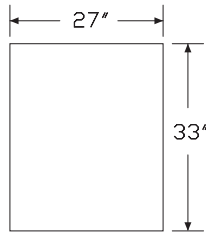


Product Information

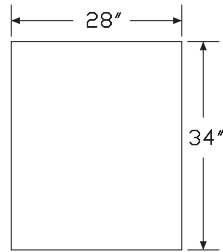
Description

The Beware of Imitations poster is a reproduction of an advertisement produced for Herman Miller by the Eames® Office in 1962. The original ad appeared on the back cover of Arts & Architecture magazine, edited at the time by the Eames' Case Study collaborator John Entenza. Faithful in every detail to the original art, and reproduced as a 2-color screen print on acid-free archival paper, the 33" x 27" poster is available framed or unframed. The framed version includes an elegant 3/4" white wood frame with clear acrylic. Mounting hardware included.

Dimensions



Unframed



Framed

Specification Information

Step 1.

HA-BE

Step 2. Option

U unframed

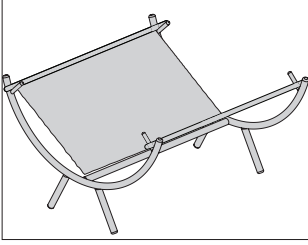
F framed

Prices for Steps 1-2.

HA-BE U	\$157
F	\$655

Nelson™ Firewood Caddy

HA-FC.

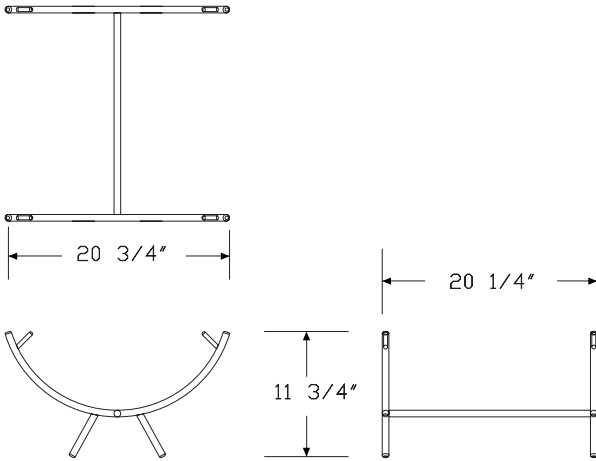


HermanMiller Collection—Accessories

Product Information

Description
 This caddy has a powder-coated steel frame, canvas sling, and solid walnut dowels.

Dimensions

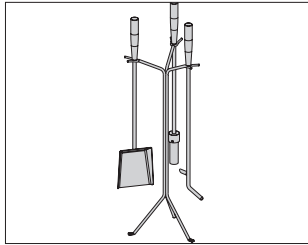


Specification Information

Step 1.		
HA-FC.	<input type="checkbox"/> A	\$425
Step 2. Wood Handle		
OU	walnut <input type="checkbox"/> A	+\$0

Nelson™ Fireplace Tool Set

HA-FP.

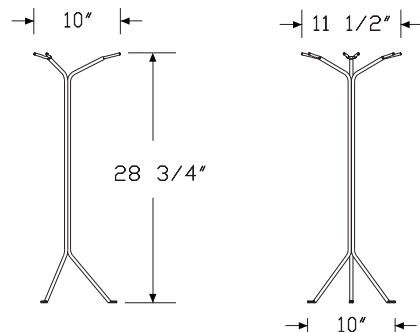
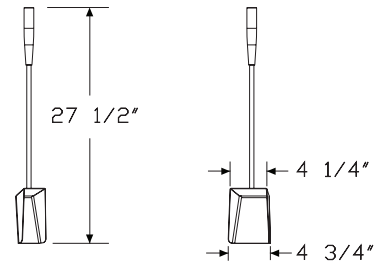
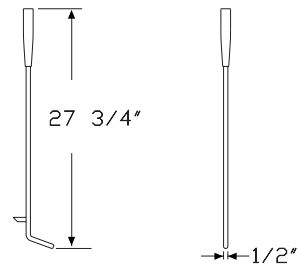
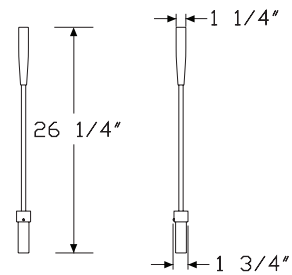


Product Information

Description

This set of fireplace tools includes stand, poker, shovel, and brush, each made from powder-coated steel with walnut handles.

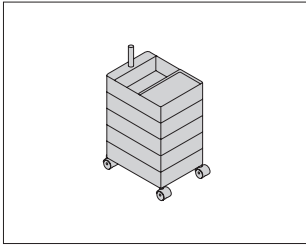
Dimensions



Specification Information		
Step 1.		
HA-FP.	A	\$430
Step 2. Wood Handle		
OU	walnut A	+\$0

360° Container (5 drawer w/
casters)

HA-CO

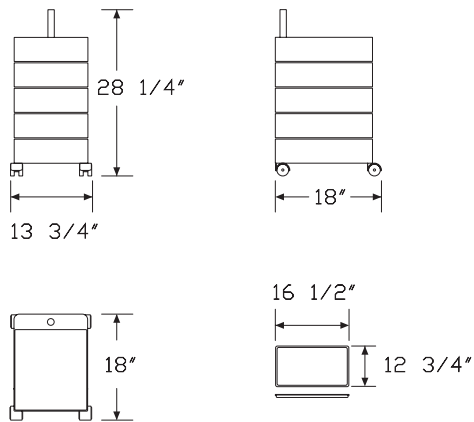


Product Information

Description

A strikingly simple and highly mobile storage solution, Konstantin Grcic's 360° Container for Magis keeps pace with contemporary work and living spaces where considerable movement is the norm. The container's drawer units swivel out to 360° to open, and casters allow for convenient mobility.

Dimensions



Specification Information

Step 1.

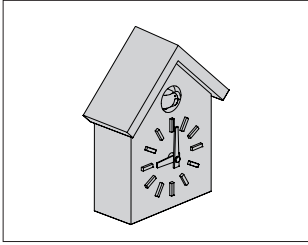
HA-CO \$683

Step 2. Finish

TRG	orange gloss	+\$0
TWG	white gloss	+\$0
YB3	light grey gloss	+\$0
TBG	black gloss	+\$0
RED	red gloss	+\$0

Cu-Clock, 4-Pack

HA-CC



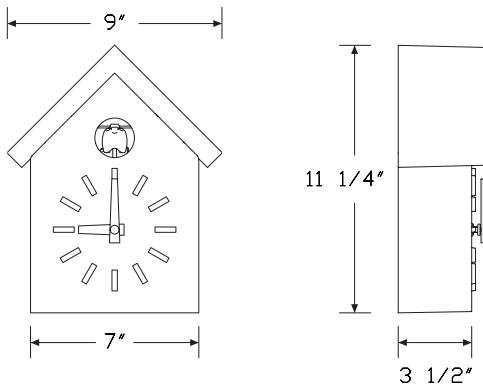
HermanMiller Collection—Accessories

Product Information

Description

Japanese designer Naoto Fukasawa offers a contemporary twist on tradition with his Cu-Clock for Magis. Cleverly stripping away the ornamentation, wooden gears, pendants, and chains that define the look of the traditional Black Forest cuckoo clock, Fukasawa leaves in its place clean lines and standard injection-molded ABS. Finish is matte white with optional roof colors. Battery included.

Dimensions



Specification Information

Step 1.

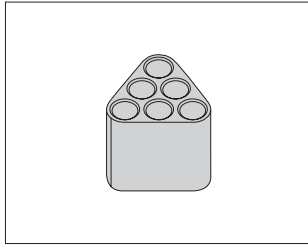
HA-CC-4 \$1468

Step 2. Finish

A	white with orange roof	+\$0
B	white with white roof	+\$0
V	white with green roof	+\$0

Umbrella Stand

HA-US

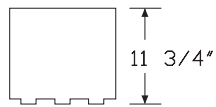
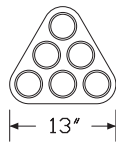


Product Information

Description

The Umbrella Stand for Magis allows long and short umbrellas to be easily popped in and stowed when dashing in from the rain. Its compact size and triangular shape make for easy placement in an entryway or hallway. Available in orange, white, black, or olive green.

Dimensions



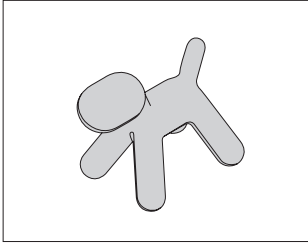
Specification Information

Step 1.

HA-US \$157

Step 2. Finish

ORN	orange	+\$0
WHX	white	+\$0
BLC	black	+\$0
YGH	olive green <input type="checkbox"/> A	+\$0

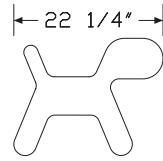
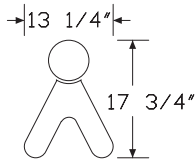
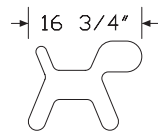
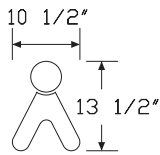


Product Information

Description

The vivid color, organic form, and playful spirit of Puppy are all characteristic of Finnish designer Eero Aarnio's oeuvre. Imaginative and innovative, his abstract plastic dog for Magis Me Too blends function and delight, finding use both inside and out as a seat or simply as sculpture.

Dimensions



Specification Information

Step 1.

HA-PP-2

Step 2. Size

- S** small
- M** medium

Prices for Steps 1-2.

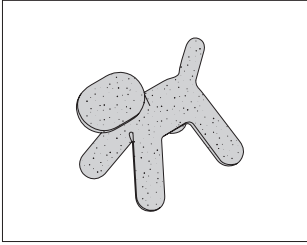
HA-PP-2 S	\$188
M	\$314

Step 3. Finish

PRG orange	+ \$0
PFW off-white	+ \$0
PGN green A	+ \$0

Dalmatian Puppy

HA-DP

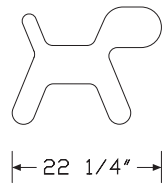
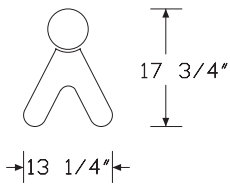
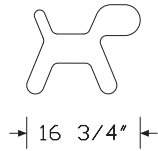
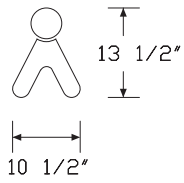


Product Information

Description

The color, organic form, and playful spirit of Puppy are all characteristic of Finnish designer Eero Aarnio's oeuvre. Imaginative and innovative, his abstract plastic dog for Magis Me Too blends function and delight, finding use both inside and out as a seat or simply as sculpture.

Dimensions



Specification Information

Step 1.

HA-DP

Step 2. Size

S small

M medium

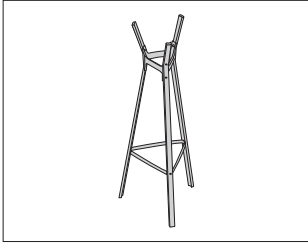
L large

Prices for Steps 1-2.

HA-DP	S	\$130
	M	\$220
	L	\$290

Steelwood Coat Stand

HA-CR



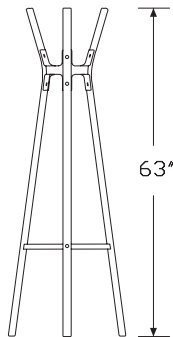
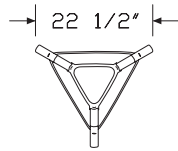
HermanMiller Collection—Accessories

Product Information

Description

This coat stand shares the same simple wood and steel joinery that makes the entire Steelwood family appropriate for casual and elegant settings alike. Its triangular footprint fits easily into tight spaces. Frame is natural or painted beech. Top and bottom joints are steel plate painted in epoxy resin.

Dimensions



Specification Information

Step 1.

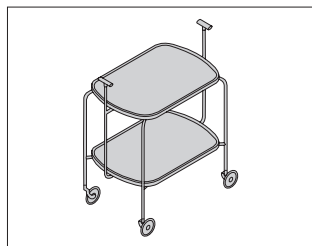
HA-CR \$662

Step 2. Finish

WFW	white frame with white joints	+\$0
BFB	black frame with black joints A	+\$0
NBW	natural beech frame with white joints	+\$0
NBB	natural beech frame with black joints	+\$0
YWF	walnut frame with black joints A	+\$430

Transit Folding Trolley

HA-TT

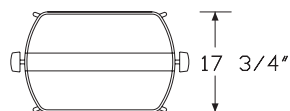
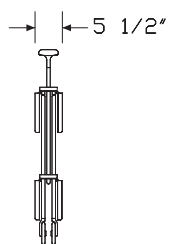
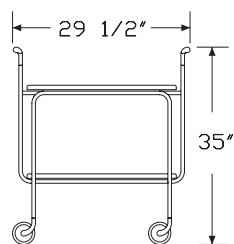


Product Information

Description

The practical design and subtle sophistication of David Mellor's Transit Folding Trolley for Magis makes this resourceful trolley cart equally suited for both home and work environments. Made with a chromed steel tube frame, standard injection-molded polypropylene shelves, and polished die-cast aluminum handles, Transit features casters for easy mobility and a folding system for quick, compact storage.

Dimensions



Specification Information

Step 1.

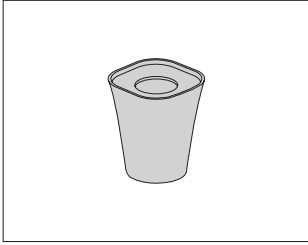
HA-TT \$736

Step 2. Finish

YF9 white +\$0

Trash Bin, 4-Pack

HA-TH-



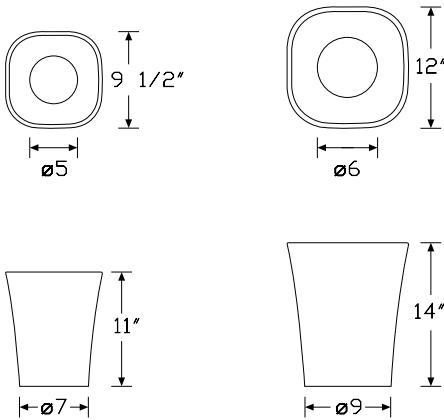
HermanMiller Collection—Accessories

Product Information

Description

Jasper Morrison's ability to design simple, functional objects beautifully finds its proof in his covetable reprisal of the lowly trash container. Created with Magis using standard plastic, this sleek receptacle features a removable lid and bag-liner holder to make basic litter collection easier and more stylish in the home or workplace.

Dimensions



Specification Information

Step 1.

HA-TH-4

Step 2. Size

- 4.** Small
- 0.** Large

Prices for Steps 1-2.

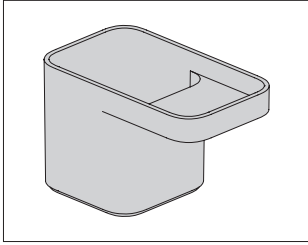
HA-TH-4 4.	\$152
0.	\$228

Step 3. Finish

B	white matte color	+ \$0
N	black matte color	+ \$0
BE	beige matte color <input type="checkbox"/>	+ \$0

Pencil Cup

CY100.



Product Information

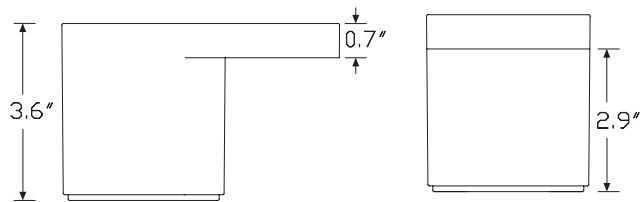
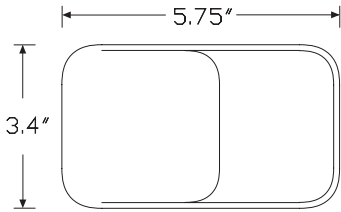
Description

The pencil cup is designed to hold pencils, pens, markers, and office tools. It also has an integrated ledge for convenient storage of other small items. It is crafted of high gloss ABS plastic with a silicone base.

Notes

Formwork® is a modular system of containers that may be arranged, stacked, and combined to best organize tools and accessories.

Dimensions



Specification Information

Step 1.

CY100. \$23

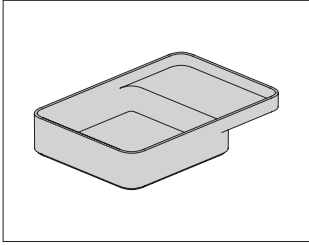
Step 2. Finish

CRT concrete +\$0

NYX onyx +\$0

Tray

CY101.



HermanMiller Collection—Accessories

Product Information

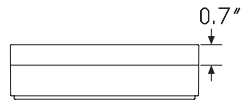
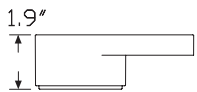
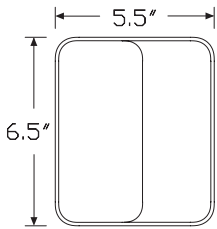
Description

These stackable trays are designed to hold small office tools and personal items, and have an integrated ledge for convenient storage of other objects such as business cards or a pad of sticky notes. They are crafted of high gloss ABS plastic with a silicone base.

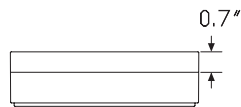
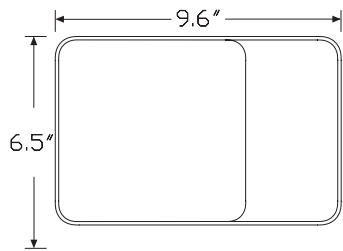
Notes

Formwork® is a modular system of containers that may be arranged, stacked, and combined to best organize tools and accessories.

Dimensions



Tray-Small



Tray-Large

Specification Information

Step 1.

CY101.

Step 2. Size

S small

L large

Prices for Steps 1-2.

CY101. S	\$25
L	\$32

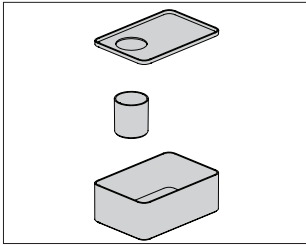
Step 3. Finish

CRT concrete +\$0

NYX onyx +\$0

Box

CY102.



Product Information

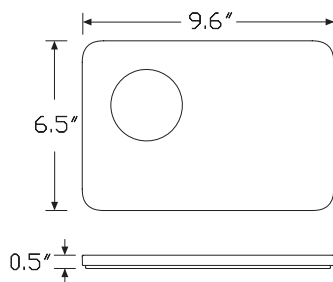
Description

These stackable boxes are designed to hold office tools and personal items, and have a cup for convenient storage of other objects such as paper clips, tacks, and loose change. They are crafted of high gloss ABS plastic with a silicone base.

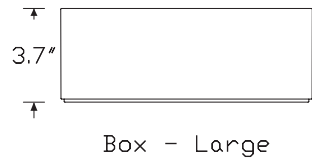
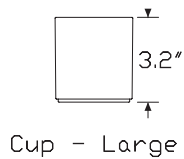
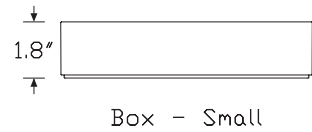
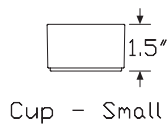
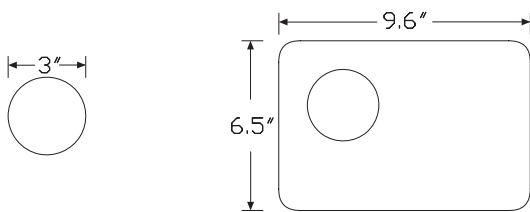
Notes

Formwork® is a modular system of containers that may be arranged, stacked, and combined to best organize tools and accessories.

Dimensions



Lid



Specification Information

Step 1.

CY102.

Step 2. Size

- S** small
- L** large

Prices for Steps 1-2.

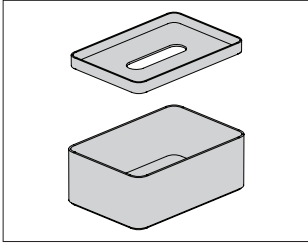
CY102. S	\$55
L	\$67

Step 3. Finish

CRT concrete	+\$0
NYX onyx	+\$0

Tissue Box

CY103.



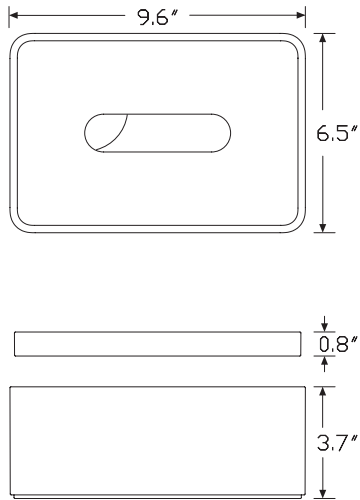
HermanMiller Collection—Accessories

Product Information

Description
The tissue box is crafted of high gloss ABS plastic with a silicone base.

Notes
Formwork® is a modular system of containers that may be arranged, stacked, and combined to best organize tools and accessories.

Dimensions



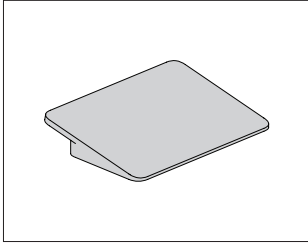
Specification Information

Step 1.
CY103. \$65

Step 2. Finish
CRT concrete +\$0
NYX onyx +\$0

Media Stand

CY104.



Product Information

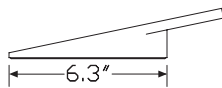
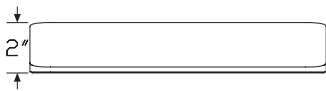
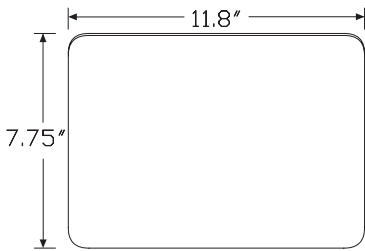
Description

The media stand supports tablets, notebooks, and small laptops. It is crafted of high gloss ABS plastic with a silicone top.

Notes

Formwork® is a modular system of containers that may be arranged, stacked, and combined to best organize tools and accessories.

Dimensions



Specification Information

Step 1.

CY104. \$70

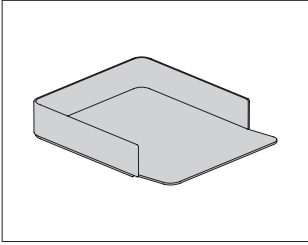
Step 2. Finish

CRT concrete +\$0

NYX onyx +\$0

Paper Tray

CY105.



HermanMiller Collection—Accessories

Product Information

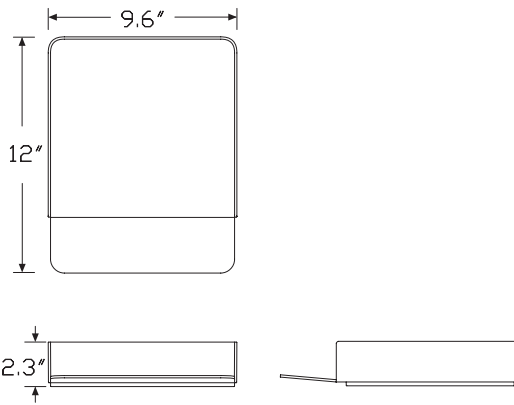
Description

This stackable paper tray is crafted of high gloss ABS plastic.

Notes

Formwork® is a modular system of containers that may be arranged, stacked, and combined to best organize tools and accessories.

Dimensions



Specification Information

Step 1.

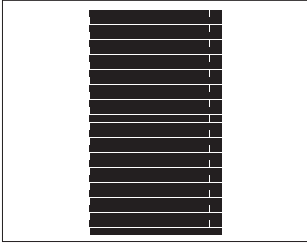
CY105. \$30

Step 2. Finish

CRT concrete +\$0

NYX onyx +\$0

Environmental Enrichment Panel, EE925
Brick



Product Information

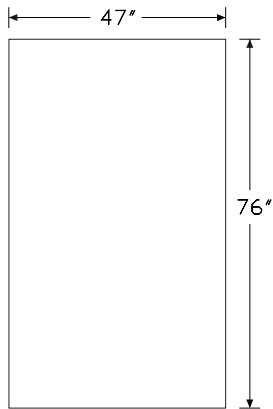
Description

This environmental enrichment panel is 47" x 76" and is screen printed by hand on 100% linen fabric. Mounted on an MDF panel with a spacer frame and hardware, it is easy to install on a wall.

Notes

Mounted panel is stretched over MDF with a frame and sawtooth hanging clip.

Dimensions



Specification Information

Step 1.

EE A

Step 2. Form

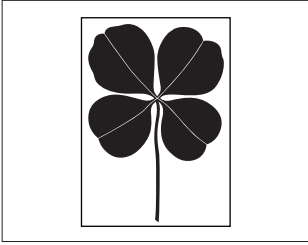
925 mounted A

Prices for Steps 1-2.

EE925

\$1772

Environmental Enrichment Panel, EE929
Four Leaf Clover



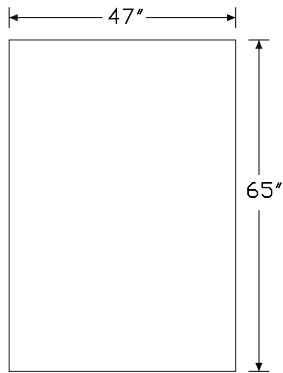
HermanMiller Collection—Accessories

Product Information

Description
This environmental enrichment panel is 47" x 65" and is screen printed by hand on 100% linen fabric. Mounted on an MDF panel with a spacer frame and hardware, it is easy to install on a wall.

Notes
Mounted panel is stretched over MDF with a frame and sawtooth hanging clip.

Dimensions



Specification Information

Step 1.

EE A

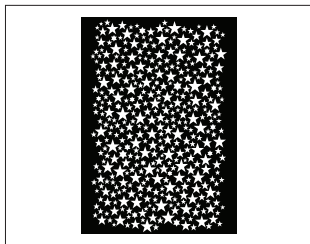
Step 2. Form

929 mounted A

Prices for Steps 1-2.

EE929 \$1632

Environmental Enrichment Panel, Stars EE913



Product Information

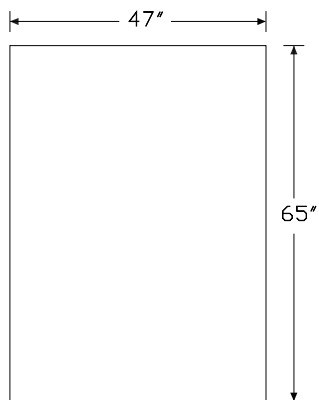
Description

This environmental enrichment panel is 47" x 65" and is screen printed by hand on 100% linen fabric. Mounted on an MDF panel with a spacer frame and hardware, it is easy to install on a wall.

Notes

Mounted panel is stretched over MDF with a frame and sawtooth hanging clip.

Dimensions



Specification Information

Step 1.

EE A

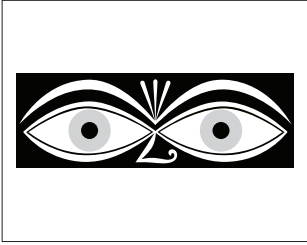
Step 2. Form

913 mounted A

Prices for Steps 1-2.

EE913 \$1632

Environmental Enrichment Panel, EE914 Eyes



HermanMiller Collection—Accessories

Product Information

Description
This environmental enrichment panel is 47" x 16" and is screen printed by hand on 100% linen fabric. Mounted on an MDF panel with a spacer frame and hardware, it is easy to install on a wall.

Notes
Mounted panel is stretched over MDF with a frame and sawtooth hanging clip.

Dimensions

Specification Information

Step 1.

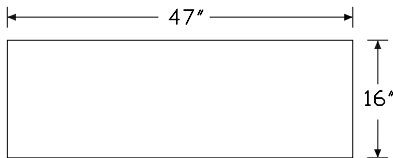
EE **A**

Step 2. Form

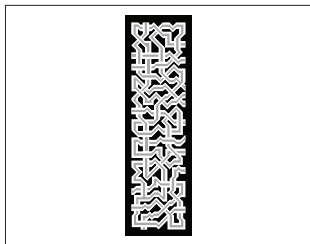
914 mounted **A**

Prices for Steps 1-2.

EE914 **\$1334**



Environmental Enrichment Panel, EE943
Ribbons



Product Information

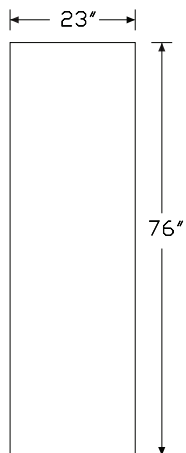
Description

This environmental enrichment panel is 23" x 76" and is screen printed by hand on 100% linen fabric. Mounted on an MDF panel with a spacer frame and hardware, it is easy to install on a wall.

Notes

Mounted panel is stretched over MDF with a frame and sawtooth hanging clip.

Dimensions



Specification Information

Step 1.

EE A

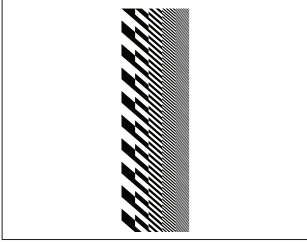
Step 2. Form

943 mounted A

Prices for Steps 1-2.

EE943 \$1598

Environmental Enrichment Panel, EE937 Diagonals



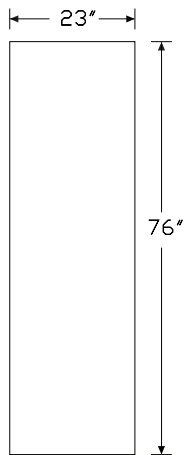
HermanMiller Collection—Accessories

Product Information

Description
This environmental enrichment panel is 23" x 76" and is screen printed by hand on 100% linen fabric. Mounted on an MDF panel with a spacer frame and hardware, it is easy to install on a wall.

Notes
Mounted panel is stretched over MDF with a frame and sawtooth hanging clip.

Dimensions



Specification Information

Step 1.

EE **A**

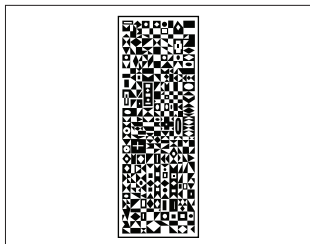
Step 2. Form

937 mounted **A**

Prices for Steps 1-2.

EE937 **\$1441**

Environmental Enrichment Panel, EE908 Geometry



Product Information

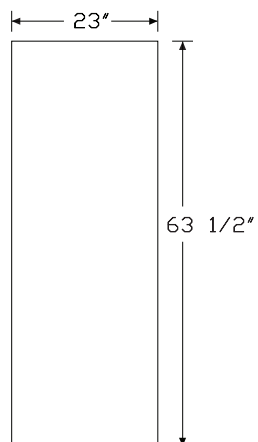
Description

This environmental enrichment panel is 23" x 63 1/2" and is screen printed by hand on 100% linen fabric. Mounted on an MDF panel with a spacer frame and hardware, it is easy to install on a wall.

Notes

Mounted panel is stretched over MDF with a frame and sawtooth hanging clip.

Dimensions



Specification Information

Step 1.

EE A

Step 2. Form

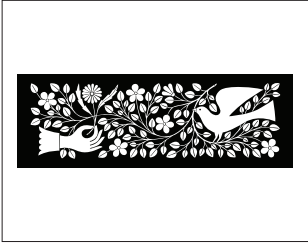
908 mounted A

Prices for Steps 1-2.

EE908

\$1368

Environmental Enrichment Panel, EE907
Hand & Dove



HermanMiller Collection—Accessories

Product Information

Description
This environmental enrichment panel is 47" x 16" and is screen printed by hand on 100% linen fabric. Mounted on an MDF panel with a spacer frame and hardware, it is easy to install on a wall.

Notes
Mounted panel is stretched over MDF with a frame and sawtooth hanging clip.

Dimensions

Specification Information

Step 1.

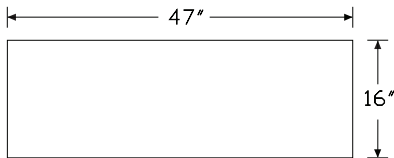
EE A

Step 2. Form

907 mounted A

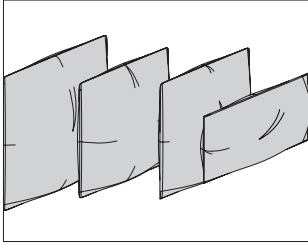
Prices for Steps 1-2.

EE907 \$998



Geiger Textile Pillow

PTA
PTB
PTC
PTD

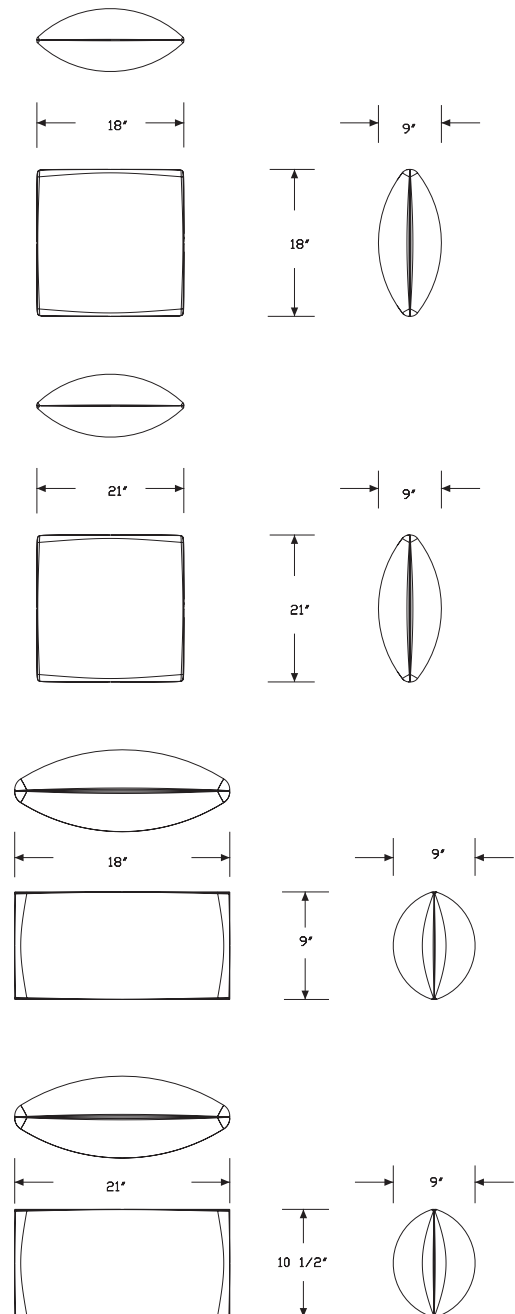


Product Information

Description

These pillows are available in 4 sizes. All pillows are filled with 95% duck feather and 5% duck down.

Dimensions



Geiger Textile Pillow *continued*

Specification Information

Step 1.

PT A

Step 2. Size

A 9" high x 18" long A

B 18" high x 18" long A

C 10.5" high x 21" long A

D 21" high x 21" long A

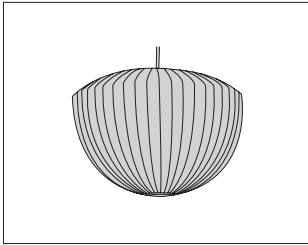
Prices for Steps 1-2.

PTA	\$150
PTB	\$180
PTC	\$160
PTD	\$225

Step 3. Fabric

Price Category (Geiger) 3	+\$30
Price Category (Geiger) 4	+\$36
Price Category (Geiger) 5	+\$53
Price Category (Geiger) 6	+\$69
Price Category (Geiger) 7	+\$86
Price Category (Geiger) 8	+\$131
Price Category (Geiger) 9	+\$163

Nelson™ Apple Bubble Pendant H766M



Product Information

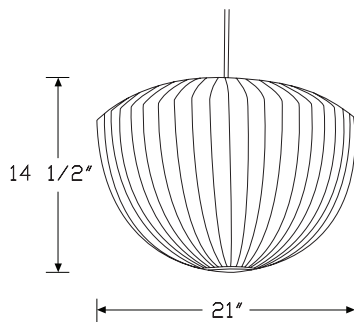
Description

The Nelson™ Apple Bubble Pendant comes with a 5 1/4" brushed, nickel-plated steel ceiling plate and a 10' cord. Bulb not included. 150W/120V. UL listed.

Notes

UL rated for bulbs up to 150 watts.

Dimensions



Specification Information

Step 1.

H766

Step 2. Size

M medium

Prices for Steps 1-2.

H766M

\$575

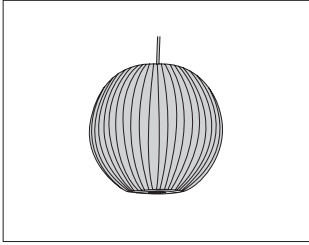
Step 3. Trim Finish

BNS brushed nickel

+\$0

Nelson™ Ball Bubble Pendant

H761L
H761M
H761S



HermanMiller Collection—Lighting

Product Information

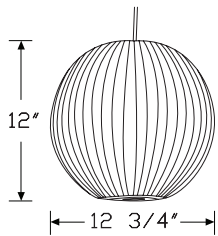
Description

The Nelson™ Ball Bubble Pendant is available in 3 sizes. Each lamp comes with a 5 1/4" brushed, nickel-plated steel ceiling plate and a 10' cord. Bulb not included. 150W/120V. UL listed.

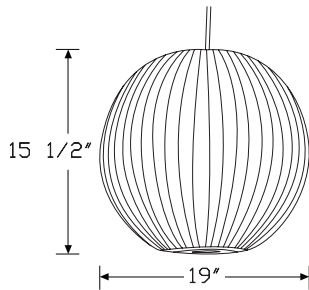
Notes

UL rated for bulbs up to 150 watts.

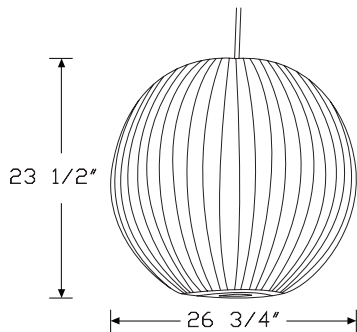
Dimensions



Small



Medium



Large

Specification Information

Step 1.

H761

Step 2. Size

- S** small
- M** medium
- L** large

Prices for Steps 1-2.

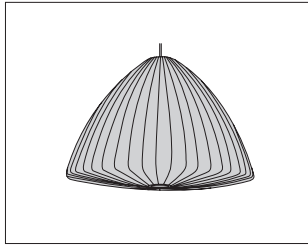
H761S	\$460
H761M	\$575
H761L	\$650

Step 3. Trim Finish

BNS brushed nickel	+ \$0
---------------------------	-------

Nelson™ Bell Bubble Pendant

BELLX



Product Information

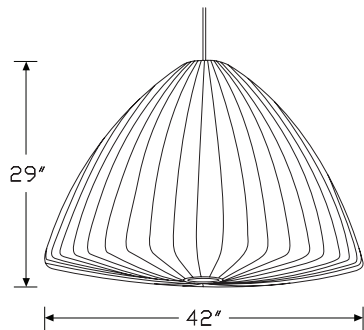
Description

The extra-large Nelson™ Bell Bubble Pendant comes with a 5 1/4" brushed, nickel-plated steel ceiling plate and a 9' cord. Bulb not included. 150W/120V. UL listed.

Notes

UL rated for bulbs up to 150 watts.

Dimensions



Specification Information

Step 1.

BELL

Step 2. Size

XL x-large

Prices for Steps 1-2.

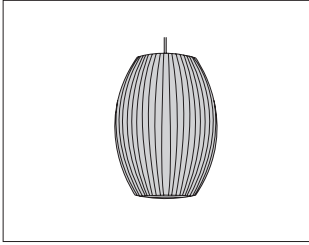
BELLXL \$1370

Step 3. Trim Finish

BNS brushed nickel +\$0

Nelson™ Cigar Bubble Pendant

H762L
H762M
H762S
H762X



Product Information

Description

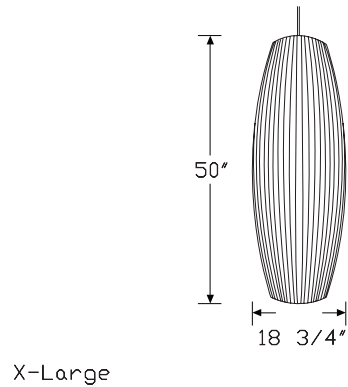
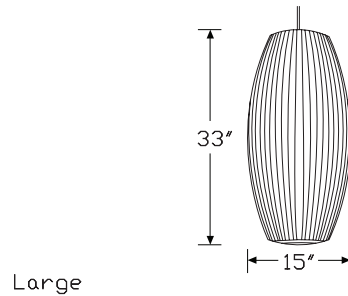
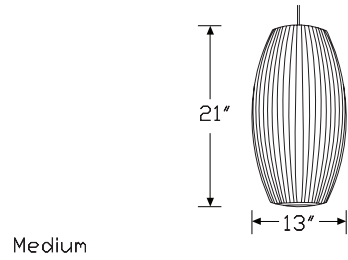
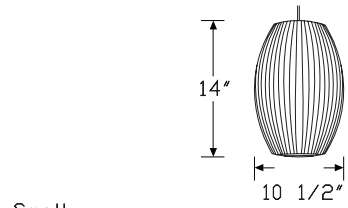
The Nelson™ Cigar Bubble Pendant is available in 4 sizes. Each lamp comes with a 5 1/4" brushed, nickel-plated steel ceiling plate and a 10' cord. Bulb not included. 150W/120V. UL listed.

Notes

UL rated for bulbs up to 150 watts.

HermanMiller Collection—Lighting

Dimensions



Nelson™ Cigar Bubble Pendant

continued

Specification Information

Step 1.

H762

Step 2. Size

S small

M medium

L large

XL x-large

Prices for Steps 1-2.

H762S \$460

H762M \$575

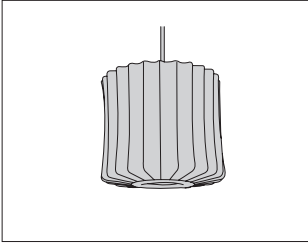
H762L \$650

H762XL \$1370

Step 3. Trim Finish

BNS brushed nickel +\$0

Nelson™ Lantern Bubble Pendant H737S



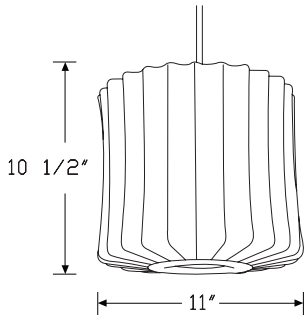
HermanMiller Collection—Lighting

Product Information

Description
 The Nelson™ Lantern Bubble Pendant comes with a 5 1/4" brushed, nickel-plated steel ceiling plate and a 10' cord. Bulb not included. 150W/120V. UL listed.

Notes
 UL rated for bulbs up to 150 watts.

Dimensions



Specification Information

Step 1.

H737

Step 2. Size

S small

Prices for Steps 1-2.

H737S \$460

Step 3. Trim Finish

BNS brushed nickel +\$0

Nelson™ Pear Bubble Pendant

H770M
H770S



Product Information

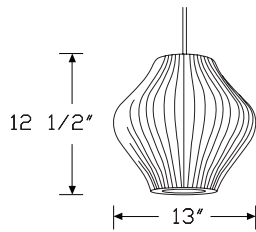
Description

The Nelson™ Pear Bubble Pendant is available in 2 sizes. Each lamp comes with a 5 1/4" brushed, nickel-plated steel ceiling plate and a 10' cord. Bulb not included. 150W/120V. UL listed.

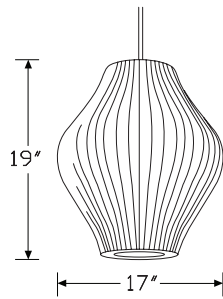
Notes

UL rated for bulbs up to 150 watts.

Dimensions



Small



Medium

Specification Information

Step 1.

H770

Step 2. Size

- S** small
- M** medium

Prices for Steps 1-2.

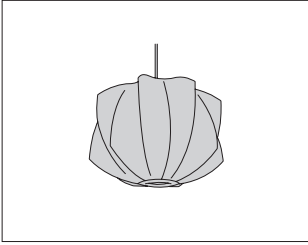
H770S	\$460
H770M	\$575

Step 3. Trim Finish

BNS brushed nickel	+\$0
---------------------------	------

Nelson™ Propeller Bubble
Pendant

PROP



HermanMiller Collection—Lighting

Product Information

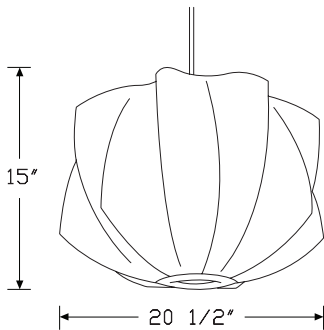
Description

The Nelson™ Propeller Bubble Pendant comes with a 5 1/4" brushed, nickel-plated steel ceiling plate and a 10' cord. Bulb not included. 150W/120V. UL listed.

Notes

UL rated for bulbs up to 150 watts.

Dimensions



Specification Information

Step 1.

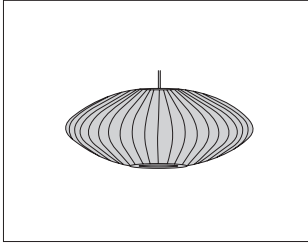
PROP \$575

Step 2. Trim Finish

BNS brushed nickel +\$0

Nelson™ Saucer Bubble Pendant

H763L
H763M
H763S
H763X



Product Information

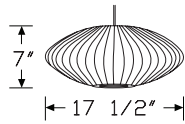
Description

The Nelson™ Saucer Bubble Pendant is available in 4 sizes. Each lamp comes with a 5 1/4" brushed, nickel-plated steel ceiling plate and a 10' cord. The extra-large lamp has a 9' cord. Bulb not included. 150W/120V for medium, large and extra-large saucers; 60W/120V for small saucers. UL listed.

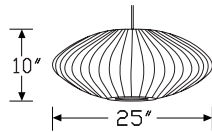
Notes

UL rated for bulbs up to 150 watts; small saucer 60W/120V and UL rated for bulbs up to 60 watts.

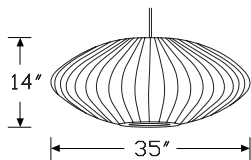
Dimensions



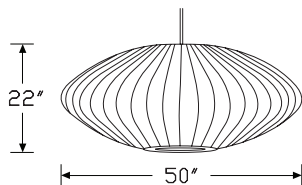
Small



Medium



Large



Extra Large

Specification Information

Step 1.

H763

Step 2. Size

S small
M medium
L large
XL x-large

Prices for Steps 1-2.

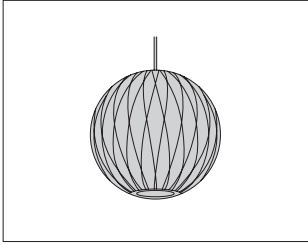
H763S	\$460
H763M	\$575
H763L	\$650
H763XL	\$1370

Step 3. Trim Finish

BNS brushed nickel +\$0

Nelson™ Ball Crisscross Bubble
Pendant

H761C



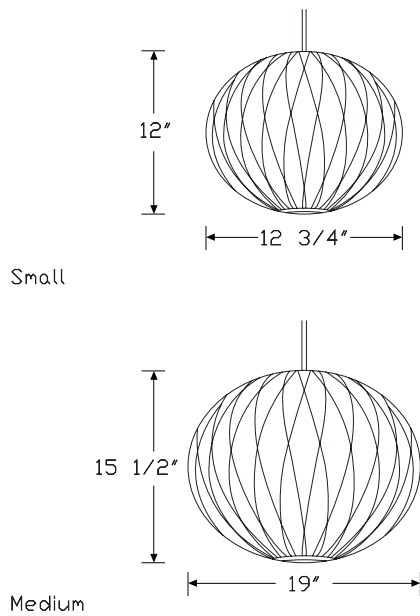
HermanMiller Collection—Lighting

Product Information

Description
The Nelson™ Ball Crisscross Bubble Pendant is available in 2 sizes. Each lamp comes with a 5 1/4" brushed, nickel-plated steel ceiling plate and a 10' cord. Bulb not included. 150W/120V. UL listed.

Notes
UL rated for bulbs up to 150 watts.

Dimensions



Specification Information

Step 1.

H761CC

Step 2. Size

- S** small
- M** medium

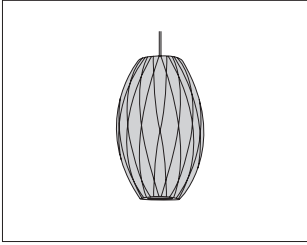
Prices for Steps 1-2.

H761CC S	\$460
M	\$575

Step 3. Trim Finish

BNS brushed nickel	+\$0
---------------------------	------

Nelson™ Cigar Crisscross Bubble Pendant H762C



Product Information

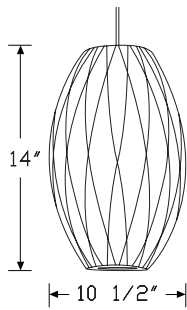
Description

The Nelson™ Cigar Crisscross Bubble Pendant is available in 2 sizes. Each lamp comes with a 5 1/4" brushed, nickel-plated steel ceiling plate and a 10' cord. Bulb not included. 150W/120V. UL listed.

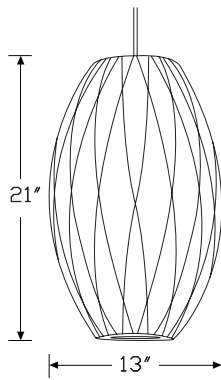
Notes

UL rated for bulbs up to 150 watts.

Dimensions



Small



Medium

Specification Information

Step 1.

H762CC

Step 2. Size

- S** small
- M** medium

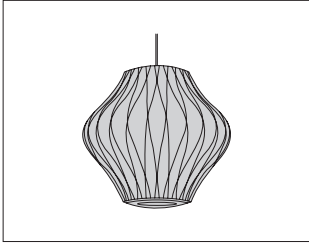
Prices for Steps 1-2.

H762CC S	\$460
M	\$575

Step 3. Trim Finish

BNS brushed nickel	+\$0
---------------------------	------

Nelson™ Pear Crisscross Bubble Pendant H770C



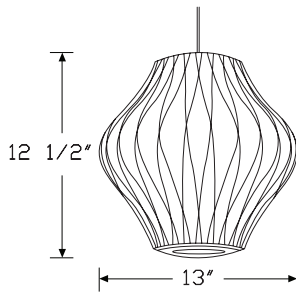
HermanMiller Collection—Lighting

Product Information

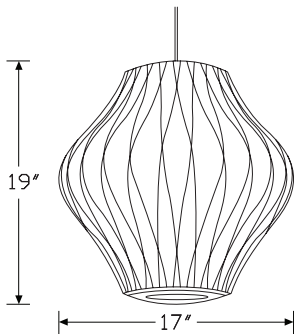
Description
 The Nelson™ Pear Crisscross Bubble Pendant is available in 2 sizes. Each lamp comes with a 5 1/4" brushed, nickel-plated steel ceiling plate and a 10' cord. Bulb not included. 150W/120V. UL listed.

Notes
 UL rated for bulbs up to 150 watts.

Dimensions



Small



Medium

Specification Information

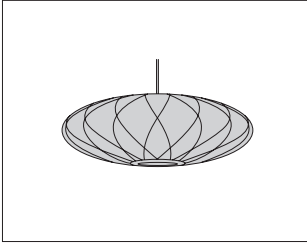
Step 1.
H770CC

Step 2. Size
S small
M medium

Prices for Steps 1-2.
H770CC S \$460
M \$575

Step 3. Trim Finish
BNS brushed nickel +\$0

Nelson™ Saucer Crisscross Bubble H763C
Pendant



Product Information

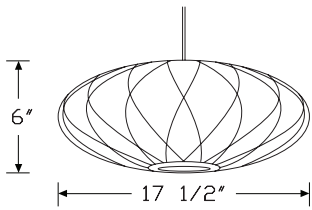
Description

The Nelson™ Saucer Crisscross Bubble Pendant is available in 2 sizes. Each lamp comes with a 5 1/4" brushed, nickel-plated steel ceiling plate and a 10' cord. Bulb not included. 150W/120V for medium saucers; 60W/120V for small saucers. UL listed.

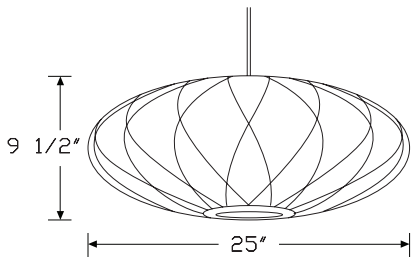
Notes

UL rated for bulbs up to 150 watts; small saucer 60W/120V and UL rated for bulbs up to 60 watts.

Dimensions



Small



Medium

Specification Information

Step 1.

H763CC

Step 2. Size

- S** small
- M** medium

Prices for Steps 1-2.

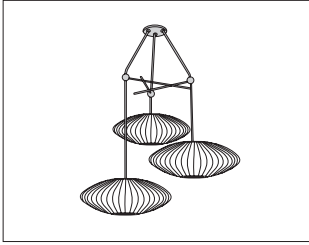
H763CC S \$460
M \$575

Step 3. Trim Finish

BNS brushed nickel +\$0

Nelson™ Triple Bubble Lamp Fixture

B-3-7



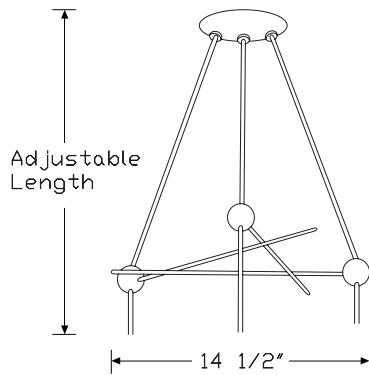
HermanMiller Collection—Lighting

Product Information

Description
This lamp fixture comes with a 5 1/4" brushed, nickel-plated steel ceiling plate for mounting and metal rods with walnut spheres spaced 14 1/2" apart. Nelson™ Bubble lamps with cord are sold separately.

Notes
For use with this fixture, Bubble Lamp pendants should be 19" in diameter or smaller.

Dimensions

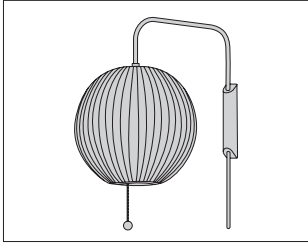


Specification Information

Step 1.	
B-3-740	\$250
Step 2. Finish	
BNS brushed nickel	+ \$0

Nelson™ Ball Wall Sconce

H761S



Product Information

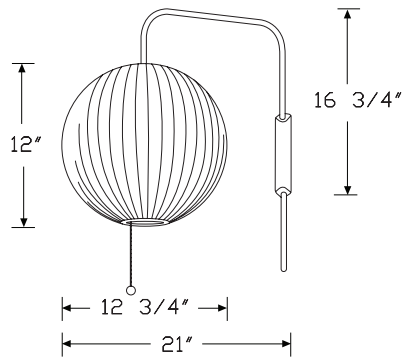
Description

The Nelson™ Ball Wall Sconce has a 2"-thick solid walnut wall mount and a brushed-nickel steel arm that extends out approximately 14". The arm has a swivel hinge and an adjustable 12' plug-in cord with a counterweight that allows for height adjustments. The sconce swivels left-to-right and adjusts vertically without changing its wall-mount position. Ships with bulb included. 150W/120V. UL listed.

Notes

UL rated for bulbs up to 150 watts.

Dimensions



Specification Information

Step 1.

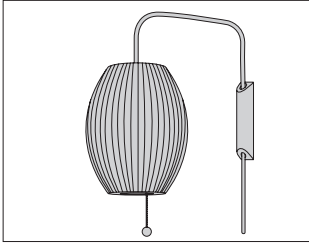
H761SC \$595

Step 2. Bracket Finish

WAL walnut +\$0

Step 3. Arm Finish

BNS brushed nickel +\$0



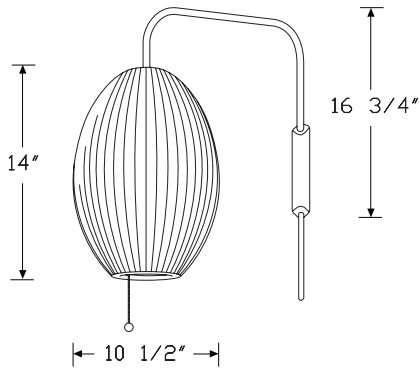
HermanMiller Collection—Lighting

Product Information

Description
 The Nelson™ Cigar Wall Sconce has a 2"-thick solid walnut wall mount and a brushed-nickel steel arm that extends out approximately 14". The arm has a swivel hinge and an adjustable 12' plug-in cord with a counterweight that allows for height adjustments. The sconce swivels left-to-right and adjusts vertically without changing its wall-mount position. Ships with bulb included. 150W/120V. UL listed.

Notes
 UL rated for bulbs up to 150 watts.

Dimensions

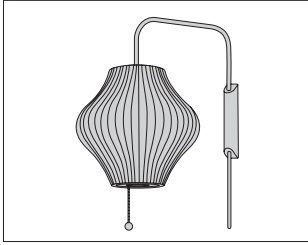


Specification Information

Step 1.	
H762SC	\$595
Step 2. Bracket Finish	
WAL walnut	+\$0
Step 3. Arm Finish	
BNS brushed nickel	+\$0

Nelson™ Pear Wall Sconce

H770S



Product Information

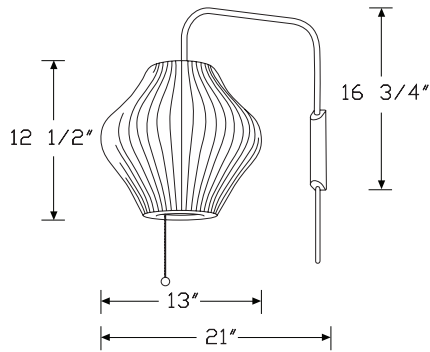
Description

The Nelson™ Pear Wall Sconce has a 2"-thick solid walnut wall mount and a brushed-nickel steel arm that extends out approximately 14". The arm has a swivel hinge and an adjustable 12' plug-in cord with a counterweight that allows for height adjustments. The sconce swivels left-to-right and adjusts vertically without changing its wall-mount position. Ships with bulb included. 150W/120V. UL listed.

Notes

UL rated for bulbs up to 150 watts.

Dimensions



Specification Information

Step 1.

H770SC \$595

Step 2. Bracket Finish

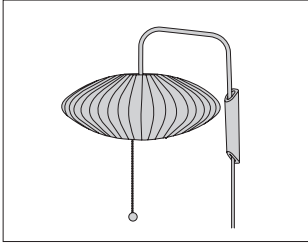
WAL walnut +\$0

Step 3. Arm Finish

BNS brushed nickel +\$0

Nelson™ Saucer Wall Sconce

H763S



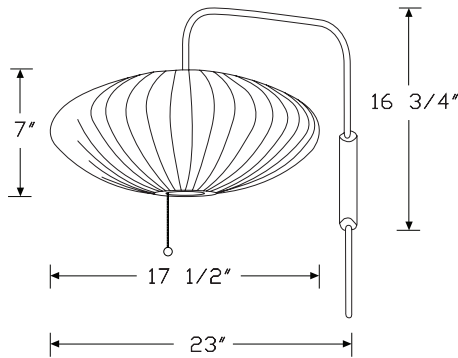
HermanMiller Collection—Lighting

Product Information

Description
 The Nelson™ Saucer Wall Sconce has a 2"-thick solid walnut wall mount and a brushed-nickel steel arm that extends out approximately 14". The arm has a swivel hinge and an adjustable 12' plug-in cord with a counterweight that allows for height adjustments. The sconce swivels left-to-right and adjusts vertically without changing its wall-mount position. Ships with bulb included. 60W/120V. UL listed.

Notes
 UL rated for bulbs up to 60 watts.

Dimensions

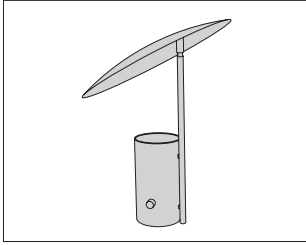


Specification Information

Step 1.	
H763SC	\$595
Step 2. Bracket Finish	
WAL walnut	+\$0
Step 3. Arm Finish	
BNS brushed nickel	+\$0

Half Nelson™ Lamp

HALFN

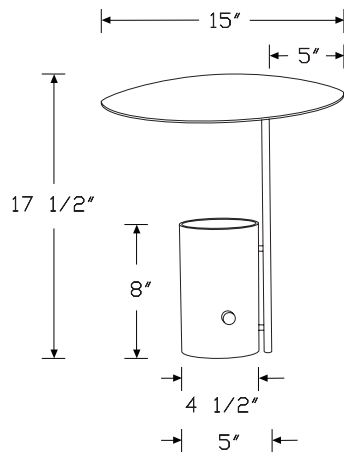


Product Information

Description

The Nelson™ Half Nelson Table Lamp has a pivoting shade that adjusts both left and right, and up and down, to direct light in all directions. The cylinder base is aluminum with a black line-grained anodized finish. The top of the spun aluminum shade has a black line-grained anodized finish, and the underside has a powder-coated white finish. The shade stem is chromed aluminum. The on/off switch is machined anodized aluminum. Black cord is 100" long. Bulb not included. 40W/120V.

Dimensions



Specification Information

Step 1.

HALFNEL A

\$600

Nelson™ Ball Lotus Table Lamp H761L

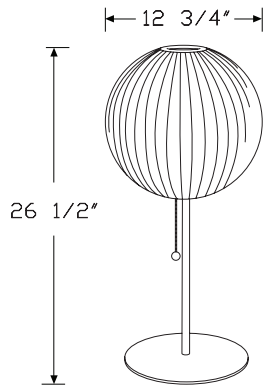


HermanMiller Collection—Lighting

Product Information

Description
 The Nelson™ Ball Lotus Table Lamp has an 8"-diameter brushed nickel-plated steel base available with or without a walnut cover. The lamp has an on/off pull chain with a solid walnut end. Cord is 86" long. 150W/120V. Ships with bulb included.

Dimensions



Specification Information

Step 1.

H761LT A

Step 2. Size

S small A

Prices for Steps 1-2.

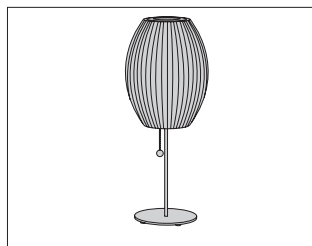
H761LT S \$560

Step 3. Base Finish

BNS brushed nickel A +\$0

WAL walnut A +\$70

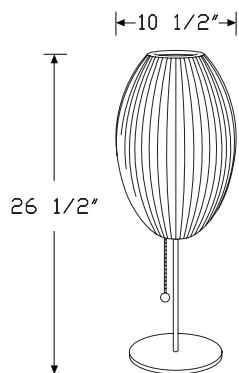
Nelson™ Cigar Lotus Table Lamp H762L



Product Information

Description
 The Nelson™ Cigar Lotus Table Lamp has an 8"-diameter brushed nickel-plated steel base available with or without a walnut cover. The lamp has an on/off pull chain with a solid walnut end. Cord is 86" long. 150W/120V. Ships with bulb included.

Dimensions



Specification Information

Step 1.

H762LT A

Step 2. Size

S small A

Prices for Steps 1-2.

H762LT S \$560

Step 3. Base Finish

BNS brushed nickel A +\$0

WAL walnut A +\$70

Herman Miller Collection—Lighting

Nelson™ Pear Lotus Table Lamp H770L

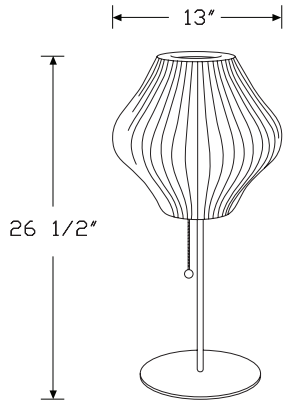


HermanMiller Collection—Lighting

Product Information

Description
 The Nelson™ Pear Lotus Table Lamp has an 8"-diameter brushed nickel-plated steel base available with or without a walnut cover. The lamp has an on/off pull chain with a solid walnut end. Cord is 86" long. 150W/120V. Ships with bulb included.

Dimensions



Specification Information

Step 1.

H770LT A

Step 2. Size

S small A

Prices for Steps 1-2.

H770LT S \$560

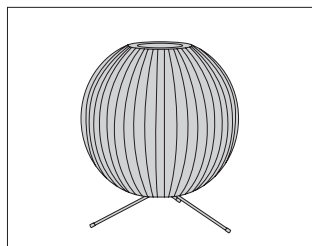
Step 3. Base Finish

BNS brushed nickel A +\$0

WAL walnut A +\$70

Nelson™ Ball Tripod Lamp

H761T



Product Information

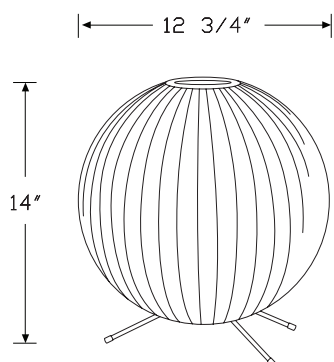
Description

The Nelson™ Ball Tripod Lamp has a durable, brushed nickel-plated steel stand, an on/off switch, and a 90" cord. Ships with bulb included. 150W/120V. UL listed.

Notes

UL rated for bulbs up to 150 watts.

Dimensions



Specification Information

Step 1.

H761T

Step 2. Size

S small

Prices for Steps 1-2.

H761T S

\$510

Step 3. Base Finish

BNS brushed nickel

+\$0

Nelson™ Cigar Tripod Lamp

H762T



HermanMiller Collection—Lighting

Product Information

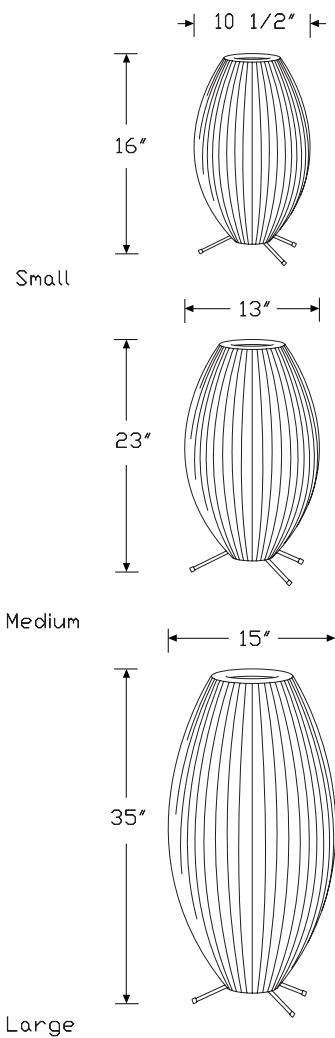
Description

The Nelson™ Cigar Tripod Lamp is available in 3 sizes. It has a durable, brushed nickel-plated steel stand, an on/off switch, and a 90" cord. Ships with bulb included. 150W/120V. UL listed.

Notes

UL rated for bulbs up to 150 watts.

Dimensions



Specification Information

Step 1.

H762T

Step 2. Size

- S** small
- M** medium
- L** large

Prices for Steps 1-2.

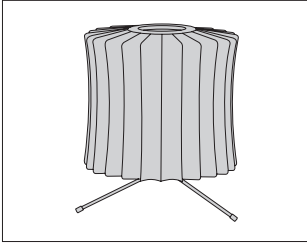
H762T S	\$510
M	\$625
L	\$625

Step 3. Base Finish

BNS brushed nickel	+ \$0
---------------------------	-------

Nelson™ Lantern Tripod Lamp

H737T



Product Information

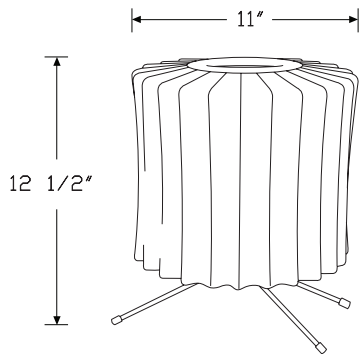
Description

The Nelson™ Lantern Tripod Lamp has a durable, brushed nickel-plated steel stand, an on/off switch, and a 90" cord. Ships with bulb included. 150W/120V. UL listed.

Notes

UL rated for bulbs up to 150 watts.

Dimensions



Specification Information

Step 1.

H737T

Step 2. Size

S small

Prices for Steps 1-2.

H737T S \$510

Step 3. Base Finish

BNS brushed nickel +\$0

Nelson™ Pear Tripod Lamp

H770T



HermanMiller Collection—Lighting

Product Information

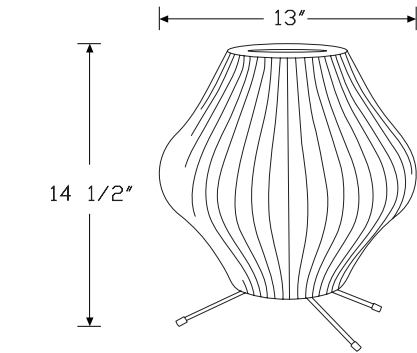
Description

The Nelson™ Pear Tripod Lamp is available in 2 sizes. It has a durable, brushed nickel-plated steel stand, an on/off switch, and a 90" cord. Ships with bulb included. 150W/120V. UL listed.

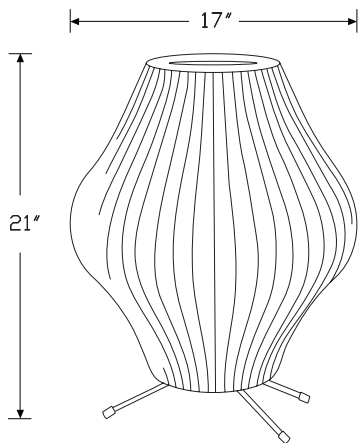
Notes

UL rated for bulbs up to 150 watts.

Dimensions



Small



Medium

Specification Information

Step 1.

H770T

Step 2. Size

- S** small
- M** medium

Prices for Steps 1-2.

H770T S	\$510
M	\$625

Step 3. Base Finish

BNS brushed nickel	+ \$0
---------------------------	-------

Nelson™ Cigar Lotus Floor Lamp H762L

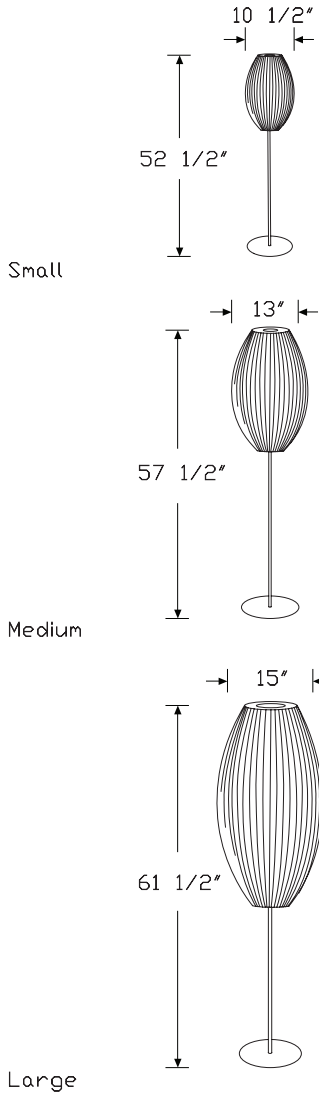


Product Information

Description

The Nelson™ Cigar Lotus Floor Lamp is available in 3 sizes. It has a 10"-diameter brushed nickel-plated steel stand with a 6½-pound base for stability, available with or without a walnut cover. The lamp has an on/off floor switch and a 9' cord. Ships with bulb included. 150W/120V.

Dimensions



Specification Information

Step 1.

H762LF A

Step 2. Size

S small A

M medium A

L large A

Prices for Steps 1-2.

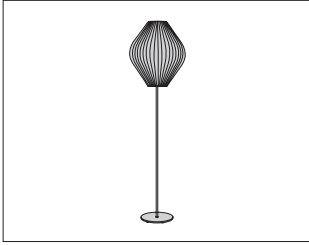
H762LF S	\$650
M	\$775
L	\$850

Step 3. Base Finish

BNS brushed nickel <input type="checkbox"/> A	+\$0
WAL walnut <input type="checkbox"/> A	+\$70

Nelson™ Pear Lotus Floor Lamp

H770L



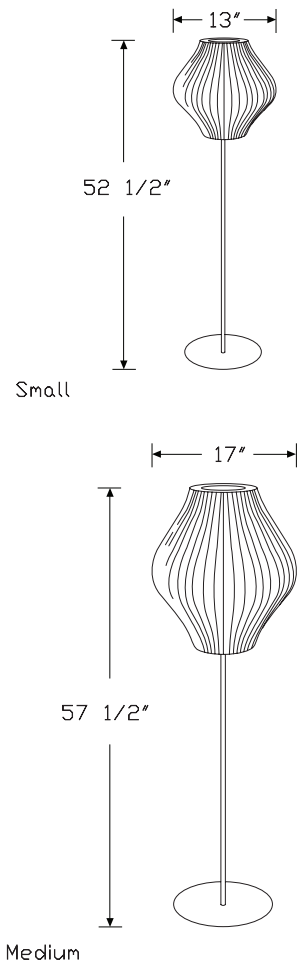
HermanMiller Collection—Lighting

Product Information

Description

The Nelson™ Pear Lotus Floor Lamp is available in 2 sizes. It has a 10"-diameter brushed nickel-plated steel stand with a 6½-pound base for stability, available with or without a walnut cover. Base is brushed nickel and comes with or without a walnut cover. The lamp has an on/off floor switch and a 9' cord. Ships with bulb included. 150W/120V.

Dimensions



Specification Information

Step 1.

H770LF

Step 2. Size

S small

M medium

Prices for Steps 1-2.

H770LF S	\$650
M	\$775

Step 3. Base Finish

BNS brushed nickel +\$0

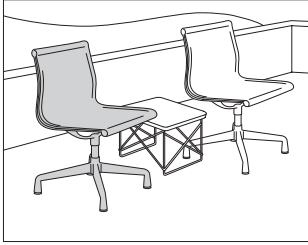
WAL walnut +\$70

Seating

Tables

Eames® Aluminum Group Side
Chair Outdoor

EA506
EA508

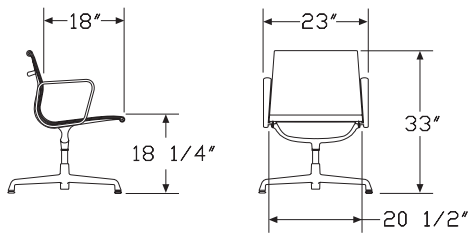


Product Information

Description

This outdoor low back side chair has a lightweight aluminum frame and suspended mesh upholstery. It has a 4-star base with adjustable glides. The chair is available with or without arms.

Dimensions



Specification Information

Step 1.

EA50 A

Step 2. Arms

6 no arms A

8 arms A

Step 3. Swivel

S swivel base A

F fixed base, no swivel A

Prices for Steps 1-3.

EA506 S \$1240
F \$1320

EA508 S \$1640
F \$1720

Step 4. Base/Frame Finish

BK black A +\$91

G2 graphite satin A +\$91

91 white A +\$91

Step 5. Fabric

Price Category 6 +\$179

Eames® Wire Chair Outdoor

DKQR.
DKQX.

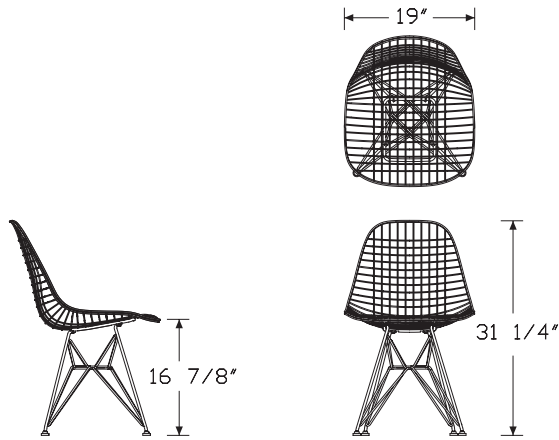


HermanMiller Collection—Outdoor Seating

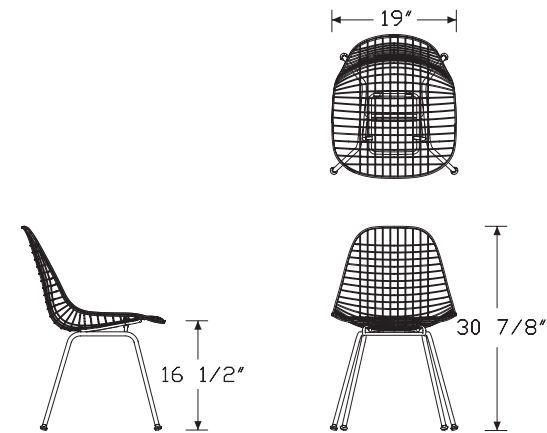
Product Information

Description
This outdoor chair has a wire shell with wire base or 4-leg base. Finish is white or black. Chair comes with standard outdoor glides.

Dimensions



Wire Base



4-Leg Base

Specification Information

Step 1.

DKQ

Step 2. Base

R.0 wire base

X.0 4 leg base

Prices for Steps 1-2.

DKQR.0 \$799

DKQX.0 \$789

Step 3. Seat Frame/Leg Finish

91 white +\$0

BK black +\$0

Step 4. Glide Option

E8 standard glide +\$0

Eames® Wire Stool Outdoor

DKHQBX
DKHQCX

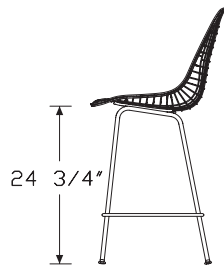
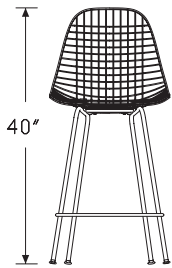
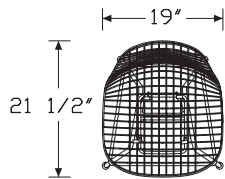


Product Information

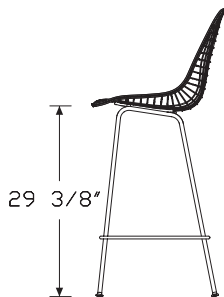
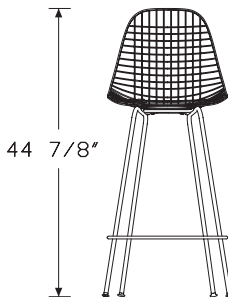
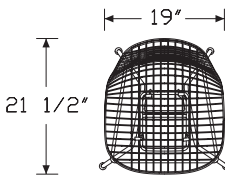
Description

This outdoor stool has a wire shell and is available in bar height or counter height. Finish is white or black. Stool comes with standard outdoor glides.

Dimensions



Counter Height



Bar Height

Specification Information

Step 1.

DKHQ A

Step 2. Base Height

BX. bar height stool A

CX. counter height stool A

Prices for Steps 1-2.

DKHQBX.	\$1075
DKHQCX.	\$1055

Step 3. Seat Frame/Leg Finish

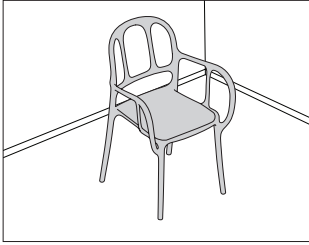
91 white <input type="checkbox"/> A	+\$0
BK black <input type="checkbox"/> A	+\$0

Step 4. Glide Option

E8 standard glide <input type="checkbox"/> A	+\$0
---	------

Mila Chair

XXSD2



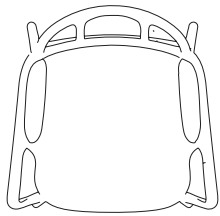
HermanMiller Collection—Outdoor Seating

Product Information

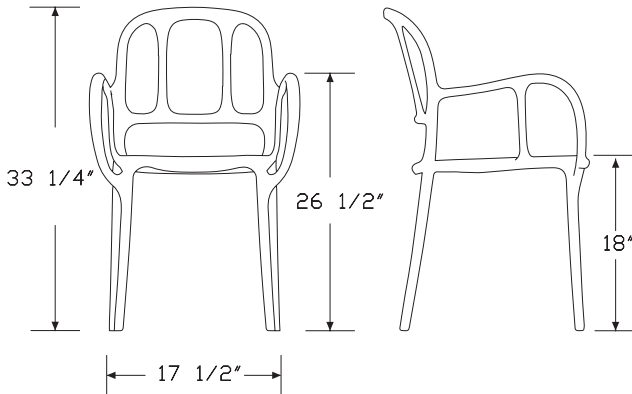
Description

This stacking plastic chair is suitable for indoor or outdoor use. Stacks up to 6 high. Package contains 2 chairs.

Dimensions



← 21 3/4" →



Specification Information

Step 1.

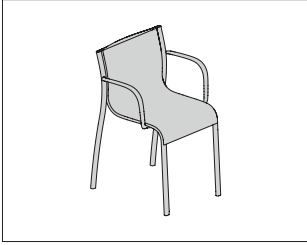
XXSD2100 A \$778

Step 2. Finish

- 1484C** red A +\$0
- 1556C** dark green A +\$0
- 1666C** yellow A +\$0
- 1733C** beige A +\$0
- 1738C** white +\$0
- 1769C** black +\$0

Paso Doble Chair Outdoor

MGP10.

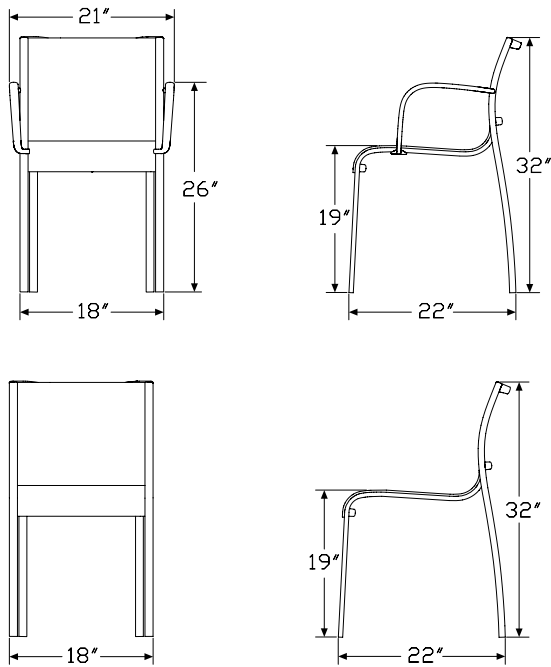


Product Information

Description

This outdoor stacking chair has an aluminum frame and is available with or without arms. The arms and crosspieces come in die-cast aluminum. Chairs can stack up to 5 high. Package contains 2 chairs.

Dimensions



Specification Information

Step 1.

MGP10. A

Step 2. Arms

N no arms A

A arms A

Prices for Steps 1-2.

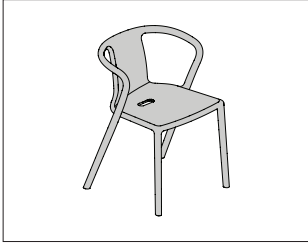
MGP10.N \$1315
A \$1815

Step 3. Chair Color

YKB black A +\$0

Air-Chair

MGA00.



HermanMiller Collection—Outdoor Seating

Product Information

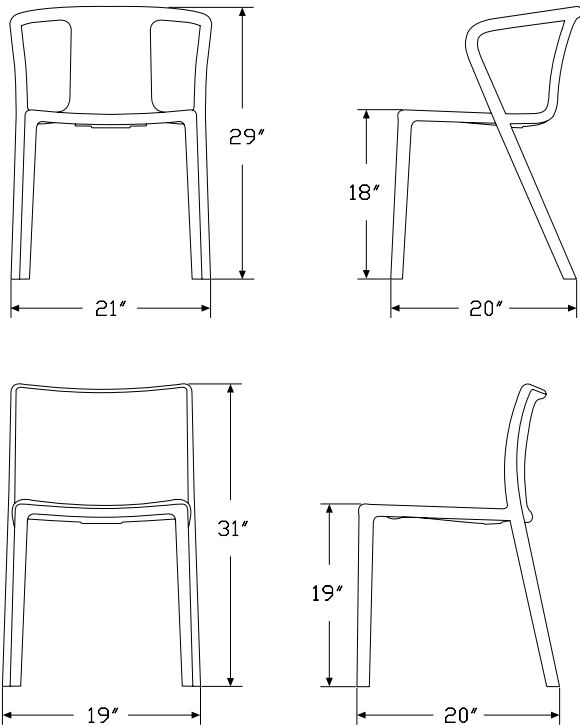
Description

This stacking chair is available with or without arms and is made from polypropylene with glass fibre added. Chairs can stack up to 10 high. Package contains 4 chairs.

Notes

This chair is suitable for outdoor use.

Dimensions



Specification Information

Step 1.

MGA00.

Step 2. Arms

- N** no arms
- A** arms

Prices for Steps 1-2.

MGA00.N	\$773
A	\$858

Step 3. Finish

For no arms (N)

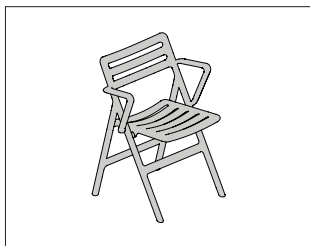
YBB beige A	+\$0
YBC black A	+\$0
YBH green A	+\$0
YBM orange A	+\$0
YBP white	+\$0
PWH pure white A	+\$0

For arms (A)

YBB beige A	+\$0
YBH green A	+\$0
YBJ grey anthracite A	+\$0
YBM orange A	+\$0
YBP white	+\$0
PWH pure white A	+\$0

Air-Folding Chair

MGA01.



Product Information

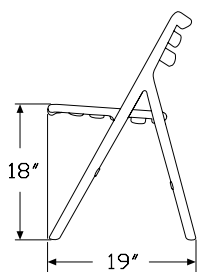
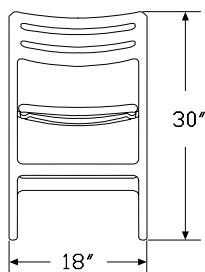
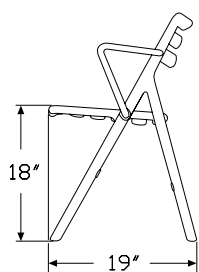
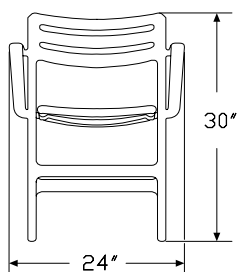
Description

This folding chair is made from polypropylene with glass fibre added. It is available with or without arms. Package contains 2 chairs.

Notes

This chair is suitable for outdoor use.

Dimensions



Specification Information

Step 1.

MGA01.

Step 2. Arms

N no arms

A arms **A**

Prices for Steps 1-2.

MGA01.N	\$428
A	\$474

Step 3. Finish

For no arms (N)

YBH green <input type="checkbox"/> A	+ \$0
YBM orange <input type="checkbox"/> A	+ \$0
YBP white	+ \$0

For arms (A)

YBP white	+ \$0
------------------	-------

Chair_One Stacking Base

MGE00.



HermanMiller Collection—Outdoor Seating

Product Information

Description

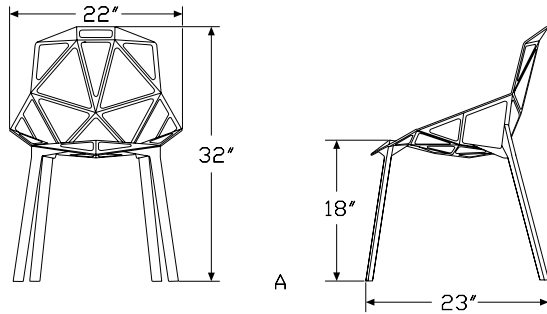
This chair comes with a four-leg base. Chairs can stack up to 8 high. Package contains 2 chairs.

Notes

Chairs with painted aluminum seat and legs or painted aluminum seat/ polished aluminum legs are suitable for outdoor use.

Chairs with polished aluminum seat and legs (AL) are NOT suitable for outdoor use.

Dimensions



Specification Information

Step 1.

MGE00.A [A]

Step 2. Seat/Leg Material

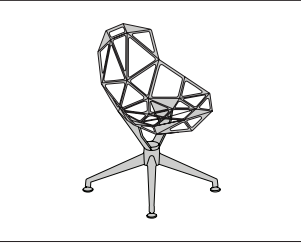
PA painted aluminum seat and legs [A]

Prices for Steps 1-2.

MGE00.A PA \$1150

Step 3. Seat Finish

- YHB** black [A] +\$0
- YHP** white [A] +\$0
- HAA** ADAPTA grey [A] +\$240
- HAB** ADAPTA white [A] +\$240
- HAC** ADAPTA grey/green [A] +\$240
- HAD** ADAPTA blue [A] +\$240



Product Information

Description

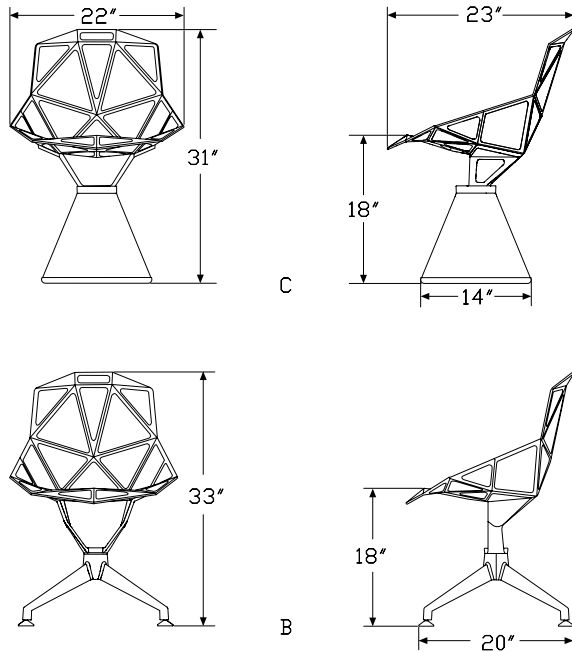
This chair is available with a four-star or concrete base, with or without swivel.

Notes

Chairs with painted aluminum seat and legs (PA) or painted aluminum seat and concrete base (PC) are suitable for outdoor use.

Chairs with polished aluminum seat and legs (AL) or polished aluminum with concrete base (PD) are NOT suitable for outdoor use.

Dimensions



Specification Information

Step 1.

MGE00. [A]

Step 2. Base

- B** 4-star base [A]
- C** concrete base [A]
- D** 4-star base, swivel [A]
- E** concrete base, swivel [A]

Step 3. Seat/Leg Material

For 4-star base (B) or 4-star base, swivel (D)

PA painted aluminum seat and legs [A]

For concrete base (C) or concrete base, swivel (E)

PC painted aluminum seat/natural concrete base [A]

Prices for Steps 1-3.

	PA	PC
MGE00.B	\$730	—
C	—	\$870
D	\$730	—
E	—	\$1130

Step 4. Seat Finish

For 4-star base (B) or 4-star base, swivel (D) with painted aluminum seat and legs (PA)

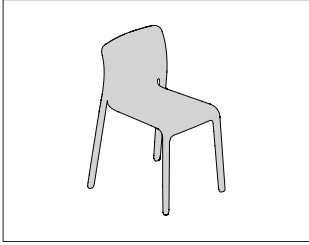
YHB black [A]	+\$0
YHP white [A]	+\$0
HAA ADAPTA grey [A]	+\$240
HAB ADAPTA white [A]	+\$240
HAC ADAPTA grey/green [A]	+\$240
HAD ADAPTA blue [A]	+\$240

For concrete base (C) or concrete base, swivel (E) with painted aluminum seat/natural concrete base (PC)

YHB black [A]	+\$0
YHM red [A]	+\$0
YHP white [A]	+\$0
HAA ADAPTA grey [A]	+\$200
HAB ADAPTA white [A]	+\$200
HAC ADAPTA grey/green [A]	+\$200
HAD ADAPTA blue [A]	+\$200

Chair First

MGF00.



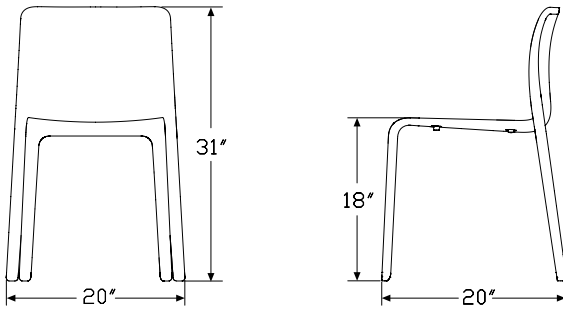
Herman Miller Collection—Outdoor Seating

Product Information

Description
 This stacking chair is made from polypropylene with glass fibre added. Chairs can stack up to 10 high. Package contains 4 chairs.

Notes
 Chair is suitable for outdoor use.

Dimensions



Specification Information

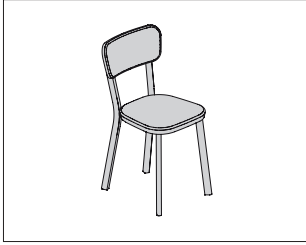
Step 1.
MGF00. A \$1091

Step 2. Finish

YGB	beige	<input type="checkbox"/> A	+\$0
YGC	black	<input type="checkbox"/> A	+\$0
YGH	olive green	<input type="checkbox"/> A	+\$0
YGM	white	<input type="checkbox"/> A	+\$0

Deja-Vu Chair

MGD00.



Product Information

Description

This chair is available in polished or painted aluminum. Painted version is suitable for outdoor use.

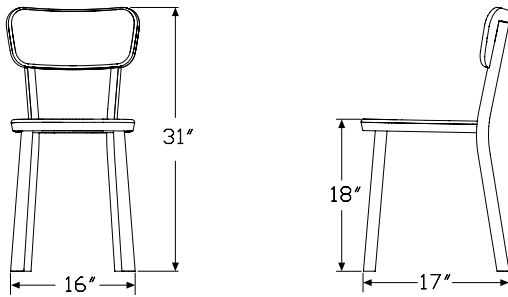
Notes

Seat and inner back material is die-cast aluminum. Legs are extruded aluminum.

Painted aluminum (PA) finish is suitable for outdoor use.

Polished aluminum (AL) finish is NOT suitable for outdoor use.

Dimensions



Specification Information

Step 1.

MGD00. A

Step 2. Finish

AL polished aluminum A

PA painted aluminum

Prices for Steps 1-2.

MGD00.AL	\$755
PA	\$809

Step 3. Leg/Seat/Back Finish

For polished aluminum (AL)

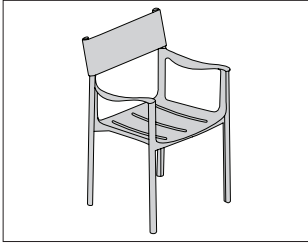
YFD polished aluminum A +\$0

For painted aluminum (PA)

YFB black A +\$0

Venice Chair

MGU00.



HermanMiller Collection—Outdoor Seating

Product Information

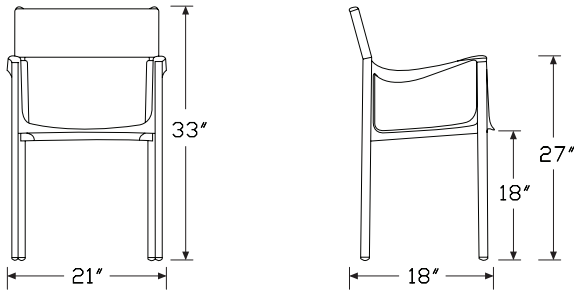
Description

This stacking chair with arms has a seat of die-cast aluminum, polished or painted in polyester powder. Legs are extruded aluminum, polished or painted in polyester powder. Back is thermoplastic rubber or leather. Chairs stack up to 6 high. Painted frame is suitable for outdoor use. Sold in sets of 2 only.

Notes

Polished (YCD) frame is NOT suitable for outdoor use.

Dimensions



Specification Information

Step 1.

MGU00. A \$1431

Step 2. Frame Finish

YNG black A +\$0

YCD polished A +\$1300

Step 3. Seat Finish

For black (YNG)

YBC black A +\$0

YMP grey A +\$0

YBH green A +\$0

YMN light blue A +\$0

YBG fuchsia A +\$0

YBM orange A +\$0

For polished (YCD)

YHC black leather A +\$0

YHK natural leather A +\$0

Eames® Aluminum Group Lounge Chair Outdoor EA516

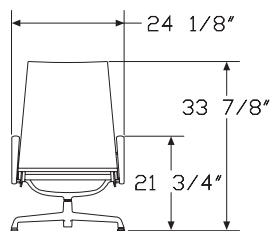
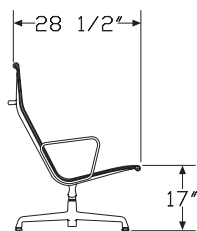


Product Information

Description

This outdoor lounge chair has a lightweight aluminum frame and suspended mesh upholstery. It has a 4-star swiveling base with adjustable glides.

Dimensions



Specification Information

Step 1.

EA516 A \$1900

Step 2. Base/Frame Finish

BK black A +\$140

G2 graphite satin A +\$140

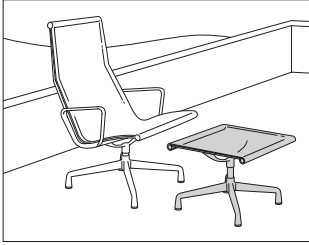
91 white A +\$140

Step 3. Fabric

Price Category 6 +\$236

Eames® Aluminum Group
Ottoman Outdoor

EA523



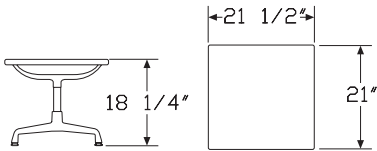
HermanMiller Collection—Outdoor Seating

Product Information

Description

This outdoor ottoman has a lightweight aluminum frame and suspended mesh upholstery. It has a 4-star base with adjustable glides.

Dimensions



Specification Information

Step 1.

EA523 [A] \$910

Step 2. Base/Frame Finish

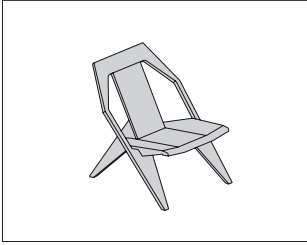
BK black [A] +\$72
G2 graphite satin [A] +\$72
91 white [A] +\$72

Step 3. Fabric

Price Category 6 +\$125

Medici Chair Outdoor

MGM01.



Product Information

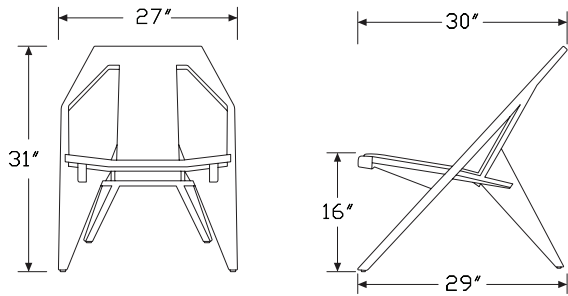
Description

This solid wood chair with armrests is available in natural thermo oiled finish. Suitable for outdoor use.

Notes

Product should be oiled at least once a year to maintain finish quality. Refer to care and maintenance instructions for applying oil based finishes.

Dimensions



Specification Information

Step 1.

MGM01.

Step 3. Frame Finish

ZQK natural thermo oiled

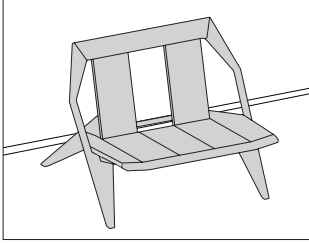
Prices for Steps 1-3.

MGM01.ZQK

\$1895

Medici Bench Outdoor

MGM21.



Herman Miller Collection—Outdoor Seating

Product Information

Description

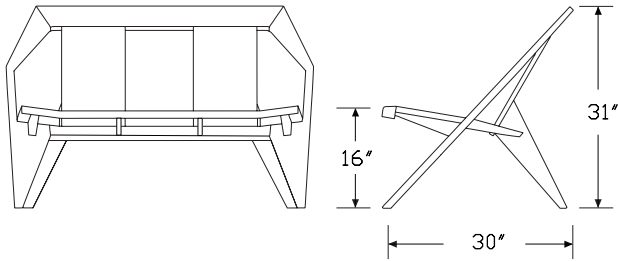
This solid wood bench comes in natural thermo oiled finish. Suitable for outdoor use.

Notes

Product should be oiled at least once per year to maintain finish quality. Refer to care and maintenance instructions for applying oil based finishes.

Dimensions

47 1/4"



Specification Information

Step 1.

MGM21. A

Step 2. Frame Finish

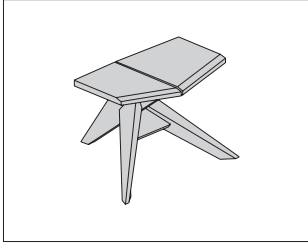
ZQK natural thermo oiled A

Prices for Steps 1-2.

MGM21.ZQK \$3795

Medici Ottoman Outdoor

MGV21.



Product Information

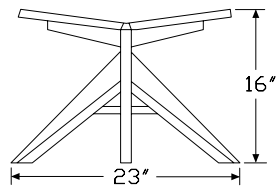
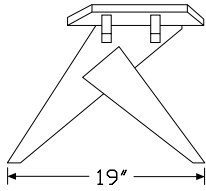
Description

This solid wood stool is available in natural thermo oiled finish. Suitable for outdoor use.

Notes

Product should be oiled at least once a year to maintain finish quality. Refer to care and maintenance instructions for applying oil based finishes.

Dimensions



Specification Information

Step 1.

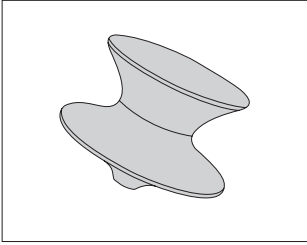
MGV21. [A] \$1012

Step 2. Frame Finish

ZQK natural thermo oiled [A] +\$0

Spun Rotating Chair

MGN00.

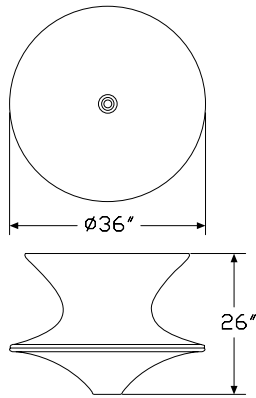


Herman Miller Collection—Outdoor Seating

Product Information

Description
This rotating low chair is made from polyethylene and is suitable for outdoor use.

Dimensions



Specification Information

Step 1.
MGN00. \$825

Step 2. Finish		
YLB	dark purple <input type="checkbox"/> A	+\$0
YLD	red	+\$0
YLG	white <input type="checkbox"/> A	+\$0
YLH	grey anthracite	+\$0



Product Information

Description

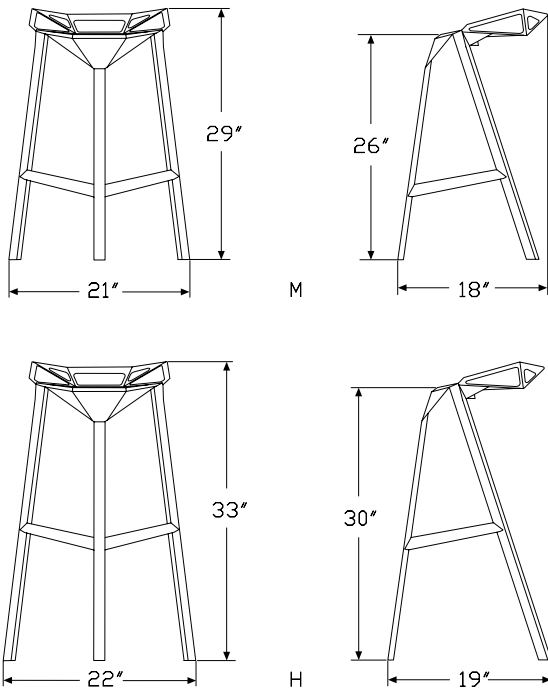
This bar stool comes in a high and medium height. The seat and leg finishes available are painted aluminum, polished aluminum and anodized aluminum black. Bar stools can stack up to 4 high. Package contains 2 bar stools.

Notes

Stool is flame retardant.

Polished aluminum (AL) finish is NOT suitable for outdoor use.

Dimensions



Specification Information

Step 1.

MGE20. [A]

Step 2. Height

M medium height [A]

H high height [A]

Step 3. Seat/Leg Material

AM painted aluminum [A]

AB anodized aluminum black [A]

AL polished aluminum [A]

Prices for Steps 1-3.

	AM	AB	AL
MGE20.M	\$965	1017	1545
H	\$1028	1071	1609

Step 4. Seat/Leg Finish

For painted aluminum (AM)

YHM red [A]			+\$0
YHP white [A]			+\$0
HAA ADAPTA grey [A]			+\$240
HAB ADAPTA white [A]			+\$240
HAC ADAPTA grey/green [A]			+\$240
HAD ADAPTA blue [A]			+\$240

For anodized aluminum black (AB)

YHB black [A]			+\$0
----------------------	--	--	------

For anodized aluminum black (AB)

YHB black [A]			+\$0
----------------------	--	--	------

Deja-Vu Stool

MGD20.



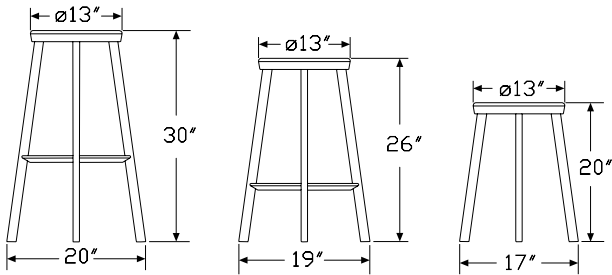
HermanMiller Collection—Outdoor Seating

Product Information

Description
This bar stool is available in a high, medium, and low height. The seat and leg finishes are available in black, white, and polished aluminum.

Notes
Black (YFB) finish is suitable for outdoor use.
Polished aluminum (YFD) finish is NOT suitable for outdoor use.

Dimensions



Specification Information

Step 1.

MGD20. A

Step 2. Height

- L** low height A
- M** medium height
- H** high height

Prices for Steps 1-2.

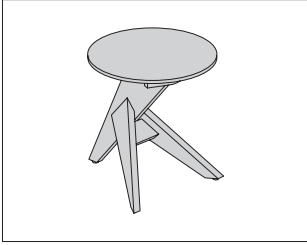
MGD20.L	\$389
M	\$511
H	\$533

Step 3. Seat/Leg Finish

		L	M	H
YFB	black <input type="checkbox"/> A	+\$0	0	0
YFD	polished aluminum <input type="checkbox"/> A	+\$101	102	92

Medici Table Outdoor

MGV71.



Product Information

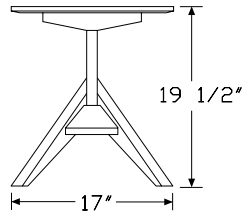
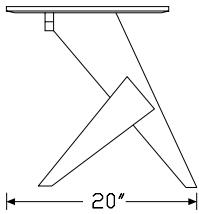
Description

This solid wood table is available in natural thermo oiled finish. Suitable for outdoor use.

Notes

Product should be oiled at least once a year to maintain finish quality. Refer to care and maintenance instructions for applying oil based finishes.

Dimensions



Specification Information

Step 1.

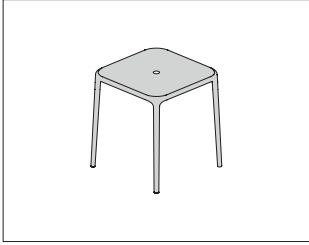
MGV71. [A] \$1078

Step 2. Frame Finish

ZQK natural thermo oiled [A] +\$0

Air-Table

MGA70.



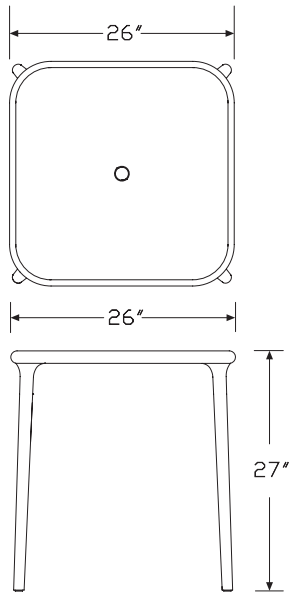
HermanMiller Collection—Outdoor Tables

Product Information

Description
 This stacking and KD table is made from polypropylene with glass fibre added. It is available in a triangle or square shape. Tables can stack up to 5 high.

Notes
 This table is suitable for outdoor use.

Dimensions



Specification Information

Step 1.

MGA70. A

Step 2. Shape

S square A

Prices for Steps 1-2.

MGA70.S \$420

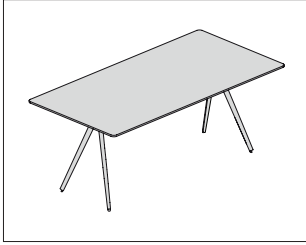
Step 3. Finish

YBB beige A +\$0

YBP white A +\$0

Baguette Table

MGG70.



Product Information

Description

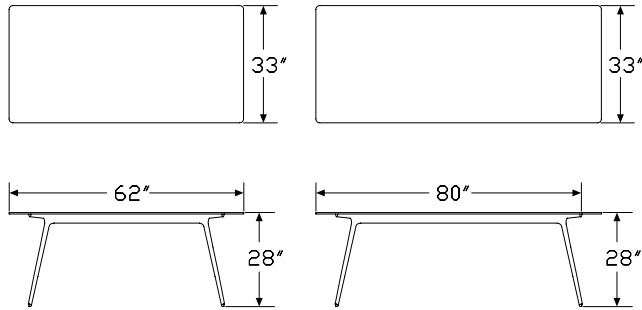
The legs of this table are cast aluminum, available polished or painted. The crosspiece is aluminum, also available polished or painted.

Notes

Painted (YCB, YCF) base with ardesia slate (YC) tables are suitable for outdoor use.

Other tops (WNT, YCB, YCF, YCC) and polished (YCD) base are NOT suitable for outdoor use.

Dimensions



Specification Information

Step 1.

MGG70.

Step 2. Size

3362 33" x 62" rectangular

3380 33" x 80" rectangular

Prices for Steps 1-2.

MGG70.3362	\$2108
3380	\$2313

Step 3. Frame Finish

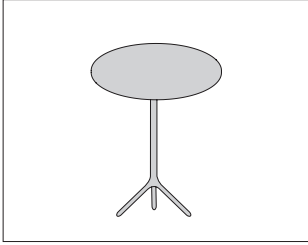
	3362	3380
YCB black <input type="checkbox"/>	+\$0	0
YCF white <input type="checkbox"/>	+\$0	0
YCD polished <input type="checkbox"/>	+\$350	351

Step 4. Top Finish

	3362	3380
WNT walnut <input type="checkbox"/>	+\$1682	2380
YCB black <input type="checkbox"/>	+\$0	0
YCF white <input type="checkbox"/>	+\$0	0
YCC extraclear glass <input type="checkbox"/>	+\$443	513
YCJ magis® ardesia slate <input type="checkbox"/>	+\$986	1022

Central Table

MGG80.



HermanMiller Collection—Outdoor Tables

Product Information

Description

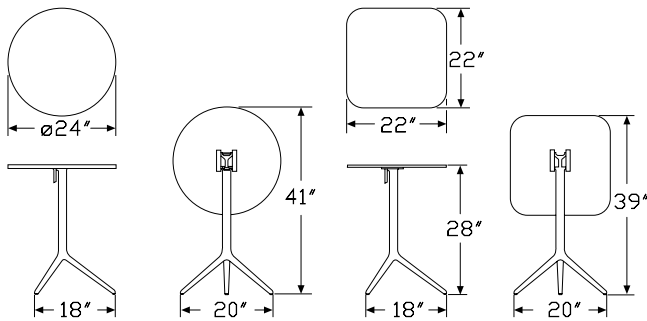
This table is available in a round or square shape. The frame is cast aluminum, available polished or painted.

Notes

For square table, polished aluminum frame is not available. Black or white finishes only.

Polished (YCD) option is NOT suitable for outdoor use.

Dimensions



Specification Information

Step 1.

MGG80. A

Step 2. Shape

R round A

S square A

Prices for Steps 1-2.

MGG80.R	\$1006
S	\$1006

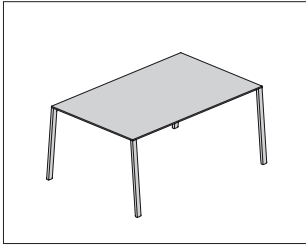
Step 3. Frame/Top Finish

For round (R)

YCB black <input type="checkbox"/> A	+\$0
YCF white <input type="checkbox"/> A	+\$91
YCD polished <input type="checkbox"/> A	+\$493

For square (S)

YCB black <input type="checkbox"/> A	+\$0
YCF white <input type="checkbox"/> A	+\$91



Product Information

Description

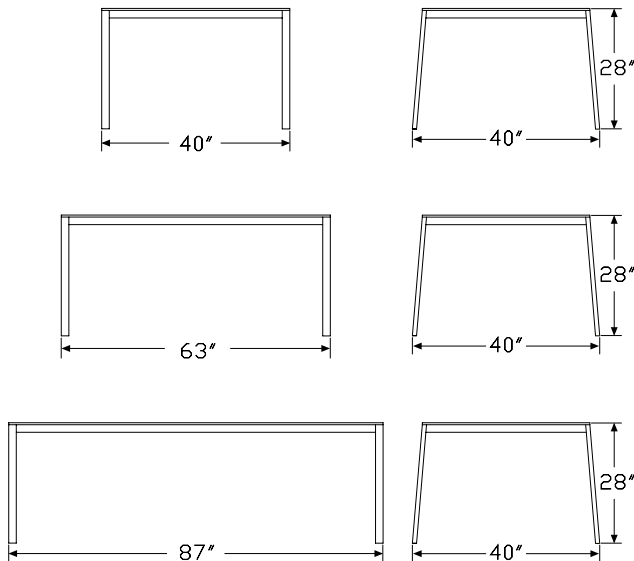
The frame of this table is an anodised aluminum tube. Joints are die-cast aluminum, available polished or painted. The top is high pressure laminate and comes in black or white. The base finish is available in polished aluminum and black.

Notes

Table thickness is 1/2".

Black (YHB) base with black (YHB) top combination is suitable for outdoor use.

Dimensions



Specification Information

Step 1.

MGE70. [A]

Step 2. Size

4040 40" x 40" [A]

6340 63" x 40" [A]

8740 87" x 40" [A]

Prices for Steps 1-2.

MGE70.4040	\$1839
6340	\$2155
8740	\$2798

Step 3. Base Finish

YHQ polished aluminum [A] +\$0

YHB black [A] +\$0

Step 4. Top Finish

For 40" x 40" (4040) with polished aluminum (YHQ)

YHB black [A] +\$0

YHP white [A] +\$397

Step 5. Top Finish

For 63" x 40" (6340) with polished aluminum (YHQ)

YHB black [A] +\$0

YHP white [A] +\$554

Step 6. Top Finish

For 87" x 40" (8740) with polished aluminum (YHQ)

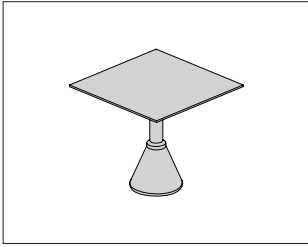
YHB black [A] +\$0

YHP white [A] +\$1413

Step 7. Top Finish

For black (YHB)

YHB black [A] +\$0



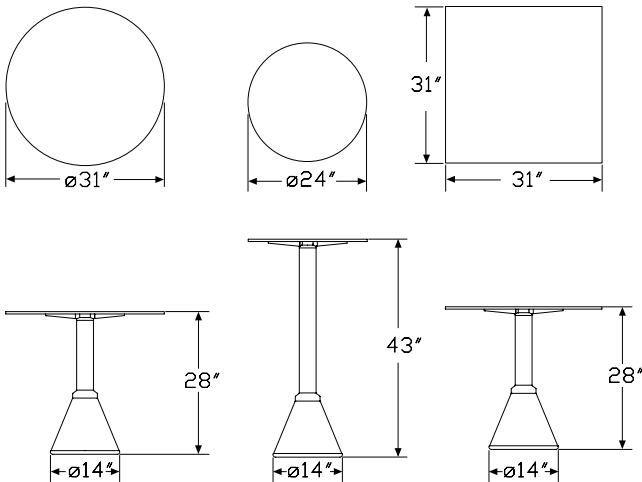
Product Information

Description
 The shape of this table is available in round or square with a concrete base. The frame is an anodised aluminum tube. The top is high pressure laminate. Finishes for the top and base are available in polished aluminum and black.

Notes

Table thickness is 1/2".
 Table is suitable for outdoor use.
 Polished aluminum (YHQ) base finish is NOT suitable for outdoor use.

Dimensions



Specification Information

Step 1.

MGE80. [A]

Step 2. Shape and Height

- R28** round 28" high [A]
- R43** round 43" high [A]
- S28** square 28" high [A]

Prices for Steps 1-2.

MGE80.R28	\$1240
R43	\$1130
S28	\$1191

Step 3. Base Finish

- YHQ** polished aluminum [A] +\$0
- YHB** black [A] +\$0

Step 4. Top Finish

For polished aluminum (YHQ)

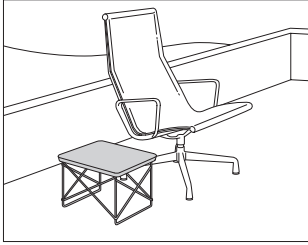
		R28	R43	S28
YHV	white with black edge [A]	+\$0	0	0
YHP	white [A]	+\$199	117	223

For black (YHB)

		R28	R43	S28
YHB	black [A]	+\$0	11	0

Eames® Wire Base Low Table
Outdoor

LTRT.



Product Information

Description

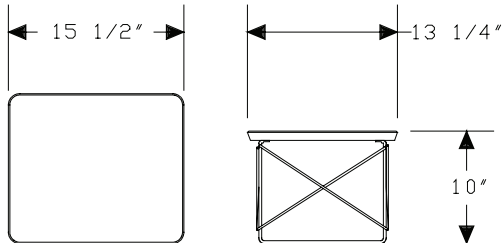
This outdoor table has a 3/4"-thick stone top or a thin profile HPL top. The base is powder-coated wire.

Notes

Stone has a honed finish and knife edge profile.

Natural characteristics in stone cause variations in hues, veins, crystals, and distinctive marks. These variations and subtle changes seen as the stone ages are values associated with natural materials. No two tabletops are identically the same; variations in both color and veining are to be expected. Over time the stone may fade in color, staining of the surface may appear, and surface cracks-if not already visible at time of purchase-may appear. Small cracks do not affect the structure of the tabletop.

Dimensions



Specification Information

Step 1.

LTRT.5

Step 2. Top Type

S stone

M thin profile HPL top

Prices for Steps 1-2.

LTRT.5 S	\$215
M	\$215

Step 3. Top Finish

For stone (S)

5U georgia grey marble <input type="checkbox"/>	+\$1359
HR wisconsin black marble <input type="checkbox"/>	+\$1419
CRR Carrara marble <input type="checkbox"/>	+\$1289

For thin profile HPL top (M)

91 white <input type="checkbox"/>	+\$110
BK black <input type="checkbox"/>	+\$110
G1 graphite <input type="checkbox"/>	+\$110

Step 4. Base Finish

91 white <input type="checkbox"/>	+\$21
G2 graphite satin <input type="checkbox"/>	+\$21
BK black <input type="checkbox"/>	+\$21

Nelson™ Pedestal Table Outdoor

5451.
5452.
5453.
5454.
5455.



Product Information

Description

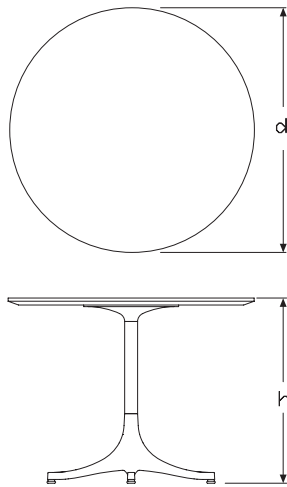
This outdoor table has a 3/4"-thick stone top or a thin profile HPL top and adjustable glides.

Notes

Stone has a honed finish and knife edge profile.

Natural characteristics in stone cause variations in hues, veins, crystals, and distinctive marks. These variations and subtle changes seen as the stone ages are values associated with natural materials. No two tabletops are identically the same; variations in both color and veining are to be expected. Over time the stone may fade in color, staining of the surface may appear, and surface cracks-if not already visible at time of purchase-may appear. Small cracks do not affect the structure of the tabletop.

Dimensions



Specification Information

Step 1.

545 A

Step 2. Height/Diameter

- 1.5 21 1/2" high x 17" diameter
- 5.5 26" high x 17" diameter A
- 2.5 16" high x 28 1/2" diameter
- 3.5 21 1/2" high x 28 1/2" diameter
- 4.5 26" high x 28 1/2" diameter A

Step 3. Surface Material

- M thin profile HPL top A
- S stone top A

Prices for Steps 1-3.

5451.5	M	\$850
	S	\$2130
5455.5	M	\$850
	S	\$2130
5452.5	M	\$1850
	S	\$3399
5453.5	M	\$1850
	S	\$3399
5454.5	M	\$1850
	S	\$3399

Step 4. Base Finish

91	white	<input type="checkbox"/> A	+\$0
91	white	<input type="checkbox"/> A	+\$30
G2	graphite satin	<input type="checkbox"/> A	+\$0
G2	graphite satin	<input type="checkbox"/> A	+\$30
BK	black	<input type="checkbox"/> A	+\$0
BK	black	<input type="checkbox"/> A	+\$30

Nelson™ Pedestal Table Outdoor

continued

Step 5. Top Finish

For stone top (S)

		1.5	5.5	2.5	3.5	4.5
5U	georgia grey	+\$225	225	360	360	360
	marble <input type="checkbox"/> A					
HR	wisconsin black	+\$631	631	1022	1022	1022
	marble <input type="checkbox"/> A					
CRR	Carrara marble <input type="checkbox"/> A	+\$100	100	285	285	285

For thin profile HPL top (M)

		1.5	5.5	2.5	3.5	4.5
91	white <input type="checkbox"/> A	+\$0	0	0	0	0
BK	black <input type="checkbox"/> A	+\$0	0	0	0	0
G1	graphite <input type="checkbox"/> A	+\$0	0	0	0	0

Index by Product Name

HermanMiller Collection Accessories	
360° Container (5 drawer w/casters)	page(s) 637
Beware of Imitations Poster	633
Box	647
Cu-Clock, 4-Pack	638
Dalmatian Puppy	641
Eames® Hang-It-All®	629
Eames® Molded Plywood Folding Screen	630
Environmental Enrichment Panel, Brick	651
Environmental Enrichment Panel, Diagonals	656
Environmental Enrichment Panel, Eyes	654
Environmental Enrichment Panel, Four Leaf Clover	652
Environmental Enrichment Panel, Geometry	657
Environmental Enrichment Panel, Hand & Dove	658
Environmental Enrichment Panel, Ribbons	655
Environmental Enrichment Panel, Stars	653
Geiger Textile Pillow	659
Girard® Throw	631
Half Nelson™ Lamp	679
Media Stand	649
Nelson™ Apple Bubble Pendant	661
Nelson™ Ball Bubble Pendant	662
Nelson™ Ball Crisscross Bubble Pendant	670
Nelson™ Ball Lotus Table Lamp	680
Nelson™ Ball Tripod Lamp	683
Nelson™ Ball Wall Sconce	675
Nelson™ Bell Bubble Pendant	663
Nelson™ Cigar Bubble Pendant	664
Nelson™ Cigar Crisscross Bubble Pendant	671
Nelson™ Cigar Lotus Floor Lamp	687
Nelson™ Cigar Lotus Table Lamp	681
Nelson™ Cigar Tripod Lamp	684
Nelson™ Cigar Wall Sconce	676
Nelson™ Fireplace Tool Set	635
Nelson™ Firewood Caddy	634
Nelson™ Lantern Bubble Pendant	666
Nelson™ Lantern Tripod Lamp	685
Nelson™ Pear Bubble Pendant	667
Nelson™ Pear Crisscross Bubble Pendant	672
Nelson™ Pear Lotus Floor Lamp	688
Nelson™ Pear Lotus Table Lamp	682
Nelson™ Pear Tripod Lamp	686
Nelson™ Pear Wall Sconce	677
Nelson™ Propeller Bubble Pendant	668
Nelson™ Saucer Bubble Pendant	669
Nelson™ Saucer Crisscross Bubble Pendant	673
Nelson™ Saucer Wall Sconce	678

Nelson™ Triple Bubble Lamp Fixture	674
Paper Tray	650
Pencil Cup	645
Puppy, 2-Pack	640
Steelwood Coat Stand	642
Textiles & Objects Poster	632
Tissue Box	648
Transit Folding Trolley	643
Trash Bin, 4-Pack	644
Tray	646
Umbrella Stand	639

HermanMiller Collection Bedroom	
Nelson™ Daybed	page(s) 623
Nelson™ Thin Edge Bed	624

HermanMiller Collection Desks and Tables	
AGL™ Table Group	page(s) 415
AGL™ Table Group Power Kit	418
AGL™ Table Group Power Kit, Chicago version	420
Air-Table	434
Baguette Table	435
Brabo Occasional Table	476
Branca Table	455
Burdick Group™ Base Assembly	426
Burdick Group™ Beam	425
Burdick Group™ Oval Table	423
Burdick Group™ Rectangular Table	422
Burdick Group™ Rectangular Work Surface	428
Burdick Group™ Round Work Surface	427
Central Table	436
Claw Occasional Table, Square	480
Claw Table	479
Deja-Vu Table	437
Distil Desk	413
Distil Table	414
Doubleframe Table	454
Eames® Coffee Table	463
Eames® Desk Unit	411
Eames® Molded Plywood Coffee Table Metal Base	465
Eames® Molded Plywood Coffee Table Wood Base	466
Eames® Rectangular Coffee Table	467
Eames® Wire Base Elliptical Table	468
Eames® Wire Base Low Table	469
Facile Bench	457
Facile Table	456
Full Round Table	481
Girard Hexagonal Table	493
Girard Splayed Leg Table	494

Index by Product Name *continued*

Index: Product Name

H-Frame Coffee Table	489
H-Frame Side Table	487
I-Beam Coffee Table	491
I-Beam Side Table	492
Layer Occasional Table, High Nesting	508
Layer Occasional Table, Low Nesting	510
Layer Occasional Table, No Shelf	516
Layer Occasional Table, Stone Shelf	517
Layer Occasional Table, Wood Drawer	514
Layer Occasional Table, Wood Shelf	512
Medici Table	462
Nelson™ Pedestal Table	470
Nelson™ Swag Leg Desk	412
Nelson™ Swag Leg Dining Table Rectangular	429
Nelson™ Swag Leg Dining Table Round	430
Nelson™ Swag Leg Work Table	431
Nelson™ X-Leg Table	432
Noguchi® Rudder Table	473
Noguchi® Table	472
Officina Bistro Table	440
Officina Console Table	442
Officina Fratino Table	441
Officina Pedestal Table	443
Officina Table	438
Osso Table	460
Pizza Table	461
Polygon Wire Table	519
Primo Table	453
Reframe Occasional Table	518
Saiba Table Glass Top	504
Saiba Table Thin Profile Top	506
Saiba Table Wood Top	501
Solo Table	458
Steelwood Extending Table	447
Steelwood Table	445
Steelwood Table System	446
Striad® Pedestal Table	474
Striped Tavolo	448
Table First	449
Table_One	450
Table_One Bistro	451
Tavolo XZ3 Table	452
Traffic Low Side Table	525
Traffic Low Side Table, Suitable for Outdoor Use	526
Traffic Low Square Table	523
Traffic Low Square Table, Suitable for Outdoor Use	524
Traffic Low Table	521

Traffic Low Table, Suitable for Outdoor Use	522
Tronco Table	459
Tuxedo Component Lounge Tables Rectangular	499
Tuxedo Component Lounge Tables Square	497
Tuxedo Component Lounge Tables Tray	495

HermanMiller Collection Outdoor Furniture

Air-Chair	page(s) 696
Air-Folding Chair	697
Air-Table	712
Baguette Table	713
Central Table	714
Chair First	700
Chair_One	699
Chair_One Stacking Base	698
Deja-Vu Chair	701
Deja-Vu Stool	710
Eames® Aluminum Group Lounge Chair Outdoor	703
Eames® Aluminum Group Ottoman Outdoor	704
Eames® Aluminum Group Side Chair Outdoor	691
Eames® Wire Base Low Table Outdoor	717
Eames® Wire Chair Outdoor	692
Eames® Wire Stool Outdoor	693
Medici Bench Outdoor	706
Medici Chair Outdoor	705
Medici Ottoman Outdoor	707
Medici Table Outdoor	711
Mila Chair	694
Nelson™ Pedestal Table Outdoor	718
Paso Doble Chair Outdoor	695
Spun Rotating Chair	708
Stool_One	709
Table_One	715
Table_One Bistro	716
Venice Chair	702

HermanMiller Collection Seating

Air-Chair	page(s) 36
Air-Chair to Air-Chair Connector	37
Air-Folding Chair	38
Al Bombo® Kit	220
Al Bombo® Stool	219
Bevel Chaise	299
Bevel Club Chair	295
Bevel Corner	296
Bevel Curved Settee	302
Bevel Ottoman	298
Bevel Rounded Ottoman	304
Bevel Settee	297

Index by Product Name *continued*

Bevel Single Seat	303	ColourForm Tete-a-Tete, Not Quilted, Single Textile	330
Bevel Sofa	300	ColourForm Tete-a-Tete, Quilted, Single Textile	331
Bolster Chaise	310	ColourForm Tete-a-Tete, Quilted, Two Textiles	332
Bolster Club Chair	305	Crosshatch Lounge Chair	148
Bolster Corner	306	Crosshatch Ottoman	151
Bolster Ottoman	309	Crosshatch Side Chair	88
Bolster Settee	307	Crosshatch Stool	248
Bolster Sofa	311	Deja-Vu Chair	44
Bombo® Stool	221	Deja-Vu Stool	222
Brabo Lounge Chair	208	Dressed First	43
Brabo Settee	388	Eames® Aluminum Group Executive Chair	272
Brabo Sofa	391	Eames® Aluminum Group Lounge Chair	98
Branca Chair	56	Eames® Aluminum Group Management Chair	274
Branca Stool	227	Eames® Aluminum Group Ottoman	100
Bumper Conference Chair	286	Eames® Aluminum Group Side Chair	5
Bumper Lounge Chair	146	Eames® Chaise	121
Bumper Side Chair	71	Eames® Executive Chair	280
Chadwick Base Cover Kit	340	Eames® Lounge Chair	107
Chadwick Module	338	Eames® Lounge Chair and Ottoman	103
Chadwick Power Entry	341	Eames® Lounge Chair and Ottoman, Ebony	105
Chadwick Power Jumper	343	Eames® Lounge Chair and Ottoman White Ash	106
Chadwick Receptacle Kit	342	Eames® Lounge Chair, Ebony	109
Chair First	39	Eames® Lounge Chair White Ash	110
Chair_One	41	Eames® Molded Fiberglass Armchair	29
Chair_One Cushion	42	Eames® Molded Fiberglass Side Chair	18
Chair_One Stacking Base	40	Eames® Molded Fiberglass Stool	236
Chiaro Chair	57	Eames® Molded Plastic Armchair	26
Chiaro Stool	228	Eames® Molded Plastic Armchair Rocker Base	114
Clerici Armchair	139	Eames® Molded Plastic Side Chair	13
Clerici Three Seat Bench	141	Eames® Molded Plastic Stool	239
Clerici Two Seat Bench	140	Eames® Molded Plywood Dining Chair Metal Base	9
ColourForm Bench, Not Quilted, Single Textile	335	Eames® Molded Plywood Dining Chair Wood Base	11
ColourForm Bench, Quilted, Single Textile	336	Eames® Molded Plywood Lounge Chair Metal Base	117
ColourForm Chaise, Not Quilted, Single Textile	324	Eames® Molded Plywood Lounge Chair Wood Base	119
ColourForm Chaise, Quilted, Single Textile	326	Eames® Molded Wood Side Chair	22
ColourForm Chaise, Quilted, Two Textiles	328	Eames® Molded Wood Stool	242
ColourForm Club Chair, Not Quilted, Single Textile	319	Eames® Ottoman	111
ColourForm Club Chair, Quilted, Single Textile	320	Eames® Ottoman, Ebony	112
ColourForm Club Chair, Quilted, Two Textiles	321	Eames® Ottoman White Ash	113
ColourForm Corner, Not Quilted, Single Textile	333	Eames® Side Chair Stacking Base Dolly	23
ColourForm Corner, Quilted, Single Textile	334	Eames® Sofa	383
ColourForm Ganging Kit	337	Eames® Sofa Compact	382
ColourForm Ottoman, Not Quilted, Single Textile	322	Eames® Soft Pad Group Executive Chair	276
ColourForm Ottoman, Quilted, Single Textile	323	Eames® Soft Pad Group Management Chair	278
ColourForm Sofa, Not Quilted, Single Textile	313	Eames® Soft Pad Lounge Chair	101
ColourForm Sofa, Quilted, Single Textile	315	Eames® Soft Pad Ottoman	102
ColourForm Sofa, Quilted, Two Textiles	317	Eames® Soft Pad Side Chair	7

Index by Product Name *continued*

Index: Product Name

Eames® Task Chair, Arm Shell	282	Officina Chair	46
Eames® Task Chair, Side Shell	284	Officina Low Chair	123
Eames® Upholstered Molded Fiberglass Armchair	31	Officina Ottoman	125
Eames® Upholstered Molded Fiberglass Side Chair	20	Officina Sofa	399
Eames® Upholstered Molded Fiberglass Stool	237	Officina Stool	223
Eames® Upholstered Molded Plastic Armchair	27	Osso Chair	55
Eames® Upholstered Molded Plastic Armchair Rocker Base	115	Osso Stool	232
Eames® Upholstered Molded Plastic Side Chair	15	Primo Chair	62
Eames® Upholstered Molded Plastic Stool	240	Quindici Chaise Longue	145
Eames® Upholstered Molded Wood Side Chair	33	Quindici Lounge Chair	144
Eames® Upholstered Molded Wood Stool	243	Reframe High-Back Lounge Chair	157
Eames® Walnut Stool	217	Reframe Mid-Back Lounge Chair	154
Eames® Wire Chair	24	Reframe Wing-Back Lounge Chair	160
Eames® Wire Stool	245	Rolled Arm Club Chair	162
Envelope® Chair	69	Rolled Arm Sofa	394
Folly	255	Saiba Conference Chair	87
Folly Floor Kit	256	Saiba Guest Chair	205
Full Twist™ Guest Chair	73	Saiba Lounge	203
Girard Color Wheel Ottoman	400	Saiba Multitask Chair	288
Goetz™ Sofa	385	Saiba Ottoman	204
He Said Chair	58	Scissor Chair	168
Landmark Chair	80	She Said Chair	59
Landmark Low Arm Chair	77	She Said Lowide Chair	60
Leeway™ Metal Frame Side Chair	95	She Said Stool	229
Leeway™ Stool	251	Sled Chair	170
Leeway™ Wood Side Chair	92	Solo Chair	61
Lispenard Chair	293	Solo Stool	231
Lispenard Ottoman	292	Spot Stool	246
Lispenard Sectional	294	Spun Rotating Chair	138
Lispenard Sofa	291	Stanley Chair	91
Medici Chair	142	Steelwood Chair	47
Medici Ottoman	143	Steelwood Stool	224
Mila Chair	45	Steelwood Upholstered Chair	48
Module Lounge Seating Corner	348	Stool_One	225
Module Lounge Seating Ottoman	350	Stool_One Cushion	226
Module Lounge Seating Single Seat	346	Striad High-Back Lounge Chair, 4-Star Base	187
Module Lounge Seating with Privacy Back Corner	345	Striad High-Back Lounge Chair, Wire Base	189
Module Lounge Seating with Privacy Back Single Seat	344	Striad Low-Back Lounge Chair, 4-Star Base	195
Nelson™ Coconut Lounge Chair	122	Striad Low-Back Lounge Chair, Wire Base	197
Nelson™ Marshmallow Sofa	387	Striad Mid-Back Lounge Chair, 4-Star Base	191
Nelson™ Pedestal Stool	218	Striad Mid-Back Lounge Chair, Wire Base	193
Nelson™ Platform Bench	257	Striad Ottoman, 4-Star Base	199
Nelson™ Platform Bench Cushion	258	Striad Ottoman, Wire Base	201
Nelson™ Swag Leg Armchair	35	Taper Chair	289
Nessel Chair	83	Tom & Jerry Stool	230
Officina Armchair	124	Traffic Armchair Leather	127
Officina Bench	254	Traffic Armchair Upholstered	126

Traffic Armchair Upholstered (Suitable for Outdoor Use)	128
Traffic Chaise Lounge Leather	136
Traffic Chaise Lounge Upholstered	135
Traffic One-Seater Bench Leather	266
Traffic One-Seater Bench Upholstered	264
Traffic One-Seater Bench Upholstered (Suitable for Outdoor Use)	265
Traffic Platform Leather	271
Traffic Platform Upholstered	270
Traffic Tablet in Acrylic Stone	137
Traffic Three-Seater Sofa Leather	134
Traffic Three-Seater Sofa Upholstered	132
Traffic Three-Seater Sofa Upholstered (Suitable for Outdoor Use)	133
Traffic Two-Seater Bench Leather	269
Traffic Two-Seater Bench Upholstered	267
Traffic Two-Seater Bench Upholstered (Suitable for Outdoor Use)	268
Traffic Two-Seater Sofa Leather	131
Traffic Two-Seater Sofa Upholstered	129
Traffic Two-Seater Sofa Upholstered (Suitable for Outdoor Use)	130
Tronco Connector	65
Tronco Dolly	64
Tronco Stacking Chair	63
Troy Plastic Chair	49
Troy Upholstered Chair	51
Tuxedo Classic Club Chair	185
Tuxedo Classic Corner Settee	371
Tuxedo Classic Corner Sofa	379
Tuxedo Classic Settee	366
Tuxedo Classic Sofa	375
Tuxedo Component Lounge™ Bench	260
Tuxedo Component Lounge™ Club Chair	172
Tuxedo Component Lounge™ Corner Sofa with Attached Settee	362
Tuxedo Component Lounge™ Corner Sofa with Attached Sofa	364
Tuxedo Component Lounge™ Daybed	176
Tuxedo Component Lounge™ Museum Bench	262
Tuxedo Component Lounge™ Ottoman	174
Tuxedo Component Lounge™ Settee	353
Tuxedo Component Lounge™ Settee Corner	357
Tuxedo Component Lounge™ Sofa	351
Tuxedo Component Lounge™ Sofa Corner	360
Tuxedo Component Lounge with Table - One Seat	178
Tuxedo Component Lounge with Table - Two Seats	182
Tuxedo Ganging Plate	407
Uncino Chair, Version A	66
Uncino Chair, Version B	67
Uncino Chair, Version C	68
Uncino Stool	234
Uncino Stool, Fixed	235

Venice Chair	53
Venice Cushion	54
Wireframe™ Chair	164
Wireframe™ Ottoman	166
Wireframe™ Sofa	397
Wood Base Club Chair	211
Wood Base Ottoman	214
Wood Base Settee	401
Wood Base Sofa	404

HermanMiller Collection Storage

Domino Credenza	page(s) 556, 555, 552, 551, 549, 547
Domino Sideboard	558, 557, 554, 553, 550, 548
Eames® Storage Unit	529
H-Frame Credenza Four Units Wide	574
H-Frame Credenza One Unit Wide	559
H-Frame Credenza Stone Top	580
H-Frame Credenza Three Units Wide	570
H-Frame Credenza Two Units Wide	566
Nelson™ Basic Cabinet Series 16.5 x 18	531
Nelson™ Basic Cabinet Series 24 x 24	532
Nelson™ Basic Cabinet Series 24 x 34	533
Nelson™ Basic Cabinet Series 24 x 34 Bookcase	534
Nelson™ Basic Cabinet Series 34 x 40	535
Nelson™ Miniature Chest 6 Drawer	536
Nelson™ Miniature Chest 9 Drawer	537
Nelson™ Thin Edge Bedside Table	539
Nelson™ Thin Edge Buffet	543
Nelson™ Thin Edge Cabinet	541
Nelson™ Thin Edge Chest	540
Nelson™ Thin Edge Chest Cabinet	542
Nelson™ Thin Edge Double Dresser	544
Silverware Drawer Insert	581
Sled Base Credenza Four Units Wide	591
Sled Base Credenza Four Units Wide and Stone Top	606
Sled Base Credenza Three Units Wide	588
Sled Base Credenza Three Units Wide and Stone Top	603
Sled Base Credenza Two Units Wide	585
Sled Base Credenza Two Units Wide and Stone Top	600
Sled Base Mobile Credenza	612
Sled Base Mobile Credenza Stone Top	618
Sled Base Mobile Pedestal	609
Sled Base Mobile Pedestal Stone Top	615
Sled Base Pedestal	582
Sled Base Pedestal Stone Top	597
Steelwood Shelving System	545

Index by Product Number

411	Eames® Walnut Stool	page(s) 217	AJN10	ColourForm Club Chair, Quilted, Single Textile	320
412			AJN10	ColourForm Club Chair, Quilted, Two Textiles	321
413			AJN10	ColourForm Corner, Not Quilted, Single Textile	333
473	Eames® Sofa Compact	382	AJN10	ColourForm Corner, Quilted, Single Textile	334
5451L	Nelson™ Pedestal Table	470	AJN10	ColourForm Sofa, Not Quilted, Single Textile	313
5451.	Nelson™ Pedestal Table Outdoor	718	AJN10	ColourForm Sofa, Quilted, Single Textile	315
5451S	Nelson™ Pedestal Table	470	AJN10	ColourForm Sofa, Quilted, Two Textiles	317
5451W			AJN10	ColourForm Tete-a-Tete, Not Quilted, Single Textile	330
5452L			AJN10	ColourForm Tete-a-Tete, Quilted, Single Textile	331
5452.	Nelson™ Pedestal Table Outdoor	718	AJN10	ColourForm Tete-a-Tete, Quilted, Two Textiles	332
5452S	Nelson™ Pedestal Table	470	AJNG	ColourForm Ganging Kit	337
5452W			AL1C0	Bolster Ottoman	309
5453L			AL1C1	Bolster Chaise	310
5453.	Nelson™ Pedestal Table Outdoor	718	AL1C1	Bolster Club Chair	305
5453S	Nelson™ Pedestal Table	470	AL1C1	Bolster Corner	306
5453W			AL1C1	Bolster Settee	307
5454L			AL1C1	Bolster Sofa	311
5454.	Nelson™ Pedestal Table Outdoor	718	AL2C1	Module Lounge Seating Single Seat	346
5454S	Nelson™ Pedestal Table	470	AL2C2		
5454W			AL2C3	Module Lounge Seating Corner	348
5455L			AL2C4	Module Lounge Seating Ottoman	350
5455.	Nelson™ Pedestal Table Outdoor	718	AL2C5	Module Lounge Seating with Privacy Back Single Seat	344
5455S	Nelson™ Pedestal Table	470	AL2C7	Module Lounge Seating with Privacy Back Corner	345
5455W			AL6C0	Bevel Ottoman	298
5569.	Nelson™ Coconut Lounge Chair	122	AL6C0	Bevel Rounded Ottoman	304
5670	Nelson™ Marshmallow Sofa	387	AL6C0	Bevel Single Seat	303
66332	Girard Color Wheel Ottoman	400	AL6C1	Bevel Chaise	299
66353	Girard Hexagonal Table	493	AL6C1	Bevel Club Chair	295
66356	Girard Splayed Leg Table	494	AL6C1	Bevel Corner	296
ACL1A	Claw Table	479	AL6C1	Bevel Settee	297
ACL2A	Claw Occasional Table, Square	480	AL6C1	Bevel Sofa	300
AFCA	Reframe Occasional Table	518	AL6C2	Bevel Curved Settee	302
AFCW			AL6C3		
AFRA			AL510	Lispenard Chair	293
AFRW			AL510	Lispenard Ottoman	292
AFSA			AL510	Lispenard Sectional	294
AFSW			AL510	Lispenard Sofa	291
AJN2B	ColourForm Bench, Not Quilted, Single Textile	335	ALNHS	Layer Occasional Table, High Nesting	508
AJN2B	ColourForm Bench, Quilted, Single Textile	336	ALNLT	Layer Occasional Table, Low Nesting	510
AJN3B	ColourForm Bench, Not Quilted, Single Textile	335	ALYDA	Layer Occasional Table, Wood Drawer	514
AJN3B	ColourForm Bench, Quilted, Single Textile	336	ALYDW		
AJN04	ColourForm Ottoman, Not Quilted, Single Textile	322	ALYSA	Layer Occasional Table, Wood Shelf	512
AJN04	ColourForm Ottoman, Quilted, Single Textile	323	ALYSN	Layer Occasional Table, No Shelf	516
AJN10	ColourForm Chaise, Not Quilted, Single Textile	324	ALYSS	Layer Occasional Table, Stone Shelf	517
AJN10	ColourForm Chaise, Quilted, Single Textile	326	ALYSW	Layer Occasional Table, Wood Shelf	512
AJN10	ColourForm Chaise, Quilted, Two Textiles	328	ASB1A	Saiba Table Wood Top	501
AJN10	ColourForm Club Chair, Not Quilted, Single Textile	319	ASB1G	Saiba Table Glass Top	504

Index by Product Number *continued*

Index: Product Number

ASB1T	Saiba Table Thin Profile Top	506	CCL300	Striad Low-Back Lounge Chair, 4-Star Base	195
ASB1W	Saiba Table Wood Top	501	CCL301	Striad Low-Back Lounge Chair, Wire Base	197
AV3AL	Brabo Occasional Table	476	CCL400	Striad Ottoman, 4-Star Base	199
AV3AW			CCL401	Striad Ottoman, Wire Base	201
AV3WL			CCL500	Striad® Pedestal Table	474
AV3WW			CM101	Chadwick Module	338
AWB1Z	I-Beam Side Table	492	CM102		
AWB2G	I-Beam Coffee Table	491	CM103		
AWB2M			CM104	Chadwick Base Cover Kit	340
AWH2G	H-Frame Coffee Table	489	CM105	Chadwick Module	338
AWH2G	H-Frame Side Table	487	CM106		
AWH2S	H-Frame Coffee Table	489	CM107	Chadwick Power Entry	341
AWH2S	H-Frame Side Table	487	CM108	Chadwick Receptacle Kit	342
AWH2W	H-Frame Coffee Table	489	CM109	Chadwick Power Jumper	343
AWH2W	H-Frame Side Table	487	CTM.	Eames® Molded Plywood Coffee Table Metal Base	465
AWR2-	Full Round Table	481	CTW1.	Eames® Rectangular Coffee Table	467
AXT3-	Tuxedo Component Lounge Tables Tray	495	CTW.	Eames® Molded Plywood Coffee Table Wood Base	466
AXW2-	Tuxedo Component Lounge Tables Square	497	CY100.	Pencil Cup	645
AXW3-	Tuxedo Component Lounge Tables Rectangular	499	CY101.	Tray	646
B-3-7	Nelson™ Triple Bubble Lamp Fixture	674	CY102.	Box	647
BC1618	Nelson™ Basic Cabinet Series 16.5 x 18	531	CY103.	Tissue Box	648
BC2400	Nelson™ Basic Cabinet Series 24 x 34 Bookcase	534	CY104.	Media Stand	649
BC2424	Nelson™ Basic Cabinet Series 24 x 24	532	CY105.	Paper Tray	650
BC2434	Nelson™ Basic Cabinet Series 24 x 34	533	DAF	Nelson™ Swag Leg Armchair	35
BC3440	Nelson™ Basic Cabinet Series 34 x 40	535	DAR.	Eames® Molded Plastic Armchair	26
BELLX	Nelson™ Bell Bubble Pendant	663	DAR.	Eames® Upholstered Molded Plastic Armchair	27
BG105	Burdick Group™ Beam	425	DAW.	Eames® Molded Plastic Armchair	26
BG106			DAW.	Eames® Upholstered Molded Plastic Armchair	27
BG107	Burdick Group™ Base Assembly	426	DAX.	Eames® Molded Plastic Armchair	26
BG120	Burdick Group™ Rectangular Work Surface	428	DAX.	Eames® Upholstered Molded Plastic Armchair	27
BG121			DBL.	Doubleframe Table	454
BG122	Burdick Group™ Round Work Surface	427	DCM.	Eames® Molded Plywood Dining Chair Metal Base	9
BG321	Burdick Group™ Rectangular Table	422	DCW.	Eames® Molded Plywood Dining Chair Wood Base	11
BG322			DF100.	AGL™ Table Group	415
BG331			DF900.	AGL™ Table Group Power Kit	418
BG332			DF901.	AGL™ Table Group Power Kit, Chicago version	420
BG335	Burdick Group™ Oval Table	423	DFAR.	Eames® Molded Fiberglass Armchair	29
BG336			DFAR.	Eames® Upholstered Molded Fiberglass Armchair	31
BG435			DFAW.	Eames® Molded Fiberglass Armchair	29
BG436			DFAW.	Eames® Upholstered Molded Fiberglass Armchair	31
BK104	Wireframe™ Ottoman	166	DFAX.	Eames® Molded Fiberglass Armchair	29
BK110	Wireframe™ Chair	164	DFAX.	Eames® Upholstered Molded Fiberglass Armchair	31
BK110	Wireframe™ Sofa	397	DFH BX.	Eames® Molded Fiberglass Stool	236
CCL100	Striad High-Back Lounge Chair, 4-Star Base	187	DFH BX.	Eames® Upholstered Molded Fiberglass Stool	237
CCL101	Striad High-Back Lounge Chair, Wire Base	189	DFH CX.	Eames® Molded Fiberglass Stool	236
CCL200	Striad Mid-Back Lounge Chair, 4-Star Base	191	DFH CX.	Eames® Upholstered Molded Fiberglass Stool	237
CCL201	Striad Mid-Back Lounge Chair, Wire Base	193	DFSR.	Eames® Molded Fiberglass Side Chair	18

Index by Product Number *continued*

DFSR. Eames® Upholstered Molded Fiberglass Side Chair	20	EA416 Eames® Soft Pad Lounge Chair	101
DFSS. Eames® Molded Fiberglass Side Chair	18	EA422	
DFSW.		EA423 Eames® Soft Pad Ottoman	102
DFSW. Eames® Upholstered Molded Fiberglass Side Chair	20	EA434 Eames® Soft Pad Group Management Chair	278
DFSX. Eames® Molded Fiberglass Side Chair	18	EA435	
DFSX. Eames® Upholstered Molded Fiberglass Side Chair	20	EA437 Eames® Soft Pad Group Executive Chair	276
DKHBX. Eames® Wire Stool	245	EA506 Eames® Aluminum Group Side Chair Outdoor	691
DKHCX.		EA508	
DKHQBX Eames® Wire Stool Outdoor	693	EA516 Eames® Aluminum Group Lounge Chair Outdoor	703
DKHQCX		EA523 Eames® Aluminum Group Ottoman Outdoor	704
DKQR. Eames® Wire Chair Outdoor	692	ECT30 Eames® Coffee Table	463
DKQX.		EDU10. Eames® Desk Unit	411
DKR. Eames® Wire Chair	24	EDU20.	
DKW.		EDU21.	
DKX.		EE907 Environmental Enrichment Panel, Hand & Dove	658
DOLLY. Eames® Side Chair Stacking Base Dolly	23	EE908 Environmental Enrichment Panel, Geometry	657
DSHBX. Eames® Molded Plastic Stool	239	EE913 Environmental Enrichment Panel, Stars	653
DSHBX. Eames® Upholstered Molded Plastic Stool	240	EE914 Environmental Enrichment Panel, Eyes	654
DSHCX. Eames® Molded Plastic Stool	239	EE925 Environmental Enrichment Panel, Brick	651
DSHCX. Eames® Upholstered Molded Plastic Stool	240	EE929 Environmental Enrichment Panel, Four Leaf Clover	652
DSR. Eames® Molded Plastic Side Chair	13	EE937 Environmental Enrichment Panel, Diagonals	656
DSR. Eames® Upholstered Molded Plastic Side Chair	15	EE943 Environmental Enrichment Panel, Ribbons	655
DSS. Eames® Molded Plastic Side Chair	13	ES106 Eames® Chaise	121
DSW.		ES108 Eames® Sofa	383
DSW. Eames® Upholstered Molded Plastic Side Chair	15	ES110	
DSX. Eames® Molded Plastic Side Chair	13	ES204 Eames® Executive Chair	280
DSX. Eames® Upholstered Molded Plastic Side Chair	15	ES670 Eames® Lounge Chair	107
DWHBX. Eames® Molded Wood Stool	242	ES670 Eames® Lounge Chair and Ottoman	103
DWHBX. Eames® Upholstered Molded Wood Stool	243	ES670 Eames® Lounge Chair and Ottoman, Ebony	105
DWHCX. Eames® Molded Wood Stool	242	ES670 Eames® Lounge Chair and Ottoman White Ash	106
DWHCX. Eames® Upholstered Molded Wood Stool	243	ES670 Eames® Lounge Chair, Ebony	109
DWSR. Eames® Molded Wood Side Chair	22	ES670 Eames® Lounge Chair White Ash	110
DWSR. Eames® Upholstered Molded Wood Side Chair	33	ES671 Eames® Ottoman	111
DWSW. Eames® Molded Wood Side Chair	22	ES671 Eames® Ottoman, Ebony	112
DWSW. Eames® Upholstered Molded Wood Side Chair	33	ES671 Eames® Ottoman White Ash	113
DWSX. Eames® Molded Wood Side Chair	22	ESU100 Eames® Storage Unit	529
DWSX. Eames® Upholstered Molded Wood Side Chair	33	ESU150	
EA306 Eames® Aluminum Group Side Chair	5	ESU201	
EA308		ESU230	
EA316 Eames® Aluminum Group Lounge Chair	98	ESU420	
EA322		ETRT. Eames® Wire Base Elliptical Table	468
EA323 Eames® Aluminum Group Ottoman	100	FSW. Eames® Molded Plywood Folding Screen	630
EA334 Eames® Aluminum Group Management Chair	274	GS100. Goetz™ Sofa	385
EA335		H737S Nelson™ Lantern Bubble Pendant	666
EA337 Eames® Aluminum Group Executive Chair	272	H737T Nelson™ Lantern Tripod Lamp	685
EA406 Eames® Soft Pad Side Chair	7	H761C Nelson™ Ball Crisscross Bubble Pendant	670
EA408		H761L Nelson™ Ball Bubble Pendant	662

Index by Product Number *continued*

Index: Product Number

H761L	Nelson™ Ball Lotus Table Lamp	680
H761M	Nelson™ Ball Bubble Pendant	662
H761S		
H761S	Nelson™ Ball Wall Sconce	675
H761T	Nelson™ Ball Tripod Lamp	683
H762C	Nelson™ Cigar Crisscross Bubble Pendant	671
H762L	Nelson™ Cigar Bubble Pendant	664
H762L	Nelson™ Cigar Lotus Floor Lamp	687
H762L	Nelson™ Cigar Lotus Table Lamp	681
H762M	Nelson™ Cigar Bubble Pendant	664
H762S		
H762S	Nelson™ Cigar Wall Sconce	676
H762T	Nelson™ Cigar Tripod Lamp	684
H762X	Nelson™ Cigar Bubble Pendant	664
H763C	Nelson™ Saucer Crisscross Bubble Pendant	673
H763L	Nelson™ Saucer Bubble Pendant	669
H763M		
H763S		
H763S	Nelson™ Saucer Wall Sconce	678
H763X	Nelson™ Saucer Bubble Pendant	669
H766M	Nelson™ Apple Bubble Pendant	661
H770C	Nelson™ Pear Crisscross Bubble Pendant	672
H770L	Nelson™ Pear Lotus Floor Lamp	688
H770L	Nelson™ Pear Lotus Table Lamp	682
H770M	Nelson™ Pear Bubble Pendant	667
H770S		
H770S	Nelson™ Pear Wall Sconce	677
H770T	Nelson™ Pear Tripod Lamp	686
HA-BE	Beware of Imitations Poster	633
HA-CC	Cu-Clock, 4-Pack	638
HA-CO	360° Container (5 drawer w/casters)	637
HA-CR	Steelwood Coat Stand	642
HA-DP	Dalmatian Puppy	641
HA-FC	Nelson™ Firewood Caddy	634
HA-FP	Nelson™ Fireplace Tool Set	635
HA-GT	Girard® Throw	631
HALFN	Half Nelson™ Lamp	679
HA-PP	Puppy, 2-Pack	640
HA-TH	Trash Bin, 4-Pack	644
HA-TO	Textiles & Objects Poster	632
HA-TT	Transit Folding Trolley	643
HA-US	Umbrella Stand	639
HIA91	Eames® Hang-It-All®	629
HIABK		
HIAML		
HIAOU		
HIAUL		

IN50	Noguchi® Table	472
IN52	Noguchi® Rudder Table	473
IWCM2	Domino Credenza	552
IWCM3	Domino Credenza	555
IWCM4	Domino Credenza	556
IWCS2	Domino Credenza	547
IWCS3	Domino Credenza	549
IWCS4	Domino Credenza	551
IWSM2	Domino Sideboard	554
IWSM3	Domino Sideboard	557
IWSM4	Domino Sideboard	558
IWSS2	Domino Sideboard	548
IWSS3	Domino Sideboard	550
IWSS4	Domino Sideboard	553
JA	Silverware Drawer Insert	581
JCH1-	H-Frame Credenza One Unit Wide	559
JCH1S	H-Frame Credenza Stone Top	580
JCH2-	H-Frame Credenza Two Units Wide	566
JCH2S	H-Frame Credenza Stone Top	580
JCH3-	H-Frame Credenza Three Units Wide	570
JCH3S	H-Frame Credenza Stone Top	580
JCH4-	H-Frame Credenza Four Units Wide	574
JCH4S	H-Frame Credenza Stone Top	580
JCS1-	Sled Base Pedestal	582
JCS1S	Sled Base Pedestal Stone Top	597
JCS2-	Sled Base Credenza Two Units Wide	585
JCS2S	Sled Base Credenza Two Units Wide and Stone Top	600
JCS3-	Sled Base Credenza Three Units Wide	588
JCS3S	Sled Base Credenza Three Units Wide and Stone Top	603
JCS4-	Sled Base Credenza Four Units Wide	591
JCS4S	Sled Base Credenza Four Units Wide and Stone Top	606
JMS1-	Sled Base Mobile Pedestal	609
JMS1S	Sled Base Mobile Pedestal Stone Top	615
JMS2-	Sled Base Mobile Credenza	612
JMS2S	Sled Base Mobile Credenza Stone Top	618
LCM.	Eames® Molded Plywood Lounge Chair Metal Base	117
LCW.	Eames® Molded Plywood Lounge Chair Wood Base	119
LTRT.	Eames® Wire Base Low Table	469
LTRT.	Eames® Wire Base Low Table Outdoor	717
MAS18	Spot Stool	246
MAS24		
MAS30		
MC9A.	Uncino Chair, Version A	66
MC9B.	Uncino Chair, Version B	67
MC9C.	Uncino Chair, Version C	68
MC9F.	Uncino Stool, Fixed	235
MC9S.	Uncino Stool	234

Index by Product Number *continued*

MC13B. Facile Bench	457	MGM01. Medici Chair Outdoor	705
MC13T. Facile Table	456	MGM21. Medici Bench Outdoor	706
MC14C. Primo Chair	62	MGN00. Spun Rotating Chair	708, 138
MC14T. Primo Table	453	MGP10. Paso Doble Chair Outdoor	695
MC15CL. Quindici Chaise Longue	145	MGQ70. Officina Bistro Table	440
MC15L. Quindici Lounge Chair	144	MGQ70. Officina Console Table	442
MGA00. Air-Chair	696, 36	MGQ70. Officina Fratino Table	441
MGA01. Air-Folding Chair	697, 38	MGQ70. Officina Pedestal Table	443
MGA70. Air-Table	712, 434	MGQ70. Officina Table	438
MGA90. Air-Chair to Air-Chair Connector	37	MGR00. Branca Chair	56
MGB20. Al Bombo® Stool	219	MGR20. Branca Stool	227
MGB21. Bombo® Stool	221	MGR70. Branca Table	455
MGB90. Al Bombo® Kit	220	MGS00. Steelwood Chair	47
MGC00. Folly	255	MGS00. Steelwood Upholstered Chair	48
MGC90. Folly Floor Kit	256	MGS20. Steelwood Stool	224
MGCH00Chiaro Chair	57	MGS70. Steelwood Table	445
MGCH03Chiaro Stool	228	MGS71. Steelwood Extending Table	447
MGCL00 Clerici Armchair	139	MGS72. Steelwood Table System	446
MGCL02 Clerici Two Seat Bench	140	MGS90. Steelwood Shelving System	545
MGCL03 Clerici Three Seat Bench	141	MGT70. Tavolo XZ3 Table	452
MGD00. Deja-Vu Chair	701, 44	MGTJ20. Tom & Jerry Stool	230
MGD20. Deja-Vu Stool	710, 222	MGU00. Venice Chair	702, 53
MGD70. Deja-Vu Table	437	MGU90. Venice Cushion	54
MGE00. Chair_One	699, 41	MGV20. Medici Ottoman	143
MGE00. Chair_One Stacking Base	698, 40	MGV21. Medici Ottoman Outdoor	707
MGE20. Stool_One	709, 225	MGV70. Medici Table	462
MGE70. Table_One	715, 450	MGV71. Medici Table Outdoor	711
MGE80. Table_One Bistro	716, 451	MGW70. Striped Tavolo	448
MGE90. Chair_One Cushion	42	MGX00. Dressed First	43
MGE91. Stool_One Cushion	226	MGY01. Troy Upholstered Chair	51
MGF00. Chair First	700, 39	MGY08. Troy Plastic Chair	49
MGF70. Table First	449	MGZ00. Solo Chair	61
MGG70. Baguette Table	713, 435	MGZ02. Solo Stool	231
MGG80. Central Table	714, 436	MGZ70. Solo Table	458
MGG90. Pizza Table	461	NC526. Nelson™ Miniature Chest 6 Drawer	536
MGH00. He Said Chair	58	NC529. Nelson™ Miniature Chest 9 Drawer	537
MGH01. She Said Chair	59	NC556. Nelson™ Miniature Chest 6 Drawer	536
MGH02. She Said Lowide Chair	60	NC559. Nelson™ Miniature Chest 9 Drawer	537
MGH03. She Said Stool	229	NS585. Nelson™ Swag Leg Desk	412
MGJ00. Osso Chair	55	NS585. Nelson™ Swag Leg Dining Table Rectangular	429
MGJ01. Osso Stool	232	NS585. Nelson™ Swag Leg Dining Table Round	430
MGJ70. Osso Table	460	NS585. Nelson™ Swag Leg Work Table	431
MGK01. Tronco Stacking Chair	63	NX100. Nelson™ X-Leg Table	432
MGK70. Tronco Table	459	PACCF. Eames® Task Chair, Arm Shell	282
MGK91. Tronco Connector	65	PACCP.	
MGK99. Tronco Dolly	64	PBC. Nelson™ Platform Bench Cushion	258
MGM00. Medici Chair	142	PB. Nelson™ Platform Bench	257

Index by Product Number *continued*

Index: Product Number

PROP	Nelson™ Propeller Bubble Pendant	668	SD225		
PS16	Nelson™ Pedestal Stool	218	SD226	Officina Ottoman	125
PSCCD.	Eames® Task Chair, Side Shell	284	SEB1B	Crosshatch Stool	248
PSCCF.			SEB1C		
PSCCP.			SES1A	Crosshatch Lounge Chair	148
PSCCR.			SES1W		
PTA	Geiger Textile Pillow	659	SES2A	Crosshatch Side Chair	88
PTB			SES2W		
PTC			SES3A	Crosshatch Ottoman	151
PTD			SES3W		
PWL14	Polygon Wire Table	519	SFA1P	Taper Chair	289
PWL22			SFA1S		
PWL26			SFA1T		
PWM14			SFA2P		
PWM18			SFA2S		
PWM26			SFA2T		
PWS16			SFT1A	Full Twist™ Guest Chair	73
PWS20			SFT1M		
PWS26			SFT1N		
RAR.	Eames® Molded Plastic Armchair Rocker Base	114	SFT1W		
RAR.	Eames® Upholstered Molded Plastic Armchair Rocker Base	115	SJAA	Reframe Mid-Back Lounge Chair	154
SBEV-	Envelope® Chair	69	SJAW		
SBLAC	Landmark Low Arm Chair	77	SJBA	Reframe High-Back Lounge Chair	157
SBLAF			SJBW		
SBLLC	Landmark Chair	80	SJCA	Reframe Wing-Back Lounge Chair	160
SBLLF			SJCW		
SBN1H	Saiba Conference Chair	87	SNS1A	Nessel Chair	83
SBN1M			SNS1W		
SBN3H	Saiba Multitask Chair	288	SNS2A		
SBN3M			SNS2W		
SBN5H	Saiba Lounge	203	ST1AN	Tuxedo Component Lounge™ Club Chair	172
SBN6	Saiba Ottoman	204	ST1AQ		
SBN7M	Saiba Guest Chair	205	ST1BN	Tuxedo Component Lounge™ Ottoman	174
SBR4N	Bumper Lounge Chair	146	ST1BQ		
SBR5N	Bumper Conference Chair	286	ST1NN	Tuxedo Component Lounge™ Club Chair	172
SBRA-	Rolled Arm Club Chair	162	ST1NQ		
SBRA-	Rolled Arm Sofa	394	ST2AL	Tuxedo Component Lounge™ Settee	353
SBRLN	Bumper Side Chair	71	ST2AN		
SBSC-	Scissor Chair	168	ST2AQ		
SBSD-			ST2AR		
SBSU-	Sled Chair	170	ST2BN	Tuxedo Component Lounge™ Bench	260
SD205	Officina Chair	46	ST2BQ		
SD207	Officina Stool	223	ST2CL	Tuxedo Component Lounge™ Settee Corner	357
SD220	Officina Low Chair	123	ST2CR		
SD222	Officina Bench	254	ST2MN	Tuxedo Component Lounge™ Corner Sofa with Attached Settee	362
SD223	Officina Armchair	124	ST2MQ		
SD224	Officina Sofa	399			

Index by Product Number *continued*

ST2NN	Tuxedo Component Lounge™ Settee	353	SX2NL		
ST2NQ			SX2NR		
ST3AL	Tuxedo Component Lounge™ Sofa	351	SZ1AB	Tuxedo Classic Club Chair	185
ST3AN			SZ2AB	Tuxedo Classic Settee	366
ST3AQ			SZ2AL		
ST3AR			SZ2AN		
ST3BN	Tuxedo Component Lounge™ Museum Bench	262	SZ2AR		
ST3BQ			SZ2CL	Tuxedo Classic Corner Settee	371
ST3CL	Tuxedo Component Lounge™ Sofa Corner	360	SZ2CR		
ST3CR			SZ2ZL		
ST3DN	Tuxedo Component Lounge™ Daybed	176	SZ2ZR		
ST3DQ			SZ3AB	Tuxedo Classic Sofa	375
ST3MN	Tuxedo Component Lounge™ Corner Sofa with Attached Sofa	364	SZ3AL		
ST3MQ			SZ3AN		
ST3NN	Tuxedo Component Lounge™ Sofa	351	SZ3AR		
ST3NQ			SZ3CL	Tuxedo Classic Corner Sofa	379
STGP	Tuxedo Ganging Plate	407	SZ3CR		
SVMP	Leeway™ Metal Frame Side Chair	95	SZ3ZL		
SVMUA			SZ3ZR		
SVMUW			TB100	Distil Desk	413
SVMWA			TB200	Distil Table	414
SVMWW			TE0204	Nelson™ Thin Edge Double Dresser	544
SVSPB	Leeway™ Stool	251	TE1618	Nelson™ Thin Edge Bedside Table	539
SVSPC			TE2100	Nelson™ Thin Edge Chest	540
SVSUA			TE2134	Nelson™ Thin Edge Cabinet	541
SVSUW			TE2167	Nelson™ Thin Edge Buffet	543
SVSWA			TE3400	Nelson™ Thin Edge Chest Cabinet	542
SVSWW			TE5088	Nelson™ Daybed	623
SVV4A	Brabo Lounge Chair	208	TE5089		
SVV4W			TE5090		
SVV5A	Brabo Settee	388	TE5491	Nelson™ Thin Edge Bed	624
SVV5W			TE5492		
SVV6A	Brabo Sofa	391	TE5493		
SVV6W			TE5494		
SVWUA	Leeway™ Wood Side Chair	92	TE5495		
SVWUW			TT1AA	Wood Base Club Chair	211
SVWWA			TT1AW		
SVWWW			TT1BA	Wood Base Ottoman	214
SX1AL	Tuxedo Component Lounge with Table - One Seat	178	TT1BW		
SX1AR			TT2AA	Wood Base Settee	401
SX1NL			TT2AW		
SX1NR			TT3AA	Wood Base Sofa	404
SX2AL	Tuxedo Component Lounge with Table - Two Seats	182	TT3AW		
SX2AR			XXSD1	Stanley Chair	91
SX2CL			XXSD2	Mila Chair	694, 45
SX2CR			XXSD2	Traffic Armchair Leather	127
			XXSD2	Traffic Armchair Upholstered	126

Index by Product Number *continued*

Index: Product Number

XXSD2 Traffic Armchair Upholstered (Suitable for Outdoor Use)	128
XXSD2 Traffic Chaise Lounge Leather	136
XXSD2 Traffic Chaise Lounge Upholstered	135
XXSD2 Traffic One-Seater Bench Leather	266
XXSD2 Traffic One-Seater Bench Upholstered	264
XXSD2 Traffic One-Seater Bench Upholstered (Suitable for Outdoor Use)	265
XXSD2 Traffic Platform Leather	271
XXSD2 Traffic Platform Upholstered	270
XXSD2 Traffic Tablet in Acrylic Stone	137
XXSD2 Traffic Three-Seater Sofa Leather	134
XXSD2 Traffic Three-Seater Sofa Upholstered	132
XXSD2 Traffic Three-Seater Sofa Upholstered (Suitable for Outdoor Use)	133
XXSD2 Traffic Two-Seater Bench Leather	269
XXSD2 Traffic Two-Seater Bench Upholstered	267
XXSD2 Traffic Two-Seater Bench Upholstered (Suitable for Outdoor Use)	268
XXSD2 Traffic Two-Seater Sofa Leather	131
XXSD2 Traffic Two-Seater Sofa Upholstered	129
XXSD2 Traffic Two-Seater Sofa Upholstered (Suitable for Outdoor Use)	130
XXTV2 Traffic Low Side Table	525
XXTV2 Traffic Low Side Table, Suitable for Outdoor Use	526
XXTV2 Traffic Low Square Table	523
XXTV2 Traffic Low Square Table, Suitable for Outdoor Use	524
XXTV2 Traffic Low Table	521
XXTV2 Traffic Low Table, Suitable for Outdoor Use	522

20-Day or Less/Assigned Lead-Time Order Information

20-Day or Less and Assigned Lead-Time Programs

20-day or less and assigned lead-time products are designed for established Herman Miller dealers with pre-approved credit.

Products are distributed from multiple manufacturing facilities across the United States. All products and options not designated by an Assigned Lead-Time icon **A** will ship in 20 business days or less after being acknowledged by Herman Miller. Products and options designated by an **A** are on the assigned lead-time program and will ship in 20 days, less than 20 days, or more than 20 days from order acknowledgement.

Ordering Procedure

Please place orders through Order Manager. If this is not available to you, place orders through mail or fax. Verbal purchase orders will not be accepted.

Order Entry fax number for Passage®, 5000 Series, and Meridian® Filing and Storage: (616) 846 9236.

Order Entry fax number for all other products:
(616) 654 3085.

For more information, contact your Customer Care representative at:
(866) 854 3048 EXT 3400.

Shipments and Delivery

Per Herman Miller Terms and Conditions.

Changes and Cancellation

Per Herman Miller Terms and Conditions.

Stain-to-Match Program

Stain-to-Match Program

Program Overview

The Stain-to-Match program gives you the option of using veneer finishes that are not listed in the standard offering. The program allows Herman Miller to match a customer's existing recut or natural veneer, or create a new finish that is unique to an installation.

Specific information on approval, ordering, pricing, and warranty for the Stain-to-Match program is listed below. Questions and requests for assistance may be directed to Herman Miller Options at:

(800) 654 3910

Stain-to-Match Process

1. Fill out the Options Stain-to-Match Request Form and send along with a color sample (2" x 3" minimum) to the Herman Miller Options Applications Team at the address provided on the form. The form can be found on Omni.
2. Within 7-10 working days, Herman Miller Options will send a sample of the color-matched stain on Herman Miller veneer to the requester for the customer's signed approval.
3. If the sample meets the customer's approval, sign the reverse side of the sample, scan and email the approval to:
options@hermanmiller.com.
4. After the stain has been approved, a formal quotation with special number and pricing can be provided, or the product can be specified through the Vary Easy program, if available. Work with the Options team on final product needs and how to specify.
5. A purchase order can then be placed.

Stain-to-Match Warranty

Herman Miller warrants its products to be free from defects in craftsmanship from the date of delivery for the applicable warranty period. Herman Miller is responsible for the physical properties of the veneers available through the Stain-to-Match program, which include:

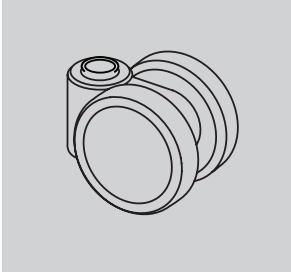
- STA: Stain-to-Match on Recut Ash
- STB: Stain-to-Match on Beech
- STC: Stain-to-Match on Cherry
- STD: Stain-to-Match on Oak
- STK: Stain-to-Match on Reltech Anigre (Geiger)
- STM: Stain-to-Match on Recut Mahogany
- STP: Stain-to-Match on Maple
- STU: Stain-to-Match on Walnut (Geiger)

See your specification tool for product specific finish offering limitations.

Casters and Glides

▲	WARNING	▲
Depending on the floor surface, chair may unexpectedly roll away from user when entering or exiting the chair, possibly leading to unexpected injury. Please refer to descriptions of floor types when selecting casters.		

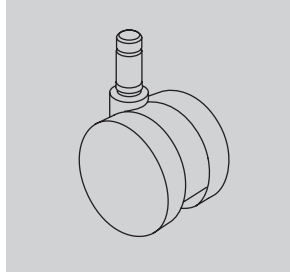
32 Caster



17/8-inch-diameter hard double-wheel caster; black nylon wheels and yoke; for use on carpet only

Applicable on:
Keyn Chairs
Sayl® Chairs

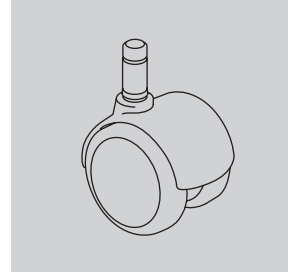
BB Caster



2 1/2-inch-diameter hard double-wheel caster; black nylon wheels and yoke; for use on carpet only

Applicable on:
New Aeron® Chairs
Caper® Chairs
Celle® Chairs
Embody® Chairs
Equa 2® Chairs
Ergon 3® Chairs
Lino™ Chairs Sayl Chairs
Mirra 2 Chairs Verus™ Chairs

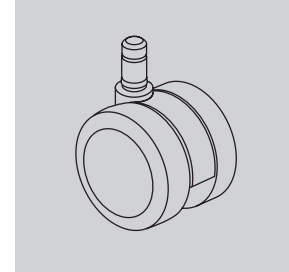
BSC Caster



2-inch-diameter double-wheel caster; black nylon wheels and hood; soft polyurethane tread; for use on hard floors or carpet

Applicable on:
Eames® Aluminum Group
Eames Executive Chairs
Eames Soft Pad Group
Eames Task Chairs

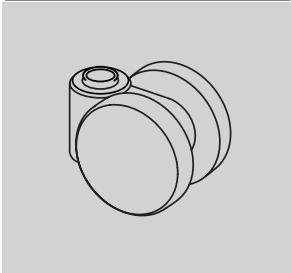
C9 Caster



2 1/2-inch-diameter double-wheel caster; black nylon wheels and yoke; soft polyurethane tread; internal brake; for use on hard floors or carpet

Applicable on:
Caper Chairs
Celle Chairs
Embody Chairs
Equa 2 Chairs
Ergon 3 Chairs
Keyn Chairs Sayl Chairs
Lino Chairs Setu® Stools
Mirra 2 Chairs Verus Chairs

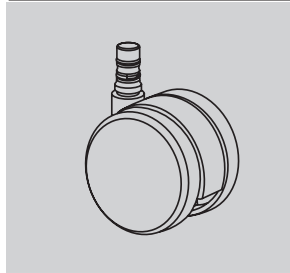
49 Caster



1 7/8-inch-diameter soft double-wheel caster; black nylon wheels and yoke; for use on hard floors or carpet

Applicable on:
Keyn Chairs
Sayl Chairs

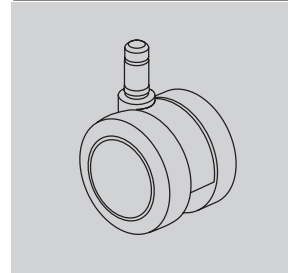
BKS Caster



2 1/2-inch-diameter hard double-wheel caster; black yoke; quiet roll technology; for use on carpet only

Applicable on:
Cosm™ Chairs

C7 Caster



2 1/2-inch-diameter double-wheel caster; black nylon wheels and yoke; soft polyurethane tread; for use on hard floors or carpet

Applicable on:
New Aeron Chairs
Caper Chairs
Celle Chairs
Embody Chairs
Equa 2 Chairs
Ergon 3 Chairs
Lino Chairs
Mirra 2 Chairs
Sayl Chairs Verus Chairs

CA Caster



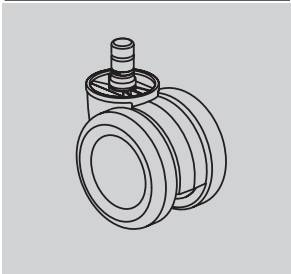
2-inch-diameter single-wheel caster; black rubber wheel with black yoke; for use on hard floors or carpet

Applicable on:
Co/Struc® System

Casters and Glides

continued

DC1 Caster

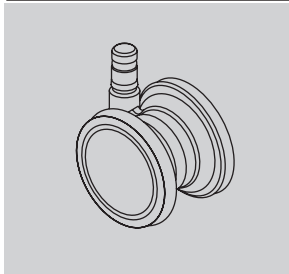


2 1/2-inch-diameter double-wheel braking caster; black nylon wheels and yoke; for use on hard floors or carpet; quiet roll technology

Applicable on:

New Aeron Chairs

H9 Caster

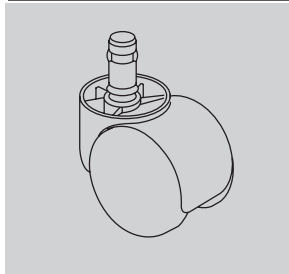


2 1/2-inch-diameter double-wheel caster; clear polycarbonate wheels; nylon yoke; soft polyurethane tread; for use on carpet only.

Applicable on:

Embody Chairs
Keyn Chairs
Setu Chairs

HW Caster

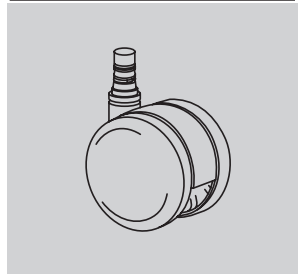


2-inch-diameter double-wheel caster; black nylon wheels and hood; for use on carpet only

Applicable on:

Limerick® Cart

O2 Caster

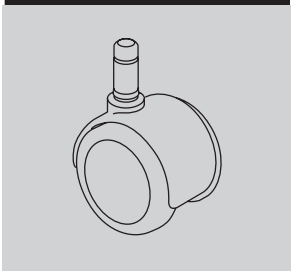


2 1/2-inch-diameter double-wheel caster; nylon wheels and yoke; soft polyurethane tread; quiet roll technology; for use on hard floors or carpet

Applicable on:

Cosm Chairs

DS Caster

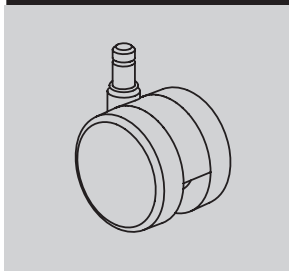


2-inch-diameter soft double-wheel braking caster; black nylon wheels and hood; for use on hard floors only

Applicable on:

Aside® Chairs
Caper Chairs

HCC Caster

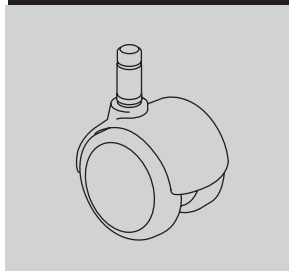


2 1/2-inch-diameter double-wheel medium roll resistance caster; black yoke; for use on hard floors or carpet.

Applicable on:

Keyn Chairs
Setu Chairs

MD Caster

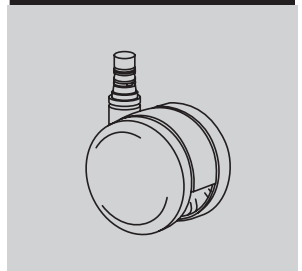


2-inch-diameter double-wheel caster; black nylon wheels with integral chrome hood; soft polyurethane tread; for use on hard floors or carpet

Applicable on:

Eames® Aluminum Group
Eames Executive Chairs
Eames Soft Pad Group
Eames Task Chairs

OC Caster



2 1/2-inch-diameter double-wheel medium roll-resistant caster; black nylon wheels and yoke; soft polyurethane tread; for use on hard floors or carpet; quiet roll technology

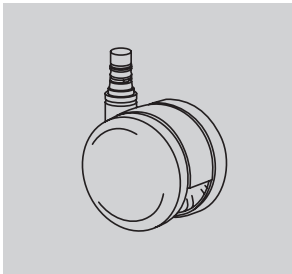
Applicable on:

Cosm Chairs
Keyn Chairs
Setu Chairs

Casters and Glides

continued

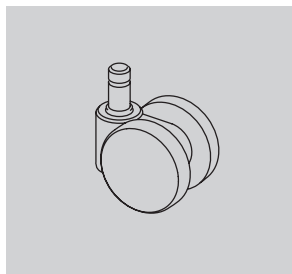
SC8 Caster



2 1/2-inch-diameter double-wheel caster; black nylon wheels and yoke; soft polyurethane tread; quiet roll technology; for use on hard floors or carpet

Applicable on:
Cosm Chairs
Mirra 2 Chairs

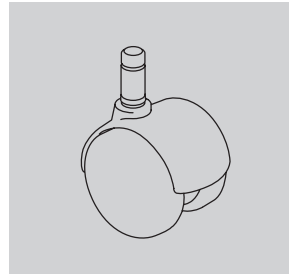
U4 Caster



1 7/8-inch-diameter hard double-wheel caster; black nylon wheels and yoke; for use on carpet only

Applicable on:
Aside Chairs
Caper Chairs
Verus Chairs

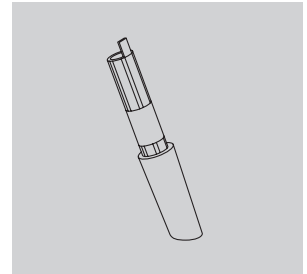
UD Caster



2-inch-diameter hard double-wheel caster; black nylon wheels with painted hood; for use on carpet only

Applicable on:
Eames® Aluminum Group
Eames Executive Chairs
Eames Soft Pad Group
Eames Task Chairs

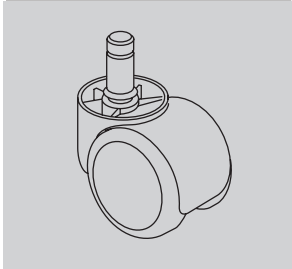
16 Glide



(Front glide shown)
2 1/8-inch-high glide; black or fog acetal; for use on carpet only

Applicable on:
Sayl Chairs

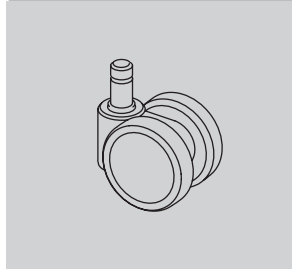
SW Caster



2-inch-diameter soft double-wheel caster; black nylon wheels and hood; for use on hard floors only

Applicable on:
Limerick Cart

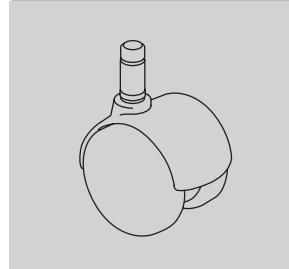
U5 Caster



1 7/8-inch-diameter soft double-wheel caster; black nylon wheels and yoke; for use on hard floors or carpet

Applicable on:
Aside Chairs
Caper Chairs
Verus Chairs

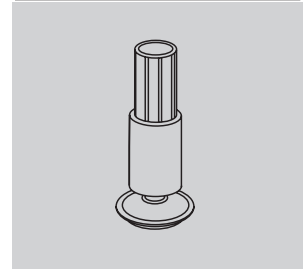
VD Caster



2-inch-diameter hard double-wheel caster; black nylon wheels with integral chrome hood; for use on carpet only

Applicable on:
Eames Aluminum Group
Eames Executive Chairs
Eames Soft Pad Group
Eames Task Chairs

69 Glide



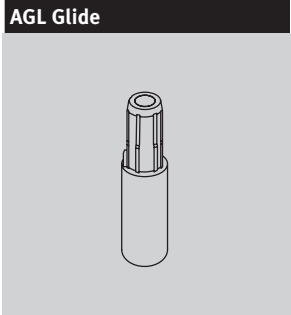
(Front glide shown)
2 1/8-inch-high glide; black glass-filled nylon stem; steel-plated swivel foot with Floor Saver Glide™ insert; for use on hard floors only

Applicable on:
Sayl Chairs

Casters and Glides

continued

Appendix: Casters and Glides



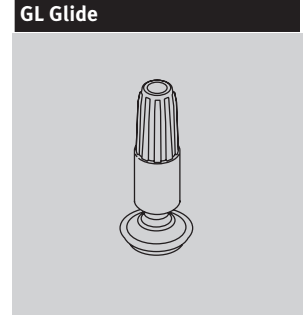
AGL Glide
 2¹/₄-inch-high glide; black or white nylon stem; for use on carpet only
 Applicable on:
 Keyn Chairs



G4 Glide
 1⁷/₈-inch-high glide; black acetal; for use on carpet only
 Applicable on:
 Verus Chairs



GF Glide
 2¹/₂-inch-high glide; black nylon; for use on hard floors or carpet
 Applicable on:
 New Aeron Chairs
 Caper Chairs
 Celle Chairs
 Cosm Chairs
 Equa 2 Chairs
 Ergon 3 Chairs
 Mirra 2 Chairs
 Sayl Chairs



GL Glide
 1⁷/₈-inch-high glide; black nylon stem; steel-plated swivel foot with Floor Saver Glide™ insert; for use on hard floors only
 Applicable on:
 Verus chairs



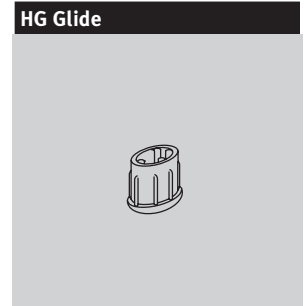
FSG Glide
 2¹/₄-inch-high glide; black or white nylon stem; steel-plated swivel foot with Floor Saver Glide™ insert; for use on hard floors only
 Applicable on:
 Keyn Chairs



GD Glide
 1¹/₂-inch-diameter glide; 1/2 inch in height; black nylon; for use on hard floors or carpet
 Applicable on:
 Eames Aluminum Group
 Eames Executive Chairs
 Eames Soft Pad Group
 Eames Task Chairs



GG Glide
 1/2-inch-high ganging glide; clear polycarbonate; for use on hard floors or carpet
 Applicable on:
 Limerick Chairs



HG Glide
 1/2-inch-high glide; black nylon glide with stainless-steel insert; for use on hard floors or carpet
 Applicable on:
 Aside Chairs

Casters and Glides

continued

SB Glide

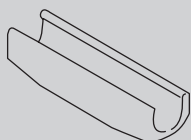


1/4-inch-high, 1-inch diameter glide; thermoplastic CAP material (G1 base has black glides; XT base has clear glides); for use on hard floors or carpet

Applicable on:

Equa 2 Chairs

SG Glide (for Limerick)

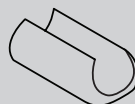


1/2-inch-high glide; clear polycarbonate; for use on hard floors or carpet

Applicable on:

Limerick Chairs

XS Glide

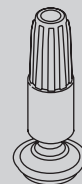


1/8-inch-high glide; polycarbonate in black, fog, clear, and studio white finishes; for use on hard floors or carpet

Applicable on:

Sayl Chairs

YX Glide



1 7/8-inch-high glide; black nylon stem; steel-plated swivel foot with Floor Saver Glide™ insert; for use on hard floors only

Applicable on:

Caper Chairs

SG Glide (for Aside)



1/2-inch-high glide; black nylon; for use on carpet only

Applicable on:

Aside Chairs

X8 Glide



Glide; low profile; for use on hard floors or carpet

Applicable on:

Setu Chairs

Y7 Glide



1 7/8-inch-high glide; black acetal; for use on carpet only

Applicable on:

Caper Chairs



Customer's Own Material/Customer's Own Leather Order Information — Seating

Packaging

Packaging varies according to individual product. A surcharge may be added for special packaging requests. Contact Customer Care for specific information.

Customer's Own Material/Customer's Own Leather

Program Overview

The Customer's Own Material (COM) and Customer's Own Leather (COL) program gives you the option of using textiles other than those listed. Herman Miller will test textiles for application to Herman Miller products and will process orders for those with approved COM/COL textiles only. COM/COL are assigned lead-time textiles.

Omni lists an overview of fabrics and leathers that have been tested and indicates whether or not they were approved for application to Herman Miller products.

Specific information on the terms and conditions, testing, approval, and ordering process for COM/COL is listed below. Questions about the COM/COL program and requests for assistance may be directed to your COM representative at:

(616) 654 3400

(866) 854 3048 EXT 6543400

Customer's Own Material/Customer's Own Leather Warranty

Herman Miller does not warrant COM/COL textiles. COM/COL textiles are tested for application only; they are not tested for performance. The Herman Miller warranty does apply to the underlying products.

Suppliers of COM/COL textiles are responsible for color consistency within commercial tolerances, UV stability, and resistance to soiling and perspiration.

Customer's Own Material/Customer's Own Leather Pricing

COM is a Category 1 fabric. There are no application charges for COM fabrics. COL is a Category 7 textile; refer to prices on specific products to determine the application charge.

Ordering and payment for COM/COL textile yardage are the responsibility of the customer and the textile supplier.

If desired, Herman Miller will purchase COM textiles directly from True Textiles, C.F. Stinson, Luna Textiles, Maharam, and Momentum Textiles to simplify ordering and shipment. For this service, refer to the Supplier Connection program.

Textile Approval

1. Select a COM/COL textile and a Herman Miller product.
2. If your textile is not listed in Omni, obtain a test number from a COM representative at (616) 654 3400. You can also submit your request within Omni. Please have the following information ready before calling: textile name, number, pattern, roll width, and the product you will apply it to.

Additional yardage may be needed due to the unique characteristics of a textile. All package labels must include the words "COM test" or "COL test" and the assigned COM/COL test number.

3. Herman Miller will notify you of approval or disapproval within 4 days from receipt of the test yardage.

Ordering Products with COM/COL

1. Refer to the specific products to determine the yardage required for COM/COL textiles.
2. If your textile is not listed in Omni, call a COM representative at (616) 654 3400 or (866) 854 3048 EXT 6543400. The representative will assign an identification number for your textile (ID#) and will verify yardage requirements for your order. Additional yardage may be needed due to the unique characteristics of a textile.
3. Enter your order on Order Manager in Omni.
4. Upon receipt of your purchase order, Herman Miller will send you a PO acknowledgment.
5. Arrangements must be made for the textiles to be shipped from the supplier to Herman Miller for application to the seating products. Textiles must be tagged with the assigned identification number and the roll yardage quantity. See Omni for shipping procedures and current shipping addresses or contact a COM representative at (616) 654 3400 or (866) 854 3048 EXT 6543400.

Products will be scheduled for production when COM/COL textiles are received at Herman Miller. Standard lead times in effect at that time will apply.

Note: If textiles are to be purchased directly by Herman Miller through the Supplier Connection program, Herman Miller will handle the ordering and shipping process and will schedule your order for production upon receipt of your purchase order (dependent on textile availability). Refer to the Supplier Connection program for more information.

Customer's Own Material/Customer's Own Leather Order Information — Seating

continued

Supplier Connection

Program Overview

The Supplier Connection program is a service offered by Herman Miller to purchase approved COM textiles directly from True Textiles, C.F. Stinson, Luna Textiles, Maharam, and Momentum Textiles. When you select a textile through this program, Herman Miller will facilitate the ordering, scheduling, and shipment of the textile directly with the supplier.

Suppliers included in the Supplier Connection program keep an active inventory of textiles that are pre-approved for application to Herman Miller products. Pre-approval applies only to the suitability of a textile for manufacturing and application to a Herman Miller product. Omni provides an overview of fabrics that have been tested and indicates whether or not they were approved for application to Herman Miller products.

Specific information on the terms and conditions, testing, approval, and ordering process for the Supplier Connection program is listed below. Questions and requests for assistance may be directed to your COM representative at:

(616) 654 3400

(866) 854 3048 EXT 6543400

Supplier Connection Warranty

Textiles purchased by Herman Miller through the Supplier Connection program are COM and are not warranted by Herman Miller. COM textiles are tested for application only; they are not tested for performance. The Herman Miller warranty does apply to the underlying products.

Suppliers of COM textiles are responsible for color consistency within commercial tolerances, UV stability, and resistance to soiling and perspiration.

Supplier Connection Pricing

Textiles purchased by Herman Miller through the Supplier Connection program are COM. COM is a Category 1 fabric. There are no application charges for COM fabrics.

Payment for textiles purchased by Herman Miller through the Supplier Connection program is the responsibility of the customer or dealer. Herman Miller will invoice the order at the supplier's prices published at the time of the order.

Textile Approval

1. Refer to Omni to identify the approval status of the textile. If your textile is not listed, contact the COM Department to request testing for application to Herman Miller products.
2. Herman Miller will notify you of approval or disapproval in approximately 4 days from receipt of the test yardage. If the textile is approved, it will be assigned a COM identification number.

Ordering Products with Supplier Connection COM

1. Identify and include the following information on your purchase order:
 - Product number and option
 - Herman Miller's COM identification number
2. Enter your order on Order Manager in Omni.
3. Upon receipt of the purchase order, Herman Miller will process your order and send you a PO acknowledgment. Herman Miller will determine the yardage required to produce your product and will order and schedule for delivery the required textile. Standard lead times in effect at the time the textile is allocated at the supplier will apply to products ordered through this program.

Proprietary Textiles Application Chart — Collection Seating

• Available

[A] Assigned lead-time textile.

See below for exception notes.

[N] Non-woven textile.

	Chadwick Modular Seating	Eames® Aluminum Group Outdoor	Eames Aluminum Group Chairs/Ottomans	Eames Soft Pad Group Chairs/Ottomans	Eames Executive Chairs	Eames Lounge Chairs/Ottomans	Eames Molded Fiberglass/Plastic/Wood Chairs Upholstered Seat Pad	Eames Molded Fiberglass/Plastic Chairs Upholstered	Eames Molded Plywood Chair Upholstered	Eames Wire Chair Upholstered Seat Pad	Eames Sofa Compact	Eames Sofa, 2 and 3 Seat	Goetz™ Sofa	Module Lounge Seating	Nelson™ Daybed Cushion/Bolsters	Nelson Platform Bench Cushion	Nelson Marshmallow Sofa	Nelson Pedestal Stool	Bevel Sofa/Bolster Sofa	Brabo Lounge Seating	Bumper Seating	Crosshatch Lounge Chair/Ottoman	Full Twist™ Chair/Landmark™ Chair	Nessel Chair	Envelope™ Chair	Rolled Arm Sofa Group	Saiba Seating	Scissor™ Chair	Sled™ Chair	Striad Lounge Chair/Ottoman	Tuxedo Component Lounge/Tuxedo Classic Seating — Non-quilted	Tuxedo Component Lounge/Tuxedo Classic Seating — Quilted	Wireframe™ Sofa Group
Price Category 10																																	
5-5__ Bristol Leather - Geiger Textile (5-6__)			•	•	•	•			•			•	•	•				•	•	•	•	•	•	•	•	•	•	•	•	•	•	•	•
196__ Moleskin Emboss - Geiger Textile										13		•								•													
Price Category 11																																	
1R__ MCL Leather [A]			•	•	•	•	•	•	•			•	•	•				•	•	•	•	•	•	•	•	•	•	•	•	•	•	•	•
175__ Tenera Leather - Geiger Textile												•	•	•				•	•	•	•	•	•	•	•	•	•	•	•	•	•	•	•

1 Refer to price book appendices and Omni for COM/COL information.
 6 Not available on Landmark Chair.
 7 Available only on Eames Aluminum Group Chair EA334, EA335.

9 Not available in Bristol Leather 5-597 Pure on Saiba Chair.
 13 Fabric is railroaded.



Proprietary Textile Colors — Collection Seating

Price Category 1

Customer's Own Material
See Order Information in Appendices. Assigned lead-time textile. ^A

ColorGuard	
54" wide	
100% vinyl	
3P01	Grey
3P02	Navy
3P03	Spruce ^A
3P08	Blueberry ^A
3P12	Black Plum ^A
3P14	Black
3P19	Slate
3P31	Horizon Blue ^A
3P33	Pumice
3P54	Candy Apple ^A
3P72	Allspice ^A
3P96	Manzanita ^A
3P97	Fudge ^A
3PB2	Sea Grass ^A
3PB5	Vizcaya Palm ^A
3PB9	Neptune ^A
3PC7	Bucksuede ^A
3PD4	Otter ^A

^A Assigned lead-time color.

Dex	
54" wide	
50% recycled polyester	
50% polyester	
3DE01	Frost
3DE02	Silver Pine
3DE03	Stone
3DE04	Shale
3DE05	Charcoal

Gem	
54" wide	
100% antimony-free polyester	
9501	Sesame
9502	Tangerine
9503	Red
9504	Red Violet
9505	Mulberry
9506	Java
9507	Twilight
9508	Bayou
9509	Iris
9510	Berry Blue
9511	Aqua Green
9512	Green Apple
9513	Spruce
9514	Black
9515	Slate Grey
9516	Fog

Lyris 2™	
74% elastomeric	
26% polyester	
4W21	Alpine
4W22	Mango
4W23	Chartreuse
4W25	erry Blue
4W26	Slate Grey
4W28	Chino
4W29	Rattan
4W30	Java
4W31	Graphite

Monologue	
54" wide	
56% recycled polyester	
44% polyester	
1MN01	Linen
1MN02	Alabaster
1MN03	Truffle
1MN04	Folkstone
1MN05	Silver Pine
1MN06	Slate
1MN07	Seed
1MN08	Yellow Oxide
1MN09	Persimmon
1MN10	Tundra
1MN11	Meadow
1MN12	Blue Sky
1MN13	Blue Spruce
1MN14	Deep Sea

Tailored	
54" wide	
56% polyester	
44% recycled polyester	
23501	Studio White
23502	Sugar
23503	Tomato
23504	Orchid
23505	Boysenberry
23506	Chive
23507	Bluegrass
23508	Cobalt
23509	Cadet
23510	Fog
23511	Graphite
23512	Black
23513	Coffee

Whisper	
54" wide	
73% recycled polyester	
27% polyester	
1WS01	Sand Dollar
1WS02	Pebble
1WS03	Silver Birch
1WS04	Iceberg
1WS05	Silver Pine
1WS06	Carbon
1WS07	Cumin
1WS08	Adobe
1WS09	Strawberry
1WS10	Blush
1WS11	Eggplant
1WS12	Willow
1WS13	Sea Grass
1WS14	Pool
1WS15	Blueberry

Proprietary Textile Colors — Collection Seating

continued

Price Category 2

Aristo	
54" wide	
88% recycled polyester	
12% polyester	
Acrylic backing	
3AR01	Forest Moss
3AR02	Light Brindle
3AR03	Mink
3AR04	Copper
3AR05	Adobe
3AR06	Cherry
3AR07	Lilac
3AR08	Green Apple
3AR09	Surf
3AR10	Waterfall
3AR11	Cadet
3AR12	Tin
3AR13	Pewter
3AR14	Grey Brindle
3AR15	Grey Black

Crepe	
54" wide	
100% recycled polyester	
9201	Licorice
9203	Smoke
9207	Cherry
9209	Claret
9212	Raisin
9218	Aquamarine
9223	Cadet
9241	Beachglass
9243	Midnight
9244	Artichoke
9248	Warm White
9249	Stone
9250	Earth
9251	Fog
9252	Slate Grey
9253	Yellow Dark
9254	Coral
9255	Blush Grey
9256	Wild Berry
9257	Clover
9258	Caribbean

Crepe continued	
9259	Cerulean
9260	Brownstone
9261	Shale
9262	Graphite
9263	Tomato
9264	Green Apple

Epic	
54" wide	
56% recycled polyester	
44% polyester	
Acrylic backing	
3EP01	Alabaster
3EP02	Smoke
3EP03	Falcon
3EP04	Citrus Spring
3EP05	Copper
3EP06	Urban Orange
3EP07	Poppy
3EP08	Wild Plum
3EP09	Sugar Plum
3EP10	Clover
3EP11	Loden
3EP12	Everglade
3EP13	Mist
3EP14	Peacock
3EP15	Cadet
3EP16	Indigo
3EP17	Spring Wood
3EP18	Grey Brindle
3EP19	Seed
3EP20	Carbon Dark

Fish Net	
55" wide	
100% recycled polyester	
22Q01	Oyster
22Q02	Stone
22Q03	Citrus
22Q04	Curry
22Q05	Chipotle
22Q06	Cherry
22Q07	Fuschia
22Q08	Claret
22Q09	Purple
22Q10	Clover
22Q11	Pesto
22Q12	Peacock
22Q13	Lagoon
22Q14	Twilight
22Q15	Bluestone
22Q16	Storm
22Q17	Black
22Q18	Cocoa

Marvel	
54" wide	
100% pvc-free polyurethane antimicrobial, antibacterial finish	
1MV01	Summer White
1MV02	Sand Dollar
1MV03	Espresso
1MV04	Folkstone Grey
1MV05	Graphite
1MV06	Onyx
1MV07	Polar Blue
1MV08	Blush Grey
1MV09	Woodrose
1MV10	Citrus
1MV11	Adobe
1MV12	Red
1MV13	Kiwi Green
1MV14	Pine
1MV15	Teal Green
1MV16	Twilight

Medley	
54" wide	
100% polyester	
1HA01	Stone
1HA02	Trail
1HA03	Charcoal
1HA04	Cinder
1HA05	Citrus
1HA06	Papaya
1HA07	Chutney
1HA08	Tundra
1HA09	Feather Grey
1HA10	Chartreuse
1HA11	Loden
1HA12	Peacock
1HA13	Bayou
1HA14	Blue Grotto
1HA15	Blueberry
1HA22	Khaki
1HA23	Pewter
1HA24	Yellow Oxide
1HA25	Vintage Rose
1HA26	Raspberry
1HA27	Acai Berry

Moiré	
54" wide	
100% recycled polyester	
3A01	Concrete
3A02	Biscotti
3A03	Rattan
3A04	Chambray
3A05	Fern
3A08	Violet
3A09	Zin
3A10	Curry
3A11	Spice
3A12	Cork

Price category 2 continued on next page

Proprietary Textile Colors — Collection Seating

continued

Price Category 2

continued

Rhythm

54" wide	
100% polyester	
3001	Kiwi Green
3002	Green Apple
3003	Peacock
3004	Bayou
3005	Berry Blue
3006	Iris
3007	Twilight
3008	Pumpkin
3009	Poppy
3010	Molasses
3011	Mulberry
3012	Khaki
3013	Mink
3014	Black
3015	Charcoal

Rivet

54" wide	
100% recycled polyester	
1RV01	Twig
1RV02	Deep Clay
1RV03	Woodrose
1RV04	Otter
1RV05	Hemlock
1RV06	Olive
1RV07	Lagoon
1RV08	Deep Sea
1RV09	Charcoal
1RV10	Grey Brindle

Twist

54" wide	
80% antimony-free polyester	
13% recycled polyester	
7% polyester	
8R05	Wicker
8R10	Poppy
8R14	Tin
8R15	Shale
8R16	Graphite
8R17	Birch
8R18	Sepia
8R22	Blueberry
8R23	Green Apple
8R26	Gunmetal

Twist continued

8R27	Cinder
8R28	Citrus
8R29	Pekoe
8R30	Tangerine
8R31	Red Plum
8R32	Wisteria
8R33	Forest
8R34	Jade Dark
8R35	Waterfall
8R36	Midnight Blue
8R37	Carbon Dark

Well Suited

55" wide	
79% polyester	
21% recycled polyester	
22T01	Oyster
22T02	Raffia
22T03	Peppermint
22T04	Wild Berry
22T05	Spring Green
22T06	Mint
22T07	Periwinkle
22T08	Cool Grey
22T09	Citrus
22T10	Pumpkin
22T11	Red
22T12	Fuschia
22T13	Orchid
22T14	Chartreuse
22T15	Green Apple
22T16	Jade
22T17	Peacock
22T18	Blueberry
22T19	Bluestone
22T20	Mink

Price Category 3

Ace

54" wide	
100% polyurethane	
Polyester knit backing	
Stain resistant finish	
3AC01	Summer White
3AC02	White Ash
3AC03	Rye
3AC04	Metal
3AC05	Clay
3AC06	Chestnut
3AC07	Citrus
3AC08	Camelback
3AC09	Chipotle
3AC10	Claret
3AC11	Slate Purple
3AC12	Artichoke
3AC13	Sepia Dark
3AC14	Aloe
3AC15	Flint
3AC16	Blue Sky
3AC17	Oceanside
3AC18	Midnight
3AC19	Spring Wood
3AC20	Frost
3AC21	Lead
3AC22	Black

Bento

54" wide	
100% antimony-free polyester	
7001	Frost
7002	Linen
7003	Khaki
7004	Truffle
7005	Grey Black
7006	Pumpkin
7007	Cranberry
7008	Everglade
7009	Cobalt

Cambrai - Geiger Textile

54" wide	
100% polyester	
Antimicrobial stain resistant finish	
Acrylic backing	
21601	Natural
21602	Khaki
21603	Hemp
21604	Pumice
21605	Lavarock
21606	Carbon
21607	Ink

Meld - Maharam

54" wide	
68% post-consumer recycled polyester	
32% polyester	
PFOA-Free stain resistant	
ZM201/466387-201	Vast
ZM202/466387-202	Panda
ZM203/466387-203	Skyline
ZM204/466387-204	Knight
ZM205/466387-205	Quill
ZM206/466387-206	Pipe
ZM207/466387-207	Grate
ZM208/466387-208	Gloss
ZM209/466387-209	Bulb
ZM210/466387-210	Bride
ZM211/466387-211	Stark
ZM212/466387-212	Seashell

Price category 3 continued on next page

Proprietary Textile Colors — Collection Seating

continued

Price Category 3

continued

Meld continued

ZM213/466387-213	Antler
ZM214/466387-214	Crater
ZM215/466387-215	Perennial
ZM216/466387-216	Mulberry
ZM217/466387-217	Fuchsia
ZM218/466387-218	Amethyst
ZM219/466387-219	Merlot
ZM220/466387-220	Magma
ZM221/466387-221	Rooster
ZM222/466387-222	Heat
ZM223/466387-223	Clementine
ZM224/466387-224	Fox
ZM225/466387-225	Kiss
ZM226/466387-226	Bare
ZM227/466387-227	Blonde
ZM228/466387-228	Mimosa
ZM229/466387-229	Comet
ZM230/466387-230	Honeydew
ZM231/466387-231	Wild
ZM232/466387-232	Vine
ZM233/466387-233	Seed
ZM234/466387-234	Kale
ZM235/466387-235	Waterfall
ZM236/466387-236	Nordic
ZM237/466387-237	Reef
ZM238/466387-238	Wave
ZM239/466387-239	Isle
ZM240/466387-240	Creek
ZM241/466387-241	Mariner
ZM242/466387-242	Globe
ZM243/466387-243	Spa

Mini Plaid - Geiger Textile

56" wide	
100% polyester	
PFOA-Free stain resistant finish	
Acrylic backing	
1MP01	Vintage Ivory
1MP02	Light Gray
1MP03	Ore
1MP04	Coffee Bean
1MP05	Shadow
1MP06	Charcoal
1MP07	Black Onyx
1MP08	Gray Blue
1MP09	Deep Federal
1MP10	Celadon
1MP11	Blaze
1MP12	Lipstick

Pinpoint - Geiger Textile

57" wide	
100% antimony-free polyester	
19810	Cream
19811	Camel
19820	Luggage
19830	Red
19831	Wine
19832	Cordovan
19850	Navy
19870	Trench Dark
19880	Charcoal
19881	Grey

Pins and Needles

58" wide	
76% recycled polyester	
24% polyester	
22R01	Day and Night
22R02	Night and Day

Saille - Geiger Textile

57" wide	
69% cotton	
31% polyester	
PFOA-Free stain resistant finish	
Acrylic backing	
18001	Coal
18002	Shale
18003	Haze
18004	Stone
18005	White
18006	Beach
18007	Sand
18008	Blush
18009	Brick
18010	Fog
18011	Celadon
18012	Poolside
18013	Summer Sky

Stitches

54" wide	
54% polyester	
46% recycled polyester	
8U02	Rye
8U03	Khaki
8U04	Honey
8U05	Cattail
8U08	Cool Grey
8U09	Slate Blue
8U11	Evening Blue
8U12	Charcoal
8U13	Kiwi Green
8U16	Cocoa
8U17	Seed

String Plaid

54" wide	
100% recycled polyester	
22V01	Warm White on Khaki
22V02	Mint on Yellow Green
22V03	Mist on Blue Grey
22V04	Sky Blue on Red
22V05	Lime on Magenta
22V06	Bright Green on Green
22V07	Aqua Blue on Cerulean
22V08	Ivory on Black

Tweed Stripe - Geiger Textile

54" wide	
38% polyester	
37% cotton	
18% acrylic	
7% post-industrial recycled cotton	
PFOA-Free stain resistant finish	
16701	Cotton
16702	Cream
16703	Chamois
16704	Golden Gray
16705	Brown Gray
16706	Celadon
16707	Vessel
16708	Gray Blue
16709	Deep Federal
16710	Onyx
16711	Java
16712	Sunset
16713	Citronella

Proprietary Textile Colors — Collection Seating

continued

Price Category 4

Bateau - Geiger Textile

54" wide
56% post-industrial recycled cotton
30% polyester
14% post-industrial recycled polyester
PFOA-Free stain resistant finish

1AK01	Cloud
1AK02	Fawn
1AK03	Breeze
1AK04	Meadow
1AK05	Rafia
1AK06	Dark Sand
1AK07	Steel
1AK08	Milky Way

Bingo

54" wide
100% PVC-free polyurethane

7Y01	Oyster
7Y02	Natural
7Y03	Cashew
7Y05	Rattan
7Y06	Root
7Y07	Woodland
7Y10	Allspice
7Y11	Canyon
7Y17	Seed
7Y18	Mushroom
7Y19	Blue Grey
7Y21	Black
7Y22	Mint
7Y23	Seaport
7Y24	Evening Blue
7Y26	Kiwi Green
7Y27	Celadon
7Y29	Pesto

Braid - Geiger Textile

56" wide
100% polyester

1AG01	Pearl
1AG02	Dark Sand
1AG03	City Night
1AG04	Shadow
1AG05	Midnight Blue

Cygnus™

For Eames® Aluminum Group Chairs
69% elastomeric
31% polyester

5401	Black
5402	Zinc
5403	Quartz

Derby - Geiger Textile

57" wide
50% polyester
34% post-industrial recycled polyester
32% post-consumer recycled polyester
PFOA-Free stain resistant finish
Acrylic backing

1AE01	Antique White
1AE02	Blush
1AE03	Ivory
1AE04	Light Gray
1AE05	Ore
1AE06	Coffee Bean
1AE07	Onyx
1AE08	Cadet Blue
1AE09	Marine
1AE10	Steel Blue
1AE11	Teal
1AE12	Persimmon
1AE13	Cinnabar
1AE14	Dark Scarlet

Fringe - Geiger Textile

54" wide
74% recycled polyester
20% nylon
6% polyester

1AF01	Buckskin
1AF02	Ash Blonde
1AF03	Silver Bay
1AF04	Perfect Taupe
1AF05	Morning Sky
1AF06	Lapis
1AF07	Indigo
1AF08	Paprika
1AF09	Deep Red
1AF10	Dark Sienna
1AF11	French Press
1AF12	Black Bay

Irregular Grid - Geiger Textile

56" wide
85% polyester
14% rayon
1% nylon
PFOA-Free stain resistant
Acrylic backing

1AT01	Fog
1AT02	Stone
1AT03	Trench
1AT04	Gray Blue
1AT05	Flint

Kalista - Geiger Textile

54" wide
71% post-industrial recycled cotton
18% post-industrial recycled polyester
11% polyester
PFOA-Free stain resistant finish

1AL01	Cotton
1AL02	Natural
1AL03	Titanium
1AL04	Pewter
1AL05	Starry Night
1AL06	Red Hot
1AL07	Sun Kissed
1AL08	Dune
1AL09	Beach Glass
1AL10	Bluestone
1AL11	Seaside
1AL12	Night Sky

Micro Houndstooth - Geiger Textile

57" wide
50% polyester
33% post-consumer recycled polyester
17% post-industrial recycled polyester
PFOA-Free stain resistant finish
Acrylic backing

1MH01	Silver Ore
1MH02	Oatmeal
1MH03	Coffee Bean
1MH04	Charcoal
1MH05	Dark Night
1MH06	Onyx
1MH07	Gray Blue
1MH08	Federal
1MH09	Gray Green
1MH10	Blaze
1MH11	Gothic Red

Modo - Geiger Textile

54" wide
100% polyurethane
100% polyester knit backing
Antimicrobial stain resistant finish

17301	White
17302	Cream
17303	Dune
17304	Warm Sand
17305	Caramel
17306	Latte
17307	Saddle
17308	Paprika
17309	Scarlet
17310	Deep Red
17311	Navy
17312	Racing Green
17313	Aquamarine
17314	Smoke
17315	Charcoal
17316	Black
17317	Espresso

Price category 4 continued on next page

Proprietary Textile Colors — Collection Seating

continued

Price Category 4

continued

Ottoman - Geiger Textile	
54" wide	
100% recycled polyester	
GreenShield	
19710	Cream
19711	Camel
19712	Vicuna
19713	Stone
19719	Aqua
19720	Citron
19721	Luggage
19728	Ruby
19729	Currant
19730	Red
19731	Blaze
19732	Persimmon
19748	Titanium
19749	Pewter
19750	Oxford
19751	Cadet Dark
19752	Blue
19760	Willow
19761	Napa
19767	Sterling
19768	Flint
19769	Slate
19770	Trench
19771	Java
19777	Deep Sea
19778	Navy
19779	Metal
19780	Black

Piccolo - Geiger Textile	
54" wide	
39% wool	
36% nylon	
13% rayon	
12% post-consumer recycled polyester	
PFOA-Free stain resistant	
Acrylic backing	
1AU01	Grey Blue
1AU02	City Night
1AU03	Trench
1AU04	Sangria
1AU05	Cerise
1AU06	Navy
1AU07	Lake
1AU08	Wine
1AU09	Charcoal
1AU10	Midnight Blue

Spools	
54" wide	
51% recycled polyester	
49% polyester	
Crypton® Green	
8Y03	Trail
8Y05	Copper
8Y08	Bluegrass
8Y09	Lagoon
8Y11	Beachglass
8Y12	Marsh
8Y13	Bud

Strata	
54" wide	
50% solution dyed recycled nylon	
50% solution dyed nylon	
22P04	Pesto
22P05	Peacock
22P06	Blue Jay
22P07	Blueberry
22P09	Mango
22P10	Paprika
22P11	Mulberry
22P12	Wheat
22P13	Brownstone
22P14	Bayou

Price Category 5

Bouclé - Geiger Textile	
54" wide	
100% recycled polyester	
GreenShield	
1GA10	Creme
1GA11	Dune
1GA12	Camel
1GA20	Luggage
1GA21	Copper
1GA30	Wine
1GA31	Red Dark
1GA50	Navy
1GA60	Willow
1GA61	Fir
1GA70	Umber
1GA71	Java
1GA80	Stone
1GA81	Graphite
1GA82	Black

Button-Up - Geiger Textile	
54" wide	
58% post-consumer recycled cotton	
18% rayon	
15% polyester	
9% acrylic	
PFOA-Free stain resistant	
Acrylic backing	
1AQ01	Monochrome
1AQ02	Pale Blue
1AQ03	Brick
1AQ04	Prairie
1AQ05	Tourmaline
1AQ06	Shadow
1AQ07	Cool Navy
1AQ08	Poolside
1AQ09	Lake

Dapper - Geiger Textile	
54" wide	
55% recycled polyester	
28% nylon	
17% rayon	
1AD01	Brick
1AD02	Pale Slate Blue
1AD03	Vessel
1AD04	Coffee
1AD05	Mountainside
1AD06	Cerise
1AD07	Dark Night

Essential Twill - Geiger Textile	
53" wide	
70% post-consumer recycled polyester	
27% wool	
3% nylon	
PFOA-Free stain resistant finish	
Acrylic backing	
16801	Cream
16802	Fog
16803	Orange
16804	Natier Blue
16805	Blue
16806	Forest
16807	Smoke
16808	Shale

Herringbone - Geiger Textile	
54" wide	
50% nylon	
27% cotton	
23% polyester	
GreenShield	
19310	Copper
19330	Vermillion
19350	Oxford
19351	Cadet
19352	Navy
19360	Willow
19370	Trench Dark
19371	Umber
19380	Stone
19381	Flannel

Price category 5 continued on next page

Proprietary Textile Colors — Collection Seating

continued

Price Category 5

continued

Hopsak	
56" wide	
100% recycled polyester	
14A20	Black
14A22	Raw Umber Dark
14A26	Grey Blue Dark
14A30	Sepia Dark
14A38	Emerald Dark
14A39	Yellow Dark
14A40	Orange
14A41	Sienna
14A42	Olive Green Dark
14A43	Crimson
14A44	Crimson Dark Dark
14A45	Violet Dark
14A46	Pink Dark Dark
14A47	Ultramarine Dark
14A48	Cobalt Blue
14A49	Terra Cotta
14A50	Ochre Dark

Iota - Geiger Textile	
55" wide	
72% post-consumer recycled polyester	
28% cotton	
GreenShield	
Acrylic backing	
1AS01	Pearl Gray
1AS02	Light Chestnut Brown
1AS03	Light Blue
1AS04	Light Gray
1AS05	Ferric Gray
1AS06	Deep Cerulean Blue
1AS07	Carrot
1AS08	Natural Native Umber
1AS09	Chestnut Brown
1AS10	Claret
1AS11	Ruby Red
1AS12	Forest
1AS13	Navy
1AS14	Plum
1AS15	Burnt Umber

Iron Cloth - Geiger Textile	
54" wide	
61% nylon	
22% rayon	
17% cotton	
19510	Cream
19511	Stone
19512	Camel
19520	Citron
19530	Red
19531	Cordovan
19550	Sky
19551	Navy
19552	Cadet
19560	Leaf
19570	Trench
19571	Umber
19580	Black

Noble	
54" wide	
100% wool	
22N02	Chipotle
22N04	Cherry
22N07	Cadet
22N08	Berry Blue
22N09	Peacock
22N11	Pesto
22N12	Blue Grey Mix
22H15	Heathered Black
22H16	Heathered Grey
22H17	Heathered Twilight
22H18	Heathered Rye Grass
22N19	Lemongrass Mix
22H20	Heathered Red
22H21	Heathered Wild Berry
22N22	Pesto Mix
22N23	Lagoon Mix

Pixel Stripe - Geiger Textile	
56" wide	
65% cotton	
35% recycled polyester	
1AP01	Pale / Dark Ash
1AP02	Ash / Light Grey
1AP03	Night / Cream
1AP04	Cardinal / Cream
1AP05	Denim / Neutral
1AP06	Federal / Taupe
1AP07	Olive / Neutral

Straightaway - Geiger Textile	
54" wide	
48% polyester	
39% cotton	
13% rayon	
PFOA-Free stain resistant	
Acrylic backing	
1AR01	White
1AR02	Cream
1AR03	Lemon
1AR04	Sunset
1AR05	Brown Gray
1AR06	Java
1AR07	Black Green
1AR08	Jade
1AR09	Cobalt

Striae - Geiger Textile	
53" wide	
62% polyester	
38% nylon	
19910	Neutral
19911	Camel Java
19992	Blue
19990	Charcoal Saddle
19991	Navy
19993	Java Copper
19994	Bright

Threads - Geiger Textile	
54" wide	
73% post-industrial recycled cotton	
27% polyester	
PFOA-Free stain resistant finish	
Acrylic backing	
21801	Cotton
21802	Stonewashed
21803	Silver
21804	Chamois
21805	Cargo Gray
21806	Black Brown
21807	Dark Denim
21808	Sunset

Vavare - Geiger Textile	
54" wide	
50% post-consumer recycled cotton	
28% cotton	
13% polyester	
9% acrylic	
PFOA-Free stain resistant finish	
Acrylic backing	
17401	Pearl Gray
17402	Sandstone
17403	Monochrome
17404	Shadow
17405	Blue Earth
17406	Lakeside
17407	Midsummer
17408	Bittersweet

Proprietary Textile Colors — Collection Seating

continued

Appendix: Proprietary Textile Colors — Collection Seating

Price Category 6

Classic Velvet - Geiger Textile	
55" wide	
100% polyester	
Polyester/cotton backing	
16501	Opal
16502	Ice Blue
16503	Platinum
16504	Smoky Taupe
16505	Blaze
16506	Majestic Red
16507	Peridot
16508	Obsidian
16509	Truffle
16510	Sapphire

Gridwork - Geiger Textile	
54" wide	
100% post-consumer recycled polyester	
PFOA-Free stain resistant	
Acrylic backing	
1AM01	Mustard
1AM02	Persimmon
1AM03	Willow
1AM04	Red
1AM05	Camel
1AM06	Natier Blue

Outdoor Weave	
For Eames® Aluminum Group	
Outdoor Chairs	
50% elastomeric	
50% polypropylene	
7202	Jute
7203	Lead
7204	Java
7205	Graphite

Pick-Stitch Plaid - Geiger Textile	
54" wide	
38% post-industrial recycled nylon	
32% rayon	
30% cotton	
PFOA-Free stain resistant finish	
Acrylic backing	
17001	Cotton
17002	Camel
17003	Red
17004	Blue
17005	Forest
17006	Bark
17007	Gray

Sommar - Geiger Textile	
55" wide	
62% cotton	
24% polyester	
14% acrylic	
PFOA-Free stain resistant finish	
1AJ01	Cloud
1AJ02	Natural
1AJ03	Light Silver
1AJ04	Oxford
1AJ05	Sweet Tea
1AJ06	Amber
1AJ07	Mocha Caramel
1AJ08	Dark Roast

Tattersall Reverse - Geiger Textile	
54" wide	
35% cotton	
29% polyester	
27% nylon	
9% recycled polyester	
GreenShield	
20010	Saddle
20020	Willow
20030	Red
20050	Navy
20070	Trench
20071	Latte Umber
20080	Flannel Umber

Price Category 7

Customer's Own Leather	
See Order Information in	
Appendices. Assigned lead-time	
textile. A	

Bellano - Geiger Textile	
55" wide	
75% wool	
10% linen	
8% nylon	
7% alpaca	
1AX01	Pearl
1AX02	Fog
1AX03	Fawn
1AX04	Pumice
1AX05	Pewter
1AX06	Atlantic
1AX07	Black Green
1AX08	Adriatic
1AX09	Coffee
1AX10	Charcoal
1AX11	Umber
1AX12	Magenta
1AX13	Bittersweet
1AX14	Sunflower

Capri - Geiger Textile	
55" wide	
36% cotton	
32% acrylic	
24% rayon	
8% polyester	
PFOA-Free stain resistant finish	
Acrylic backing	
17201	Snow
17202	Stone
17203	Trench
17204	Graphite
17205	Anthracite
17206	Light Silver
17207	Russet
17208	Chestnut Brown
17209	Sand
17210	Sterling
17211	Cobalt
17212	Ink

Corduroy Plaid - Geiger Textile	
55" wide	
100% polyester pile	
100% acrylic	
18910	Cream
18970	Umber
18980	Charcoal

Double Beam Redux - Geiger Textile	
52" wide	
52% rayon	
45% post-consumer recycled polyester	
3% nylon	
PFOA-Free stain resistant finish	
Acrylic backing	
22001	Oyster
22002	Mortar
22003	Pale Goldenrod
22004	Pewter
22005	Light Steel Blue
22006	Dark Denim
22007	Cocoa

Epinglé - Geiger Textile	
56" wide	
57% acrylic, 43% polyester pile	
60% polyester, 40% acrylic	
1GC10	Ivory
1GC11	Dune
1GC12	Camel
1GC30	Red
1GC50	Navy
1GC70	Trench
1GC71	Java
1GC80	Charcoal
1GC81	Fog

Price category 7 continued on next page

Proprietary Textile Colors — Collection Seating

continued

Price Category 7

continued

Milaner - Geiger Textile	
55" wide	
56% wool, 10% acrylic	
10% alpaca, 10% cotton	
8% nylon, 6% rayon	
17101	Linen
17102	Flax
17103	Bark
17104	Deep Navy
17105	Charcoal
17106	Medium Grey
17107	Ash
17108	Crimson

Panno Di Dolce - Geiger Textile	
55" wide	
65% wool	
20% nylon	
15% alpaca	
1AV01	Fog
1AV02	Dune
1AV03	Trench
1AV04	Flannel
1AV05	Charcoal
1AV06	Umber
1AV07	Deep Navy
1AV08	Graphite

Pantile - Geiger Textile	
54" wide	
54% cotton	
40% polyester	
6% acrylic	
PFOA-Free stain resistant	
Acrylic backing	
1AN01	Stone
1AN02	Trench
1AN03	Red
1AN04	Aqua Blue
1AN05	Sapphire
1AN06	Black

Resca - Geiger Textile	
56" wide	
75% wool	
10% linen	
8% nylon	
7% alpaca	
1AW01	Fog
1AW02	Dune
1AW03	Trench
1AW04	Flannel
1AW05	Umber
1AW06	Bordeaux

Sateen Weave - Geiger Textile	
54" wide	
92% wool, 8% nylon	
16301	Bright Red
16302	Cognac Brown
16303	Chestnut Brown
16304	Pale Native Umber
16305	Light Native Umber
16306	Sahara Sand Deep
16307	Light Blue
16308	Deep Cerulean Blue
16309	Light Veronese Green
16310	Black Green
16311	Deep Native Umber
16312	Chestnut Brown
16313	Natural Native Umber
16314	Navy

True Herringbone - Geiger Textile	
54" wide	
49% rayon	
48% post-consumer recycled polyester	
3% nylon	
PFOA-Free stain resistant finish	
Acrylic backing	
22401	Olivine
22402	Camel
22403	Earthen
22404	Caribbean Sea
22405	Vermillion
22406	Denim
22407	Bordeaux
22408	Prussian Blue
22409	Dark Sienna

Twill Plaid - Geiger Textile	
53" wide	
70% post-consumer recycled polyester	
27% wool	
3% nylon	
PFOA-Free stain resistant finish	
Acrylic backing	
16901	Cream
16902	Fog
16903	Orange
16904	Natier Blue
16905	Blue
16906	Forest
16907	Smoke
16908	Shale

Velvet Plaid - Geiger Textile	
55" wide	
94% polyester, 6% acrylic pile	
100% acrylic	
20110	Cream
20170	Umber
20180	Charcoal

Vesture - Geiger Textile	
55" wide	
40% wool, 25% polyester	
20% silk, 15% nylon	
PFOA-Free stain resistant finish	
21701	Ashen
21702	Dark Blush
21703	Dusk
21704	Medium Gray
21705	Twilight

Wool Epinglé - Geiger Textile	
54" wide	
100% wool	
16201	Swiss Red
16202	Orange
16203	Light Chestnut Brown
16204	Light Burnt Umber
16205	Pale Native Umber
16206	Pearl Grey
16207	Grey
16208	Natier Blue
16209	Deep Cerulean Blue
16210	Anthracite
16211	Natural Native Umber
16212	Chestnut Brown

Wool Satin - Geiger Textile	
56" wide	
40% polyester, 33% wool	
27% cotton	
20270	Trench
20271	Umber
20280	Flannel
20281	Charcoal

Wool Tweed - Geiger Textile	
54" wide	
80% wool, 20% nylon	
16601	Trench
16602	Pewter
16603	Ruby
16604	Blue Gray
16605	Navy
16606	Umber
16607	Charcoal

Proprietary Textile Colors — Collection Seating

continued

Appendix: Proprietary Textile Colors — Collection Seating

Price Category 8

Basketweave - Geiger Textile

53" wide
60% cotton
40% wool

18710	Dune
18711	Saddle
18712	Camel Flannel
18770	Umber
18780	Stone
18781	Charcoal

Staple - Geiger Textile

54" wide
100% wool

16101	Light Native Umber
16102	Medium Native Umber
16103	Pearl Grey
16104	Light Grey
16105	Ferric Grey
16106	Black Green
16107	Prussian Blue
16108	Navy
16109	Burnt Umber
16110	Chestnut Brown
16111	Ruby Red

Striscia - Geiger Textile

53" wide
73% wool
24% rayon
3% nylon
PFOA-Free stain resistant
Acrylic backing

1AY01	Mojave
1AY02	Cheyenne
1AY03	Santa Fe
1AY04	Zion
1AY05	Portland
1AY06	Everglade
1AY07	Sierra
1AY08	Huron

Price Category 9

Alpaca Mohair - Geiger Textile

54" wide
63% alpaca
21% cotton, 16% polyester

18510	Dune
18511	Trench
18512	Vicuna
18570	Sepia
18571	Umber
18580	Fog
18581	Flannel
18582	Charcoal

Corded Stripe - Geiger Textile

54" wide
100% cotton

22301	Federal Taupe
22302	Cool Navy
22303	Swiss Red
22304	Deep Sea
22305	Blue Brown
22306	Red Madder

Leather

approx. 50 sq. ft. per hide
100% leather

2101	Ivory
2109	Black
2110	Smoke
2111	Graphite
2112	Khaki
2113	Rattan
2114	Truffle
2115	Alpine
2116	Haze
2117	Sable Grey
2118	Dark Mineral
2119	Dark Carbon
2120	Cranberry
2121	Deep Sea

Price Category 10

Bristol Leather - Geiger Textile

approx. 55 sq. ft. per hide
100% leather

5-507	Black
5-511	Putty
5-512	Grebe
5-514	Iona
5-519	Hunter
5-520	White
5-521	Ivory
5-522	Parchment
5-524	Espresso
5-534	Pearl
5-537	Caribbean
5-546	Pumice
5-547	Smoke
5-548	Charcoal
5-549	Dark Shale
5-556	Downtown Grey
5-557	City Night
5-558	Neutral
5-559	Ash Grey
5-563	Champagne
5-564	Chestnut Brown
5-565	Dark Sienna
5-566	Earthen
5-567	Desert
5-568	British Green
5-569	Wrought Iron
5-579	Paris Blue
5-583	Atlantic
5-589	Umber
5-591	Bone
5-592	Camel
5-594	Taupe
5-597	Pure *
5-598	Cream
5-599	Poppy
5-600	Midnight Blue
5-601	Deep Aubergine
5-602	Merlot
5-603	Sangria
5-604	Swiss Red
5-605	Nordic Yellow
5-606	Sky Grey

Moleskin Emboss - Geiger Textile

53" wide
100% nylon

19610	Ivory
19611	Cream
19612	Latte
19613	Camel
19614	Saddle
19630	Red
19650	Oxford
19651	Navy
19670	Trench
19671	Java
19680	Flannel
19681	Charcoal

* Color not available on Saiba Chair.

Proprietary Textile Colors — Collection Seating

continued

Price Category 11

MCL Leather

approx. 55 sq. ft. per hide

100% leather

1R01	Pearl
1R02	Ivory
1R05	Red
1R07	Espresso
1R08	Stone
1R10	Black
1R11	Clay
1R12	Grey
1R13	Gunmetal
1R14	Charcoal
1R15	Cobblestone
1R16	Mulberry

Tenera Leather - Geiger Textile

approx. 55 sq. ft. per hide

100% leather

17501	Cement
17502	Marzipan
17503	Sunglow
17504	Raw Sienna
17505	Maple
17506	Poppy
17507	Salsa
17508	Cranberry
17509	Burnt Sienna
17510	Dark Chocolate
17511	Black
17512	Carbon
17513	Sapphire



Maharam® Application Chart — Collection Seating

- Available

Maharam textiles are on assigned lead times. [A]

[N] Non-woven textile.

	Chadwick Modular Seating	Bevel Sofa/Bolster Sofa	Eames® Aluminum Group Chairs/Ottomans	Eames Soft Pad Group Chairs/Ottomans	Eames Executive Chairs	Eames Lounge Chairs/Ottomans	Eames Molded Fiberglass/Plastic/Wood Chairs Upholstered Seat Pad	Eames Molded Fiberglass/Plastic Chairs Upholstered	Eames Molded Plywood Chair Upholstered	Eames Wire Chair Upholstered Seat Pad	Eames Sofa, 2 and 3 Seat	Eames Sofa Compact	Goetz™ Sofa	Module Lounge Seating	Nelson™ Daybed Cushion/Bolsters	Nelson Pedestal Stool	Nelson Platform Bench Cushion	Wireframe™ Sofa Group	Brabo Lounge Seating	Bumper Seating	Crosshatch Chair/Ottoman	Envelope™ Chair	Full Twist™ Chair/Landmark™ Chair	Nessel Chair	Rolled Arm Sofa Group	Scissor™ Chair	Sled™ Chair	Striad Lounge Chair/Ottoman	Tuxedo Component Lounge/Tuxedo Classic Seating Quilted	Tuxedo Component Lounge/Tuxedo Classic Seating Non-quilted
Price Category 1-2																														
No fabrics available at this time.																														
Price Category 3																														
ZM2__ Meld - Maharam		•										•	•				•	•	•	•	•	•	•	•	•	•	•	•	•	•
Price Category 4-9																														
No fabrics available at this time.																														
Price Category 10																														
Z22__ Superweave		•						•				•	•	•	•			•	•	•	•	•		•	•				•	•
Price Category 11-13																														
No fabrics available at this time.																														
Price Category 14																														
Z13__ Lanalux		•						•				•	•	•	•			•	•	•	•	•		•	•				•	•
Price Category A																														
No fabrics available at this time.																														
Price Category B																														
VM__ Medium				•	•							•	•																	
TI__ Messenger *			•	•	•		1					•	•					•										•		
Price Category C																														
ZLR__ Lariat [N]			•																•	•	•	•	•	•	•	•	•	•	•	•
Z27__ Manner	•		1	•	1			1		•	1	•					•	•	•	•	•	•	•	•	•	•	•	•	•	•
Z3__ Metric								•		•	•					•		•	•	•	•	•	•	•	•	•	•	•	•	•
ZML__ Milestone			1	•	1			1		•	1	•				•	•	•	•	•	•	•	•	•	•	•	•	•	•	•
Price Category D																														
ZAT__ Article [N]			•	•	•			•		•	•	•					•	•	•	•	•	•	•	•	•	•	•	•	•	•
ZMD__ Mode			•	•	•			•		•	•						•	•	•	•	•	•	•	•	•	•	•	•	•	•
Price Category E																														
ZFS__ Focus				•	1			1		•	1	•					•	•	•	•	•	•	•		•	•			•	•
V9G__ Ledger [N]			•	•	•			•		•	•	•					•	•	•	•	•	•	•	•	•	•	•	•	•	•
ZMB__ Micro					•			•		•	•						•	•	•	•	•	•	•	•	•	•	•	•	•	•
Z32__ Skein								•		•	•	•					•	•	•	•	•	•	•	•	•	•	•	•	•	•
Price Category F																														
ZAS__ Abacus Standard								1		•	1	•					•	•	•	•	•	•	•	•	•	•	•	•	•	•
ZAY__ Alloy [N]			1		1			1		•	1	•					•	•	•	•	•	•	•	•	•	•	•	•	•	•
ZAL__ Alter										•	•	•					•	•	•	•	•	•	•	•	•	•	•	•	•	•
ZBT__ Bitmap [N]			1	•	1			1			1	•					•	•	•	•	•	•	•	•	•	•	•	•	•	•
V9M__ Chime [N]										•	•	•					•	•	•	•	•	•	•	•	•	•	•	•	•	•

continued on next page

* Available in select colors on 20-day lead-time. Refer to “Maharam Textile Colors-Collection Seating” for 20-day colors.

Maharam® Application Chart — Collection Seating

continued

	Chadwick Modular Seating	Bevel Sofa/ Bolster Sofa	Eames® Aluminum Group Chairs/Ottomans	Eames Soft Pad Group Chairs/Ottomans	Eames Executive Chairs	Eames Lounge Chairs/Ottomans	Eames Molded Fiberglass/Plastic/Wood Chairs Upholstered Seat Pad	Eames Molded Fiberglass/Plastic Chairs Upholstered	Eames Molded Plywood Chair Upholstered	Eames Wire Chair Upholstered Seat Pad	Eames Sofa, 2 and 3 Seat	Eames Sofa Compact	Goetz™ Sofa	Module Lounge Seating	Nelson™ Daybed Cushion/Bolsters	Nelson Pedestal Stool	Nelson Platform Bench Cushion	Wireframe™ Sofa Group	Brabo Lounge Seating	Bumper Seating	Crosshatch Chair/Ottoman	Envelope™ Chair	Full Twist™ Chair/Landmark™ Chair	Nessel Chair	Rolled Arm Sofa Group	Scissor™ Chair	Sled™ Chair	Striad Lounge Chair/Ottoman	Tuxedo Component Lounge/Tuxedo Classic Seating Quilted	Tuxedo Component Lounge/Tuxedo Classic Seating Non-quilted	
Price Category G continued																															
ZSE__ Steelcut				1				1		•	1	•					•	•	•	•	•	•	•	•	•	•	•	•	•	•	•
V25__ Steelcut Trio	1						1		1			•	•	•	•	•		•	•	•	•	•	•	•	•	•	•	•	•	•	
ZSD__ Sudden [N]				•				•		•	•	•					•	•	•	•	•	•	•	•	•	•	•	•	•	•	
ZTT__ Tilt				•						•	•						•	•	•	•		5			•					•	
ZTC__ Tonica				•	•			•		•	•	•					•	•	•	•	•	•	•	•	•	•	•	•	•	•	
ZUR__ Urban										•	•	•					•	•	•	•	•	•	•	•	•	•	•	•	•	•	
ZVT__ Vestige										•	•						•	•	•	•		•			•					•	
Price Category H																															
ZAC__ Abacus				1				1		•	1						•	•	•	•	•	•	•	•	•	•	•	•	•	•	•
ZAN__ Anagram										•	•	•					•	•	•	•	•	•	•	•	•	•	•	•	•	•	•
ZBM__ Beam								•		•	•	•					•	•	•	•	•	•	•	•	•	•	•	•	•	•	•
ZBG__ Blip								•		•	•	•					•	•	•	•	•	•	•	•	•	•	•	•	•	•	•
ZCC__ Chenille Cord								•		•	•	•					•	•	•	•	•	•	•	•	•	•	•	•	•	•	•
ZT__ Circles					•					•	•							•													
ZS__ Crosspatch					•					•	•						•														
Z2D__ Ditto			•							•	•	•					•	•	•	•	•	•	•	•	•	•	•	•	•	•	•
TF__ Divina	•		•	•				•		•	•					•	•											•	3	3	
Z23__ Divina MD	•		•	•				•		•	•					•	•	•	•	•	•	•	•	•	•	•	•	•	•	•	•
ZK__ Dot Pattern				•				•		•	•					•	•											3	3		
ZFN__ Fasten										•	•	•					•	•	•	•	•	•	•	•	•	•	•	•	•	•	•
Z24__ Hallingdal	•	1					•	•	•	•								•	•	•	•	•	•	•	•	•	•	•	•	•	•
ZKX__ Helix										•	•						•	•	•	•											•
ZMC__ Mechanism								•		•	•	•					•	•	•	•	•	•	•	•	•	•	•	•	•	•	•
ZMG__ Mister								•		•	•	•					•	•	•	•	•	•	•	•	•	•	•	•	•	•	•
ZQT__ Octave										•	•	•					•	•	•	•	•	•	•	•	•	•	•	•	•	•	•
ZQF__ Offset										•	•	•					•	•	•	•	•	•	•	•	•	•	•	•	•	•	•
ZQB__ Outback										•	•	•					•	•	•	•	•	•	•	•	•	•	•	•	•	•	•
ZRT__ Regatta				•				•		•	•	•					•	•	•	•	•	•	•	•	•	•	•	•	•	•	•
ZRU__ Rule								•		•	•	•					•	•	•	•	•	•	•	•	•	•	•	•	•	•	•
ZSL__ Salon				•	•			•		•	•	•					•	•	•	•	•	•	•	•	•	•	•	•	•	•	•
ZL__ Small Dot Pattern				•				•		•	•					•	•											3	3		
ZST__ Star										•	1	•					•	•	•	•	•	•	•	•	•	•	•	•	•	•	•
ZTN__ Tonus				•	•			•		•	•	•					•	•	•	•	•	•	•	•	•	•	•	•	•	•	•

continued on next page

Maharam® Application Chart — Collection Seating

continued

	Chadwick Modular Seating	Bevel Sofa/Bolster Sofa	Eames® Aluminum Group Chairs/Ottomans	Eames Soft Pad Group Chairs/Ottomans	Eames Executive Chairs	Eames Lounge Chairs/Ottomans	Eames Molded Fiberglass/Plastic/Wood Chairs Upholstered Seat Pad	Eames Molded Fiberglass/Plastic Chairs Upholstered	Eames Molded Plywood Chair Upholstered	Eames Wire Chair Upholstered Seat Pad	Eames Sofa, 2 and 3 Seat	Eames Sofa Compact	Goetz™ Sofa	Module Lounge Seating	Nelson™ Daybed Cushion/Bolsters	Nelson Pedestal Stool	Nelson Platform Bench Cushion	Wireframe™ Sofa Group	Brabo Lounge Seating	Bumper Seating	Crosshatch Chair/Ottoman	Envelope™ Chair	Full Twist™ Chair/Landmark™ Chair	Nessel Chair	Rolled Arm Sofa Group	Scissor™ Chair	Sled™ Chair	Striad Lounge Chair/Ottoman	Tuxedo Component Lounge/Tuxedo Classic Seating Quilted	Tuxedo Component Lounge/Tuxedo Classic Seating Non-quilted	
Price Category L																															
ZAH__Alpaca Herringbone			• 1				1		• 1 •								• • • • •	• • • • •	• • • • •	• • • • •	• • • • •	• • • • •	• • • • •	• • • • •	• • • • •	• • • • •	• • • • •	• • • • •	• • • • •		
ZBN__Blumen								•		• • • • •							• • • • •	• • • • •	• • • • •	• • • • •	• • • • •	• • • • •	• • • • •	• • • • •	• • • • •	• • • • •	• • • • •	• • • • •	• • • • •		
ZEP__Exaggerated Plaid										• • • • •							• • • • •	• • • • •	• • • • •	• • • • •	• • • • •	• • • • •	• • • • •	• • • • •	• • • • •	• • • • •	• • • • •	• • • • •	• • • • •		
ZGM__Geometri										• • • • •							• • • • •	• • • • •	• • • • •	• • • • •	• • • • •	• • • • •	• • • • •	• • • • •	• • • • •	• • • • •	• • • • •	• • • • •	• • • • •		
V16__Jacobs Coat							•			• • • • •					•	•	• • • • •	• • • • •	• • • • •	• • • • •	• • • • •	• • • • •	• • • • •	• • • • •	• • • • •	• • • • •	• • • • •	• • • • •	• • • • •		
ZLT__Letters							•			• • • • •							• • • • •	• • • • •	• • • • •	• • • • •	• • • • •	• • • • •	• • • • •	• • • • •	• • • • •	• • • • •	• • • • •	• • • • •	• • • • •		
V17__Millerstripe							•			• • • • •					•		• • • • •	• • • • •	• • • • •	• • • • •	• • • • •	• • • • •	• • • • •	• • • • •	• • • • •	• • • • •	• • • • •	• • • • •	• • • • •		
ZMS__Mohair Supreme						1									•		• • • • •	• • • • •	• • • • •	• • • • •	• • • • •	• • • • •	• • • • •	• • • • •	• • • • •	• • • • •	• • • • •	• • • • •	• • • • •		
ZMW__Monk's Wool																	•														
V11__Palio												• •					•														
ZPW__Pebble Wool							•			• • • • •							• •														
ZPM__Pebble Wool Multi							•			• • • • •							• •														
V21__Quatrefoil										• • • • •							• • • • •	• • • • •	• • • • •	• • • • •	• • • • •	• • • • •	• • • • •	• • • • •	• • • • •	• • • • •	• • • • •	• • • • •	• • • • •		
ZRS__Repeat Classic Stripe										• • • • •							• • • • •	• • • • •	• • • • •	• • • • •	• • • • •	• • • • •	• • • • •	• • • • •	• • • • •	• • • • •	• • • • •	• • • • •	• • • • •		
ZRR__Repeat Dot Ring							•			• • • • •							• • • • •	• • • • •	• • • • •	• • • • •	• • • • •	• • • • •	• • • • •	• • • • •	• • • • •	• • • • •	• • • • •	• • • • •	• • • • •		
ZSP__Stripes							•			• • • • •							• • • • •	• • • • •	• • • • •	• • • • •	• • • • •	• • • • •	• • • • •	• • • • •	• • • • •	• • • • •	• • • • •	• • • • •	• • • • •		
ZTS__The Story of My Life			• •							• • • • •							• • • • •	• • • • •	• • • • •	• • • • •	• • • • •	• • • • •	• • • • •	• • • • •	• • • • •	• • • • •	• • • • •	• • • • •	• • • • •		
V22__Toostripe							•			• • • • •					•		• • • • •	• • • • •	• • • • •	• • • • •	• • • • •	• • • • •	• • • • •	• • • • •	• • • • •	• • • • •	• • • • •	• • • • •	• • • • •		
Price Category M																															
V18__Names												• •					• •				• •	• •	• •	• •	• •	• •	• •	• •	• •		
ZQN__Ottoman Stripe							•			• • • • •							• • • • •	• • • • •	• • • • •	• • • • •	• • • • •	• • • • •	• • • • •	• • • • •	• • • • •	• • • • •	• • • • •	• • • • •	• • • • •		
T11__Pressed Plaid							•			• • • • •							• •				• •	• •	• •	• •	• •	• •	• •	• •	• •		
T12__Wool Striae							•			• • • • •							• •				• •	• •	• •	• •	• •	• •	• •	• •	• •		
Price Category N																															
ZAE__Alpaca Epinglé			• •				•			• • • • •							• • • • •	• • • • •	• • • • •	• • • • •	• • • • •	• • • • •	• • • • •	• • • • •	• • • • •	• • • • •	• • • • •	• • • • •	• • • • •		
ZAV__Alpaca Velvet																	• • • • •	• • • • •	• • • • •	• • • • •	• • • • •	• • • • •	• • • • •	• • • • •	• • • • •	• • • • •	• • • • •	• • • • •	• • • • •		
ZBP__Bespoke Stripe										• • • • •							• • • • •	• • • • •	• • • • •	• • • • •	• • • • •	• • • • •	• • • • •	• • • • •	• • • • •	• • • • •	• • • • •	• • • • •	• • • • •		
ZKP__Herringbone Stripe							•			• • • • •							• • • • •	• • • • •	• • • • •	• • • • •	• • • • •	• • • • •	• • • • •	• • • • •	• • • • •	• • • • •	• • • • •	• • • • •	• • • • •		
ZPT__Point							•			• • • • •							• • • • •	• • • • •	• • • • •	• • • • •	• • • • •	• • • • •	• • • • •	• • • • •	• • • • •	• • • • •	• • • • •	• • • • •	• • • • •		
ZWV__Wool Velvet												•			•		• • • • •	• • • • •	• • • • •	• • • • •	• • • • •	• • • • •	• • • • •	• • • • •	• • • • •	• • • • •	• • • • •	• • • • •	• • • • •		
Price Category O																															
ZBS__Bavaria Stripe										• • • • •							• • • • •	• • • • •	• • • • •	• • • • •	• • • • •	• • • • •	• • • • •	• • • • •	• • • • •	• • • • •	• • • • •	• • • • •	• • • • •		
Price Category P																															
ZBR__Big Stripe																	• • • • •	• • • • •	• • • • •	• • • • •	• • • • •	• • • • •	• • • • •	• • • • •	• • • • •	• • • • •	• • • • •	• • • • •	• • • • •		
ZBJ__Brushed Merino																	• • • • •	• • • • •	• • • • •	• • • • •	• • • • •	• • • • •	• • • • •	• • • • •	• • • • •	• • • • •	• • • • •	• • • • •	• • • • •		
ZES__Epinglé Stripe																	• • • • •	• • • • •	• • • • •	• • • • •	• • • • •	• • • • •	• • • • •	• • • • •	• • • • •	• • • • •	• • • • •	• • • • •	• • • • •		
ZLY__Layers Garden							•			• • • • •							• • • • •	• • • • •	• • • • •	• • • • •	• • • • •	• • • • •	• • • • •	• • • • •	• • • • •	• • • • •	• • • • •	• • • • •	• • • • •		
ZLP__Layers Park							•			• • • • •							• • • • •	• • • • •	• • • • •	• • • • •	• • • • •	• • • • •	• • • • •	• • • • •	• • • • •	• • • • •	• • • • •	• • • • •	• • • • •		
ZLV__Layers Vineyard Large							•			• • • • •							• • • • •	• • • • •	• • • • •	• • • • •	• • • • •	• • • • •	• • • • •	• • • • •	• • • • •	• • • • •	• • • • •	• • • • •	• • • • •		
ZLS__Layers Vineyard Small			• •				•			• • • • •							• • • • •	• • • • •	• • • • •	• • • • •	• • • • •	• • • • •	• • • • •	• • • • •	• • • • •	• • • • •	• • • • •	• • • • •	• • • • •		

continued on next page

Maharam Textile Colors — Collection Seating

Price Category 1-2

No fabrics available at this time.

Price Category 3

Meld – Maharam

54" wide
 68% post-consumer recycled polyester
 32% polyester
 PFOA-Free stain resistant

ZM201/466387-201 Vast
 ZM202/466387-202 Panda
 ZM203/466387-203 Skyline
 ZM204/466387-204 Knight
 ZM205/466387-205 Quill
 ZM206/466387-206 Pipe
 ZM207/466387-207 Grate
 ZM208/466387-208 Gloss
 ZM209/466387-209 Bulb
 ZM210/466387-210 Bride
 ZM211/466387-211 Stark
 ZM212/466387-212 Seashell
 ZM213/466387-213 Antler
 ZM214/466387-214 Crater
 ZM215/466387-215 Perennial
 ZM216/466387-216 Mulberry
 ZM217/466387-217 Fuchsia
 ZM218/466387-218 Amethyst
 ZM219/466387-219 Merlot
 ZM220/466387-220 Magma
 ZM221/466387-221 Rooster
 ZM222/466387-222 Heat
 ZM223/466387-223 Clementine
 ZM224/466387-224 Fox
 ZM225/466387-225 Kiss
 ZM226/466387-226 Bare
 ZM227/466387-227 Blonde
 ZM228/466387-228 Mimosa
 ZM229/466387-229 Comet
 ZM230/466387-230 Honeydew
 ZM231/466387-231 Wild
 ZM232/466387-232 Vine
 ZM233/466387-233 Seed
 ZM234/466387-234 Kale

Meld continued

ZM235/466387-235 Waterfall
 ZM236/466387-236 Nordic
 ZM237/466387-237 Reef
 ZM238/466387-238 Wave
 ZM239/466387-239 Isle
 ZM240/466387-240 Creek
 ZM241/466387-241 Mariner
 ZM242/466387-242 Globe
 ZM243/466387-243 Spa

Price Category 4-9

No fabrics available at this time.

- Maharam textiles are on assigned lead times [A](#).
- Fabric numbers are listed as Herman Miller fabric number/Maharam fabric number.

Maharam Textile Colors — Collection Seating

continued

Price Category 10	Price Category 11-13	Price Category 14	Price Category A
<p>Superweave - Maharam</p> <p>54" wide 75% polyester 25% cotton</p> <p>Z2203/466241-005 Sienna Z2204/466241-002 Ochre Z2207/466241-004 Marine Z2208/466241-003 Olive Z2220/466241-001 Orange and Pink</p>	<p>No fabrics available at this time.</p>	<p>Lanalux - Maharam</p> <p>54" wide 100% wool</p> <p>Z1375/466240-005 Black/White Z1378/466240-006 Olive/Black Z1380/466240-001 Natural Z1383/466240-002 Umber Z1384/466240-007 Natural/Black Z1386/466240-003 Orange Z1387/466240-004 Crimson</p>	<p>No fabrics available at this time.</p>

- Maharam textiles are on assigned lead times [A](#).
- Fabric numbers are listed as Herman Miller fabric number/Maharam fabric number.

Maharam Textile Colors — Collection Seating

continued

Price Category B

Medium – Maharam

54" wide
100% polyester
VM01/463490-001 Raven
VM02/463490-002 Smoke
VM03/463490-003 Alloy
VM04/463490-004 Flax
VM06/463490-006 Bark
VM07/463490-007 Espresso
VM08/463490-008 Pecan
VM12/463490-012 Pumpkin
VM13/463490-013 Persimmon
VM14/463490-014 Laser
VM16/463490-016 Port
VM22/463490-022 Marina
VM29/463490-029 Pistachio
VM32/463490-032 Prospect
VM36/463490-036 Delight
VM39/463490-039 Nautical
VM40/463490-040 Pool
VM44/463490-044 Washed
VM45/463490-045 Sculpture
VM46/463490-046 Thatched
VM47/463490-047 Hike
VM48/463490-048 Tangle
VM49/463490-049 Pacific
VM50/463490-050 Cosmic
VM51/463490-051 Cascade
VM52/463490-052 Blackberry
VM53/463490-053 Nasturtium
VM54/463490-054 Wooded

Messenger – Maharam

54" wide
78% post-industrial recycled polyester
15% polyester, 7% nylon
TI01/458640-001 Balsa
TI06/458640-006 Tobacco
TI07/458640-007 Shadow *
TI08/458640-008 Bayou *
TI10/458640-010 Zinc
TI24/458640-024 Poppy
TI25/458640-025 Mao
TI29/458640-029 Onyx
TI31/458640-031 Cloud *
TI38/458640-038 Depth *
TI40/458640-040 Nile
TI41/458640-041 Azure *
TI45/458640-045 Cactus *
TI46/458640-046 Ice * **
TI48/458640-048 Neon *
TI50/458640-050 Hydrangea *
TI51/458640-051 Lilac
TI52/458640-052 Chestnut
TI53/458640-053 Tangelo
TI54/458640-054 Lumine *
TI58/458640-058 Snow **
TI59/458640-059 Fennel
TI60/458640-060 Peridot *
TI61/458640-061 Capri
TI62/458640-062 Ultramarine
TI63/458640-063 Squall
TI66/458640-066 Cassis
TI67/458640-067 Aster
TI68/458640-068 Spice
TI69/458640-069 Cherry
TI70/458640-070 Vibrant
TI71/458640-071 Satsuma *
TI72/458640-072 Maize

Messenger continued

TI76/458640-076 Fossil
TI77/458640-077 Ash
TI78/458640-078 Tusk
TI79/458640-079 Oyster **
TI80/458640-080 Pensive
TI81/458640-081 Husk
TI82/458640-082 Fireside
TI83/458640-083 Chili
TI84/458640-084 Robust
TI85/458640-085 Beyond
TI86/458640-086 Voyage
TI87/458640-087 Everglade
TI88/458640-088 Electric

* Colors available on 20-day lead time.

** Colors not available on Eames Molded Fiberglass and Molded Plastic Side Chairs.

Price Category C

Lariat – Maharam

54" wide
100% vinyl
ZLR01/440401-001 001
ZLR02/440401-002 002
ZLR03/440401-003 003
ZLR04/440401-004 004
ZLR06/440401-006 006
ZLR07/440401-007 007
ZLR08/440401-008 008
ZLR10/440401-010 010
ZLR11/440401-011 011
ZLR12/440401-012 012
ZLR13/440401-013 013
ZLR14/440401-014 014
ZLR15/440401-015 015
ZLR16/440401-016 016
ZLR18/440401-018 018
ZLR20/440401-020 020
ZLR21/440401-021 021
ZLR23/440401-023 023
ZLR24/440401-024 024
ZLR25/440401-025 025
ZLR26/440401-026 026
ZLR27/440401-027 027
ZLR28/440401-028 028
ZLR29/440401-029 029
ZLR30/440401-030 030
ZLR31/440401-031 031
ZLR32/440401-032 032
ZLR33/440401-033 033
ZLR34/440401-034 034
ZLR35/440401-035 035
ZLR36/440401-036 036
ZLR37/440401-037 037
ZLR38/440401-038 038

Price category C continued on next page

- Maharam textiles are on assigned lead times [A](#).
- Fabric numbers are listed as Herman Miller fabric number/Maharam fabric number.

Maharam Textile Colors – Collection Seating

continued

Price Category C

continued

Manner - Maharam	
54" wide	
65% post-industrial recycled polyester	
35% post-consumer recycled polyester	
Z2701/466177-001	Magic
Z2702/466177-002	Carob
Z2703/466177-003	Porpoise
Z2704/466177-004	Flint
Z2705/466177-005	Hush *
Z2706/466177-006	Nuance
Z2707/466177-007	Thicket
Z2708/466177-008	Cocoa
Z2709/466177-009	Pathway
Z2710/466177-010	Cola
Z2711/466177-011	Ember
Z2712/466177-012	Wagon
Z2713/466177-013	Ablaze
Z2714/466177-014	Peel
Z2715/466177-015	Penny
Z2716/466177-016	Butterscotch
Z2717/466177-017	Harvest
Z2718/466177-018	Lioness
Z2719/466177-019	Caper
Z2720/466177-020	Parakeet
Z2721/466177-021	Greenway
Z2722/466177-022	Aquatic
Z2723/466177-023	Cottage
Z2724/466177-024	Dahlia
Z2725/466177-025	Vivid
Z2726/466177-026	Basin
Z2727/466177-027	Schooner

* Color not available on Eames Aluminum Group, Executive Chairs, Upholstered Molded Plywood Chairs, and Sofa Compact.

Metric – Maharam	
54" wide	
51% post-industrial recycled polyester	
49% polyester	
Z301/466014-001	Phantom
Z302/466014-002	Fog
Z303/466014-003	Fleece
Z304/466014-004	Sourdough
Z305/466014-005	Toffee
Z306/466014-006	Driftwood
Z307/466014-007	Mineral
Z308/466014-008	Bittersweet
Z309/466014-009	Arabica
Z310/466014-010	Cerise
Z311/466014-011	Brick
Z312/466014-012	Cardinal
Z313/466014-013	Lava
Z314/466014-014	Oriole
Z315/466014-015	Cedar
Z317/466014-017	Caramel
Z318/466014-018	Pollen
Z319/466014-019	Tupelo
Z320/466014-020	Alligator
Z321/466014-021	Envy
Z322/466014-022	Bonsai
Z323/466014-023	Tar
Z324/466014-024	Anchor
Z325/466014-025	Twilight
Z326/466014-026	Admiral
Z327/466014-027	Seaport
Z328/466014-028	Scuba

Milestone – Maharam	
54" wide	
78% post-industrial recycled polyester	
15% polyester	
7% nylon	
ZML22/403901-022	Pewter
ZML25/403901-025	Charcoal
ZML26/403901-026	Ebony
ZML29/403901-029	Medium Grey
ZML31/403901-031	Ground
ZML46/403901-046	Tortoise
ZML47/403901-047	Rush
ZML54/403901-054	Linger
ZML55/403901-055	Embrace
ZML57/403901-057	Coffee
ZML58/403901-058	Bison
ZML61/403901-061	Tiger Lily
ZML62/403901-062	Aurora
ZML69/403901-069	Lychee *
ZML71/403901-071	Daffodil
ZML72/403901-072	Ecru
ZML77/403901-077	Basil
ZML78/403901-078	Spruce
ZML79/403901-079	Fountain
ZML80/403901-080	Mykonos

* Color not available on Eames Aluminum Group, Executive Chairs, Upholstered Molded Plywood Chairs, and Sofa Compact.

Price Category D

Article – Maharam	
54" wide	
100% vinyl	
ZAT08/458600-008	Marina
ZAT13/458600-013	Flume
ZAT14/458600-014	Storm
ZAT15/458600-015	Toast
ZAT19/458600-019	Fleece
ZAT22/458600-022	Stone
ZAT26/458600-026	Mercury
ZAT29/458600-029	Bluegrass
ZAT31/458600-031	Truffle

Mode – Maharam	
54" wide	
80% post-consumer recycled polyester	
20% polyester	
PFOA-Free stain resistant finish	
ZMD01/466337-001	Stroll
ZMD02/466337-002	Intaglio
ZMD03/466337-003	Ominous
ZMD04/466337-004	Machine
ZMD05/466337-005	Talus
ZMD06/466337-006	Marsh
ZMD07/466337-007	Hollow
ZMD08/466337-008	Sycamore
ZMD09/466337-009	Clavicle
ZMD10/466337-010	Billygoat
ZMD11/466337-011	Spindle
ZMD12/466337-012	Lemon
ZMD13/466337-013	Oxeye
ZMD14/466337-014	Henge
ZMD15/466337-015	Goldenrod
ZMD16/466337-016	Cottontail
ZMD17/466337-017	Lioness
ZMD18/466337-018	Oriole
ZMD19/466337-019	Rust

Price category D continued on next page

- Maharam textiles are on assigned lead times [A](#).
- Fabric numbers are listed as Herman Miller fabric number/Maharam fabric number.

Maharam Textile Colors — Collection Seating

continued

Price Category D

continued

Mode continued

ZMD20/466337-020	Carotene
ZMD21/466337-021	Blush
ZMD22/466337-022	Vermilion
ZMD23/466337-023	Alder
ZMD24/466337-024	Kermes
ZMD25/466337-025	Barberry
ZMD26/466337-026	Petal
ZMD27/466337-027	Valley
ZMD28/466337-028	Odyssey
ZMD29/466337-029	Ballpoint
ZMD30/466337-030	Toile
ZMD31/466337-031	Paradise
ZMD32/466337-032	Angelfish
ZMD33/466337-033	Denim
ZMD34/466337-034	Crush
ZMD35/466337-035	Jetty
ZMD36/466337-036	Saltwater
ZMD37/466337-037	Mallard
ZMD38/466337-038	Celtic
ZMD39/466337-039	Eucalyptus
ZMD40/466337-040	Bonsai
ZMD41/466337-041	Sassafras
ZMD42/466337-042	Yucca
ZMD43/466337-043	Lichen

Price Category E

Focus - Maharam

57" wide
54% post-industrial recycled polyester
33% polyester
13% post-consumer recycled polyester
ZFS01/465910-001 Ivory *
ZFS02/465910-002 Allow
ZFS04/465910-004 Lichen
ZFS06/465910-006 Sierra
ZFS07/465910-007 Merlot
ZFS08/465910-008 Clove
ZFS09/465910-009 Carbon
ZFS10/465910-010 Regatta
ZFS11/465910-011 Emerald

* Color not available on Eames Executive Chairs, Upholstered Molded Plywood Chairs, and Sofa Compact.

Ledger - Maharam

54" wide
100% polyurethane
V9G1/463770-001 001
V9G2/463770-002 002
V9G3/463770-003 003
V9G4/463770-004 004
V9GG/463770-017 017
V9GM/463770-022 022
V9GQ/463770-025 025
V9GS/463770-026 026
V9GU/463770-028 028
V9GV/463770-029 029
V9GW/463770-030 030
V9GX/463770-031 031
V9GY/463770-032 032
V9GZ/463770-033 033
V9G10/463770-034 034
V9G11/463770-035 035

Ledger continued

V9G12/463770-036 036
V9G13/463770-037 037
V9G14/463770-038 038
V9G15/463770-039 039
V9G16/463770-040 040
V9G17/463770-041 041
V9G18/463770-042 042
V9G19/463770-043 043
V9G20/463770-044 044
V9G21/463770-045 045
V9G22/463770-046 046

Micro - Maharam

54" wide
100% vinyl
ZMB01/466099-001 Muslin
ZMB04/466099-004 Basalt
ZMB05/466099-005 Wenge
ZMB06/466099-006 Phantom
ZMB07/466099-007 Depth
ZMB08/466099-008 Cottage
ZMB09/466099-009 Hunter
ZMB10/466099-010 Lime
ZMB11/466099-011 Tomatillo
ZMB12/466099-012 Brew
ZMB13/466099-013 Zest
ZMB14/466099-014 Tang
ZMB15/466099-015 Risk

Skein - Maharam

54" wide
56% post-consumer recycled polyester
44% polyester
Z3201/466170-001 Burrow
Z3204/466170-004 Sumac
Z3205/466170-005 Pomegranate
Z3208/466170-008 Cinder
Z3209/466170-009 Dock
Z3210/466170-010 Cadet
Z3211/466170-011 Marsh

Price Category F

Abacus Standard - Maharam

54" wide
54% post-industrial recycled polyester
46% post-consumer recycled polyester
ZAS10/466140-010 Replica *
ZAS11/466140-011 Cellar
ZAS12/466140-012 Extract

* Color not available on Eames Upholstered Molded Plywood Chairs and Sofa Compact.

Alloy - Maharam

54" wide
100% polyurethane
ZAY01/466064-001 Chalk *
ZAY02/466064-002 Oat
ZAY03/466064-003 Chamomile
ZAY04/466064-004 Navel
ZAY05/466064-005 Sultry
ZAY06/466064-006 Aubergine
ZAY07/466064-007 Truffle
ZAY08/466064-008 Peat
ZAY09/466064-009 Sapling
ZAY10/466064-010 Peacock
ZAY11/466064-011 Rave
ZAY12/466064-012 Baltic
ZAY13/466064-013 Lapis
ZAY14/466064-014 Indigo
ZAY15/466064-015 Heron
ZAY16/466064-016 Covert
ZAY17/466064-017 Zinc
ZAY18/466064-018 Mercury
ZAY19/466064-019 Flint
ZAY20/466064-020 Carbonite

* Color not available on Eames Aluminum Group, Executive Chairs, Upholstered Molded Plywood Chairs, and Sofa Compact.

Price category F continued on next page

- Maharam textiles are on assigned lead times A.
- Fabric numbers are listed as Herman Miller fabric number/Maharam fabric number.

Maharam Textile Colors — Collection Seating

continued

Price Category F

continued

Appendix: Maharam Textile Colors — Collection Seating

Alter - Maharam	
59" wide	
59% post-industrial recycled polyester	
41% post-consumer recycled polyester	
ZAL01/464880-001	Veil
ZAL02/464880-002	Terra
ZAL03/464880-003	Umbra
ZAL04/464880-004	Illustrate
ZAL05/464880-005	Glen
ZAL06/464880-006	Ore
ZAL07/464880-007	Portray

Bitmap - Maharam	
54" wide	
100% vinyl	
ZBT02/466066-002	Armadillo
ZBT03/466066-003	Sparrow
ZBT05/466066-005	Blacktop
ZBT06/466066-006	Swift
ZBT07/466066-007	Freeze
ZBT08/466066-008	Topple
ZBT09/466066-009	Silt
ZBT10/466066-010	Aloe
ZBT11/466066-011	Copper

Chime - Maharam	
54" wide	
100% vinyl	
V9M3/465350-003	Morel
V9M4/465350-004	Vessel
V9M7/465350-007	Particle
V9MA/465350-010	Peacock
V9MB/465350-011	Tranquil
V9MH/465350-018	Copper
V9MJ/465350-020	Slate
V9ML/465350-022	Eggshell
V9MM/465350-023	Cloud
V9MN/465350-024	Allium
V9MP/465350-025	Ease
V9MQ/465350-026	Slither
V9MR/465350-027	Ancient
V9MS/465350-028	Paramount
V9MT/465350-029	Bug
V9MU/465350-030	Forward
V9MV/465350-031	Verve
V9MW/465350-032	Understory
V9MX/465350-033	Royal

Coincide - Maharam	
54" wide	
100% polyester	
ZCJ01/465808-001	Mist
ZCJ02/465808-002	Drizzle
ZCJ03/465808-003	Cicada
ZCJ04/465808-004	Bungalow
ZCJ05/465808-005	Aurora
ZCJ06/465808-006	Currant
ZCJ07/465808-007	Raisin
ZCJ08/465808-008	Tranquil
ZCJ09/465808-009	Caribbean
ZCJ10/465808-010	Woodland
ZCJ11/465808-011	Acre

Crush - Maharam	
54" wide	
41% solution-dyed post-industrial recycled nylon	
41% solution-dyed nylon	
15% polyester	
3% polyolefin	
VS01/464780-001	001
VS02/464780-002	002
VS05/464780-005	005
VS08/464780-008	008
VS13/464780-013	013
VS16/464780-016	016
VS17/464780-017	017
VS18/464780-018	018
VS19/464780-019	019
VS20/464780-020	020
VS22/464780-022	022
VS23/464780-023	023
VS26/464780-026	026
VS27/464780-027	027

Exchange - Maharam	
58" wide	
58% post-industrial recycled polyester	
42% post-consumer recycled polyester	
ZEE01/466027-001	Cinder
ZEE02/466027-002	Sable
ZEE04/466027-004	Gull
ZEE06/466027-006	Coastline
ZEE07/466027-007	Clay
ZEE08/466027-008	Buck
ZEE10/466027-010	Rhubarb
ZEE11/466027-011	Punch

Minimal - Maharam	
54" wide	
100% polyurethane with silver-based antimicrobial	
ZMF01/466026-001	Cloud *
ZMF02/466026-002	Platinum
ZMF03/466026-003	Shine
ZMF04/466026-004	Gilded
ZMF05/466026-005	Acorn
ZMF06/466026-006	Zest
ZMF07/466026-007	Carnelian
ZMF09/466026-009	Capri
ZMF10/466026-010	Aquamarine
ZMF11/466026-011	Viridian
ZMF12/466026-012	Titanium
ZMF13/466026-013	Coffee
ZMF14/466026-014	Bronze

* Color not available on Eames Aluminum Group, Executive Chairs, Upholstered Molded Plywood Chairs, and Sofa Compact.

Pitch - Maharam	
54" wide	
100% vinyl	
ZPC01/466186-001	Alpine
ZPC02/466186-002	Cottonseed
ZPC03/466186-003	Sesame
ZPC04/466186-004	Pollen
ZPC05/466186-005	Citron
ZPC06/466186-006	Lime
ZPC07/466186-007	Apple
ZPC08/466186-008	Fairway
ZPC09/466186-009	Chive
ZPC10/466186-010	Ridge
ZPC11/466186-011	Voyage
ZPC12/466186-012	Turquoise
ZPC13/466186-013	Riviera
ZPC14/466186-014	Inlet
ZPC15/466186-015	Captain
ZPC16/466186-016	Aura
ZPC17/466186-017	Coastal

Price category F continued on next page

- Maharam textiles are on assigned lead times [A](#).
- Fabric numbers are listed as Herman Miller fabric number/Maharam fabric number.

Maharam Textile Colors — Collection Seating

continued

Price Category F

continued

Pitch continued

ZPC18/466186-018	Fog
ZPC19/466186-019	Coal
ZPC20/466186-020	Saddle
ZPC21/466186-021	Mulberry
ZPC22/466186-022	Brick
ZPC23/466186-023	Rocket
ZPC24/466186-024	Flame
ZPC25/466186-025	Dijon
ZPC26/466186-026	Tumbleweed
ZPC27/466186-027	Tawny
ZPC28/466186-028	Derby
ZPC29/466186-029	Subtle
ZPC30/466186-030	Buff

Plait - Maharam

58" wide	
53% post-industrial recycled polyester	
32% polyester	
15% post-consumer recycled polyester	
Z2901/466052-001	Cobblestone
Z2902/466052-002	Sachet
Z2903/466052-003	Mesa
Z2904/466052-004	Tavern
Z2905/466052-005	Sequoia
Z2906/466052-006	Rhubarb
Z2907/466052-007	Sangria
Z2908/466052-008	Reef
Z2909/466052-009	Stormy
Z2910/466052-010	Dapper

Rove - Maharam

54" wide	
100% solution-dyed polyolefin with silver-based antimicrobial	
ZRV01/466096-001	Rice *
ZRV02/466096-002	Soba
ZRV03/466096-003	Owl
ZRV04/466096-004	Till
ZRV05/466096-005	Dijon
ZRV06/466096-006	Mum
ZRV07/466096-007	Nasturtium
ZRV08/466096-008	Vixen
ZRV09/466096-009	Roast
ZRV10/466096-010	Llama
ZRV11/466096-011	Rind
ZRV12/466096-012	Grackle
ZRV13/466096-013	Indigo
ZRV14/466096-014	Drip
ZRV15/466096-015	Neptunia
ZRV16/466096-016	Pomelo
ZRV17/466096-017	Fairy

* Color not available on Eames Sofa Compact.

Runner Standard - Maharam

58" wide	
57% post-industrial recycled polyester	
43% post-consumer recycled polyester	
ZRA07/466167-007	Bluff
ZRA08/466167-008	Arid
ZRA09/466167-009	Grove
ZRA10/466167-010	Starboard
ZRA11/466167-011	Plot
ZRA12/466167-012	Carousel

Scuba - Maharam

54" wide	
100% polyurethane	
V9B1/464930-001	Vanilla
V9B4/464930-004	Walnut
V9B5/464930-005	Chinchilla
V9B6/464930-006	Mahogany
V9B7/464930-007	Jet
V9B8/464930-008	Charcoal
V9B9/464930-009	Dolphin
V9BA/464930-010	Drizzle
V9BC/464930-012	Conifer
V9BD/464930-013	Bottle
V9BF/464930-015	Tourmaline
V9BG/464930-016	Sapphire
V9BH/464930-017	Electric
V9BJ/464930-018	Fig
V9BL/464930-020	Cabernet
V9BM/464930-021	Brick
V9BN/464930-022	Coral
V9BP/464930-023	Autumn

Shuttle Standard - Maharam

54" wide	
84% post-industrial recycled polyester	
16% post-consumer recycled polyester	
ZSS16/466168-016	Clam
ZSS17/466168-017	Plateau
ZSS18/466168-018	Shoal

Steady - Maharam

54" wide	
46% polyester	
35% post-industrial recycled polyester	
19% post-consumer recycled polyester	
ZSG01/465947-001	Cameo
ZSG02/465947-002	Drife
ZSG03/465947-003	Summit
ZSG05/465947-005	Thrive
ZSG06/465947-006	Estuary
ZSG07/465947-007	Aegean
ZSG08/465947-008	Tidal

Strum - Maharam

54" wide	
100% polyurethane with silane-based antimicrobial	
Z3301/466122-001	Overcast
Z3302/466122-002	Ridge
Z3303/466122-003	Twilight
Z3304/466122-004	Pigeon
Z3305/466122-005	Char
Z3306/466122-006	Cabin
Z3307/466122-007	Bur
Z3308/466122-008	Abalone
Z3309/466122-009	Prawn
Z3310/466122-010	Gourd
Z3311/466122-011	Wheat
Z3312/466122-012	Lemongrass

Trait - Maharam

54" wide	
50% solution-dyed nylon	
50% solution-dyed post-industrial recycled nylon	
TP01/464830-001	001
TP09/464830-009	009
TP15/464830-015	015
TP16/464830-016	016
TP17/464830-017	017
TP19/464830-019	019
TP20/464830-020	020
TP22/464830-022	022
TP23/464830-023	023

Appendix: Maharam Textile Colors — Collection Seating

- Maharam textiles are on assigned lead times [A](#).
- Fabric numbers are listed as Herman Miller fabric number/Maharam fabric number.

Maharam Textile Colors – Collection Seating

continued

Price Category G

Appendix: Maharam Textile Colors – Collection Seating

Across - Maharam

54" wide	
100% post-consumer recycled polyester	
ZAD01/465964-001	Oat
ZAD02/465964-002	Camel
ZAD03/465964-003	Tobacco
ZAD04/465964-004	Forge
ZAD05/465964-005	Terrace
ZAD06/465964-006	Cloudburst
ZAD07/465964-007	Peacock
ZAD08/465964-008	Schooner
ZAD09/465964-009	Urge
ZAD10/465964-010	Earthen
ZAD11/465964-011	Marmalade

Akimbo - Maharam

54" wide	
100% solution-dyed nylon	
ZAK01/464770-001	Parchment
ZAK02/464770-002	Bliss
ZAK04/464770-004	Walnut
ZAK05/464770-005	Carnelian
ZAK07/464770-007	Hearth

Basel – Maharam

55" wide	
90% wool	
10% nylon	
ZB101/466214-121	121
ZB102/466214-123	123
ZB103/466214-126	126
ZB104/466214-127	127
ZB105/466214-129	129
ZB106/466214-181	181
ZB107/466214-183	183
ZB108/466214-186	186
ZB109/466214-187	187
ZB110/466214-189	189

Canvas – Maharam

55" wide	
90% wool	
10% nylon	
ZC501/466185-114	114 *
ZC502/466185-124	124
ZC503/466185-134	134
ZC504/466185-154	154
ZC505/466185-174	174
ZC506/466185-224	224 *
ZC507/466185-244	244
ZC508/466185-254	254
ZC509/466185-264	264
ZC510/466185-364	364
ZC511/466185-374	374
ZC512/466185-414	414 *
ZC513/466185-424	424
ZC514/466185-454	454
ZC515/466185-614	614 *
ZC516/466185-644	644
ZC517/466185-654	654
ZC518/466185-674	674
ZC519/466185-684	684
ZC520/466185-694	694
ZC521/466185-734	734
ZC522/466185-764	764
ZC523/466185-794	794
ZC524/466185-854	854
ZC525/466185-954	954
ZC526/466185-964	964
ZC527/466185-974	974
ZC528/466185-984	984
ZC529/466185-216	216
ZC530/466185-356	356
ZC531/466185-446	446
ZC532/466185-546	546
ZC533/466185-556	556
ZC534/466185-566	566
ZC535/466185-576	576

* Color not available on Eames Upholstered Molded Plywood Chairs and Sofa Compact.

Canvas – Maharam continued

ZC536/466185-666	666
ZC537/466185-716	716
ZC538/466185-726	726
ZC539/466185-746	746
ZC540/466185-786	786
ZC541/466185-836	836
ZC542/466185-926	926
ZC543/466185-936	936
ZC544/466185-946	946
ZC545/466185-996	996

* Color not available on Eames Upholstered Molded Plywood Chairs and Sofa Compact.

Chance – Maharam

54" wide	
62% cotton	
33% polyester	
5% rayon	
V9C1/464010-001	Harvest
V9C4/464010-004	Pond
V9C5/464010-005	Pencil
V9C6/464010-006	Bison

Circuit - Maharam

54" wide	
38% rayon	
34% post-industrial recycled polyester	
28% post-consumer recycled polyester	
ZCU07/466089-007	Radar

Coincide High Performance- Maharam

54" wide	
100% polyester	
ZCF02/466132-002	Drizzle
ZCF03/466132-003	Cicada
ZCF04/466132-004	Bungalow
ZCF07/466132-007	Raisin
ZCF10/466132-010	Woodland
ZCF11/466132-011	Acre

Colline – Maharam

55" wide	
75% wool	
17% acrylic	
8% nylon	
ZCQ01/466155-108	108 *
ZCQ02/466155-118	118
ZCQ03/466155-148	148
ZCQ04/466155-188	188
ZCQ05/466155-228	228
ZCQ06/466155-348	348
ZCQ07/466155-448	448
ZCQ08/466155-548	548
ZCQ09/466155-568	568
ZCQ10/466155-668	668
ZCQ11/466155-688	688
ZCQ12/466155-788	788

* Color not available on Striad Lounge Chair and Ottoman.

Compound - Maharam

54" wide	
100% polyurethane with silane-based antimicrobial	
ZC201/466196-001	Quartz
ZC202/466196-002	Mirage
ZC203/466196-003	Weathered
ZC204/466196-004	Cliff
ZC205/466196-005	Espresso
ZC206/466196-006	Smolder
ZC207/466196-007	Blaze
ZC208/466196-008	Mandarin
ZC209/466196-009	Maple
ZC210/466196-010	Perennial
ZC211/466196-011	Mountainside
ZC212/466196-012	Tundra
ZC213/466196-013	Manatee
ZC214/466196-014	Marine
ZC215/466196-015	Twilight
ZC216/466196-016	Shelter
ZC217/466196-017	Vessel
ZC218/466196-018	Smoke
ZC219/466196-019	Fog

Price category G continued on next page

- Maharam textiles are on assigned lead times [A](#).
- Fabric numbers are listed as Herman Miller fabric number/Maharam fabric number.

Maharam Textile Colors — Collection Seating

continued

Price Category G

continued

Crew - Maharam	
54" wide	
100% polyester	
ZCZ01/466149-001	Guide
ZCZ02/466149-002	Pike
ZCZ03/466149-003	Dock
ZCZ04/466149-004	Topiary
ZCZ05/466149-005	Hosta
ZCZ06/466149-006	Cork
ZCZ07/466149-007	Cinnamon
ZCZ08/466149-008	Stern
ZCZ09/466149-009	Soak
ZCZ10/466149-010	Jam
ZCZ11/466149-011	Impulse

Dart - Maharam	
54" wide	
63% polyester	
37% cotton	
T104/464040-004	Bartlett
T105/464040-005	Desert
T106/464040-006	Beeswax
T107/464040-007	Fiesta
T111/464040-011	Bittersweet
T114/464040-014	Cajole
T116/464040-016	Nightshade
T117/464040-017	Scribe
T118/464040-018	Shale
T119/464040-019	Masala
T120/464040-020	Ardor
T121/464040-021	Cinnamon
T122/464040-022	Maize
T123/464040-023	Wade
T124/464040-024	Flood

Decode – Maharam	
54" wide	
50% solution-dyed nylon	
50% solution-dyed post-industrial recycled nylon	
VA06/464800-006	006
VA07/464800-007	007
VA12/464800-012	012
VA13/464800-013	013
VA14/464800-014	014
VA15/464800-015	015
VA17/464800-017	017

Disperse - Maharam	
53" wide	
100% post-consumer recycled polyester	
ZDP02/466017-002	Sky
ZDP03/466017-003	Chalk
ZDP05/466017-005	Lime
ZDP06/466017-006	Mediterranean
ZDP07/466017-007	Cornflower
ZDP09/466017-009	Ember
ZDP10/466017-010	Carnelian
ZDP13/466017-013	Midnight

Divina Melange — Maharam	
59" wide	
100% wool	
TG01/460830-120	120
TG02/460830-170	170
TG03/460830-180	180
TG04/460830-220	220
TG05/460830-260	260
TG06/460830-280	280
TG07/460830-871	871
TG08/460830-821	821
TG09/460830-771	771
TG10/460830-721	721
TG11/460830-731	731
TG12/460830-681	681
TG13/460830-631	631
TG15/460830-671	671
TG16/460830-581	581
TG17/460830-531	531
TG18/460830-521	521
TG19/460830-571	571
TG20/460830-421	421
TG21/460830-471	471
TG22/460830-931	931
TG24/460830-971	971
TG25/460830-920	920
TG26/460830-620	620

Drape - Maharam	
54" wide	
100% vinyl	
ZDE01/466145-001	Chalk
ZDE02/466145-002	Rail
ZDE03/466145-003	Terminal
ZDE04/466145-004	Cog
ZDE05/466145-005	Alert
ZDE06/466145-006	Pallet
ZDE07/466145-007	Flag
ZDE08/466145-008	Carrier
ZDE10/466145-010	Cargo

Floret - Maharam	
54" wide	
100% polyester	
ZFE01/464070-001	Venice
ZFE03/464070-003	Cedar
ZFE05/464070-005	Amaranth
ZFE06/464070-006	Offshore
ZFE08/464070-008	Arabica
ZFE09/464070-009	Midnight

Fluent Crypton - Maharam	
54" wide	
52% polyester	
31% post-industrial recycled polyester	
17% post-consumer recycled polyester	
ZFC01/466073-001	Lynx
ZFC02/466073-002	Burlap
ZFC04/466073-004	Rum
ZFC08/466073-008	Bittersweet
ZFC09/466073-009	Mulch
ZFC12/466073-012	Bayou
ZFC13/466073-013	Bottle
ZFC14/466073-014	Cadet
ZFC15/466073-015	Formal
ZFC16/466073-016	Gentle
ZFC17/466073-017	Cub
ZFC18/466073-018	Patch
ZFC19/466073-019	Bounce
ZFC20/466073-020	Aubergine
ZFC21/466073-021	Bedrock
ZFC22/466073-022	Turf
ZFC23/466073-023	Cobalt
ZFC24/466073-024	Steady

Price category G continued on next page

Appendix: Maharam Textile Colors — Collection Seating

- Maharam textiles are on assigned lead times ^A.
- Fabric numbers are listed as Herman Miller fabric number/Maharam fabric number.

Maharam Textile Colors – Collection Seating

continued

Price Category G

continued

Kindred - Maharam	
54" wide	
90% polyester	
10% rayon	
ZKN01/466166-001	Mason
ZKN02/466166-002	Cove
ZKN03/466166-003	Fresh
ZKN04/466166-004	Glen
ZKN05/466166-005	Heirloom
ZKN06/466166-006	Chestnut
ZKN07/466166-007	Chimineia

Mimic - Maharam	
54" wide	
100% polyurethane with silane-based antimicrobial	
ZMM01/466136-001	Cloud *
ZMM02/466136-002	Enamel
ZMM03/466136-003	Almond
ZMM04/466136-004	Cement
ZMM05/466136-005	Clay
ZMM06/466136-006	Suntan
ZMM07/466136-007	Totem
ZMM08/466136-008	Castanet
ZMM09/466136-009	Panther
ZMM10/466136-010	Umbrá
ZMM11/466136-011	Ultramarine
ZMM12/466136-012	Reservoir
ZMM13/466136-013	Iguana
ZMM14/466136-014	Goldenrod
ZMM15/466136-015	Chutney
ZMM16/466136-016	Laser

* Color not available on Eames Aluminum Group, Executive Chairs, Upholstered Molded Plywood Chairs, and Sofa Compact.

Mortise - Maharam	
54" wide	
45% polyester	
36% post-industrial recycled polyester	
19% post-consumer recycled polyester	
Crypton Green	
ZMR01/466213-001	001
ZMR02/466213-002	002
ZMR03/466213-003	003
ZMR04/466213-004	004
ZMR05/466213-005	005
ZMR06/466213-006	006
ZMR07/466213-007	007

Omen - Maharam	
54" wide	
75% polyester	
16% post-industrial recycled polyester	
9% post-consumer recycled polyester	
ZQM07/466172-007	Glacier
ZQM09/466172-009	Wade
ZQM11/466172-011	Silt

Paver - Maharam	
54" wide	
100% solution-dyed polyolefin with silver-based antimicrobial	
ZPV02/466111-002	Billow
ZPV12/466111-012	Channel
ZPV13/466111-013	Pontoon

Remix – Maharam	
54" wide	
90% wool	
10% nylon	
V2601/465956-113	113
V2602/465956-123	123
V2603/465956-133	133
V2604/465956-143	143
V2605/465956-152	152
V2606/465956-163	163

Remix continued	
V2607/465956-173	173
V2608/465956-183	183
V2609/465956-223	223
V2610/465956-233	233
V2611/465956-242	242
V2612/465956-252	252
V2613/465956-362	362
V2614/465956-373	373
V2615/465956-383	383
V2616/465956-393	393
V2617/465956-412	412
V2618/465956-422	422
V2619/465956-433	433
V2620/465956-443	443
V2621/465956-452	452
V2622/465956-543	543
V2623/465956-612	612
V2624/465956-632	632
V2625/465956-643	643
V2626/465956-653	653
V2627/465956-662	662
V2628/465956-672	672
V2629/465956-682	682
V2630/465956-692	692
V2631/465956-722	722
V2632/465956-733	733
V2633/465956-743	743
V2634/465956-753	753
V2635/465956-762	762
V2636/465956-773	773
V2637/465956-783	783
V2638/465956-823	823
V2639/465956-842	842
V2640/465956-852	852
V2641/465956-873	873
V2642/465956-912	912
V2643/465956-923	923
V2644/465956-933	933
V2645/465956-942	942
V2646/465956-962	962
V2647/465956-973	973
V2648/465956-982	982
V2649/465956-954	954

Rise - Maharam	
54" wide	
100% vinyl	
ZRB01/466146-001	Fig
ZRB02/466146-002	Cement
ZRB07/466146-007	Nordic
ZRB09/466146-009	Ultra
ZRB10/466146-010	Electric

Runner - Maharam	
54" wide	
57% post-industrial recycled polyester	
43% post-consumer recycled polyester	
ZRF01/466108-001	Bluff
ZRF02/466108-002	Arid
ZRF03/466108-003	Grove
ZRF04/466108-004	Starboard
ZRF05/466108-005	Plot
ZRF06/466108-006	Carousel

Sequence - Maharam	
54" wide	
100% solution-dyed polyolefin with silver-based antimicrobial	
Z3101/466179-001	Driftwood
Z3102/466179-002	Boardwalk
Z3104/466179-004	Alfresco
Z3105/466179-005	Plunge
Z3106/466179-006	Starboard
Z3107/466179-007	Veranda
Z3108/466179-008	Lodge
Z3109/466179-009	Flare

Price category G continued on next page

- Maharam textiles are on assigned lead times [A](#).
- Fabric numbers are listed as Herman Miller fabric number/Maharam fabric number.

Maharam Textile Colors – Collection Seating

continued

Price Category G

continued

Steady Crypton - Maharam

54" wide	
46% polyester	
35% post-industrial recycled polyester	
19% post-consumer recycled polyester	
V9E1/465946-001	Cameo
V9E2/465946-002	Drift
V9E4/465946-004	Bison
V9E5/465946-005	Thrive
V9E6/465946-006	Estuary
V9E7/465946-007	Aegean
V9E8/465946-008	Tidal
V9E9/465946-009	Acre
V9EA/465946-010	Marigold
V9EB/465946-011	Rhubarb
V9EC/465946-012	Brick

Steelcut – Maharam

55" wide	
90% wool	
10% nylon	
ZSE01/464470-110	110 *
ZSE02/464470-120	120
ZSE03/464470-135	135
ZSE04/464470-140	140
ZSE05/464470-155	155
ZSE06/464470-160	160
ZSE07/464470-180	180
ZSE08/464470-190	190
ZSE09/464470-220	220
ZSE10/464470-240	240
ZSE11/464470-255	255
ZSE12/464470-265	265
ZSE13/464470-365	365
ZSE14/464470-370	370
ZSE15/464470-380	380
ZSE16/464470-435	435
ZSE17/464470-445	445 *
ZSE18/464470-535	535
ZSE19/464470-545	545
ZSE20/464470-550	550

Steelcut continued

ZSE21/464470-605	605
ZSE22/464470-615	615
ZSE23/464470-625	625
ZSE24/464470-635	635
ZSE25/464470-655	655
ZSE26/464470-660	660
ZSE27/464470-685	685
ZSE28/464470-695	695
ZSE29/464470-760	760
ZSE30/464470-775	775
ZSE31/464470-780	780
ZSE32/464470-820	820
ZSE33/464470-835	835
ZSE34/464470-935	935
ZSE35/464470-950	950
ZSE36/464470-975	975
ZSE37/464470-985	985

* Color not available on Eames Executive Chairs, Upholstered Molded Plywood Chairs, and Sofa Compact.

Steelcut Trio – Maharam

55" wide	
90% wool	
10% nylon	
V2501/465906-105	105 * **
V2502/465906-113	113
V2503/465906-124	124
V2504/465906-133	133 *
V2506/465906-153	153
V2507/465906-195	195
V2508/465906-205	205 **
V2509/465906-213	213 *
V2513/465906-253	253
V2514/465906-283	283
V2518/465906-383	383
V2523/465906-453	453
V2525/465906-515	515 *
V2526/465906-533	533

Steelcut Trio continued

V2527/465906-553	553 *
V2529/465906-645	645
V2534/465906-713	713
V2542/465906-865	865
V2543/465906-883	883
V2544/465906-915	915 *
V2545/465906-933	933
V2546/465906-945	945
V2547/465906-953	953
V2548/465906-965	965
V2549/465906-983	983
V2550/465906-176	176
V2551/465906-226	226
V2552/465906-236	236
V2553/465906-246	246
V2554/465906-266	266
V2555/465906-276	276
V2556/465906-336	336
V2557/465906-376	376
V2558/465906-416	416
V2559/465906-426	426
V2560/465906-436	436
V2561/465906-446	446
V2562/465906-466	466
V2563/465906-476	476
V2564/465906-506	506
V2565/465906-526	526
V2566/465906-576	576
V2567/465906-616	616
V2568/465906-636	636
V2569/465906-666	666
V2570/465906-686	686
V2571/465906-716	716
V2572/465906-746	746
V2573/465906-756	756
V2574/465906-776	776
V2575/465906-796	796
V2576/465906-806	806
V2577/465906-906	906
V2578/465906-916	916

Steelcut Trio continued

V2579/465906-946	946
V2580/465906-966	966
V2581/465906-976	976
V2582/465906-996	996

* Colors available on Bevel Sofa and Bolster Sofa.

** Colors not available on Eames Molded Fiberglass Chairs Upholstered Seat Pad, Eames Molded Plastic Chairs Upholstered Seat Pad, and Eames Wire Chair Upholstered Seat Pad.

Sudden – Maharam

54" wide	
100% polyurethane	
ZSD02/463000-002	002
ZSD03/463000-003	003
ZSD05/463000-005	005
ZSD06/463000-006	006
ZSD07/463000-007	007
ZSD08/463000-008	008
ZSD09/463000-009	009
ZSD10/463000-010	010
ZSD11/463000-011	011
ZSD13/463000-013	013
ZSD15/463000-015	015
ZSD16/463000-016	016
ZSD17/463000-017	017
ZSD18/463000-018	018
ZSD19/463000-019	019
ZSD20/463000-020	020
ZSD24/463000-024	024
ZSD27/463000-027	027
ZSD29/463000-029	029
ZSD30/463000-030	030
ZSD36/463000-036	036

Price category G continued on next page

- Maharam textiles are on assigned lead times [A].
- Fabric numbers are listed as Herman Miller fabric number/Maharam fabric number.

Maharam Textile Colors – Collection Seating

continued

Price Category G

continued

Tilt - Maharam	
55" wide	
56% cotton	
35% polyester	
9% rayon	
ZTT01/466256-001	001
ZTT02/466256-002	002
ZTT03/466256-003	003
ZTT04/466256-004	004
ZTT05/466256-005	005
ZTT06/466256-006	006
ZTT07/466256-007	007
ZTT08/466256-008	008

Tonica – Maharam	
55" wide	
100% wool	
ZTC01/460850-111	111
ZTC02/460850-131	131
ZTC03/460850-132	132
ZTC04/460850-171	171
ZTC05/460850-182	182
ZTC06/460850-192	192
ZTC07/460850-221	221
ZTC08/460850-231	231
ZTC09/460850-272	272
ZTC10/460850-411	411
ZTC11/460850-412	412
ZTC12/460850-511	511
ZTC13/460850-512	512
ZTC14/460850-531	531
ZTC15/460850-532	532
ZTC16/460850-611	611
ZTC17/460850-612	612
ZTC18/460850-631	631
ZTC19/460850-632	632
ZTC20/460850-671	671
ZTC21/460850-672	672
ZTC22/460850-731	731
ZTC23/460850-732	732

Tonica continued	
ZTC24/460850-751	751
ZTC25/460850-752	752
ZTC26/460850-761	761
ZTC27/460850-762	762
ZTC28/460850-791	791
ZTC29/460850-792	792
ZTC30/460850-811	811
ZTC31/460850-812	812
ZTC32/460850-831	831
ZTC33/460850-832	832
ZTC34/460850-961	961
ZTC35/460850-962	962

Urban - Maharam	
54" wide	
90% polyester	
10% rayon	
ZUR01/466079-001	Sketch
ZUR02/466079-002	Minnow
ZUR03/466079-003	Cremini
ZUR05/466079-005	Hearth
ZUR06/466079-006	Pool
ZUR07/466079-007	Marsh

Vestige - Maharam	
54" wide	
71% polyester	
29% rayon	
ZVT01/466259-001	001
ZVT02/466259-002	002
ZVT03/466259-003	003
ZVT04/466259-004	004
ZVT05/466259-005	005
ZVT06/466259-006	006
ZVT07/466259-007	007
ZVT08/466259-008	008
ZVT09/466259-009	009
ZVT10/466259-010	010

Price Category H

Abacus - Maharam	
54" wide	
54% post-industrial recycled polyester	
46% post-consumer recycled polyester	
ZAC01/466118-001	Replica *
ZAC02/466118-002	Canoe
ZAC03/466118-003	Cellar
ZAC04/466118-004	Restore
ZAC05/466118-005	Sprig
ZAC06/466118-006	Distill
ZAC07/466118-007	Festive
ZAC08/466118-008	Extract
ZAC09/466118-009	Silhouette

* Color not available on Eames Executive Chairs, Upholstered Molded Plywood Chairs, and Sofa Compact.

Anagram - Maharam	
54" wide	
42% cotton	
32% polyester	
26% nylon	
ZAN01/466067-001	Quarry
ZAN02/466067-002	Hush
ZAN03/466067-003	Electric
ZAN04/466067-004	Range
ZAN05/466067-005	Settle

Beam - Maharam	
54" wide	
58% polyester	
42% rayon	
ZBM07/466119-007	Brook
ZBM10/466119-010	Simmer

Blip - Maharam	
54" wide	
44% rayon	
24% nylon	
21% post-industrial recycled polyester	
11% post-consumer recycled polyester	
ZBG01/466129-001	Miner
ZBG04/466129-004	Tank
ZBG05/466129-005	Cove
ZBG06/466129-006	Coal
ZBG07/466129-007	Robust
ZBG08/466129-008	Siege

Chenille Cord - Maharam	
54" wide	
43% solution-dyed post-industrial recycled nylon	
42% solution-dyed nylon	
13% polyester	
2% polyolefin	
ZCC04/407808-004	004
ZCC06/407808-006	006
ZCC10/407808-010	010
ZCC18/407808-018	018
ZCC30/407808-030	030
ZCC32/407808-032	032
ZCC34/407808-034	034
ZCC35/407808-035	035
ZCC36/407808-036	036

Circles — Maharam	
55" wide	
70% cotton	
30% polyester	
ZT01/458310-001	Khaki
ZT02/458310-002	Fatigue
ZT03/458310-003	Document
ZT04/458310-004	Engine

Price category H continued on next page

- Maharam textiles are on assigned lead times [A](#).
- Fabric numbers are listed as Herman Miller fabric number/Maharam fabric number.

Maharam Textile Colors — Collection Seating

continued

Price Category H

continued

Crosspatch — Maharam	
54" wide	
75% rayon	
25% polyester	
ZS01/458920-001	Song
ZS02/458920-002	Fresh
ZS04/458920-004	Document
ZS06/458920-006	Circus
ZS08/458920-008	Grounded

Ditto — Maharam	
54" wide	
77% post-industrial recycled polyester	
23% solution-dyed nylon	
Z2D1/465993-001	Nacre
Z2D2/465993-002	Shadow
Z2D3/465993-003	Saddle
Z2D9/465993-009	Fern
Z2DA/465993-010	Fountain
Z2DC/465993-012	Iron
Z2DD/465993-013	Driftwood

Divina — Maharam	
59" wide	
100% wool	
TF01/460730-154	154
TF03/460730-171	171
TF04/460730-173	173
TF05/460730-181	181
TF06/460730-191	191
TF08/460730-224	224
TF10/460730-236	236
TF13/460730-246	246
TF14/460730-334	334
TF16/460730-346	346
TF17/460730-356	356
TF18/460730-376	376
TF19/460730-384	384
TF20/460730-393	393
TF22/460730-426	426
TF23/460730-444	444
TF25/460730-462	462
TF26/460730-526	526
TF27/460730-536	536

Divina continued	
TF29/460730-542	542
TF30/460730-552	552
TF31/460730-562	562
TF33/460730-584	584
TF37/460730-623	623
TF41/460730-626	626
TF42/460730-636	636
TF43/460730-652	652
TF47/460730-662	662
TF49/460730-666	666
TF51/460730-671	671
TF53/460730-676	676
TF55/460730-684	684
TF56/460730-686	686
TF57/460730-691	691
TF58/460730-692	692
TF69/460730-696	696
TF70/460730-756	756
TF71/460730-826	826
TF72/460730-836	836
TF73/460730-846	846
TF74/460730-856	856
TF75/460730-876	876
TF76/460730-886	886
TF77/460730-936	936
TF78/460730-956	956
TF79/460730-966	966

Divina MD - Maharam	
59" wide	
100% wool	
Z2301/466150-193	193
Z2302/466150-203	203
Z2303/466150-213	213
Z2304/466150-293	293
Z2305/466150-343	343
Z2306/466150-353	353
Z2307/466150-363	363
Z2308/466150-413	413
Z2309/466150-433	433
Z2310/466150-453	453
Z2311/466150-613	613
Z2312/466150-633	633
Z2313/466150-653	653

Divina MD continued	
Z2314/466150-673	673
Z2315/466150-683	683
Z2316/466150-713	713
Z2317/466150-733	733
Z2318/466150-743	743
Z2319/466150-753	753
Z2320/466150-773	773
Z2321/466150-783	783
Z2322/466150-813	813
Z2323/466150-843	843
Z2324/466150-873	873
Z2325/466150-913	913
Z2326/466150-943	943
Z2327/466150-973	973

Dot Pattern — Maharam	
55" wide	
71% cotton	
29% polyester	
ZK01/458300-001	Document
ZK02/458300-002	Taupe
ZK04/458300-004	Red
ZK05/458300-005	Navy

Fasten — Maharam	
54" wide	
39% cotton	
39% rayon	
22% solution-dyed nylon	
ZFN05/466053-005	Canyon
ZFN08/466053-008	Monsoon

Hallingdal - Maharam	
51" wide	
70% wool	
30% rayon	
Z2401/460760-100	100 *
Z2402/460760-103	103
Z2403/460760-110	110 *
Z2404/460760-113	113
Z2405/460760-116	116
Z2406/460760-123	123
Z2407/460760-126	126
Z2408/460760-130	130
Z2409/460760-143	143 *
Z2410/460760-153	153 *
Z2411/460760-166	166 *
Z2412/460760-173	173
Z2413/460760-180	180 *
Z2414/460760-190	190
Z2415/460760-200	200
Z2416/460760-220	220 *
Z2417/460760-224	224
Z2418/460760-227	227
Z2419/460760-270	270
Z2420/460760-350	350 *
Z2421/460760-368	368 *
Z2422/460760-370	370
Z2423/460760-376	376
Z2424/460760-390	390
Z2425/460760-407	407
Z2426/460760-420	420
Z2427/460760-457	457
Z2428/460760-526	526
Z2429/460760-547	547
Z2430/460760-563	563
Z2431/460760-573	573
Z2432/460760-590	590 *
Z2433/460760-596	596
Z2434/460760-600	600 *

Price category H continued on next page

- Maharam textiles are on assigned lead times [A](#).
- Fabric numbers are listed as Herman Miller fabric number/Maharam fabric number.

Maharam Textile Colors – Collection Seating

continued

Price Category H

continued

Appendix: Maharam Textile Colors – Collection Seating

Hallingdal continued	
Z2435/460760-657	657
Z2436/460760-660	660
Z2437/460760-674	674
Z2438/460760-680	680
Z2439/460760-687	687
Z2440/460760-694	694
Z2441/460760-702	702
Z2442/460760-723	723
Z2443/460760-733	733
Z2444/460760-750	750
Z2445/460760-753	753
Z2446/460760-754	754
Z2447/460760-763	763
Z2448/460760-764	764 *
Z2449/460760-773	773
Z2450/460760-810	810 *
Z2451/460760-840	840 *
Z2452/460760-850	850
Z2453/460760-890	890
Z2454/460760-907	907
Z2455/460760-944	944
Z2456/460760-960	960
Z2457/460760-968	968
Z2458/460760-980	980

* Colors available on Bevel Sofa and Bolster Sofa.

Helix - Maharam	
54" wide	
54% polyester	
24% solution-dyed nylon	
22% rayon	
ZKX01/466271-001	001
ZKX02/466271-002	002
ZKX03/466271-003	003
ZKX04/466271-004	004
ZKX06/466271-006	006

Mechanism – Maharam	
54" wide	
100% polyester	
ZMC01/465952-001	Mercury
ZMC03/465952-003	Frenzy
ZMC10/465952-010	Pearl
ZMC11/465952-011	Bronze
ZMC13/465952-013	Titanium
ZMC14/465952-014	Smoke
ZMC15/465952-015	Tangerine
ZMC16/465952-016	Glow
ZMC17/465952-017	Sprout
ZMC18/465952-018	Aqua
ZMC19/465952-019	Sapphire

Mister – Maharam	
54" wide	
67% solution-dyed acrylic	
33% solution-dyed polyester	
ZMG01/466178-001	Breeze
ZMG02/466178-002	Meander
ZMG03/466178-003	Cricket
ZMG04/466178-004	Enliven
ZMG05/466178-005	Notice
ZMG06/466178-006	Azurite

Octave – Maharam	
54" wide	
65% solution-dyed acrylic	
35% solution-dyed polyester	
ZQT01/466116-001	Crisp
ZQT02/466116-002	Froth
ZQT03/466116-003	Beacon
ZQT04/466116-004	Ignite
ZQT06/466116-006	Theater
ZQT07/466116-007	Scenery
ZQT08/466116-008	Elope
ZQT09/466116-009	Spry
ZQT11/466116-011	Navigate

Offset – Maharam	
54" wide	
40% cotton	
36% nylon	
24% wool	
ZQF01/465951-001	Passage
ZQF02/465951-002	Fieldstone
ZQF03/465951-003	Coast
ZQF04/465951-004	Esplanade
ZQF05/465951-005	Oasis
ZQF06/465951-006	Spice
ZQF07/465951-007	Bloom

Outback - Maharam	
55" wide	
80% wool	
20% nylon	
ZQB01/466061-111	111
ZQB02/466061-121	121
ZQB03/466061-141	141
ZQB04/466061-151	151
ZQB05/466061-191	191
ZQB06/466061-221	221
ZQB07/466061-231	231
ZQB08/466061-241	241
ZQB09/466061-331	331
ZQB10/466061-351	351
ZQB11/466061-381	381
ZQB12/466061-451	451
ZQB13/466061-641	641
ZQB14/466061-671	671
ZQB15/466061-781	781
ZQB16/466061-851	851
ZQB17/466061-861	861
ZQB18/466061-941	941
ZQB19/466061-951	951
ZQB20/466061-961	961

Regatta – Maharam	
54" wide	
65% solution-dyed acrylic	
35% solution-dyed polyester	
ZRT01/466189-001	Drift
ZRT02/466189-002	Parasol
ZRT03/466189-003	Shoreline
ZRT04/466189-004	Swell
ZRT05/466189-005	Cliff

Rule – Maharam	
54" wide	
67% solution-dyed acrylic	
33% solution-dyed polyester	
ZRU02/466190-002	Sail
ZRU03/466190-003	Refresh
ZRU04/466190-004	Spring
ZRU05/466190-005	Burst
ZRU06/466190-006	Pepper
ZRU07/466190-007	Dock
ZRU08/466190-008	Night sky

Salon – Maharam	
54" wide	
92% wool	
8% nylon	
ZSL06/458670-006	Shade
ZSL09/458670-009	Brazen
ZSL11/458670-011	Tempest
ZSL14/458670-014	Path
ZSL16/458670-016	Spruce
ZSL18/458670-018	Island
ZSL21/458670-021	Fog
ZSL22/458670-022	Fieldstone
ZSL23/458670-023	Mulberry
ZSL24/458670-024	Terracotta

Price category H continued on next page

- Maharam textiles are on assigned lead times [A](#).
- Fabric numbers are listed as Herman Miller fabric number/Maharam fabric number.

Maharam Textile Colors — Collection Seating

continued

Price Category H

continued

Small Dot Pattern — Maharam

55" wide	
71% cotton	
29% polyester	
ZL01/458320-001	Document
ZL02/458320-002	Sand
ZL03/458320-003	Khaki
ZL04/458320-004	Taupe
ZL05/458320-005	Charcoal
ZL06/458320-006	Document
	Reverse
ZL07/458320-007	Red
ZL08/458320-008	Yellow
ZL09/458320-009	Green

Star - Maharam

55" wide	
100% trevira cs polyester	
ZST01/465966-117	117 *
ZST03/465966-177	177
ZST04/465966-197	197
ZST05/465966-237	237
ZST07/465966-357	357
ZST08/465966-367	367
ZST13/465966-547	547
ZST17/465966-667	667
ZST18/465966-687	687
ZST21/465966-757	757
ZST23/465966-787	787
ZST26/465966-947	947
ZST28/465966-222	222
ZST29/465966-442	442
ZST30/465966-452	452
ZST31/465966-622	622
ZST32/465966-642	642
ZST33/465966-692	692
ZST34/465966-742	742
ZST35/465966-932	932

Tonus - Maharam

51" wide	
90% wool	
10% helanka	
ZTN01/460800-100	100
ZTN03/460800-109	109
ZTN05/460800-118	118
ZTN10/460800-125	125
ZTN13/460800-128	128
ZTN14/460800-129	129
ZTN15/460800-130	130
ZTN16/460800-131	131
ZTN17/460800-132	132
ZTN19/460800-135	135
ZTN21/460800-207	207
ZTN23/460800-210	210
ZTN26/460800-216	216
ZTN27/460800-240	240
ZTN29/460800-440	440
ZTN32/460800-508	508
ZTN34/460800-605	605
ZTN35/460800-608	608
ZTN36/460800-609	609
ZTN37/460800-610	610
ZTN38/460800-613	613
ZTN40/460800-615	615
ZTN41/460800-619	619
ZTN51/460800-631	631

Tonus continued

ZTN54/460800-634	634
ZTN56/460800-636	636
ZTN59/460800-690	690
ZTN62/460800-840	840
ZTN63/460800-940	940
ZTN65/460800-224	224
ZTN66/460800-244	244
ZTN67/460800-364	364
ZTN68/460800-374	374
ZTN69/460800-394	394
ZTN70/460800-424	424
ZTN71/460800-454	454
ZTN72/460800-464	464
ZTN73/460800-474	474
ZTN74/460800-554	554
ZTN75/460800-654	654
ZTN76/460800-664	664
ZTN77/460800-684	684
ZTN78/460800-754	754
ZTN79/460800-764	764
ZTN80/460800-854	854
ZTN81/460800-914	914
ZTN82/460800-934	934
ZTN83/460800-954	954
ZTN84/460800-964	964
ZTN85/460800-974	974

Price Category I

Centric — Maharam

54" wide	
34% rayon	
33% cotton	
33% polyester	
ZCT02/466056-002	Lead
ZCT04/466056-004	Claret
ZCT07/466056-007	Splendor

Colorwheel — Maharam

54" wide	
62% cotton	
38% solution-dyed	
post-industrial recycled nylon	
ZCW02/466163-002	Pumice
ZCW03/466163-003	Viridian
ZCW06/466163-006	Charcoal
ZCW07/466163-007	Carbon

Garden — Maharam

54" wide	
39% solution-dyed	
post-industrial recycled nylon	
31% rayon	
30% cotton	
ZGN01/466134-001	Oat/Shell
ZGN03/466134-003	Pumice/Cay
ZGN04/466134-004	Fir/Moss
ZGN06/466134-006	Iron/Mineral
ZGN07/466134-007	Raven/Graphite

Price category I continued on next page

* Color not available on Eames Sofa Compact.

- Maharam textiles are on assigned lead times [A](#).
- Fabric numbers are listed as Herman Miller fabric number/Maharam fabric number.

Maharam Textile Colors – Collection Seating

continued

Price Category I

continued

Appendix: Maharam Textile Colors – Collection Seating

Highfield - Maharam	
55" wide	
100% trevira cs polyester	
ZKF01/465957-141	141
ZKF02/465957-181	181
ZKF03/465957-191	191
ZKF04/465957-214	214
ZKF05/465957-231	231
ZKF06/465957-241	241
ZKF07/465957-371	371
ZKF08/465957-444	444
ZKF09/465957-454	454
ZKF10/465957-634	634
ZKF11/465957-651	651
ZKF12/465957-674	674
ZKF13/465957-724	724
ZKF14/465957-734	734
ZKF15/465957-744	744
ZKF16/465957-781	781
ZKF17/465957-834	834
ZKF18/465957-864	864

Study - Maharam	
54" wide	
73% solution-dyed acrylic	
27% solution-dyed polyester	
ZSY01/466269-001	001
ZSY02/466269-002	002
ZSY03/466269-003	003
ZSY04/466269-004	004
ZSY05/466269-005	005

Trio – Maharam	
54" wide	
50% cotton	
50% polyester	
ZTJ03/466088-003	Fatigue
ZTJ04/466088-004	Ore
ZTJ05/466088-005	Ink
ZTJ06/466088-006	Sable

Vases – Maharam	
54" wide	
62% cotton	
38% solution dyed	
post-industrial recycled nylon	
ZVS01/466164-001	Berry
ZVS02/466164-002	Citrus
ZVS03/466164-003	Sprout
ZVS04/466164-004	Goldenrod

Vineyard – Maharam	
54" wide	
39% solution-dyed	
post-industrial recycled nylon	
31% rayon	
30% cotton	
ZVY01/466133-001	Taro
ZVY02/466133-002	Arbor
ZVY03/466133-003	Cay
ZVY04/466133-004	Smoke
ZVY07/466133-007	Mahogany
ZVY08/466133-008	Pitch

Voyage – Maharam	
54" wide	
100% wool	
ZVG05/456801-005	Maize
ZVG12/456801-012	Stone
ZVG25/456801-025	Briar
ZVG26/456801-026	Harvest
ZVG27/456801-027	Currant
ZVG28/456801-028	Twilight
ZVG30/456801-030	Lake
ZVG33/456801-033	Clover
ZVG34/456801-034	Thicket
ZVG36/456801-036	Chinchilla
ZVG37/456801-037	Parcel

Price Category J

Coach Cloth – Maharam	
54" wide	
100% wool	
ZCL08/458950-008	Dusk
ZCL09/458950-009	Mars
ZCL15/458950-015	Savile
ZCL17/458950-017	Llama
ZCL19/458950-019	Graphite
ZCL20/458950-020	Bittersweet

Design 9297 – Maharam	
55" wide	
51% cotton	
45% rayon	
4% polyester	
ZDD02/465230-002	Olive
ZDD03/465230-003	Lake
ZDD04/465230-004	Ocher
ZDD05/465230-005	Scarlet
ZDD06/465230-006	Magenta
ZDD07/465230-007	Peacock
ZDD08/465230-008	Umbra

Fluted Silk – Maharam	
54" wide	
85% silk	
8% cotton	
7% acrylic	
ZFK02/465982-002	Tarnish
ZFK04/465982-004	Virtue
ZFK05/465982-005	Calm
ZFK06/465982-006	Flaxen
ZFK08/465982-008	Merry
ZFK10/465982-010	Noticed
ZFK11/465982-011	Moody
ZFK12/465982-012	Constant
ZFK13/465982-013	Seed
ZFK14/465982-014	Eternal
ZFK15/465982-015	Honor
ZFK16/465982-016	Winkle
ZFK17/465982-017	Cranach
ZFK19/465982-019	Faint
ZFK20/465982-020	Discreet

Melange Tweed – Maharam	
54" wide	
100% wool	
ZMT02/461190-002	Bramble
ZMT03/461190-003	Tweed
ZMT04/461190-004	Inca
ZMT05/461190-005	Saffron
ZMT06/461190-006	Summer

Mikado – Maharam	
54" wide	
79% cotton	
21% polyester	
V1901/459330-001	Umber
V1902/459330-002	Orange
V1903/459330-003	Ultramarine
V1904/459330-004	Pink
V1905/459330-005	Sepia

Soft Tweed – Maharam	
54" wide	
44% linen	
22% cotton	
20% acrylic	
8% bamboo viscose	
6% nylon	
ZSW01/466197-001	Sand
ZSW03/466197-003	Gold
ZSW05/466197-005	Steel
ZSW06/466197-006	Crimson
ZSW07/466197-007	Sepia

Tangram – Maharam	
54" wide	
68% polyester	
32% cotton	
ZTG01/466084-001	Tusk
ZTG03/466084-003	Lead
ZTG04/466084-004	Resin

Price category J continued on next page

- Maharam textiles are on assigned lead times [A](#).
- Fabric numbers are listed as Herman Miller fabric number/Maharam fabric number.

Maharam Textile Colors – Collection Seating

continued

Price Category J

continued

Telary – Maharam	
54" wide	
41% cotton	
33% post-consumer recycled polyester	
26% nylon	
ZTA01/466151-001	Bone
ZTA03/466151-003	Pebble
ZTA04/466151-004	Heron
ZTA05/466151-005	Voyage
ZTA06/466151-006	Spice
ZTA07/466151-007	Bison
ZTA08/466151-008	Molasses

Tokyo – Maharam	
59" wide	
67% wool	
24% polyester	
9% nylon	
ZT101/466247-112	112
ZT102/466247-132	132
ZT103/466247-182	182
ZT104/466247-242	242
ZT105/466247-252	252
ZT106/466247-352	352
ZT107/466247-432	432
ZT108/466247-632	632
ZT109/466247-652	652
ZT110/466247-682	682
ZT111/466247-692	692
ZT112/466247-732	732
ZT113/466247-782	782
ZT114/466247-952	952
ZT115/466247-982	982

Transport – Maharam	
56" wide	
48% rayon	
32% polyester	
20% linen	
ZTB01/466176-001	Breaker
ZTB02/466176-002	Grain
ZTB03/466176-003	Barley
ZTB04/466176-004	Mink
ZTB05/466176-005	Avenue

Waterborn - Maharam	
55" wide	
85% polyester	
15% polyurethane	
ZWB01/466097-123	123
ZWB02/466097-133	133
ZWB03/466097-153	153
ZWB04/466097-163	163
ZWB05/466097-183	183
ZWB06/466097-193	193
ZWB07/466097-203	203
ZWB08/466097-213	213
ZWB09/466097-223	223
ZWB10/466097-233	233
ZWB11/466097-243	243
ZWB12/466097-343	343
ZWB13/466097-353	353
ZWB14/466097-363	363
ZWB15/466097-373	373
ZWB16/466097-383	383
ZWB17/466097-443	443
ZWB18/466097-453	453
ZWB19/466097-463	463
ZWB20/466097-523	523
ZWB21/466097-543	543
ZWB22/466097-583	583
ZWB23/466097-603	603
ZWB24/466097-653	653
ZWB25/466097-663	663
ZWB26/466097-673	673
ZWB27/466097-693	693
ZWB28/466097-723	723
ZWB29/466097-743	743
ZWB30/466097-753	753
ZWB31/466097-773	773
ZWB32/466097-783	783
ZWB33/466097-793	793
ZWB34/466097-853	853
ZWB35/466097-883	883
ZWB36/466097-923	923
ZWB37/466097-933	933
ZWB38/466097-953	953
ZWB39/466097-973	973

Wool Rib – Maharam	
53" wide	
38% cotton	
29% acrylic	
19% wool	
7% alpaca	
7% nylon	
ZWR01/466198-001	Oat
ZWR03/466198-003	Turquoise
ZWR05/466198-005	Vermilion
ZWR06/466198-006	Magenta
ZWR07/466198-007	Garnet

Price Category K

Carapace - Maharam	
54" wide	
37% cotton	
37% post-consumer recycled polyester	
26% solution-dyed nylon	
ZC601/466261-001	001
ZC602/466261-002	002
ZC603/466261-003	003
ZC604/466261-004	004
ZC605/466261-005	005
ZC606/466261-006	006
ZC607/466261-007	007

Checker – Maharam	
55" wide	
77% cotton	
23% polyester	
V1201/459830-001	Emerald Light/ Ivory
V1204/459830-004	Ultramarine/ Emerald
V1206/459830-007	Sienna Dark/ Khaki
V1207/459830-008	Black/White
V1209/459830-009	Ultramarine/ Turquoise
V1210/459830-010	Blue Gray/ Emerald
V1211/459830-011	Olive/Pink
V1212/459830-012	Magenta/ Orange
V1213/459830-013	Crimson/ Orange

Checker Split – Maharam	
55" wide	
77% cotton	
23% polyester	
V1301/460290-01	Black/ White

Price category K continued on next page

- Maharam textiles are on assigned lead times A.
- Fabric numbers are listed as Herman Miller fabric number/Maharam fabric number.

Maharam Textile Colors – Collection Seating

continued

Appendix: Maharam Textile Colors – Collection Seating

Price Category K

continued

Dingbats – Maharam	
54" wide	
74% cotton	
26% nylon	
ZDB01/465994-001	Taupe
ZDB02/465994-002	Olive
ZDB03/465994-003	Indigo
ZDB04/465994-004	Earth
ZDB05/465994-005	Onyx

Double Triangles – Maharam	
55" wide	
77% cotton	
23% polyester	
V1401/459840-001	Black/White

Facets – Maharam	
55" wide	
77% cotton	
23% polyester	
V1501/459850-001	Black/White

Optik – Maharam	
55" wide	
76% cotton	
24% polyester	
ZQP01/459960-001	Sun Yellow/ Orange
ZQP03/459960-003	White/Black

Orakelblume – Maharam	
55" wide	
59% cotton	
41% rayon	
ZQR02/463900-002	Bark
ZQR03/463900-003	Mineral
ZQR04/463900-004	Document
ZQR06/463900-006	Loden
ZQR07/463900-007	Danube

Painted Stripe – Maharam	
55" wide	
75% cotton	
25% polyester	
ZPS01/465998-001	Rosin
ZPS02/465998-002	Tempera
ZPS04/465998-004	Variance

Pavement – Maharam	
54" wide	
51% rayon	
49% cotton	
V2002/459740-002	Birch
V2003/459740-003	Grey
V2004/459740-004	Blue
V2005/459740-005	Rust
V2007/459740-007	Loden
V2008/459740-008	Copper
V2009/459740-009	Brown

Trees – Maharam	
53" wide	
55% cotton	
28% nylon	
17% wool	
ZTE01/466195-001	Thistle
ZTE02/466195-002	Begonia
ZTE03/466195-003	Carmine
ZTE04/466195-004	Rye
ZTE05/466195-005	Conifer
ZTE06/466195-006	Rice
ZTE07/466195-007	Ocher
ZTE08/466195-008	Shadow
ZTE09/466195-009	Brush

Unisol – Maharam	
55" wide	
61% rayon	
21% polyester	
18% cotton	
ZUN01/461160-001	Black/ White

Price Category L

Alpaca Herringbone – Maharam	
56" wide	
35% polyester	
30% alpaca	
30% wool	
5% cotton	
ZAH01/465898-001	Ivory *
ZAH02/465898-002	Cinder
ZAH03/465898-003	Graphite
ZAH04/465898-004	Bark

* Color not available on Eames Executive Chairs, Upholstered Molded Plywood Chairs, and Sofa Compact.

Blumen – Maharam	
55" wide	
53% cotton	
47% rayon	
ZBN02/462870-002	Mustard
ZBN03/462870-003	Robin
ZBN05/462870-005	Espresso

Exaggerated Plaid – Maharam	
59" wide	
100% wool	
ZEP01/466039-001	Glen
ZEP02/466039-002	Brae
ZEP03/466039-003	Firth

Geometri – Maharam	
55" wide	
77% cotton	
23% polyester	
ZGM01/459970-001	Sun Yellow/ Orange
ZGM02/459970-002	Red/ Carmine
ZGM03/459970-003	Lilac/Blue
ZGM04/459970-004	White/Black

Jacobs Coat – Maharam	
54" wide	
92% wool	
8% nylon	
V1601/462270-001	Multicolored Bright
V1602/462270-002	Multicolored Neutral

Letters – Maharam	
55" wide	
80% wool	
20% nylon	
ZLT01/462560-001	Sun
ZLT02/462560-002	Tangerine
ZLT03/462560-003	Scarlet
ZLT04/462560-004	Violet
ZLT05/462560-005	Cobalt
ZLT06/462560-006	Aqua
ZLT07/462560-007	Emerald
ZLT08/462560-008	Taupe

Millerstripe – Maharam	
54" wide	
92% wool	
8% rayon	
V1701/462250-001	Multicolored Bright
V1702/462250-002	Multicolored Neutral

Price category L continued on next page

- Maharam textiles are on assigned lead times [A](#).
- Fabric numbers are listed as Herman Miller fabric number/Maharam fabric number.

Maharam Textile Colors – Collection Seating

continued

Price Category L

continued

Mohair Supreme - Maharam

54" wide
100% mohair
ZMS01/451801-023 Ruby
ZMS02/451801-072 Stonehenge
ZMS03/451801-094 Black
ZMS04/451801-095 Acorn
ZMS05/451801-097 Pebble
ZMS06/451801-112 Slate *
ZMS07/451801-113 Rich Chocolate *
ZMS08/451801-123 Moss
ZMS09/451801-126 Cayenne
ZMS10/451801-127 Cognac
ZMS11/451801-128 Tobacco
ZMS12/451801-129 Peat *
ZMS13/451801-130 Grass
ZMS14/451801-132 Cerulean
ZMS15/451801-133 Abyss
ZMS16/451801-134 Intrigue
ZMS17/451801-135 Pup
ZMS18/451801-136 Lupine *
ZMS19/451801-137 Selkie
ZMS20/451801-138 Mane
ZMS22/451801-140 Bosc
ZMS23/451801-141 Maple
ZMS24/451801-142 Canela
ZMS26/451801-144 Starlet
ZMS28/451801-146 League
ZMS29/451801-147 Armory *
ZMS30/451801-148 Steeple
ZMS31/451801-149 Arena

* Colors available on Eames Lounge Chair and Ottoman.

Monk's Wool – Maharam

54" wide
96% wool
4% nylon
ZMW01/457301-001 Tusk
ZMW03/457301-003 Slate
ZMW05/457301-005 Cherokee

Palio – Maharam

55" wide
61% cotton
39% solution dyed
post-industrial recycled nylon
V1101/466107-001 Earth
V1102/466107-002 Sky
V1103/466107-003 Sun
V1104/466107-004 Multi

Pebble Wool – Maharam

54" wide
90% wool
10% nylon
ZPW01/457401-001 Birch
ZPW10/457401-010 Cottage
ZPW13/457401-013 Eggshell
ZPW14/457401-014 Whisper
ZPW15/457401-015 Ceramic
ZPW16/457401-016 Seamist
ZPW17/457401-017 Armory
ZPW18/457401-018 Glaze
ZPW19/457401-019 Cordial

Pebble Wool Multi – Maharam

54" wide
97% wool
3% nylon
ZPM01/461200-001 Fawn
ZPM02/461200-002 Slate
ZPM05/461200-005 Moss
ZPM06/461200-006 Tabasco

Quatrefoil – Maharam

54" wide
75% cotton
25% nylon
V2101/459350-001 Silver
V2102/459350-002 Pink
V2103/459350-003 Crimson
V2104/459350-004 Emerald
V2105/459350-005 Violet

Repeat Classic Stripe – Maharam

55" wide
47% cotton
27% rayon
26% polyester
ZRS01/462170-001 Inca
ZRS02/462170-002 Pistachio
ZRS03/462170-003 Poppy
ZRS04/462170-004 Cadet
ZRS05/462170-005 Peacock

Repeat Dot Ring – Maharam

55" wide
75% cotton
25% polyester
ZRR01/462150-001 Gold
ZRR03/462150-003 Apple
ZRR04/462150-004 Pink
ZRR05/462150-005 Coral
ZRR07/462150-007 Gold
Reverse
ZRR09/462150-009 Apple
Reverse
ZRR10/462150-010 Pink
Reverse
ZRR11/462150-011 Coral
Reverse

Stripes - Maharam

56" wide
92% wool
8% nylon
ZSP01/463980-001 001
ZSP02/463980-002 002
ZSP03/463980-003 003
ZSP04/463980-004 004
ZSP05/463980-005 005
ZSP06/463980-006 006
ZSP07/463980-007 007
ZSP08/463980-008 008
ZSP09/463980-009 009
ZSP10/463980-010 010

The Story of My Life – Maharam

54" wide
83% rayon
17% polyester
ZTS02/464670-002 Hay
ZTS03/464670-003 Abyss
ZTS04/464670-004 Venetian

Toostripe – Maharam

54" wide
92% wool
8% nylon
V2201/462260-001 Orange Dark/ Crimson Dark
V2202/462260-002 Black/ Raw Umber
V2203/462260-003 Ochre Dark/ Sienna

Appendix: Maharam Textile Colors – Collection Seating

- Maharam textiles are on assigned lead times ^A.
- Fabric numbers are listed as Herman Miller fabric number/Maharam fabric number.

Maharam Textile Colors — Collection Seating

continued

Appendix: Maharam Textile Colors — Collection Seating

Price Category M

Names – Maharam	
55" wide	
73% cotton	
27% polyester	
V1801/462510-001	Crimson On White
V1802/462510-002	Ultramarine On White
V1803/462510-003	Black On White
Ottoman Stripe – Maharam	
58" wide	
92% wool	
8% nylon	
ZQN01/466142-001	Brass
ZQN02/466142-002	Cocoa
ZQN03/466142-003	Dusk
ZQN04/466142-004	Pistachio
ZQN05/466142-005	Apricot
Pressed Plaid – Maharam	
54" wide	
100% wool	
T1101/466181-001	001
T1102/466181-002	002
T1103/466181-003	003
T1104/466181-004	004
T1105/466181-005	005
T1106/466181-006	006
Wool Striae – Maharam	
54" wide	
100% wool	
T1201/466184-001	001
T1202/466184-002	002
T1203/466184-003	003
T1204/466184-004	004
T1205/466184-005	005
T1206/466184-006	006
T1207/466184-007	007

Price Category N

Alpaca Epinglé - Maharam	
55" wide	
100% alpaca	
ZAE02/465902-002	Slate
ZAE06/465902-006	Graphite
Alpaca Velvet - Maharam	
54" wide	
100% alpaca	
ZAV01/465901-001	Alpine
ZAV04/465901-004	Ash
ZAV05/465901-005	Mahogany
ZAV06/465901-006	Charcoal
ZAV07/465901-007	Pewter
Bespoke Stripe - Maharam	
56" wide	
100% wool	
ZBP01/463540-001	Navy
ZBP02/463540-002	Tobacco
ZBP03/463540-003	Chocolate
ZBP04/463540-004	Charcoal
ZBP05/463540-005	Black
ZBP06/463540-006	Pewter
Herringbone Stripe - Maharam	
57" wide	
100% wool	
ZKP01/465945-001	Granite
ZKP02/465945-002	Espresso
ZKP03/465945-003	Graphite
ZKP04/465945-004	Indigo
ZKP05/465945-005	Raven

Point – Maharam	
53" wide	
97% rayon	
3% nylon	
ZPT01/466090-001	Ivory and Ember
ZPT02/466090-002	Black and Coral
ZPT03/466090-003	Slate and Khaki
ZPT04/466090-004	Black and Cobalt
ZPT05/466090-005	Black and Khaki
ZPT06/466090-006	Slate and Mandarin
ZPT07/466090-007	Slate and Black
ZPT08/466090-008	Brick and Greige
ZPT09/466090-009	Gold and Black
ZPT10/466090-010	Greige and Peat
ZPT11/466090-011	Peat and Mandarin
ZPT12/466090-012	Crimson
ZPT13/466090-013	Mandarin
ZPT14/466090-014	Citrus
ZPT15/466090-015	Grass
ZPT16/466090-016	Cyan
ZPT17/466090-017	Cobalt
Wool Velvet - Maharam	
54" wide	
100% wool	
ZWV01/466120-001	Plush
ZWV02/466120-002	Subdue
ZWV03/466120-003	Flagstone
ZWV04/466120-004	Nori
ZWV06/466120-006	Bridle
ZWV07/466120-007	Covert
ZWV08/466120-008	Gateway

Price Category O

Bavaria Stripe – Maharam	
55" wide	
77% polyester	
23% cotton	
ZBS02/466161-002	Unique

- Maharam textiles are on assigned lead times [A](#).
- Fabric numbers are listed as Herman Miller fabric number/Maharam fabric number.

Maharam Textile Colors — Collection Seating

continued

Price Category P

Big Stripe – Maharam

55" wide
92% wool
8% nylon
ZBR01/466174-001 Peacock
ZBR02/466174-002 Spring
ZBR03/466174-003 Umber
ZBR04/466174-004 Poppy
ZBR05/466174-005 Cobalt

Brushed Merino – Maharam

54" wide
90% merino wool
10% cashmere
ZBJ01/465983-001 Non
ZBJ02/465983-002 Feather
ZBJ03/465983-003 Doe
ZBJ04/465983-004 Wither
ZBJ05/465983-005 Nook
ZBJ06/465983-006 Senf
ZBJ07/465983-007 Cheshire
ZBJ08/465983-008 Cadmium
ZBJ09/465983-009 Hewn
ZBJ11/465983-011 Ardenne
ZBJ12/465983-012 Dandy
ZBJ13/465983-013 Sprig

Epinglé Stripe - Maharam

50" wide
100% cotton
ZES01/466007-001 Caramel
ZES02/466007-002 Lead
ZES03/466007-003 Violet
ZES04/466007-004 Mahogany
ZES05/466007-005 Olive

Layers Garden – Maharam

52" wide
96% wool
3% nylon
1% polyester
ZLY01/465916-001 Ivy/Bronze
ZLY02/465916-002 Putty/ Turquoise
ZLY03/465916-003 Pewter/ White
ZLY04/465916-004 Chocolate/ Lilac
ZLY05/465916-005 Peat/Copper

Layers Park – Maharam

52" wide
95% wool
3% nylon
2% polyester
ZLP01/465918-001 Ash/Snow
ZLP02/465918-002 Mineral/Sky
ZLP03/465918-003 Poppy/ Melon
ZLP04/465918-004 Indigo/ White
ZLP05/465918-005 Earth/Cobalt

Layers Vineyard Large – Maharam

52" wide
95% wool
3% nylon
2% polyester
ZLV01/465921-001 Ivory/Onyx
ZLV02/465921-002 Slate/Azure
ZLV03/465921-003 Loden/Sky
ZLV04/465921-004 Taupe/ Crimson
ZLV05/465921-005 Black/ Mahogany

Layers Vineyard Small – Maharam

52" wide
92% wool
5% polyester
3% nylon
ZLS01/465920-001 Ochre/White
ZLS02/465920-002 Scarlet/ Peony
ZLS03/465920-003 Taupe/Violet
ZLS04/465920-004 Jade/ Turquoise
ZLS05/465920-005 Ginger/Rose

Price Category Q

A Band Apart – Maharam

56" wide
75% polyester
25% cotton
ZAB01/466000-001 Unique

Aftermath – Maharam

55" wide
75% polyester
25% cotton
ZAM01/466169-001 Unique

Agency – Maharam

55" wide
75% polyester
25% cotton
ZAG02/466001-002 002
ZAG04/466001-004 004
ZAG05/466001-005 005
ZAG06/466001-006 006
ZAG07/466001-007 007
ZAG08/466001-008 008

Brushed Camel – Maharam

58" wide
100% baby camel hair
ZBA01/465977-001 Albino
ZBA02/465977-002 Natural

Deconstructed Rose – Maharam

55" wide
65% polyester
32% cotton
3% rayon
ZDS01/466086-001 Golden
ZDS02/466086-002 Vivid
ZDS03/466086-003 Earthen

Price category Q continued on next page

- Maharam textiles are on assigned lead times [A](#).
- Fabric numbers are listed as Herman Miller fabric number/Maharam fabric number.

Maharam Textile Colors — Collection Seating

continued

Price Category Q

continued

Massive Paisley – Maharam

57" wide

76% polyester

24% cotton

ZMV01/465915-001 Ash

ZMV03/465915-003 Cardinal

ZMV06/465915-006 Night

The Firm – Maharam

56" wide

75% polyester

25% cotton

ZTF03/465999-003 Unique

Price Category R

Borders – Maharam

53" wide

98% wool

2% polyester

ZBB01/466082-001 Natural

ZBB02/466082-002 Greige

ZBB03/466082-003 Charcoal

ZBB04/466082-004 Walnut

Compartment – Maharam

50" wide

100% cotton

ZCA01/466154-001 001

ZCA02/466154-002 002

ZCA03/466154-003 003

Price Category S

Bavaria – Maharam

55" wide

73% polyester

27% cotton

ZBV01/466162-001 Unique

Price Category T

Hours – Maharam

56" wide

95% wool

3% nylon

2% rayon

ZKR01/466092-001 Day

ZKR02/466092-002 Night

- Maharam textiles are on assigned lead times [A](#).
- Fabric numbers are listed as Herman Miller fabric number/Maharam fabric number.

Maharam Textile Colors — Collection Seating

continued

Price Category U

Layers Garden Double – Maharam	
52" wide	
96% wool	
3% nylon	
1% polyester	
ZLD01/465917-001	Ash/ Quartz/ Grass
ZLD02/465917-002	Earth/ Chocolate/ Coral
ZLD03/465917-003	Black/ Navy/ Cobalt

Layers Park Double – Maharam	
52" wide	
96% wool	
3% nylon	
1% polyester	
ZLB01/465919-001	Mineral/ Taupe/ Lemon
ZLB02/465919-002	Sienna/ Ginger/ Rose
ZLB03/465919-003	Black/ Peat/ Copper

Price Category V-W

No fabrics available at this time.

Price Category X

Eden – Maharam	
56" wide	
83% polyester	
17% cotton	
ZED01/466258-001	001
ZED02/466258-002	002
ZED03/466258-003	003
ZED04/466258-004	004
ZED05/466258-005	005

Foliage – Maharam	
56" wide	
75% polyester	
25% cotton	
ZFG01/466257-001	001
ZFG02/466257-002	002
ZFG03/466257-003	003
ZFG04/466257-004	004
ZFG05/466257-005	005

Price Category Y

Industry – Maharam	
55" wide	
80% polyester	
20% cotton	
ZND01/466255-001	001

- Maharam textiles are on assigned lead times [A](#).
- Fabric numbers are listed as Herman Miller fabric number/Maharam fabric number.

Maharam Textile Colors — Collection Seating

continued

Price Category Z

No fabrics available at this time.

Leather Price Category 10M

Pace Leather — Maharam

approx. 50 sq. ft. per hide

100% leather

ZPA01/700011-001	Whisper
ZPA02/700011-002	Shy
ZPA03/700011-003	Granite
ZPA04/700011-004	Misty
ZPA05/700011-005	Studio
ZPA06/700011-006	Throne
ZPA07/700011-007	Proper
ZPA08/700011-008	Huron
ZPA09/700011-009	Darkroom
ZPA10/700011-010	Bark
ZPA11/700011-011	Raspberry
ZPA12/700011-012	Sangria
ZPA13/700011-013	Admiral
ZPA14/700011-014	Juniper
ZPA15/700011-015	Regal
ZPA16/700011-016	Vapor
ZPA17/700011-017	Valley
ZPA18/700011-018	Bushel
ZPA19/700011-019	Heirloom
ZPA20/700011-020	Palomino
ZPA21/700011-021	Bamboo
ZPA22/700011-022	Saffron
ZPA23/700011-023	Tearose
ZPA24/700011-024	Canyon
ZPA25/700011-025	Bistro
ZPA26/700011-026	Toffee
ZPA27/700011-027	Rodeo
ZPA28/700011-028	Mudslide
ZPA29/700011-029	Greige
ZPA30/700011-030	Reflection
ZPA31/700011-031	Pure
ZPA32/700011-032	Desert
ZPA33/700011-033	Griffin
ZPA34/700011-034	Urbane
ZPA35/700011-035	Woodrose

- Maharam textiles are on assigned lead times [A](#).
- Fabric numbers are listed as Herman Miller fabric number/Maharam fabric number.

For more information about our products and services or to see a list of dealers, please visit us at HermanMiller.com or call (800) 851 1196.

© 2018 Herman Miller, Inc., Zeeland, Michigan

® **HermanMiller**, 3D Intelligent, AO, Action Office, Aeron, ArcSpan, Aside, Avall, Avive, Bubble Lamps, Canvas Office Landscape, Caper, Celle, Co/Struc, Daisyone, Distil, Eames, Eco-Dematerialized, Embody, Envelop, Equa 2, Ergon 3, Ethospace, Exclave, Fine-Tune, FlexFront, Flo, Formcoat, Formwork, Ground Cloth, Herman Miller for the Home, Herman Miller for Healthcare, Intersect, Kinemat, Lapjack, Layout Studio, Lifework, Limerick, Live Unframed, Living Office, Locale, Maharam, Meridian, Mirra, Passage, Pellicle, Perspectives, PostureFit, Public Office Landscape, Resolve, Rodney, Sayl, Setu, Thrive, Tu, Wishbone, and Y-Tower are among the registered trademarks of Herman Miller, Inc., and its owned subsidiaries.

™ 8Z Pellicle, About Face, AireWeave, Albert, Backfit, Bubbletack, Burdick Group, Butterfly Back, Celeste, Cellular Suspension, Clam, Compass, Connect, Cosm, Cubert, DOT, Duracare, Durawrap, Eames Soft Pad, EnhancedAccess, Everywhere, Flex-Edge, Flute, Harmonic, Herman Miller Select, Hopsak 2, Intent, Iota, Jaw, Keyless Entry, Keyn Chair Group by Herman Miller, Latitude, Lino, Locale, Logic Mini, Logic Power Access Solutions, Live OS, Loop, Lyris, Lyris 2, Made-to-Measure Storage, Metaform Portfolio, Mora, Motia, Multiscrim, Nelson, Nevi, Pari, Pixelated Support, Plex, PostureFit SL, Prospect, Q, Renew, Sense, Soft Pad, Stackable, Stackable Storage, Striad, Swoop, Tone, TriFlex, Twist, Ubi, Verus and Wireframe are among the trademarks of Herman Miller, Inc., and its owned subsidiaries.

SM Herman Miller Options is among the service marks of Herman Miller, Inc.

Alexander Girard® is a registered trademark of The Alexander Girard Estate.

Chemsurf® is a registered trademark of Wilsonart International.

Corian® is a registered trademark of E. I. du Pont de Nemours and Company Corporation.

Crypton® is a registered trademark of Crypton, Inc.

DACRON® is a registered trademark of INVISTA S.a r.l.

Decora® is a registered trademark of Leviton Manufacturing Co., Inc.

Edelman® Leather is a registered trademark of Edelman Leather, Inc.

FENIX NTM® is a registered trademark of Arpa Industriale S.p.A.

FLEXNET™ is a trademark of Milliken & Company.

Floor Saver Glide® is a registered trademark of Carpin Manufacturing, Inc.

Geiger® is a registered trademark, and Bumper™, Saiba™, and Ward Bennett™ are trademarks, of Geiger International.

Goetz™ is a trademark of Mark W. Goetz.

Hang-It-All® is a registered trademark of Lucia Eames Demetrios, d.b.a. Eames Office.

Holophane® is a registered trademark of Holophane.

Ingeo™ is a trademark of Cargill Dow LLC.

iPad® is a registered trademark of Apple, Inc.

LifeSize® is a registered trademark of LifeSize Communications, Inc.

Magis®, Bombo®, and Me Too® are registered trademarks of Magis S.p.A.

Microsoft® and Natural® Keyboard are registered trademarks of Microsoft Corporation.

Noguchi® and the Noguchi table configuration (trade dress) are registered trademarks, and Rudder Table™ is a trademark, of The Isamu Noguchi Foundation and Garden Museum.

Place Textiles® is a registered trademark of Place Textiles.

SuperSeat™ is a trademark of Dahti Seating, a division of ITW.