



GSA prices effective April 2, 2018
(based on February 6, 2017, commercial price list)
Published April 2018

Workspaces

Locale®

General Services Administration Federal Supply Service Authorized Federal Supply Schedule Price List

Online access to contract ordering information, terms and conditions, up-to-date pricing, and the option to create an electronic delivery order is available through GSA Advantage!, a menu-driven database system. The Internet address for GSA Advantage! is www.gsaadvantage.gov.

Office Furniture
FSC Group 71, Part 1
Contract Number: GS-03F-036DA
Contract Period: December 21, 2015—December 20, 2020

Herman Miller, Inc.
855 East Main Avenue
Zeeland, Michigan 49464
(616) 654 3000 Phone
(616) 654 8278 Fax
www.HermanMiller.com/government

Business Size: Large

Contract Information

1a. Special Item Numbers (SIN)

SIN 71-1

Packaged Offices

SIN 711-1

Furniture Systems

SIN 711-2

Computer Furniture

SIN 711-3

Filing and Storage Cabinets

SIN 711-11

Tables and Accessories

SIN 711-16

Upholstered Seating

SIN 711-18

Multi-Purpose Seating

SIN 711-91

Project Management

Services under this SIN may be used only in conjunction with the purchase of new furniture. Please contact your local Herman Miller representative to discuss the available labor categories (listed below). The hourly rates listed are "Not To Exceed" or "NTE" values.

Furniture Project Manager: \$64.75 per hour

Furniture Project Coordinator: \$49.00 per hour

Build-Out Project Manager: \$80.00 per hour

SIN 711-93

Reconfiguration and Relocation Services

Reconfiguration and Relocation Services will be provided by Herman Miller, Inc., or its participating dealer based on a fee not to exceed \$55 per hour, which applies to services totaling \$150,000 (per SIN) and below only. Services above \$150,000 shall be negotiated on a case-by-case basis. This SIN may only be used with the purchase of new product under SIN 711-1.

See * Additional Notes for Installation & Reconfiguration and Relocation Services.

SIN 711-94

Design/Layout

Design service will be provided by Herman Miller, Inc., or its participating dealer based on a fee not to exceed \$65 per hour.

SIN 711-95

Installation Services

Installation Services will be provided by Herman Miller, Inc., or its participating dealer based on a fee not to exceed \$55 per hour (\$82.50 per hour for after-hours Installation), which applies to services totaling \$150,000 (per SIN) and below only. Services above \$150,000 shall be negotiated on a case-by-case basis.

See * Additional Notes for Installation & Reconfiguration and Relocation Services.

* Additional Notes for Installation & Reconfiguration and Relocation Services:

FOB Destination (Drop Ship): Price includes product delivery to the site, brought to the tailgate of the truck. The purchaser is responsible for unloading.

Prices effective up to the maximum order by SIN only. Above the MO, pricing shall be negotiated on a case-by-case basis between the client and local dealer.

Standard Services are Subject to the Following Conditions:

Installation will be performed during normal weekday working hours.

Adequate facilities for delivery, unloading, moving and staging/ storing the product during the installation process shall be provided.

Service work will not be hindered by other trades.

Electric, heat, and adequate elevator service will be furnished without charge.

The immediate installation area shall be complete and free of debris including the carpet/flooring before installation commences.

Any work requiring a licensed electrician is the responsibility of the buyer.

Additional Charges May Apply For:

Major Metro Markets and any non-ground floor installation.

Major Metro Markets include large population centers and urban environments.

Installation in a clinical/medical environment.

Special restrictions or limits established by local laws, ordinances or the directions of the buyer, including but not limited to restrictions on transportations of materials, street access to the job site and/or dock facilities.

Installations outside of a 50 mile radius of the servicing dealer.

Local Prevailing Wage and/or Union Labor Rates.

Any additional charges shall be quoted by the dealer and approved by the buyer prior to performance of the work.

SIN 711-96

Leasing

Contact Herman Miller participating government dealer for current leasing information.

SIN 711-99

New Product Introductions

Contract Information

continued

1b. Lowest Priced Model

SIN 711-1:	G9999.B	\$7
SIN 711-2:	6-5-D	\$35
SIN 711-3:	9M10018	\$14
SIN 711-11:	DT9A.	\$36
SIN 711-16:	OA401	\$41
SIN 711-18:	AS90598	\$46
SIN 711-99:	R1366	\$27

1c. Not applicable

2. Maximum Order

SIN 711-1, SIN 711-2
\$500,000 net product value

SIN 711-3, SIN 711-11
\$300,000 net product value

SIN 711-16, SIN 711-18
\$200,000 net product value

SIN 711-93
\$150,000

SIN 711-94
\$150,000

SIN 711-95
\$150,000

SIN 711-96
\$500,000 net product value

SIN 711-99
\$50,000 net product value

3. Minimum Order

\$100 net

4. Geographic Coverage

Continental U.S.

Orders for Alaska, Hawaii, and Puerto Rico will be shipped F.O.B. inland carrier point of exportation.

5. Point of Production

Zeeland, Ottawa County, Michigan
Spring Lake, Ottawa County, Michigan

6. Pricing

Prices shown are list. Discounts include Industrial Funding Fee.

SIN 711-1

Product: Selected Action Office 1, Action Office 2, C-Style Overhead Storage, Ethospace System, Quadrant Pedestals, Supplemental Products, Tu Pedestals and Pedastools, and approved Herman Miller Options Products.

Standard Lead Time	Single Order Net Purchase	Discount From list
	\$100 - 250,000	73.8%
	\$250,001 - 500,000	76.8%

SIN 711-1

Product: Selected Renew™ Tables, Renew Link and approved Herman Miller Options Products

Standard Lead Time	Single Order Net Purchase	Discount From List
	\$100 - 500,000	72.8%

SIN 711-1

Product: Selected Motia™ Tables, and approved Herman Miller Options Products

Standard Lead Time	Single Order Net Purchase	Discount From List
	\$100 - 500,000	73.8%

SIN 711-1

Product: Tu Wood Pedestals and approved Herman Miller Options Products

Standard Lead Time	Single Order Net Purchase	Discount From List
	\$100 - 300,000	74.3%

SIN 711-1

Product: Selected Canvas Office Landscape and approved Herman Miller Options Products

Standard Lead Time	Single Order Net Purchase	Discount From List
	\$100 - 500,000	74.8%

SIN 711-1

Product: Selected Layout Studio® and approved Herman Miller Options Products

Standard Lead Time	Single Order Net Purchase	Discount From List
	\$100 - 500,000	60.7%

SIN 711-1

Product: Selected Meridian Pedestals, Meridian Pedastools, and approved Herman Miller Options Products

Standard Lead Time	Single Order Net Purchase	Discount From List
	\$100 - 500,000	64.2%

Contract Information

continued

SIN 711-1

Product: Selected Thrive Portfolio and approved Herman Miller Options Products

Standard Lead Time	Single Order Net Purchase	Discount From List
	\$100 - 250,000	62%
	\$250,001 - 500,000	66.4%

SIN 711-2

Product: Passage Desking System and approved Herman Miller Options Products

Standard Lead Time	Single Order Net Purchase	Discount From List
	\$100 - 500,000	56.7%

SIN 711-2

Product: 5000 Series Furniture and approved Herman Miller Options Products

Standard Lead Time	Single Order Net Purchase	Discount From List
	\$100 - 500,000	58.7%

SIN 711-3

Product: Meridian Laterals, Verticals, Towers, and Storage products and approved Herman Miller Options Products

Standard Lead Time	Single Order Net Purchase	Discount From List Laterals	Verticals	Towers & Storage
	\$100 - 300,000	67.3%	66.3%	62.7%

SIN 711-3

Product: Tu Lateral Files, Tu Storage, Tu Towers, Tu Wood Cases, Tu Wood Cubbies, Tu Wood Credenzas, Tu Wood Towers, and approved Herman Miller Options Products

Standard Lead Time	Single Order Net Purchase	Discount From List
	\$100 - 300,000	74.3%

SIN 711-11

Product: Selected Tables and Accessories and approved Herman Miller Options Products

Standard Lead Time	Single Order Net Purchase	Discount From List
Avive® Tables	\$100 - 250,000	72.8%
	\$250,001 - 500,000	74.8%
Herman Miller Eames® Tables	\$100 - 250,000	73.6%
	\$250,001 - 300,000	77.6%
Everywhere™ Tables	\$100 - 300,000	72.8%

SIN 711-16

Product: Swoop upholstered seating products and approved Herman Miller Options Products

Standard Lead Time	Single Order Net Purchase	Discount From List
Swoop™	\$100 - 200,000	60.7%

SIN 711-18

Product: Selected Seating and approved Herman Miller Options Products

Standard Lead Time	Single Order Net Purchase	Discount From List
Aeron® (Classic and New)	\$100 - 200,000	64.5%
Aside®	\$100 - 200,000	64.2%
Caper®	\$100 - 200,000	61.5%
Celle®	\$100 - 200,000	59.7%
Embody®	\$100 - 200,000	59.7%
Equa 2®	\$100 - 200,000	65.8%
Ergon 3®	\$100 - 200,000	68.8%
Keyn	\$100 - 200,000	57.7%
Mirra® 2	\$100 - 200,000	61.7%
Setu®	\$100 - 200,000	59.7%
Sayl®	\$100 - 200,000	62.2%
Verus™	\$100 - 200,000	63.7%

SIN 711-99

Product: Selected Exclave™, Locale®, Public Office Landscape®, Resolve® System, and approved Herman Miller Options Products

Standard Lead Time	Single Order Net Purchase	Discount From List
Exclave	\$100 - 50,000	61.7%
Locale	\$100 - 50,000	63.7%
Public Office Landscape	\$100 - 50,000	61.7%
Resolve System	\$100 - 50,000	69.8%
Intent Solution	\$100 - 50,000	58.7%

7. Quantity Discounts

Reference item #6.

8. Payment Term

Net 30 days

9. Government Commercial Credit Card

- Government commercial credit cards are accepted below the micropurchase threshold.
- Government commercial credit cards are accepted above the micropurchase threshold.

10. Foreign Items

None

11. Time of Delivery

- 90 day ARO
- Expedited delivery: Items listed in the 10-Day section of the catalogs are available for expedited delivery.
- Overnight/2-day delivery: Select items may be available for overnight or 2-day delivery. Contact Herman Miller or a participating dealer for availability and rates.
- Urgent requirements: Agencies may contact contractor or participating dealer to request faster delivery.

Contract Information

continued

12. F.O.B.

F.O.B. destination except Alaska, Hawaii, and Puerto Rico, which will be shipped F.O.B. inland carrier point of exportation.

13. Ordering Address

- a. Herman Miller, Inc.,
Government Customer Care 0161
855 East Main Avenue
Zeeland MI 49464.
- b. For supplies and services, the ordering procedures information on Blanket Purchase Agreements (BPA's) and a sample BPA can be found at the GSA/FSS Schedule homepage (www.fss.gsa.gov/schedules).

14. Payment Address.

Herman Miller, Inc.
22764 Network Place
Chicago, IL 60673-1227

15. Warranty

Herman Miller, Inc., commercial warranty applies.

16. Export Packing Charge

Prices supplied on request.

17. Terms and Conditions of Government Purchase Card Acceptance

(any thresholds above the micropurchase level)
None.

18. Rental Maintenance and Repair Terms

Not applicable

19. Terms and Conditions of Installation

Installation Services will be provided by Herman Miller, Inc., or its participating dealer based on a fee not to exceed \$55 per hour (\$82.50 per hour for after-hours Installation), which applies to services totaling \$150,000 (per SIN) and below only. Services above \$150,000 shall be negotiated on a case-by-case basis.

Additional Notes for Installation & Reconfiguration and Relocation Services:

FOB Destination (Drop Ship): Price includes product delivery to the site, brought to the tailgate of the truck. The purchaser is responsible for unloading.

Prices effective up to the maximum order by SIN only. Above the MO, pricing shall be negotiated on a case-by-case basis between the client and local dealer.

Standard Services are Subject to the Following Conditions:

Installation will be performed during normal weekday working hours.

Adequate facilities for delivery, unloading, moving and staging/storing the product during the installation process shall be provided.

Service work will not be hindered by other trades.

Electric, heat, and adequate elevator service will be furnished without charge.

The immediate installation area shall be complete and free of debris including the carpet/flooring before installation commences.

Any work requiring a licensed electrician is the responsibility of the buyer.

Additional Charges May Apply For:

Major Metro Markets and any non-ground floor installation.

Major Metro Markets include large population centers and urban environments.

Installation in a clinical/medical environment.

Special restrictions or limits established by local laws, ordinances or the directions of the buyer, including but not limited to restrictions on transportations of materials, street access to the job site and/or dock facilities.

Installations outside of a 50 mile radius of the servicing dealer.

Local Prevailing Wage and/or Union Labor Rates.

Any additional charges shall be quoted by the dealer and approved by the buyer prior to performance of the work.

20. Terms and Conditions of Repair Parts

Not applicable

21. Service and Distribution Points

For service and distribution points nearest you, call (800) 851 1196.

22. Participating Dealers

Access Herman Miller web site for current list of participating dealers: www.HermanMiller.com/government.

23. Preventive Maintenance

Not applicable

24a. Special Attributes.

2018

For the 11th consecutive year, Herman Miller received a perfect score on the Corporate Equality Index and we were designated as Best Place to Work for LGBT equality. This report evaluates U.S. companies in terms of diversity, particularly their LGBT-related policies and practices.

Contract Information

continued

2017

Herman Miller was named the 2017 “Corporation of the Year” in the consumer products sector by the Michigan Minority Supplier Development Council (MMSDC).

Herman Miller has received a 2017 SEAL (Sustainability, Environmental Achievement and Leadership) Business Sustainability Award.

Herman Miller has earned the 4 Star Diversity Visionary Award. This award celebrates the diversity, equality, and inclusion work of Herman Miller. The award is presented at the annual Diversity Equity Inclusion Summit, held by the Grand Rapids Area Chamber of Commerce.

Herman Miller named one of the Best and Brightest in Wellness for the fifth year in a row.

Working Mother magazine has recognized Herman Miller as one of the 2017 Working Mother 100 Best Companies.

Herman Miller earned our tenth consecutive perfect score in Human Rights Campaign (HRC) Foundation’s 2017 Corporate Equality Index.

As one of the top-scoring companies in our industry for the thirteenth consecutive year, Herman Miller has qualified for inclusion in RobecoSAM’s 2017 Sustainability Yearbook and received the Bronze Class distinction for our excellent economic, environmental, and social sustainability performance.

Herman Miller has once again earned the WorldatWork Seal of Distinction, a unique standard of excellence in work-life effectiveness that shows we provide a distinct, mutually beneficial workplace experience.

2016

Herman Miller was recognized as the Business of the Year at the Annual Meeting of the West Michigan Environmental Action Council (WMEAC). This award goes to the business with the greatest depth and breadth of support, unwavering dedication to environmental action in West Michigan, and a strong corporate commitment to environmental advocacy.

The 101 Best and Brightest Sustainable Companies once again (fifth consecutive year) recognized Herman Miller as an organization in Michigan (and for the first time, in the nation) that exhibits leadership and innovation in its approach to sustainability.

Herman Miller has been recognized by the Michigan Minority Supplier Development Council (MMSDC), as a “Corporation of the Year”, and we also received a “2016 Excellence in Supplier Diversity Award” from the Great Lakes Women’s Business Council. Additionally, we are the only West Michigan company this year to receive an “Ambassadors Championing Excellence” Award from the MMSDC.

Plex Lounge Furniture from Herman Miller receives #MetropolisLikes award at NeoCon 2016.

Plex Lounge Furniture from Herman Miller receives Interior Design HiP Award for Workplace Seating/Lounge at NeoCon 2016.

Spot Stools from Herman Miller Collection receive Interior Design HiP Award for Hospitality Seating at NeoCon 2016.

Herman Miller has been named a 2020 Women on Boards Winning Company. Companies selected for this recognition are considered champions of board diversity as 20 percent or more of their board seats are occupied by women.

Herman Miller selected for inclusion in the 2016 RobecoSAM Sustainability Yearbook for twelfth consecutive year.

Herman Miller again earns the WorldatWork Work-Life 2016 Seal of Distinction. This award identifies organizations that focus on programs that promote work-life balance and overall well-being.

2015

Herman Miller earns ninth consecutive perfect score in Human Rights Campaign (HRC) Foundation’s 2016 Corporate Equality Index and we were designated as Best Place to Work for LGBT equality.

This is the fourth consecutive year that Herman Miller was named one of Michigan’s Best and Brightest Sustainable Companies.

Herman Miller has received the Best and Brightest in Wellness Award for the third year in a row. This program is an innovative initiative that recognizes and celebrates quality and excellence in health awareness.

Herman Miller received the Forest Stewardship Council (FSC) Leadership Award for longstanding commitment to manufacturing with wood sourced from responsibly managed forests, which reduces environmental impacts by protecting against deforestation and forest degradation.

Herman Miller accepted its second Excellence in Reusable Packaging Award from the Reusable Packaging Association.

Herman Miller has once again been recognized for its commitment to best-in-class economic, environmental, and societal sustainability, earning a spot on the prestigious Dow Jones Sustainability Index (DJSI) for the twelfth consecutive year. We are the only contract furniture company recognized globally for its corporate sustainability leadership.

Herman Miller selected for inclusion in the 2015 RobecoSAM Sustainability Yearbook; awarded Bronze Class distinction for excellent sustainability performance for the second consecutive year.

Contract Information

continued

Herman Miller received a Michigan Business Pollution Prevention (MBP₃) Certificate – a recognition given by the Michigan Department of Environmental Quality (MDEQ) to organizations committed to environmental stewardship, conservation, and sustainable operations. This basic partnership with the MDEQ, which we've maintained since 1998, makes us eligible for our Clean Corporate Citizen (CCC) status that began in 2004 and our Environmental Leader status, which we received for the first time this past year.

MedAssets named Herman Miller Healthcare as Platinum Suppliers. MedAssets, a large group purchasing organization, helps providers enhance operational and financial performance so they can sustainably serve the needs of their community.

Herman Miller honored with five of 20 spots for the Michigan Environmental Leaders Award by the Michigan Department of Environmental Quality for our outstanding, voluntary environmental stewardship.

Renew Sit-to-Stand tables recognized on Record Products 2014 list by Architectural Record.

Herman Miller was again awarded a perfect score in the 2015 Corporate Equality Index. This is the eighth consecutive year we received a perfect score.

2014

Herman Miller has received the Best and Brightest in Wellness Award for the second year in a row. This program is an innovative initiative that recognizes and celebrates quality and excellence in health awareness.

Herman Miller's Locale wins International Design Excellence Awards (IDEA) Gold in the Office & Productivity category.

Herman Miller achieves eleventh consecutive listing on Dow Jones Sustainability World Index, an international stock portfolio that evaluates the annual performance of the world's largest 2500 companies using economic, environmental, and social criteria, known as the "triple bottom line" of sustainability.

2013

Herman Miller achieves tenth consecutive listing on Dow Jones Sustainability World Index.

Herman Miller has received the Best and Brightest in Wellness Award. This program is an innovative initiative that recognizes and celebrates quality and excellence in health awareness.

Herman Miller Earns Perfect Score on the Corporate Equality Index. We are one of only 303 major U.S. businesses to receive a perfect score in 2013, an achievement we have now obtained seven years in a row.

Herman Miller is listed in Forbes Magazine inaugural "Platinum List" of America's 400 best managed, large companies.

For the second consecutive year, Herman Miller is honored as one of West Michigan's "101 Best and Brightest Sustainable Companies".

2012

Herman Miller accepted its first Excellence in Reusable Packaging Award from the Reusable Packaging Association.

Herman Miller is named "Corporation of the Year" in the commercial products sector by the Michigan Minority Supplier Development Council.

In July 2012 Herman Miller was inducted into the Made in the USA Hall of Fame. Herman Miller is one of only 20 companies across the nation to receive this distinction.

Herman Miller achieves ninth consecutive listing on Dow Jones Sustainability World Index.

Herman Miller is honored as one of West Michigan's 101 Best and Brightest Sustainable Companies.

The Sustainable Asset Management (SAM) group selected Herman Miller for inclusion in "The Sustainability Yearbook 2012" and has awarded Herman Miller both the "SAM Sector Leader" and "SAM Sector Mover" distinctions.

Herman Miller was named one of 16 Section Leaders on Climate Counts 2011-2012 Scorecard Report, making us the industry leader for Home and office Furnishings.

SGS International Certification Services, Inc., recognizes Herman Miller's manufacturing sites, Midwest Distribution Center, and Design Yard for initial certification to the OHSAS 18001 standard as well as re-certification to ISO 14001.

2011

Trust Across America, a company dedicated to unraveling the complexities of trustworthy business behavior, listed Herman Miller as one of their "Top Ten Most Trustworthy Companies in America 2011."

The U.S. Environmental Protection Agency (EPA) selected Herman Miller, as a WasteWise Gold Achievement—Climate Change winner.

Herman Miller achieves eighth consecutive listing on Dow Jones Sustainability World Index, an international stock portfolio that evaluates the annual performance of the world's largest 2500 companies using economic, environmental, and social criteria, known as the "triple bottom line" of sustainability.

The Michigan Minority Supplier Development Council (MMSDC) named Herman Miller as its "Corporation of the Year" in the commercial products sector. This was the fifth time Herman Miller has received this award since 2005.

Contract Information

continued

Herman Miller accepted its third Neighborhood Environmental Partners (NEP) award from the Michigan Department of Natural Resources and Environment.

Herman Miller receives the Reader's Choice award from TreeHugger's Best of Green: Design and Architecture category for the SAYL chair.

Herman Miller earns Citibank's Global Environmental Vendor of the Year award.

The SAYL chair from Herman Miller was dubbed the "Product Design of the Year" from the 2010 International Design Awards (IDA) jury.

Herman Miller Healthcare's Compass system was awarded a 2011 Medical Design Excellence Award (MDEA) for its research-based design and ability to be used in a variety of healing spaces, while simultaneously improving the overall delivery of healthcare.

The Sustainable Asset Management (SAM) Group selected Herman Miller for inclusion in the "Sustainability Yearbook 2011" and awarded us both the "SAM Sector Leader" and "SAM Sector Mover" distinctions.

Herman Miller has received the top rating for a fourth consecutive year in the Human Rights Campaign (HRC) Foundation's eighth annual Corporate Equality Index. The "Best Places to Work for LGBT Equality" distinction is awarded to businesses that scored 100% on the HRC Foundation's 2011 Corporate Equality Index.

Herman Miller again tops contract furniture industry in FORTUNE's "Most Admired" Companies survey. For the 23rd time in 25 years.

2010

The NASDAQ OMX CRD Global Sustainability Index (QCRD) has included Herman Miller among their top 100 companies in the world.

Herman Miller achieves seventh consecutive listing on Dow Jones Sustainability World Index, an international stock portfolio that evaluates the annual performance of the world's largest 2500 companies using economic, environmental, and social criteria, known as the "triple bottom line" of sustainability. Herman Miller is one of approximately 300 companies worldwide and the only contract office furniture manufacturer, selected for this index.

Herman Miller has been recognized by Fast Company magazine as one of its 2010 Most Innovative Companies and among the more select Innovation All-Stars.

The U.S. Environmental Protection Agency's Office of Resource Conservation and Recovery has selected Herman Miller to receive the 2010 WasteWise Gold Achievement Award for Green Purchasing.

The Michigan Department of Natural Resources and Environment (MDNRE) has recognized Herman Miller's West Michigan manufacturing sites and Midwest Distribution Center as continuing Clean Corporate Citizens.

Herman Miller makes the U.S. Environmental Protection Agency's (EPA) list of the top fifty users of renewable electricity, of more than 1,200 organizations participating in the Green Power Partnership. This is the second consecutive time Herman Miller was recognized. Herman Miller was the only furniture manufacturer on the list.

Herman Miller accepted its second Neighborhood Environmental Partners (NEP) award from the Michigan Department of Natural Resources and Environment.

For the 22nd time in 24 years, Herman Miller was awarded the No. 1 industry ranking in a survey among the executives and board members of peer companies and independent industry analysts, as published in FORTUNE magazine's annual "Most Admired" companies feature.

The Michigan Department of Environmental Quality (MDEQ) recognizes Herman Miller's GreenHouse as one of Michigan's top environmental performers with a Clean Corporate Citizen (C3) longevity award. This recognizes that the GreenHouse has maintained its C3 designation for the past five years.

For the third year in a row, Herman Miller makes FORTUNE magazine's "100 Best Companies to Work For" list. Herman Miller is one of only three Michigan-based companies to make the list.

24b. Section 508 Compliance

Not applicable

25. Data Universal Numbering System (DUNS): 00-601-2801

26. Registered in System for Award Management (www.SAM.gov) Database

27. Cancellation

Prior to production, no cancellation charge will apply. After production, only actual cost incurred that the contractor can demonstrate if items are sold after 3 months.

28. Restocking Charges

Agencies must notify the contractor for authorization prior to returning any items. The customer agency will be required to pay all packaging and return freight charges. A restocking fee of 50% for Systems Furniture and 35% for all other product lines will be charged for any returned items.

Herman Miller Miscellaneous Information:

Federal ID Number: 38-0837640

Commercial and Government Entity Code (CAGE): 40636

Data Universal Numbering System (DUNS) 00-601-2801

Commercial Entity Code (CEC): 00702290J

Introduction	page 2
Locale®	3
Desking	5
Storage	55
Screens and Display	63
Accessories	76
Tables	79
Power	83
Indices	95
By Name	95
By Number	97
Appendices	
20-Day or Less/Assigned Lead-Time Order Information	
Proprietary Textiles Application Chart-Workspaces	
Proprietary Textile Colors-Workspaces	
For the latest materials information, refer to the Materials pages on HermanMiller.com.	

Introduction

A Note on the Organization of This Book

There are a few signals that will help you understand the organization of this book. Once you know them, you should be able to find your way around easily.

Like a newspaper, this book is formatted with columns of text and illustrations that run vertically.

Information wraps from one column to the next and continues for as many pages as it needs to.

Black bars are clues.

A black bar at the top of a page signals the start of information about a product.

This information is divided into two sections, each signaled by a black bar. Product Information includes a description, additional notes, and dimensional drawings. Specification Information, which always begins at the top of a column, includes a series of steps. Each step represents a decision you need to make in order to complete your product number. Steps must be followed sequentially. The number of pages needed to complete information on a product varies; some will be complete in one page; others may fill three or four pages. Just continue going through the steps until you run into the next product, signaled by the black bar at the top of the page.

Black tabs running along the outside edge of the page help you locate what section you are in or what section you want to go to. You can thumb forwards or backwards to find a section; tabs and text appear on both sides of the page.

The additional pages in the back of the book include the appendices and indices. They are signaled by a long black bar running along the outside edge of the page.

The index is presented two ways.

The first index is in alphabetical order by product name. It can be helpful if you are new to the products and numbering scheme or if you are looking for a type of product, such as work chair or round table.

The second index is by product number. It lists, in alphanumeric order, the base product number, typically a five-digit number.

This book is effective April 2, 2018, subject to change without notice. Products may be purchased from authorized Herman Miller dealers who will quote prices upon request. For more information about our products and services or to see a list of dealers, visit www.HermanMiller.com.


All prices are list prices in US Dollars. Additional services, such as planning services, design, storage, and installation, are not included and must be added to these prices when the additional services are requested.


Illustrations, specifications, and prices are based on the latest information at the time of publication. The right is reserved to make changes at any time without notice in prices, fabrics, finishes, materials, specifications, and models, and also to discontinue models and finishes.

Dimensions shown in the drawings are engineering drawing dimensions rounded up to the nearest $\frac{1}{8}$ ". Product is shipped set up or knocked down. Products that include "Shipped knocked down" in the description require some assembly. If this statement does not appear in the description, the product is shipped assembled.

Service problems are normally handled by a Herman Miller authorized dealer. Where this cannot be accomplished on a local level, service problems should be referred to the Customer Care Representative for your region, Herman Miller, Inc., Zeeland, Michigan 49464.

20-Day or Less/Assigned Lead-Time Shipments

All products and options in this price book not designated by an Assigned Program icon  will ship in **20 business days or less** after being acknowledged by Herman Miller.

Products and options designated by an  are on the assigned lead-time program and may ship in 20 days, less than 20 days, or more than 20 days from order acknowledgement.

Desking

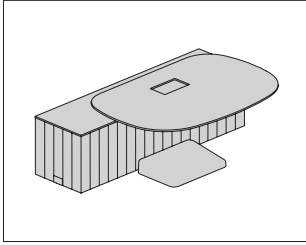
Storage

Screens and Display

Accessories

Tables

Power



Product Information

Description

This D-desk single is an individual work station with enclosed storage.

The desk is oriented parallel to the Workbase. It is freestanding or can be connected end to end with other Locale® modules.

The Workbase has enclosed storage that can be accessed from both sides. It has 2" (51mm) leveling glides and contains 2 storage compartments, each with an adjustable shelf and a removable bottom shelf for access to power and data raceway. Doors have a push latch. The grooved panel exterior minimizes the appearance of individual doors. The panels are available in laminate or veneer. The Workbase top is 1/2" (13mm) thick, available in laminate.

The Workbase is nonpowered. Modular power blocks, harnesses and receptacles must be ordered separately to power the unit and pass power to connecting modules. Hardwire options are available. A power pass-through cutout is on either end of the Workbase. Finished ends include a cutout cover. An optional Workbase top power access cutout with square grommet is available opposite the desk column. This option provides power routing to inside the Workbase for components located opposite the desk.

The desk surface is cantilevered off the Workbase, supported by a column with outrigger supports at the floor. Outrigger supports have an ABS plastic cover which functions as a foot rest.

The desk is specified as fixed height at 29" (736mm) high, or height adjustable. The adjustable desk has electrical height adjustment with an included control lever that can be mounted on the left or right. Desk surface height range is 25" (635mm) to 49" (1244mm). Desk is 3/4" (19mm) thick and is available in squared edge laminate or veneer, or thin edge Formcoat®. Desk surface has a cutout for user power components which must be ordered separately. Cable management tray is included. Tray finish matches desk understructure finish. A through-mount hole with grommet cover is provided on the desk surface for monitor arm support.

Notes

Exposed end of Workbase must be finished. Unfinished ends have predrilled holes for connecting units together. Specify correct option based on Workbase orientation and number of modules connecting together. Left and right specification is defined from user's side of the Workbase. Connecting hardware included.

Door swings can be specified to accommodate storage access direction. Choose the appropriate door swing based on desk orientation. See Planning Guide for more details.

The wood grain for veneer Workbase panels is vertical.

For laminate (M) Workbase, interior finish matches exterior finish. For veneer (W) Workbase, interior finish matches Workbase top finish.

Finished end cutout covers for laminate (M) Workbase match Workbase finish. For veneer (W) Workbases, finished end cutout covers match Workbase top finish.

During installation, power and data cables are routed through the desk column from the Workbase to the cable management tray. Workbase panels at column location are removable for access.

Recommend Flo® single-screen monitor arm support with Locale through surface mount attachment bracket (Y91171.LOC), ordered separately.

Monitor arms must be compatible with 3/4" (19mm) thick surfaces. Clamp mount arms cannot be mounted in center back of D-desk surface.

When specifying Workbase screen (BRWBS.), specify Workbase accessory cutout (S) to match.

For Workbases with locks, contact Options.

See Planning Guide for configurations and desk edge detail.

For laminate (L) desk top material, edge and grommet colors are predetermined:

Laminate—Edgeband Color—Monitor Hole Grommet Cover Color

Neutral Twill (LBF)—Sandstone (WL)—White (G1)

Sarum Twill (LBG)—Folkstone Grey (8Q)—Folkstone Grey (8Q)

Earthen Twill (LBH)—Medium Tone (MT)—Graphite (G2)

Graphite Twill (LBJ)—Medium Tone (MT)—Graphite (G2)

White Twill (LBQ)—White (G1)—White (G1)

Pewter Mesh (LBK)—Warm Grey Neutral (WN)—Graphite (G2)

Steel Mesh (LBL)—Slate Grey (SG)—Graphite (G2)

Crisp Linen (LBM)—Folkstone Grey (8Q)—Folkstone Grey (8Q)

Classic Linen (LBN)—Sandstone (WL)—White (G1)

Casual Linen (LBP)—Warm Grey Neutral (WN)—Graphite (G2)

Clear on Ash (LBA)—White (G1)—White (G1)

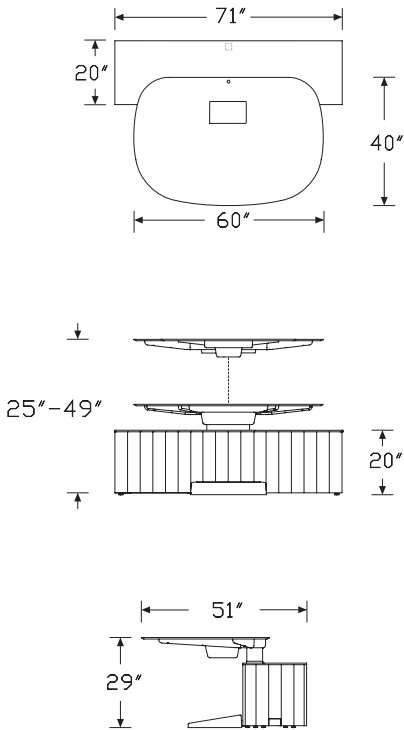
Oak on Ash (LBB)—Medium Tone (MT)—Graphite (G2)

Walnut on Ash (LBC)—Medium Tone (MT)—Graphite (G2)

Order these products separately:

- Power entry (BRE01. or BRE02.)
- Power block (BRE03.)
- Power duplex (BRE04.)
- Power jumper (BRE05.)
- Modular receptacle (BRE06.)
- Workbase screen (BRWBS.)
- Logic G1000 desktop power grommet (Y1425.C or Y1425.F) with plug end power cord option (A) or Logic G1200 nonpowered grommet pass thru (Y1420.V)

Dimensions



Specification Information

Step 1.

BRDS. A

Step 2. Adjustability

A adjustable A
F fixed height A

Step 3. Electrical Cutout Type

D desk electrical cutout A
G desk top and workbase top electrical cutout A

Step 4. Desk Top Material Type

L laminate A
T formcoat® A
W veneer A

Step 5. Workbase Orientation

EE both ends finished - end/end A
EM left finished end - end/mid A
ME right finished end - mid/end A
MM both ends unfinished - mid/mid A

Step 6. Workbase Accessory Cutout

N no cutout A
S workbase screen cutout A

Step 7. Door Configuration

1 front doors A
2 back doors A
3 alternating doors A

Step 8. Workbase Panel Material

M low-pressure laminate A
W veneer A

Prices for Steps 1-8.

		LEEN1M	LEEN1W	LEEN2M	LEEN2W	LEEN3M	LEEN3W
BRDS.	A D	\$6250	7175	6250	7175	6250	7175
	G	\$6300	7225	6300	7225	6300	7225
F D	D	\$5313	6238	5313	6238	5313	6238
	G	\$5413	6338	5413	6338	5413	6338

		LEES1M	LEES1W	LEES2M	LEES2W	LEES3M	LEES3W
BRDS.	A D	\$6250	7175	6250	7175	6250	7175
	G	\$6300	7225	6300	7225	6300	7225

	F	D	\$5313	6238	5313	6238	5313	6238
		G	\$5413	6338	5413	6338	5413	6338
			LEMN1M	LEMN1W	LEMN2M	LEMN2W	LEMN3M	LEMN3W
BRDS.	A	D	\$6140	7065	6140	7065	6140	7065
		G	\$6190	7115	6190	7115	6190	7115
	F	D	\$5203	6128	5203	6128	5203	6128
		G	\$5303	6228	5303	6228	5303	6228
			LEMS1M	LEMS1W	LEMS2M	LEMS2W	LEMS3M	LEMS3W
BRDS.	A	D	\$6140	7065	6140	7065	6140	7065
		G	\$6190	7115	6190	7115	6190	7115
	F	D	\$5203	6128	5203	6128	5203	6128
		G	\$5303	6228	5303	6228	5303	6228
			LMEN1M	LMEN1W	LMEN2M	LMEN2W	LMEN3M	LMEN3W
BRDS.	A	D	\$6140	7065	6140	7065	6140	7065
		G	\$6190	7115	6190	7115	6190	7115
	F	D	\$5203	6128	5203	6128	5203	6128
		G	\$5303	6228	5303	6228	5303	6228
			LMES1M	LMES1W	LMES2M	LMES2W	LMES3M	LMES3W
BRDS.	A	D	\$6140	7065	6140	7065	6140	7065
		G	\$6190	7115	6190	7115	6190	7115
	F	D	\$5203	6128	5203	6128	5203	6128
		G	\$5303	6228	5303	6228	5303	6228
			LMMN1M	LMMN1W	LMMN2M	LMMN2W	LMMN3M	LMMN3W
BRDS.	A	D	\$6060	6985	6060	6985	6060	6985
		G	\$6110	7035	6110	7035	6110	7035
	F	D	\$5123	6048	5123	6048	5123	6048
		G	\$5223	6148	5223	6148	5223	6148
			LMMS1M	LMMS1W	LMMS2M	LMMS2W	LMMS3M	LMMS3W
BRDS.	A	D	\$6060	6985	6060	6985	6060	6985
		G	\$6110	7035	6110	7035	6110	7035
	F	D	\$5123	6048	5123	6048	5123	6048
		G	\$5223	6148	5223	6148	5223	6148
			TEEN1M	TEEN1W	TEEN2M	TEEN2W	TEEN3M	TEEN3W
BRDS.	A	D	\$6370	7295	6370	7295	6370	7295
		G	\$6420	7345	6420	7345	6420	7345
	F	D	\$5433	6358	5433	6358	5433	6358
		G	\$5533	6458	5533	6458	5533	6458

			TEES1M	TEES1W	TEES2M	TEES2W	TEES3M	TEES3W
BRDS.	A	D	\$6370	7295	6370	7295	6370	7295
		G	\$6420	7345	6420	7345	6420	7345
	F	D	\$5433	6358	5433	6358	5433	6358
		G	\$5533	6458	5533	6458	5533	6458
			TEMN1M	TEMN1W	TEMN2M	TEMN2W	TEMN3M	TEMN3W
BRDS.	A	D	\$6260	7185	6260	7185	6260	7185
		G	\$6310	7235	6310	7235	6310	7235
	F	D	\$5323	6248	5323	6248	5323	6248
		G	\$5423	6348	5423	6348	5423	6348
			TEMS1M	TEMS1W	TEMS2M	TEMS2W	TEMS3M	TEMS3W
BRDS.	A	D	\$6260	7185	6260	7185	6260	7185
		G	\$6310	7235	6310	7235	6310	7235
	F	D	\$5323	6248	5323	6248	5323	6248
		G	\$5423	6348	5423	6348	5423	6348
			TMEN1M	TMEN1W	TMEN2M	TMEN2W	TMEN3M	TMEN3W
BRDS.	A	D	\$6260	7185	6260	7185	6260	7185
		G	\$6310	7235	6310	7235	6310	7235
	F	D	\$5323	6248	5323	6248	5323	6248
		G	\$5423	6348	5423	6348	5423	6348
			TMES1M	TMES1W	TMES2M	TMES2W	TMES3M	TMES3W
BRDS.	A	D	\$6260	7185	6260	7185	6260	7185
		G	\$6310	7235	6310	7235	6310	7235
	F	D	\$5323	6248	5323	6248	5323	6248
		G	\$5423	6348	5423	6348	5423	6348
			TMMN1M	TMMN1W	TMMN2M	TMMN2W	TMMN3M	TMMN3W
BRDS.	A	D	\$6180	7105	6180	7105	6180	7105
		G	\$6230	7155	6230	7155	6230	7155
	F	D	\$5243	6168	5243	6168	5243	6168
		G	\$5343	6268	5343	6268	5343	6268
			TMMS1M	TMMS1W	TMMS2M	TMMS2W	TMMS3M	TMMS3W
BRDS.	A	D	\$6180	7105	6180	7105	6180	7105
		G	\$6230	7155	6230	7155	6230	7155
	F	D	\$5243	6168	5243	6168	5243	6168
		G	\$5343	6268	5343	6268	5343	6268
			WEEN1M	WEEN1W	WEEN2M	WEEN2W	WEEN3M	WEEN3W
BRDS.	A	D	\$7075	8000	7075	8000	7075	8000
		G	\$7125	8050	7125	8050	7125	8050
	F	D	\$6138	7063	6138	7063	6138	7063
		G	\$6238	7163	6238	7163	6238	7163

			WEES1M	WEES1W	WEES2M	WEES2W	WEES3M	WEES3W
BRDS.	A	D	\$7075	8000	7075	8000	7075	8000
		G	\$7125	8050	7125	8050	7125	8050
F	D		\$6138	7063	6138	7063	6138	7063
		G	\$6238	7163	6238	7163	6238	7163

			WEMN1M	WEMN1W	WEMN2M	WEMN2W	WEMN3M	WEMN3W
BRDS.	A	D	\$6965	7890	6965	7890	6965	7890
		G	\$7015	7940	7015	7940	7015	7940
F	D		\$6028	6953	6028	6953	6028	6953
		G	\$6128	7053	6128	7053	6128	7053

			WEMS1M	WEMS1W	WEMS2M	WEMS2W	WEMS3M	WEMS3W
BRDS.	A	D	\$6965	7890	6965	7890	6965	7890
		G	\$7015	7940	7015	7940	7015	7940
F	D		\$6028	6953	6028	6953	6028	6953
		G	\$6128	7053	6128	7053	6128	7053

			WMEN1M	WMEN1W	WMEN2M	WMEN2W	WMEN3M	WMEN3W
BRDS.	A	D	\$6965	7890	6965	7890	6965	7890
		G	\$7015	7940	7015	7940	7015	7940
F	D		\$6028	6953	6028	6953	6028	6953
		G	\$6128	7053	6128	7053	6128	7053

			WMES1M	WMES1W	WMES2M	WMES2W	WMES3M	WMES3W
BRDS.	A	D	\$6965	7890	6965	7890	6965	7890
		G	\$7015	7940	7015	7940	7015	7940
F	D		\$6028	6953	6028	6953	6028	6953
		G	\$6128	7053	6128	7053	6128	7053

			WMMN1M	WMMN1W	WMMN2M	WMMN2W	WMMN3M	WMMN3W
BRDS.	A	D	\$6885	7810	6885	7810	6885	7810
		G	\$6935	7860	6935	7860	6935	7860
F	D		\$5948	6873	5948	6873	5948	6873
		G	\$6048	6973	6048	6973	6048	6973

			WMMS1M	WMMS1W	WMMS2M	WMMS2W	WMMS3M	WMMS3W
BRDS.	A	D	\$6885	7810	6885	7810	6885	7810
		G	\$6935	7860	6935	7860	6935	7860
F	D		\$5948	6873	5948	6873	5948	6873
		G	\$6048	6973	6048	6973	6048	6973

Step 9. Desk Top Finish

For laminate (L)

8Q	folkstone grey <input type="checkbox"/>	+\$0
91	white <input type="checkbox"/>	+\$0
LBA	clear on ash <input type="checkbox"/>	+\$0
LBU	medium matte walnut <input type="checkbox"/>	+\$0
LBB	oak on ash <input type="checkbox"/>	+\$0
LBC	walnut on ash <input type="checkbox"/>	+\$0
LBF	neutral twill <input type="checkbox"/>	+\$0
LBG	sarum twill <input type="checkbox"/>	+\$0
LBH	earthen twill <input type="checkbox"/>	+\$0
LBJ	graphite twill <input type="checkbox"/>	+\$0
LBK	pewter mesh <input type="checkbox"/>	+\$0
LBL	steel mesh <input type="checkbox"/>	+\$0
LBM	crisp linen <input type="checkbox"/>	+\$0
LBN	classic linen <input type="checkbox"/>	+\$0
LBP	casual linen <input type="checkbox"/>	+\$0
LBQ	white twill <input type="checkbox"/>	+\$0

For formcoat® (T)

8Q	folkstone grey <input type="checkbox"/>	+\$0
91	white <input type="checkbox"/>	+\$0

For veneer (W)

ET	clear on ash <input type="checkbox"/>	+\$0
EU	oak on ash <input type="checkbox"/>	+\$0
EV	walnut on ash <input type="checkbox"/>	+\$0

Step 10. Desk Understructure Finish

8Q	folkstone grey <input type="checkbox"/>	+\$0
91	white <input type="checkbox"/>	+\$0
G1	graphite <input type="checkbox"/>	+\$0

Step 11. Workbase Top Finish

8Q	folkstone grey <input type="checkbox"/>	+\$0
91	white <input type="checkbox"/>	+\$0
G1	graphite <input type="checkbox"/>	+\$0

Step 12. Workbase Panel Finish

For low-pressure laminate (M)

8Q	folkstone grey <input type="checkbox"/>	+\$0
91	white <input type="checkbox"/>	+\$0
G1	graphite <input type="checkbox"/>	+\$0

D-Desk Single *continued*

For veneer (W)

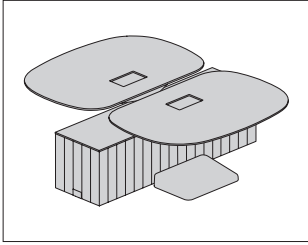
ET	clear on ash <input type="checkbox"/>	+\$0
EU	oak on ash <input type="checkbox"/>	+\$0
EV	walnut on ash <input type="checkbox"/>	+\$0

Step 13. Workbase Storage Option

AJS	adjustable shelf <input type="checkbox"/>	+\$0
------------	---	------

Step 14. Footrest Finish

G1	graphite <input type="checkbox"/>	+\$0
SG	slate grey <input type="checkbox"/>	+\$0



Product Information

Description

This D-desk double provides 2 individual work stations with enclosed storage. The desks are oriented parallel to the Workbase. The module is freestanding or can be connected end to end with other Locale® modules.

The Workbase has enclosed storage. It has 2" (51mm) leveling glides and contains 2 storage compartments, 1 accessible from the right side of each desk. Storage compartments each have an adjustable shelf and a removable bottom shelf for access to power and data raceway. Doors have a push latch. The grooved panel exterior minimizes the appearance of individual doors. The panels are available in laminate or veneer. The Workbase top is 1/2" (13mm) thick, available in laminate.

The Workbase is nonpowered. Modular power blocks, harnesses and receptacles must be ordered separately to power the unit and pass power to connecting modules. Hardwire options are available. A power pass-through cutout is on either end of the Workbase. Finished ends include a cutout cover.

Each desk surface is cantilevered off the Workbase, each supported by a column with outrigger supports at the floor. Outrigger supports have an ABS plastic cover which functions as a foot rest.

The desk is specified as fixed height at 29" (736mm) high, or height adjustable. The adjustable desk has electrical height adjustment with an included control lever that can be mounted on the left or right. Desk surface height range is 25" (635mm) to 49" (1244mm). Desk is 3/4" (19mm) thick and available in squared edge laminate or veneer, or thin edge Formcoat®. Desk surface has a cutout for user power components which must be ordered separately. Cable management trays are included. Tray finishes match desk understructure finishes. A through-mount hole with grommet cover is provided on the desk surface for monitor arm support.

Notes

Exposed end of Workbase must be finished. Unfinished ends have predrilled holes for connecting units together. Specify correct option based on Workbase orientation and number of modules connecting together. Connecting hardware included.

The wood grain for veneer Workbase panels is vertical.

For laminate (M) Workbase, interior finish matches exterior finish. For veneer (W) Workbase, interior finish matches Workbase top finish.

Finished end cutout covers for laminate (M) Workbases match Workbase finish. For veneer (W) Workbases, finished end cutout covers match Workbase top finish.

During installation, power and data cables are routed through the desk column from the Workbase to the cable management tray. Workbase panels in front of column are removable for access.

Recommend Flo® single-screen monitor arm support with Locale through surface mount attachment bracket (Y91171.LOC), ordered separately.

Monitor arms must be compatible with 3/4" (19mm) thick surfaces. Clamp mount arms cannot be mounted in center back of D-desk surface.

When specifying Workbase screen (BRWBS.), specify Workbase accessory cutout (S) to match.

For Workbases with locks, and for electrical access at the Workbase top, contact Options.

See Planning Guide for configurations and desk edge detail.

For laminate (L) desk top material, edge and grommet colors are predetermined:

Laminate—Edgeband Color—Monitor Hole Grommet Cover Color

Neutral Twill (LBF)—Sandstone (WL)—White (g1)

Sarum Twill (LBG)—Folkstone Grey (8Q)—Folkstone Grey (8Q)

Earthen Twill (LBH)—Medium Tone (MT)—Graphite (G2)

Graphite Twill (LBJ)—Medium Tone (MT)—Graphite (G2)

White Twill (LBQ)—White (g1)—White (g1)

Pewter Mesh (LBK)—Warm Grey Neutral (WN)—Graphite (G2)

Steel Mesh (LBL)—Slate Grey (SG)—Graphite (G2)

Crisp Linen (LBM)—Folkstone Grey (8Q)—Folkstone Grey (8Q)

Classic Linen (LBN)—Sandstone (WL)—White (g1)

Casual Linen (LBP)—Warm Grey Neutral (WN)—Graphite (G2)

Clear on Ash (LBA)—White (g1)—White (g1)

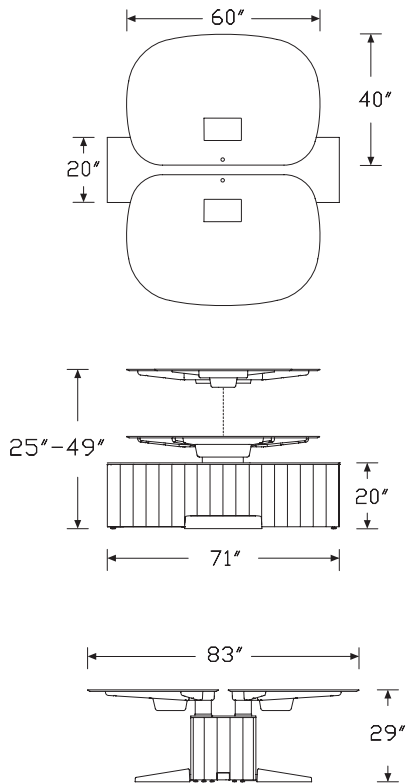
Oak on Ash (LBB)—Medium Tone (MT)—Graphite (G2)

Walnut on Ash (LBC)—Medium Tone (MT)—Graphite (G2)

Order these products separately:

- Power entry (BRE01. or BRE02.)
- Power block (BRE03.)
- Power duplex (BRE04.)
- Power jumper (BRE05.)
- Modular receptacle (BRE06.)
- Workbase screen (BRWBS.)
- Logic G1000 desktop power grommet (Y1425.C or Y1425.F) with plug end power cord option (A) or Logic G1200 nonpowered grommet pass thru (Y1420.V)

Dimensions



Specification Information

Step 1.

BRDD. A

Step 2. Adjustability

A adjustable A

F fixed height A

Step 3. Electrical Cutout Type

D desk electrical cutout A

Step 4. Desk Top Material Type

L laminate A

T formcoat® A

W veneer A

Step 5. Workbase Orientation

EE both ends finished - end/end A

OE one finished end - end/mid A

MM both ends unfinished - mid/mid A

Step 6. Workbase Accessory Cutout

N no cutout A

S workbase screen cutout A

Step 7. Workbase Panel Material

M low-pressure laminate A

W veneer A

Prices for Steps 1-7.

		LEENM	LEENW	LEESM	LEESW	LOENM	LOENW
BRDD.	A D	\$9875	10800	9875	10800	9765	10690
	F D	\$8001	8926	8001	8926	7891	8816

		LOESM	LOESW	LMMNM	LMMNW	LMMSM	LMMSW
BRDD.	A D	\$9765	10690	9685	10610	9685	10610
	F D	\$7891	8816	7811	8736	7811	8736

		TEENM	TEENW	TEESM	TEESW	TOENM	TOENW
BRDD.	A D	\$10115	11040	10115	11040	10005	10930
	F D	\$8241	9166	8241	9166	8131	9056

		TOESM	TOESW	TMMNM	TMMNW	TMMSM	TMMSW
BRDD.	A D	\$10005	10930	9925	10850	9925	10850
	F D	\$8131	9056	8051	8976	8051	8976

D-Desk Double *continued*

Locale® Desking

		WEENM	WEENW	WEESM	WEESW	WOENM	WOENW
BRDD.	A D	\$11525	12450	11525	12450	11415	12340
	F D	\$9651	10576	9651	10576	9541	10466

		WOESM	WOESW	WMMNM	WMMNW	WMMSM	WMMSW
BRDD.	A D	\$11415	12340	11335	12260	11335	12260
	F D	\$9541	10466	9461	10386	9461	10386

Step 8. Desk Top Finish

For laminate (L)

8Q	folkstone grey <input type="checkbox"/>	+\$0
91	white <input type="checkbox"/>	+\$0
LBA	clear on ash <input type="checkbox"/>	+\$0
LBU	medium matte walnut <input type="checkbox"/>	+\$0
LBB	oak on ash <input type="checkbox"/>	+\$0
LBC	walnut on ash <input type="checkbox"/>	+\$0
LBF	neutral twill <input type="checkbox"/>	+\$0
LBG	sarum twill <input type="checkbox"/>	+\$0
LBH	earthen twill <input type="checkbox"/>	+\$0
LBJ	graphite twill <input type="checkbox"/>	+\$0
LBK	pewter mesh <input type="checkbox"/>	+\$0
LBL	steel mesh <input type="checkbox"/>	+\$0
LBM	crisp linen <input type="checkbox"/>	+\$0
LBN	classic linen <input type="checkbox"/>	+\$0
LBP	casual linen <input type="checkbox"/>	+\$0
LBQ	white twill <input type="checkbox"/>	+\$0

For formcoat® (T)

8Q	folkstone grey <input type="checkbox"/>	+\$0
91	white <input type="checkbox"/>	+\$0

For veneer (W)

ET	clear on ash <input type="checkbox"/>	+\$0
EU	oak on ash <input type="checkbox"/>	+\$0
EV	walnut on ash <input type="checkbox"/>	+\$0

Step 9. Desk Understructure Finish

8Q	folkstone grey <input type="checkbox"/>	+\$0
91	white <input type="checkbox"/>	+\$0
G1	graphite <input type="checkbox"/>	+\$0

Step 10. Workbase Top Finish

8Q	folkstone grey <input type="checkbox"/>	+\$0
91	white <input type="checkbox"/>	+\$0
G1	graphite <input type="checkbox"/>	+\$0

Step 11. Workbase Panel Finish

For low-pressure laminate (M)

8Q	folkstone grey <input type="checkbox"/>	+\$0
91	white <input type="checkbox"/>	+\$0
G1	graphite <input type="checkbox"/>	+\$0

For veneer (W)

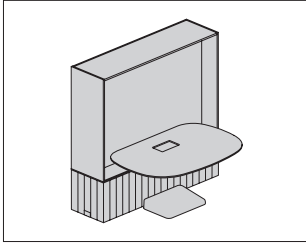
ET	clear on ash <input type="checkbox"/>	+\$0
EU	oak on ash <input type="checkbox"/>	+\$0
EV	walnut on ash <input type="checkbox"/>	+\$0

Step 12. Workbase Storage Option

AJS	adjustable shelf <input type="checkbox"/>	+\$0
------------	---	------

Step 13. Footrest Finish

G1	graphite <input type="checkbox"/>	+\$0
SG	slate grey <input type="checkbox"/>	+\$0



Product Information

Description

This D-desk single with full display is an individual work station with enclosed storage and display that can be accessed from both sides. The desk is oriented parallel to the Workbase. It is freestanding or can be connected end to end with other Locale® modules.

The Workbase has enclosed storage that can be accessed from both sides. It has 2" (51mm) leveling glides and contains 2 storage compartments, each with an adjustable shelf and a removable bottom shelf for access to power and data raceway. Doors have a push latch. The grooved panel exterior minimizes the appearance of individual doors. The panels are available in laminate or veneer. The Workbase top is 1/2" (13mm) thick, available in laminate.

The Workbase is nonpowered. Modular power blocks, harnesses and receptacles must be ordered separately to power the unit and pass power to connecting modules. Hardwire options are available. A power pass-through cutout is on either end of the Workbase. Finished ends include a cutout cover. An optional Workbase top power access cutout with square grommet is available opposite the desk column. This option provides power routing to inside the Workbase for components located opposite the desk.

The desk surface is cantilevered off the Workbase, supported by a column with outrigger supports at the floor. Outrigger supports have an ABS plastic cover which functions as a foot rest.

The desk is specified as fixed height at 29" (736mm) high, or height adjustable. The adjustable desk has electrical height adjustment with an included control lever that can be mounted on the left or right. Desk surface height range is 25" (635mm) to 49" (1244mm). Desk is 3/4" (19mm) thick and is available in squared edge laminate or veneer, or thin edge Formcoat®. Desk surface has a cutout for user power components which must be ordered separately. Cable management tray is included. Tray finish matches desk understructure finish. A through-mount hole with grommet cover is provided on the desk surface for monitor arm support.

The full display unit has a center dividing panel and can hold a tackboard on either side. The unit is available in laminate.

Notes

Mounting a monitor on the full display is not recommended and will interfere with height adjustability if mounted on the desk side. Door swings can be specified to accommodate storage access direction. Choose the appropriate door swing based on desk orientation. See Planning Guide for more details.

Exposed end of Workbase must be finished. Unfinished ends have predrilled holes for connecting units together. Specify correct option based on Workbase orientation and number of modules connecting together. Left and right specification is defined from user's side of the Workbase. Connecting hardware included.

The wood grain for veneer Workbase panels is vertical.

For laminate (M) Workbase, interior finish matches exterior finish. For veneer (W) Workbase, interior finish matches the full display laminate finish.

Finished end cutout covers for laminate (M) Workbase match Workbase finish. For veneer (W) Workbases, finished end cutout covers match the full display laminate finish.

During installation, power and data cables are routed through the desk column from the Workbase to the cable management tray. Workbase panels in front of column are removable for access.

Recommend Flo® single-screen monitor arm support with Locale through surface mount attachment bracket (Y91171.LOC), ordered separately.

Monitor arms must be compatible with 3/4" (19mm) thick surfaces. Clamp mount arms cannot be mounted in center back of D-desk surface.

For Workbases with locks, contact Options.

See Planning Guide for configurations and desk edge detail.

For laminate (L) desk top material, edge and grommet colors are predetermined:

Laminate—Edgeband Color—Monitor Hole Grommet Cover Color

Neutral Twill (LBF)—Sandstone (WL)—White (G1)

Sarum Twill (LBG)—Folkstone Grey (8Q)—Folkstone Grey (8Q)

Earthen Twill (LBH)—Medium Tone (MT)—Graphite (G2)

Graphite Twill (LBJ)—Medium Tone (MT)—Graphite (G2)

White Twill (LBQ)—White (G1)—White (G1)

Pewter Mesh (LBK)—Warm Grey Neutral (WN)—Graphite (G2)

Steel Mesh (LBL)—Slate Grey (SG)—Graphite (G2)

Crisp Linen (LBM)—Folkstone Grey (8Q)—Folkstone Grey (8Q)

Classic Linen (LBN)—Sandstone (WL)—White (G1)

Casual Linen (LBP)—Warm Grey Neutral (WN)—Graphite (G2)

Clear on Ash (LBA)—White (G1)—White (G1)

Oak on Ash (LBB)—Medium Tone (MT)—Graphite (G2)

Walnut on Ash (LBC)—Medium Tone (MT)—Graphite (G2)

Order these products separately:

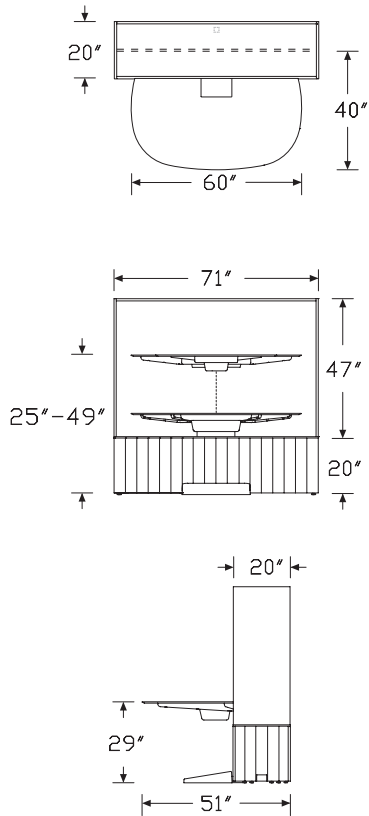
- Power entry (BRE01. or BRE02.)
- Power block (BRE03.)
- Power duplex (BRE04.)
- Power jumper (BRE05.)
- Modular receptacle (BRE06.)
- Display tackboard (BRTB.)
- Logic G1000 desktop power grommet (Y1425.C or Y1425.F) with plug end power cord option (A) or Logic G1200 nonpowered grommet pass thru (Y1420.V)

D-Desk Single with Full Display

continued

Locale® Desking

Dimensions



Specification Information

Step 1.

BRDSF. A

Step 2. Adjustability

A adjustable A

F fixed height A

Step 3. Electrical Cutout Type

D desk electrical cutout A

G desk top and workbase top electrical cutout A

Step 4. Desk Top Material Type

L laminate A

T formcoat® A

W veneer A

Step 5. Workbase Orientation

EE both ends finished - end/end A

EM left finished end - end/mid A

ME right finished end - mid/end A

MM both ends unfinished - mid/mid A

Step 6. Door Configuration

1 front doors A

2 back doors A

3 alternating doors A

Step 7. Workbase Panel Material

M low-pressure laminate A

W veneer A

Step 8. Upper Display Material

For low-pressure laminate (M)

M low-pressure laminate A

For veneer (W)

M low-pressure laminate A

Prices for Steps 1-8.

		LEE1MM	LEE1WM	LEE2MM	LEE2WM	LEE3MM	LEE3WM
BRDSF. A	D	\$8610	9530	8610	9530	8610	9530
	G	\$8660	9580	8660	9580	8660	9580
F	D	\$7673	8593	7673	8593	7673	8593
	G	\$7723	8643	7723	8643	7723	8643

D-Desk Single with Full Display

continued

		LEM1MM	LEM1WM	LEM2MM	LEM2WM	LEM3MM	LEM3WM
BRDSF. A	D	\$8500	9420	8500	9420	8500	9420
	G	\$8550	9470	8550	9470	8550	9470
F	D	\$7563	8483	7563	8483	7563	8483
	G	\$7613	8533	7613	8533	7613	8533

		LME1MM	LME1WM	LME2MM	LME2WM	LME3MM	LME3WM
BRDSF. A	D	\$8500	9420	8500	9420	8500	9420
	G	\$8550	9470	8550	9470	8550	9470
F	D	\$7563	8483	7563	8483	7563	8483
	G	\$7613	8533	7613	8533	7613	8533

		LMM1MM	LMM1WM	LMM2MM	LMM2WM	LMM3MM	LMM3WM
BRDSF. A	D	\$8420	9340	8420	9340	8420	9340
	G	\$8470	9390	8470	9390	8470	9390
F	D	\$7483	8403	7483	8403	7483	8403
	G	\$7533	8453	7533	8453	7533	8453

		TEE1MM	TEE1WM	TEE2MM	TEE2WM	TEE3MM	TEE3WM
BRDSF. A	D	\$8725	9650	8725	9650	8725	9650
	G	\$8775	9700	8775	9700	8775	9700
F	D	\$7788	8713	7788	8713	7788	8713
	G	\$7838	8763	7838	8763	7838	8763

		TEM1MM	TEM1WM	TEM2MM	TEM2WM	TEM3MM	TEM3WM
BRDSF. A	D	\$8615	9540	8615	9540	8615	9540
	G	\$8665	9590	8665	9590	8665	9590
F	D	\$7678	8603	7678	8603	7678	8603
	G	\$7728	8653	7728	8653	7728	8653

		TME1MM	TME1WM	TME2MM	TME2WM	TME3MM	TME3WM
BRDSF. A	D	\$8615	9540	8615	9540	8615	9540
	G	\$8665	9590	8665	9590	8665	9590
F	D	\$7678	8603	7678	8603	7678	8603
	G	\$7728	8653	7728	8653	7728	8653

		TMM1MM	TMM1WM	TMM2MM	TMM2WM	TMM3MM	TMM3WM
BRDSF. A	D	\$8535	9460	8535	9460	8535	9460
	G	\$8585	9510	8585	9510	8585	9510
F	D	\$7598	8523	7598	8523	7598	8523
	G	\$7648	8573	7648	8573	7648	8573

		WEE1MM	WEE1WM	WEE2MM	WEE2WM	WEE3MM	WEE3WM
BRDSF. A	D	\$9435	10355	9435	10355	9435	10355
	G	\$9485	10405	9485	10405	9485	10405
F	D	\$8498	9418	8498	9418	8498	9418
	G	\$8548	9468	8548	9468	8548	9468

		WEM1MM	WEM1WM	WEM2MM	WEM2WM	WEM3MM	WEM3WM
BRDSF. A	D	\$9325	10245	9325	10245	9325	10245
	G	\$9375	10295	9375	10295	9375	10295
F	D	\$8388	9308	8388	9308	8388	9308
	G	\$8438	9358	8438	9358	8438	9358

		WME1MM	WME1WM	WME2MM	WME2WM	WME3MM	WME3WM
BRDSF. A	D	\$9325	10245	9325	10245	9325	10245
	G	\$9375	10295	9375	10295	9375	10295
F	D	\$8388	9308	8388	9308	8388	9308
	G	\$8438	9358	8438	9358	8438	9358

		WMM1MM	WMM1WM	WMM2MM	WMM2WM	WMM3MM	WMM3WM
BRDSF. A	D	\$9245	10165	9245	10165	9245	10165
	G	\$9295	10215	9295	10215	9295	10215
F	D	\$8308	9228	8308	9228	8308	9228
	G	\$8358	9278	8358	9278	8358	9278

Step 9. Desk Top Finish

For laminate (L)

8Q	folkstone grey <input type="checkbox"/>	+ \$0
91	white <input type="checkbox"/>	+ \$0
LBA	clear on ash <input type="checkbox"/>	+ \$0
LBU	medium matte walnut <input type="checkbox"/>	+ \$0
LBB	oak on ash <input type="checkbox"/>	+ \$0
LBC	walnut on ash <input type="checkbox"/>	+ \$0
LBF	neutral twill <input type="checkbox"/>	+ \$0
LBG	sarum twill <input type="checkbox"/>	+ \$0
LBH	earthen twill <input type="checkbox"/>	+ \$0
LBJ	graphite twill <input type="checkbox"/>	+ \$0
LBK	pewter mesh <input type="checkbox"/>	+ \$0
LBL	steel mesh <input type="checkbox"/>	+ \$0
LBM	crisp linen <input type="checkbox"/>	+ \$0
LBN	classic linen <input type="checkbox"/>	+ \$0
LBP	casual linen <input type="checkbox"/>	+ \$0
LBQ	white twill <input type="checkbox"/>	+ \$0

For formcoat® (T)

8Q	folkstone grey <input type="checkbox"/>	+ \$0
91	white <input type="checkbox"/>	+ \$0

For veneer (V)

ET	clear on ash <input type="checkbox"/>	+ \$0
EU	oak on ash <input type="checkbox"/>	+ \$0
EV	walnut on ash <input type="checkbox"/>	+ \$0

D-Desk Single with Full Display

continued

Locale® Desking

Step 10. Desk Understructure Finish

8Q	folkstone grey <input type="checkbox"/>	+\$0
91	white <input type="checkbox"/>	+\$0
G1	graphite <input type="checkbox"/>	+\$0

Step 11. Workbase Panel Finish

For low-pressure laminate (M)

8Q	folkstone grey <input type="checkbox"/>	+\$0
91	white <input type="checkbox"/>	+\$0
G1	graphite <input type="checkbox"/>	+\$0

For veneer (W)

ET	clear on ash <input type="checkbox"/>	+\$0
EU	oak on ash <input type="checkbox"/>	+\$0
EV	walnut on ash <input type="checkbox"/>	+\$0

Step 12. Workbase Storage Option

AJS	adjustable shelf <input type="checkbox"/>	+\$0
------------	---	------

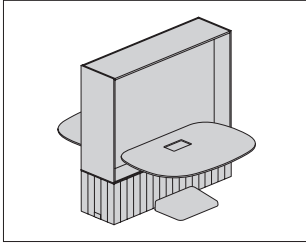
Step 13. Upper Display Finish

8Q	folkstone grey <input type="checkbox"/>	+\$0
91	white <input type="checkbox"/>	+\$0
G1	graphite <input type="checkbox"/>	+\$0

Step 14. Footrest Finish

G1	graphite <input type="checkbox"/>	+\$0
SG	slate grey <input type="checkbox"/>	+\$0

D-Desk Double with Full Display BRDDF.



Product Information

Description

This D-desk double with full display has 2 individual work stations with enclosed storage and display that can be accessed from both sides. The desks are oriented parallel to the Workbase. The module is freestanding or can be connected end to end with other Locale® modules.

The Workbase has enclosed storage that can be accessed from both sides. It has 2" (51mm) leveling glides and contains 2 storage compartments, 1 accessible from the right side of each desk. Storage compartments each have an adjustable shelf and a removable bottom shelf for access to power and data raceway. Doors have a push latch. The grooved panel exterior minimizes the appearance of individual doors. The panels are available in laminate or veneer. The Workbase top is 1/2" (13mm) thick, available in laminate.

The Workbase is nonpowered. Modular power blocks, harnesses and receptacles must be ordered separately to power the unit and pass power to connecting modules. Hardwire options are available. A power pass-through cutout is on either end of the Workbase. Finished ends include a cutout cover.

The desk surfaces are cantilevered off the Workbase, each supported by a column with outrigger supports at the floor. Outrigger supports have an ABS plastic cover which functions as a foot rest.

The desk is specified as fixed height at 29" (736mm) high, or height adjustable. The adjustable desks have electrical height adjustment with an included control lever that can be mounted on the left or right. Desk surface height range is 25" (635mm) to 49" (1244mm). Desk is 3/4" (19mm) thick and available in squared edge laminate or veneer, or thin edge Formcoat®. Desk surface has a cutout for user power components which must be ordered separately. Cable management trays are included. Tray finishes match desk understructure finishes. A through-mount hole with grommet cover is provided on the desk surface for monitor arm support.

The full display unit has a center dividing panel and can hold a tackboard on either side. The unit is available in laminate.

Notes

Mounting a monitor on the full display is not recommended and will interfere with height adjustability.

Exposed end of Workbase must be finished. Unfinished ends have predrilled holes for connecting units together. Specify correct option based on Workbase orientation and number of modules connecting together. Connecting hardware included.

The wood grain for veneer Workbase panels is vertical.

For laminate (M) Workbase, interior finish matches exterior finish. For veneer (W) Workbase, interior finish matches the full display laminate finish.

Finished end cutout covers for laminate (M) Workbase match Workbase finish. For veneer (W) Workbases, finished end cutout covers match the full display laminate finish.

During installation, power and data cables are routed through the desk column from the Workbase to the cable management tray. Workbase panels in front of column are removable for access.

Recommend Flo® single-screen monitor arm support with Locale through surface mount attachment bracket (Y91171.LOC), ordered separately.

Monitor arms must be compatible with 3/4" (19mm) thick surfaces. Clamp mount arms cannot be mounted in center back of D-desk surface.

For Workbases with locks, and for electrical access at the Workbase top, contact Options.

See Planning Guide for configurations and desk edge detail.

For laminate (L) desk top material, edge and grommet colors are predetermined:

Laminate—Edgeband Color—Monitor Hole Grommet Cover Color
Neutral Twill (LBF)—Sandstone (WL)—White (G1)

Sarum Twill (LBG)—Folkstone Grey (8Q)—Folkstone Grey (8Q)

Earthen Twill (LBH)—Medium Tone (MT)—Graphite (G2)

Graphite Twill (LBJ)—Medium Tone (MT)—Graphite (G2)

White Twill (LBQ)—White (G1)—White (G1)

Pewter Mesh (LBK)—Warm Grey Neutral (WN)—Graphite (G2)

Steel Mesh (LBL)—Slate Grey (SG)—Graphite (G2)

Crisp Linen (LBM)—Folkstone Grey (8Q)—Folkstone Grey (8Q)

Classic Linen (LBN)—Sandstone (WL)—White (G1)

Casual Linen (LBP)—Warm Grey Neutral (WN)—Graphite (G2)

Clear on Ash (LBA)—White (G1)—White (G1)

Oak on Ash (LBB)—Medium Tone (MT)—Graphite (G2)

Walnut on Ash (LBC)—Medium Tone (MT)—Graphite (G2)

Order these products separately:

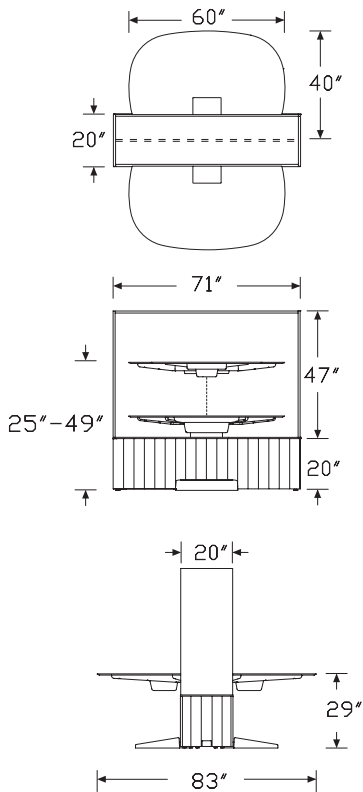
- Power entry (BRE01. or BRE02.)
- Power block (BRE03.)
- Power duplex (BRE04.)
- Power jumper (BRE05.)
- Modular receptacle (BRE06.)
- Display tackboard (BRTB.)
- Logic G1000 desktop power grommet (Y1425.C or Y1425.F) with plug end power cord option (A) or Logic G1200 nonpowered grommet pass thru (Y1420.V)

D-Desk Double with Full Display

continued

Locale® Desking

Dimensions



Specification Information

Step 1.

BRDDF. A

Step 2. Adjustability

A adjustable A

F fixed height A

Step 3. Electrical Cutout Type

D desk electrical cutout A

Step 4. Desk Top Material Type

L laminate A

T formcoat® A

W veneer A

Step 5. Workbase Orientation

EE both ends finished - end/end A

OE one finished end - end/mid A

MM both ends unfinished - mid/mid A

Step 6. Workbase Panel Material

M low-pressure laminate A

W veneer A

Step 7. Upper Display Material

For low-pressure laminate (M)

M low-pressure laminate A

For veneer (W)

M low-pressure laminate A

Prices for Steps 1-7.

	LEEMM	LEEWM	LOEMM	LOEWM	LMMMM	LMMWM
BRDDF.A D	\$12235	13160	12125	13050	12045	12970
F D	\$10361	11286	10251	11176	10171	11096

	TEEMM	TEEWM	TOEMM	TOEWM	TMMMM	TMMWM
BRDDF.A D	\$12475	13400	12365	13290	12285	13210
F D	\$10601	11526	10491	11416	10411	11336

	WEEMM	WEEWM	WOEMM	WOEWM	WMMMM	WMMWM
BRDDF.A D	\$13885	14810	13775	14700	13695	14620
F D	\$12011	12936	11901	12826	11821	12746

D-Desk Double with Full Display

continued

Step 8. Desk Top Finish

For laminate (L)

8Q	folkstone grey <input type="checkbox"/>	+\$0
91	white <input type="checkbox"/>	+\$0
LBA	clear on ash <input type="checkbox"/>	+\$0
LBU	medium matte walnut <input type="checkbox"/>	+\$0
LBB	oak on ash <input type="checkbox"/>	+\$0
LBC	walnut on ash <input type="checkbox"/>	+\$0
LBF	neutral twill <input type="checkbox"/>	+\$0
LBG	sarum twill <input type="checkbox"/>	+\$0
LBH	earthen twill <input type="checkbox"/>	+\$0
LBJ	graphite twill <input type="checkbox"/>	+\$0
LBK	pewter mesh <input type="checkbox"/>	+\$0
LBL	steel mesh <input type="checkbox"/>	+\$0
LBM	crisp linen <input type="checkbox"/>	+\$0
LBN	classic linen <input type="checkbox"/>	+\$0
LBP	casual linen <input type="checkbox"/>	+\$0
LBQ	white twill <input type="checkbox"/>	+\$0

For formcoat® (T)

8Q	folkstone grey <input type="checkbox"/>	+\$0
91	white <input type="checkbox"/>	+\$0

For veneer (W)

ET	clear on ash <input type="checkbox"/>	+\$0
EU	oak on ash <input type="checkbox"/>	+\$0
EV	walnut on ash <input type="checkbox"/>	+\$0

Step 9. Desk Understructure Finish

8Q	folkstone grey <input type="checkbox"/>	+\$0
91	white <input type="checkbox"/>	+\$0
G1	graphite <input type="checkbox"/>	+\$0

Step 10. Workbase Panel Finish

For low-pressure laminate (M)

8Q	folkstone grey <input type="checkbox"/>	+\$0
91	white <input type="checkbox"/>	+\$0
G1	graphite <input type="checkbox"/>	+\$0

For veneer (W)

ET	clear on ash <input type="checkbox"/>	+\$0
EU	oak on ash <input type="checkbox"/>	+\$0
EV	walnut on ash <input type="checkbox"/>	+\$0

Step 11. Workbase Storage Option

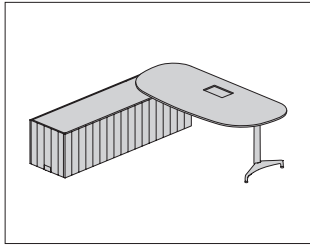
AJS	adjustable shelf <input type="checkbox"/>	+\$0
------------	---	------

Step 12. Upper Display Finish

8Q	folkstone grey <input type="checkbox"/>	+\$0
91	white <input type="checkbox"/>	+\$0
G1	graphite <input type="checkbox"/>	+\$0

Step 13. Footrest Finish

G1	graphite <input type="checkbox"/>	+\$0
SG	slate grey <input type="checkbox"/>	+\$0



Product Information

Description

This L-desk single is an individual work station with enclosed storage. The desk is oriented perpendicular to the Workbase. It is freestanding or can be connected end to end with other Locale® modules.

The Workbase has enclosed storage that can be accessed from both sides. It has 2" (51mm) leveling glides and contains 2 storage compartments, each with an adjustable shelf and a removable bottom shelf for access to power and data raceway. Doors have a push latch. The grooved panel exterior minimizes the appearance of individual doors. The panels are available in laminate or veneer. The Workbase top is 1/2" (13mm) thick, available in laminate.

The Workbase is nonpowered. Modular power blocks, harnesses and receptacles must be ordered separately to power the unit and pass power to connecting modules. Hardwire options are available. A power pass-through cutout is on either end of the Workbase. Finished ends include a cutout cover. An optional Workbase top power access cutout with square grommet is available opposite the desk column. This option provides power routing to inside the Workbase for components located opposite the desk.

The desk surface is supported by a column, specified at either end of the Workbase. It has a single outboard leg.

The desk is specified as fixed height at 29" (736mm) high, or height adjustable. The adjustable desk has electrical height adjustment with an included control lever that can be mounted on the left or right. Desk surface height range is 25" (635mm) to 49" (1244mm). Desk is 3/4" (19mm) thick and available in squared edge laminate or veneer, or thin edge Formcoat®. Desk surface has a cutout for user power components which must be ordered separately. Cable management tray included. Tray finish matches desk understructure finish. A through-mount hole with grommet cover is provided on the desk surface for monitor arm support.

Notes

Exposed end of Workbase must be finished. Unfinished ends have predrilled holes for connecting units together. Specify correct option based on Workbase orientation and number of modules connecting together. Specify desk and finished ends based on the user's side desk located on the left or right of the Workbase. The dimensional illustration below shows a left oriented desk. Connecting hardware included.

Door swings can be specified to accommodate storage access direction. Choose the appropriate door swing based on desk orientation. See Planning Guide for more details.

The wood grain for veneer Workbase panels is vertical.

For laminate (M) Workbases, the interior finish matches exterior finish.

For veneer (W) Workbases, the interior finish matches the Workbase top finish.

Finished end cutout covers for laminate (M) Workbases match the Workbase finish. For veneer (W) Workbases, finished end cutout covers match the Workbase top finish.

During installation, power and data cables are routed through the desk column from the Workbase to the cable management tray. Workbase panels in front of column are removable for access.

Recommend Flo® single-screen monitor arm support with Locale through surface mount attachment bracket (Y91171.LOC), ordered separately.

Monitor arms must be compatible with 3/4" (19mm) thick surfaces.

When specifying Workbase screen (BRWBS.), specify Workbase accessory cutout (S) to match.

For Workbases with locks, contact Options.

See Planning Guide for configurations and desk edge detail.

For laminate (L) desk top material, edge and grommet colors are predetermined:

Laminate—Edgeband Color—Monitor Hole Grommet Cover Color

Neutral Twill (LBF)—Sandstone (WL)—White (g1)

Sarum Twill (LBG)—Folkstone Grey (8Q)—Folkstone Grey (8Q)

Earthen Twill (LBH)—Medium Tone (MT)—Graphite (G2)

Graphite Twill (LBJ)—Medium Tone (MT)—Graphite (G2)

White Twill (LBQ)—White (g1)—White (g1)

Pewter Mesh (LBK)—Warm Grey Neutral (WN)—Graphite (G2)

Steel Mesh (LBL)—Slate Grey (SG)—Graphite (G2)

Crisp Linen (LBM)—Folkstone Grey (8Q)—Folkstone Grey (8Q)

Classic Linen (LBN)—Sandstone (WL)—White (g1)

Casual Linen (LBP)—Warm Grey Neutral (WN)—Graphite (G2)

Clear on Ash (LBA)—White (g1)—White (g1)

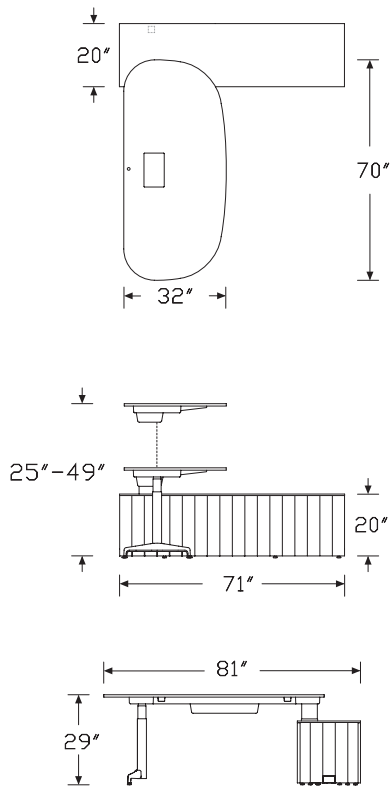
Oak on Ash (LBB)—Medium Tone (MT)—Graphite (G2)

Walnut on Ash (LBC)—Medium Tone (MT)—Graphite (G2)

Order these products separately:

- Power entry (BRE01. or BRE02.)
- Power block (BRE03.)
- Power duplex (BRE04.)
- Power jumper (BRE05.)
- Modular receptacle (BRE06.)
- Workbase screen (BRWBS.)
- L-desk screen (BRLDS.)
- Bench cushion (BRBC.)
- Logic G1000 desktop power grommet (Y1425.C or Y1425.F) with plug end power cord option (A) or Logic G1200 nonpowered grommet pass thru (Y1420.V)

Dimensions



Specification Information

Step 1.

BRLS. A

Step 2. Position

L left A

R right A

Step 3. Adjustability

A adjustable A

F fixed height A

Step 4. Electrical Cutout Type

D desk electrical cutout A

G desk top and workbase top electrical cutout A

Step 5. Desk Top Material Type

L laminate A

T formcoat® A

W veneer A

Step 6. Workbase Orientation

EE both ends finished - end/end A

EM left finished end - end/mid A

ME right finished end - mid/end A

MM both ends unfinished - mid/mid A

Step 7. Workbase Accessory Cutout

N no cutout A

S workbase screen cutout A

Step 8. Door Configuration

1 front doors A

3 alternating doors A

Step 9. Workbase Panel Material

M low-pressure laminate A

W veneer A

Prices for Steps 1-9.

			DLEEN1M	DLEEN1W	DLEEN3M	DLEEN3W	DLEES1M	DLEES1W
BRLS.	L	A	\$6595	7520	6595	7520	6595	7520
		F	\$5502	6427	5502	6427	5502	6427
	R	A	\$6595	7520	6595	7520	6595	7520
		F	\$5502	6427	5502	6427	5502	6427

			DLEES3M	DLEES3W	DLEMN1M	DLEMN1W	DLEMN3M	DLEMN3W
BRLS.	L	A	\$6595	7520	6485	7410	6485	7410
		F	\$5502	6427	5392	6317	5392	6317
R	A	A	\$6595	7520	6485	7410	6485	7410
		F	\$5502	6427	5392	6317	5392	6317

			DLEMS1M	DLEMS1W	DLEMS3M	DLEMS3W	DLMEN1M	DLMEN1W
BRLS.	L	A	\$6485	7410	6485	7410	6485	7410
		F	\$5392	6317	5392	6317	5392	6317
R	A	A	\$6485	7410	6485	7410	6485	7410
		F	\$5392	6317	5392	6317	5392	6317

			DLMEN3M	DLMEN3W	DLMES1M	DLMES1W	DLMES3M	DLMES3W
BRLS.	L	A	\$6485	7410	6485	7410	6485	7410
		F	\$5392	6317	5392	6317	5392	6317
R	A	A	\$6485	7410	6485	7410	6485	7410
		F	\$5392	6317	5392	6317	5392	6317

			DLMMN1M	DLMMN1W	DLMMN3M	DLMMN3W	DLMMS1M	DLMMS1W
BRLS.	L	A	\$6405	7330	6405	7330	6405	7330
		F	\$5312	6237	5312	6237	5312	6237
R	A	A	\$6405	7330	6405	7330	6405	7330
		F	\$5312	6237	5312	6237	5312	6237

			DLMMS3M	DLMMS3W	DTEEN1M	DTEEN1W	DTEEN3M	DTEEN3W
BRLS.	L	A	\$6405	7330	6715	7640	6715	7640
		F	\$5312	6237	5622	6547	5622	6547
R	A	A	\$6405	7330	6715	7640	6715	7640
		F	\$5312	6237	5622	6547	5622	6547

			DTEES1M	DTEES1W	DTEES3M	DTEES3W	DTEMN1M	DTEMN1W
BRLS.	L	A	\$6715	7640	6715	7640	6605	7530
		F	\$5622	6547	5622	6547	5512	6437
R	A	A	\$6715	7640	6715	7640	6605	7530
		F	\$5622	6547	5622	6547	5512	6437

			DTEMN3M	DTEMN3W	DTEMS1M	DTEMS1W	DTEMS3M	DTEMS3W
BRLS.	L	A	\$6605	7530	6605	7530	6605	7530
		F	\$5512	6437	5512	6437	5512	6437
R	A	A	\$6605	7530	6605	7530	6605	7530
		F	\$5512	6437	5512	6437	5512	6437

			DTEMN1M	DTEMN1W	DTMEN3M	DTMEN3W	DTMES1M	DTMES1W
BRLS.	L	A	\$6605	7530	6605	7530	6605	7530
		F	\$5512	6437	5512	6437	5512	6437
R	A	A	\$6605	7530	6605	7530	6605	7530
		F	\$5512	6437	5512	6437	5512	6437

			DTMES3M	DTMES3W	DTMMN1M	DTMMN1W	DTMMN3M	DTMMN3W
BRLS.	L	A	\$6605	7530	6525	7450	6525	7450
		F	\$5512	6437	5432	6357	5432	6357
R	A	A	\$6605	7530	6525	7450	6525	7450
		F	\$5512	6437	5432	6357	5432	6357

			DTMMS1M	DTMMS1W	DTMMS3M	DTMMS3W	DWEEN1M	DWEEN1W
BRLS.	L	A	\$6525	7450	6525	7450	7510	8435
		F	\$5432	6357	5432	6357	6417	7342
R	A	A	\$6525	7450	6525	7450	7510	8435
		F	\$5432	6357	5432	6357	6417	7342

			DWEEN3M	DWEEN3W	DWEES1M	DWEES1W	DWEES3M	DWEES3W
BRLS.	L	A	\$7510	8435	7510	8435	7510	8435
		F	\$6417	7342	6417	7342	6417	7342
R	A	A	\$7510	8435	7510	8435	7510	8435
		F	\$6417	7342	6417	7342	6417	7342

			DWEMN1M	DWEMN1W	DWEMN3M	DWEMN3W	DWEMS1M	DWEMS1W
BRLS.	L	A	\$7400	8325	7400	8325	7400	8325
		F	\$6307	7232	6307	7232	6307	7232
R	A	A	\$7400	8325	7400	8325	7400	8325
		F	\$6307	7232	6307	7232	6307	7232

			DWEMS3M	DWEMS3W	DWMEN1M	DWMEN1W	DWMEN3M	DWMEN3W
BRLS.	L	A	\$7400	8325	7400	8325	7400	8325
		F	\$6307	7232	6307	7232	6307	7232
R	A	A	\$7400	8325	7400	8325	7400	8325
		F	\$6307	7232	6307	7232	6307	7232

			DWMS1M	DWMS1W	DWMS3M	DWMS3W	DWMN1M	DWMN1W
BRLS.	L	A	\$7400	8325	7400	8325	7320	8245
		F	\$6307	7232	6307	7232	6227	7152
R	A	A	\$7400	8325	7400	8325	7320	8245
		F	\$6307	7232	6307	7232	6227	7152

			DWMN3M	DWMN3W	DWMS1M	DWMS1W	DWMS3M	DWMS3W
BRLS.	L	A	\$7320	8245	7320	8245	7320	8245
		F	\$6227	7152	6227	7152	6227	7152
R	A	A	\$7320	8245	7320	8245	7320	8245
		F	\$6227	7152	6227	7152	6227	7152

			GLEEN1M	GLEEN1W	GLEEN3M	GLEEN3W	GLEES1M	GLEES1W
BRLS.	L	A	\$6645	7570	6645	7570	6645	7570
		F	\$5552	6477	5552	6477	5552	6477
R	A	A	\$6645	7570	6645	7570	6645	7570
		F	\$5552	6477	5552	6477	5552	6477

			GLEES3M	GLEES3W	GLEMN1M	GLEMN1W	GLEMN3M	GLEMN3W
BRLS. L	A		\$6645	7570	6535	7460	6535	7460
	F		\$5552	6477	5442	6367	5442	6367
R	A		\$6645	7570	6535	7460	6535	7460
	F		\$5552	6477	5442	6367	5442	6367

			GLEMS1M	GLEMS1W	GLEMS3M	GLEMS3W	GLMEN1M	GLMEN1W
BRLS. L	A		\$6535	7460	6535	7460	6535	7460
	F		\$5442	6367	5442	6367	5442	6367
R	A		\$6535	7460	6535	7460	6535	7460
	F		\$5442	6367	5442	6367	5442	6367

			GLMEN3M	GLMEN3W	GLMES1M	GLMES1W	GLMES3M	GLMES3W
BRLS. L	A		\$6535	7460	6535	7460	6535	7460
	F		\$5442	6367	5442	6367	5442	6367
R	A		\$6535	7460	6535	7460	6535	7460
	F		\$5442	6367	5442	6367	5442	6367

			GLMMN1M	GLMMN1W	GLMMN3M	GLMMN3W	GLMMS1M	GLMMS1W
BRLS. L	A		\$6455	7380	6455	7380	6455	7380
	F		\$5362	6287	5362	6287	5362	6287
R	A		\$6455	7380	6455	7380	6455	7380
	F		\$5362	6287	5362	6287	5362	6287

			GLMMS3M	GLMMS3W	GTEEN1M	GTEEN1W	GTEEN3M	GTEEN3W
BRLS. L	A		\$6455	7380	6765	7690	6765	7690
	F		\$5362	6287	5672	6597	5672	6597
R	A		\$6455	7380	6765	7690	6765	7690
	F		\$5362	6287	5672	6597	5672	6597

			GTEES1M	GTEES1W	GTEES3M	GTEES3W	GTEMN1M	GTEMN1W
BRLS. L	A		\$6765	7690	6765	7690	6655	7580
	F		\$5672	6597	5672	6597	5562	6487
R	A		\$6765	7690	6765	7690	6655	7580
	F		\$5672	6597	5672	6597	5562	6487

			GTEMN3M	GTEMN3W	GTEMS1M	GTEMS1W	GTEMS3M	GTEMS3W
BRLS. L	A		\$6655	7580	6655	7580	6655	7580
	F		\$5562	6487	5562	6487	5562	6487
R	A		\$6655	7580	6655	7580	6655	7580
	F		\$5562	6487	5562	6487	5562	6487

			GTMEN1M	GTMEN1W	GTMEN3M	GTMEN3W	GTMES1M	GTMES1W
BRLS. L	A		\$6655	7580	6655	7580	6655	7580
	F		\$5562	6487	5562	6487	5562	6487
R	A		\$6655	7580	6655	7580	6655	7580
	F		\$5562	6487	5562	6487	5562	6487

			GTMES3M	GTMES3W	GTMMN1M	GTMMN1W	GTMMN3M	GTMMN3W
BRLS. L	A		\$6655	7580	6575	7500	6575	7500
	F		\$5562	6487	5482	6407	5482	6407
R	A		\$6655	7580	6575	7500	6575	7500
	F		\$5562	6487	5482	6407	5482	6407

			GTMMS1M	GTMMS1W	GTMMS3M	GTMMS3W	GWEEN1M	GWEEN1W
BRLS. L	A		\$6575	7500	6575	7500	7560	8485
	F		\$5482	6407	5482	6407	6467	7392
R	A		\$6575	7500	6575	7500	7560	8485
	F		\$5482	6407	5482	6407	6467	7392

			GWEEN3M	GWEEN3W	GWEES1M	GWEES1W	GWEES3M	GWEES3W
BRLS. L	A		\$7560	8485	7560	8485	7560	8485
	F		\$6467	7392	6467	7392	6467	7392
R	A		\$7560	8485	7560	8485	7560	8485
	F		\$6467	7392	6467	7392	6467	7392

			GWEMN1M	GWEMN1W	GWEMN3M	GWEMN3W	GWEMS1M	GWEMS1W
BRLS. L	A		\$7450	8375	7450	8375	7450	8375
	F		\$6357	7282	6357	7282	6357	7282
R	A		\$7450	8375	7450	8375	7450	8375
	F		\$6357	7282	6357	7282	6357	7282

			GWEMS3M	GWEMS3W	GWMMN1M	GWMMN1W	GWMMN3M	GWMMN3W
BRLS. L	A		\$7450	8375	7450	8375	7450	8375
	F		\$6357	7282	6357	7282	6357	7282
R	A		\$7450	8375	7450	8375	7450	8375
	F		\$6357	7282	6357	7282	6357	7282

			GWMS1M	GWMS1W	GWMS3M	GWMS3W	GWMMN1M	GWMMN1W
BRLS. L	A		\$7450	8375	7450	8375	7370	8295
	F		\$6357	7282	6357	7282	6277	7202
R	A		\$7450	8375	7450	8375	7370	8295
	F		\$6357	7282	6357	7282	6277	7202

			GWMMN3M	GWMMN3W	GWMS1M	GWMS1W	GWMS3M	GWMS3W
BRLS. L	A		\$7370	8295	7370	8295	7370	8295
	F		\$6277	7202	6277	7202	6277	7202
R	A		\$7370	8295	7370	8295	7370	8295
	F		\$6277	7202	6277	7202	6277	7202

Step 10. Desk Top Finish

For laminate (L)

8Q	folkstone grey <input type="checkbox"/>	+\$0
91	white <input type="checkbox"/>	+\$0
LBA	clear on ash <input type="checkbox"/>	+\$0
LBU	medium matte walnut <input type="checkbox"/>	+\$0
LBB	oak on ash <input type="checkbox"/>	+\$0
LBC	walnut on ash <input type="checkbox"/>	+\$0
LBF	neutral twill <input type="checkbox"/>	+\$0
LBG	sarum twill <input type="checkbox"/>	+\$0
LBH	earthen twill <input type="checkbox"/>	+\$0
LBJ	graphite twill <input type="checkbox"/>	+\$0
LBK	pewter mesh <input type="checkbox"/>	+\$0
LBL	steel mesh <input type="checkbox"/>	+\$0
LBM	crisp linen <input type="checkbox"/>	+\$0
LBN	classic linen <input type="checkbox"/>	+\$0
LBP	casual linen <input type="checkbox"/>	+\$0
LBQ	white twill <input type="checkbox"/>	+\$0

For formcoat® (T)

8Q	folkstone grey <input type="checkbox"/>	+\$0
91	white <input type="checkbox"/>	+\$0

For veneer (W)

ET	clear on ash <input type="checkbox"/>	+\$0
EU	oak on ash <input type="checkbox"/>	+\$0
EV	walnut on ash <input type="checkbox"/>	+\$0

Step 11. Desk Understructure Finish

8Q	folkstone grey <input type="checkbox"/>	+\$0
91	white <input type="checkbox"/>	+\$0
G1	graphite <input type="checkbox"/>	+\$0

Step 12. Workbase Top Finish

8Q	folkstone grey <input type="checkbox"/>	+\$0
91	white <input type="checkbox"/>	+\$0
G1	graphite <input type="checkbox"/>	+\$0

Step 13. Workbase Panel Finish

For low-pressure laminate (M)

8Q	folkstone grey <input type="checkbox"/>	+\$0
91	white <input type="checkbox"/>	+\$0
G1	graphite <input type="checkbox"/>	+\$0

For veneer (W)

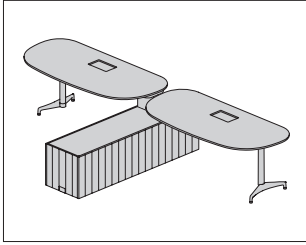
ET	clear on ash <input type="checkbox"/>	+\$0
EU	oak on ash <input type="checkbox"/>	+\$0
EV	walnut on ash <input type="checkbox"/>	+\$0

Step 14. Workbase Storage Option

AJS	adjustable shelf <input type="checkbox"/>	+\$0
------------	---	------

L-Desk Double

BRLD.



Product Information

Description

This L-desk double provides 2 individual work stations with enclosed storage. The desks are oriented perpendicular to the Workbase. The unit is freestanding or can be connected end to end with other Locale® modules.

The Workbase has enclosed storage that can be accessed from both sides. It has 2" (51mm) leveling glides and contains 2 storage compartments, 1 accessible by each user. Each storage compartment has an adjustable shelf and a removable bottom shelf for access to power and data raceway. Doors have a push latch. The grooved panel exterior minimizes the appearance of individual doors. The panels are available in laminate or veneer. The Workbase top is 1/2" (13mm) thick, available in laminate.

The Workbase is nonpowered. Modular power blocks, harnesses and receptacles must be ordered separately to power the unit and pass power to connecting modules. Hardwire options are available. A power pass-through cutout is on either end of the Workbase. Finished ends include a cutout cover.

The desk surface is supported by a column, specified at either end of the Workbase. It has a single outboard leg.

The desk is specified as fixed height at 29" (736mm) high, or height adjustable. The adjustable desk has electrical height adjustment with an included control lever that can be mounted on the left or right. Desk surface height range is 25" (635mm) to 49" (1244mm). Desk is 3/4" (19mm) thick and available in squared edge laminate or veneer, or thin edge Formcoat®. Desk surface has a cutout for user power components which must be ordered separately. Cable management trays are included. Tray finishes match desk understructure finish. A through-mount hole with grommet cover is provided on the desk surface for monitor arm support.

Notes

Exposed end of Workbase must be finished. Unfinished ends have predrilled holes for connecting units together. Specify correct option based on Workbase orientation and number of modules connecting together. Connecting hardware included.

The wood grain for veneer Workbase panels is vertical.

For laminate (M) Workbase, interior finish matches exterior finish. For veneer (W) Workbase, interior finish matches the Workbase top finish. Finished end cutout covers for laminate (M) Workbase match the Workbase finish. For veneer (W) Workbase, finished end cutout covers match the Workbase top finish.

During installation, power and data cables are routed through the desk column from the Workbase to the cable management tray. Workbase panels in front of column are removable for access.

Recommend Flo® single-screen monitor arm support with Locale through surface mount attachment bracket (Y91171.LOC), ordered separately.

Monitor arms must be compatible with 3/4" (19mm) thick surfaces.

When specifying Workbase screen (BRWBS.), specify Workbase accessory cutout (S) to match.

For Workbases with locks, and for electrical access at the Workbase top, contact Options.

See Planning Guide for configurations and desk edge detail.

For laminate (L) desk top material, edge and grommet colors are predetermined:

Laminate—Edgeband Color—Monitor Hole Grommet Cover Color

Neutral Twill (LBF)—Sandstone (WL)—White (G1)

Sarum Twill (LBG)—Folkstone Grey (8Q)—Folkstone Grey (8Q)

Earthen Twill (LBH)—Medium Tone (MT)—Graphite (G2)

Graphite Twill (LBJ)—Medium Tone (MT)—Graphite (G2)

White Twill (LBQ)—White (G1)—White (G1)

Pewter Mesh (LBK)—Warm Grey Neutral (WN)—Graphite (G2)

Steel Mesh (LBL)—Slate Grey (SG)—Graphite (G2)

Crisp Linen (LBM)—Folkstone Grey (8Q)—Folkstone Grey (8Q)

Classic Linen (LBN)—Sandstone (WL)—White (G1)

Casual Linen (LBP)—Warm Grey Neutral (WN)—Graphite (G2)

Clear on Ash (LBA)—White (G1)—White (G1)

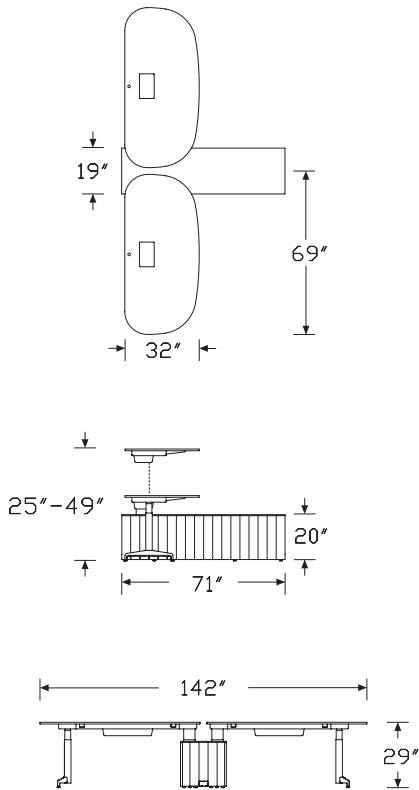
Oak on Ash (LBB)—Medium Tone (MT)—Graphite (G2)

Walnut on Ash (LBC)—Medium Tone (MT)—Graphite (G2)

Order these products separately:

- Power entry (BRE01. or BRE02.)
- Power block (BRE03.)
- Power duplex (BRE04.)
- Power jumper (BRE05.)
- Modular receptacle (BRE06.)
- Workbase screen (BRWBS.)
- L-desk screen (BRLDS.)
- Bench cushion (BRBC.)
- Logic G1000 desktop power grommet (Y1425.C or Y1425.F) with plug end power cord option (A) or Logic G1200 nonpowered grommet pass thru (Y1420.V)

Dimensions



Specification Information

Step 1.

BRLD. A

Step 2. Adjustability

A adjustable A
F fixed height A

Step 3. Electrical Cutout Type

D desk electrical cutout A

Step 4. Desk Top Material Type

L laminate A
T formcoat® A
W veneer A

Step 5. Workbase Orientation

EE both ends finished - end/end A
DM desk end finished - end/mid A
ED opposite desk end finished - mid/end A
MM both ends unfinished - mid/mid A

Step 6. Workbase Accessory Cutout

N no cutout A
S workbase screen cutout A

Step 7. Workbase Panel Material

M low-pressure laminate A
W veneer A

Prices for Steps 1-7.

			LEENM	LEENW	LEESM	LEESW	LDMNM	LDMNW
BRLD.	A	D	\$10410	11330	10410	11330	10300	11220
	F	D	\$8224	9144	8224	9144	8114	9034

			LDSM	LDSMW	LEDNM	LEDNW	LEDSM	LEDSW
BRLD.	A	D	\$10300	11220	10300	11220	10300	11220
	F	D	\$8114	9034	8114	9034	8114	9034

			LMMNM	LMMNW	LMSM	LMSW	TEENM	TEENW
BRLD.	A	D	\$10220	11140	10220	11140	10650	11570
	F	D	\$8034	8954	8034	8954	8464	9384

			TEESM	TEESW	TDMNM	TDMNW	TDSM	TDSW
BRLD.	A	D	\$10650	11570	10540	11460	10540	11460
	F	D	\$8464	9384	8354	9274	8354	9274

L-Desk Double *continued*

		TEDNM	TEDNW	TEDSM	TEDSW	TMMNM	TMMNW
BRLD.	A D	\$10540	11460	10540	11460	10460	11380
	F D	\$8354	9274	8354	9274	8274	9194

		TMMSM	TMMSW	WEENM	WEENW	WEESM	WEESW
BRLD.	A D	\$10460	11380	12240	13160	12240	13160
	F D	\$8274	9194	10054	10974	10054	10974

		WDMNM	WDMNW	WDMSM	WDMSW	WEDNM	WEDNW
BRLD.	A D	\$12130	13050	12130	13050	12130	13050
	F D	\$9944	10864	9944	10864	9944	10864

		WEDSM	WEDSW	WMMNM	WMMNW	WMMSM	WMMSW
BRLD.	A D	\$12130	13050	12050	12970	12050	12970
	F D	\$9944	10864	9864	10784	9864	10784

Step 8. Desk Top Finish

For laminate (L)

8Q	folkstone grey <input type="checkbox"/>	+\$0
91	white <input type="checkbox"/>	+\$0
LBA	clear on ash <input type="checkbox"/>	+\$0
LBU	medium matte walnut <input type="checkbox"/>	+\$0
LBB	oak on ash <input type="checkbox"/>	+\$0
LBC	walnut on ash <input type="checkbox"/>	+\$0
LBF	neutral twill <input type="checkbox"/>	+\$0
LBG	sarum twill <input type="checkbox"/>	+\$0
LBH	earthen twill <input type="checkbox"/>	+\$0
LBJ	graphite twill <input type="checkbox"/>	+\$0
LBK	pewter mesh <input type="checkbox"/>	+\$0
LBL	steel mesh <input type="checkbox"/>	+\$0
LBM	crisp linen <input type="checkbox"/>	+\$0
LBN	classic linen <input type="checkbox"/>	+\$0
LBP	casual linen <input type="checkbox"/>	+\$0
LBQ	white twill <input type="checkbox"/>	+\$0

For formcoat® (T)

8Q	folkstone grey <input type="checkbox"/>	+\$0
91	white <input type="checkbox"/>	+\$0

For veneer (W)

ET	clear on ash <input type="checkbox"/>	+\$0
EU	oak on ash <input type="checkbox"/>	+\$0
EV	walnut on ash <input type="checkbox"/>	+\$0

Step 9. Desk Understructure Finish

8Q	folkstone grey <input type="checkbox"/>	+\$0
91	white <input type="checkbox"/>	+\$0
G1	graphite <input type="checkbox"/>	+\$0

Step 10. Workbase Top Finish

8Q	folkstone grey <input type="checkbox"/>	+\$0
91	white <input type="checkbox"/>	+\$0
G1	graphite <input type="checkbox"/>	+\$0

Step 11. Workbase Panel Finish

For low-pressure laminate (M)

8Q	folkstone grey <input type="checkbox"/>	+\$0
91	white <input type="checkbox"/>	+\$0
G1	graphite <input type="checkbox"/>	+\$0

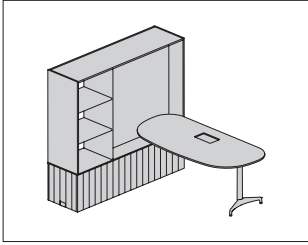
For veneer (W)

ET	clear on ash <input type="checkbox"/>	+\$0
EU	oak on ash <input type="checkbox"/>	+\$0
EV	walnut on ash <input type="checkbox"/>	+\$0

Step 12. Workbase Storage Option

AJS	adjustable shelf <input type="checkbox"/>	+\$0
------------	---	------

L-Desk Single with Partial Display BRLSP.



Product Information

Description

This L-desk single with partial display is an individual work station with both open and enclosed storage and display that can be accessed from both sides. The desk is oriented perpendicular to the Workbase. It is freestanding or can be connected end to end with other Locale® modules.

The Workbase has enclosed storage that can be accessed from both sides. It has 2" (51mm) leveling glides and contains 2 storage compartments, each with an adjustable shelf and a removable bottom shelf for access to power and data raceway. Doors have a push latch. The grooved panel exterior minimizes the appearance of individual doors. The panels are available in laminate or veneer. The Workbase top is 1/2" (13mm) thick, available in laminate.

The Workbase is nonpowered. Modular power blocks, harnesses and receptacles must be ordered separately to power the unit and pass power to connecting modules. Hardwire options are available. A power pass-through cutout is on either end of the Workbase. Finished ends include a cutout cover. An optional Workbase top power access cutout with square grommet is available opposite the desk column. This option provides power routing to inside the Workbase for components located opposite the desk.

The desk surface is supported by a column, specified at either end of the Workbase. It has a single outboard leg.

The desk is specified as fixed height at 29" (736mm) high, or height adjustable. The adjustable desk has electrical height adjustment with an included control lever that can be mounted on the left or right. Desk surface height range is 25" (635mm) to 49" (1244mm). Desk is 3/4" (19mm) thick and available in squared edge laminate or veneer, or thin edge Formcoat®. Desk surface has a cutout for user power components which must be ordered separately. Cable management tray included. Tray finish matches desk understructure finish. A through-mount hole with grommet cover is provided on the desk surface for monitor arm support.

The partial display unit is divided into 2 vertical sections and is handed with the display oriented on the desk end of the Workbase. The large display section has a center dividing panel and can hold a tackboard on either side. The smaller section has 3 fixed open shelves. The unit is available in laminate.

Notes

Mounting a monitor on the partial display is not recommended and will interfere with height adjustability.

Exposed end of Workbase must be finished. Unfinished ends have predrilled holes for connecting units together. Specify correct option based on Workbase orientation and number of modules connecting together. Specify desk and finished ends based on the user's side desk located on the left or right of the Workbase. The dimensional illustration below shows a left oriented desk. Connecting hardware included.

Door swings can be specified to accommodate storage access direction. Choose the appropriate door swing based on desk orientation. See Planning Guide for more details.

The wood grain for veneer Workbase panels is vertical.

For laminate (M) Workbase, the interior finish matches exterior finish.

For veneer (W) Workbase, the interior finish matches the laminate display finish.

Finished end cutout covers for laminate (M) Workbase match the Workbase finish. For veneer (W) Workbase, finished end cutout covers match the laminate display finish.

During installation, power and data cables are routed through the desk column from the Workbase to the cable management tray. Workbase panels in front of column are removable for access.

Recommend Flo® single-screen monitor arm support with Locale through surface mount attachment bracket (Y91171.LOC), ordered separately.

Monitor arms must be compatible with 3/4" (19mm) thick surfaces.

For Workbases with locks, contact Options.

See Planning Guide for configurations and desk edge detail.

For laminate (L) desk top material, edge and grommet colors are predetermined:

Laminate—Edgeband Color—Monitor Hole Grommet Cover Color

Neutral Twill (LBF)—Sandstone (WL)—White (g1)

Sarum Twill (LBG)—Folkstone Grey (8Q)—Folkstone Grey (8Q)

Earthen Twill (LBH)—Medium Tone (MT)—Graphite (G2)

Graphite Twill (LBJ)—Medium Tone (MT)—Graphite (G2)

White Twill (LBQ)—White (g1)—White (g1)

Pewter Mesh (LBK)—Warm Grey Neutral (WN)—Graphite (G2)

Steel Mesh (LBL)—Slate Grey (SG)—Graphite (G2)

Crisp Linen (LBM)—Folkstone Grey (8Q)—Folkstone Grey (8Q)

Classic Linen (LBN)—Sandstone (WL)—White (g1)

Casual Linen (LBP)—Warm Grey Neutral (WN)—Graphite (G2)

Clear on Ash (LBA)—White (g1)—White (g1)

Oak on Ash (LBB)—Medium Tone (MT)—Graphite (G2)

Walnut on Ash (LBC)—Medium Tone (MT)—Graphite (G2)

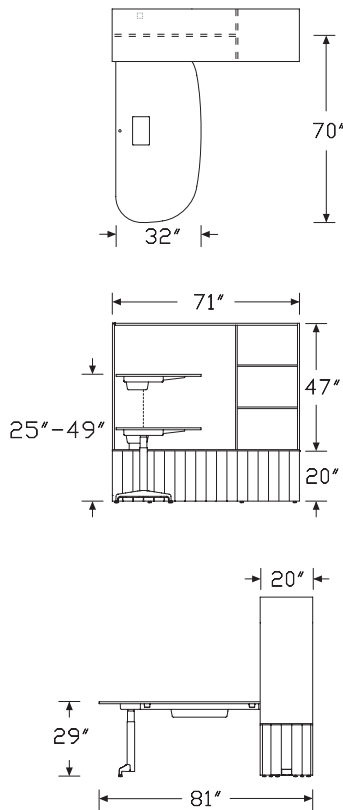
L-Desk Single with Partial Display

continued

Order these products separately:

- Power entry (BRE01. or BRE02.)
- Power block (BRE03.)
- Power duplex (BRE04.)
- Power jumper (BRE05.)
- Modular receptacle (BRE06.)
- Display tackboard (BRTB.)
- L-desk screen (BRLDS.)
- Logic G1000 desktop power grommet (Y1425.C or Y1425.F) with plug end power cord option (A) or Logic G1200 nonpowered grommet pass thru (Y1420.V)

Dimensions



Specification Information

Step 1.

BRLSP. A

Step 2. Position

L left A

R right A

Step 3. Adjustability

A adjustable A

F fixed height A

Step 4. Electrical Cutout Type

D desk electrical cutout A

G desk top and workbase top electrical cutout A

Step 5. Desk Top Material Type

L laminate A

T formcoat® A

W veneer A

Step 6. Workbase Orientation

EE both ends finished - end/end A

EM left finished end - end/mid A

ME right finished end - mid/end A

MM both ends unfinished - mid/mid A

Step 7. Door Configuration

1 front doors A

3 alternating doors A

Step 8. Workbase Panel Material

M low-pressure laminate A

W veneer A

Step 9. Upper Display Material

For low-pressure laminate (M)

M low-pressure laminate A

For veneer (W)

M low-pressure laminate A

Prices for Steps 1-9.

		DLEE1MM	DLEE1WM	DLEE3MM	DLEE3WM	DLEM1MM	DLEM1WM
BRLSP. L	A	\$8955	9880	8955	9880	8845	9770
	F	\$7862	8787	7862	8787	7752	8677

L-Desk Single with Partial Display

continued

Locale® Deskling

	R	A	\$8955	9880	8955	9880	8845	9770
		F	\$7862	8787	7862	8787	7752	8677
			DLEM3MM	DLEM3WM	DLME1MM	DLME1WM	DLME3MM	DLME3WM
BRLSP. L	A		\$8845	9770	8845	9770	8845	9770
		F	\$7752	8677	7752	8677	7752	8677
	R	A	\$8845	9770	8845	9770	8845	9770
		F	\$7752	8677	7752	8677	7752	8677
			DLMM1MM	DLMM1WM	DLMM3MM	DLMM3WM	DTEE1MM	DTEE1WM
BRLSP. L	A		\$8765	9690	8765	9690	9075	10000
		F	\$7672	8597	7672	8597	7982	8907
	R	A	\$8765	9690	8765	9690	9075	10000
		F	\$7672	8597	7672	8597	7982	8907
			DTEE3MM	DTEE3WM	DTEM1MM	DTEM1WM	DTEM3MM	DTEM3WM
BRLSP. L	A		\$9075	10000	8965	9890	8965	9890
		F	\$7982	8907	7872	8797	7872	8797
	R	A	\$9075	10000	8965	9890	8965	9890
		F	\$7982	8907	7872	8797	7872	8797
			DTME1MM	DTME1WM	DTME3MM	DTME3WM	DTMM1MM	DTMM1WM
BRLSP. L	A		\$8965	9890	8965	9890	8885	9810
		F	\$7872	8797	7872	8797	7792	8717
	R	A	\$8965	9890	8965	9890	8885	9810
		F	\$7872	8797	7872	8797	7792	8717
			DTMM3MM	DTMM3WM	DWEE1MM	DWEE1WM	DWEE3MM	DWEE3WM
BRLSP. L	A		\$8885	9810	9870	10795	9870	10795
		F	\$7792	8717	8777	9702	8777	9702
	R	A	\$8885	9810	9870	10795	9870	10795
		F	\$7792	8717	8777	9702	8777	9702
			DWEM1MM	DWEM1WM	DWEM3MM	DWEM3WM	DWME1MM	DWME1WM
BRLSP. L	A		\$9760	10685	9760	10685	9760	10685
		F	\$8667	9592	8667	9592	8667	9592
	R	A	\$9760	10685	9760	10685	9760	10685
		F	\$8667	9592	8667	9592	8667	9592
			DWME3MM	DWME3WM	DWMM1MM	DWMM1WM	DWMM3MM	DWMM3WM
BRLSP. L	A		\$9760	10685	9680	10605	9680	10605
		F	\$8667	9592	8587	9512	8587	9512
	R	A	\$9760	10685	9680	10605	9680	10605
		F	\$8667	9592	8587	9512	8587	9512

			GLEE1MM	GLEE1WM	GLEE3MM	GLEE3WM	GLEM1MM	GLEM1WM
BRLSP. L	A		\$9005	9930	9005	9930	8895	9820
		F	\$7912	8837	7912	8837	7802	8727
	R	A	\$9005	9930	9005	9930	8895	9820
		F	\$7912	8837	7912	8837	7802	8727
			GLEM3MM	GLEM3WM	GLME1MM	GLME1WM	GLME3MM	GLME3WM
BRLSP. L	A		\$8895	9820	8895	9820	8895	9820
		F	\$7802	8727	7802	8727	7802	8727
	R	A	\$8895	9820	8895	9820	8895	9820
		F	\$7802	8727	7802	8727	7802	8727
			GLMM1MM	GLMM1WM	GLMM3MM	GLMM3WM	GTEE1MM	GTEE1WM
BRLSP. L	A		\$8815	9740	8815	9740	9125	10050
		F	\$7722	8647	7722	8647	8032	8957
	R	A	\$8815	9740	8815	9740	9125	10050
		F	\$7722	8647	7722	8647	8032	8957
			GTEE3MM	GTEE3WM	GTEM1MM	GTEM1WM	GTEM3MM	GTEM3WM
BRLSP. L	A		\$9125	10050	9015	9940	9015	9940
		F	\$8032	8957	7922	8847	7922	8847
	R	A	\$9125	10050	9015	9940	9015	9940
		F	\$8032	8957	7922	8847	7922	8847
			GTME1MM	GTME1WM	GTME3MM	GTME3WM	GTMM1MM	GTMM1WM
BRLSP. L	A		\$9015	9940	9015	9940	8935	9860
		F	\$7922	8847	7922	8847	7842	8767
	R	A	\$9015	9940	9015	9940	8935	9860
		F	\$7922	8847	7922	8847	7842	8767
			GTMM3MM	GTMM3WM	GWEE1MM	GWEE1WM	GWEE3MM	GWEE3WM
BRLSP. L	A		\$8935	9860	9920	10845	9920	10845
		F	\$7842	8767	8827	9752	8827	9752
	R	A	\$8935	9860	9920	10845	9920	10845
		F	\$7842	8767	8827	9752	8827	9752
			GWEM1MM	GWEM1WM	GWEM3MM	GWEM3WM	GWME1MM	GWME1WM
BRLSP. L	A		\$9810	10735	9810	10735	9810	10735
		F	\$8717	9642	8717	9642	8717	9642
	R	A	\$9810	10735	9810	10735	9810	10735
		F	\$8717	9642	8717	9642	8717	9642
			GWME3MM	GWME3WM	GWMM1MM	GWMM1WM	GWMM3MM	GWMM3WM
BRLSP. L	A		\$9810	10735	9730	10655	9730	10655
		F	\$8717	9642	8637	9562	8637	9562
	R	A	\$9810	10735	9730	10655	9730	10655
		F	\$8717	9642	8637	9562	8637	9562

L-Desk Single with Partial Display

continued

Step 10. Desk Top Finish

For laminate (L)

8Q	folkstone grey <input type="checkbox"/>	+\$0
91	white <input type="checkbox"/>	+\$0
LBA	clear on ash <input type="checkbox"/>	+\$0
LBU	medium matte walnut <input type="checkbox"/>	+\$0
LBB	oak on ash <input type="checkbox"/>	+\$0
LBC	walnut on ash <input type="checkbox"/>	+\$0
LBF	neutral twill <input type="checkbox"/>	+\$0
LBG	sarum twill <input type="checkbox"/>	+\$0
LBH	earthen twill <input type="checkbox"/>	+\$0
LBJ	graphite twill <input type="checkbox"/>	+\$0
LBK	pewter mesh <input type="checkbox"/>	+\$0
LBL	steel mesh <input type="checkbox"/>	+\$0
LBM	crisp linen <input type="checkbox"/>	+\$0
LBN	classic linen <input type="checkbox"/>	+\$0
LBP	casual linen <input type="checkbox"/>	+\$0
LBQ	white twill <input type="checkbox"/>	+\$0

For formcoat® (T)

8Q	folkstone grey <input type="checkbox"/>	+\$0
91	white <input type="checkbox"/>	+\$0

For veneer (W)

ET	clear on ash <input type="checkbox"/>	+\$0
EU	oak on ash <input type="checkbox"/>	+\$0
EV	walnut on ash <input type="checkbox"/>	+\$0

Step 11. Desk Understructure Finish

8Q	folkstone grey <input type="checkbox"/>	+\$0
91	white <input type="checkbox"/>	+\$0
G1	graphite <input type="checkbox"/>	+\$0

Step 12. Workbase Panel Finish

For low-pressure laminate (M)

8Q	folkstone grey <input type="checkbox"/>	+\$0
91	white <input type="checkbox"/>	+\$0
G1	graphite <input type="checkbox"/>	+\$0

For veneer (W)

ET	clear on ash <input type="checkbox"/>	+\$0
EU	oak on ash <input type="checkbox"/>	+\$0
EV	walnut on ash <input type="checkbox"/>	+\$0

Step 13. Workbase Storage Option

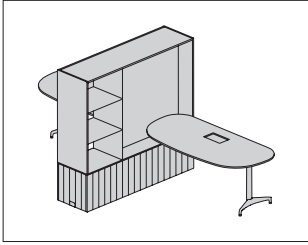
AJS	adjustable shelf <input type="checkbox"/>	+\$0
------------	---	------

Step 14. Upper Display Finish

8Q	folkstone grey <input type="checkbox"/>	+\$0
91	white <input type="checkbox"/>	+\$0
G1	graphite <input type="checkbox"/>	+\$0

L-Desk Double with Partial Display

BRLDP.



Locale® Desk

Product Information

Description

This L-desk double with partial display is 2 individual work stations with both open and enclosed storage and display that can be accessed from both sides. The desks are oriented perpendicular to the Workbase. The unit is freestanding or can be connected end to end with other Locale® modules.

The Workbase provides enclosed storage that can be accessed from both sides. It has 2" (51mm) leveling glides and contains 2 storage compartments, 1 accessible by each user. Each storage compartment has an adjustable shelf and a removable bottom shelf for access to power and data raceway. Doors have a push latch. The grooved panel exterior minimizes the appearance of individual doors. It is available in laminate or veneer. The Workbase top is 1/2" (13mm) thick, available in laminate.

The Workbase is nonpowered. Modular power blocks, harnesses and receptacles must be ordered separately to power the unit and pass power to connecting modules. Hardwire options are available. A power pass-through cutout is on either end of the Workbase. Finished ends include a cutout cover.

The desk surfaces are supported by columns on one end of the Workbase. Each has a single outboard leg.

The desk is specified as fixed height at 29" (736mm) high, or height adjustable. The adjustable desk has electrical height adjustment with an included control lever that can be mounted on the left or right. Desk surface height range is 25" (635mm) to 49" (1244mm). Desk is 3/4" (19mm) thick and available in squared edge laminate or veneer, or thin edge Formcoat®. Desk surface has a cutout for user power components which must be ordered separately. Cable management trays are included. Tray finishes match desk understructure finish. A through-mount hole with grommet cover is provided on the desk surface for monitor arm support.

The partial display unit is divided into 2 vertical sections and is handed with the display oriented at the desk. The large display section has a center dividing panel and can hold a tackboard on either side. The smaller section has 3 fixed open shelves. The unit is available in laminate.

Notes

Mounting a monitor on the partial display is not recommended and will interfere with height adjustability.

Exposed end of Workbase must be finished. Unfinished ends have predrilled holes for connecting units together. Specify correct option based on Workbase orientation and number of modules connecting together. Connecting hardware included.

The wood grain for veneer Workbase panels is vertical.

For laminate (M) Workbase, interior finish matches exterior finish. For veneer (W) Workbase, interior finish matches the Workbase top finish. Finished end cutout covers for laminate (M) Workbase match the Workbase finish. For veneer (W) Workbase, finished end cutout covers match the Workbase top finish.

During installation, power and data cables are routed through the desk column from the Workbase to the cable management tray. Workbase panels in front of column are removable for access.

Recommend Flo® single-screen monitor arm support with Locale through surface mount attachment bracket (Y91171.LOC), ordered separately.

Monitor arms must be compatible with 3/4" (19mm) thick surfaces.

For Workbases with locks, and for electrical access at the Workbase top, contact Options.

See Planning Guide for configurations and desk edge detail.

For laminate (L) desk top material, edge and grommet colors are predetermined:

Laminate—Edgeband Color—Monitor Hole Grommet Cover Color

Neutral Twill (LBF)—Sandstone (WL)—White (g1)

Sarum Twill (LBG)—Folkstone Grey (8Q)—Folkstone Grey (8Q)

Earthen Twill (LBH)—Medium Tone (MT)—Graphite (G2)

Graphite Twill (LBJ)—Medium Tone (MT)—Graphite (G2)

White Twill (LBQ)—White (g1)—White (g1)

Pewter Mesh (LBK)—Warm Grey Neutral (WN)—Graphite (G2)

Steel Mesh (LBL)—Slate Grey (SG)—Graphite (G2)

Crisp Linen (LBM)—Folkstone Grey (8Q)—Folkstone Grey (8Q)

Classic Linen (LBN)—Sandstone (WL)—White (g1)

Casual Linen (LBP)—Warm Grey Neutral (WN)—Graphite (G2)

Clear on Ash (LBA)—White (g1)—White (g1)

Oak on Ash (LBB)—Medium Tone (MT)—Graphite (G2)

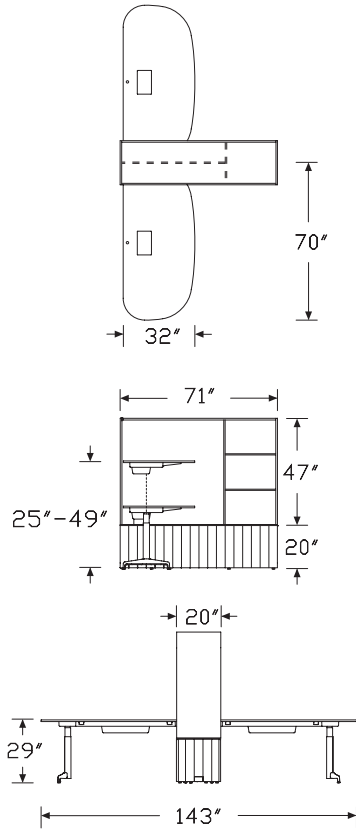
Walnut on Ash (LBC)—Medium Tone (MT)—Graphite (G2)

Order these products separately:

- Power entry (BRE01. or BRE02.)
- Power block (BRE03.)
- Power duplex (BRE04.)
- Power jumper (BRE05.)
- Modular receptacle (BRE06.)
- Display tackboard (BRTB.)
- L-desk screen (BRLDS.)
- Logic G1000 desktop power grommet (Y1425.C or Y1425.F) with plug end power cord option (A) or Logic G1200 nonpowered grommet pass thru (Y1420.V)

L-Desk Double with Partial Display *continued*

Dimensions



Specification Information

Step 1.

BRLDP. A

Step 2. Adjustability

A adjustable A
F fixed height A

Step 3. Electrical Cutout Type

D desk electrical cutout A

Step 4. Desk Top Material Type

L laminate A
T formcoat® A
W veneer A

Step 5. Workbase Orientation

EE both ends finished - end/end A
DM desk end finished - end/mid A
ED opposite desk end finished - mid/end A
MM both ends unfinished - mid/mid A

Step 6. Workbase Panel Material

M low-pressure laminate A
W veneer A

Step 7. Upper Display Material

For low-pressure laminate (M)

M low-pressure laminate A

For veneer (W)

M low-pressure laminate A

Prices for Steps 1-7.

	LEEMM	LEEWM	LDMMM	LDMWM	LEDMM	LEDWM
BRLDP. A D	\$12770	13665	12660	13555	12660	13555
F D	\$10584	11479	10474	11369	10474	11369
	LMMMM	LMMWM	TEEMM	TEEWM	TMMMM	TMMWM
BRLDP. A D	\$12580	13475	13010	13905	12900	13795
F D	\$10394	11289	10824	11719	10714	11609
	TEDMM	TEDWM	TMMMM	TMMWM	WEEMM	WEEWM
BRLDP. A D	\$12900	13795	12820	13715	14600	15495
F D	\$10714	11609	10634	11529	12414	13309

L-Desk Double with Partial Display *continued*

		WMMMM	WDMWM	WEDMM	WEDWM	WMMMM	WMMWM
BRLDP. A D		\$14490	15385	14490	15385	14410	15305
F D		\$12304	13199	12304	13199	12224	13119

Step 8. Desk Top Finish

For laminate (L)

8Q	folkstone grey <input type="checkbox"/>	+\$0
91	white <input type="checkbox"/>	+\$0
LBA	clear on ash <input type="checkbox"/>	+\$0
LBU	medium matte walnut <input type="checkbox"/>	+\$0
LBB	oak on ash <input type="checkbox"/>	+\$0
LBC	walnut on ash <input type="checkbox"/>	+\$0
LBF	neutral twill <input type="checkbox"/>	+\$0
LBG	sarum twill <input type="checkbox"/>	+\$0
LBH	earthen twill <input type="checkbox"/>	+\$0
LBJ	graphite twill <input type="checkbox"/>	+\$0
LBK	pewter mesh <input type="checkbox"/>	+\$0
LBL	steel mesh <input type="checkbox"/>	+\$0
LBM	crisp linen <input type="checkbox"/>	+\$0
LBN	classic linen <input type="checkbox"/>	+\$0
LBP	casual linen <input type="checkbox"/>	+\$0
LBQ	white twill <input type="checkbox"/>	+\$0

For formcoat® (T)

8Q	folkstone grey <input type="checkbox"/>	+\$0
91	white <input type="checkbox"/>	+\$0

For veneer (W)

ET	clear on ash <input type="checkbox"/>	+\$0
EU	oak on ash <input type="checkbox"/>	+\$0
EV	walnut on ash <input type="checkbox"/>	+\$0

Step 9. Desk Understructure Finish

8Q	folkstone grey <input type="checkbox"/>	+\$0
91	white <input type="checkbox"/>	+\$0
G1	graphite <input type="checkbox"/>	+\$0

Step 10. Workbase Panel Finish

For low-pressure laminate (M)

8Q	folkstone grey <input type="checkbox"/>	+\$0
91	white <input type="checkbox"/>	+\$0
G1	graphite <input type="checkbox"/>	+\$0

For veneer (W)

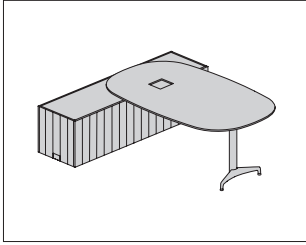
ET	clear on ash <input type="checkbox"/>	+\$0
EU	oak on ash <input type="checkbox"/>	+\$0
EV	walnut on ash <input type="checkbox"/>	+\$0

Step 11. Workbase Storage Option

AJS	adjustable shelf <input type="checkbox"/>	+\$0
------------	---	------

Step 12. Upper Display Finish

8Q	folkstone grey <input type="checkbox"/>	+\$0
91	white <input type="checkbox"/>	+\$0
G1	graphite <input type="checkbox"/>	+\$0



Product Information

Description

This T-peninsula single is a small group or individual work station with enclosed storage that can be accessed from both sides. The peninsula is centered on, and oriented perpendicular to the Workbase. It is freestanding or can be connected end to end with other Locale® modules.

The Workbase has enclosed storage that can be accessed from both sides. It has 2" (51mm) leveling glides and contains 2 storage compartments, each with an adjustable shelf and a removable bottom shelf for access to power and data raceway. Doors have a push latch. The grooved panel exterior minimizes the appearance of individual doors. The panels are available in laminate or veneer. The Workbase top is 1/2" (13mm) thick, available in laminate.

The Workbase is nonpowered. Modular power blocks, harnesses and receptacles must be ordered separately to power the unit and pass power to connecting modules. Hardwire options are available. A power pass-through cutout is on either end of the Workbase. Finished ends include a cutout cover. An optional Workbase top power access cutout with square grommet is available opposite the peninsula column. This option provides power routing to inside the Workbase for components located opposite the peninsula.

The peninsula surface is supported by a column centered on the Workbase. It has a single outboard leg.

The peninsula is specified as fixed height at 29" (736mm) high, or height adjustable. The adjustable peninsula has electrical height adjustment with an included control lever that can be mounted on the left or right. Peninsula surface height range is 25" (635mm) to 49" (1244mm). Peninsula is 3/4" (19mm) thick and is available in squared edge laminate or veneer, or thin edge Formcoat®. Peninsula surface has a cutout for user power components which must be ordered separately. Cable management tray included. Tray finish matches peninsula understructure finish. A through-mount hole with grommet cover is provided on each peninsula surface for monitor arm support.

Notes

Exposed end of Workbase must be finished. Unfinished ends have predrilled holes for connecting units together. Specify correct option based on Workbase orientation and number of modules connecting together. Left and right specification is defined from the peninsula side of the Workbase. Connecting hardware included.

Door swings can be specified to accommodate storage access direction. Choose the appropriate door swing based on desk orientation. See Planning Guide for more details.

The wood grain for veneer Workbase panels is vertical.

For laminate (M) Workbase, the interior finish matches exterior finish. For veneer (W) Workbase, the interior finish matches the Workbase top finish.

Finished end cutout covers for laminate (M) Workbase match the Workbase finish. For veneer (W) Workbase, finished end cutout covers match the Workbase top finish.

During installation, power and data cables are routed through the peninsula column from the Workbase to the cable management tray.

Workbase panels in front of column are removable for access.

Recommend Flo® single-screen monitor arm support with Locale through surface mount attachment bracket (Y91171.LOC), ordered separately.

Monitor arms must be compatible with 3/4" (19mm) thick surfaces.

When specifying Workbase screen (BRWBS.), specify Workbase accessory cutout (S) to match.

For Workbases with locks, contact Options.

See Planning Guide for configurations and desk edge detail.

For laminate (L) desk top material, edge and grommet colors are predetermined:

Laminate—Edgeband Color—Monitor Hole Grommet Cover Color

Neutral Twill (LBF)—Sandstone (WL)—White (G1)

Sarum Twill (LBG)—Folkstone Grey (8Q)—Folkstone Grey (8Q)

Earthen Twill (LBH)—Medium Tone (MT)—Graphite (G2)

Graphite Twill (LBJ)—Medium Tone (MT)—Graphite (G2)

White Twill (LBQ)—White (G1)—White (G1)

Pewter Mesh (LBK)—Warm Grey Neutral (WN)—Graphite (G2)

Steel Mesh (LBL)—Slate Grey (SG)—Graphite (G2)

Crisp Linen (LBM)—Folkstone Grey (8Q)—Folkstone Grey (8Q)

Classic Linen (LBN)—Sandstone (WL)—White (G1)

Casual Linen (LBP)—Warm Grey Neutral (WN)—Graphite (G2)

Clear on Ash (LBA)—White (G1)—White (G1)

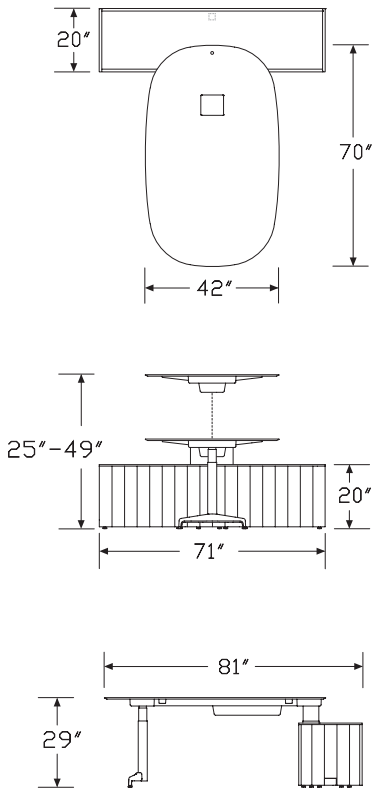
Oak on Ash (LBB)—Medium Tone (MT)—Graphite (G2)

Walnut on Ash (LBC)—Medium Tone (MT)—Graphite (G2)

Order these products separately:

- Power entry (BRE01. or BRE02.)
- Power block (BRE03.)
- Power duplex (BRE04.)
- Power jumper (BRE05.)
- Modular receptacle (BRE06.)
- Workbase screen (BRWBS.)
- Logic G1000 desktop power grommet (Y1425.A or Y1425.E) with plug end power cord option (A) or Logic G1200 nonpowered grommet pass thru (Y1420.T)

Dimensions



Specification Information

Step 1.

BRTS. A

Step 2. Adjustability

A adjustable A
F fixed height A

Step 3. Electrical Cutout Type

D desk electrical cutout A
G desk top and workbase top electrical cutout A

Step 4. Desk Top Material Type

L laminate A
T formcoat® A
W veneer A

Step 5. Workbase Orientation

EE both ends finished - end/end A
EM left finished end - end/mid A
ME right finished end - mid/end A
MM both ends unfinished - mid/mid A

Step 6. Workbase Accessory Cutout

N no cutout A
S workbase screen cutout A

Step 7. Door Configuration

1 front doors A
3 alternating doors A

Step 8. Workbase Panel Material

M low-pressure laminate A
W veneer A

Prices for Steps 1-8.

			LEEN1M	LEEN1W	LEEN3M	LEEN3W	LEES1M	LEES1W
BRTS.	A	D	\$6660	7585	6660	7585	6660	7585
		G	\$6710	7635	6710	7635	6710	7635
	F	D	\$5567	6492	5567	6492	5567	6492
		G	\$5617	6542	5617	6542	5617	6542

			LEES3M	LEES3W	LEMN1M	LEMN1W	LEMN3M	LEMN3W
BRTS.	A	D	\$6660	7585	6550	7475	6550	7475
		G	\$6710	7635	6600	7525	6600	7525
	F	D	\$5567	6492	5457	6382	5457	6382
		G	\$5617	6542	5507	6432	5507	6432

T-Peninsula Single *continued*

			LEMS1M	LEMS1W	LEMS3M	LEMS3W	LMEN1M	LMEN1W
BRTS. A	D		\$6550	7475	6550	7475	6550	7475
	G		\$6600	7525	6600	7525	6600	7525
F	D		\$5457	6382	5457	6382	5457	6382
	G		\$5507	6432	5507	6432	5507	6432

			LMEN3M	LMEN3W	LMES1M	LMES1W	LMES3M	LMES3W
BRTS. A	D		\$6550	7475	6550	7475	6550	7475
	G		\$6600	7525	6600	7525	6600	7525
F	D		\$5457	6382	5457	6382	5457	6382
	G		\$5507	6432	5507	6432	5507	6432

			LMMN1M	LMMN1W	LMMN3M	LMMN3W	LMMS1M	LMMS1W
BRTS. A	D		\$6470	7395	6470	7395	6470	7395
	G		\$6520	7445	6520	7445	6520	7445
F	D		\$5377	6302	5377	6302	5377	6302
	G		\$5427	6352	5427	6352	5427	6352

			LMMS3M	LMMS3W	TEEN1M	TEEN1W	TEEN3M	TEEN3W
BRTS. A	D		\$6470	7395	6780	7705	6780	7705
	G		\$6520	7445	6830	7755	6830	7755
F	D		\$5377	6302	5687	6612	5687	6612
	G		\$5427	6352	5737	6662	5737	6662

			TEES1M	TEES1W	TEES3M	TEES3W	TEMN1M	TEMN1W
BRTS. A	D		\$6780	7705	6780	7705	6670	7595
	G		\$6830	7755	6830	7755	6720	7645
F	D		\$5687	6612	5687	6612	5577	6502
	G		\$5737	6662	5737	6662	5627	6552

			TEMN3M	TEMN3W	TEMS1M	TEMS1W	TEMS3M	TEMS3W
BRTS. A	D		\$6670	7595	6670	7595	6670	7595
	G		\$6720	7645	6720	7645	6720	7645
F	D		\$5577	6502	5577	6502	5577	6502
	G		\$5627	6552	5627	6552	5627	6552

			TMEN1M	TMEN1W	TMEN3M	TMEN3W	TMES1M	TMES1W
BRTS. A	D		\$6670	7595	6670	7595	6670	7595
	G		\$6720	7645	6720	7645	6720	7645
F	D		\$5577	6502	5577	6502	5577	6502
	G		\$5627	6552	5627	6552	5627	6552

			TMES3M	TMES3W	TMMN1M	TMMN1W	TMMN3M	TMMN3W
BRTS. A	D		\$6670	7595	6590	7515	6590	7515
	G		\$6720	7645	6640	7565	6640	7565
F	D		\$5577	6502	5497	6422	5497	6422
	G		\$5627	6552	5547	6472	5547	6472

			TMMS1M	TMMS1W	TMMS3M	TMMS3W	WEEN1M	WEEN1W
BRTS. A	D		\$6590	7515	6590	7515	7825	8750
	G		\$6640	7565	6640	7565	7875	8800
F	D		\$5497	6422	5497	6422	6732	7657
	G		\$5547	6472	5547	6472	6782	7707

			WEEN3M	WEEN3W	WEES1M	WEES1W	WEES3M	WEES3W
BRTS. A	D		\$7825	8750	7825	8750	7825	8750
	G		\$7875	8800	7875	8800	7875	8800
F	D		\$6732	7657	6732	7657	6732	7657
	G		\$6782	7707	6782	7707	6782	7707

			WEMN1M	WEMN1W	WEMN3M	WEMN3W	WEMS1M	WEMS1W
BRTS. A	D		\$7715	8640	7715	8640	7715	8640
	G		\$7765	8690	7765	8690	7765	8690
F	D		\$6622	7547	6622	7547	6622	7547
	G		\$6672	7597	6672	7597	6672	7597

			WEMS3M	WEMS3W	WMEN1M	WMEN1W	WMEN3M	WMEN3W
BRTS. A	D		\$7715	8640	7715	8640	7715	8640
	G		\$7765	8690	7765	8690	7765	8690
F	D		\$6622	7547	6622	7547	6622	7547
	G		\$6672	7597	6672	7597	6672	7597

			WMES1M	WMES1W	WMES3M	WMES3W	WMMN1M	WMMN1W
BRTS. A	D		\$7715	8640	7715	8640	7635	8560
	G		\$7765	8690	7765	8690	7685	8610
F	D		\$6622	7547	6622	7547	6542	7467
	G		\$6672	7597	6672	7597	6592	7517

			WMMN3M	WMMN3W	WMMS1M	WMMS1W	WMMS3M	WMMS3W
BRTS. A	D		\$7635	8560	7635	8560	7635	8560
	G		\$7685	8610	7685	8610	7685	8610
F	D		\$6542	7467	6542	7467	6542	7467
	G		\$6592	7517	6592	7517	6592	7517

Locale® Deskling

T-Peninsula Single *continued*

Locate® Desking

Step 9. Desk Top Finish

For laminate (L)

8Q	folkstone grey <input type="checkbox"/>	+\$0
91	white <input type="checkbox"/>	+\$0
LBA	clear on ash <input type="checkbox"/>	+\$0
LBU	medium matte walnut <input type="checkbox"/>	+\$0
LBB	oak on ash <input type="checkbox"/>	+\$0
LBC	walnut on ash <input type="checkbox"/>	+\$0
LBF	neutral twill <input type="checkbox"/>	+\$0
LBG	sarum twill <input type="checkbox"/>	+\$0
LBH	earthen twill <input type="checkbox"/>	+\$0
LBJ	graphite twill <input type="checkbox"/>	+\$0
LBK	pewter mesh <input type="checkbox"/>	+\$0
LBL	steel mesh <input type="checkbox"/>	+\$0
LBM	crisp linen <input type="checkbox"/>	+\$0
LBN	classic linen <input type="checkbox"/>	+\$0
LBP	casual linen <input type="checkbox"/>	+\$0
LBQ	white twill <input type="checkbox"/>	+\$0

For formcoat® (T)

8Q	folkstone grey <input type="checkbox"/>	+\$0
91	white <input type="checkbox"/>	+\$0

For veneer (W)

ET	clear on ash <input type="checkbox"/>	+\$0
EU	oak on ash <input type="checkbox"/>	+\$0
EV	walnut on ash <input type="checkbox"/>	+\$0

Step 10. Desk Understructure Finish

8Q	folkstone grey <input type="checkbox"/>	+\$0
91	white <input type="checkbox"/>	+\$0
G1	graphite <input type="checkbox"/>	+\$0

Step 11. Workbase Top Finish

8Q	folkstone grey <input type="checkbox"/>	+\$0
91	white <input type="checkbox"/>	+\$0
G1	graphite <input type="checkbox"/>	+\$0

Step 12. Workbase Panel Finish

For low-pressure laminate (M)

8Q	folkstone grey <input type="checkbox"/>	+\$0
91	white <input type="checkbox"/>	+\$0
G1	graphite <input type="checkbox"/>	+\$0

For veneer (W)

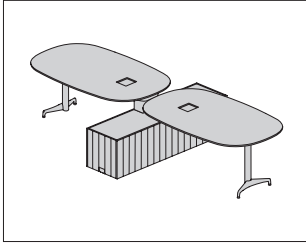
ET	clear on ash <input type="checkbox"/>	+\$0
EU	oak on ash <input type="checkbox"/>	+\$0
EV	walnut on ash <input type="checkbox"/>	+\$0

Step 13. Workbase Storage Option

AJS	adjustable shelf <input type="checkbox"/>	+\$0
------------	---	------

T-Peninsula Double

BRTD.



Product Information

Description

This T-peninsula double provides 2 small group or individual work stations with enclosed storage that can be accessed from both sides. The peninsula is centered on, and oriented perpendicular to the Workbase. It is freestanding or can be connected end to end with other Locale® modules.

The Workbase has enclosed storage. It has 2" (51mm) leveling glides and contains 2 storage compartments, 1 accessible from the right side of each peninsula. Each compartment has an adjustable shelf and a removable bottom shelf for access to power and data raceway. Doors have a push latch. The grooved panel exterior minimizes the appearance of individual doors. The panels are available in laminate or veneer. The Workbase top is 1/2" (13mm) thick, available in laminate.

The Workbase is nonpowered. Modular power blocks, harnesses and receptacles must be ordered separately to power the unit and pass power to connecting modules. Hardwire options are available. A power pass-through cutout is on either end of the Workbase. Finished ends include a cutout cover.

Peninsula surfaces are supported by columns, each centered on the Workbase. Each has a single outboard leg.

The peninsula is specified as fixed height at 29" (736mm) high, or height adjustable. Adjustable peninsulas have electrical height adjustment with an included control lever that can be mounted on the left or right.

Peninsula surface height range is 25" (635mm) to 49" (1244mm).

Peninsulas are 3/4" (19mm) thick and are available in squared edge laminate or veneer, or thin edge Formcoat®. Each peninsula surface has a cutout for user power components which must be ordered separately. Cable management trays included. Tray finishes match peninsula understructure finish. A through-mount hole with grommet cover is provided on each peninsula surface for monitor arm support.

Notes

Exposed end of Workbase must be finished. Unfinished ends have predrilled holes for connecting units together. Specify correct option based on Workbase orientation and number of modules connecting together. Connecting hardware included.

The wood grain for veneer Workbase panels is vertical.

For low-pressure laminate (M) Workbase, the interior finish matches exterior finish. For veneer (W) Workbase, interior finish matches the Workbase top finish.

Finished end cutout covers for laminate (M) Workbase match Workbase finish. For veneer (W) Workbase, finished end cutout covers match Workbase top finish.

During installation, power and data cables are routed through the peninsula column from the Workbase to the cable management tray. Workbase panels in front of column are removable for access.

Recommend Flo® single-screen monitor arm support with Locale through surface mount attachment bracket (Y91171.LOC), ordered separately.

Monitor arms must be compatible with 3/4" (19mm) thick surfaces.

When specifying Workbase screen (BRWBS.), specify Workbase accessory cutout (S) to match.

For Workbases with locks, and for electrical access at the Workbase top, contact Options.

See Planning Guide for configurations and desk edge detail.

For laminate (L) desk top material, edge and grommet colors are predetermined:

Laminate—Edgeband Color—Monitor Hole Grommet Cover Color

Neutral Twill (LBF)—Sandstone (WL)—White (G1)

Sarum Twill (LBG)—Folkstone Grey (8Q)—Folkstone Grey (8Q)

Earthen Twill (LBH)—Medium Tone (MT)—Graphite (G2)

Graphite Twill (LBJ)—Medium Tone (MT)—Graphite (G2)

White Twill (LBQ)—White (G1)—White (G1)

Pewter Mesh (LBK)—Warm Grey Neutral (WN)—Graphite (G2)

Steel Mesh (LBL)—Slate Grey (SG)—Graphite (G2)

Crisp Linen (LBM)—Folkstone Grey (8Q)—Folkstone Grey (8Q)

Classic Linen (LBN)—Sandstone (WL)—White (G1)

Casual Linen (LBP)—Warm Grey Neutral (WN)—Graphite (G2)

Clear on Ash (LBA)—White (G1)—White (G1)

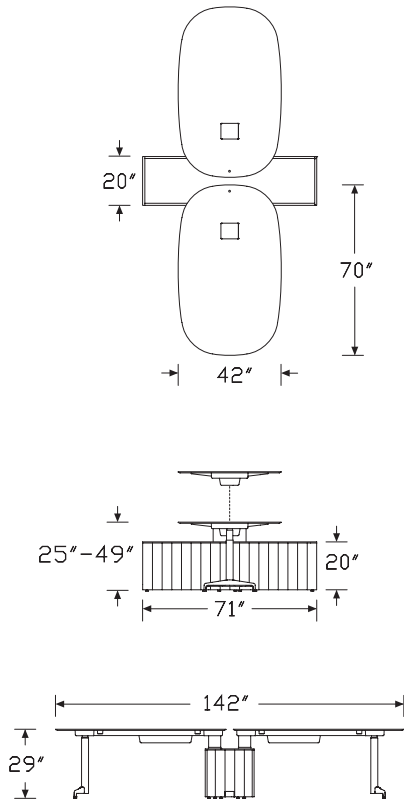
Oak on Ash (LBB)—Medium Tone (MT)—Graphite (G2)

Walnut on Ash (LBC)—Medium Tone (MT)—Graphite (G2)

Order these products separately:

- Power entry (BRE01. or BRE02.)
- Power block (BRE03.)
- Power duplex (BRE04.)
- Power jumper (BRE05.)
- Modular receptacle (BRE06.)
- Workbase screen (BRWBS.)
- Logic G1000 desktop power grommet (Y1425.A or Y1425.E) with plug end power cord option (A) or Logic G1200 nonpowered grommet pass thru (Y1420.T)

Dimensions



Specification Information

Step 1.

BRTD. A

Step 2. Adjustability

A adjustable A

F fixed height A

Step 3. Electrical Cutout Type

D desk electrical cutout A

Step 4. Desk Top Material Type

L laminate A

T formcoat® A

W veneer A

Step 5. Workbase Orientation

EE both ends finished - end/end A

OE one finished end - end/mid A

MM both ends unfinished - mid/mid A

Step 6. Workbase Accessory Cutout

N no cutout A

S workbase screen cutout A

Step 7. Workbase Panel Material

M low-pressure laminate A

W veneer A

Prices for Steps 1-7.

		LEENM	LEENW	LEESM	LEESW	LOENM	LOENW
BRTD.	A D	\$10470	11395	10470	11395	10360	11285
	F D	\$8284	9209	8284	9209	8174	9099

		LOESM	LOESW	LMMNM	LMMNW	LMMSM	LMMSW
BRTD.	A D	\$10360	11285	10280	11205	10280	11205
	F D	\$8174	9099	8094	9019	8094	9019

		TEENM	TEENW	TEESM	TEESW	TOENM	TOENW
BRTD.	A D	\$10590	11515	10590	11515	10480	11405
	F D	\$8404	9329	8404	9329	8294	9219

		TOESM	TOESW	TMMNM	TMMNW	TMMSM	TMMSW
BRTD.	A D	\$10480	11405	10400	11325	10400	11325
	F D	\$8294	9219	8214	9139	8214	9139

T-Peninsula Double *continued*

		WEENM	WEENW	WEESM	WEESW	WOENM	WOENW
BRTD.	A D	\$12800	13725	12800	13725	12690	13615
	F D	\$10614	11539	10614	11539	10504	11429

		WOESM	WOESW	WMMNM	WMMNW	WMMSM	WMMSW
BRTD.	A D	\$12690	13615	12610	13535	12610	13535
	F D	\$10504	11429	10424	11349	10424	11349

Step 8. Desk Top Finish

For laminate (L)

8Q	folkstone grey <input type="checkbox"/>	+\$0
91	white <input type="checkbox"/>	+\$0
LBA	clear on ash <input type="checkbox"/>	+\$0
LBU	medium matte walnut <input type="checkbox"/>	+\$0
LBB	oak on ash <input type="checkbox"/>	+\$0
LBC	walnut on ash <input type="checkbox"/>	+\$0
LBF	neutral twill <input type="checkbox"/>	+\$0
LBG	sarum twill <input type="checkbox"/>	+\$0
LBH	earthen twill <input type="checkbox"/>	+\$0
LBJ	graphite twill <input type="checkbox"/>	+\$0
LBK	pewter mesh <input type="checkbox"/>	+\$0
LBL	steel mesh <input type="checkbox"/>	+\$0
LBM	crisp linen <input type="checkbox"/>	+\$0
LBN	classic linen <input type="checkbox"/>	+\$0
LBP	casual linen <input type="checkbox"/>	+\$0
LBQ	white twill <input type="checkbox"/>	+\$0

For formcoat® (T)

8Q	folkstone grey <input type="checkbox"/>	+\$0
91	white <input type="checkbox"/>	+\$0

For veneer (W)

ET	clear on ash <input type="checkbox"/>	+\$0
EU	oak on ash <input type="checkbox"/>	+\$0
EV	walnut on ash <input type="checkbox"/>	+\$0

Step 9. Desk Understructure Finish

8Q	folkstone grey <input type="checkbox"/>	+\$0
91	white <input type="checkbox"/>	+\$0
G1	graphite <input type="checkbox"/>	+\$0

Step 10. Workbase Top Finish

8Q	folkstone grey <input type="checkbox"/>	+\$0
91	white <input type="checkbox"/>	+\$0
G1	graphite <input type="checkbox"/>	+\$0

Step 11. Workbase Panel Finish

For low-pressure laminate (M)

8Q	folkstone grey <input type="checkbox"/>	+\$0
91	white <input type="checkbox"/>	+\$0
G1	graphite <input type="checkbox"/>	+\$0

For veneer (W)

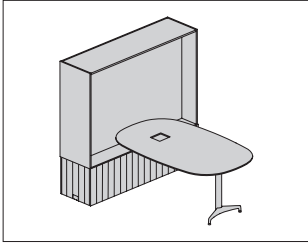
ET	clear on ash <input type="checkbox"/>	+\$0
EU	oak on ash <input type="checkbox"/>	+\$0
EV	walnut on ash <input type="checkbox"/>	+\$0

Step 12. Workbase Storage Option

AJS	adjustable shelf <input type="checkbox"/>	+\$0
------------	---	------

T-Peninsula Single with Full Display

BRTSF.



Locale® Deskling

Product Information

Description

This T-peninsula single with full display is a small group or individual work station with enclosed storage and display that can be accessed from both sides. The peninsula is centered on, and oriented perpendicular to the Workbase. The module is freestanding or can be connected end to end with other Locale® modules.

The Workbase has enclosed storage that can be accessed from both sides. It has 2" (51mm) leveling glides and contains 2 storage compartments, each with an adjustable shelf and a removable bottom shelf for access to power and data raceway. Doors have a push latch. The grooved panel exterior minimizes the appearance of individual doors. The panels are available in laminate or veneer. The Workbase top is 1/2" (13mm) thick, available in laminate.

The Workbase is nonpowered. Modular power blocks, harnesses and receptacles must be ordered separately to power the unit and pass power to connecting modules. Hardwire options are available. A power pass-through cutout is on either end of the Workbase. Finished ends include a cutout cover. An optional Workbase top power access cutout with square grommet is available opposite the peninsula column. This option provides power routing to inside the Workbase for components located opposite the peninsula.

The peninsula surface is supported by a column centered on the Workbase. It has a single outboard leg.

The peninsula is specified as fixed height at 29" (736mm) high, or height adjustable. The adjustable peninsula has electrical height adjustment with an included control lever that can be mounted on the left or right. Peninsula surface height range is 25" (635mm) to 49" (1244mm). Peninsula is 3/4" (19mm) thick and is available in squared edge laminate or veneer, or thin edge Formcoat®. Peninsula surface has a cutout for user power components which must be ordered separately. Cable management tray included. Tray finish matches peninsula understructure finish. A through-mount hole with grommet cover is provided on each peninsula surface for monitor arm support.

The full display unit has a center dividing panel and can hold a tackboard on either side. The unit is available in laminate.

Notes

Mounting a monitor on the full display is not recommended and will interfere with height adjustability.

Exposed end of Workbase must be finished. Unfinished ends have predrilled holes for connecting units together. Specify correct option based on Workbase orientation and number of modules connecting together. Left and right specification is defined from the peninsula side of the Workbase. Connecting hardware included.

Door swings can be specified to accommodate storage access direction. Choose the appropriate door swing based on desk orientation. See Planning Guide for more details.

The wood grain for veneer Workbase panels is vertical.

For laminate (M) Workbase, the interior finish matches exterior finish.

For veneer (W) Workbase, the interior finish matches the laminate full display finish.

Finished end cutout covers for laminate (M) Workbase match the Workbase finish. For veneer (W) Workbase, finished end cutout covers match the laminate full display finish.

During installation, power and data cables are routed through the peninsula column from the Workbase to the cable management tray.

Workbase panels in front of column are removable for access.

Recommend Flo® single-screen monitor arm support with Locale through surface mount attachment bracket (Y91171.LOC), ordered separately.

Monitor arms must be compatible with 3/4" (19mm) thick surfaces.

For Workbases with locks, contact Options.

See Planning Guide for configurations and desk edge detail.

For laminate (L) desk top material, edge and grommet colors are predetermined:

Laminate—Edgeband Color—Monitor Hole Grommet Cover Color

Neutral Twill (LBF)—Sandstone (WL)—White (G1)

Sarum Twill (LBG)—Folkstone Grey (8Q)—Folkstone Grey (8Q)

Earthen Twill (LBH)—Medium Tone (MT)—Graphite (G2)

Graphite Twill (LBJ)—Medium Tone (MT)—Graphite (G2)

White Twill (LBQ)—White (G1)—White (G1)

Pewter Mesh (LBK)—Warm Grey Neutral (WN)—Graphite (G2)

Steel Mesh (LBL)—Slate Grey (SG)—Graphite (G2)

Crisp Linen (LBM)—Folkstone Grey (8Q)—Folkstone Grey (8Q)

Classic Linen (LBN)—Sandstone (WL)—White (G1)

Casual Linen (LBP)—Warm Grey Neutral (WN)—Graphite (G2)

Clear on Ash (LBA)—White (G1)—White (G1)

Oak on Ash (LBB)—Medium Tone (MT)—Graphite (G2)

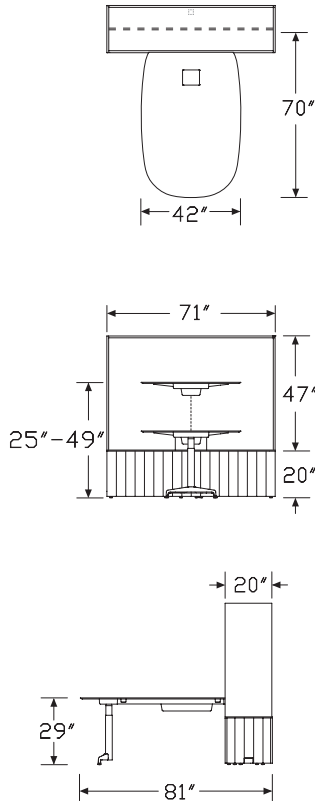
Walnut on Ash (LBC)—Medium Tone (MT)—Graphite (G2)

Order these products separately:

- Power entry (BRE01. or BRE02.)
- Power block (BRE03.)
- Power duplex (BRE04.)
- Power jumper (BRE05.)
- Modular receptacle (BRE06.)
- Display tackboard (BRTB.)
- Logic G1000 desktop power grommet (Y1425.A or Y1425.E) with plug end power cord option (A) or Logic G1200 nonpowered grommet pass thru (Y1420.T)

T-Peninsula Single with Full Display *continued*

Dimensions



Specification Information

Step 1.

BRTSF. A

Step 2. Adjustability

A adjustable A
F fixed height A

Step 3. Electrical Cutout Type

D desk electrical cutout A
G desk top and workbase top electrical cutout A

Step 4. Desk Top Material Type

L laminate A
T formcoat® A
W veneer A

Step 5. Workbase Orientation

EE both ends finished - end/end A
EM left finished end - end/mid A
ME right finished end - mid/end A
MM both ends unfinished - mid/mid A

Step 6. Door Configuration

1 front doors A
3 alternating doors A

Step 7. Workbase Panel Material

M low-pressure laminate A
W veneer A

Step 8. Upper Display Material

For low-pressure laminate (M)

M low-pressure laminate A

For veneer (W)

M low-pressure laminate A

Prices for Steps 1-8.

		LEE1MM	LEE1WM	LEE3MM	LEE3WM	LEM1MM	LEM1WM
BRTSF. A	D	\$9020	9940	9020	9940	8910	9830
	G	\$9070	9990	9070	9990	8960	9880
F	D	\$7927	8847	7927	8847	7817	8737
	G	\$7977	8897	7977	8897	7867	8787

T-Peninsula Single with Full Display *continued*

Locale® Desking

		LEM3MM	LEM3WM	LME1MM	LME1WM	LME3MM	LME3WM
BRTSF. A	D	\$8910	9830	8910	9830	8910	9830
	G	\$8960	9880	8960	9880	8960	9880
F	D	\$7817	8737	7817	8737	7817	8737
	G	\$7867	8787	7867	8787	7867	8787
		LMM1MM	LMM1WM	LMM3MM	LMM3WM	TEE1MM	TEE1WM
BRTSF. A	D	\$8830	9750	8830	9750	9140	10060
	G	\$8880	9800	8880	9800	9190	10110
F	D	\$7737	8657	7737	8657	8047	8967
	G	\$7787	8707	7787	8707	8097	9017
		TEE3MM	TEE3WM	TEM1MM	TEM1WM	TEM3MM	TEM3WM
BRTSF. A	D	\$9140	10060	9030	9950	9030	9950
	G	\$9190	10110	9080	10000	9080	10000
F	D	\$8047	8967	7937	8857	7937	8857
	G	\$8097	9017	7987	8907	7987	8907
		TME1MM	TME1WM	TME3MM	TME3WM	TMM1MM	TMM1WM
BRTSF. A	D	\$9030	9950	9030	9950	8950	9870
	G	\$9080	10000	9080	10000	9000	9920
F	D	\$7937	8857	7937	8857	7857	8777
	G	\$7987	8907	7987	8907	7907	8827
		TMM3MM	TMM3WM	WEE1MM	WEE1WM	WEE3MM	WEE3WM
BRTSF. A	D	\$8950	9870	10185	11105	10185	11105
	G	\$9000	9920	10235	11155	10235	11155
F	D	\$7857	8777	9092	10012	9092	10012
	G	\$7907	8827	9142	10062	9142	10062
		WEM1MM	WEM1WM	WEM3MM	WEM3WM	WME1MM	WME1WM
BRTSF. A	D	\$10075	10995	10075	10995	10075	10995
	G	\$10125	11045	10125	11045	10125	11045
F	D	\$8982	9902	8982	9902	8982	9902
	G	\$9032	9952	9032	9952	9032	9952
		WME3MM	WME3WM	WMM1MM	WMM1WM	WMM3MM	WMM3WM
BRTSF. A	D	\$10075	10995	9995	10915	9995	10915
	G	\$10125	11045	10045	10965	10045	10965
F	D	\$8982	9902	8902	9822	8902	9822
	G	\$9032	9952	8952	9872	8952	9872

Step 9. Desk Top Finish

For laminate (L)

8Q	folkstone grey <input type="checkbox"/>	+\$0
91	white <input type="checkbox"/>	+\$0
LBA	clear on ash <input type="checkbox"/>	+\$0
LBU	medium matte walnut <input type="checkbox"/>	+\$0
LBB	oak on ash <input type="checkbox"/>	+\$0
LBC	walnut on ash <input type="checkbox"/>	+\$0
LBF	neutral twill <input type="checkbox"/>	+\$0
LBG	sarum twill <input type="checkbox"/>	+\$0
LBH	earthen twill <input type="checkbox"/>	+\$0
LBJ	graphite twill <input type="checkbox"/>	+\$0
LBK	pewter mesh <input type="checkbox"/>	+\$0
LBL	steel mesh <input type="checkbox"/>	+\$0
LBM	crisp linen <input type="checkbox"/>	+\$0
LBN	classic linen <input type="checkbox"/>	+\$0
LBP	casual linen <input type="checkbox"/>	+\$0
LBQ	white twill <input type="checkbox"/>	+\$0

For formcoat® (T)

8Q	folkstone grey <input type="checkbox"/>	+\$0
91	white <input type="checkbox"/>	+\$0

For veneer (W)

ET	clear on ash <input type="checkbox"/>	+\$0
EU	oak on ash <input type="checkbox"/>	+\$0
EV	walnut on ash <input type="checkbox"/>	+\$0

Step 10. Desk Understructure Finish

8Q	folkstone grey <input type="checkbox"/>	+\$0
91	white <input type="checkbox"/>	+\$0
G1	graphite <input type="checkbox"/>	+\$0

Step 11. Workbase Panel Finish

For low-pressure laminate (M)

8Q	folkstone grey <input type="checkbox"/>	+\$0
91	white <input type="checkbox"/>	+\$0
G1	graphite <input type="checkbox"/>	+\$0

For veneer (W)

ET	clear on ash <input type="checkbox"/>	+\$0
EU	oak on ash <input type="checkbox"/>	+\$0
EV	walnut on ash <input type="checkbox"/>	+\$0

T-Peninsula Single with Full Display *continued*

Step 12. Workbase Storage Option

AJS	adjustable shelf <input type="checkbox"/>	+\$0
------------	---	------

Step 13. Upper Display Finish

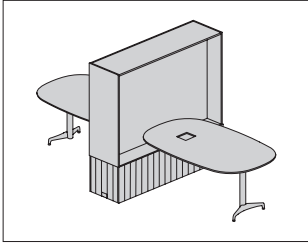
8Q	folkstone grey <input type="checkbox"/>	+\$0
-----------	---	------

91	white <input type="checkbox"/>	+\$0
-----------	--------------------------------	------

G1	graphite <input type="checkbox"/>	+\$0
-----------	-----------------------------------	------

T-Peninsula Double with Full Display

BRTDF.



Locale® Deskting

Product Information

Description

This T-peninsula double with full display provides 2 small group or individual work stations with enclosed storage and display that can be accessed from both sides. The peninsulas are centered on, and oriented perpendicular to the Workbase. The module is freestanding or can be connected end to end with other Locale® modules.

The Workbase provides enclosed storage that can be accessed from both sides. It has 2" (51mm) leveling glides and contains 2 storage compartments, 1 accessible from the right side of each peninsula. Each compartment has an adjustable shelf and a removable bottom shelf for access to power and data raceway. Doors have a push latch. The grooved panel exterior minimizes the appearance of individual doors. The panels are available in laminate or veneer. The Workbase top is 1/2" (13mm) thick, available in laminate.

The Workbase is nonpowered. Modular power blocks, harnesses and receptacles must be ordered separately to power the unit and pass power to connecting modules. Hardwire options are available. A power pass-through cutout is on either end of the Workbase. Finished ends include a cutout cover.

Peninsula surfaces are supported by columns, each centered on the Workbase. Each has a single outboard leg.

The peninsula is specified as fixed height at 29" (736mm) high, or height adjustable. Adjustable peninsulas have electrical height adjustment with an included control lever that can be mounted on the left or right.

Peninsula surface height range is 25" (635mm) to 49" (1244mm).

Peninsulas are 3/4" (19mm) thick and are available in squared edge laminate or veneer, or thin edge Formcoat®. Each peninsula surface has a cutout for user power components which must be ordered separately.

Cable management trays included. Tray finishes match peninsula understructure finish. A through-mount hole with grommet cover is provided on each peninsula surface for monitor arm support.

The full display unit has a center dividing panel and can hold a tackboard on either side. The unit is available in laminate.

Notes

Mounting a monitor on the full display is not recommended and will interfere with height adjustability.

Exposed end of Workbase must be finished. Unfinished ends have predrilled holes for connecting units together. Specify correct option based on Workbase orientation and number of modules connecting together. Connecting hardware included.

For laminate (M) Workbase, interior finish matches exterior finish. For veneer (W) Workbase, interior finish matches the laminate full display finish.

Finished end cutout covers for laminate (M) Workbase match Workbase finish. For veneer (W) Workbase, finished end cutout covers match the laminate full display finish.

During installation, power and data cables are routed through the peninsula column from the Workbase to the cable management tray.

Workbase panels in front of column are removable for access.

Recommend Flo® single-screen monitor arm support with Locale through surface mount attachment bracket (Y91171.LOC), ordered separately.

Monitor arms must be compatible with 3/4" (19mm) or 1/2" (13mm) thick surfaces.

For Workbases with locks, and for electrical access at the Workbase top, contact Options.

See Planning Guide for configurations and desk edge detail.

For laminate (L) desk top material, edge and grommet colors are predetermined:

Laminate—Edgeband Color—Monitor Hole Grommet Cover Color

Neutral Twill (LBF)—Sandstone (WL)—White (g1)

Sarum Twill (LBG)—Folkstone Grey (8Q)—Folkstone Grey (8Q)

Earthen Twill (LBH)—Medium Tone (MT)—Graphite (G2)

Graphite Twill (LBJ)—Medium Tone (MT)—Graphite (G2)

White Twill (LBQ)—White (g1)—White (g1)

Pewter Mesh (LBK)—Warm Grey Neutral (WN)—Graphite (G2)

Steel Mesh (LBL)—Slate Grey (SG)—Graphite (G2)

Crisp Linen (LBM)—Folkstone Grey (8Q)—Folkstone Grey (8Q)

Classic Linen (LBN)—Sandstone (WL)—White (g1)

Casual Linen (LBP)—Warm Grey Neutral (WN)—Graphite (G2)

Clear on Ash (LBA)—White (g1)—White (g1)

Oak on Ash (LBB)—Medium Tone (MT)—Graphite (G2)

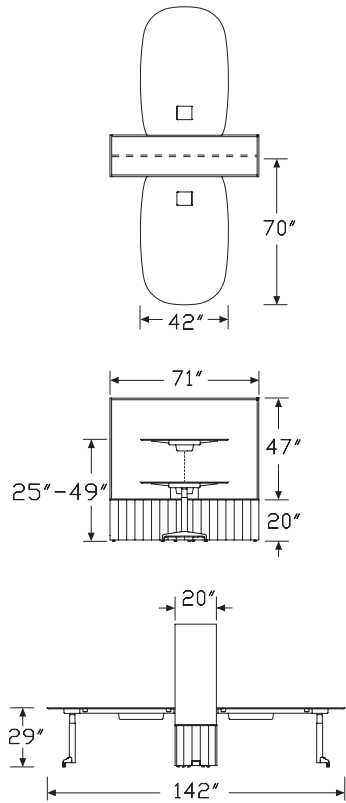
Walnut on Ash (LBC)—Medium Tone (MT)—Graphite (G2)

Order these products separately:

- Power entry (BRE01. or BRE02.)
- Power block (BRE03.)
- Power duplex (BRE04.)
- Power jumper (BRE05.)
- Modular receptacle (BRE06.)
- Display tackboard (BRTB.)
- Logic G1000 desktop power grommet (Y1425.A or Y1425.E) with plug end power cord option (A) or Logic G1200 nonpowered grommet pass thru (Y1420.T)

T-Peninsula Double with Full Display *continued*

Dimensions



Specification Information

Step 1.

BRTDF. A

Step 2. Adjustability

A adjustable A

F fixed height A

Step 3. Electrical Cutout Type

D desk electrical cutout A

Step 4. Desk Top Material Type

L laminate A

T formcoat® A

W veneer A

Step 5. Workbase Orientation

EE both ends finished - end/end A

OE one finished end - end/mid A

MM both ends unfinished - mid/mid A

Step 6. Workbase Panel Material

M low-pressure laminate A

W veneer A

Step 7. Upper Display Material

For low-pressure laminate (M)

M low-pressure laminate A

For veneer (W)

M low-pressure laminate A

Prices for Steps 1-7.

	LEEMM	LEEWM	LOEMM	LOEWM	LMMMM	LMMWM
BRTDF. A D	\$12830	13725	12720	13615	12640	13535
F D	\$10644	11539	10534	11429	10454	11349

	TEEMM	TEEWM	TOEMM	TOEWM	TMMMM	TMMWM
BRTDF. A D	\$13070	13965	12960	13855	12880	13775
F D	\$10884	11779	10774	11669	10694	11589

	WEEMM	WEEWM	WOEMM	WOEWM	WMMMM	WMMWM
BRTDF. A D	\$15160	16055	15050	15945	14970	15865
F D	\$12974	13869	12864	13759	12784	13679

T-Peninsula Double with Full Display *continued*

Locate® Desking

Step 8. Desk Top Finish

For laminate (L)

8Q	folkstone grey <input type="checkbox"/>	+\$0
91	white <input type="checkbox"/>	+\$0
LBA	clear on ash <input type="checkbox"/>	+\$0
LBU	medium matte walnut <input type="checkbox"/>	+\$0
LBB	oak on ash <input type="checkbox"/>	+\$0
LBC	walnut on ash <input type="checkbox"/>	+\$0
LBF	neutral twill <input type="checkbox"/>	+\$0
LBG	sarum twill <input type="checkbox"/>	+\$0
LBH	earthen twill <input type="checkbox"/>	+\$0
LBJ	graphite twill <input type="checkbox"/>	+\$0
LBK	pewter mesh <input type="checkbox"/>	+\$0
LBL	steel mesh <input type="checkbox"/>	+\$0
LBM	crisp linen <input type="checkbox"/>	+\$0
LBN	classic linen <input type="checkbox"/>	+\$0
LBP	casual linen <input type="checkbox"/>	+\$0
LBQ	white twill <input type="checkbox"/>	+\$0

For formcoat® (T)

8Q	folkstone grey <input type="checkbox"/>	+\$0
91	white <input type="checkbox"/>	+\$0

For veneer (W)

ET	clear on ash <input type="checkbox"/>	+\$0
EU	oak on ash <input type="checkbox"/>	+\$0
EV	walnut on ash <input type="checkbox"/>	+\$0

Step 9. Desk Understructure Finish

8Q	folkstone grey <input type="checkbox"/>	+\$0
91	white <input type="checkbox"/>	+\$0
G1	graphite <input type="checkbox"/>	+\$0

Step 10. Workbase Panel Finish

For low-pressure laminate (M)

8Q	folkstone grey <input type="checkbox"/>	+\$0
91	white <input type="checkbox"/>	+\$0
G1	graphite <input type="checkbox"/>	+\$0

For veneer (W)

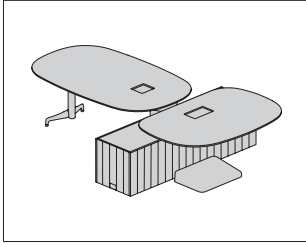
ET	clear on ash <input type="checkbox"/>	+\$0
EU	oak on ash <input type="checkbox"/>	+\$0
EV	walnut on ash <input type="checkbox"/>	+\$0

Step 11. Workbase Storage Option

AJS	adjustable shelf <input type="checkbox"/>	+\$0
------------	---	------

Step 12. Upper Display Finish

8Q	folkstone grey <input type="checkbox"/>	+\$0
91	white <input type="checkbox"/>	+\$0
G1	graphite <input type="checkbox"/>	+\$0



Product Information

Description

This module combines a D-desk single work station and a T-peninsula single with enclosed storage. The D-desk is oriented parallel to the Workbase. The peninsula is centered on, and oriented perpendicular to the Workbase. The module is freestanding or can be connected end to end with other Locale® modules.

The Workbase provides enclosed storage that can be accessed from both sides. It has 2" (51mm) leveling glides and contains 2 storage compartments, 1 accessible from the right side of each desk. Storage compartments each have an adjustable shelf and a removable bottom shelf for access to power and data raceway. Doors have a push latch. The grooved panel exterior minimizes the appearance of individual doors. The module is available in laminate or veneer. The Workbase top is 1/2" (13mm) thick, available in laminate.

The Workbase is nonpowered. Modular power blocks, harnesses and receptacles must be ordered separately to power the unit and pass power to connecting modules. Hardwire options are available. A power pass-through cutout is on either end of the Workbase. Finished ends include a cutout cover.

The D-desk surface is cantilevered off the Workbase, supported by a column with outrigger supports at the floor. Outrigger supports have an ABS plastic cover which functions as a foot rest. The peninsula surface is supported by a column, centered on the Workbase. It has a single outboard leg.

The desk and peninsula are specified as fixed height at 29" (736mm) high, or height adjustable. Both the adjustable desk and adjustable peninsula have electrical height adjustment with an included control lever that can be mounted on the left or right. Desk and peninsula surface height ranges are 25" (635mm) to 49" (1244mm). Desk and peninsula are 3/4" (19mm) thick and are available in square edge laminate or veneer, or thin edge Formcoat®. Both surfaces have a cutout for user power components which must be ordered separately. The D-desk cutout accepts a 5-module desktop power unit, while the T-peninsula accepts a 3-module desktop power unit. Cable management trays are included. Tray finishes match understructure finishes. A through-mount hole with grommet cover is provided on both surfaces for monitor arm support.

Notes

Exposed end of Workbase must be finished. Unfinished ends have predrilled holes for connecting units together. Specify correct option based on Workbase orientation and number of modules connecting together. Left and right specification is defined from the D-desk side of the Workbase. Connecting hardware included.

For laminate (M) Workbase, interior finish matches exterior finish. For veneer (W) Workbase, interior finish matches Workbase top finish.

Finished end cutout covers for laminate (M) Workbase match the Workbase finish. For veneer (W) Workbase, finished end cutout covers match the Workbase top finish.

During installation, power and data cables are routed through the desk column from the Workbase to the cable management tray. Workbase panels in front of column are removable for access.

Recommend Flo® single-screen monitor arm support with Locale through surface mount attachment bracket (Y91171.LOC), ordered separately.

Monitor arms must be compatible with 3/4" (19mm) thick surfaces. Clamp mount arms cannot be mounted in center back of D-desk surface.

When specifying Workbase screen (BRWBS.), specify Workbase accessory cutout (S) to match

For Workbases with locks, and for electrical access at the Workbase top, contact Options.

See Planning Guide for configurations and desk edge detail.

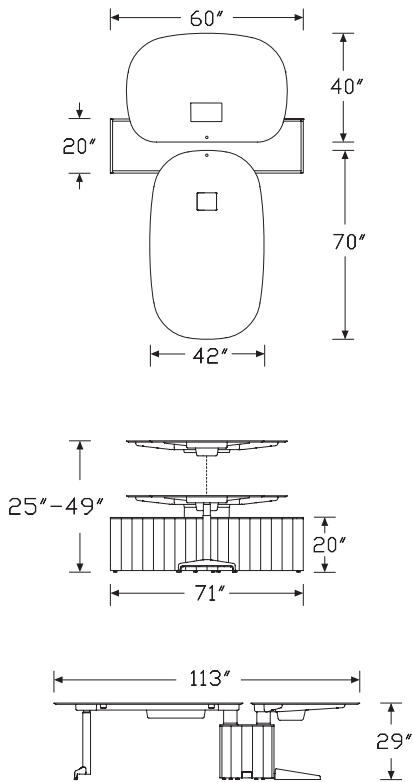
For laminate (L) desk top material, edge and grommet colors are predetermined:

- Laminate—Edgeband Color—Monitor Hole Grommet Cover Color
- Neutral Twill (LBF)—Sandstone (WL)—White (G1)
- Sarum Twill (LBG)—Folkstone Grey (8Q)—Folkstone Grey (8Q)
- Earthen Twill (LBH)—Medium Tone (MT)—Graphite (G2)
- Graphite Twill (LBJ)—Medium Tone (MT)—Graphite (G2)
- White Twill (LBQ)—White (G1)—White (G1)
- Pewter Mesh (LBK)—Warm Grey Neutral (WN)—Graphite (G2)
- Steel Mesh (LBL)—Slate Grey (SG)—Graphite (G2)
- Crisp Linen (LBM)—Folkstone Grey (8Q)—Folkstone Grey (8Q)
- Classic Linen (LBN)—Sandstone (WL)—White (G1)
- Casual Linen (LBP)—Warm Grey Neutral (WN)—Graphite (G2)
- Clear on Ash (LBA)—White (G1)—White (G1)
- Oak on Ash (LBB)—Medium Tone (MT)—Graphite (G2)
- Walnut on Ash (LBC)—Medium Tone (MT)—Graphite (G2)

Order these products separately:

- Power entry (BRE01. or BRE02.)
- Power block (BRE03.)
- Power duplex (BRE04.)
- Power jumper (BRE05.)
- Modular receptacle (BRE06.)
- Workbase screen (BRWBS.)
- Logic G1000 desktop power grommet (Y1425.A or Y1425.E) with plug end power cord option (A) or Logic G1200 nonpowered grommet pass thru (Y1420.T)
- Logic G1000 desktop power grommet (Y1425.C or Y1425.F) with plug end power cord option (A) or Logic G1200 nonpowered grommet pass thru (Y1420.V)

Dimensions



Specification Information

Step 1.

BRCD. A

Step 2. Adjustability

A adjustable A
F fixed height A

Step 3. Electrical Cutout Type

D desk electrical cutout A

Step 4. Desk Top Material Type

L laminate A
T formcoat® A
W veneer A

Step 5. Workbase Orientation

EE both ends finished - end/end A
EM left finished end - end/mid A
ME right finished end - mid/end A
MM both ends unfinished - mid/mid A

Step 6. Workbase Accessory Cutout

N no cutout A
S workbase screen cutout A

Step 7. Workbase Panel Material

M low-pressure laminate A
W veneer A

Prices for Steps 1-7.

	LEENM	LEENW	LEESM	LEESW	LEMNM	LEMNW
BRCD. A D	\$10470	11395	10470	11395	10360	11285
F D	\$8440	9365	8440	9365	8330	9255

	LEMSM	LEMSW	LMENM	LMENW	LMESM	LMESW
BRCD. A D	\$10360	11285	10360	11285	10360	11285
F D	\$8330	9255	8330	9255	8330	9255

	LMMNM	LMMNW	LMSM	LMSW	TEENM	TEENW
BRCD. A D	\$10280	11205	10280	11205	10710	11635
F D	\$8250	9175	8250	9175	8680	9605

	TEESM	TEESW	TEMNM	TEMNW	TEMSM	TEMSW
BRCD. A D	\$10710	11635	10600	11525	10600	11525
F D	\$8680	9605	8570	9495	8570	9495

Combination D/T Double *continued*

		TMENM	TMENW	TMESM	TMESW	TMMNM	TMMNW
BRCD.	A D	\$10600	11525	10600	11525	10520	11445
	F D	\$8570	9495	8570	9495	8490	9415

		TMMSM	TMSW	WEENM	WEENW	WEESM	WEESW
BRCD.	A D	\$10520	11445	12460	13385	12460	13385
	F D	\$8490	9415	10430	11355	10430	11355

		WEMNM	WEMNW	WESM	WESW	WMENM	WMENW
BRCD.	A D	\$12350	13275	12350	13275	12350	13275
	F D	\$10320	11245	10320	11245	10320	11245

		WMESM	WMESW	WMMNM	WMMNW	WMMSM	WMMSW
BRCD.	A D	\$12350	13275	12270	13195	12270	13195
	F D	\$10320	11245	10240	11165	10240	11165

Step 8. Desk Top Finish

For laminate (L)

8Q	folkstone grey <input type="checkbox"/>	+\$0
91	white <input type="checkbox"/>	+\$0
LBA	clear on ash <input type="checkbox"/>	+\$0
LBU	medium matte walnut <input type="checkbox"/>	+\$0
LBB	oak on ash <input type="checkbox"/>	+\$0
LBC	walnut on ash <input type="checkbox"/>	+\$0
LBF	neutral twill <input type="checkbox"/>	+\$0
LBG	sarum twill <input type="checkbox"/>	+\$0
LBH	earthen twill <input type="checkbox"/>	+\$0
LBJ	graphite twill <input type="checkbox"/>	+\$0
LBK	pewter mesh <input type="checkbox"/>	+\$0
LBL	steel mesh <input type="checkbox"/>	+\$0
LBM	crisp linen <input type="checkbox"/>	+\$0
LBN	classic linen <input type="checkbox"/>	+\$0
LBP	casual linen <input type="checkbox"/>	+\$0
LBQ	white twill <input type="checkbox"/>	+\$0

For formcoat® (T)

8Q	folkstone grey <input type="checkbox"/>	+\$0
91	white <input type="checkbox"/>	+\$0

For veneer (W)

ET	clear on ash <input type="checkbox"/>	+\$0
EU	oak on ash <input type="checkbox"/>	+\$0
EV	walnut on ash <input type="checkbox"/>	+\$0

Step 9. Desk Understructure Finish

8Q	folkstone grey <input type="checkbox"/>	+\$0
91	white <input type="checkbox"/>	+\$0
G1	graphite <input type="checkbox"/>	+\$0

Step 10. Workbase Top Finish

8Q	folkstone grey <input type="checkbox"/>	+\$0
91	white <input type="checkbox"/>	+\$0
G1	graphite <input type="checkbox"/>	+\$0

Step 11. Workbase Panel Finish

For low-pressure laminate (M)

8Q	folkstone grey <input type="checkbox"/>	+\$0
91	white <input type="checkbox"/>	+\$0
G1	graphite <input type="checkbox"/>	+\$0

For veneer (W)

ET	clear on ash <input type="checkbox"/>	+\$0
EU	oak on ash <input type="checkbox"/>	+\$0
EV	walnut on ash <input type="checkbox"/>	+\$0

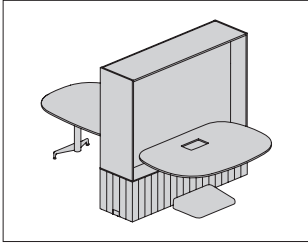
Step 12. Workbase Storage Option

AJS	adjustable shelf <input type="checkbox"/>	+\$0
------------	---	------

Step 13. Footrest Finish

G1	graphite <input type="checkbox"/>	+\$0
SG	slate grey <input type="checkbox"/>	+\$0

Combination D/T with Full Display BRCDF.



Product Information

Description

This module combines a D-desk single work station and a T-peninsula single with enclosed storage and full display. The D-desk is oriented parallel to the Workbase. The peninsula is centered on, and oriented perpendicular to the Workbase. The module is freestanding or can be connected end to end with other Locale® modules.

The Workbase provides enclosed storage that can be accessed from both sides. It has 2" (51mm) leveling glides and contains 2 storage compartments, 1 accessible from the right side of each desk. Storage compartments each have an adjustable shelf and a removable bottom shelf for access to power and data raceway. Doors have a push latch. The grooved panel exterior minimizes the appearance of individual doors. The module is available in laminate or veneer. The Workbase top is 1/2" (13mm) thick, available in laminate.

The Workbase is nonpowered. Modular power blocks, harnesses and receptacles must be ordered separately to power the unit and pass power to connecting modules. Hardwire options are available. A power pass-through cutout is on either end of the Workbase. Finished ends include a cutout cover.

The D-desk surface is cantilevered off the Workbase, supported by a column with outrigger supports at the floor. Outrigger supports have an ABS plastic cover which functions as a foot rest. The peninsula surface is supported by a column, centered on the Workbase. It has a single outboard leg.

The desk and peninsula are specified as fixed height at 29" (736mm) high, or height adjustable. Both the adjustable desk and adjustable peninsula have electrical height adjustment with an included control lever that can be mounted on the left or right. Desk and peninsula surface height ranges are 25" (635mm) to 49" (1244mm). Desk and peninsula are 3/4" (19mm) thick and are available in square edge laminate or veneer, or thin edge Formcoat®. Both surfaces have a cutout for user power components which must be ordered separately. The D-desk cutout accepts a 5-module desktop power unit, while the T-peninsula accepts a 3-module desktop power unit. Cable management trays are included. Tray finishes match understructure finishes. A through-mount hole with grommet cover is provided on both surfaces for monitor arm support.

The full display unit has a center dividing panel and can hold a tackboard on either side. The unit is available in laminate.

Notes

Mounting a monitor on the full display is not recommended and will interfere with height adjustability.

Exposed end of Workbase must be finished. Unfinished ends have predrilled holes for connecting units together. Specify correct option based on Workbase orientation and number of modules connecting together. Left and right specification is defined from the D-desk side of the Workbase. Connecting hardware included.

For laminate (M) Workbase, interior finish matches exterior finish. For veneer (W) Workbase, interior finish matches Workbase top finish.

Finished end cutout covers for laminate (M) Workbase match the Workbase finish. For veneer (W) Workbase, finished end cutout covers match the laminate full display.

During installation, power and data cables are routed through the desk column from the Workbase to the cable management tray. Workbase panels in front of column are removable for access.

Recommend Flo® single-screen monitor arm support with Locale through surface mount attachment bracket (Y91171.LOC), ordered separately.

Monitor arms must be compatible with 3/4" (19mm) thick surfaces. Clamp mount arms cannot be mounted in center back of D-desk surface.

For Workbases with locks, and for electrical access at the Workbase top, contact Options.

See Planning Guide for configurations and desk edge detail.

For laminate (L) desk top material, edge and grommet colors are predetermined:

Laminate—Edgeband Color—Monitor Hole Grommet Cover Color

Neutral Twill (LBF)—Sandstone (WL)—White (G1)

Sarum Twill (LBG)—Folkstone Grey (8Q)—Folkstone Grey (8Q)

Earthen Twill (LBH)—Medium Tone (MT)—Graphite (G2)

Graphite Twill (LBJ)—Medium Tone (MT)—Graphite (G2)

White Twill (LBQ)—White (G1)—White (G1)

Pewter Mesh (LBK)—Warm Grey Neutral (WN)—Graphite (G2)

Steel Mesh (LBL)—Slate Grey (SG)—Graphite (G2)

Crisp Linen (LBM)—Folkstone Grey (8Q)—Folkstone Grey (8Q)

Classic Linen (LBN)—Sandstone (WL)—White (G1)

Casual Linen (LBP)—Warm Grey Neutral (WN)—Graphite (G2)

Clear on Ash (LBA)—White (G1)—White (G1)

Oak on Ash (LBB)—Medium Tone (MT)—Graphite (G2)

Walnut on Ash (LBC)—Medium Tone (MT)—Graphite (G2)

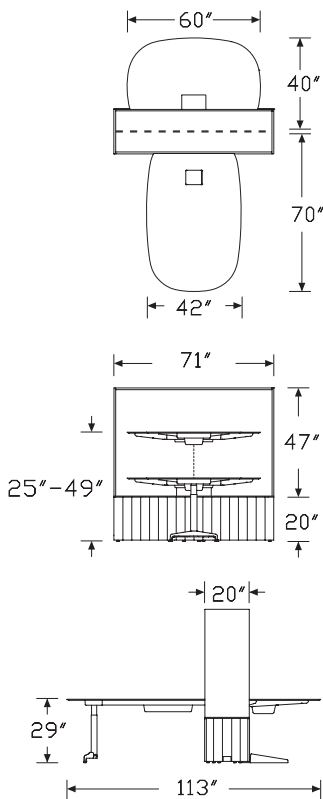
Combination D/T with Full Display

continued

Order these products separately:

- Power entry (BRE01. or BRE02.)
- Power block (BRE03.)
- Power duplex (BRE04.)
- Power jumper (BRE05.)
- Modular receptacle (BRE06.)
- Display tackboard (BRTB.)
- Desktop 3-module power unit (Y1425.A or Y1425.E)
- Desktop 5-module power unit (Y1425.C or Y1425.F)

Dimensions



Specification Information

Step 1.

BRCDF. A

Step 2. Adjustability

A adjustable A

F fixed height A

Step 3. Electrical Cutout Type

D desk electrical cutout A

Step 4. Desk Top Material Type

L laminate A

T formcoat® A

W veneer A

Step 5. Workbase Orientation

EE both ends finished - end/end A

EM left finished end - end/mid A

ME right finished end - mid/end A

MM both ends unfinished - mid/mid A

Step 6. Workbase Panel Material

M low-pressure laminate A

W veneer A

Step 7. Upper Display Material

For low-pressure laminate (M)

M low-pressure laminate A

For veneer (W)

M low-pressure laminate A

Prices for Steps 1-7.

		LEEMM	LEEWM	LEMMM	LEMWM	LMEMM	LMEWM
BRCDF. A	D	\$12830	13755	12720	13645	12720	13645
	F D	\$10800	11725	10690	11615	10690	11615
		LMMMM	LMMWM	TEEMM	TEEWM	TEMMM	TEMWM
BRCDF. A	D	\$12640	13565	13070	13995	12960	13885
	F D	\$10610	11535	11040	11965	10930	11855
		TMEMM	TMEWM	TMMMM	TMMWM	WEEMM	WEEWM
BRCDF. A	D	\$12960	13885	12880	13805	14820	15745
	F D	\$10930	11855	10850	11775	12790	13715

Combination D/T with Full Display

continued

Locale® Desking

		WEMMM	WEMWM	WEMMM	WMEWM	WMMMM	WMMWM
BRCDF. A D		\$14710	15635	14710	15635	14630	15555
F D		\$12680	13605	12680	13605	12600	13525

Step 8. Desk Top Finish

For laminate (L)

8Q	folkstone grey <input type="checkbox"/>	+\$0
91	white <input type="checkbox"/>	+\$0
LBA	clear on ash <input type="checkbox"/>	+\$0
LBU	medium matte walnut <input type="checkbox"/>	+\$0
LBB	oak on ash <input type="checkbox"/>	+\$0
LBC	walnut on ash <input type="checkbox"/>	+\$0
LBF	neutral twill <input type="checkbox"/>	+\$0
LBG	sarum twill <input type="checkbox"/>	+\$0
LBH	earthen twill <input type="checkbox"/>	+\$0
LBJ	graphite twill <input type="checkbox"/>	+\$0
LBK	pewter mesh <input type="checkbox"/>	+\$0
LBL	steel mesh <input type="checkbox"/>	+\$0
LBM	crisp linen <input type="checkbox"/>	+\$0
LBN	classic linen <input type="checkbox"/>	+\$0
LBP	casual linen <input type="checkbox"/>	+\$0
LBQ	white twill <input type="checkbox"/>	+\$0

For formcoat® (T)

8Q	folkstone grey <input type="checkbox"/>	+\$0
91	white <input type="checkbox"/>	+\$0

For veneer (W)

ET	clear on ash <input type="checkbox"/>	+\$0
EU	oak on ash <input type="checkbox"/>	+\$0
EV	walnut on ash <input type="checkbox"/>	+\$0

Step 9. Desk Understructure Finish

8Q	folkstone grey <input type="checkbox"/>	+\$0
91	white <input type="checkbox"/>	+\$0
G1	graphite <input type="checkbox"/>	+\$0

Step 10. Workbase Panel Finish

For low-pressure laminate (M)

8Q	folkstone grey <input type="checkbox"/>	+\$0
91	white <input type="checkbox"/>	+\$0
G1	graphite <input type="checkbox"/>	+\$0

For veneer (W)

ET	clear on ash <input type="checkbox"/>	+\$0
EU	oak on ash <input type="checkbox"/>	+\$0
EV	walnut on ash <input type="checkbox"/>	+\$0

Step 11. Workbase Storage Option

AJS	adjustable shelf <input type="checkbox"/>	+\$0
------------	---	------

Step 12. Upper Display Finish

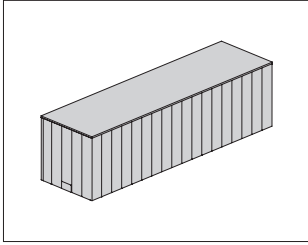
8Q	folkstone grey <input type="checkbox"/>	+\$0
91	white <input type="checkbox"/>	+\$0
G1	graphite <input type="checkbox"/>	+\$0

Step 13. Footrest Finish

G1	graphite <input type="checkbox"/>	+\$0
SG	slate grey <input type="checkbox"/>	+\$0

Workbase

BRWB.



Product Information

Description

This Workbase has enclosed storage that can be accessed from both sides. It is freestanding or can be connected end to end with other Locale™ modules. It has 2" leveling glides. The Workbase has 3 sections; either 3 storage sections with adjustable shelves and removable bottom shelf for access to power and cable raceway, or 2 storage sections on either side of a center power section. Doors have a push latch. The grooved panel exterior minimizes the appearance of individual doors. The panels are available in laminate or veneer. The Workbase top is 1/2" (13mm) thick, available in laminate.

The Workbase provides power and data pass through only, or modular power capability. Finished ends include a cutout cover.

Notes

Exposed end of Workbase must be finished. Unfinished ends have predrilled holes for connecting units together. Specify correct option based on Workbase orientation and number of modules connecting together. Left and right specification is defined from the side of the Workbase with the most doors. Connecting hardware included.

The wood grain for veneer Workbase panels is vertical.

For laminate (M) Workbases, the interior finish matches exterior finish.

For veneer (W) Workbases, the interior finish matches the Workbase top finish.

Finished end cutout covers for laminate (M) Workbases match the Workbase finish. For veneer (W) Workbases, finished end cutout covers match the Workbase top finish.

Workbase top electrical cutout option (G) locates cutouts and grommets on either side of the center section. This option also enables a nonpowered Workbase to accept modular power components.

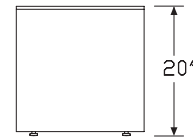
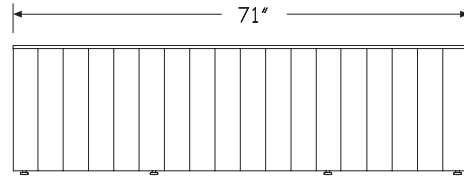
When specifying workbase screen (BRWBS.), specify Workbase accessory cutout (S) to match.

For Workbases with locks, contact Options.

Order these products separately:

- Power entry (BRE01. or BRE02.)
- Power jumper (BRE05.)
- Workbase screen (BRWBS.)
- Bench cushion (BRBC.)

Dimensions



Locale® Storage

Specification Information

Step 1.

BRWB. A

Step 2. Workbase Orientation

EE both ends finished - end/end A

EM left finished end - end/mid A

ME right finished end - mid/end A

MM both ends unfinished - mid/mid A

Step 3. Workbase Electrical Cutout

N no cutout A

G workbase top electrical cutout A

Step 4. Workbase Accessory Cutout

N no cutout A

S workbase screen cutout A

Step 5. Door Configuration

For no cutout (N)

3 alternating doors A

For workbase top electrical cutout (G)

1 front doors A

3 alternating doors A

Step 6. Workbase Panel Material

M low-pressure laminate A

W veneer A

Prices for Steps 1-6.

			N1M	N1W	N3M	N3W	S1M	S1W		
BRWB.	EE	N	—	—	\$2710	3630	—	—		
		G	\$3100	4020	3100	4020	3100	4020		
	EM	N	—	—	\$2590	3510	—	—		
		G	\$2980	3900	2980	3900	2980	3900		
	ME	N	—	—	\$2590	3510	—	—		
		G	\$2980	3900	2980	3900	2980	3900		
	MM	N	—	—	\$2565	3485	—	—		
		G	\$2955	3875	2955	3875	2955	3875		
									S3M	S3W
BRWB.	EE	N					\$2710	3630		
		G					\$3100	4020		
	EM	N					\$2590	3510		
		G					\$2980	3900		

ME	N	\$2590	3510
	G	\$2980	3900
MM	N	\$2565	3485
	G	\$2955	3875

Step 7. Workbase Panel Finish

For low-pressure laminate (M)

8Q	folkstone grey <input type="checkbox"/> A	+\$0
91	white <input type="checkbox"/> A	+\$0
G1	graphite <input type="checkbox"/> A	+\$0

For veneer (W)

ET	clear on ash <input type="checkbox"/> A	+\$0
EU	oak on ash <input type="checkbox"/> A	+\$0
EV	walnut on ash <input type="checkbox"/> A	+\$0

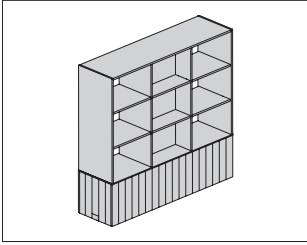
Step 8. Workbase Top Finish

8Q	folkstone grey <input type="checkbox"/> A	+\$0
91	white <input type="checkbox"/> A	+\$0
G1	graphite <input type="checkbox"/> A	+\$0

Step 9. Workbase Storage Option

AJS	adjustable shelf <input type="checkbox"/> A	+\$0
------------	---	------

Workbase with Upper Shelving BRWUS.



Product Information

Description

This Workbase with upper shelving has both open and enclosed storage that can be accessed from both sides. It is freestanding or can be connected end to end with other Locale modules. The Workbase has 2" (51mm) leveling glides and contains 3 storage compartments, each with an adjustable shelf and a removable bottom shelf for access to a power and data raceway. Doors have a push latch. The grooved panel exterior minimizes the appearance of individual doors. The Workbase panels are available in laminate or veneer. The Workbase top is 1/2" (13mm) thick, available in laminate.

The Workbase provides power and data routing. The finished ends include a cutout cover.

The upper shelving is divided into 3 sections vertically and horizontally: a middle vertical section with center divided panel, and 2 side sections with open shelving. All shelves are fixed. Available in laminate.

Notes

Exposed end of workbase must be finished. Unfinished ends have predrilled holes for connecting units together. Specify correct option based on workbase orientation and number of modules connecting together. Left and right specification is defined from the side of the Workbase with the most doors. Connecting hardware included.

The wood grain for veneer Workbase panels is vertical.

For laminate (M) Workbases, the interior finish matches exterior finish.

For veneer (W) Workbases, the interior finish matches the laminate upper shelving finish.

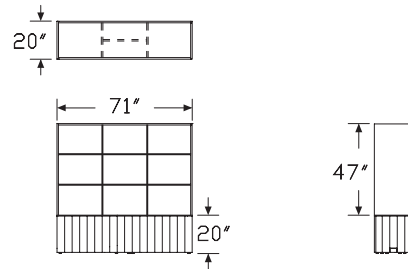
Finished end cutout covers for laminate (M) Workbases match the Workbase finish. For veneer (W) Workbases, finished end cutout covers match the laminate upper shelving finish.

For Workbases with locks, and for electrical access at the Workbase top, contact Options.

Order these products separately:

- Power entry (BRE01. or BRE02.)
- Power jumper (BRE05.)

Dimensions



Workbase with Upper Shelving

continued

Locale® Storage

Specification Information

Step 1.

BRWUS. A

Step 2. Workbase Orientation

EE both ends finished - end/end A

EM left finished end - end/mid A

ME right finished end - mid/end A

MM both ends unfinished - mid/mid A

Step 3. Workbase Electrical Cutout

N no cutout A

Step 4. Door Configuration

3 alternating doors A

Step 5. Workbase Panel Material

M low-pressure laminate A

W veneer A

Step 6. Upper Shelving Material

M low-pressure laminate A

Prices for Steps 1-6.

	3MM	3WM
BRWUS.EE N	\$4795	5715
EM N	\$4715	5635
ME N	\$4715	5635
MM N	\$4690	5610

Step 7. Workbase Panel Finish

For low-pressure laminate (M)

8Q folkstone grey A +\$0

91 white A +\$0

G1 graphite A +\$0

For veneer (W)

ET clear on ash A +\$0

EU oak on ash A +\$0

EV walnut on ash A +\$0

Step 8. Workbase Storage Option

AJS adjustable shelf A +\$0

Step 9. Shelving Unit Finish

For low-pressure laminate (M)

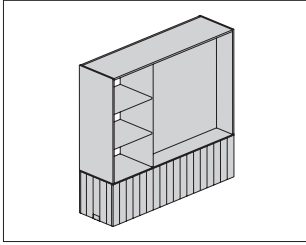
8Q folkstone grey A +\$0

91 white A +\$0

G1 graphite A +\$0

Workbase with Partial Display

BRWUP.



Product Information

Description

This Workbase with partial display has both open and enclosed storage that can be accessed from both sides. It is freestanding or can be connected end to end with other Locale™ modules. It has 2" leveling glides. The Workbase has 3 sections; either 3 storage sections with adjustable shelves and removable bottom shelf for access to power and cable raceway, or 2 storage sections and 1 power section located at the end below the display unit. Doors have a push latch. The grooved panel exterior minimizes the appearance of individual doors. The Workbase panels are available in laminate or veneer. The Workbase top is 1/2" (13mm) thick, available in laminate.

The Workbase provides power and data pass through only, or modular power capability. Finished ends include a cutout cover.

The partial display unit is divided into 2 vertical sections and is handed.

The large display section has a center dividing panel and can hold a tackboard on either side. The smaller section has 3 fixed open shelves.

The unit is available in laminate.

Notes

Exposed end of Workbase must be finished. Unfinished ends have predrilled holes for connecting units together. Specify correct option based on desired large display orientation, Workbase orientation and number of modules connecting together. Left and right specification is defined from the side of the Workbase with the most doors. Connecting hardware included.

The wood grain for veneer Workbase panels is vertical.

For laminate (M) Workbase, the interior finish matches exterior finish.

For veneer (W) Workbase, the interior finish matches the laminate partial display finish.

Workbase top electrical cutout option (G) locates cutouts and grommets on either side of the display end section. This option also enables a nonpowered Workbase to accept modular power components.

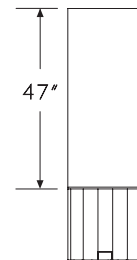
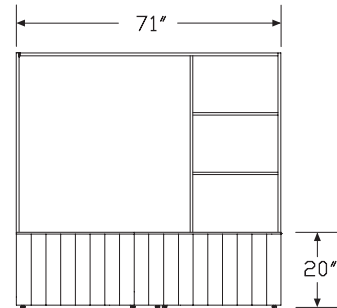
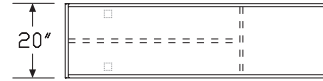
Finished end cutout covers for laminate (M) Workbase match the Workbase finish. For veneer (W) Workbase, finished end cutout covers match the laminate partial display finish.

For Workbases with locks, and for electrical access at the Workbase top, contact Options.

Order these products separately:

- Power entry (BRE01. or BRE02.)
- Power jumper (BRE05.)
- Display tackboard (BRTB.PD)

Dimensions



Locale® Storage

Workbase with Partial Display

continued

Locale® Storage

Specification Information

Step 1.

BRWUP. A

Step 2. Application

L partial display left A

R partial display right A

Step 3. Workbase Orientation

EE both ends finished - end/end A

EM left finished end - end/mid A

ME right finished end - mid/end A

MM both ends unfinished - mid/mid A

Step 4. Workbase Electrical Cutout

N no cutout A

G workbase top electrical cutout A

Step 5. Door Configuration

For no cutout (N)

3 alternating doors A

For workbase top electrical cutout (G)

1 front doors A

3 alternating doors A

Step 6. Workbase Panel Material

M low-pressure laminate A

W veneer A

Step 7. Upper Display Material

For low-pressure laminate (M)

M low-pressure laminate A

For veneer (W)

M low-pressure laminate A

Prices for Steps 1-7.

		N3MM	N3WM	G1MM	G1WM	G3MM	G3WM
BRWUP.L	EE	\$5025	5950	5415	6340	5415	6340
	EM	\$4945	5870	5335	6260	5335	6260
	ME	\$4945	5870	5335	6260	5335	6260
	MM	\$4920	5845	5310	6235	5310	6235

R	EE	\$5025	5950	5415	6340	5415	6340
	EM	\$4945	5870	5335	6260	5335	6260
	ME	\$4945	5870	5335	6260	5335	6260
	MM	\$4920	5845	5310	6235	5310	6235

Step 8. Workbase Panel Finish

For low-pressure laminate (M)

8Q folkstone grey A +\$0

91 white A +\$0

G1 graphite A +\$0

For veneer (W)

ET clear on ash A +\$0

EU oak on ash A +\$0

EV walnut on ash A +\$0

Step 9. Workbase Storage Option

AJS adjustable shelf A +\$0

Step 10. Shelving Unit Finish

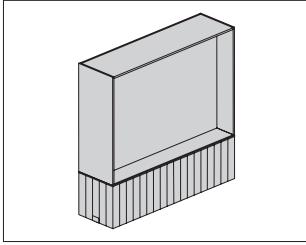
8Q folkstone grey A +\$0

91 white A +\$0

G1 graphite A +\$0

Workbase with Full Display

BRWUF.



Product Information

Description

This Workbase with full display has display and storage that can be accessed from both sides. It is a freestanding module or can be connected end to end with other Locale™ modules. It has 2" leveling glides. The Workbase has 3 sections; either 3 storage sections with adjustable shelves and removable bottom shelf for access to power and cable raceway, or 2 storage sections on either side of a center power section. Doors have a push latch. The grooved panel exterior minimizes the appearance of individual doors. The Workbase panels are available in laminate or veneer. The Workbase top is 1/2" (13mm) thick, available in laminate.

The Workbase provides power and data pass through only, or modular power capability. Finished ends include a cutout cover.

The full display unit has a center dividing panel and can hold a tackboard on either side. The unit is available in laminate.

Notes

Exposed end of Workbase must be finished. Unfinished ends have predrilled holes for connecting units together. Specify correct option based on Workbase orientation and number of modules connecting together. Left and right specification is defined from the side of the Workbase with the most doors. Connecting hardware included.

The wood grain for veneer Workbase panels is vertical.

For laminate (M) Workbase, the interior finish matches exterior finish.

For veneer (W) Workbase, the interior finish matches the laminate full display finish.

Workbase top electrical cutout option (G) locates cutouts and grommets on either side of the center section. This option also enables a nonpowered Workbase to accept modular power components.

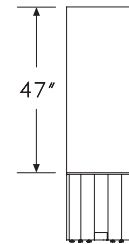
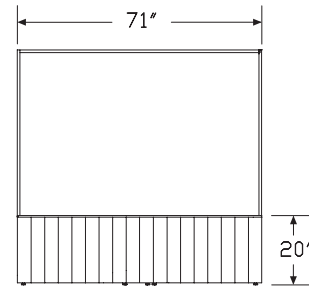
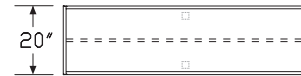
Finished end cutout covers for laminate (M) Workbase match the Workbase finish. For veneer (W) Workbase, finished end cutout covers match the laminate full display finish.

For Workbases with locks, and for electrical access at the Workbase top, contact Options.

Order these products separately:

- Power entry (BRE01. or BRE02.)
- Power jumper (BRE05.)
- Display tackboard (BRTB.FD)

Dimensions



Locale® Storage

Specification Information

Step 1.

BRWUF. A

Step 2. Workbase Orientation

EE both ends finished - end/end A

EM left finished end - end/mid A

ME right finished end - mid/end A

MM both ends unfinished - mid/mid A

Step 3. Workbase Electrical Cutout

N no cutout A

G workbase top electrical cutout A

Step 4. Door Configuration

For no cutout (N)

3 alternating doors A

For workbase top electrical cutout (G)

1 front doors A

3 alternating doors A

Step 5. Workbase Panel Material

M low-pressure laminate A

W veneer A

Step 6. Upper Display Material

For low-pressure laminate (M)

M low-pressure laminate A

For veneer (W)

M low-pressure laminate A

Prices for Steps 1-6.

		1MM	1WM	3MM	3WM
BRWUF.EE	N	—	—	\$5025	5950
	G	\$5415	6340	5415	6340
EM	N	—	—	\$4945	5870
	G	\$5335	6260	5335	6260
ME	N	—	—	\$4945	5870
	G	\$5335	6260	5335	6260
MM	N	—	—	\$4920	5845
	G	\$5310	6235	5310	6235

Step 7. Workbase Panel Finish

For low-pressure laminate (M)

8Q folkstone grey A +\$0

91 white A +\$0

G1 graphite A +\$0

For veneer (W)

ET clear on ash A +\$0

EU oak on ash A +\$0

EV walnut on ash A +\$0

Step 8. Workbase Storage Option

AJS adjustable shelf A +\$0

Step 9. Shelving Unit Finish

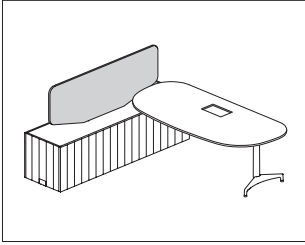
8Q folkstone grey A +\$0

91 white A +\$0

G1 graphite A +\$0

Workbase Screen

BRWBS.



Product Information

Description

This screen provides a visual privacy for the Workbase. It mounts on the center of the Workbase and extends along the length of the Workbase. It comes in 2 heights, and is available with either tackable, fabric-covered surfaces or whiteboard. Mounting hardware included.

Notes

When ordering Workbase (BRWB.) or D-desk, L-desk, T-peninsula or D/T combination modules, Workbase screen cutout option (S) must be specified.

Screen cannot be used with bench cushion (BRBC.) on the same Workbase.

For laminate (LL) screen material, edge colors are predetermined:

Laminate—Edge Color

Neutral Twill (LBF)—Sandstone (WL)

Sarum Twill (LBG)—Folkstone Grey (8Q)

Earthen Twill (LBH)—Medium Tone (MT)

Graphite Twill (LBJ)—Medium Tone (MT)

White Twill (LBQ)—White (g1)

Pewter Mesh (LBK)—Warm Grey Neutral (WN)

Steel Mesh (LBL)—Slate Grey (SG)

Crisp Linen (LBM)—Folkstone Grey (8Q)

Classic Linen (LBN)—Sandstone (WL)

Casual Linen (LBP)—Warm Grey Neutral (WN)

Clear on Ash (LBA)—White (g1)

Oak on Ash (LBB)—Medium Tone (MT)

Walnut on Ash (LBC)—Medium Tone (MT)

Workbase screen accepts Customer's Own Material (COM). Yardage is estimated for nondirectional 54"-wide fabrics.

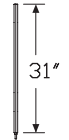
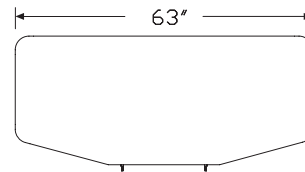
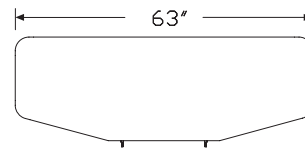
Height—Yardage

42—2.05

52—4.10

For information on multiple quantities or directional fabrics, contact COM Department. See Order Information in Appendices.

Dimensions



Specification Information

Step 1.

BRWBS. A

Step 2. Height

42 42" high (1066 mm) A

52 51" high (1295 mm) A

Step 3. Material

For 42" high (1066 mm) (42)

FF tackable fabric A

BB whiteboard A

LL laminate A

For 51" high (1295 mm) (52)

FF tackable fabric A

LL laminate A

Prices for Steps 1-3.

	FF	BB	LL
BRWBS.42	\$705	635	477
52	\$860	—	673

Step 4.

For tackable fabric (FF)

	42	52
Price Category 1	+\$0	0
Price Category 2	+\$22	44
Price Category 3	+\$44	88
Price Category 4	+\$88	176

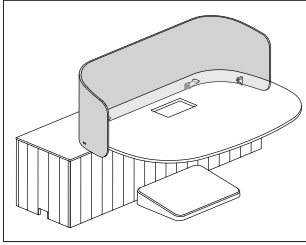
Surface Finish: Laminate Selection

For laminate (LL)

LBA	clear on ash <input type="checkbox"/> A	+\$0
LBU	medium matte walnut <input type="checkbox"/> A	+\$0
LBB	oak on ash <input type="checkbox"/> A	+\$0
LBC	walnut on ash <input type="checkbox"/> A	+\$0
LBF	neutral twill <input type="checkbox"/> A	+\$0
LBG	sarum twill <input type="checkbox"/> A	+\$0
LBH	earthen twill <input type="checkbox"/> A	+\$0
LBJ	graphite twill <input type="checkbox"/> A	+\$0
LBK	pewter mesh <input type="checkbox"/> A	+\$0
LBL	steel mesh <input type="checkbox"/> A	+\$0
LBM	crisp linen <input type="checkbox"/> A	+\$0
LBN	classic linen <input type="checkbox"/> A	+\$0
LBP	casual linen <input type="checkbox"/> A	+\$0
LBQ	white twill <input type="checkbox"/> A	+\$0

D-Desk Screen

BRDDS.



Product Information

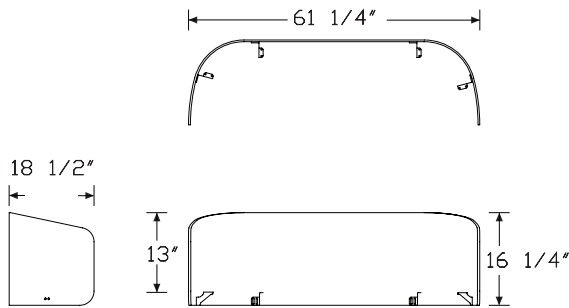
Description

This screen provides visual privacy on a D-desk. It mounts to the desk using predrilled holes. It extends 13" above, and 2³/₄" below the desk surface, and projects forward 18¹/₂" on either side of the surface. The screen comes in 2 pieces which attach together with ganging hardware to make a complete, double curved screen. It has a tackable interior surface with fabric on both sides. Mounting hardware included.

Notes

Mounting position provides an 1¹/₁₆" gap between the screen and D-desk surface for cord routing. Attachment brackets support cord routing.
 D-desk screen is not compatible with Workbase screen (BRWBS.).

Dimensions



Specification Information

Step 1.

BRDDS. [A] \$1605

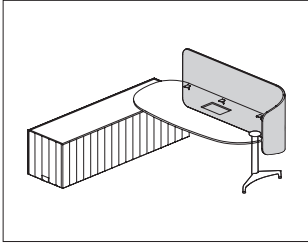
Step 2. Fabric

Price Category 1 +\$0
 Price Category 2 +\$28
 Price Category 4 +\$110

Locale® Screens and Display

L-Desk Screen

BRLDS.



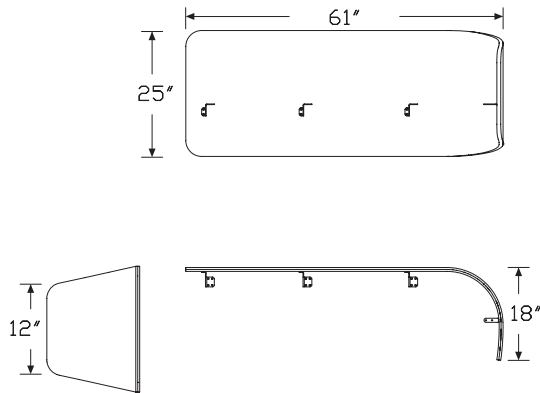
Locale® Screens and Display

Product Information

Description
 This screen provides visual privacy to the L-desk. It is mounted to the desk using predrilled holes. It is 24½" (625mm) high, extending 13¼" (337mm) above the desk surface and providing partial modesty of approximately 10" (254mm) below the surface. It comes in left or right orientation, and has a tackable interior surface with fabric on both sides. Mounting hardware included.

Notes
 Specify screen orientation to match L-desk orientation.
 Upon mounting, a 5/8" (17mm) gap is created between the screen and L-desk surface for cord routing.
 The L-desk mounting hardware accommodates a standard US plug for cord routing.

Dimensions



Specification Information

Step 1.

BRLDS. A

Step 2. Orientation

L left A

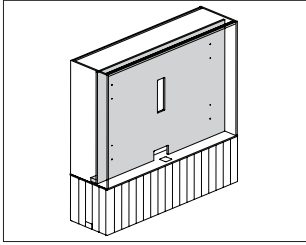
R right A

Prices for Steps 1-2.

BRLDS. L	\$940
R	\$940

Step 3. Fabric

Price Category 1	+\$0
Price Category 2	+\$28
Price Category 4	+\$110



Product Information

Description

This monitor kit mounts inside the display section of a Locale® module with full or partial display. It supports a wall mount monitor bracket (supplied by others), creates an offset from the center spine of the display section, and has a cutout for monitor cord routing. Power is available through access to modular receptacles located in the Workbase. Cords route through the cutout concealed in the offset and down through a field-cut grommet in the top of the Workbase.

Notes

See planning guide for application details including mounting monitors on both sides of a display unit, modular power planning, cable routing and restrictions.

Display kit can be mounted on either side of a workbase with full display (BRWUF.) or Workbase with partial display (BRWUP.). 1 support kit can support monitors mounted on either side of the Workbase with full or partial display.

For desk modules with full or partial displays, the support kit mounts opposite a single sided D-, L-, or T- module (BRDSF., BRLSP., BRTSF.). Monitors cannot be mounted on the desk side of a height adjustable desk module.

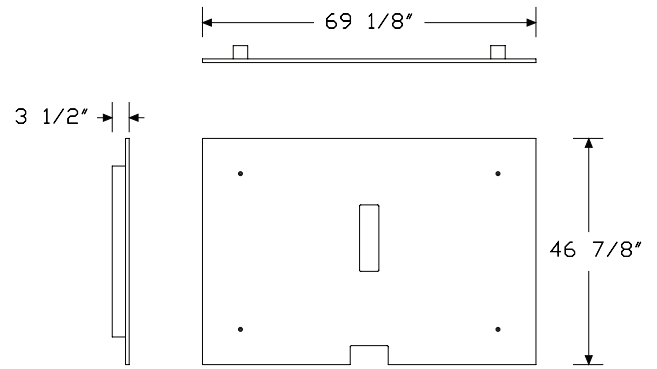
To cover both sides of the display unit, order Locale display tackboards (BRTB.) appropriate to the application. Specify a tackboard with monitor cutout option (MF or MP) where the monitor will be mounted.

For Workbases with full or partial displays, the Workbase top electrical cutout option (G) must be selected to support modular power components within the Workbase.

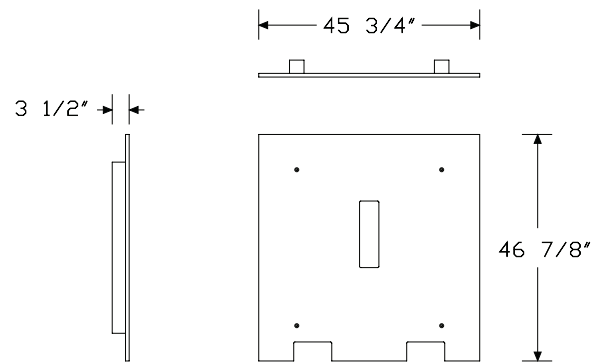
For desk modules, specify the desk top and Workbase top electrical cutout option (G).

See installation instructions for details about the field-cut cord grommet.

Dimensions



Full Display



Partial Display

Display Monitor Support Kit

continued

Locale® Screens and Display

Specification Information

Step 1.

BRMS. A

Step 2. Display Unit Type

PD partial display A

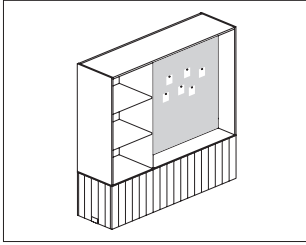
FD full display A

Prices for Steps 1-2.

BRMS. PD	\$563
FD	\$635

Display Tackboards

BRTB.



Product Information

Description

This display tackboard fits inside a Workbase partial or full display. It has a fabric-covered tackable surface and is available with a cutout for a wall mount monitor and support kit. Tackboard mounting hardware included.

Notes

When a display monitor support kit (BRMS.) is used, a tackboard is required on both sides of the display unit.

Order display monitor support kit (BRMS.) separately.

Display tackboard accepts Customer's Own Material (COM). Yardage is estimated for nondirectional 54"-wide fabrics.

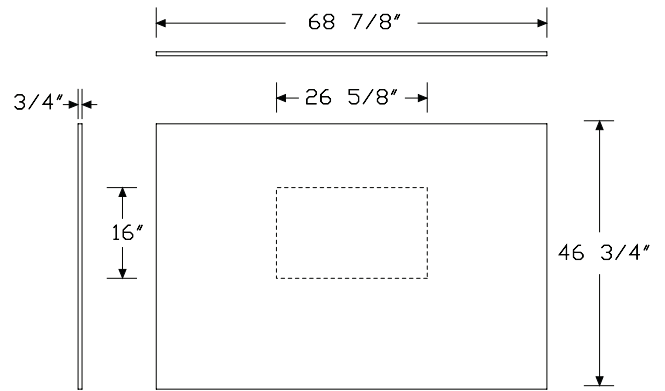
Display unit type—Yardage

FD—2.37

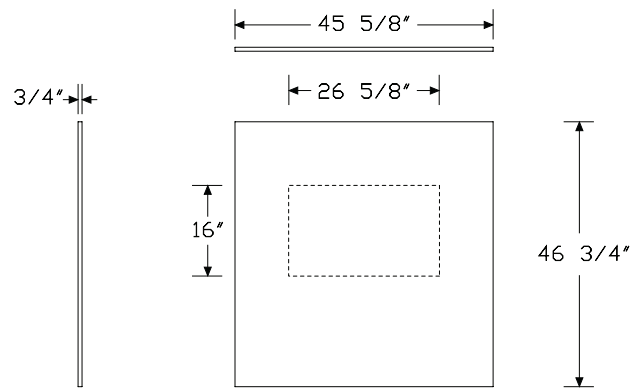
PD—1.61

For information on multiple quantities or directional fabrics, contact COM Department. See Order Information in Appendices.

Dimensions



Full Display with Monitor Cutout (MF)



Partial Display with Monitor Cutout (MP)

Locale® Screens and Display

Specification Information

Step 1.

BRTB. A

Step 2. Display Unit Type

PD partial display A

MP monitor display kit partial display A

FD full display A

MF monitor display kit full display A

Prices for Steps 1-2.

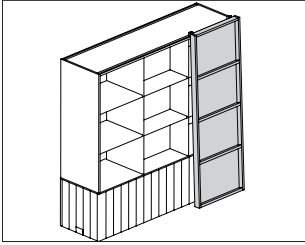
BRTB. PD	\$350
MP	\$415
FD	\$435
MF	\$500

Step 3. Fabric

	PD	MP	FD	MF
Price Category 1	+\$0	0	0	0
Price Category 2	+\$22	22	25	25
Price Category 3	+\$44	44	50	50
Price Category 4	+\$88	88	99	99

Rolling Magazine Rack

BRRM.

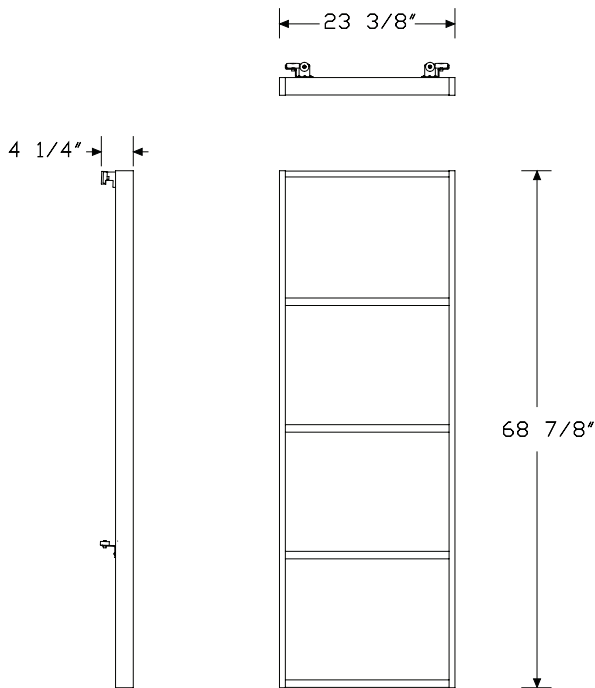


Product Information

Description

This rolling panel mounts and rolls along the top track on any shelving, full display or partial display. It has ledges to support various materials for display and access. Each rack provides a storage ledge that is 1 1/4" (31.6mm) deep and 17" (430mm) high. Mounting hardware included.

Dimensions



Specification Information

Step 1.

BRRM. [A]

Step 2. Material

W veneer [A]

Prices for Steps 1-2.

BRRM. W \$2475

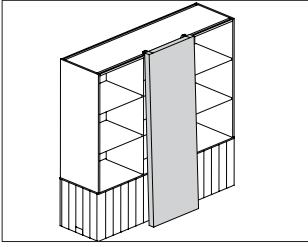
Step 3. Finish

ET	clear on ash [A]	+\$0
EU	oak on ash [A]	+\$0
EV	walnut on ash [A]	+\$0

Locale® Screens and Display

Rolling Whiteboard

BRRW.



Product Information

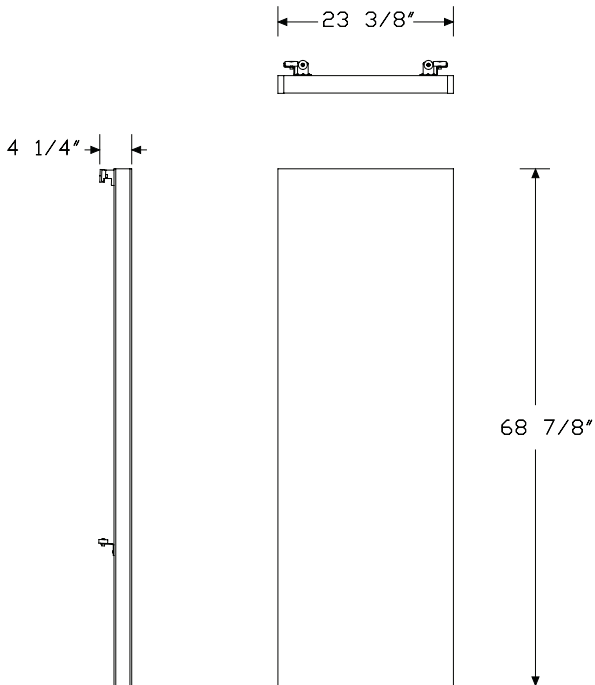
Description
This rolling panel mounts and rolls along the top track on any shelving, full display or partial display module. It has a writable laminate surface. Mounting hardware included.

Specification Information

Step 1.
BRRW. A \$1300

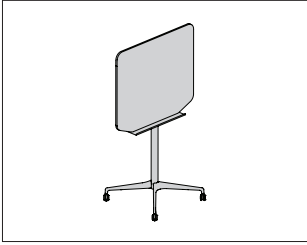
Dimensions

Locale® Screens and Display



Mobile Easel

BRES.



Product Information

Description

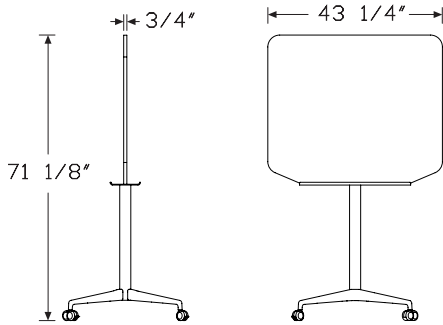
This dual-sided easel has whiteboard surfaces on each side with a squared vinyl edge. The included metal marker and eraser ledge extends on both sides. The easel has 4 casters, 2 locking and 2 non-locking.

Notes

Vinyl edge color is folkstone grey (8Q).

For use with large writing pads, order peg hangers (BRHP.ES) separately.

Dimensions



Specification Information

Step 1.

BRES. A

Step 2. Material

BB whiteboard A

Prices for Steps 1-2.

BRES. BB \$1410

Step 3. Column/Leg Finish

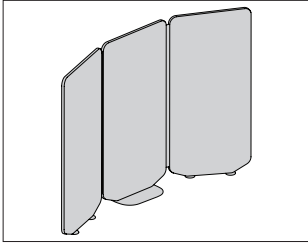
8Q folkstone grey A +\$0

91 white A +\$0

G1 graphite A +\$0

Freestanding Screen

BRFS.



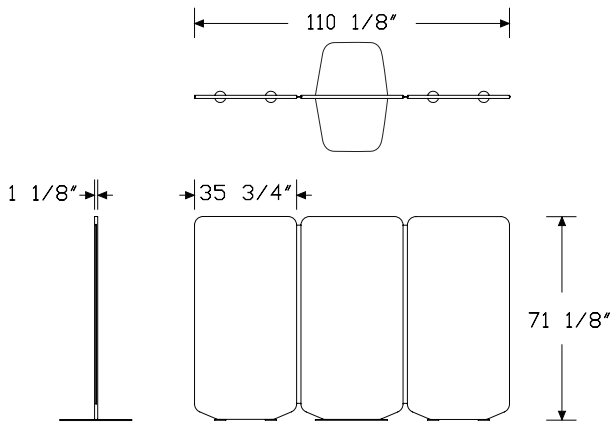
Locale® Screens and Display

Product Information

Description
 This 3-panel folding screen has fabric-covered tackable panels, fabric hinges, and a steel base. The folding end panels include adjustable disk glides allowing a user to set the angle of the side panels and adjust to level. The fabric hinge allows the end panels to fold around the center panel for relocation and storage. Hardware included.

Notes
 Recommended use is with side panels angled at 120° for space delineation.
 Hinges and base are slate grey.
 Freestanding screen accepts Customer's Own Material (COM). Yardage is estimated for nondirectional 54"-wide fabrics. Order 4.80 yards of fabric per screen. For information on multiple quantities or directional fabrics, contact COM department. See order information in appendices.

Dimensions



Specification Information

Step 1.

BRFS. A

Step 2. Configuration

A all panels same fabric A

Prices for Steps 1-2.

BRFS. A \$4687

Step 3. Fabric

Price Category 1 +\$0

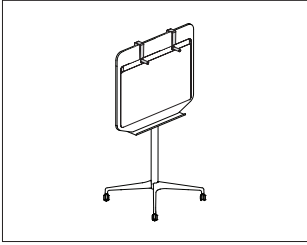
Price Category 2 +\$58

Price Category 3 +\$116

Price Category 4 +\$174

Peg Hangers (Pair)

BRHP.

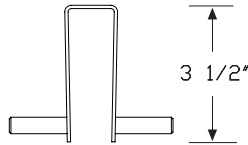
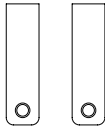
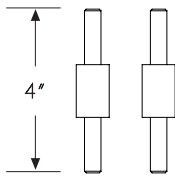


Product Information

Description

These pegs slide over the top of a Locale® mobile easel providing a place to hang a large writing tablet. The pegs can be repositioned and removed as needed. Package of 2.

Dimensions



Specification Information

Step 1.

BRHP. A

Step 2. Type

ES easel A

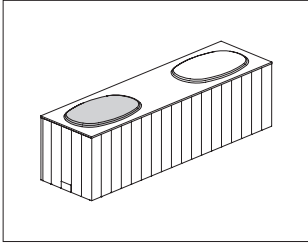
Prices for Steps 1-2.

BRHP. ES

\$110

Bench Cushion

BRBC.



Product Information

Description

This oval cushion provides additional seating on a Workbase top. Nonskid pads included.

Notes

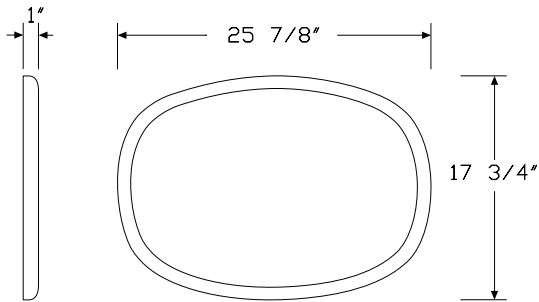
Order 2 cushions to create a bench out of a Workbase (BRWB.), ordered separately.

Order one cushion to create a perch at the end of an L-Desk Workbase.

Bench cushion cannot be used with Workbase screen (BRWBS.) on the same Workbase.

Cushion accepts Customer's Own Material (COM). Yardage is estimated for nondirectional 54"-wide fabrics. Order 0.75 yards of fabric per cushion. For information on multiple quantities or directional fabrics, contact COM Department. See Order Information in Appendices.

Dimensions



Specification Information

Step 1.

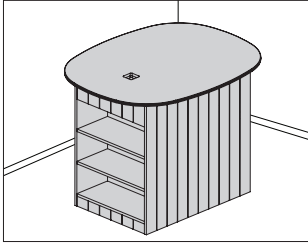
BRBC. A \$195

Step 2. Fabric

Price Category 1	+\$0
Price Category 2	+\$68
Price Category 3	+\$94
Price Category 4	+\$120
Price Category 5	+\$120

Refreshment Center

BRRC.



Product Information

Description

This refreshment center serves as a storage element, a beverage center holder and a standing-height table. Open shelves provide storage on 1 side. Opposite the shelves is a large opening for a beverage or snack dispenser. A grommet at the back of the large opening supports the routing of power cords to building power outlets. The top has a power access grommet to route power cords from the surface top to the building power supply.

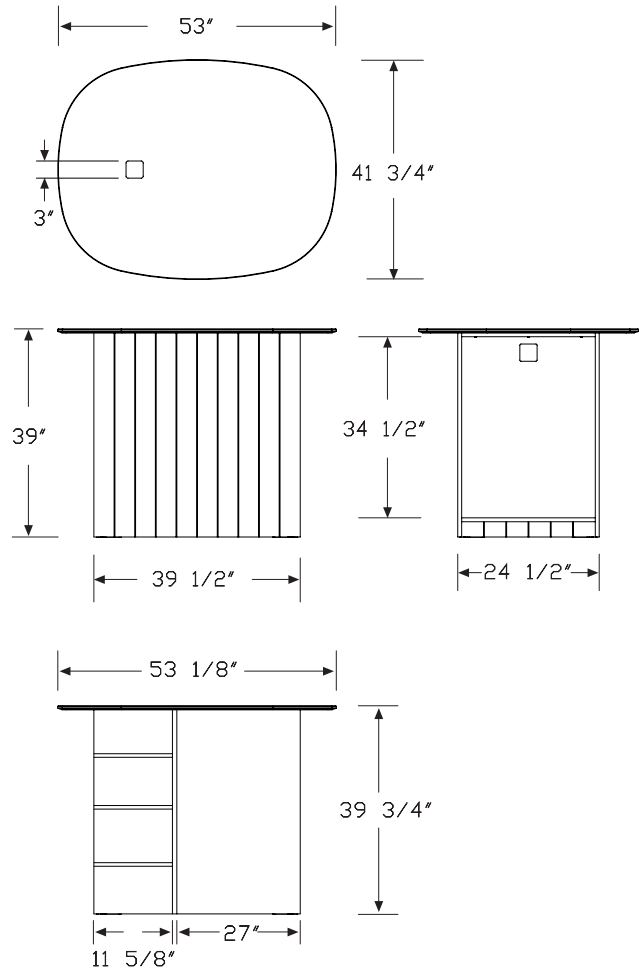
Notes

Unit is nonpowered.

Under-counter opening has interior dimensions of 27"W x 25 1/2"D x 34 5/8"H.

For power integration, cable routing options and other custom accommodations, contact HermanMiller Options.

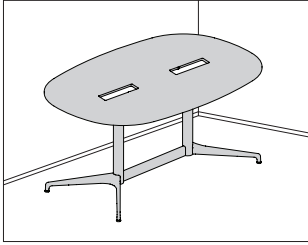
Dimensions



Locale® Accessories

Double Column Table

BRDCT.



Product Information

Description

This double column table has an oval top. The $\frac{3}{4}$ " thick top is available in squared edge laminate or veneer, or thin edge Formcoat®. Surfaces are available with or without a cutout and tray grommet. The tray grommet has a small depressed tray area to hold small objects. Grommet includes a pass-through hole with gaskets for a power component or cords to route through the table. A power cord or data cable may be routed through the table column during installation. Tables are available with adjustable glides or casters. The caster option includes 2 locking and 2 non-locking casters. Shipped knocked down.

Notes

For laminate (L) surface material, edge colors are predetermined:

Laminate—Edge Color

Neutral Twill (LBF)—Sandstone (WL)

Sarum Twill (LBG)—Folkstone Grey (8Q)

Earthen Twill (LBH)—Medium Tone (MT)

Graphite Twill (LBJ)—Medium Tone (MT)

White Twill (LBQ)—White (g1)

Pewter Mesh (LBK)—Warm Grey Neutral (WN)

Steel Mesh (LBL)—Slate Grey (SG)

Crisp Linen (LBM)—Folkstone Grey (8Q)

Classic Linen (LBN)—Sandstone (WL)

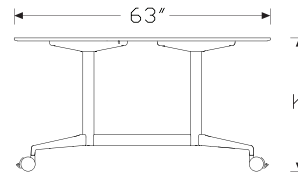
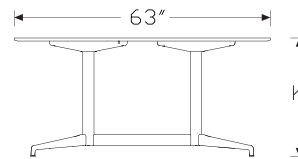
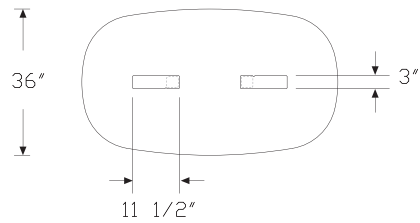
Casual Linen (LBP)—Warm Grey Neutral (WN)

Clear on Ash (LBA)—White (g1)

Oak on Ash (LBB)—Medium Tone (MT)

Walnut on Ash (LBC)—Medium Tone (MT)

Dimensions



Double Column Table *continued*

Locale® Tables

Specification Information

Step 1.

BRDCT. A

Step 2. Depth

V09 36" (900mm) oval A

V10 42" (1066mm) oval A

Step 3. Width

For 36" (900mm) oval (V09)

16 60" (1600mm) oval A

18 72" (1800mm) oval A

For 42" (1066mm) oval (V10)

18 72" (1800mm) oval A

Step 4. Electrical Cutout Type

N no cutout A

T tray with cutout A

Step 5. Surface Material

L laminate A

T formcoat® A

W veneer A

Prices for Steps 1-5.

	NL	NT	NW	TL	TT	TW
BRDCT. V09 16	\$1600	1740	2700	1868	2008	2968
18	\$1875	2030	2975	2143	2298	3243
V10 18	\$2160	2330	3260	2428	2598	3528

Step 6. Casters/Glides

C casters A +\$30

G glides A +\$0

Step 7. Table Top Finish

For laminate (L)

8Q folkstone grey A +\$0

91 white A +\$0

LBA clear on ash A +\$0

LBU medium matte walnut A +\$0

LBB oak on ash A +\$0

LBC walnut on ash A +\$0

LBF neutral twill A +\$0

LBG sarum twill A +\$0

LBH earthen twill A +\$0

LBJ graphite twill A +\$0

LBK pewter mesh A +\$0

LBL steel mesh A +\$0

LBM crisp linen A +\$0

LBN classic linen A +\$0

LBP casual linen A +\$0

LBQ white twill A +\$0

For formcoat® (T)

8Q folkstone grey A +\$0

91 white A +\$0

For veneer (W)

ET clear on ash A +\$0

EU oak on ash A +\$0

EV walnut on ash A +\$0

Step 8. Column/Leg Finish

8Q folkstone grey A +\$0

91 white A +\$0

G1 graphite A +\$0

Step 9. Tray Grommet Finish

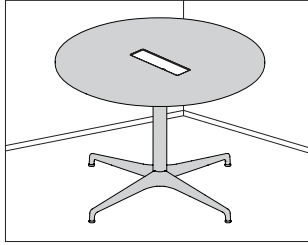
For tray with cutout (T)

91 white A +\$0

G1 graphite A +\$0

Single Column Table

BR SCT.



Product Information

Description

This single column table has a round or soft square top. The 3/4" thick top is available in squared edge laminate or veneer, or thin edge Formcoat®. Surfaces are available with or without a cutout and tray grommet. The tray grommet has a small depressed tray area to hold small objects. Grommet includes a pass-through hole with gaskets for a power component or cords to route through the table. A power cord or data cable may be routed through the table column during installation. Tables are available with adjustable glides in 22" lounge height, 29" seated height, or 41 1/2" standing height. Seated height tables are available with optional casters including 2 locking and 2 non-locking. Shipped knocked down.

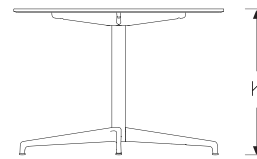
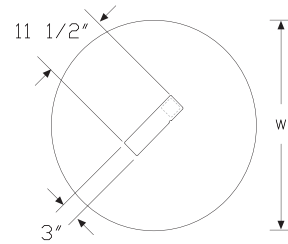
Notes

For laminate (L) surface material, edge colors are predetermined:

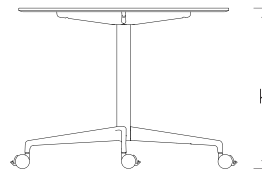
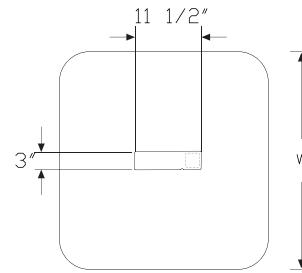
Laminate—Edge Color

- Neutral Twill (LBF)—Sandstone (WL)
- Sarum Twill (LBG)—Folkstone Grey (8Q)
- Earthen Twill (LBH)—Medium Tone (MT)
- Graphite Twill (LBJ)—Medium Tone (MT)
- White Twill (LBQ)—White (g1)
- Pewter Mesh (LBK)—Warm Grey Neutral (WN)
- Steel Mesh (LBL)—Slate Grey (SG)
- Crisp Linen (LBM)—Folkstone Grey (8Q)
- Classic Linen (LBN)—Sandstone (WL)
- Casual Linen (LBP)—Warm Grey Neutral (WN)
- Clear on Ash (LBA)—White (g1)
- Oak on Ash (LBB)—Medium Tone (MT)
- Walnut on Ash (LBC)—Medium Tone (MT)

Dimensions



Round Table



Soft Square Table

Single Column Table *continued*

Locale® Tables

Specification Information

Step 1.

BR SCT. A

Step 2. Size

R09 36" (900mm) round A

S09 36" (900mm) soft square A

R10 42" (1066mm) round A

S10 42" (1066mm) soft square A

Step 3. Height

For 36" (900mm) round (R09) or 36" (900mm) soft square (S09)

05 22" high (560mm) A

07 29" high (740mm) A

10 41.5" high (1055mm) A

For 42" (1066mm) round (R10) or 42" (1066mm) soft square (S10)

07 29" high (740mm) A

Step 4. Electrical Cutout Type

N no cutout A

T tray with cutout A

Step 5. Surface Material

L laminate A

T formcoat® A

W veneer A

Prices for Steps 1-5.

	NL	NT	NW	TL	TT	TW
BR SCT. R09 05	\$1015	1080	1515	1149	1214	1649
07	\$1000	1065	1500	1134	1199	1634
10	\$1045	1110	1545	1179	1244	1679
S09 05	\$1015	1080	1740	1149	1214	1874
07	\$1000	1065	1725	1134	1199	1859
10	\$1045	1110	1770	1179	1244	1904
R10 07	\$1065	1160	1965	1199	1294	2099
S10 07	\$1065	1160	1965	1199	1294	2099

Step 6. Casters/Glides

For 22" high (560mm) (05) or 41.5" high (1055mm) (10)

G glides A +\$0

For 29" high (740mm) (07)

C casters A +\$30

G glides A +\$0

Step 7. Table Top Finish

For laminate (L) or formcoat® (T)

8Q folkstone grey A +\$0

91 white A +\$0

For veneer (W)

ET clear on ash A +\$0

EU oak on ash A +\$0

EV walnut on ash A +\$0

Step 8. Column/Leg Finish

8Q folkstone grey A +\$0

91 white A +\$0

G1 graphite A +\$0

Step 9. Tray Grommet Finish

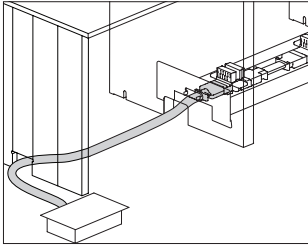
For tray with cutout (T)

91 white A +\$0

G1 graphite A +\$0

Modular Power Entry

BRE01.



Product Information

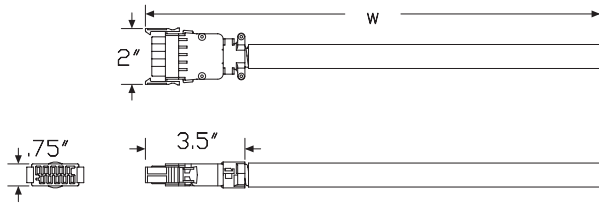
Description

This power entry connects a buildings electrical supply from a wall, floor, or column to the power block within a Workbase unit of a Locale® module. Available in either 8- or 10-wire modular power, it enters beneath or from the left or right end of a Locale Workbase unit. It includes a cable that can be field cut to the appropriate length. UL listed and Canadian UL listed.

Notes

A licensed electrician must wire power entry.

Dimensions



Specification Information

Step 1.

BRE01. A

Step 2. Wire Configuration

08 8 wire A

10 10 wire A

Step 3. Cord Length

06 6' long A

10 10' long A

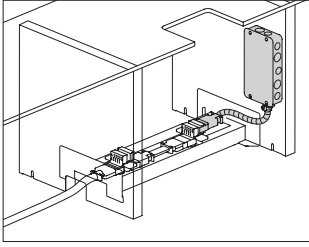
20 20' long A

Prices for Steps 1-3.

	06	10	20
BRE01. 08	\$200	341	491
10	\$219	372	541

Locale® Power

Modular Power Entry, New York BRE02.



Product Information

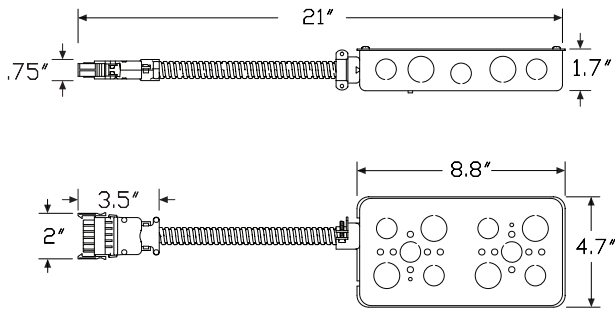
Description
 This power entry connects a buildings electrical supply from a wall, floor, or column to the power block within a Workbase unit of a Locale® module. Available in either 8- or 10-wire modular power to meet New York City electrical codes. It includes a junction box and harness. The junction box is mounted inside the Workbase. Contractor-supplied conduit, wire, and fittings enter beneath or from the left or right end of a Locale Workbase unit. It includes a cable that can be field cut to the appropriate length. Power entry is UL listed and Canadian UL listed.

Notes

A licensed electrician must wire power entry.

Dimensions

Locale® Power



Specification Information

Step 1.

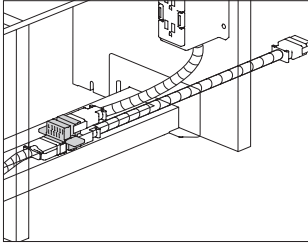
BRE02. [A]

Step 2. Wire Configuration

- 08** 8 wire [A]
- 10** 10 wire [A]

Prices for Steps 1-2.

BRE02. 08	\$266
10	\$306



Product Information

Description

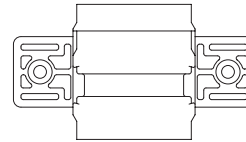
This power block connects modular power receptacles, jumpers, and power entry within a Locale® Workbase unit. The power block is specified with 4 or 8 ports and is available for either 8-wire or 10-wire. It mounts in the center portion of a Locale Workbase, or in the column section of a Locale Workbase desk module. UL listed and Canadian UL listed.

Notes

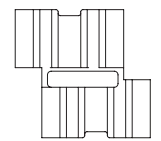
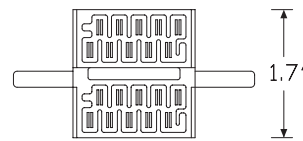
Specifying a 4-port power block provides ports for 2 duplex receptacles. The 8-port block is 2 4-port blocks connected by a short jumper, and provides ports for 4 duplex receptacles.

Dimensions

3.2"

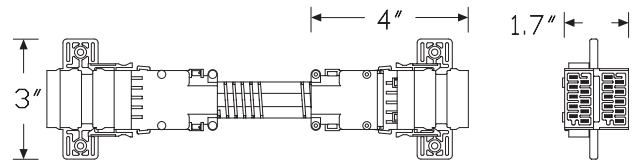
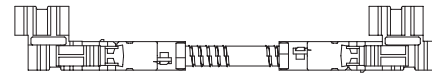


1.8"



4-Port

11"



8-Port With Short Jumper

Specification Information

Step 1.

BRE03. A

Step 2. Wire Configuration

08 8 wire A

10 10 wire A

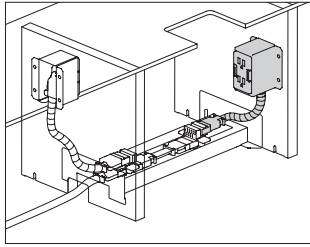
Step 3. Type

04 4 port A

08 8 port A

Prices for Steps 1-3.

	04	08
BRE03. 08	\$30	120
10	\$30	120

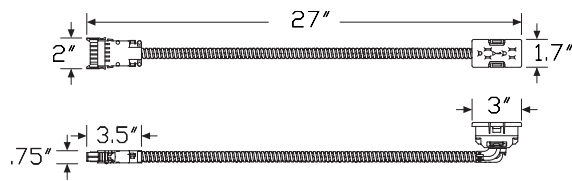


Product Information

Description

This duplex receptacle harness snaps into an 8-wire, 4-circuit, shared neutral power block or a 10-wire, 4-circuit, separate neutral power block to provide power to equipment inside the Workbase. The duplex is a standard 15-amp rated receptacle. Package contains 1 duplex receptacle. Receptacle is UL listed and Canadian UL listed.

Dimensions



Specification Information

Step 1.

BRE04. [A]

Step 2. Wire Configuration

08 8 wire [A]

10 10 wire [A]

Step 3. Duplex Type

For 8 wire (08)

- AN** circuit a - shared neutral, 8 wire [A]
- BN** circuit b - shared neutral, 8 wire [A]
- CN** circuit c - shared neutral, 8 wire [A]
- DN** circuit d - shared neutral, 8 wire [A]
- AG** circuit a - shared neutral isolated ground, 8 wire [A]
- BG** circuit b - shared neutral isolated ground, 8 wire [A]
- CG** circuit c - shared neutral isolated ground, 8 wire [A]
- DG** circuit d - shared neutral isolated ground, 8 wire [A]

For 10 wire (10)

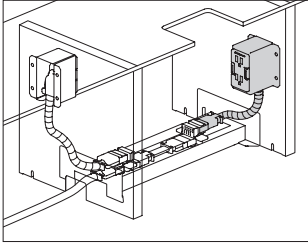
- 1N** circuit 1 - separate neutral, 10 wire [A]
- 2N** circuit 2 - separate neutral, 10 wire [A]
- 3N** circuit 3 - separate neutral, 10 wire [A]
- 4N** circuit 4 - separate neutral, 10 wire [A]
- 1G** circuit 1 - separate neutral isolated ground, 10 wire [A]
- 2G** circuit 2 - separate neutral isolated ground, 10 wire [A]
- 3G** circuit 3 - separate neutral isolated ground, 10 wire [A]
- 4G** circuit 4 - separate neutral isolated ground, 10 wire [A]

Prices for Steps 1-3.

	1N	AN	2N	BN	3N	CN
BRE04. 08	—	\$130	—	130	—	130
10	\$130	—	130	—	130	—
	4N	DN	1G	AG	2G	BG
BRE04. 08	—	\$130	—	138	—	138
10	\$130	—	138	—	138	—
		3G	CG	4G	DG	
BRE04. 08		—	\$138	—	138	
10		\$138	—	138	—	

Step 4. Duplex Color

BK black [A] +\$0

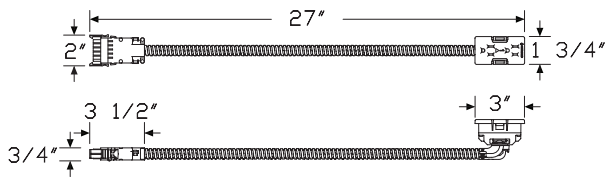


Product Information

Description

This receptacle is to be used for ASHRAE90.1 and Title 24 compliance. A controlled receptacle should be used for any receptacles that are under automated control by the energy management system. The duplex receptacle harness snaps into an 8-wire, 4-circuit, shared neutral power block or a 10-wire, 4-circuit, separate neutral power block to provide power to equipment inside the Workbase. The duplex is a standard 15-amp rated receptacle. Package contains 1 duplex receptacle. Receptacle is UL listed and Canadian UL listed.

Dimensions



Locale® Power

Specification Information

Step 1.

BRE04M. [A]

Step 2. Wire Configuration

- 08** 8 wire [A]
- 10** 10 wire [A]

Step 3. Duplex Type

For 8 wire (08)

- AN** circuit a - shared neutral, 8 wire [A]
- BN** circuit b - shared neutral, 8 wire [A]
- CN** circuit c - shared neutral, 8 wire [A]
- DN** circuit d - shared neutral, 8 wire [A]
- AG** circuit a - shared neutral isolated ground, 8 wire [A]
- BG** circuit b - shared neutral isolated ground, 8 wire [A]
- CG** circuit c - shared neutral isolated ground, 8 wire [A]
- DG** circuit d - shared neutral isolated ground, 8 wire [A]

For 10 wire (10)

- 1N** circuit 1 - separate neutral, 10 wire [A]
- 2N** circuit 2 - separate neutral, 10 wire [A]
- 3N** circuit 3 - separate neutral, 10 wire [A]
- 4N** circuit 4 - separate neutral, 10 wire [A]
- 1G** circuit 1 - separate neutral isolated ground, 10 wire [A]
- 2G** circuit 2 - separate neutral isolated ground, 10 wire [A]
- 3G** circuit 3 - separate neutral isolated ground, 10 wire [A]
- 4G** circuit 4 - separate neutral isolated ground, 10 wire [A]

Prices for Steps 1-3.

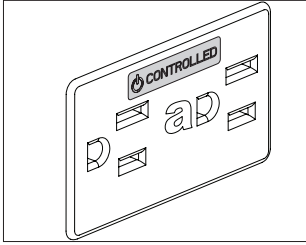
	1N	AN	2N	BN	3N	CN
BRE04M. 08	—	\$130	—	130	—	130
10	\$130	—	130	—	130	—
	4N	DN	1G	AG	2G	BG
BRE04M. 08	—	\$130	—	138	—	138
10	\$130	—	138	—	138	—
	3G	CG	4G	DG		
BRE04M. 08	—	\$138	—	138		
10	—	\$138	—	138		

Step 4. Duplex Color

BK black [A] +\$0

Controlled Receptacle Decal
(12 per sheet)

G9999.

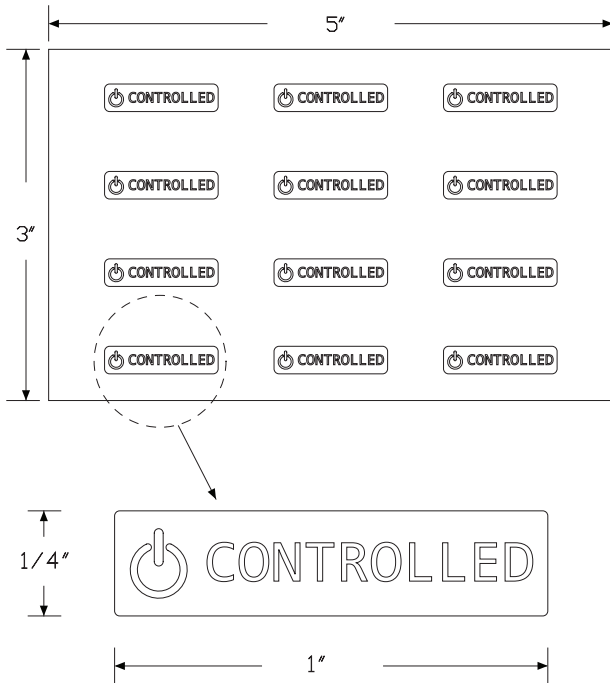


Product Information

Description

This decal is to be used for ASHRAE90.1 and Title 24 compliance. The decal is used to mark standard receptacles (new or existing) that are under automated control by the energy management system. 1 sheet includes 12 clear decals with white or black print.

Dimensions



Specification Information

Step 1.

G9999. A

Step 2. Color

B black print A

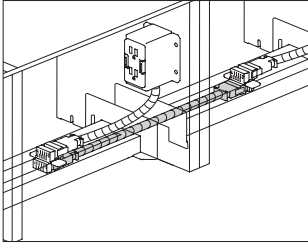
W white print A

Prices for Steps 1-2.

G9999. B	\$7
W	\$7

Block-to-Block Jumper

BRE05.



Product Information

Description

This jumper connects one power block to another to extend power through a run of Locale® Workbases. It is available for either 8-wire shared neutral, or 10-wire separate neutral configurations. UL listed and Canadian UL listed.

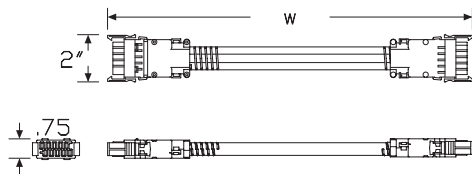
Notes

Jumpers connect both 4-port and 8-port power blocks except when the power blocks are in immediately adjacent Workbase sections. Specify 24"-wide jumper (00) to connect 4-port power blocks in adjacent Workbase sections. Specify 12"-wide jumper (10) to connect 8-port power blocks in adjacent Workbase sections.

Select the appropriate length jumper by measuring the distance between centerlines of the power blocks to be connected.

See Planning Guide for details on specifying power through Locale Workbases.

Dimensions



Specification Information

Step 1.

BRE05. A

Step 2. Wire Configuration

08 8 wire A

10 10 wire A

Step 3. Width

00 2' (24" or 600mm) extends between 4-port power blocks A

01 4' (48" or 1200mm) A

02 6' (72" or 1800mm) A

03 8' (96" or 2400mm) A

04 10' (120" or 3000mm) A

05 12' (144" or 3600mm) A

06 14' (168" or 4200mm) A

07 16' (192" or 4800mm) A

08 18' (216" or 5400mm) A

09 20' (240" or 6000mm) A

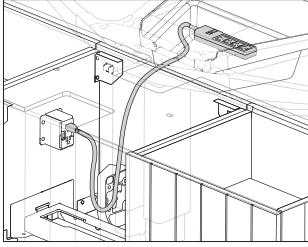
10 1' (12" or 300mm) extends between 8-port power blocks A

Prices for Steps 1-3.

	00	01	02	03	04	05
BRE05. 08	\$63	103	128	150	172	200
10	\$69	116	141	166	188	222
		06	07	08	09	10
BRE05. 08		\$231	263	297	328	63
10		\$253	291	328	359	69

Power Plug Strip

BRE06.



Product Information

Description

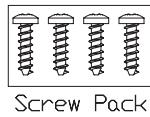
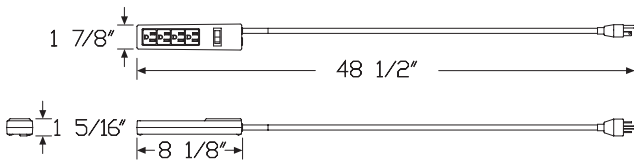
This corded power strip provides 4 receptacles for user accessible power within the cable management tray. It plugs directly into a power receptacle (BRE04.) in a Workbase and mounts in the cable management tray of a Locale™ desk. It is UL listed and CSA certified. Mounting hardware included.

Notes

To finish the work surface power access cutout, order the following products separately:

- Logic grommet mounted electrical distributor (Y1425.), or
- Logic grommet pass thru (Y1420.)

Dimensions



Screw Pack

Specification Information

Step 1.

BRE06. A

Step 2. Configuration

A 4 AC outlets A

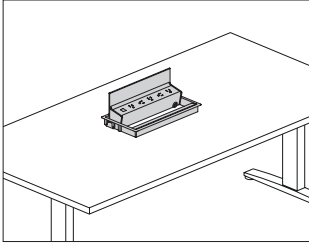
Step 3. Cord Length

10 10' cord length A

Prices for Steps 1-3.

	10
BRE06. A	\$60

Logic G1000 Grommet Mounted Electrical Distributor Y1425.



Product Information

Description

This Logic Power Access Solutions™ grommet mounted electrical distributor comes in several widths and configurations of simplex receptacles and USB charging ports. The unit is powered using a standard power cord with plug end, a hard-wired connection with electrical conduit, or an IEC connector when used with Renew™ Sit-to-Stand tables. An integrated cord keeper at the face of the unit captures network data cords. The unit pivots from a closed position to 135° allowing easy access to power and data cords stored beneath the unit. Product is UL listed.

Notes

Field cutting of grommet cutout is possible.

IEC connector for Renew power type (C) includes short cord designed to connect to the Renew table power cord through-leg option. Actual cord length may vary.

Simplex receptacles have alternating orientation and greater than normal plug spacing to accommodate most plug types.

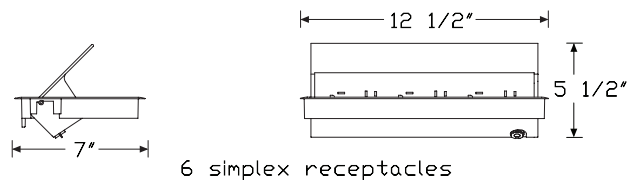
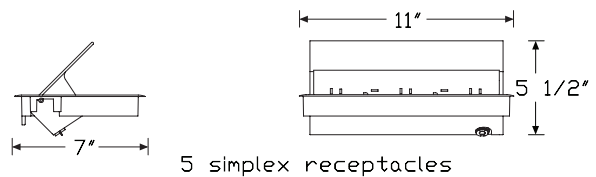
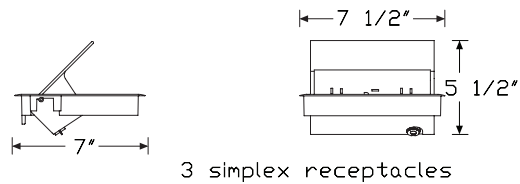
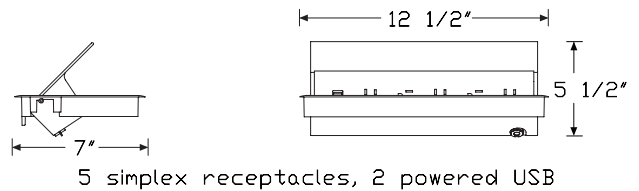
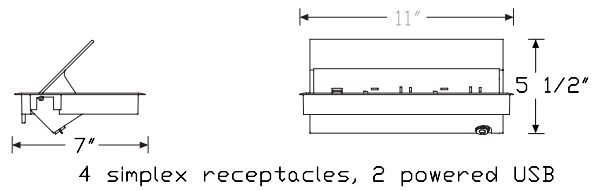
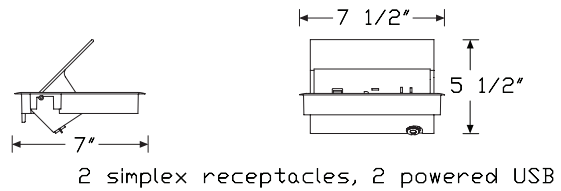
USB ports supply 10-watt power and will charge most small electronic devices. Software in each device controls that devices ability to accept a charge via USB.

Refer to Renew™ Sit-to-Stand Tables and Locale® planning guides for specific application information.

20' cord/conduit length (20) is recommended for Exclave® applications.

Locale® Power

Dimensions



Logic G1000 Grommet Mounted Electrical Distributor *continued*

Specification Information

Step 1.

Y1425. A

Step 2. Configuration

- A** 2 simplex receptacles, 2 powered USB A
- C** 4 simplex receptacles, 2 powered USB A
- D** 5 simplex receptacles, 2 powered USB A
- E** 3 simplex receptacles A
- F** 5 simplex receptacles A
- G** 6 simplex receptacles A

Step 3. Power Type

- A** power cord with plug end A
- B** conduit with open end, for hard-wiring A
- C** IEC connector for Renew Tables A

Step 4. Cord/Conduit Length

For power cord with plug end (A)

- 03** 3' cord/conduit A
- 06** 6' cord/conduit A
- 10** 10' cord/conduit A

For conduit with open end, for hard-wiring (B)

- 03** 3' cord/conduit A
- 06** 6' cord/conduit A
- 10** 10' cord/conduit A

For IEC connector for Renew Tables (C)

- 03** 3' cord/conduit A

Prices for Steps 1-4.

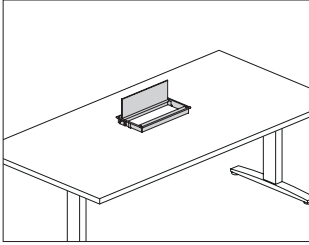
		03	06	10
Y1425. A	A	\$639	639	649
	B	\$688	688	698
	C	\$649	—	—
C	A	\$741	741	751
	B	\$790	790	801
	C	\$751	—	—
D	A	\$807	807	817
	B	\$856	856	866
	C	\$817	—	—
E	A	\$491	491	501
	B	\$540	540	550
	C	\$501	—	—

F	A	\$593	593	604
	B	\$643	643	653
	C	\$604	—	—
G	A	\$659	659	669
	B	\$708	708	719
	C	\$669	—	—

Step 5. Finish

- 91** white A +\$0
- 98** studio white A +\$0
- G1** graphite A +\$0
- MS** metallic silver A +\$0

Logic G1200 Grommet Pass Thru Y1420.



Product Information

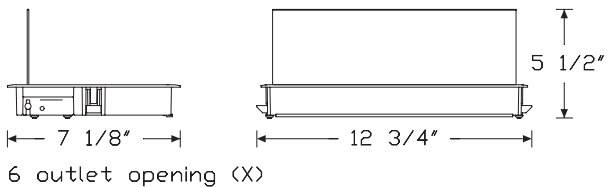
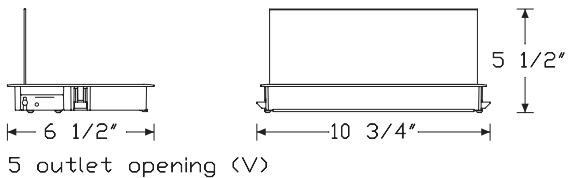
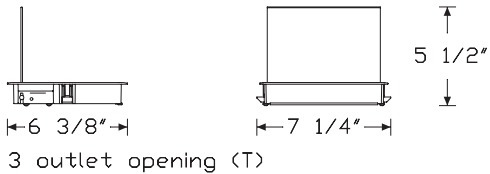
Description
 This Logic Power Access Solutions™ grommet mounted metal enclosure provides access to cords kept beneath the surface. The unit has an integrated cord keeper.

Notes

Unit size is based on the grommet mounted electrical distributor (Y1425.) with simplex receptacles.

Dimensions

Locale® Power



Specification Information

Step 1.

Y1420. [A]

Step 2. Configuration

- T** three outlet opening [A]
- V** five outlet opening [A]
- X** six outlet opening [A]

Prices for Steps 1-2.

Y1420. T	\$214
V	\$235
X	\$255

Step 3. Finish

91 white [A]	+\$0
98 studio white [A]	+\$0
G1 graphite [A]	+\$0
MS metallic silver [A]	+\$0

Index by Product Name

Locale®	
	page(s)
Bench Cushion	76
Block-to-Block Jumper	90
Combination D/T Double	49
Combination D/T with Full Display	52
Controlled Power Duplex	88
Controlled Receptacle Decal (12 per sheet)	89
D-Desk Double	10
D-Desk Double with Full Display	17
D-Desk Screen	65
D-Desk Single	5
D-Desk Single with Full Display	13
Display Monitor Support Kit	67
Display Tackboards	69
Double Column Table	79
Freestanding Screen	74
L-Desk Double	25
L-Desk Double with Partial Display	32
L-Desk Screen	66
L-Desk Single	20
L-Desk Single with Partial Display	28
Logic G1000 Grommet Mounted Electrical Distributor	92
Logic G1200 Grommet Pass Thru	94
Mobile Easel	73
Modular Power Entry	83
Modular Power Entry, New York	84
Peg Hangers (Pair)	75
Power Block	85
Power Duplex	87
Power Plug Strip	91
Refreshment Center	77
Rolling Magazine Rack	71
Rolling Whiteboard	72
Single Column Table	81
T-Peninsula Double	39
T-Peninsula Double with Full Display	46
T-Peninsula Single	35
T-Peninsula Single with Full Display	42
Workbase	55
Workbase Screen	63
Workbase with Full Display	61
Workbase with Partial Display	59
Workbase with Upper Shelving	57



Index by Product Number

BRBC. Bench Cushion	page(s) 76
BRCD. Combination D/T Double	49
BRCDF. Combination D/T with Full Display	52
BRDCT. Double Column Table	79
BRDD. D-Desk Double	10
BRDDF. D-Desk Double with Full Display	17
BRDDS. D-Desk Screen	65
BRDS. D-Desk Single	5
BRDSF. D-Desk Single with Full Display	13
BRE01. Modular Power Entry	83
BRE02. Modular Power Entry, New York	84
BRE03. Power Block	85
BRE04M Controlled Power Duplex	88
BRE04. Power Duplex	87
BRE05. Block-to-Block Jumper	90
BRE06. Power Plug Strip	91
BRES. Mobile Easel	73
BRFS. Freestanding Screen	74
BRHP. Peg Hangers (Pair)	75
BRLD. L-Desk Double	25
BRLDP. L-Desk Double with Partial Display	32
BRLDS. L-Desk Screen	66
BRLS. L-Desk Single	20
BRLSP. L-Desk Single with Partial Display	28
BRMS. Display Monitor Support Kit	67
BRRC. Refreshment Center	77
BRRM. Rolling Magazine Rack	71
BRRW. Rolling Whiteboard	72
BRST. Single Column Table	81
BRTB. Display Tackboards	69
BRTDF. T-Peninsula Double with Full Display	46
BRTD. T-Peninsula Double	39
BRTSF. T-Peninsula Single with Full Display	42
BRTS. T-Peninsula Single	35
BRWBS. Workbase Screen	63
BRWB. Workbase	55
BRWUF. Workbase with Full Display	61
BRWUP. Workbase with Partial Display	59
BRWUS. Workbase with Upper Shelving	57
G9999. Controlled Receptacle Decal (12 per sheet)	89
Y1420. Logic G1200 Grommet Pass Thru	94
Y1425. Logic G1000 Grommet Mounted Electrical Distributor	92



20-Day or Less/Assigned Lead-Time Order Information

20-Day or Less and Assigned Lead-Time Programs

20-day or less and assigned lead-time products are designed for established Herman Miller dealers with pre-approved credit.

Products are distributed from multiple manufacturing facilities across the United States. All products and options not designated by an Assigned Lead-Time icon **A** will ship in 20 business days or less after being acknowledged by Herman Miller. Products and options designated by an **A** are on the assigned lead-time program and will ship in 20 days, less than 20 days, or more than 20 days from order acknowledgement.

Ordering Procedure

Please place orders through Order Manager. If this is not available to you, place orders through mail or fax. Verbal purchase orders will not be accepted.

Order Entry fax number for Passage®, 5000 Series, and Meridian® Filing and Storage: (616) 846 9236.

Order Entry fax number for all other products:
(616) 654 3085.

For more information, contact your Customer Care representative at:
(866) 854 3048 EXT 3400.

Shipments and Delivery

Per Herman Miller Terms and Conditions.

Changes and Cancellation

Per Herman Miller Terms and Conditions.



Customer's Own Material/Customer's Own Leather Order Information — Seating

Packaging

Packaging varies according to individual product. A surcharge may be added for special packaging requests. Contact Customer Care for specific information.

Customer's Own Material/Customer's Own Leather

Program Overview

The Customer's Own Material (COM) and Customer's Own Leather (COL) program gives you the option of using textiles other than those listed. Herman Miller will test textiles for application to Herman Miller products and will process orders for those with approved COM/COL textiles only. COM/COL are assigned lead-time textiles.

Omni lists an overview of fabrics and leathers that have been tested and indicates whether or not they were approved for application to Herman Miller products.

Specific information on the terms and conditions, testing, approval, and ordering process for COM/COL is listed below. Questions about the COM/COL program and requests for assistance may be directed to your COM representative at:

(616) 654 3400

(866) 854 3048 EXT 6543400

Customer's Own Material/Customer's Own Leather Warranty

Herman Miller does not warrant COM/COL textiles. COM/COL textiles are tested for application only; they are not tested for performance. The Herman Miller warranty does apply to the underlying products.

Suppliers of COM/COL textiles are responsible for color consistency within commercial tolerances, UV stability, and resistance to soiling and perspiration.

Customer's Own Material/Customer's Own Leather Pricing

COM is a Category 1 fabric. There are no application charges for COM fabrics. COL is a Category 7 textile; refer to prices on specific products to determine the application charge.

Ordering and payment for COM/COL textile yardage are the responsibility of the customer and the textile supplier.

If desired, Herman Miller will purchase COM textiles directly from True Textiles, C.F. Stinson, Luna Textiles, Maharam, and Momentum Textiles to simplify ordering and shipment. For this service, refer to the Supplier Connection program.

Customer's Own Material/Customer's Own Leather Order Information — Seating

continued

Textile Approval

1. Select a COM/COL textile and a Herman Miller product.
2. If your textile is not listed in Omni, obtain a test number from a COM representative at (616) 654 3400. You can also submit your request within Omni. Please have the following information ready before calling: textile name, number, pattern, roll width, and the product you will apply it to.

Additional yardage may be needed due to the unique characteristics of a textile. All package labels must include the words "COM test" or "COL test" and the assigned COM/COL test number.

3. Herman Miller will notify you of approval or disapproval within 4 days from receipt of the test yardage.

Ordering Products with COM/COL

1. Refer to the specific products to determine the yardage required for COM/COL textiles.
2. If your textile is not listed in Omni, call a COM representative at (616) 654 3400 or (866) 854 3048 EXT 6543400. The representative will assign an identification number for your textile (ID#) and will verify yardage requirements for your order. Additional yardage may be needed due to the unique characteristics of a textile.
3. Enter your order on Order Manager in Omni.
4. Upon receipt of your purchase order, Herman Miller will send you a PO acknowledgment.
5. Arrangements must be made for the textiles to be shipped from the supplier to Herman Miller for application to the seating products. Textiles must be tagged with the assigned identification number and the roll yardage quantity. See Omni for shipping procedures and current shipping addresses or contact a COM representative at (616) 654 3400 or (866) 854 3048 EXT 6543400.

Products will be scheduled for production when COM/COL textiles are received at Herman Miller. Standard lead times in effect at that time will apply.

Note: If textiles are to be purchased directly by Herman Miller through the Supplier Connection program, Herman Miller will handle the ordering and shipping process and will schedule your order for production upon receipt of your purchase order (dependent on textile availability). Refer to the Supplier Connection program for more information.

Supplier Connection

Program Overview

The Supplier Connection program is a service offered by Herman Miller to purchase approved COM textiles directly from True Textiles, C.F. Stinson, Luna Textiles, Maharam, and Momentum Textiles. When you select a textile through this program, Herman Miller will facilitate the ordering, scheduling, and shipment of the textile directly with the supplier.

Suppliers included in the Supplier Connection program keep an active inventory of textiles that are pre-approved for application to Herman Miller products. Pre-approval applies only to the suitability of a textile for manufacturing and application to a Herman Miller product. Omni provides an overview of fabrics that have been tested and indicates whether or not they were approved for application to Herman Miller products.

Specific information on the terms and conditions, testing, approval, and ordering process for the Supplier Connection program is listed below. Questions and requests for assistance may be directed to your COM representative at:

(616) 654 3400
(866) 854 3048 EXT 6543400

Supplier Connection Warranty

Textiles purchased by Herman Miller through the Supplier Connection program are COM and are not warranted by Herman Miller. COM textiles are tested for application only; they are not tested for performance. The Herman Miller warranty does apply to the underlying products.

Suppliers of COM textiles are responsible for color consistency within commercial tolerances, UV stability, and resistance to soiling and perspiration.

Customer's Own Material/Customer's Own Leather Order Information — Seating

continued

Supplier Connection Pricing

Textiles purchased by Herman Miller through the Supplier Connection program are COM. COM is a Category 1 fabric. There are no application charges for COM fabrics.

Payment for textiles purchased by Herman Miller through the Supplier Connection program is the responsibility of the customer or dealer. Herman Miller will invoice the order at the supplier's prices published at the time of the order.

Textile Approval

1. Refer to Omni to identify the approval status of the textile. If your textile is not listed, contact the COM Department to request testing for application to Herman Miller products.
2. Herman Miller will notify you of approval or disapproval in approximately 4 days from receipt of the test yardage. If the textile is approved, it will be assigned a COM identification number.

Ordering Products with Supplier Connection COM

1. Identify and include the following information on your purchase order:
 - Product number and option
 - Herman Miller's COM identification number
2. Enter your order on Order Manager in Omni.
3. Upon receipt of the purchase order, Herman Miller will process your order and send you a PO acknowledgment. Herman Miller will determine the yardage required to produce your product and will order and schedule for delivery the required textile. Standard lead times in effect at the time the textile is allocated at the supplier will apply to products ordered through this program.



Customer's Own Material Order Information — Workspaces

Customer's Own Material

Program Overview

The Customer's Own Material (COM) program gives you the option of using textiles other than those listed. Herman Miller will test textiles for application to Herman Miller products and will process orders for those with approved COM textiles only. COM textiles are on assigned lead times.

Omni lists an overview of fabrics that have been tested and indicates whether or not they were approved for application to Herman Miller products.

Specific information on the terms and conditions, testing, approval, and ordering process for COM is listed below. Questions about the COM program and requests for assistance may be directed to your COM representative at:

(616) 654 3400

(866) 854 3048 EXT 6543400

Customer's Own Material Warranty

Herman Miller does not warrant COM textiles. COM textiles are tested for application only; they are not tested for performance. The Herman Miller warranty does apply to the underlying products.

Suppliers of COM textiles are responsible for color consistency within commercial tolerances, UV stability, and resistance to soiling and perspiration.

Customer's Own Material Pricing

COM is a Category 1 fabric. There are no application charges for COM fabrics.

Ordering and payment for COM textile yardage are the responsibility of the customer and the textile supplier.

If desired, Herman Miller will purchase COM textiles directly from True Textiles, C.F. Stinson, Luna Textiles, Maharam, and Momentum Textiles to simplify ordering and shipment. For this service, refer to the Supplier Connection program.

Application Note

Herman Miller does not guarantee that Customer's Own Material (COM) fabric patterns will align across panels/tiles or from one screen to the next. We also do not guarantee that COM fabric designs will be positioned consistently in the same location across several panels, tiles, or screens.

COM is not available on panels.

Textile Approval

1. Select a COM textile and a Herman Miller product.
2. If your textile is not listed in Omni, obtain a test number from a COM representative at (616) 654 3400. You can also submit your request within Omni. Please have the following information ready before calling: textile name, number, pattern, and the product you will apply it to.
3. Herman Miller will notify you of approval or disapproval within 4 days from receipt of the test yardage.

Customer's Own Material Order Information — Workspaces

continued

Ordering Products with COM

1. Refer to the specific products to determine the yardage required for COM textiles.
2. If your textile is not listed in Omni, call a COM representative at (616) 654 3400 or (866) 854 3048 EXT 6543400. The representative will assign an identification number for your textile (ID#) and will verify yardage requirements for your order.

Note: Yardage requirements are based on nondirectional, 54"-wide textiles. 66"-wide textiles are needed for application on 60"-wide products. Additional yardage may be needed due to the unique characteristics of a textile.

3. Enter your order on Order Manager in Omni.
4. Upon receipt of your purchase order, Herman Miller will send you a PO acknowledgment.
5. Arrangements must be made for the textiles to be shipped from the supplier to Herman Miller for application to the Herman Miller products. Textiles must be tagged with the assigned identification number and the roll yardage quantity. See Omni for shipping procedures and current shipping addresses or contact a COM representative at (616) 654 3400 or (866) 854 3048 EXT 6543400.

Products will be scheduled for production when COM textiles are received at Herman Miller. Standard lead times in effect at that time will apply.

Note: If textiles are to be purchased directly by Herman Miller through the Supplier Connection program, Herman Miller will handle the ordering and shipping process and will schedule your order for production upon receipt of your purchase order (dependent on textile availability). Refer to the Supplier Connection program for more information.

Supplier Connection

Program Overview

The Supplier Connection program is a service offered by Herman Miller to purchase approved COM textiles directly from True Textiles, C.F. Stinson, Luna Textiles, Maharam, and Momentum Textiles. When you select a textile through this program, Herman Miller will facilitate the ordering, scheduling, and shipment of the textile directly with the supplier.

Suppliers included in the Supplier Connection program keep an active inventory of textiles that are pre-approved for application to Herman Miller products. Pre-approval applies only to the suitability of a textile for manufacturing and application to a Herman Miller product. Omni provides an overview of fabrics that have been tested and indicates whether or not they were approved for application to Herman Miller products.

Specific information on the terms and conditions, testing, approval, and ordering process for the Supplier Connection program is listed below. Questions and requests for assistance may be directed to your COM representative at:

(616) 654 3400
(866) 854 3048 EXT 6543400

Supplier Connection Warranty

Textiles purchased by Herman Miller through the Supplier Connection program are COM and are not warranted by Herman Miller. COM textiles are tested for application only; they are not tested for performance. The Herman Miller warranty does apply to the underlying products.

Suppliers of COM textiles are responsible for color consistency within commercial tolerances, UV stability, and resistance to soiling and perspiration.

Supplier Connection Pricing

Textiles purchased by Herman Miller through the Supplier Connection program are COM. COM is a Category 1 fabric. There are no application charges for COM fabrics.

Payment for textiles purchased by Herman Miller through the Supplier Connection program is the responsibility of the customer or dealer. Herman Miller will invoice the order at the supplier's prices published at the time of the order.

Customer's Own Material Order Information — Workspaces

continued

Textile Approval

1. Refer to Omni to identify the approval status of the textile. If your textile is not listed, contact the COM Department to request testing for application to Herman Miller products.
2. Herman Miller will notify you of approval or disapproval in approximately 4 days from receipt of the test yardage. If the textile is approved, it will be assigned a COM identification number.

Ordering Products with Supplier Connection COM

1. Identify and include the following information on your purchase order:
 - Product number and option
 - Herman Miller's COM identification number
2. Enter your order on Order Manager in Omni.
3. Upon receipt of the purchase order, Herman Miller will process your order and send you a PO acknowledgment. Herman Miller will determine the yardage required to produce your product and will order and schedule for delivery the required textile. Standard lead times in effect at the time the textile is allocated at the supplier will apply to products ordered through this program.



Proprietary Textiles Application Chart — Workspaces

• Available

A Assigned lead-time textile.

See following page for exception notes.

	Action Office® Panels/Connectors	Action Office/Ethospace® B-Style Storage	Action Office B-Style Tackboards	Action Office/Ethospace E-Style Storage	Ethospace Tiles/Connectors	Ethospace Work Surface-Attached Screens	Ethospace/Canvas Office Landscape® Privacy Doors	Exclave® Tackable Boards and Stowage Tackable Backdrop	Exclave Video-Friendly Tackable Boards and Stowage Tackable Backdrop	Canvas Tiles/Extended Width Tiles	Canvas B-/E-Style Storage	Canvas Standing Screen and Team Wall Infill	Canvas Tackboards	Layout Studio® Framed Screen	Locale® Display Tackboard	Locale Freestanding Screen and Workbase Screen	Locale L-Desk/D-Desk Screens	Parit™ Screens/Flat Edge Screens	Public Office Landscape® Screen/Desk Top Divider	Renew™ Link Screens	Resolve® Boundary Screens/Flags	Resolve Display Screens	Resolve Rolling Screens/Canopies	Thrive® Personal Side Screen	5000 Series Storage and Tackboards	Tu® Wood Storage Cubby Tackboard	Seating
Price Category 1																											
COM	Customize Own Material A																										
8A__																											
2V__	•	•	•	•	•	•				22	•	•	•	•	•	•						•					
8T__	2	2	2	•	•		•	•	8	•	2	•	•	•	•	•	•	•	•					•	3	•	18
95__	2	2	2	•	•		•			•	2	•	•	•	•	•	•	•	•					•	3	•	•
2I__	•	•	•	•	•	•	•			•	•	•	•	•	•	•	•	•	•					•	3	•	•
1MN__	2	2	2	•	•		•			•	2	•	•	•	•	•	•	•	•					•		•	•
8B__						•															•		•			•	•
5T__	•	•	•	•	•	•	•			•	•	•	•	•	•	•	•	•	•					•		•	•
8C__																						•					
2M__	•	•	•	•	•	•	•			•	•	•	•	•	•	•	•	•	•					•	3	•	•
22F__	6		•	•	•	•	•			•	•	•	•	•	•	•	•	•	•					3	•	•	•
Price Category 2																											
3P__		2		•																							•
51__	•	•	•	•	•	•	•			•	•	•	•	•	•	•	•	•	•						3	•	•
92__	2	•	•	•	•	•	•	•	8	•	•	•	•	•	•	•	•	•	•					•	3	•	•
57__	•	•	•	•	•	•	•			•	•	•	•	•	•	•	•	•	•					•	3	•	•
84__	4			•	•	•	•			•	•	•	•	•	•	•	•	•	•					19	3	•	•
4N__	2	2	2	•	•	•	•			•	•	•	•	•	•	•	•	•	•					3	•	•	•
1LM__	2	2	2	•	•	•	•			•	•	•	•	•	•	•	•	•	•					•		•	•
1HA__	2	2	2	•	•	•	•	•	8	•	•	•	•	•	•	•	•	•	•	•					•		•
3A__	2	2	2	•	•	•	•			22	2	•	•	•	•	•	•	•	•	•				•	3	•	•
43__										•	•	•	•	•	•	•	•	•	•							•	•
8R__	5	2	2	•	•	•	•			•	2	•	•	•	•	•	•	•	•	•				•	3	•	18
Price Category 3																											
70__	2	2	2	•		•				•	2	•	•	•	•	•	•	•	•					•	3	•	•
1FB__	•	•	•	•	•	•	•			•	•	•	•	•	•	•	•	•	•					•	3	•	•
1FC__	•	•	•	•	•	•	•			•	•	•	•	•	•	•	•	•	•					•	3	•	•
8Z__	•	•	•	•	•	•	•			•	•	•	•	•	•	•	•	•	•					•	3	•	•
47__	•	•	•	•	•	•	•	•	8	•	•	•	•	•	•	•	•	•	•	•				•	3	•	•
5D__	2	2	2	•	•	•	•			•	2	•	•	•	•	•	•	•	•	•				•	3	•	•
8L__	•	20	•	•	•	•	•			•	•	•	•	•	•	•	•	•	•							•	•
8U__		2	2	•						•		•	•	•	•	•	•	•	•					3	•	18	•
8W__	•	•	•	•	•	•	•			•	•	•	•	•	•	•	•	•	•	•				•	3	•	•

continued on next page

Proprietary Textiles Application Chart — Workspaces

continued

	Action Office® Panels/Connectors	Action Office/Ethospace® B-Style Storage	Action Office B-Style Tackboards	Action Office/Ethospace E-Style Storage	Ethospace Tiles/Connectors	Ethospace Work Surface-Attached Screens	Ethospace/Canvas Office Landscape® Privacy Doors	Exclave® Tackable Boards and Stowage Tackable Backdrop	Exclave Video-Friendly Tackable Boards and Stowage Tackable Backdrop	Canvas Tiles/Extended Width Tiles	Canvas B-/E-Style Storage	Canvas Standing Screen and Team Wall Infill	Canvas Tackboards	Layout Studio® Framed Screen	Locale® Display Tackboard	Locale Freestanding Screen and Workbase Screen	Locale L-Desk/D-Desk Screens	Pari™ Screens/Flat Edge Screens	Public Office Landscape® Screen/Desk Top Divider	Renew™ Link Screens	Resolve® Boundary Screens/Flags	Resolve Display Screens	Resolve Rolling Screens/Canopies	Thrive® Personal Side Screen	5000 Series Storage and Tackboards	Tu® Wood Storage Cubby Tackboard	Seating
Price Category 4																											
2X__ Glisten	•	•	•	•	•		•			•	•	•	•	•	•					•					•	•	
6S__ Quilty	2	2	2	•	•		•			•	2	•	•	•	•										3	•	•
63__ Sironetta	•	•	•	•	•		•			•	•	•	•	•	•	•		•	•					•	3	•	•
Price Category 5																											
No fabrics available at this time.																											
Price Category 6																											
No fabrics available at this time.																											

- 1 Refer to price book appendices and Kiosk for COM information. COM not available on panels.
- 2 Available on all products except 54" and 60" wide.
- 3 Fabric is railroaded for all widths.
- 4 Not available on Action Office (AO) acoustical panels.
- 5 (8R__), (8T__), (85__), and (5S__) not available on AO acoustical panels and not available on 54"- or 60"-wide products.
- 6 Not available on Action Office (AO) connectors, cable management, and spacers.
- 8 Available in select colors. See the "Proprietary Textile Colors — Seating" appendix.
- 14 Not available on Resolve flags.
- 15 Fabric is railroaded for all widths, except on Passage full-height screens.
- 16 Not available on Passage full-height screens. Fabric is railroaded for all widths.
- 18 Available on seating products in select colors. See the "Proprietary Textile Colors — Seating" appendix.
- 19 Not available in Grosgrain (84__) fabric colors 8401, 8405, and 8413.
- 20 Available only on Ethospace B-Style.
- 22 Not available as railroaded application option for Chain and Moire on Canvas extended width tiles.
- 24 Not available on Ethospace cable access tile, cable channel tile, or beltline face tile.

Application Note: Herman Miller cannot guarantee material/pattern alignment in adjacent products. For example, a fabric's pattern may not align from one screen to the next, or from one panel to the next.

Proprietary Textile Colors – Workspaces

Price Category 1

Customer's Own Material
See Order Information in
Appendices.
Assigned lead-time textile. A

Bubbletack™	
100% polyester	
8A01	Seashell White
8A02	Pearl Grey
8A05	Dune Beige
8A07	Pebble Beige
8A09	Olive Green
8A13	Slate Purple
8A19	Spa Blue
8A24	Sable Grey
8A27	Summer White
8A28	Moth Grey
8A29	Tea Leaf Grey
8A30	Blue Grey
8A31	Dusty Bronze
8A32	Slate Blue
8A33	Caramel Beige
8A34	Kiwi Green
8A35	Studio White
8A36	Blush Grey
8A37	Shale
8A38	Slate
8A39	Eggnog
8A40	Persimmon
8A41	Bud

Chain	
66" wide	
100% recycled polyester	
2V01	Pearl
2V02	Oyster
2V03	Wheat
2V04	Linen
2V05	Wicker
2V06	Bamboo
2V07	Sage
2V08	Spring Wood
2V09	Iceberg

Crossing	
54" wide	
86% antimony-free polyester	
14% polyester	
8T03	Wicker *
8T04	Porcelain *
8T05	Warm Grey *
8T06	Sepia
8T07	Pumpkin
8T08	Copper
8T09	Cranberry
8T10	Tomato
8T11	Mulberry
8T12	Plum
8T13	Green Apple
8T14	Loden
8T15	Spruce
8T16	Periwinkle
8T17	Cerulean
8T18	Indigo
8T19	Shale *
8T20	Brownstone
8T21	Bark
8T22	Tin *
8T23	Graphite
8T24	Black

Crossing	
For systems products only.	
54" wide	
86% antimony-free polyester	
14% polyester	
8501	Ivory *
8502	Oyster *

* Crossing colors available on
Exclave® Video-friendly Tackable
Boards and Stowage Tackable
Backdrop

Gem	
54" wide	
100% antimony-free polyester	
9501	Sesame
9502	Tangerine
9503	Red
9504	Red Violet
9505	Mulberry
9506	Java
9507	Twilight
9508	Bayou
9509	Iris
9510	Berry Blue
9511	Aqua Green
9512	Green Apple
9513	Spruce
9514	Black
9515	Slate Grey
9516	Fog

Grasscloth	
66" wide	
100% recycled polyester	
2101	Silver Birch
2102	Pampas
2103	Sedge
2107	Lea
2108	Taro
2109	Steam Grey
2110	Cayenne
2111	Bottle Green
2112	Surf
2113	Gravel

Monologue	
54" wide	
56% recycled polyester	
44% polyester	
1MN01	Linen
1MN02	Alabaster
1MN03	Truffle
1MN04	Folkstone
1MN05	Silver Pine
1MN06	Slate
1MN07	Seed
1MN08	Yellow Oxide
1MN09	Persimmon
1MN10	Tundra
1MN11	Meadow
1MN12	Blue Sky
1MN13	Blue Spruce
1MN14	Deep Sea

Multiscrim™	
60" wide	
100% polyester	
8B01	Seashell White
8B02	Pearl Grey
8B05	Dune Beige
8B07	Pebble Beige
8B09	Olive Green
8B15	Slate Purple
8B19	Spa Blue
8B24	Sable Grey
8B27	Summer White
8B28	Moth Grey
8B29	Tea Leaf Grey
8B30	Blue Grey
8B31	Dusty Bronze
8B32	Slate Blue
8B33	Caramel Beige
8B34	Kiwi Green
8B35	Studio White
8B36	Blush Grey
8B37	Shale
8B38	Slate
8B39	Eggnog
8B40	Persimmon
8B41	Bud

Price category 1 continued on
next page

Proprietary Textile Colors — Workspaces

continued

Price Category 1

continued

Resonance

66" wide	
100% polyester	
5T04	Greige
5T05	Porcelain
5T06	Alabaster
5T15	Iris
5T28	Sugar
5T47	Tobacco
5T54	Saltbush
5T57	Seed
5T58	Sepia
5T59	Tundra
5T60	Iceberg
5T61	Black
5T62	Chamois
5T63	Citrus
5T64	Tangerine
5T65	Red
5T66	Wild Berry
5T67	Boysenberry
5T68	Pistachio
5T69	Green Apple
5T70	Forest
5T71	Jade
5T72	Blue Green
5T73	Bright Turquoise
5T74	Twilight

Scrim Trim

61" wide	
82% polyester	
18% spandex	
8C01	Seashell White
8C02	Pearl Grey
8C22	Winter Grey
8C24	Sable Grey

Silkworm

66" wide	
58% recycled polyester	
42% polyester	
2M01	Cocoon
2M02	Pongee
2M03	Saffron
2M04	Tussah
2M05	Ceylon
2M06	Jasmine
2M07	Shale
2M08	Monsoon

Slant

66" wide	
51% polyester	
49% recycled polyester	
22F01	Beech Nut
22F02	Chamois
22F03	Chartreuse
22F04	Pesto
22F05	Peacock
22F06	Neptune
22F07	Blueberry
22F08	Boysenberry
22F09	Magenta
22F10	Pumpkin
22F11	Cranberry
22F12	Silver Birch
22F13	Bluestone
22F14	Truffle
22F15	Shale

Price Category 2

ColorGuard

54" wide	
100% vinyl	
3P01	Grey
3P02	Navy
3P03	Spruce
3P08	Blueberry
3P12	Black Plum
3P14	Black
3P19	Slate
3P31	Horizon Blue
3P33	Pumice
3P54	Candy Apple
3P72	Allspice
3P96	Manzanita
3P97	Fudge
3PB2	Sea Grass
3PB5	Vizcaya Palm
3PB9	Neptune
3PC7	Bucksuede
3PD4	Otter

^A Assigned lead-time color.

Cord

66" wide	
51% antimony-free polyester	
49% polyester	
5101	Ivory
5102	White Ash
5103	Linen
5104	Bamboo
5105	Sepia
5106	Wicker
5107	Sesame
5108	Kiwi Green
5109	Bayou
5110	Shade
5111	Spring Wood
5112	Summer White

Crepe

54" wide	
100% recycled polyester	
9201	Licorice
9203	Smoke
9207	Cherry
9209	Claret
9212	Raisin
9218	Aquamarine
9223	Cadet
9241	Beachglass
9243	Midnight
9244	Artichoke
9248	Warm White *
9249	Stone *
9250	Earth
9251	Fog *
9252	Slate Grey
9253	Yellow Dark
9254	Coral
9255	Blush Grey *
9256	Wild Berry
9257	Clover
9258	Caribbean
9259	Cerulean
9260	Brownstone
9261	Shale
9262	Graphite
9263	Tomato
9264	Green Apple

* Crepe colors available on Exclave® Video-friendly Tackable Boards and Stowage Tackable Backdrop

Price category 2 continued on next page

Proprietary Textile Colors — Workspaces

continued

Price Category 2

continued

Frost	
66" wide	
100% recycled polyester	
5701	Bisque
5702	Abalone
5703	Porcelain
5704	Honey
5705	Iceberg
5706	Sage
5707	Reed
5708	Steam Grey
5709	Gunmetal
5710	Sable Grey

Grosgrain	
66" wide	
100% recycled polyester	
8401	Pearl * **
8402	White Ash
8403	Warm Grey
8404	Khaki
8405	Oyster *
8406	Celadon
8407	Chamois
8408	Spa Blue
8409	Bud
8410	Kiwi Green
8411	Bayou
8412	Tin
8413	Iceberg *

* Grosgrain colors not available on Canvas Dock Mounted Screens, Locale® Workbase Screen, Public Office Landscape® Screen/Desk Top Divider, and Thrive® Personal Side Screen.
 ** Color not available on Canvas tiles.

Horizon	
54" wide	
65% antimony-free polyester	
35% polyester	
4N01	Rye Grass
4N02	Sugar Pine
4N03	Silver Pine
4N04	White Ash
4N05	Spring Wood
4N06	Tamarack
4N07	Mushroom
4N08	Haystack
4N09	Oat Grass
4N10	Forest Moss
4N11	Hickory
4N12	Beech Nut
4N13	Pine Cone
4N14	Poplar
4N15	Elderberry

Loom	
54" wide	
100% polyester	
1LM01	Linen
1LM02	Brown Sugar and Spice
1LM03	Brick and Mortar
1LM04	Salt and Pepper
1LM05	Black
1LM06	Lemongrass
1LM07	Poppy
1LM08	Wild Berry
1LM09	Loden
1LM10	Jade
1LM11	Deep Sea

Medley	
54" wide	
100% polyester	
1HA01	Stone *
1HA02	Trail
1HA03	Charcoal
1HA04	Cinder
1HA05	Citrus
1HA06	Papaya
1HA07	Chutney
1HA08	Tundra
1HA09	Feather Grey *
1HA10	Chartreuse
1HA11	Loden
1HA12	Peacock
1HA13	Bayou *
1HA14	Blue Grotto
1HA15	Blueberry
1HA22	Khaki
1HA23	Pewter
1HA24	Yellow Oxide
1HA25	Vintage Rose
1HA26	Raspberry
1HA27	Acai Berry

* Colors available on Exclave®
 Stowage Video-friendly
 Tackable Backdrop

Moiré	
54" wide	
100% recycled polyester	
3A01	Concrete
3A02	Biscotti
3A03	Rattan
3A04	Chambray
3A05	Fern
3A08	Violet
3A09	Zin
3A10	Curry
3A11	Spice
3A12	Cork

Tape	
66" wide	
52% polypropylene	
48% recycled polyester	
4301	Pearl
4302	Oyster
4303	Wicker
4304	Reed
4306	Celadon
4307	Alabaster
4308	Bamboo
4309	Feather Grey
4310	Iceberg

Twist	
54" wide	
80% antimony-free polyester	
13% recycled polyester	
7% polyester	
8R05	Wicker
8R10	Poppy
8R14	Tin
8R15	Shale
8R16	Graphite
8R17	Birch
8R18	Sepia
8R22	Blueberry
8R23	Green Apple
8R26	Gunmetal
8R27	Cinder
8R28	Citrus
8R29	Pekoe
8R30	Tangerine
8R31	Red Plum
8R32	Wisteria
8R33	Forest
8R34	Jade Dark
8R35	Waterfall
8R36	Midnight Blue
8R37	Carbon Dark

Price category 2 continued on next page

Proprietary Textile Colors — Workspaces

continued

Price Category 2

continued

Twist	
For systems products only.	
54" wide	
80% antimony-free polyester	
13% recycled polyester	
7% polyester	
5S01	Pearl
5S02	Ivory
5S03	Oyster

Price Category 3

Bento	
54" wide	
100% antimony-free polyester	
7001	Frost
7002	Linen
7003	Khaki
7004	Truffle
7005	Grey Black
7006	Pumpkin
7007	Cranberry
7008	Everglade
7009	Cobalt

Connection	
66" wide	
100% antimony-free polyester	
1FB1	Oyster
1FB2	Linen
1FB3	Iceberg
1FB4	Silver Pine
1FB5	Apricot
1FB6	Cumin
1FB7	Green Apple
1FB8	Slate Blue
1FB9	Metal

Current	
66" wide	
100% antimony-free polyester	
1FC1	Oyster
1FC2	Linen
1FC3	Iceberg
1FC4	Silver Pine
1FC5	Apricot
1FC6	Cumin
1FC7	Green Apple
1FC8	Slate Blue
1FC9	Metal

Glaze	
66" wide	
100% recycled polyester	
8Z01	Wicker
8Z02	Honey
8Z03	Porcelain
8Z04	Celadon
8Z05	Spearmint
8Z06	Rye
8Z07	Frost
8Z08	Silver Birch

Ground Cloth®	
66" wide	
100% polyester	
4701	Vapor Grey
4721	Warm White *
4722	Fog *
4723	Straw *
4724	Red Orange *
4725	Wild Berry *
4726	Green Apple *
4727	Caribbean *
4728	Midnight *
4729	Cappuccino *

* Colors available on Exclave®
Video-friendly Tackable
Boards and Stowage Tackable
Backdrop

Kira 2	
54" wide	
100% recycled polyester	
5D11	Flaxen
5D12	Papyrus
5D13	Oasis
5D14	Incense
5D15	Ash
5D16	Falcon

Savannah	
66" wide	
76% recycled polyester	
24% polypropylene	
8L01	Pearl
8L02	Oyster
8L03	Wheat
8L04	Jute
8L05	Bamboo
8L06	Metal
8L07	Linen
8L08	Celadon
8L09	Moss
8L10	Frost
8L11	Shale
8L12	Pewter

Stitches	
54" wide	
54% polyester	
46% recycled polyester	
8U02	Rye
8U03	Khaki
8U04	Honey
8U05	Cattail
8U08	Cool Grey
8U09	Slate Blue
8U11	Evening Blue
8U12	Charcoal
8U13	Kiwi Green
8U16	Cocoa
8U17	Seed

Stitches	
For systems products only.	
54" wide	
54% polyester	
46% recycled polyester	
5Z01	White Ash

Price category 3 continued on next page

Proprietary Textile Colors — Workspaces

continued

Price Category 3

continued

Strands	
66" wide	
100% recycled polyester	
8W01	Pebble
8W02	Porcelain
8W03	Taupe
8W04	Honey
8W05	Khaki
8W06	Rye
8W07	Wicker
8W08	Tin
8W09	Cool Grey

Price Category 4

Glisten	
66" wide	
84% polyester	
16% recycled polyester	
2X02	Rye
2X05	Iceberg
2X07	Celadon
2X09	Pewter
2X10	Ash

Quilty	
56" wide	
100% antimony-free polyester	
GreenShield	
6S03	Khaki
6S04	Straw
6S07	Brick
6S10	Mink
6S11	Green Apple
6S13	Indigo
6S14	Zinc
6S15	Slate
6S16	Beachwood
6S17	Paprika
6S18	Plum
6S19	Juniper
6S20	Grey Black

Sironetta	
66" wide	
100% recycled polyester	
6301	Acapella
6302	Sonata
6303	Interlude
6304	Legato
6308	Harmony
6309	Ensemble

Price Category 5-6

No fabrics available at this time.



For more information about our products and services or to see a list of dealers, please visit us at HermanMiller.com or call (800) 851 1196.

© 2018 Herman Miller, Inc., Zeeland, Michigan

® **HermanMiller**, ●, Action Office, Aeron, Aside, Avive, Canvas Office Landscape, Caper, Celle, Co/Struc, Eames, Embody, Equa 2, Ergon 3, Ethospace, Exclave, Fine-Tune, FlexFront, Formcoat, Ground Cloth, Herman Miller Healthcare, Layout Studio, Maharam, Meridian, Mirra, Passage, Pellicle, Perspectives, PostureFit, Resolve, Sayl, Setu, Thrive, Tu, Y-Tower, and Z-Axis are among the registered trademarks of Herman Miller, Inc., and its owned subsidiaries.

™ AireWeave, Bubbletack, Cellular Suspension, Compass, Connect, DOT, Durawrap, Everywhere, Flex-Edge, Hopsak 2, Intent, Iota, Keyless Entry, Latitude, Lyris 2, Motia, Multiscrim, Nelson, Renew, Stackable, Swoop, TriFlex, Twist, and Verus are among the trademarks of Herman Miller, Inc., and its owned subsidiaries.

®Chemsurf® is a registered trademark of Wilsonart International.

Corian® is a registered trademark of E.I. du Pont de Nemours and Company Corporation.

FLEXNET™ is a trademark of Milliken & Company.

Floor Saver Glide® is a registered trademark of Carpin Manufacturing, Inc.

Geiger® is a registered trademark of Geiger International.

Microsoft® and Natural® Keyboard are registered trademarks of Microsoft Corporation.

Place Textiles® is a registered trademark of Place Textiles.