

MIUNN

Karri Monni | 2011



MIUNN

Karri Monni | 2011

When minimalism embraces. It involves technology and the 3D processing of a wood sheet. It involves a hand that designs, thinking of itself, of the palm that holds water and sand. The result is sinuous MIUNN, with an embracing seat and perfect support for the back. Available in a chair or stool version, it comes in different heights. Serenely, just as it was designed.



MIUNN

Karri Monni | 2011

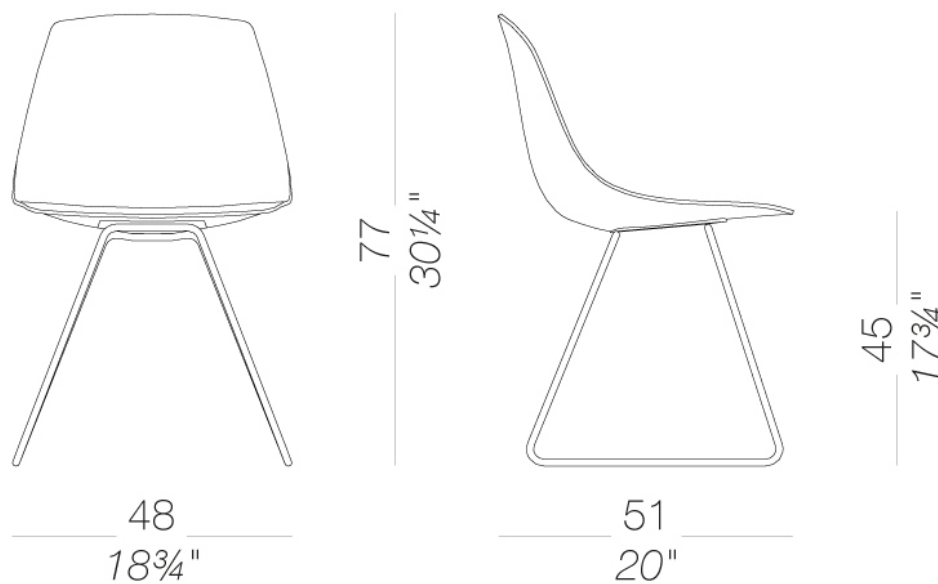


S160 slide-frame base

MIUNN | S160 S161 S162 S164

Family of chairs with shell in 3D moulded plywood in several finishes, or in Baydur® or fully upholstered. 4 star swivel base, 4-leg base or sled base which are either mat chromed or powder coated or with wooden legs. This seating program includes a stool with fix height or height adjustable.

TEST EN 1728:2012 AC:2013 6.17 - EN 16139:2013 - L2 extreme



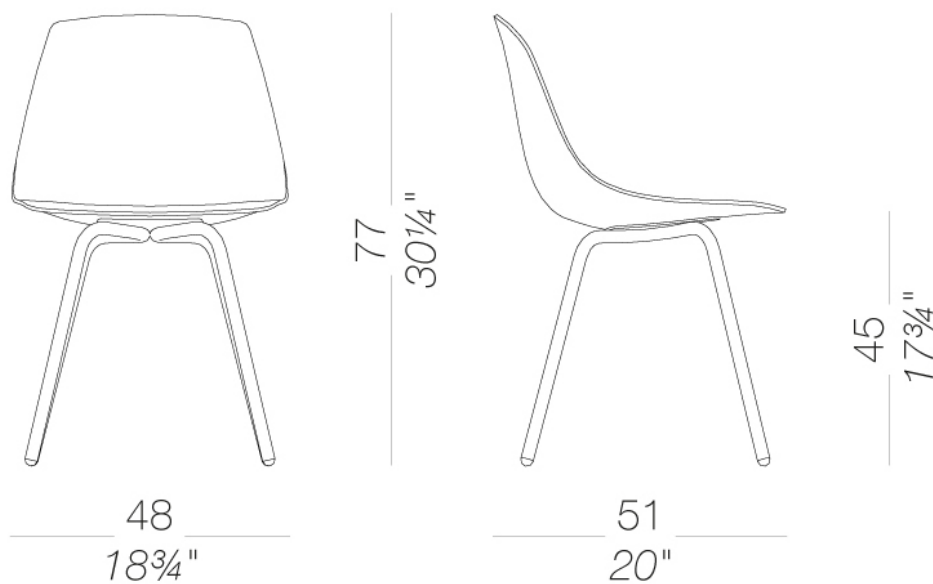
MIUNN

Karri Monni | 2011

S161 4-legged

MIUNN | S160 S161 S162 S164

Family of chairs with shell in 3D moulded plywood in several finishes, or in Baydur® or fully upholstered. 4 star swivel base, 4-leg base or sled base which are either mat chromed or powder coated or with wooden legs. This seating program includes a stool with fix height or height adjustable.



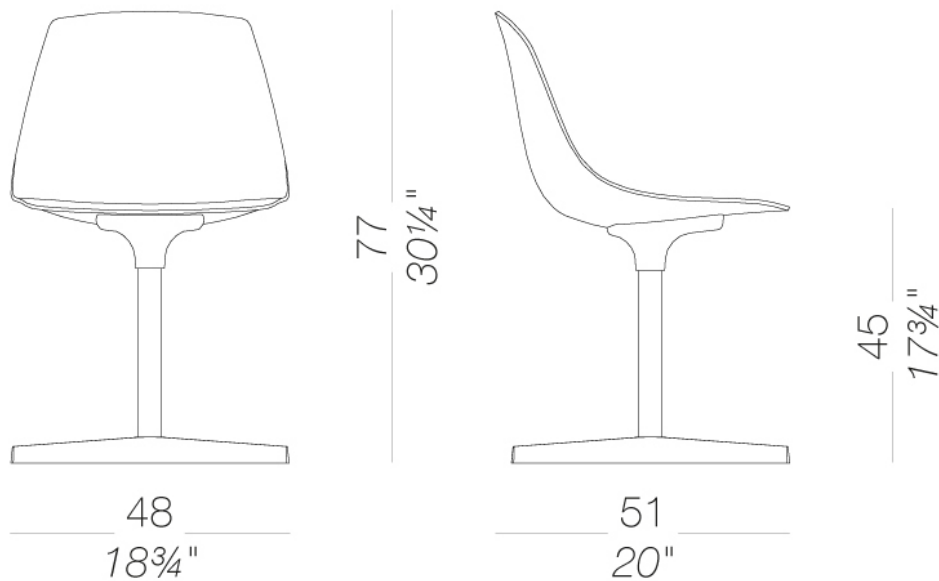
MIUNN

Karri Monni | 2011

S162 Star-shaped swivel base

MIUNN | S160 S161 S162 S164

Family of chairs with shell in 3D moulded plywood in several finishes, or in Baydur® or fully upholstered. 4 star swivel base, 4-leg base or sled base which are either mat chromed or powder coated or with wooden legs. This seating program includes a stool with fix height or height adjustable.



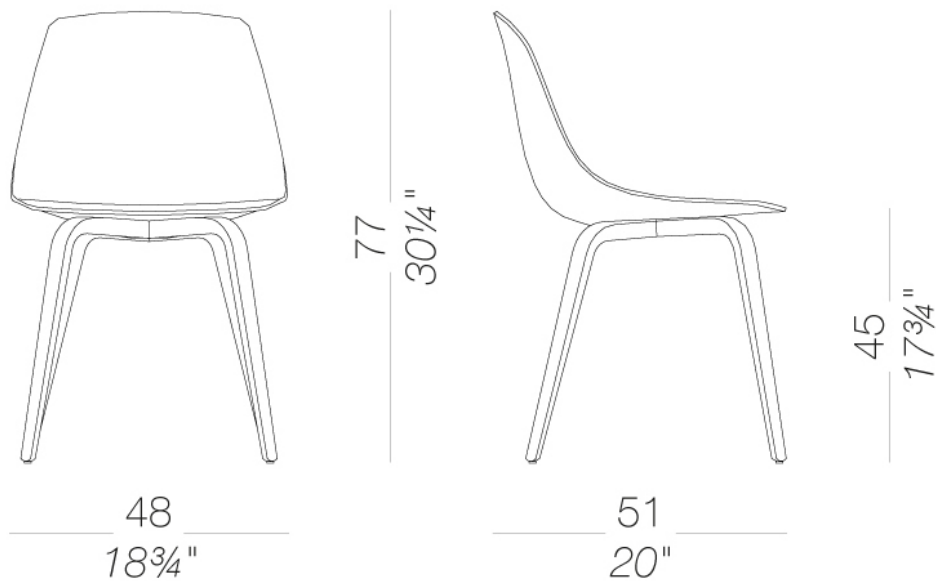
MIUNN

Karri Monni | 2011

S164 With four wood legs

MIUNN | S160 S161 S162 S164

Family of chairs with shell in 3D moulded plywood in several finishes, or in Baydur® or fully upholstered. 4 star swivel base, 4-leg base or sled base which are either mat chromed or powder coated or with wooden legs. This seating program includes a stool with fix height or height adjustable.



MIUNN

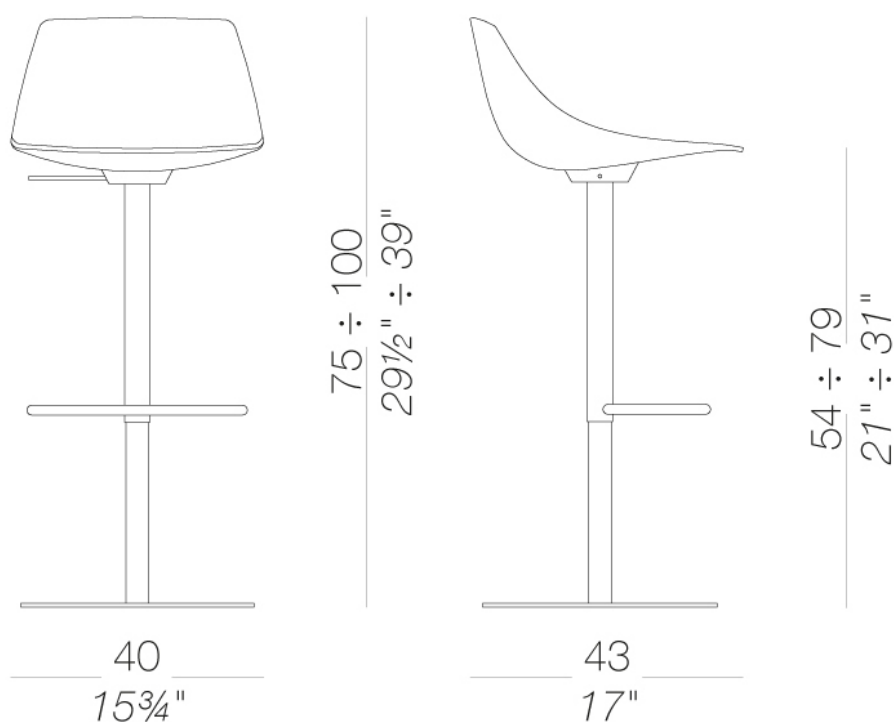
Karri Monni | 2011

S104T | Stool with round base With height-adjustable column H54 ÷ 79

MIUNN | S104 S104T

Stool with swivel seat and adjustable height with column in sandblasted stainless steel Aisi 304 and round or square base covered by a stainless steel sheet "linen fabric" pattern. The frame with round base is also available entirely powder coated. Seat formed of a single shell using 3D ply moulding technology in several wood finishes, or in Baydur® polyurethane white or black lacquered or totally upholstered in fabric, leather or eco-leather.

TEST EN 15373:2007 - L3 severe



MIUNN

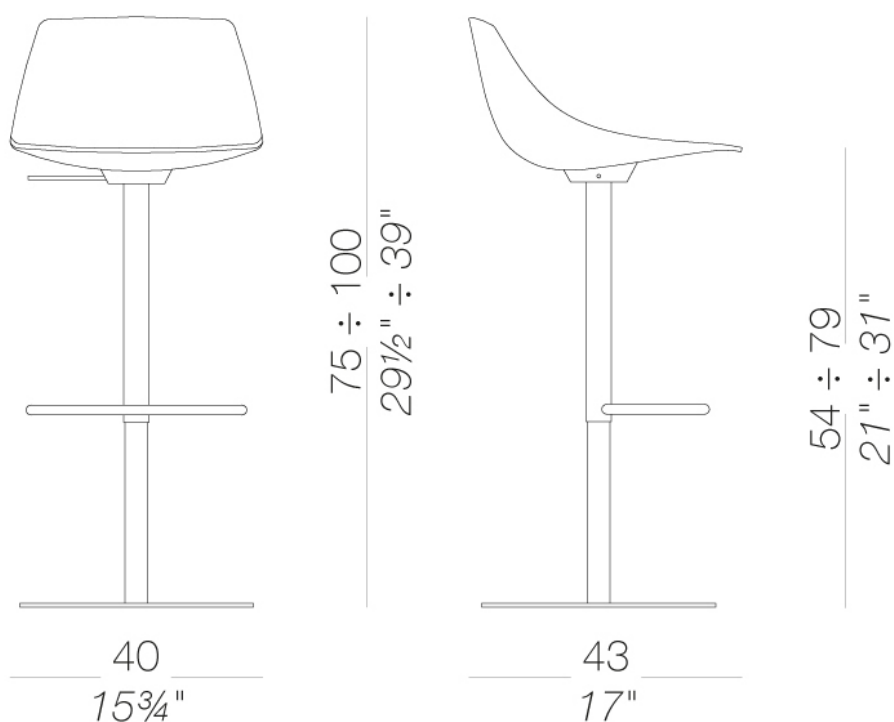
Karri Monni | 2011

S104 | Stool with square base With height-adjustable column H54 ÷ 79

MIUNN | S104 S104T

Stool with swivel seat and adjustable height with column in sandblasted stainless steel Aisi 304 and round or square base covered by a stainless steel sheet "linen fabric" pattern. The frame with round base is also available entirely powder coated. Seat formed of a single shell using 3D ply moulding technology in several wood finishes, or in Baydur® polyurethane white or black lacquered or totally upholstered in fabric, leather or eco-leather.

TEST EN 15373:2007 - L3 severe



MIUNN

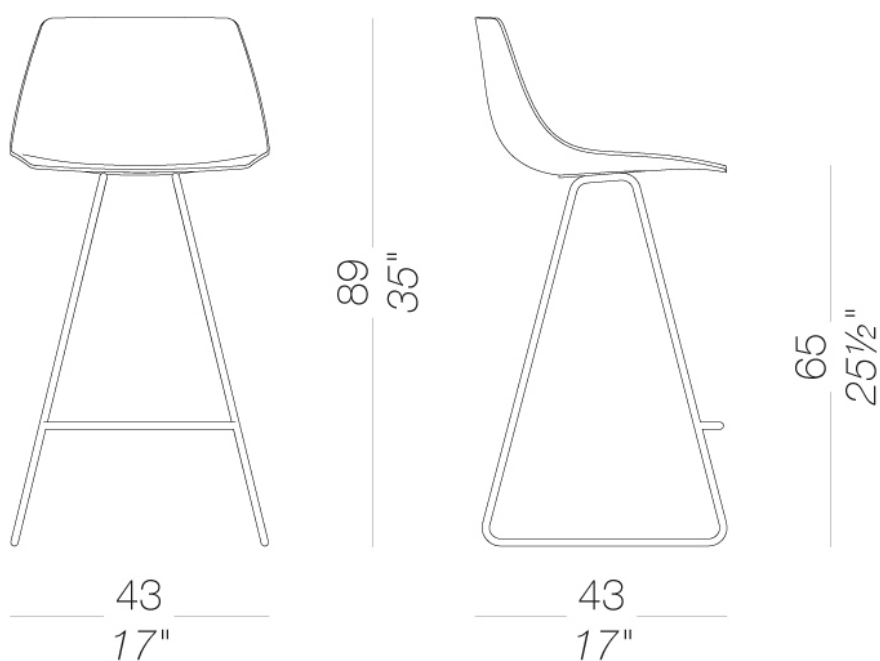
Karri Monni | 2011

S104_65 Stool with slide-frame base H65

MIUNN | S104 S105

Stool in two heights with woden legs or mat chromed frame. Also available in powder coated black or white with glides in Lexan® and felt. Seat formed of a single shell using 3D ply moulding technology in several wood finishes, or in Baydur® polyurethane white or black lacquered or totally upholstered in fabric, leather or eco-leather.

TEST EN 1728:2012 AC:2013 6.4-6.5 - EN 16139:2013 - L2 extreme



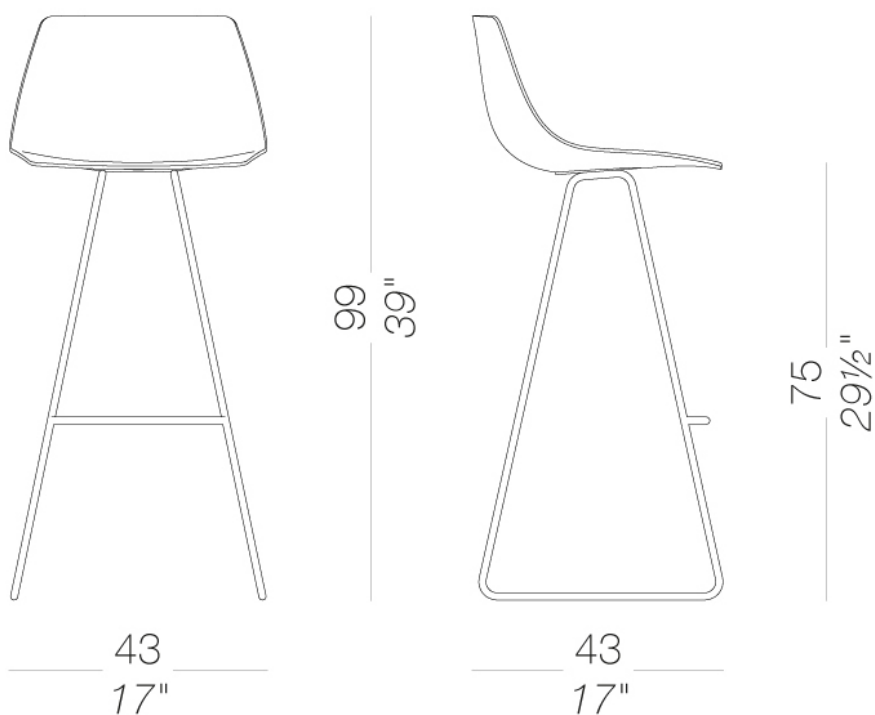
MIUNN

Karri Monni | 2011

S104_75 Stool with slide-frame base H75

MIUNN | S104 S105

Stool in two heights with woden legs or mat chromed frame. Also available in powder coated black or white with glides in Lexan® and felt. Seat formed of a single shell using 3D ply moulding technology in several wood finishes, or in Baydur® polyurethane white or black lacquered or totally upholstered in fabric, leather or eco-leather.



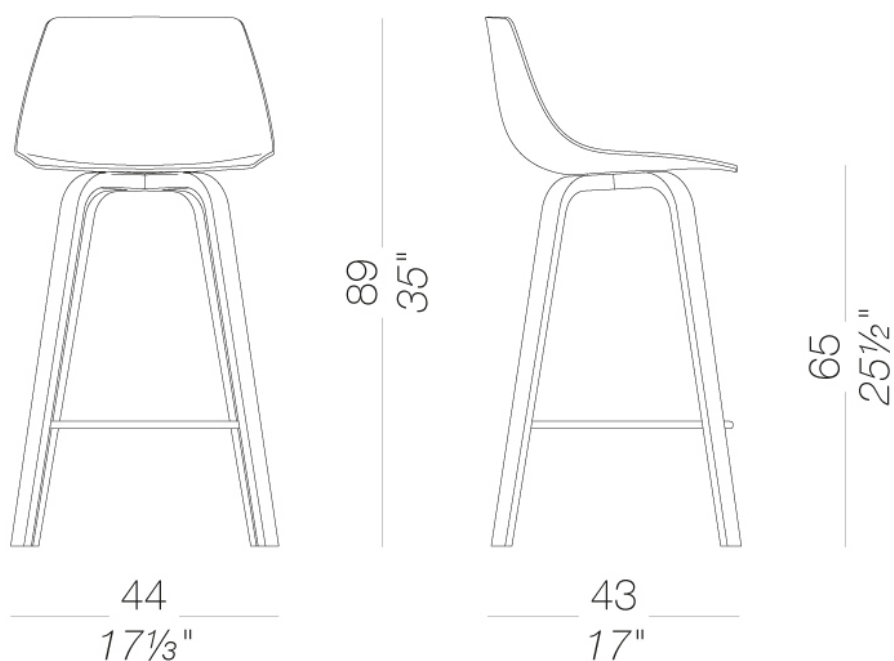
MIUNN

Karri Monni | 2011

S105_65 | Stool with wood legs for kitchens or restaurants H65

MIUNN | S104 S105

Stool in two heights with wooden legs or mat chromed frame. Also available in powder coated black or white with glides in Lexan® and felt. Seat formed of a single shell using 3D ply moulding technology in several wood finishes, or in Baydur® polyurethane white or black lacquered or totally upholstered in fabric, leather or eco-leather.



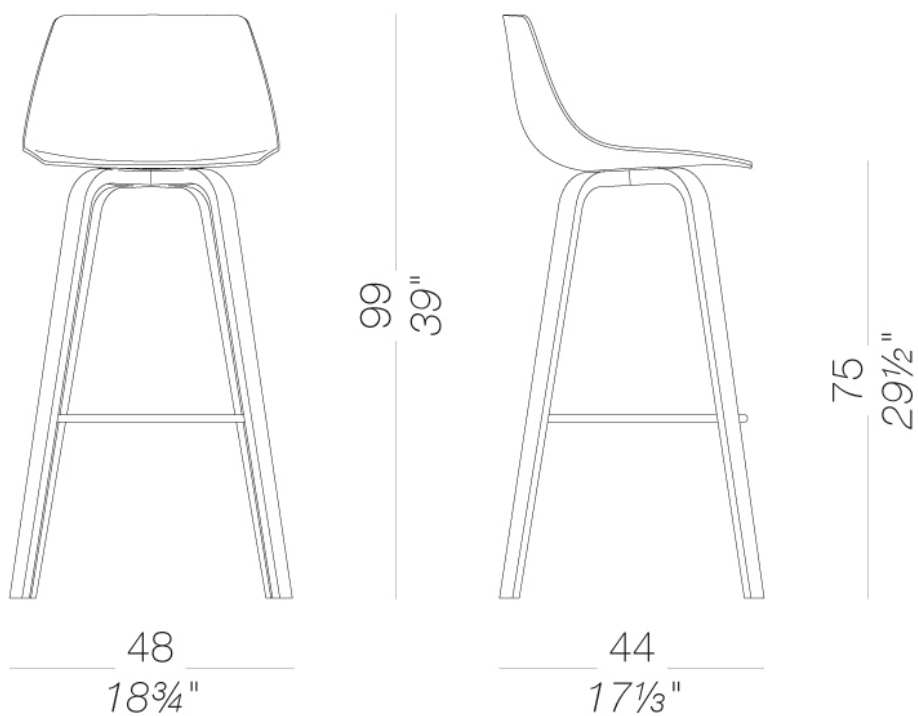
MIUNN

Karri Monni | 2011

S105_75 | Stool with wood legs for kitchens or restaurants H75

MIUNN | S104 S105

Stool in two heights with wooden legs or mat chromed frame. Also available in powder coated black or white with glides in Lexan® and felt. Seat formed of a single shell using 3D ply moulding technology in several wood finishes, or in Baydur® polyurethane white or black lacquered or totally upholstered in fabric, leather or eco-leather.



MIUNN

Karri Monni | 2011

frame



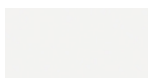
powder coating
black
1 Colors



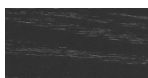
wood
blanched oak
1 Colors



metal
stainless steel
1 Colors



powder coating
white
1 Colors



wood
black open pore
1 Colors



metal
mat chromed
1 Colors

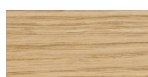


metal
aluminium
1 Colors

shell



plastics
Baydur®
2 Colors



wood
blanched oak
1 Colors



wood
black open pore
1 Colors



wood
oak dark walnut
1 Colors



wood
Canaletto walnut
1 Colors

upholstery



fabric
Hallingdal 65
47 Colors



fabric
Canvas 2
40 Colors



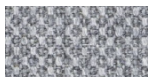
fabric
Steelcut Trio 3
48 Colors



fabric
Remix 2
24 Colors



fabric
Clara 2
24 Colors



fabric
Fiord
24 Colors



fabric
Divina MD
24 Colors



fabric
Divina Melange 2
24 Colors



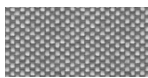
fabric
Tonica 2
39 Colors



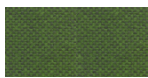
fabric
Medley
37 Colors



fabric
Swing
24 Colors



fabric
Maya
43 Colors



fabric
Jet
44 Colors



fabric
Laser J Flash
24 Colors



leather
leather
7 Colors



ecoleather
GRIMM FR
24 Colors

consult the portfolio for the range of colors, fabrics, eco-leather, soft-leather.

use and maintenance instructions

Clean all parts in wood, leather, fabric and metal with a damp cloth or a diluted neutral cleaner. Do not use cleaners with alcohol, bleach, solvent or abrasive products. Any liquid spilt on the product must be wiped up immediately. When lifting or moving the product, hold it on the structure and not under the seat. The product should not be subjected to unbalanced weights, as it is designed for a proper rest on the foothold (on four legs or on the base). Our company relieves from any responsibility in case of damage caused to fragile floors. Avoid any improper use of the product: do not step on the product, on the footrest or on the armrests. Avoid any movements that could compromise the proper functionality of the product or the safety of the users. Wood and leather, being natural materials, could be easily damaged. Small impurities or imperfections are within quality standard range. Do not expose the product to weather conditions or atmospheric agents, nor to heat sources over 40°C. Also products for outdoor use could be afflicted by atmospheric agents. The product could undergo possible exterior changes due to particular exposure to heat, humidity and saltiness. An appropriate and frequent maintenance and cleaning of the product enhances its durability. The product could change colour and shade, if exposed to direct sunlight. Maintenance has to be carried out by experienced staff. Dispose of the package only after assembling the product, in order to avoid the loss of ironmongery and components. Once the product has been dismantled, the product itself or its components must be given to the public garbage disposal system, according to the legislation in force.