



GSA prices effective April 2, 2018  
(based on February 6, 2017, commercial price list)  
Published July 2018

## Multipurpose Seating

### New Aeron® Chairs

#### **General Services Administration Federal Supply Service Authorized Federal Supply Schedule Price List**

Online access to contract ordering information, terms and conditions, up-to-date pricing, and the option to create an electronic delivery order is available through GSA Advantage!, a menu-driven database system. The Internet address for GSA Advantage! is [www.gsaadvantage.gov](http://www.gsaadvantage.gov).

Office Furniture  
FSC Group 71, Part 1  
Contract Number: GS-03F-036DA  
Contract Period: December 21, 2015—December 20, 2020

Herman Miller, Inc.  
855 East Main Avenue  
Zeeland, Michigan 49464  
(616) 654 3000 Phone  
(616) 654 8278 Fax  
[www.HermanMiller.com/government](http://www.HermanMiller.com/government)

Business Size: Large



# Contract Information

## 1a. Special Item Numbers (SIN)

SIN 71-1

Packaged Offices

SIN 711-1

Furniture Systems

SIN 711-2

Computer Furniture

SIN 711-3

Filing and Storage Cabinets

SIN 711-11

Tables and Accessories

SIN 711-16

Upholstered Seating

SIN 711-18

Multi-Purpose Seating

SIN 711-91

Project Management

Services under this SIN may be used only in conjunction with the purchase of new furniture. Please contact your local Herman Miller representative to discuss the available labor categories (listed below). The hourly rates listed are "Not To Exceed" or "NTE" values.

Furniture Project Manager: \$64.75 per hour

Furniture Project Coordinator: \$49.00 per hour

Build-Out Project Manager: \$80.00 per hour

SIN 711-93

Reconfiguration and Relocation Services

Reconfiguration and Relocation Services will be provided by Herman Miller, Inc., or its participating dealer based on a fee not to exceed \$55 per hour, which applies to services totaling \$150,000 (per SIN) and below only. Services above \$150,000 shall be negotiated on a case-by-case basis. This SIN may only be used with the purchase of new product under SIN 711-1.

See \* Additional Notes for Installation & Reconfiguration and Relocation Services.

SIN 711-94

Design/Layout

Design service will be provided by Herman Miller, Inc., or its participating dealer based on a fee not to exceed \$65 per hour.

SIN 711-95

Installation Services

Installation Services will be provided by Herman Miller, Inc., or its participating dealer based on a fee not to exceed \$55 per hour (\$82.50 per hour for after-hours Installation), which applies to services totaling \$150,000 (per SIN) and below only. Services above \$150,000 shall be negotiated on a case-by-case basis.

See \* Additional Notes for Installation & Reconfiguration and Relocation Services.

\* Additional Notes for Installation & Reconfiguration and Relocation Services:

FOB Destination (Drop Ship): Price includes product delivery to the site, brought to the tailgate of the truck. The purchaser is responsible for unloading.

Prices effective up to the maximum order by SIN only. Above the MO, pricing shall be negotiated on a case-by-case basis between the client and local dealer.

Standard Services are Subject to the Following Conditions:

Installation will be performed during normal weekday working hours.

Adequate facilities for delivery, unloading, moving and staging/ storing the product during the installation process shall be provided.

Service work will not be hindered by other trades.

Electric, heat, and adequate elevator service will be furnished without charge.

The immediate installation area shall be complete and free of debris including the carpet/flooring before installation commences.

Any work requiring a licensed electrician is the responsibility of the buyer.

Additional Charges May Apply For:

Major Metro Markets and any non-ground floor installation.

Major Metro Markets include large population centers and urban environments.

Installation in a clinical/medical environment.

Special restrictions or limits established by local laws, ordinances or the directions of the buyer, including but not limited to restrictions on transportations of materials, street access to the job site and/or dock facilities.

Installations outside of a 50 mile radius of the servicing dealer.

Local Prevailing Wage and/or Union Labor Rates.

Any additional charges shall be quoted by the dealer and approved by the buyer prior to performance of the work.

SIN 711-96

Leasing

Contact Herman Miller participating government dealer for current leasing information.

SIN 711-99

New Product Introductions

# Contract Information

continued

## 1b. Lowest Priced Model

SIN 711-1:	G9999.B	\$7
SIN 711-2:	6-5-D	\$35
SIN 711-3:	9M10018	\$14
SIN 711-11:	DT9A.	\$36
SIN 711-16:	OA401	\$41
SIN 711-18:	AS90598	\$46
SIN 711-99:	R1366	\$27

## 1c. Not applicable

## 2. Maximum Order

SIN 711-1, SIN 711-2  
\$500,000 net product value

SIN 711-3, SIN 711-11  
\$300,000 net product value

SIN 711-16, SIN 711-18  
\$200,000 net product value

SIN 711-93  
\$150,000

SIN 711-94  
\$150,000

SIN 711-95  
\$150,000

SIN 711-96  
\$500,000 net product value

SIN 711-99  
\$50,000 net product value

## 3. Minimum Order

\$100 net

## 4. Geographic Coverage

Continental U.S.

Orders for Alaska, Hawaii, and Puerto Rico will be shipped F.O.B. inland carrier point of exportation.

## 5. Point of Production

Zeeland, Ottawa County, Michigan  
Spring Lake, Ottawa County, Michigan

## 6. Pricing

Prices shown are list. Discounts include Industrial Funding Fee.

SIN 711-1

Product: Selected Action Office 1, Action Office 2, C-Style Overhead Storage, Ethospace System, Quadrant Pedestals, Supplemental Products, Tu Pedestals and Pedastools, and approved Herman Miller Options Products.

Standard Lead Time	Single Order Net Purchase	Discount From list
	\$100 - 250,000	73.8%
	\$250,001 - 500,000	76.8%

SIN 711-1

Product: Selected Renew™ Tables, Renew Link and approved Herman Miller Options Products

Standard Lead Time	Single Order Net Purchase	Discount From List
	\$100 - 500,000	72.8%

SIN 711-1

Product: Selected Motia™ Tables, and approved Herman Miller Options Products

Standard Lead Time	Single Order Net Purchase	Discount From List
	\$100 - 500,000	73.8%

SIN 711-1

Product: Tu Wood Pedestals and approved Herman Miller Options Products

Standard Lead Time	Single Order Net Purchase	Discount From List
	\$100 - 300,000	74.3%

SIN 711-1

Product: Selected Canvas Office Landscape and approved Herman Miller Options Products

Standard Lead Time	Single Order Net Purchase	Discount From List
	\$100 - 500,000	74.8%

SIN 711-1

Product: Selected Layout Studio® and approved Herman Miller Options Products

Standard Lead Time	Single Order Net Purchase	Discount From List
	\$100 - 500,000	60.7%

SIN 711-1

Product: Selected Meridian Pedestals, Meridian Pedastools, and approved Herman Miller Options Products

Standard Lead Time	Single Order Net Purchase	Discount From List
	\$100 - 500,000	64.2%

# Contract Information

continued

SIN 711-1

Product: Selected Thrive Portfolio and approved Herman Miller Options Products

Standard Lead Time	Single Order Net Purchase	Discount From List
	\$100 - 250,000	62%
	\$250,001 - 500,000	66.4%

SIN 711-2

Product: Passage Desking System and approved Herman Miller Options Products

Standard Lead Time	Single Order Net Purchase	Discount From List
	\$100 - 500,000	56.7%

SIN 711-2

Product: 5000 Series Furniture and approved Herman Miller Options Products

Standard Lead Time	Single Order Net Purchase	Discount From List
	\$100 - 500,000	58.7%

SIN 711-3

Product: Meridian Laterals, Verticals, Towers, and Storage products and approved Herman Miller Options Products

Standard Lead Time	Single Order Net Purchase	Discount From List Laterals	Verticals	Towers & Storage
	\$100 - 300,000	67.3%	66.3%	62.7%

SIN 711-3

Product: Tu Lateral Files, Tu Storage, Tu Towers, Tu Wood Cases, Tu Wood Cubbies, Tu Wood Credenzas, Tu Wood Towers, and approved Herman Miller Options Products

Standard Lead Time	Single Order Net Purchase	Discount From List
	\$100 - 300,000	74.3%

SIN 711-11

Product: Selected Tables and Accessories and approved Herman Miller Options Products

Standard Lead Time	Single Order Net Purchase	Discount From List
Avive® Tables	\$100 - 250,000	72.8%
	\$250,001 - 500,000	74.8%
Herman Miller Eames® Tables	\$100 - 250,000	73.6%
	\$250,001 - 300,000	77.6%
Everywhere™ Tables	\$100 - 300,000	72.8%

SIN 711-16

Product: Swoop upholstered seating products and approved Herman Miller Options Products

Standard Lead Time	Single Order Net Purchase	Discount From List
Swoop™	\$100 - 200,000	60.7%

SIN 711-18

Product: Selected Seating and approved Herman Miller Options Products

Standard Lead Time	Single Order Net Purchase	Discount From List
Aeron® (Classic and New)	\$100 - 200,000	64.5%
Aside®	\$100 - 200,000	64.2%
Caper®	\$100 - 200,000	61.5%
Celle®	\$100 - 200,000	59.7%
Embody®	\$100 - 200,000	59.7%
Equa 2®	\$100 - 200,000	65.8%
Ergon 3®	\$100 - 200,000	68.8%
Keyn	\$100 - 200,000	57.7%
Mirra® 2	\$100 - 200,000	61.7%
Setu®	\$100 - 200,000	59.7%
Sayl®	\$100 - 200,000	62.2%
Verus™	\$100 - 200,000	63.7%

SIN 711-99

Product: Selected Exclave™, Locale®, Public Office Landscape®, Resolve® System, and approved Herman Miller Options Products

Standard Lead Time	Single Order Net Purchase	Discount From List
Exclave	\$100 - 50,000	61.7%
Locale	\$100 - 50,000	63.7%
Public Office Landscape	\$100 - 50,000	61.7%
Resolve System	\$100 - 50,000	69.8%
Intent Solution	\$100 - 50,000	58.7%

## 7. Quantity Discounts

Reference item #6.

## 8. Payment Term

Net 30 days

## 9. Government Commercial Credit Card

- Government commercial credit cards are accepted below the micropurchase threshold.
- Government commercial credit cards are accepted above the micropurchase threshold.

## 10. Foreign Items

None

## 11. Time of Delivery

- 90 day ARO
- Expedited delivery: Items listed in the 10-Day section of the catalogs are available for expedited delivery.
- Overnight/2-day delivery: Select items may be available for overnight or 2-day delivery. Contact Herman Miller or a participating dealer for availability and rates.
- Urgent requirements: Agencies may contact contractor or participating dealer to request faster delivery.

# Contract Information

continued

## 12. F.O.B.

F.O.B. destination except Alaska, Hawaii, and Puerto Rico, which will be shipped F.O.B. inland carrier point of exportation.

## 13. Ordering Address

- a. Herman Miller, Inc.,  
Government Customer Care 0161  
855 East Main Avenue  
Zeeland MI 49464.
- b. For supplies and services, the ordering procedures information on Blanket Purchase Agreements (BPA's) and a sample BPA can be found at the GSA/FSS Schedule homepage ([www.fss.gsa.gov/schedules](http://www.fss.gsa.gov/schedules)).

## 14. Payment Address.

Herman Miller, Inc.  
22764 Network Place  
Chicago, IL 60673-1227

## 15. Warranty

Herman Miller, Inc., commercial warranty applies.

## 16. Export Packing Charge

Prices supplied on request.

## 17. Terms and Conditions of Government Purchase Card Acceptance

(any thresholds above the micropurchase level)  
None.

## 18. Rental Maintenance and Repair Terms

Not applicable

## 19. Terms and Conditions of Installation

Installation Services will be provided by Herman Miller, Inc., or its participating dealer based on a fee not to exceed \$55 per hour (\$82.50 per hour for after-hours Installation), which applies to services totaling \$150,000 (per SIN) and below only. Services above \$150,000 shall be negotiated on a case-by-case basis.

Additional Notes for Installation & Reconfiguration and Relocation Services:

FOB Destination (Drop Ship): Price includes product delivery to the site, brought to the tailgate of the truck. The purchaser is responsible for unloading.

Prices effective up to the maximum order by SIN only. Above the MO, pricing shall be negotiated on a case-by-case basis between the client and local dealer.

Standard Services are Subject to the Following Conditions:

Installation will be performed during normal weekday working hours.

Adequate facilities for delivery, unloading, moving and staging/storing the product during the installation process shall be provided.

Service work will not be hindered by other trades.

Electric, heat, and adequate elevator service will be furnished without charge.

The immediate installation area shall be complete and free of debris including the carpet/flooring before installation commences.

Any work requiring a licensed electrician is the responsibility of the buyer.

Additional Charges May Apply For:

Major Metro Markets and any non-ground floor installation.

Major Metro Markets include large population centers and urban environments.

Installation in a clinical/medical environment.

Special restrictions or limits established by local laws, ordinances or the directions of the buyer, including but not limited to restrictions on transportations of materials, street access to the job site and/or dock facilities.

Installations outside of a 50 mile radius of the servicing dealer.

Local Prevailing Wage and/or Union Labor Rates.

Any additional charges shall be quoted by the dealer and approved by the buyer prior to performance of the work.

## 20. Terms and Conditions of Repair Parts

Not applicable

## 21. Service and Distribution Points

For service and distribution points nearest you, call (800) 851 1196.

## 22. Participating Dealers

Access Herman Miller web site for current list of participating dealers: [www.HermanMiller.com/government](http://www.HermanMiller.com/government).

## 23. Preventive Maintenance

Not applicable

## 24a. Special Attributes.

2018

For the 11th consecutive year, Herman Miller received a perfect score on the Corporate Equality Index and we were designated as Best Place to Work for LGBT equality. This report evaluates U.S. companies in terms of diversity, particularly their LGBT-related policies and practices.

# Contract Information

*continued*

2017

Herman Miller was named the 2017 “Corporation of the Year” in the consumer products sector by the Michigan Minority Supplier Development Council (MMSDC).

Herman Miller has received a 2017 SEAL (Sustainability, Environmental Achievement and Leadership) Business Sustainability Award.

Herman Miller has earned the 4 Star Diversity Visionary Award. This award celebrates the diversity, equality, and inclusion work of Herman Miller. The award is presented at the annual Diversity Equity Inclusion Summit, held by the Grand Rapids Area Chamber of Commerce.

Herman Miller named one of the Best and Brightest in Wellness for the fifth year in a row.

Working Mother magazine has recognized Herman Miller as one of the 2017 Working Mother 100 Best Companies.

Herman Miller earned our tenth consecutive perfect score in Human Rights Campaign (HRC) Foundation’s 2017 Corporate Equality Index.

As one of the top-scoring companies in our industry for the thirteenth consecutive year, Herman Miller has qualified for inclusion in RobecoSAM’s 2017 Sustainability Yearbook and received the Bronze Class distinction for our excellent economic, environmental, and social sustainability performance.

Herman Miller has once again earned the WorldatWork Seal of Distinction, a unique standard of excellence in work-life effectiveness that shows we provide a distinct, mutually beneficial workplace experience.

2016

Herman Miller was recognized as the Business of the Year at the Annual Meeting of the West Michigan Environmental Action Council (WMEAC). This award goes to the business with the greatest depth and breadth of support, unwavering dedication to environmental action in West Michigan, and a strong corporate commitment to environmental advocacy.

The 101 Best and Brightest Sustainable Companies once again (fifth consecutive year) recognized Herman Miller as an organization in Michigan (and for the first time, in the nation) that exhibits leadership and innovation in its approach to sustainability.

Herman Miller has been recognized by the Michigan Minority Supplier Development Council (MMSDC), as a “Corporation of the Year”, and we also received a “2016 Excellence in Supplier Diversity Award” from the Great Lakes Women’s Business Council. Additionally, we are the only West Michigan company this year to receive an “Ambassadors Championing Excellence” Award from the MMSDC.

Plex Lounge Furniture from Herman Miller receives #MetropolisLikes award at NeoCon 2016.

Plex Lounge Furniture from Herman Miller receives Interior Design HiP Award for Workplace Seating/Lounge at NeoCon 2016.

Spot Stools from Herman Miller Collection receive Interior Design HiP Award for Hospitality Seating at NeoCon 2016.

Herman Miller has been named a 2020 Women on Boards Winning Company. Companies selected for this recognition are considered champions of board diversity as 20 percent or more of their board seats are occupied by women.

Herman Miller selected for inclusion in the 2016 RobecoSAM Sustainability Yearbook for twelfth consecutive year.

Herman Miller again earns the WorldatWork Work-Life 2016 Seal of Distinction. This award identifies organizations that focus on programs that promote work-life balance and overall well-being.

2015

Herman Miller earns ninth consecutive perfect score in Human Rights Campaign (HRC) Foundation’s 2016 Corporate Equality Index and we were designated as Best Place to Work for LGBT equality.

This is the fourth consecutive year that Herman Miller was named one of Michigan’s Best and Brightest Sustainable Companies.

Herman Miller has received the Best and Brightest in Wellness Award for the third year in a row. This program is an innovative initiative that recognizes and celebrates quality and excellence in health awareness.

Herman Miller received the Forest Stewardship Council (FSC) Leadership Award for longstanding commitment to manufacturing with wood sourced from responsibly managed forests, which reduces environmental impacts by protecting against deforestation and forest degradation.

Herman Miller accepted its second Excellence in Reusable Packaging Award from the Reusable Packaging Association.

Herman Miller has once again been recognized for its commitment to best-in-class economic, environmental, and societal sustainability, earning a spot on the prestigious Dow Jones Sustainability Index (DJSI) for the twelfth consecutive year. We are the only contract furniture company recognized globally for its corporate sustainability leadership.

Herman Miller selected for inclusion in the 2015 RobecoSAM Sustainability Yearbook; awarded Bronze Class distinction for excellent sustainability performance for the second consecutive year.

# Contract Information

*continued*

Herman Miller received a Michigan Business Pollution Prevention (MBP<sub>3</sub>) Certificate – a recognition given by the Michigan Department of Environmental Quality (MDEQ) to organizations committed to environmental stewardship, conservation, and sustainable operations. This basic partnership with the MDEQ, which we've maintained since 1998, makes us eligible for our Clean Corporate Citizen (CCC) status that began in 2004 and our Environmental Leader status, which we received for the first time this past year.

MedAssets named Herman Miller Healthcare as Platinum Suppliers. MedAssets, a large group purchasing organization, helps providers enhance operational and financial performance so they can sustainably serve the needs of their community.

Herman Miller honored with five of 20 spots for the Michigan Environmental Leaders Award by the Michigan Department of Environmental Quality for our outstanding, voluntary environmental stewardship.

Renew Sit-to-Stand tables recognized on Record Products 2014 list by Architectural Record.

Herman Miller was again awarded a perfect score in the 2015 Corporate Equality Index. This is the eighth consecutive year we received a perfect score.

2014

Herman Miller has received the Best and Brightest in Wellness Award for the second year in a row. This program is an innovative initiative that recognizes and celebrates quality and excellence in health awareness.

Herman Miller's Locale wins International Design Excellence Awards (IDEA) Gold in the Office & Productivity category.

Herman Miller achieves eleventh consecutive listing on Dow Jones Sustainability World Index, an international stock portfolio that evaluates the annual performance of the world's largest 2500 companies using economic, environmental, and social criteria, known as the "triple bottom line" of sustainability.

2013

Herman Miller achieves tenth consecutive listing on Dow Jones Sustainability World Index.

Herman Miller has received the Best and Brightest in Wellness Award. This program is an innovative initiative that recognizes and celebrates quality and excellence in health awareness.

Herman Miller Earns Perfect Score on the Corporate Equality Index. We are one of only 303 major U.S. businesses to receive a perfect score in 2013, an achievement we have now obtained seven years in a row.

Herman Miller is listed in Forbes Magazine inaugural "Platinum List" of America's 400 best managed, large companies.

For the second consecutive year, Herman Miller is honored as one of West Michigan's "101 Best and Brightest Sustainable Companies".

2012

Herman Miller accepted its first Excellence in Reusable Packaging Award from the Reusable Packaging Association.

Herman Miller is named "Corporation of the Year" in the commercial products sector by the Michigan Minority Supplier Development Council.

In July 2012 Herman Miller was inducted into the Made in the USA Hall of Fame. Herman Miller is one of only 20 companies across the nation to receive this distinction.

Herman Miller achieves ninth consecutive listing on Dow Jones Sustainability World Index.

Herman Miller is honored as one of West Michigan's 101 Best and Brightest Sustainable Companies.

The Sustainable Asset Management (SAM) group selected Herman Miller for inclusion in "The Sustainability Yearbook 2012" and has awarded Herman Miller both the "SAM Sector Leader" and "SAM Sector Mover" distinctions.

Herman Miller was named one of 16 Section Leaders on Climate Counts 2011-2012 Scorecard Report, making us the industry leader for Home and office Furnishings.

SGS International Certification Services, Inc., recognizes Herman Miller's manufacturing sites, Midwest Distribution Center, and Design Yard for initial certification to the OHSAS 18001 standard as well as re-certification to ISO 14001.

2011

Trust Across America, a company dedicated to unraveling the complexities of trustworthy business behavior, listed Herman Miller as one of their "Top Ten Most Trustworthy Companies in America 2011."

The U.S. Environmental Protection Agency (EPA) selected Herman Miller, as a WasteWise Gold Achievement—Climate Change winner.

Herman Miller achieves eighth consecutive listing on Dow Jones Sustainability World Index, an international stock portfolio that evaluates the annual performance of the world's largest 2500 companies using economic, environmental, and social criteria, known as the "triple bottom line" of sustainability.

The Michigan Minority Supplier Development Council (MMSDC) named Herman Miller as its "Corporation of the Year" in the commercial products sector. This was the fifth time Herman Miller has received this award since 2005.



# Contract Information

*continued*

Herman Miller accepted its third Neighborhood Environmental Partners (NEP) award from the Michigan Department of Natural Resources and Environment.

Herman Miller receives the Reader's Choice award from TreeHugger's Best of Green: Design and Architecture category for the SAYL chair.

Herman Miller earns Citibank's Global Environmental Vendor of the Year award.

The SAYL chair from Herman Miller was dubbed the "Product Design of the Year" from the 2010 International Design Awards (IDA) jury.

Herman Miller Healthcare's Compass system was awarded a 2011 Medical Design Excellence Award (MDEA) for its research-based design and ability to be used in a variety of healing spaces, while simultaneously improving the overall delivery of healthcare.

The Sustainable Asset Management (SAM) Group selected Herman Miller for inclusion in the "Sustainability Yearbook 2011" and awarded us both the "SAM Sector Leader" and "SAM Sector Mover" distinctions.

Herman Miller has received the top rating for a fourth consecutive year in the Human Rights Campaign (HRC) Foundation's eighth annual Corporate Equality Index. The "Best Places to Work for LGBT Equality" distinction is awarded to businesses that scored 100% on the HRC Foundation's 2011 Corporate Equality Index.

Herman Miller again tops contract furniture industry in FORTUNE's "Most Admired" Companies survey. For the 23rd time in 25 years.

2010

The NASDAQ OMX CRD Global Sustainability Index (QCRD) has included Herman Miller among their top 100 companies in the world.

Herman Miller achieves seventh consecutive listing on Dow Jones Sustainability World Index, an international stock portfolio that evaluates the annual performance of the world's largest 2500 companies using economic, environmental, and social criteria, known as the "triple bottom line" of sustainability. Herman Miller is one of approximately 300 companies worldwide and the only contract office furniture manufacturer, selected for this index.

Herman Miller has been recognized by Fast Company magazine as one of its 2010 Most Innovative Companies and among the more select Innovation All-Stars.

The U.S. Environmental Protection Agency's Office of Resource Conservation and Recovery has selected Herman Miller to receive the 2010 WasteWise Gold Achievement Award for Green Purchasing.

The Michigan Department of Natural Resources and Environment (MDNRE) has recognized Herman Miller's West Michigan manufacturing sites and Midwest Distribution Center as continuing Clean Corporate Citizens.

Herman Miller makes the U.S. Environmental Protection Agency's (EPA) list of the top fifty users of renewable electricity, of more than 1,200 organizations participating in the Green Power Partnership. This is the second consecutive time Herman Miller was recognized. Herman Miller was the only furniture manufacturer on the list.

Herman Miller accepted its second Neighborhood Environmental Partners (NEP) award from the Michigan Department of Natural Resources and Environment.

For the 22nd time in 24 years, Herman Miller was awarded the No. 1 industry ranking in a survey among the executives and board members of peer companies and independent industry analysts, as published in FORTUNE magazine's annual "Most Admired" companies feature.

The Michigan Department of Environmental Quality (MDEQ) recognizes Herman Miller's GreenHouse as one of Michigan's top environmental performers with a Clean Corporate Citizen (C3) longevity award. This recognizes that the GreenHouse has maintained its C3 designation for the past five years.

For the third year in a row, Herman Miller makes FORTUNE magazine's "100 Best Companies to Work For" list. Herman Miller is one of only three Michigan-based companies to make the list.

## **24b. Section 508 Compliance**

Not applicable

## **25. Data Universal Numbering System (DUNS): 00-601-2801**

## **26. Registered in System for Award Management (www.SAM.gov) Database**

## **27. Cancellation**

Prior to production, no cancellation charge will apply. After production, only actual cost incurred that the contractor can demonstrate if items are sold after 3 months.

## **28. Restocking Charges**

Agencies must notify the contractor for authorization prior to returning any items. The customer agency will be required to pay all packaging and return freight charges. A restocking fee of 50% for Systems Furniture and 35% for all other product lines will be charged for any returned items.

## **Herman Miller Miscellaneous Information:**

Federal ID Number: 38-0837640

Commercial and Government Entity Code (CAGE): 40636

Data Universal Numbering System (DUNS) 00-601-2801

Commercial Entity Code (CEC): 00702290J



<b>Introduction</b>	<b>page 2</b>
<b>New Aeron® Chairs</b>	<b>3</b>
Work Chair	5
Work Chair, Ready to Assemble	10
Work Stool	14
Accessories	18
<b>Indices</b>	<b>25</b>
By Name	25
By Number	27
<b>Appendices</b>	
20-Day or Less/Assigned Lead-Time Order Information	
Size/Fit Reference	
Casters and Glides	
Fire Retardancy-Seating	
Customer's Own Material/Customer's Own Leather Order Information-Seating	
Proprietary Textiles Application Chart-Seating	
Proprietary Textile Colors-Seating	
<b>For the latest materials information, refer to the Materials pages on HermanMiller.com.</b>	

# Introduction

## A Note on the Organization of This Book

There are a few signals that will help you understand the organization of this book. Once you know them, you should be able to find your way around easily.

### Like a newspaper, this book is formatted with columns of text and illustrations that run vertically.

Information wraps from one column to the next and continues for as many pages as it needs to.

### Black bars are clues.

A black bar at the top of a page signals the start of information about a product.

This information is divided into two sections, each signaled by a black bar. Product Information includes a description, additional notes, and dimensional drawings. Specification Information, which always begins at the top of a column, includes a series of steps. Each step represents a decision you need to make in order to complete your product number. Steps must be followed sequentially. The number of pages needed to complete information on a product varies; some will be complete in one page; others may fill three or four pages. Just continue going through the steps until you run into the next product, signaled by the black bar at the top of the page.

Black tabs running along the outside edge of the page help you locate what section you are in or what section you want to go to. You can thumb forwards or backwards to find a section; tabs and text appear on both sides of the page.

The additional pages in the back of the book include the appendices and indices. They are signaled by a long black bar running along the outside edge of the page.

### The index is presented two ways.

The first index is in alphabetical order by product name. It can be helpful if you are new to the products and numbering scheme or if you are looking for a type of product, such as work chair or round table.

The second index is by product number. It lists, in alphanumeric order, the base product number, typically a five-digit number.

## General Information

This book is effective April 2, 2018, subject to change without notice. Products may be purchased from authorized Herman Miller dealers who will quote prices upon request. For more information about our products and services or to see a list of dealers, visit [www.HermanMiller.com](http://www.HermanMiller.com).


All prices are list prices. Additional services, such as planning services, design, storage, and installation, are not included and must be added to these prices when the additional services are requested.


Illustrations, specifications, and prices are based on the latest information at the time of publication. The right is reserved to make changes at any time without notice in prices, fabrics, finishes, materials, specifications, and models, and also to discontinue models and finishes.

Dimensions shown in the drawings are engineering drawing dimensions rounded up to the nearest  $\frac{1}{8}$ ". Product is shipped set up or knocked down. Products that include "Shipped knocked down" in the description require some assembly. If this statement does not appear in the description, the product is shipped assembled.

Service problems are normally handled by a Herman Miller authorized dealer. Where this cannot be accomplished on a local level, service problems should be referred to the Customer Care Representative for your region, Herman Miller, Inc., Zeeland, Michigan 49464.

### 20-Day or Less/Assigned Lead-Time Shipments

All products and options in this price book not designated by an Assigned Program icon  will ship in **20 business days or less** after being acknowledged by Herman Miller.

Products and options designated by an  are on the assigned lead-time program and may ship in 20 days, less than 20 days, or more than 20 days from order acknowledgement.

**Work Chairs**

**Stools**

**Accessories**





## Work Chair

AER1A  
AER1B  
AER1C



### Product Information

#### Description

While its iconic form has remained largely unchanged, the Aeron® chair has been remastered from the casters up to meet the needs of today's work and workers. With the help of original co-designer, Don Chadwick, we thoughtfully updated the chair based on the latest research around the science of sitting, and advancements in materials, manufacturing, and technology.

The new Aeron chair comes in 3 sizes and has a new 8Z Pellicle® material that delivers increased comfort and ergonomic support. Across the seat and back, 8 latitudinal zones of varying tension envelope the sitter, tightest at the edges and more forgiving where the body makes contact. The chair has pneumatic height adjustment and a balanced recline that lets the body naturally pivot at the ankles, knees, and hips. Tilt options include a tilt limiter that allows the user to select the tilt range to limit the amount of recline; a tilt limiter and seat angle that allows the user to select the tilt range and a horizontal or 5° forward seat angle; or a standard tilt.

Back-support options include adjustable PostureFit® SL, an adjustable lumbar support, and PostureFit. The adjustable PostureFit SL support provides a custom fit in sacral and lumbar regions of the spine that helps achieve healthier posture and improved lower back comfort. The user can fine tune the level of support with an adjustable knob on the PostureFit SL.

Arm choices include a fixed, nonadjustable option; a height-adjustable option that moves the arms 4" vertically; a height-adjustable plus pivot option that moves the arms 4" vertically and pivots the armpads 15° outward and 17½° inward; and a fully adjustable option that also allows the armpads to move forward and back.

Aeron is now offered in a range of 3 tightly curated, holistic material expressions: graphite, carbon, and mineral. Graphite refines Aeron's original color scheme for a crisp, sculptural appearance. Carbon blurs light and dark, and warm and cool, to harmonize with a variety of environments. Mineral illuminates Aeron's finer points to offer a lightness that borders on translucence.

The graphite with graphite applique (ZB) frame finish includes appliques that are applied to an Aeron® work chair's seat, back, and arms to minimize the effect of contact between the chair and a wood-edge surface.

#### Notes

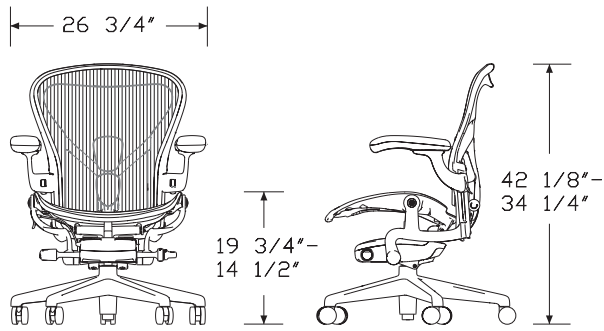
To help determine chair size, see Aeron Chair Size/Fit Reference in Appendices. B- and C-size chairs are tested and warranted for use by persons 350 pounds and under. A-size chairs are tested and warranted for use by persons 300 pounds and under.

For information on casters and glides, see Casters and Glides in Appendices.

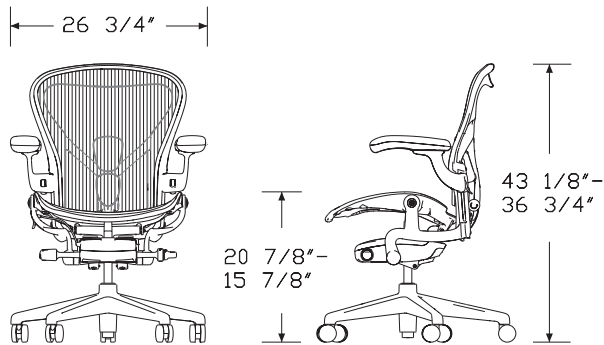
Customer's Own Leather (COL) can be applied to armpads; requires 4 square feet. See Order Information in Appendices.

As with any material or textile, dye transfer may occur on seating surfaces, being more noticeable on lighter color expressions (for example: mineral on Aeron, fog on Mirra® 2). If this is a concern, we recommend selecting a darker color expression on which dye transfer will be less noticeable. As a reminder, dye transfer is not covered under the Herman Miller warranty.

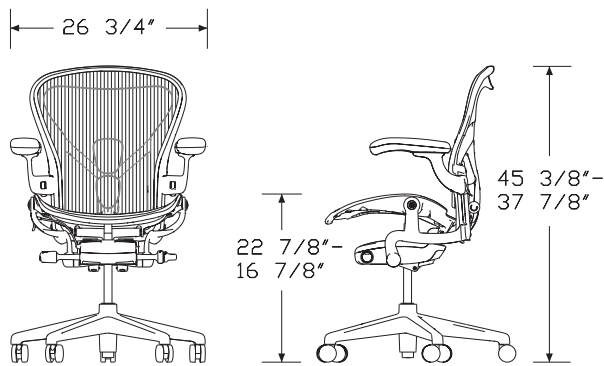
**Dimensions**



Low Height Range



Standard Height Range



High Height Range

**Specification Information**

Step 1.

**AER1**

Step 2. Size

- A** a size
- B** b size
- C** c size

Step 3. Height Adjustment

*For a size (A)*

- 1** low-height range

*For b size (B)*

- 1** low-height range
- 2** standard-height range
- 3** high-height range

*For c size (C)*

- 2** standard-height range
- 3** high-height range

Step 4. Tilt

- 1** standard tilt
- 2** tilt limiter
- 3** tilt limiter and seat angle

Step 5. Arms

- N** no arms
- P** fixed arms
- H** height-adjustable arms
- A** height-adjustable plus pivot arms
- D** fully adjustable arms

Step 6. Armpad Upholstery

*For no arms (N)*

- N** no arms

*For fixed arms (P), height-adjustable arms (H), height-adjustable plus pivot arms (A), or fully adjustable arms (D)*

- W** nonupholstered armpads
- F** leather armpads



Step 7. Fire Retardancy  
 For not fire retardant (\*), skip this step.

For a size (A) or b size (B)

FR fire retardant

For c size (C)

FR fire retardant

Prices for Steps 1-7.

			NN*	NNFR	NF*	PW*	PWFR	PF*
AER1A	1	1	\$1072	1072	—	1211	1211	1286
		2	\$1135	1135	—	1274	1274	1349
		3	\$1206	1206	—	1345	1345	1420

			PFFR	HW*	HWFR	HF*	HFFR	AW*
AER1A	1	1	\$1286	1280	1280	1355	1355	1360
		2	\$1349	1343	1343	1418	1418	1423
		3	\$1420	1414	1414	1489	1489	1494

			AWFR	AF*	AFFR	DW*	DWFR	DF*
AER1A	1	1	\$1360	1435	1435	1380	1380	1455
		2	\$1423	1498	1498	1443	1443	1518
		3	\$1494	1569	1569	1514	1514	1589

							DFFR
AER1A	1	1					\$1455
		2					\$1518
		3					\$1589

			NN*	NNFR	NF*	PW*	PWFR	PF*
AER1B	1	1	\$1072	1072	—	1211	1211	1286
		2	\$1135	1135	—	1274	1274	1349
		3	\$1206	1206	—	1345	1345	1420

		2	\$1072	1072	—	1211	1211	1286
		2	\$1135	1135	—	1274	1274	1349
		3	\$1206	1206	—	1345	1345	1420

		3	\$1072	1072	—	1211	1211	1286
		2	\$1135	1135	—	1274	1274	1349
		3	\$1206	1206	—	1345	1345	1420

			PFFR	HW*	HWFR	HF*	HFFR	AW*
AER1B	1	1	\$1286	1280	1280	1355	1355	1360
		2	\$1349	1343	1343	1418	1418	1423
		3	\$1420	1414	1414	1489	1489	1494

		2	\$1286	1280	1280	1355	1355	1360
		2	\$1349	1343	1343	1418	1418	1423
		3	\$1420	1414	1414	1489	1489	1494
		3	\$1286	1280	1280	1355	1355	1360
		2	\$1349	1343	1343	1418	1418	1423
		3	\$1420	1414	1414	1489	1489	1494

			AWFR	AF*	AFFR	DW*	DWFR	DF*
AER1B	1	1	\$1360	1435	1435	1380	1380	1455
		2	\$1423	1498	1498	1443	1443	1518
		3	\$1494	1569	1569	1514	1514	1589

		2	\$1360	1435	1435	1380	1380	1455
		2	\$1423	1498	1498	1443	1443	1518
		3	\$1494	1569	1569	1514	1514	1589

		3	\$1360	1435	1435	1380	1380	1455
		2	\$1423	1498	1498	1443	1443	1518
		3	\$1494	1569	1569	1514	1514	1589

							DFFR
AER1B	1	1					\$1455
		2					\$1518
		3					\$1589

		2					\$1455
		2					\$1518
		3					\$1589

		3					\$1455
		2					\$1518
		3					\$1589

			NN*	NNFR	NF*	PW*	PWFR	PF*
AER1C	2	1	\$1072	1072	—	1211	1211	1286
		2	\$1135	1135	—	1274	1274	1349
		3	\$1206	1206	—	1345	1345	1420

		3	\$1072	1072	—	1211	1211	1286
		2	\$1135	1135	—	1274	1274	1349
		3	\$1206	1206	—	1345	1345	1420

			PFFR	HW*	HWFR	HF*	HFFR	AW*
AER1C	2	1	\$1286	1280	1280	1355	1355	1360
		2	\$1349	1343	1343	1418	1418	1423
		3	\$1420	1414	1414	1489	1489	1494

		3	\$1286	1280	1280	1355	1355	1360
		2	\$1349	1343	1343	1418	1418	1423
		3	\$1420	1414	1414	1489	1489	1494

			AWFR	AF*	AFFR	DW*	DWFR	DF*
AER1C	2	1	\$1360	1435	1435	1380	1380	1455
		2	\$1423	1498	1498	1443	1443	1518
		3	\$1494	1569	1569	1514	1514	1589
3	1	1	\$1360	1435	1435	1380	1380	1455
		2	\$1423	1498	1498	1443	1443	1518
		3	\$1494	1569	1569	1514	1514	1589

				DFFR
AER1C	2	1		\$1455
		2		\$1518
		3		\$1589
3	1	1		\$1455
		2		\$1518
		3		\$1589

Step 8. Back Support Option			
SZS	basic back support		-\$45
ZSS	PostureFit®		+\$0
AJ	adjustable lumbar support		+\$20
ALP	adjustable posturefit SL		+\$50

Step 9. Frame Finish			
<i>For not fire retardant</i>			
G1	graphite		+\$0
CRB	carbon		+\$85
VPR	mineral		+\$250
ZB	graphite with graphite applique		+\$325

<i>For fire retardant (FR)</i>			
G1	graphite		+\$0

Step 10. Chassis Finish			
<i>For not fire retardant or fire retardant (FR) with graphite (G1)</i>			
G1	graphite		+\$0
CD	polished aluminum [A]		+\$75

<i>For not fire retardant with graphite with graphite applique (ZB)</i>			
G1	graphite		+\$0

<i>For not fire retardant with carbon (CRB)</i>			
SNC	satin carbon		+\$0
CD	polished aluminum [A]		+\$75

<i>For not fire retardant with mineral (VPR)</i>		
SNA	satin aluminum	+\$0
CD	polished aluminum [A]	+\$75

Step 11. Base Finish		
<i>For not fire retardant or fire retardant (FR) with graphite (G1)</i>		
G1	graphite	+\$0
CD	polished aluminum [A]	+\$225

<i>For not fire retardant with graphite (G1)</i>		
G1	graphite	+\$0

<i>For polished aluminum (CD)</i>		
CD	polished aluminum [A]	+\$225

<i>For not fire retardant with satin carbon (SNC)</i>		
DCR	dark carbon	+\$0
SNC	satin carbon	+\$80
CD	polished aluminum [A]	+\$225

<i>For not fire retardant with satin aluminum (SNA)</i>		
DVP	dark mineral	+\$0
SNA	satin aluminum	+\$150
CD	polished aluminum [A]	+\$225

Step 12. Casters/Glides		
<i>For polished aluminum (CD), graphite (G1), dark carbon (DCR), dark mineral (DVP), satin aluminum (SNA), or satin carbon (SNC)</i>		
BB	2 1/2" hard caster, black yoke, carpet only	+\$0
GF	2 1/2" glide, hard floors or carpet	+\$0
C7	2 1/2" caster, black yoke, hard floors or carpet	+\$40
DC1	2 1/2" braking caster, black yoke, hard floors or carpet with quiet roll technology	+\$60

Step 13. Armpad Finish		
<i>For nonupholstered armpads (W) with not fire retardant, or fire retardant (FR) with graphite (G1), or graphite with graphite applique (ZB)</i>		
BK	black	+\$0

<i>For nonupholstered armpads (W) with not fire retardant with mineral (VPR)</i>		
DVP	dark mineral	+\$0

## Work Chair *continued*

---

*For nonupholstered arm pads (W) with not fire retardant with carbon (CRB)*

**DCR** dark carbon +\$0

---

Step 14. 8Z Pellicle

Price Category 1 +\$0

---

Step 15. Armpad Leather

*For leather arm pads (F)*

Price Category 7  A +\$0

Price Category 9 +\$75

## Work Chair, Ready to Assemble

AER2A  
AER2B



New Aeron® Work Chairs

### Product Information

#### Description

While its iconic form has remained largely unchanged, the Aeron® chair has been remastered from the casters up to meet the needs of today's work and workers. With the help of original co-designer, Don Chadwick, we thoughtfully updated the chair based on the latest research around the science of sitting, and advancements in materials, manufacturing, and technology.

The new Aeron chair comes in 3 sizes and has a new 8Z Pellicle® material that delivers increased comfort and ergonomic support. Across the seat and back, 8 latitudinal zones of varying tension envelope the sitter, tightest at the edges and more forgiving where the body makes contact. The chair has pneumatic height adjustment and a balanced recline that lets the body naturally pivot at the ankles, knees, and hips. Chair components are packaged and shipped ready to assemble.

Tilt options include a tilt limiter that allows the user to select the tilt range to limit the amount of recline; a tilt limiter and seat angle that allows the user to select the tilt range and a horizontal or 5° forward seat angle; or a standard tilt.

Back-support options include adjustable PostureFit® SL, an adjustable lumbar support, and PostureFit. The adjustable PostureFit SL support provides a custom fit in sacral and lumbar regions of the spine that helps achieve healthier posture and improved lower back comfort. The user can fine tune the level of support with an adjustable knob on the PostureFit SL.

Arm choices include a fixed, nonadjustable option; a height-adjustable option that moves the arms 4" vertically; a height-adjustable plus pivot option that moves the arms 4" vertically and pivots the armpads 15° outward and 17½° inward; and a fully adjustable option that also allows the armpads to move forward and back.

Aeron is now offered in a range of 3 tightly curated, holistic material expressions: graphite, carbon, and mineral. Graphite refines Aeron's original color scheme for a crisp, sculptural appearance. Carbon blurs light and dark, and warm and cool, to harmonize with a variety of environments. Mineral illuminates Aeron's finer points to offer a lightness that borders on translucence.

The graphite with graphite applique (ZB) frame finish includes appliques that are applied to an Aeron® work chair's seat, back, and arms to minimize the effect of contact between the chair and a wood-edge surface.

### Notes

To help determine chair size, see Aeron Chair Size/Fit Reference in Appendices. B- and C-size chairs are tested and warranted for use by persons 350 pounds and under. A-size chairs are tested and warranted for use by persons 300 pounds and under.

For information on casters and glides, see Casters and Glides in Appendices.

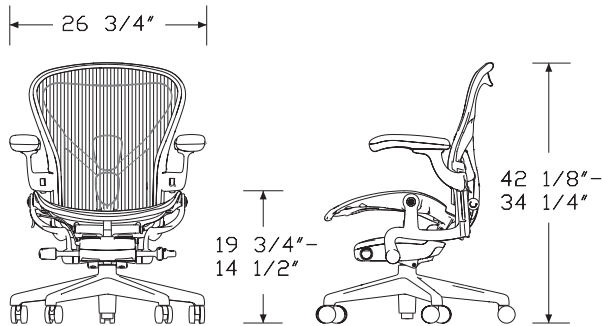
Customer's Own Leather (COL) can be applied to armpads; requires 4 square feet. See Order Information in Appendices.

Note: As with any material or textile, dye transfer may occur on seating surfaces, being more noticeable on lighter color expressions (for example: mineral on Aeron, fog on Mirra® 2). If this is a concern, we recommend selecting a darker color expression on which dye transfer will be less noticeable. As a reminder, dye transfer is not covered under the Herman Miller warranty.

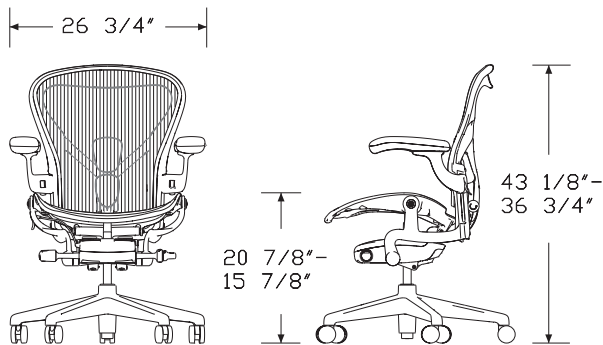
# Work Chair, Ready to Assemble

continued

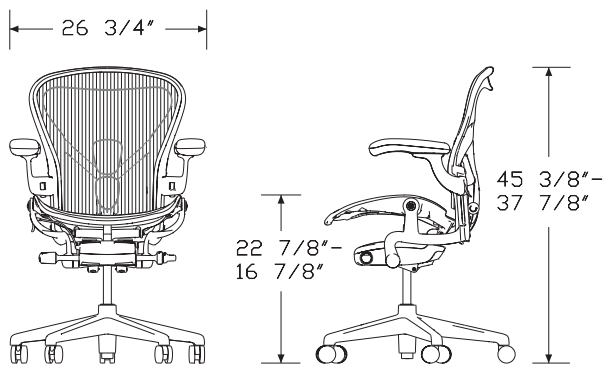
## Dimensions



Low Height Range



Standard Height Range



High Height Range

## Specification Information

Step 1.

**AER2**

Step 2. Size

- A** a size
- B** b size

Step 3. Height Adjustment

For a size (A)

- 1** low-height range

For b size (B)

- 1** low-height range
- 2** standard-height range
- 3** high-height range

Step 4. Tilt

- 1** standard tilt
- 2** tilt limiter
- 3** tilt limiter and seat angle

Step 5. Arms

- N** no arms
- P** fixed arms
- H** height-adjustable arms
- A** height-adjustable plus pivot arms
- D** fully adjustable arms

Step 6. Armpad Upholstery

For no arms (N)

- N** no arms

For fixed arms (P), height-adjustable arms (H), height-adjustable plus pivot arms (A), or fully adjustable arms (D)

- W** nonupholstered armpads
- F** leather armpads

Step 7. Fire Retardancy

For not fire retardant (\*), skip this step.

- FR** fire retardant

# Work Chair, Ready to Assemble

continued

New Aeron® Work Chairs

Prices for Steps 1-7.

		NN*	NNFR	NF*	PW*	PWFR	PF*
<b>AER2A</b>	<b>1 1</b>	\$1072	1072	—	1211	1211	1286
	<b>2</b>	\$1135	1135	—	1274	1274	1349
	<b>3</b>	\$1206	1206	—	1345	1345	1420

		PFFR	HW*	HWFR	HF*	HFFR	AW*
<b>AER2A</b>	<b>1 1</b>	\$1286	1280	1280	1355	1355	1360
	<b>2</b>	\$1349	1343	1343	1418	1418	1423
	<b>3</b>	\$1420	1414	1414	1489	1489	1494

		AWFR	AF*	AFFR	DW*	DWFR	DF*
<b>AER2A</b>	<b>1 1</b>	\$1360	1435	1435	1380	1380	1455
	<b>2</b>	\$1423	1498	1498	1443	1443	1518
	<b>3</b>	\$1494	1569	1569	1514	1514	1589

								DDFR
<b>AER2A</b>	<b>1 1</b>							\$1455
	<b>2</b>							\$1518
	<b>3</b>							\$1589

		NN*	NNFR	NF*	PW*	PWFR	PF*
<b>AER2B</b>	<b>1 1</b>	\$1072	1072	—	1211	1211	1286
	<b>2</b>	\$1135	1135	—	1274	1274	1349
	<b>3</b>	\$1206	1206	—	1345	1345	1420

<b>2</b>	<b>1</b>	\$1072	1072	—	1211	1211	1286
	<b>2</b>	\$1135	1135	—	1274	1274	1349
	<b>3</b>	\$1206	1206	—	1345	1345	1420
<b>3</b>	<b>1</b>	\$1206	1206	—	1345	1345	1420
	<b>2</b>	\$1206	1206	—	1345	1345	1420
	<b>3</b>	\$1206	1206	—	1345	1345	1420

		PFFR	HW*	HWFR	HF*	HFFR	AW*
<b>AER2B</b>	<b>1 1</b>	\$1286	1280	1280	1355	1355	1360
	<b>2</b>	\$1349	1343	1343	1418	1418	1423
	<b>3</b>	\$1420	1414	1414	1489	1489	1494

<b>2</b>	<b>1</b>	\$1286	1280	1280	1355	1355	1360
	<b>2</b>	\$1349	1343	1343	1418	1418	1423
	<b>3</b>	\$1420	1414	1414	1489	1489	1494
<b>3</b>	<b>1</b>	\$1420	1414	1414	1489	1489	1494
	<b>2</b>	\$1420	1414	1414	1489	1489	1494
	<b>3</b>	\$1420	1414	1414	1489	1489	1494

		AWFR	AF*	AFFR	DW*	DWFR	DF*
<b>AER2B</b>	<b>1 1</b>	\$1360	1435	1435	1380	1380	1455
	<b>2</b>	\$1423	1498	1498	1443	1443	1518
	<b>3</b>	\$1494	1569	1569	1514	1514	1589

<b>2</b>	<b>1</b>	\$1360	1435	1435	1380	1380	1455
	<b>2</b>	\$1423	1498	1498	1443	1443	1518
	<b>3</b>	\$1494	1569	1569	1514	1514	1589
<b>3</b>	<b>1</b>	\$1494	1569	1569	1514	1514	1589
	<b>2</b>	\$1494	1569	1569	1514	1514	1589
	<b>3</b>	\$1494	1569	1569	1514	1514	1589

								DDFR
<b>AER2B</b>	<b>1 1</b>							\$1455
	<b>2</b>							\$1518
	<b>3</b>							\$1589
<b>2</b>	<b>1</b>							\$1455
	<b>2</b>							\$1518
	<b>3</b>							\$1589
<b>3</b>	<b>1</b>							\$1589
	<b>2</b>							\$1589
	<b>3</b>							\$1589

Step 8. Back Support Option

<b>SZS</b>	basic back support	-\$45
<b>ZSS</b>	PostureFit®	+\$0
<b>AJ</b>	adjustable lumbar support	+\$20
<b>ALP</b>	adjustable posturefit SL	+\$50

Step 9. Frame Finish

For not fire retardant

<b>G1</b>	graphite	+\$0
<b>CRB</b>	carbon	+\$85
<b>VPR</b>	mineral	+\$250
<b>ZB</b>	graphite with graphite applique	+\$325

For fire retardant (FR)

<b>G1</b>	graphite	+\$0
-----------	----------	------

Step 10. Chassis Finish

For not fire retardant or fire retardant (FR) with graphite (G1)

<b>G1</b>	graphite	+\$0
<b>CD</b>	polished aluminum <span style="border: 1px solid black; padding: 0 2px;">A</span>	+\$75

For not fire retardant with graphite with graphite applique (ZB)

<b>G1</b>	graphite	+\$0
-----------	----------	------

For carbon (CRB)

<b>SNC</b>	satin carbon	+\$0
<b>CD</b>	polished aluminum <span style="border: 1px solid black; padding: 0 2px;">A</span>	+\$75

# Work Chair, Ready to Assemble

continued

<i>For mineral (VPR)</i>		
<b>SNA</b>	satin aluminum	+\$0
<b>CD</b>	polished aluminum <input type="checkbox"/> A	+\$75

## Step 11. Base Finish

<i>For not fire retardant or fire retardant (FR) with graphite (G1)</i>		
<b>G1</b>	graphite	+\$0
<b>CD</b>	polished aluminum <input type="checkbox"/> A	+\$225

<i>For not fire retardant with graphite (G1)</i>		
<b>G1</b>	graphite	+\$0

<i>For polished aluminum (CD)</i>		
<b>CD</b>	polished aluminum <input type="checkbox"/> A	+\$225

<i>For not fire retardant with satin carbon (SNC)</i>		
<b>DCR</b>	dark carbon	+\$0
<b>SNC</b>	satin carbon	+\$80
<b>CD</b>	polished aluminum <input type="checkbox"/> A	+\$225

<i>For not fire retardant with satin aluminum (SNA)</i>		
<b>DVP</b>	dark mineral	+\$0
<b>SNA</b>	satin aluminum	+\$150
<b>CD</b>	polished aluminum <input type="checkbox"/> A	+\$225

## Step 12. Casters/Glides

*For polished aluminum (CD), graphite (G1), dark carbon (DCR), dark mineral (DVP), satin aluminum (SNA), or satin carbon (SNC)*

<b>BB</b>	2½" hard caster, black yoke, carpet only	+\$0
<b>GF</b>	2½" glide, hard floors or carpet	+\$0
<b>C7</b>	2½" caster, black yoke, hard floors or carpet	+\$40
<b>DC1</b>	2½" braking caster, black yoke, hard floors or carpet with quiet roll technology	+\$60

## Step 13. Armpad Finish

*For nonupholstered armpads (W) with not fire retardant, or fire retardant (FR) with graphite (G1), or graphite with graphite applique (ZB)*

<b>BK</b>	black	+\$0
-----------	-------	------

*For nonupholstered armpads (W) with not fire retardant with mineral (VPR)*

<b>DVP</b>	dark mineral	+\$0
------------	--------------	------

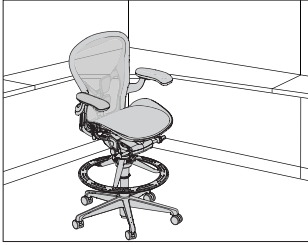
<i>For nonupholstered armpads (W) with not fire retardant with carbon (CRB)</i>		
<b>DCR</b>	dark carbon	+\$0

<i>Step 14. 8Z Pellicle</i>		
Price Category 2		+\$0

<i>Step 15. Armpad Leather</i>		
<i>For leather armpads (F)</i>		
Price Category 7 <input type="checkbox"/> A		+\$0
Price Category 9		+\$75

## Work Stool

AER71  
AER72



### Product Information

#### Description

While its iconic form has remained largely unchanged, the Aeron® chair and work stool has been remastered from the casters up to meet the needs of today's work and workers. With the help of original co-designer, Don Chadwick, we thoughtfully updated the chair and work stool based on the latest research around the science of sitting, and advancements in materials, manufacturing, and technology.

The new Aeron stool has a new 8Z Pellicle® material that delivers increased comfort and ergonomic support. Across the seat and back, 8 latitudinal zones of varying tension envelope the sitter, tightest at the edges and more forgiving where the body makes contact. The work stool has a 2½"-wide footrest platform that provides three times more surface area than a typical footring to reduce pressure and increase comfort. Non-slip treads offer added stability. When adjusting stool height, the footrest moves with the seat.

The stool has a 5-star base, pneumatic seat-height adjustment, and 2 height options to allow stool use with counter or bar height surfaces. The low stool has a seat-height range of 24¾" to 29¼" with a footrest that adjusts 2½" (from 15" to 17½" below the seat) and is optimal for work surfaces between 34" and 38" high. The high stool has a seat-height range of 28" to 34¼" with a footrest that adjusts 5¾" (from 15" to 20¾" below the seat) and is optimal for work surfaces between 37" and 43" high. Stool is available in size B.

Tilt options include a tilt limiter that allows the user to select the tilt range to limit the amount of recline; a tilt limiter and seat angle that allows the user to select the tilt range and a horizontal or 5° forward seat angle; or a standard tilt.

Back-support options include adjustable PostureFit® SL, an adjustable lumbar support, and PostureFit. The adjustable PostureFit SL support provides a custom fit in sacral and lumbar regions of the spine that helps achieve healthier posture and improved lower back comfort. The user can fine tune the level of support with an adjustable knob on the PostureFit SL.

Arm choices include a fixed, nonadjustable option; a height-adjustable option that moves the arms 4" vertically; a height-adjustable plus pivot option that moves the arms 4" vertically and pivots the armrests 15° outward and 17½° inward; and a fully adjustable option that also allows the armrests to move forward and back.

Aeron is now offered in a range of 3 tightly curated, holistic material expressions: graphite, carbon, and mineral. Graphite refines Aeron's original color scheme for a crisp, sculptural appearance. Carbon blurs light and dark, and warm and cool, to harmonize with a variety of environments. Mineral illuminates Aeron's finer points to offer a lightness that borders on translucence.

The graphite with graphite applique (ZB) frame finish includes appliques that are applied to an Aeron® work stool's seat, back, and arms to minimize the effect of contact between the stool and a wood-edge surface.

#### Notes

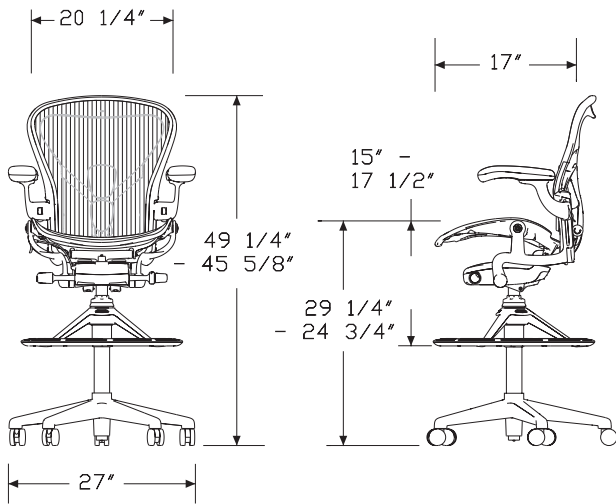
For information on casters and glides, see Casters and Glides in Appendices.

Customer's Own Leather (COL) can be applied to armrests; requires 4 square feet. See Order Information in Appendices.

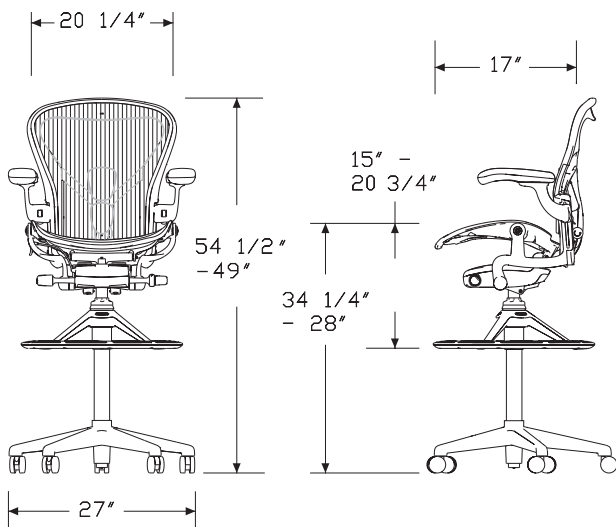
As with any material or textile, dye transfer may occur on seating surfaces, being more noticeable on lighter color expressions (for example: mineral on Aeron, fog on Mirra® 2). If this is a concern, we recommend selecting a darker color expression on which dye transfer will be less noticeable. As a reminder, dye transfer is not covered under the Herman Miller warranty.



**Dimensions**



Low Stool



High Stool

**Specification Information**

Step 1.

**AER7**

Step 2. Height

- 1 low
- 2 high

Step 3. Tilt

- 1 standard tilt
- 2 tilt limiter
- 3 tilt limiter and seat angle

Step 4. Arms

- N no arms
- P fixed arms
- H height-adjustable arms
- A height-adjustable plus pivot arms
- D fully adjustable arms

Step 5. Armpad Upholstery

*For no arms (N)*

- N no arms

*For fixed arms (P), height-adjustable arms (H), height-adjustable plus pivot arms (A), or fully adjustable arms (D)*

- W nonupholstered armpads
- F leather armpads

Step 6. Fire Retardancy

*For not fire retardant (\*), skip this step.*

- FR fire retardant

Prices for Steps 1-6.

			N*	NFR	W*	WFR	F*	FFR
AER71	1	N	\$1392	1392	—	—	—	—
		P	—	—	\$1531	1531	1606	1606
		H	—	—	\$1600	1600	1675	1675
		A	—	—	\$1680	1680	1755	1755
		D	—	—	\$1700	1700	1775	1775
2	N	N	\$1455	1455	—	—	—	—
		P	—	—	\$1594	1594	1669	1669
		H	—	—	\$1663	1663	1738	1738
		A	—	—	\$1743	1743	1818	1818
		D	—	—	\$1763	1763	1838	1838

	<b>3</b>	<b>N</b>	\$1526	1526	—	—	—	—
		<b>P</b>	—	—	\$1665	1665	1740	1740
		<b>H</b>	—	—	\$1734	1734	1809	1809
		<b>A</b>	—	—	\$1814	1814	1889	1889
		<b>D</b>	—	—	\$1834	1834	1909	1909
<b>AER72</b>	<b>1</b>	<b>N</b>	\$1392	1392	—	—	—	—
		<b>P</b>	—	—	\$1531	1531	1606	1606
		<b>H</b>	—	—	\$1600	1600	1675	1675
		<b>A</b>	—	—	\$1680	1680	1755	1755
		<b>D</b>	—	—	\$1700	1700	1775	1775
<b>2</b>	<b>N</b>	<b>N</b>	\$1455	1455	—	—	—	—
		<b>P</b>	—	—	\$1594	1594	1669	1669
		<b>H</b>	—	—	\$1663	1663	1738	1738
		<b>A</b>	—	—	\$1743	1743	1818	1818
		<b>D</b>	—	—	\$1763	1763	1838	1838
<b>3</b>	<b>N</b>	<b>N</b>	\$1526	1526	—	—	—	—
		<b>P</b>	—	—	\$1665	1665	1740	1740
		<b>H</b>	—	—	\$1734	1734	1809	1809
		<b>A</b>	—	—	\$1814	1814	1889	1889
		<b>D</b>	—	—	\$1834	1834	1909	1909

Step 7. Back Support Option		
<b>SZS</b>	basic back support	-\$45
<b>ZSS</b>	PostureFit®	+\$0
<b>AJ</b>	adjustable lumbar support	+\$20
<b>ALP</b>	adjustable posturefit SL	+\$50

Step 8. Frame/Foot Ring Tread		
<i>For not fire retardant</i>		
<b>G1</b>	graphite	+\$0
<b>CRB</b>	carbon	+\$85
<b>VPR</b>	mineral	+\$250
<b>ZB</b>	graphite with graphite applique	+\$325

<i>For fire retardant (FR)</i>		
<b>G1</b>	graphite	+\$0

Step 9. Chassis & Foot Ring

<i>For not fire retardant or fire retardant (FR) with graphite (G1)</i>		
<b>G1</b>	graphite	+\$0
<b>CD</b>	polished aluminum	+\$75

<i>For not fire retardant with graphite with graphite applique (ZB)</i>		
<b>G1</b>	graphite	+\$0

<i>For not fire retardant with carbon (CRB)</i>		
<b>SNC</b>	satin carbon	+\$0
<b>CD</b>	polished aluminum	+\$75

<i>For not fire retardant with mineral (VPR)</i>		
<b>SNA</b>	satin aluminum	+\$0
<b>CD</b>	polished aluminum	+\$75

Step 10. Base Finish

<i>For graphite (G1)</i>		
<b>G1</b>	graphite	+\$0
<b>CD</b>	polished aluminum	+\$225

<i>For polished aluminum (CD)</i>		
<b>CD</b>	polished aluminum <span style="border: 1px solid black; padding: 0 2px;">A</span>	+\$225

<i>For satin carbon (SNC)</i>		
<b>DCR</b>	dark carbon	+\$0
<b>SNC</b>	satin carbon	+\$80
<b>CD</b>	polished aluminum	+\$225

<i>For satin aluminum (SNA)</i>		
<b>DVP</b>	dark mineral	+\$0
<b>SNA</b>	satin aluminum	+\$150
<b>CD</b>	polished aluminum	+\$225

Step 11. Casters/Glides

<i>For polished aluminum (CD), dark carbon (DCR), dark mineral (DVP), graphite (G1), satin aluminum (SNA), or satin carbon (SNC)</i>		
<b>BB</b>	2½" hard caster, black yoke, carpet only	+\$0
<b>GF</b>	2½" glide, hard floors or carpet	+\$0
<b>C7</b>	2½" caster, black yoke, hard floors or carpet	+\$40
<b>DC1</b>	2½" braking caster, black yoke, hard floors or carpet with quiet roll technology	+\$60

Step 12. Armpad Finish

<i>For nonupholstered armpads (W) with not fire retardant, or fire retardant (FR) with graphite (G1), or graphite with graphite applique (ZB)</i>		
<b>BK</b>	black	+\$0

<i>For nonupholstered armpads (W) with not fire retardant with mineral (VPR)</i>		
<b>DVP</b>	dark mineral	+\$0

Work Stool *continued*

<i>For nonupholstered arm pads (W) with not fire retardant with carbon (CRB)</i>		
<b>DCR</b>	dark carbon	+\$0
<b>Step 13. 8Z Pellicle</b>		
	Price Category 1	+\$0
<b>Step 14. Armpad Leather</b>		
<i>For fixed arms (P), height-adjustable arms (H), height-adjustable plus pivot arms (A), or fully adjustable arms (D) with leather arm pads (F)</i>		
	Price Category 7	+\$0
	Price Category 9	+\$75



New Aeron® Accessories

**Product Information**

**Description**

These arms can be retrofitted to a new Aeron® work chair. Arm choices include a height adjustable option that moves the arms 4" vertically, a height adjustable plus pivot option that moves the arms 4" vertically and pivots the armpads 16° outward and 16° inward, and a fully adjustable option that moves the armpads forward and back 2½". Arm components are preassembled.

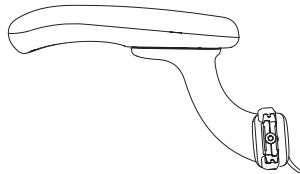
Graphite (G1) finish is recommended for use with the following frame finishes:

- Graphite (G1)
- Graphite with graphite applique (ZB)

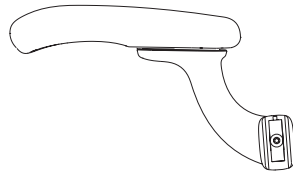
Carbon (CRB) finish is recommended for use with carbon (CRB) frame finish.

Mineral (VPR) finish is recommended for use with mineral (VPR) frame finish.

**Dimensions**



Height adjustable and fully adjustable arms



Fixed arms

**Specification Information**

Step 1.

**AER900** [A]

Step 2. Arms

- P** fixed arms
- H** height-adjustable arms
- A** height-adjustable plus pivot arms
- D** fully adjustable arms

Step 3. Armpad Upholstery

- W0** nonupholstered armpads
- F0** leather armpads

Prices for Steps 1-3.

	W0	F0
<b>AER900 P</b>	\$160	235
<b>H</b>	\$250	325
<b>A</b>	\$330	405
<b>D</b>	\$355	430

Step 4. Frame Finish

<b>G1</b> graphite [A]	+\$0
<b>CRB</b> carbon [A]	+\$12
<b>VPR</b> mineral [A]	+\$33
<b>ZB</b> graphite with graphite applique [A]	+\$56

Step 5. Chassis Finish

*For graphite (G1) or graphite with graphite applique (ZB)*

<b>G1</b> graphite [A]	+\$0
<b>CD</b> polished aluminum [A]	+\$100

*For carbon (CRB)*

<b>SNC</b> satin carbon [A]	+\$0
<b>CD</b> polished aluminum [A]	+\$100

*For mineral (VPR)*

<b>SNA</b> satin aluminum [A]	+\$0
<b>CD</b> polished aluminum [A]	+\$100

Step 6. Armpad Finish

*For nonupholstered armpads (W0) with graphite (G1), or graphite with graphite applique (ZB)*

<b>BK</b> black	+\$0
-----------------	------

Arm Kit *continued*

---

*For nonupholstered armpads (Wo) with carbon (CRB)*

<b>DCR</b>	dark carbon	+ \$0
------------	-------------	-------

---

*For nonupholstered armpads (Wo) with mineral (VPR)*

<b>DVP</b>	dark mineral <span style="border: 1px solid black; padding: 0 2px;">A</span>	+ \$0
------------	--	-------

<b>Step 7. Armpad Leather</b>		
<i>For leather armpads (Fo)</i>		
<i>See application chart and textiles list for fabric usage and numbers.</i>		
<i>First 2 digits of number indicate fabric line; remaining digit(s) indicate fabric color.</i>		
Price Category 7	<span style="border: 1px solid black; padding: 0 2px;">A</span>	+ \$0
Price Category 9		+ \$75

# Lumbar Kit

AER900NN



New Aeron® Accessories

## Product Information

### Description

This lumbar support fits into the back of a new Aeron® work chair to further support the back. The support can be adjusted up and down while providing support to the lumbar region of the spine.

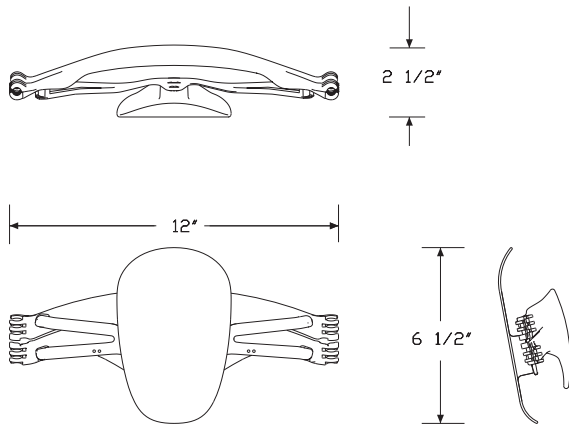
Graphite (G1) finish is recommended for use with the following frame finishes:

- Graphite (G1)
- Graphite with graphite applique (ZB)

Carbon (CRB) finish is recommended for use with carbon (CRB) frame finish.

Mineral (VPR) finish is recommended for use with mineral (VPR) frame finish.

## Dimensions



## Specification Information

### Step 1.

**AER900NN** A

### Step 2. Size

<b>A</b>	a size
<b>B</b>	b size
<b>C</b>	c size

### Prices for Steps 1-2.

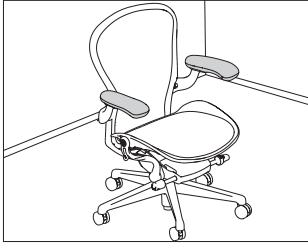
<b>AER900NN A</b>	\$85
<b>B</b>	\$85
<b>C</b>	\$85

### Step 3. Finish

<b>G1</b>	graphite <span style="border: 1px solid black; padding: 0 2px;">A</span>	+\$0
<b>CRB</b>	carbon <span style="border: 1px solid black; padding: 0 2px;">A</span>	+\$9
<b>VPR</b>	mineral <span style="border: 1px solid black; padding: 0 2px;">A</span>	+\$26

# Arm Pad Set

AER901



### Product Information

#### Description

These Aeron® arm pads are I-skin covered urethane foam molded over a nylon insert. They come in a choice of 3 colors. Arm pads can be retrofitted to a new Aeron work chair. Sold in pairs.

#### Notes

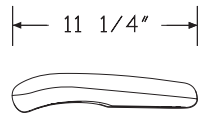
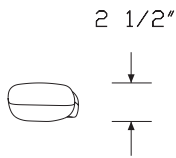
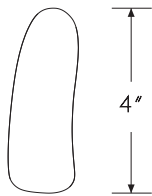
Black arm pads are recommended for Aeron chairs with a graphite (G1) frame.

Dark carbon arm pads are recommended for Aeron chairs with a carbon (CRB) frame.

Dark mineral arm pads are recommended for Aeron chairs with a mineral (VPR) frame.

Customer's Own Leather (COL) requires 4 square feet. See Order Information in Appendices.

#### Dimensions



### Specification Information

#### Step 1.

**AER901** A

#### Step 2. Armpad Upholstery

**W0** nonupholstered arm pads

**F0** leather arm pads

#### Prices for Steps 1-2.

<b>AER901 W0</b>	\$50
<b>F0</b>	\$125

#### Step 3. Armpad Finish

*For nonupholstered arm pads (W0)*

<b>BK</b> black	+\$0
<b>DCR</b> dark carbon	+\$10
<b>DVP</b> dark mineral	+\$15

#### Step 4. Armpad Leather

*For leather arm pads (F0)*

*See application chart and textiles list for fabric usage and numbers.*

*First 2 digits of number indicate fabric line; remaining digit(s) indicate fabric color.*

Price Category 7 <span style="border: 1px solid black; padding: 0 2px;">A</span>	+\$0
Price Category 9	+\$75

New Aeron® Accessories



New Aeron® Accessories

**Product Information**

**Description**

This PostureFit® support fits on the back of an A, B, or C size new Aeron® work chair. It provides support in the lower back area, or sacrum, that helps achieve healthier posture and improves lower back comfort.

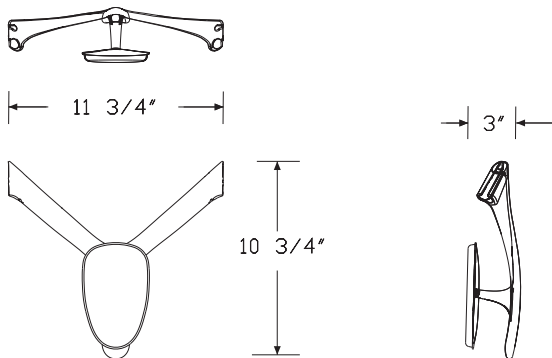
Graphite (G1) finish is recommended for use with the following frame finishes:

- Graphite (G1)
- Graphite with graphite applique (ZB)

Carbon (CRB) finish is recommended for use with carbon (CRB) frame finish.

Mineral (VPR) finish is recommended for use with mineral (VPR) frame finish.

**Dimensions**



**Specification Information**

**Step 1.**

**AER905**  A

**Step 2. Size**

- A** a size
- B** b size
- C** c size

**Prices for Steps 1-2.**

<b>AER905 A</b>	\$60
<b>B</b>	\$60
<b>C</b>	\$60

**Step 3. Finish**

<b>G1</b> graphite <input type="checkbox"/> A	+\$0
<b>CRB</b> carbon <input type="checkbox"/> A	+\$10
<b>VPR</b> mineral <input type="checkbox"/> A	+\$26





**Product Information**

**Description**

This adjustable PostureFit® SL support fits on the back of an A, B, or C size new Aeron® work chair. It provides custom, adjustable support in the lower back area, or sacrum, that helps achieve healthier posture and improves lower back comfort. Adjustable PostureFit SL also provides support in the lumbar region of the spine. User can adjust the level of support by dialing the support in or out. Adjustable PostureFit SL ships with the support and includes a new backrest. This requires an installer to modify the existing chair.

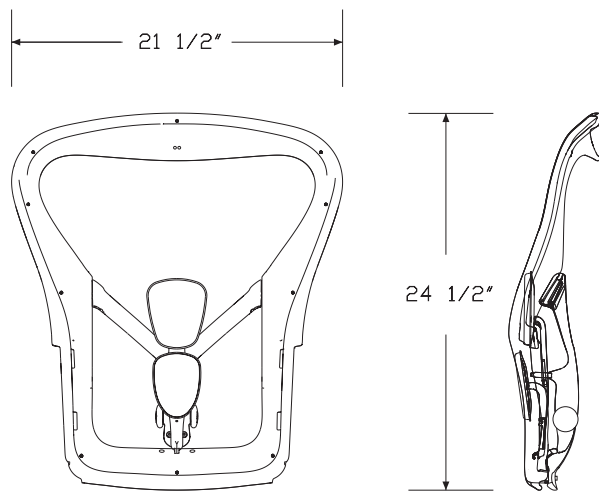
Graphite (G1) finish is recommended for use with the following frame finishes:

- Graphite (G1)
- Graphite with graphite applique (ZB)

Carbon (CRB) finish is recommended for use with carbon (CRB) frame finish.

Mineral (VPR) finish is recommended for use with mineral (VPR) frame finish.

**Dimensions**



**Specification Information**

**Step 1.**

**AER906** [A]

**Step 2. Size**

- A** a size
- B** b size
- C** c size

**Prices for Steps 1-2.**

<b>AER906 A</b>	\$275
<b>B</b>	\$275
<b>C</b>	\$275

**Step 3. Frame Finish**

<b>G1</b> graphite [A]	+\$0
<b>CRB</b> carbon [A]	+\$16
<b>VPR</b> mineral [A]	+\$46
<b>ZB</b> graphite with graphite applique [A]	+\$80

**Step 4. 8Z Pellicle**

Price Category 1	+\$0
------------------	------

# Frame Applique

AER910



New Aeron® Accessories

## Product Information

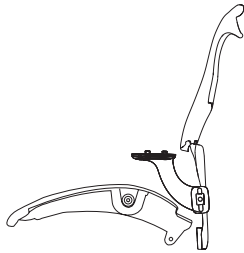
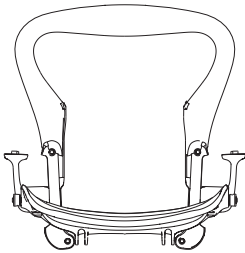
### Description

This frame applique is applied to a new Aeron® work chair's seat, back, and arms to minimize the effect of contact between the chair and a wood-edge surface. The seat and back appliques attach with the chair's existing screws. Coated arm yokes replace existing arm yokes. Arm components are preassembled. The arm yokes use the chair's existing armpads.

### Notes

Frame applique does not meet CAL 133 requirements.

### Dimensions



## Specification Information

### Step 1.

**AER910** A

### Step 2. Arms

- P** fixed arms
- H** height-adjustable arms
- A** height-adjustable plus pivot arms
- D** fully adjustable arms

### Step 3. Size

- A** a size
- B** b size
- C** c size

### Prices for Steps 1-3.

	A	B	C
<b>AER910 P</b>	\$605	605	605
<b>H</b>	\$620	620	620
<b>A</b>	\$630	630	630
<b>D</b>	\$646	646	646

### Step 4. Finish

**ZB** graphite with graphite applique A + \$0

# Index by Product Name

<b>New Aeron® Chairs</b>	
Arm Kit	page(s) 18
Arm Pad Set	21
Frame Applique	24
Lumbar Kit	20
PostureFit® SL	23
PostureFit® Support	22
Work Chair	5
Work Chair, Ready to Assemble	10
Work Stool	14

Index: Product Name



# Index by Product Number

AER1A Work Chair	page(s) 5
AER1B	
AER1C	
AER2A Work Chair, Ready to Assemble	10
AER2B	
AER71 Work Stool	14
AER72	
AER900 Arm Kit	18
AER900NN Lumbar Kit	20
AER901 Arm Pad Set	21
AER905 PostureFit® Support	22
AER906 PostureFit® SL	23
AER910 Frame Applique	24



## 20-Day or Less/Assigned Lead-Time Order Information

### 20-Day or Less and Assigned Lead-Time Programs

20-day or less and assigned lead-time products are designed for established Herman Miller dealers with pre-approved credit.

Products are distributed from multiple manufacturing facilities across the United States. All products and options not designated by an Assigned Lead-Time icon **A** will ship in 20 business days or less after being acknowledged by Herman Miller. Products and options designated by an **A** are on the assigned lead-time program and will ship in 20 days, less than 20 days, or more than 20 days from order acknowledgement.

### Ordering Procedure

Please place orders through Order Manager. If this is not available to you, place orders through mail or fax. Verbal purchase orders will not be accepted.

Order Entry fax number for Passage®, 5000 Series, and Meridian® Filing and Storage: (616) 846 9236.

Order Entry fax number for all other products:  
(616) 654 3085.

For more information, contact your Customer Care representative at:  
(866) 854 3048 EXT 3400.

### Shipments and Delivery

Per Herman Miller Terms and Conditions.

### Changes and Cancellation

Per Herman Miller Terms and Conditions.

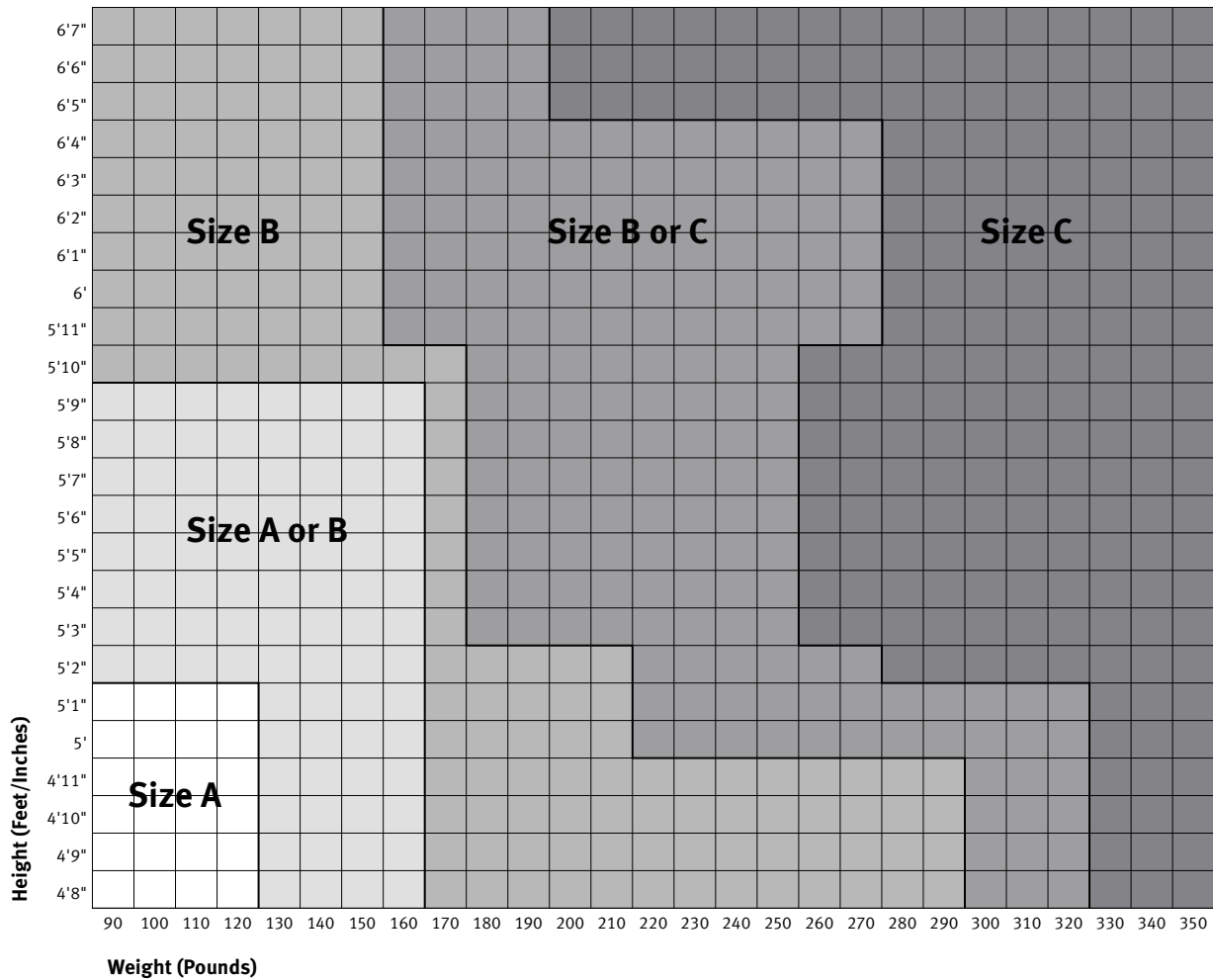




# Size/Fit Reference – New Aeron® Chair

This reference helps people select A-, B-, or C-size chairs when the three sizes are not available for actual test sitting. Height and weight are key indicators of suitable chair-size choice. Since the B-size chair is designed to fit a broad range of people, Herman Miller recommends it for users who fall in the A/B or B/C category. This chart applies to New Aeron chairs with the extended-height-range pneumatic height-adjustment cylinder.

To determine which chair size is best, find the point of intersection for your height and weight. New Aeron B-, and C-size chairs are tested and warranted for use by persons 350 pounds and under. A-size chairs are tested and warranted for use by persons 300 pounds and under.



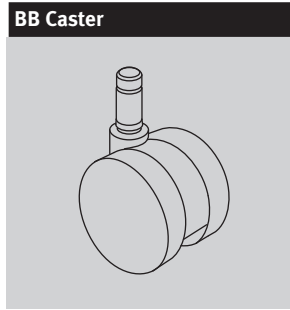


# Casters and Glides

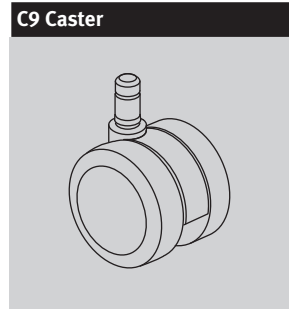
⚠	<b>WARNING</b>	⚠
Depending on the floor surface, chair may unexpectedly roll away from user when entering or exiting the chair, possibly leading to unexpected injury. Please refer to descriptions of floor types when selecting casters.		



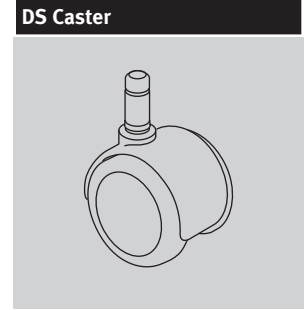
**32 Caster**  
 17/8-inch-diameter hard double-wheel caster; black nylon wheels and yoke; for use on carpet only  
 Applicable on:  
 Sayl® Chairs



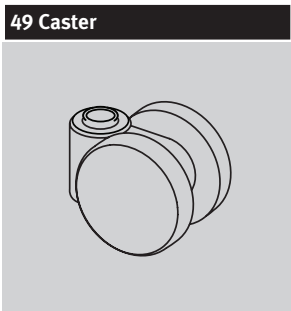
**BB Caster**  
 2 1/2-inch-diameter hard double-wheel caster; black nylon wheels and yoke; for use on carpet only  
 Applicable on:  
 New Aeron® Chairs  
 Classic Aeron Chairs  
 Caper® Chairs  
 Celle® Chairs  
 Embody® Chairs  
 Equa 2® Chairs  
 Ergon 3® Chairs  
 Mirra® 2 Chairs  
 Sayl Chairs



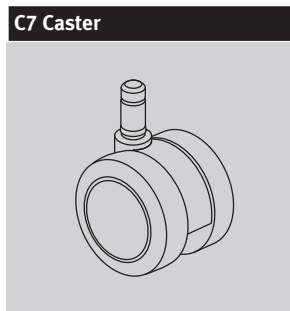
**C9 Caster**  
 2 1/2-inch-diameter double-wheel caster; black nylon wheels and yoke; soft polyurethane tread; internal brake; for use on hard floors or carpet  
 Applicable on:  
 Classic Aeron Chairs  
 Caper Chairs  
 Celle Chairs  
 Embody Chairs  
 Equa 2 Chairs  
 Ergon 3 Chairs  
 Mirra 2 Chairs  
 Sayl Chairs  
 Setu® Stools Only



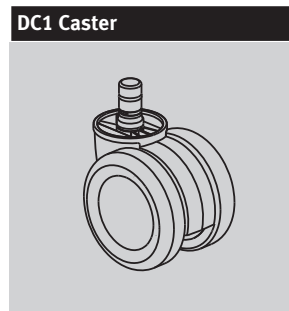
**DS Caster**  
 2-inch-diameter soft double-wheel braking caster; black nylon wheels and hood; for use on hard floors only  
 Applicable on:  
 Aside® Chairs  
 Caper Chairs



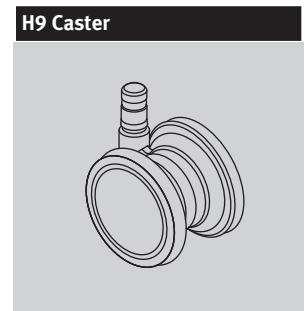
**49 Caster**  
 17/8-inch-diameter soft double-wheel caster; black nylon wheels and yoke; for use on hard floors or carpet  
 Applicable on:  
 Sayl Chairs



**C7 Caster**  
 2 1/2-inch-diameter double-wheel caster; black nylon wheels and yoke; soft polyurethane tread; for use on hard floors or carpet  
 Applicable on:  
 New Aeron Chairs  
 Classic Aeron Chairs  
 Caper Chairs  
 Celle Chairs  
 Embody Chairs  
 Equa 2 Chairs  
 Ergon 3 Chairs  
 Mirra 2 Chairs  
 Sayl Chairs



**DC1 Caster**  
 2 1/2-inch-diameter double-wheel braking caster; black nylon wheels and yoke; for use on hard floors or carpet; quiet roll technology  
 Applicable on:  
 New Aeron Chairs

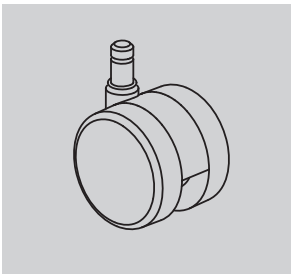


**H9 Caster**  
 2 1/2-inch-diameter double-wheel caster; clear polycarbonate wheels; nylon yoke; soft polyurethane tread; for use on carpet only.  
 Applicable on:  
 Embody Chairs  
 Setu Chairs

# Casters and Glides

continued

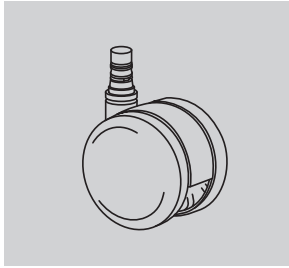
**HCC Caster**



2 1/2-inch-diameter double-wheel medium roll resistance caster; black yoke; for use on hard floors or carpet.

Applicable on:  
Setu Chairs

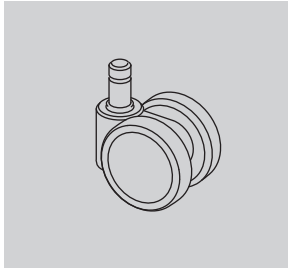
**SC8 Caster**



2 1/2-inch-diameter double-wheel caster; black nylon wheels and yoke; soft polyurethane tread; quiet roll technology; for use on hard floors or carpet

Applicable on:  
Mirra 2 Chairs

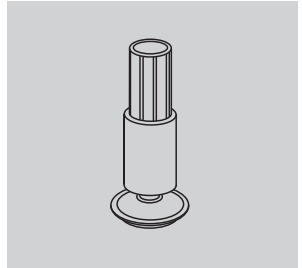
**U5 Caster**



1 7/8-inch-diameter soft double-wheel caster; black nylon wheels and yoke; for use on hard floors or carpet

Applicable on:  
Aside Chairs  
Caper Chairs

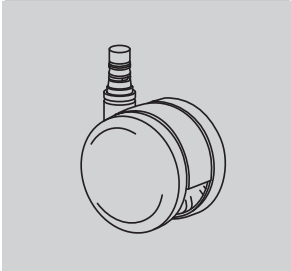
**69 Glide**



(Front glide shown)  
2 1/8-inch-high glide; black glass-filled nylon stem; steel-plated swivel foot with Floor Saver Glide® insert; for use on hard floors only

Applicable on:  
Sayl Chairs

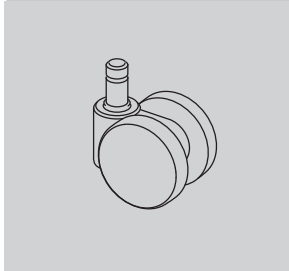
**OC Caster**



Setu-specific 2 1/2-inch-diameter double-wheel medium roll-resistant caster; black nylon wheels and yoke; soft polyurethane tread; for use on hard floors or carpet; quiet roll technology

Applicable on:  
Setu Chairs

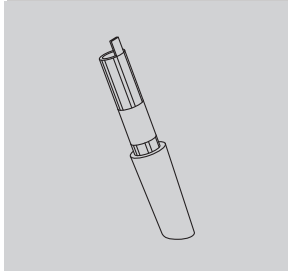
**U4 Caster**



1 7/8-inch-diameter hard double-wheel caster; black nylon wheels and yoke; for use on carpet only

Applicable on:  
Aside Chairs  
Caper Chairs

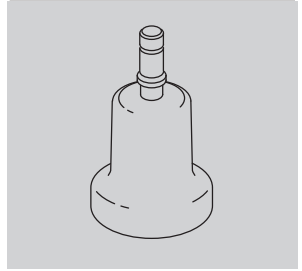
**16 Glide**



(Front glide shown)  
2 1/8-inch-high glide; black or fog acetate; for use on carpet only

Applicable on:  
Sayl Chairs

**GF Glide**



2 1/2-inch-high glide; black nylon; for use on hard floors or carpet

Applicable on:  
New Aeron Chairs  
Classic Aeron Chairs  
Caper Chairs  
Celle Chairs  
Equa 2 Chairs  
Ergon 3 Chairs  
Mirra 2 Chairs  
Sayl Chairs

# Casters and Glides

continued

## HG Glide



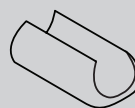
1/2-inch-high glide; black nylon glide with stainless-steel insert; for use on hard floors or carpet  
Applicable on:  
Aside Chairs

## SG Glide (for Aside)



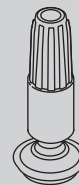
1/2-inch-high glide; black nylon; for use on carpet only  
Applicable on:  
Aside Chairs

## XS Glide



1/8-inch-high glide; polycarbonate in black, fog, clear, and studio white finishes; for use on hard floors or carpet  
Applicable on:  
Sayl Chairs

## YX Glide



1 7/8-inch-high glide; black nylon stem; steel-plated swivel foot with Floor Saver Glide® insert; for use on hard floors only  
Applicable on:  
Caper Chairs

## SB Glide



1/4-inch-high, 1-inch diameter glide; thermoplastic CAP material (G1 base has black glides; XT base has clear glides); for use on hard floors or carpet  
Applicable on:  
Classic Aeron Chairs  
Equa 2 Chairs

## X8 Glide



Glide; low profile; for use on hard floors or carpet  
Applicable on:  
Setu Chairs

## Y7 Glide



1 7/8-inch-high glide; black acetal; for use on carpet only  
Applicable on:  
Caper Chairs



# Fire Retardancy – Seating

## Fire Retardancy

Fire-retardant chairs are manufactured with special cushions, cushions covered with fire-barrier material, and/or are upholstered in approved fire-retardant fabrics. These chairs meet California TB 133 requirements.

All foam, Proprietary Textiles, and Textile Alliance Program™ (TAP™) textiles on HermanMiller seating products comply with California TB 117-2013.

	State of California Bureau of Home Furnishings, Technical Bulletin 133	State of California Bureau of Home Furnishings, Technical Bulletin 117-2013
AireWeave™ 2	FR	●
Balance <sup>1</sup>	FR	●
Bento	FR	●
ColorGuard	FR	●
Crepe	FR	●
Crossing	FR	●
Flexnet™	FR	●
Gem	FR	●
Latitude™	FR	●
Leather	FR	●
Lyris 2™ <sup>3</sup>	FR	●
Mercer	FR	●
Moiré	FR	●
Pellicle® Classic <sup>4</sup>	FR	●
Pellicle Tuxedo	FR	●
Pellicle Wave	FR	●
Plateau	FR	●
Quilty	FR	●
Railroad	FR	●
Rhythm <sup>2</sup>	FR	●
Slideshow	FR	●
Spools	FR	●
Stitches	FR	●
Strata	FR	●
Twist	FR	●

- Fabric meets code requirements.

FR To meet California TB 133 code requirements, fabrics must be applied to approved chairs identified with FR product numbers. To verify a fabric is approved for a specific chair, see the Fire-Retardant listing on the Seating Textiles Application Chart.

- Balance 3512 carbon and 3513 black only available on Embody® FR chairs.
- Rhythm 3014 black only available on Embody FR chairs.
- Lyris 2 4W11 graphite only available on Setu® FR chairs.
- Pellicle Classic 3Do1 carbon only available on Classic Aeron® FR chairs.





# Customer's Own Material/Customer's Own Leather Order Information — Seating

## Packaging

Packaging varies according to individual product. A surcharge may be added for special packaging requests. Contact Customer Care for specific information.

## Customer's Own Material/Customer's Own Leather

### Program Overview

The Customer's Own Material (COM) and Customer's Own Leather (COL) program gives you the option of using textiles other than those listed. Herman Miller will test textiles for application to Herman Miller products and will process orders for those with approved COM/COL textiles only. COM/COL are assigned lead-time textiles.

Omni lists an overview of fabrics and leathers that have been tested and indicates whether or not they were approved for application to Herman Miller products.

Specific information on the terms and conditions, testing, approval, and ordering process for COM/COL is listed below. Questions about the COM/COL program and requests for assistance may be directed to your COM representative at:

(616) 654 3400

(866) 854 3048 EXT 6543400

### Customer's Own Material/Customer's Own Leather Warranty

Herman Miller does not warrant COM/COL textiles. COM/COL textiles are tested for application only; they are not tested for performance. The Herman Miller warranty does apply to the underlying products.

Suppliers of COM/COL textiles are responsible for color consistency within commercial tolerances, UV stability, and resistance to soiling and perspiration.

### Customer's Own Material/Customer's Own Leather Pricing

COM is a Category 1 fabric. There are no application charges for COM fabrics. COL is a Category 7 textile; refer to prices on specific products to determine the application charge.

Ordering and payment for COM/COL textile yardage are the responsibility of the customer and the textile supplier.

If desired, Herman Miller will purchase COM textiles directly from True Textiles, C.F. Stinson, Luna Textiles, Maharam, and Momentum Textiles to simplify ordering and shipment. For this service, refer to the Supplier Connection program.

# Customer's Own Material/Customer's Own Leather Order Information — Seating

continued

## Textile Approval

1. Select a COM/COL textile and a Herman Miller product.
2. If your textile is not listed in Omni, obtain a test number from a COM representative at (616) 654 3400. You can also submit your request within Omni. Please have the following information ready before calling: textile name, number, pattern, roll width, and the product you will apply it to.

Additional yardage may be needed due to the unique characteristics of a textile. All package labels must include the words "COM test" or "COL test" and the assigned COM/COL test number.

3. Herman Miller will notify you of approval or disapproval within 4 days from receipt of the test yardage.

## Ordering Products with COM/COL

1. Refer to the specific products to determine the yardage required for COM/COL textiles.
2. If your textile is not listed in Omni, call a COM representative at (616) 654 3400 or (866) 854 3048 EXT 6543400. The representative will assign an identification number for your textile (ID#) and will verify yardage requirements for your order. Additional yardage may be needed due to the unique characteristics of a textile.
3. Enter your order on Order Manager in Omni.
4. Upon receipt of your purchase order, Herman Miller will send you a PO acknowledgment.
5. Arrangements must be made for the textiles to be shipped from the supplier to Herman Miller for application to the seating products. Textiles must be tagged with the assigned identification number and the roll yardage quantity. See Omni for shipping procedures and current shipping addresses or contact a COM representative at (616) 654 3400 or (866) 854 3048 EXT 6543400.

Products will be scheduled for production when COM/COL textiles are received at Herman Miller. Standard lead times in effect at that time will apply.

*Note: If textiles are to be purchased directly by Herman Miller through the Supplier Connection program, Herman Miller will handle the ordering and shipping process and will schedule your order for production upon receipt of your purchase order (dependent on textile availability). Refer to the Supplier Connection program for more information.*

## Supplier Connection

### Program Overview

The Supplier Connection program is a service offered by Herman Miller to purchase approved COM textiles directly from True Textiles, C.F. Stinson, Luna Textiles, Maharam, and Momentum Textiles. When you select a textile through this program, Herman Miller will facilitate the ordering, scheduling, and shipment of the textile directly with the supplier.

Suppliers included in the Supplier Connection program keep an active inventory of textiles that are pre-approved for application to Herman Miller products. Pre-approval applies only to the suitability of a textile for manufacturing and application to a Herman Miller product. Omni provides an overview of fabrics that have been tested and indicates whether or not they were approved for application to Herman Miller products.

Specific information on the terms and conditions, testing, approval, and ordering process for the Supplier Connection program is listed below. Questions and requests for assistance may be directed to your COM representative at:

(616) 654 3400  
(866) 854 3048 EXT 6543400

### Supplier Connection Warranty

Textiles purchased by Herman Miller through the Supplier Connection program are COM and are not warranted by Herman Miller. COM textiles are tested for application only; they are not tested for performance. The Herman Miller warranty does apply to the underlying products.

Suppliers of COM textiles are responsible for color consistency within commercial tolerances, UV stability, and resistance to soiling and perspiration.

# Customer's Own Material/Customer's Own Leather Order Information — Seating

*continued*

## **Supplier Connection Pricing**

Textiles purchased by Herman Miller through the Supplier Connection program are COM. COM is a Category 1 fabric. There are no application charges for COM fabrics.

Payment for textiles purchased by Herman Miller through the Supplier Connection program is the responsibility of the customer or dealer. Herman Miller will invoice the order at the supplier's prices published at the time of the order.

## **Textile Approval**

1. Refer to Omni to identify the approval status of the textile. If your textile is not listed, contact the COM Department to request testing for application to Herman Miller products.
2. Herman Miller will notify you of approval or disapproval in approximately 4 days from receipt of the test yardage. If the textile is approved, it will be assigned a COM identification number.

## **Ordering Products with Supplier Connection COM**

1. Identify and include the following information on your purchase order:
  - Product number and option
  - Herman Miller's COM identification number
2. Enter your order on Order Manager in Omni.
3. Upon receipt of the purchase order, Herman Miller will process your order and send you a PO acknowledgment. Herman Miller will determine the yardage required to produce your product and will order and schedule for delivery the required textile. Standard lead times in effect at the time the textile is allocated at the supplier will apply to products ordered through this program.



# Proprietary Textiles Application Chart — Seating

• Available

[A] Assigned lead-time textile.

See following page for exception notes.

[N] Non-woven textile.

	Aeron® Chairs	Mirra® 2 Chairs/Stools	Celle® Chairs	Embody® Chairs	Sayl® Work Chairs/Stools	Sayl Side Chairs	Setu® Chairs/Stools	Setu Lounge Chair/Ottoman	Verus™ Work Chairs/Stools Back	Verus Work Chairs/Stools Seat	Verus Side Chairs Back	Verus Side Chairs Seat	Ergon 3® Chairs	Equa 2 Fully Upholstered Chairs/Stools	Equa 2 Split-Pad Upholstered Chairs/Stools	Aside® Chairs	Caper® Chairs/Stools	Keyn Chair Group Back	Keyn Chair Group Seat	Locale® Bench Cushion	Public® Office Landscape Back	Public Office Landscape Seat	Swoop™ Lounge Seating - Fully Upholstered	Swoop Lounge Seating - Plywood	Cushion Tops	Workspaces	
<b>Price Category 1</b>																											
COM Customer's Own Material [A]			14		1	1								1	1	1	1			1	1		1	1	1	1	1
231__ 8Z Pellicle®	•																										
1A7__ AireWeave 2		•																									
3P__ ColorGuard [N]			15		•	22	•	•	•	•	•	•	•	2	3	8		•	•	•			•	•	•	•	•
8T__ Crossing			•				•	•						•	•	•						•	•	•	•	•	•
6V__ Flexnet™																	•										
95__ Gem			14				•	•						•	•	•					•			•	•	•	•
65__ Interweave									•																		
4W__ Lyris 2™							•	•																			
1MN__ Monologue			14		24	22	•	•		•	•	•	•					•	•	•		•	•	•	•	•	•
3D__ Pellicle® Classic (3V__)																											
1WS__ Whisper			14		24	•	•	•		•	•	•	•	•	•	•		•	•	•		•	•	•	•	•	•
<b>Price Category 2</b>																											
92__ Crepe			•		•	•	•	•	•	•	•	•	•	•	•	•		•	•	•			•	•	•	•	•
1LM__ Loom			14		•	•			•	•	•	•		•				•	•	•			•	•	•	•	•
1MV__ Marvel						21	22												•								
1HA__ Medley			14		•	•	22		•	•	•	•	•	•	•	•		•	•	•	•	•	•	•	•	•	•
3A__ Moiré			14		•	•	•	•		•	•	•	•	•	•	•		•	•	•		•	•	•	•	•	•
30__ Rhythm			•	23	•	•			•	•	•	•			•	•		•	•	•		•	•	•	•	•	•
1RV__ Rivet			14						•	•	•	•						•	•	•		•	•	•	•	•	•
8R__ Twist			•		•	•	•	•	•	•	•	•			•	•		•	•	•		•	•	•	•	•	•
<b>Price Category 3</b>																											
70__ Bento					•	•	•	•		•	•	•	•	2	•	•	8		•								•
8M__ Latitude™			23		•	•									3								•	•			
8U__ Stitches			•		•	•	•	•	•	•	•	•	•	•	•	•		•	•			•	•	•	•	•	•
<b>Price Category 4</b>																											
7Y__ Bingo [N]							•	•	•	•	•	•	•	2		3	8		•	•	•						•
213__ Mercer			14		•	21	22		•	•	•	•						•	•			•	•	•	•	•	•
1A9__ Network																					•						
6J__ Plateau														•	•	•	•										•
6S__ Quilty			14		•	•			•	•	•	•	•					•	•	•			•	•	•	•	•
8Y__ Spools			14		21	•			•	•	•	•	•	•	•	•		•	•	•		•	•	•	•	•	•
22P__ Strata					•	•	•		•	•	•	•	•			•		•	•	•	•	•	•	•	•	•	•
<b>Price Category 5</b>																											
No fabrics available at this time																											
<b>Price Category 6</b>																											
35__ Balance					•		•																				
<b>Price Category 7</b>																											
COL Customer's Own Leather [A]	1	14												1	1	1	8									1	
<b>Price Category 8</b>																											
No fabrics available at this time																											
<b>Price Category 9</b>																											
21__ Leather	23	14												•	•	8								•	•		

# Proprietary Textiles Application Chart — Seating

continued

• Available

[A] Assigned lead-time textile.

See below for exception notes.

[N] Non-woven textile.

## Fire-Retardant Chairs/Fabrics

	Aeron® Chairs - Graphite	Mirra® 2 Chairs/Stools with Butterfly Back™	Celle® Chairs	Embody® Chairs	Sayl® Work Chairs/Stools	Sayl Side Chairs	Setu® Chairs/Stools	Setu Lounge Chair/Ottoman	Ergon 3® Chairs	Equa 2® Fully Upholstered Chairs/Stools	Equa 2 Split-Pad Upholstered Chairs/Stools	Aside® Chairs	Caper® Chairs/Stools	Swoop™ Lounge Seating - Fully Upholstered
<b>Price Category 1</b>														
COM Customer's Own Material [A]								1	1	1	1			
23103 8Z Pellicle - Graphite	•													
1A7__ AireWeave™ 2		•												
3P__ ColorGuard [N]			15	24	22			2		3	8			•
8T__ Crossing			14				•	•	•	•	•	•		•
6V__ Flexnet™													•	
95__ Gem			14				•	•	•	•	•			•
4W__ Lyriss 2™						18	•							
1MN__ Monologue			14	21	22		•	•	2	•	•			•
1WS__ Whisper			14	21	22		•	•	•	•	•			•
<b>Price Category 2</b>														
92__ Crepe			14		•	•				•	•	•		•
3A__ Moiré			14		•	•	•	•	•	•	•	•		•
30__ Rhythm			14	24	•						8			•
8R__ Twist			14		•	•	•	•	•		•	8		•
<b>Price Category 3</b>														
70__ Bento					•	•	•	•	2			8		•
8M__ Latitude™			•		•	•								
8U__ Stitches			14		•	•	•	•	•	•	•	•		•
<b>Price Category 4</b>														
6J__ Plateau												•		
6S__ QUILTY			14		•	•								•
<b>Price Category 5</b>														
No fabrics available at this time														
<b>Price Category 6</b>														
35__ BALANCE				17										
<b>Price Category 9</b>														
21__ Leather			14									8		

All foam and Proprietary Textiles on HermanMiller seating comply with California TB 117-2013.

Application Note: Herman Miller cannot guarantee material/pattern alignment in adjacent products. For example, a fabric's pattern may not align from one pedestal cushion top to the next, or from one chair to the next.

1 Refer to price book appendices and Kiosk for COM/COL information.

2 Available on all Ergon 3 chairs except for fabric back (FB) option.

3 Available on A-and B-size Equa 2 split-pad upholstered chairs.

8 Only available on non-upholstered outer back (PB) option.

14 Available on Celle UC (upholstered seat) and HC (upholstered seat with protective edge) chairs.

15 Available on Celle HC (upholstered seat with protective edge) Chairs.

17 Only available in 3512 Carbon and 3513 Black.

18 Only available in 4W26 Slate Grey, 4W30 Java and 4W31 Graphite.

21 Not available on Sayl upholstered back work chairs.

22 Not available on Sayl side chairs with upholstered backs.

23 Available in select colors. Refer to "Proprietary Textile Colors - Seating" for color offering.

24 Not available on Sayl upholstered High-Back Work Chairs.

# Proprietary Textile Colors — Seating

## Price Category 1

**Customer's Own Material**  
See Order Information in  
Appendices.  
Assigned lead-time textile. A

**8Z Pellicle®**  
For New Aeron® Chairs  
56% elastomeric  
44% polyester  
23101 Mineral  
23102 Carbon  
23103 Graphite

**AireWeave™ 2**  
For Mirra® 2 Chairs  
67% elastomeric  
33% antimony-free polyester  
1A701 Alpine  
1A702 Slate Grey  
1A703 Graphite  
1A704 Lime Green  
1A705 Cappuccino  
1A706 Urban Orange  
1A707 Dark Turquoise  
1A708 Twilight

**ColorGuard**  
54" wide  
100% vinyl  
3P01 Grey  
3P02 Navy  
3P03 Spruce A  
3P08 Blueberry A  
3P12 Black Plum A  
3P14 Black  
3P19 Slate  
3P31 Horizon Blue A  
3P33 Pumice  
3P54 Candy Apple A  
3P72 Allspice A  
3P96 Manzanita A  
3P97 Fudge A  
3PB2 Sea Grass A  
3PB5 Vizcaya Palm A  
3PB9 Neptune A  
3PC7 Bucksuede A  
3PD4 Otter A

A Assigned lead-time color.

**Crossing**  
54" wide  
86% antimony-free polyester  
14% polyester  
8T03 Wicker  
8T04 Porcelain  
8T05 Warm Grey  
8T06 Sepia  
8T07 Pumpkin  
8T08 Copper  
8T09 Cranberry  
8T10 Tomato  
8T11 Mulberry  
8T12 Plum  
8T13 Green Apple  
8T14 Loden  
8T15 Spruce  
8T16 Periwinkle  
8T17 Cerulean  
8T18 Indigo  
8T19 Shale  
8T20 Brownstone  
8T21 Bark  
8T22 Tin  
8T23 Graphite  
8T24 Black

**Flexnet™**  
For Caper® Chairs  
69% elastomeric  
31% polyester  
6V01 Black  
6V02 Silver Grey

**Gem**  
54" wide  
100% antimony-free polyester  
9501 Sesame  
9502 Tangerine  
9503 Red  
9504 Red Violet  
9505 Mulberry  
9506 Java  
9507 Twilight  
9508 Bayou  
9509 Iris  
9510 Berry Blue  
9511 Aqua Green  
9512 Green Apple  
9513 Spruce  
9514 Black  
9515 Slate Grey  
9516 Fog

**Interweave**  
For Verus™ Chairs  
71% elastomeric  
29% polyester  
6504 Pewter  
6505 Charcoal  
6506 Black

**Lyris 2™**  
For Setu® Chairs  
74% elastomeric  
26% polyester  
4W21 Alpine  
4W22 Mango  
4W23 Chartreuse  
4W25 Berry Blue  
4W26 Slate Grey  
4W28 Chino  
4W29 Rattan  
4W30 Java  
4W31 Graphite

# Proprietary Textile Colors — Seating

continued

## Price Category 1

continued

### Monologue

54" wide	
56% recycled polyester	
44% polyester	
1MN01	Linen
1MN02	Alabaster
1MN03	Truffle
1MN04	Folkstone
1MN05	Silver Pine
1MN06	Slate
1MN07	Seed
1MN08	Yellow Oxide
1MN09	Persimmon
1MN10	Tundra
1MN11	Meadow
1MN12	Blue Sky
1MN13	Blue Spruce
1MN14	Deep Sea

### Whisper

54" wide	
73% recycled polyester	
27% polyester	
1WS01	Sand Dollar
1WS02	Pebble
1WS03	Silver Birch
1WS04	Iceberg
1WS05	Silver Pine
1WS06	Carbon
1WS07	Cumin
1WS08	Adobe
1WS09	Strawberry
1WS10	Blush
1WS11	Eggplant
1WS12	Willow
1WS13	Sea Grass
1WS14	Pool
1WS15	Blueberry

### Crepe

54" wide	
100% recycled polyester	
9201	Licorice
9203	Smoke
9207	Cherry
9209	Claret
9212	Raisin
9218	Aquamarine
9223	Cadet
9241	Beachglass
9243	Midnight
9244	Artichoke
9248	Warm White
9249	Stone
9250	Earth
9251	Fog
9252	Slate Grey
9253	Yellow Dark
9254	Coral
9255	Blush Grey
9256	Wild Berry
9257	Clover
9258	Caribbean
9259	Cerulean
9260	Brownstone
9261	Shale
9262	Graphite
9263	Tomato
9264	Green Apple

### Loom

54" wide	
100% polyester	
1LM01	Linen
1LM02	Brown Sugar and Spice
1LM03	Brick and Mortar
1LM04	Salt and Pepper
1LM05	Black
1LM06	Lemongrass
1LM07	Poppy
1LM08	Wild Berry
1LM09	Loden
1LM10	Jade
1LM11	Deep Sea

## Price Category 2

### Medley

54" wide	
100% polyester	
1HA01	Stone
1HA02	Trail
1HA03	Charcoal
1HA04	Cinder
1HA05	Citrus
1HA06	Papaya
1HA07	Chutney
1HA08	Tundra
1HA09	Feather Grey
1HA10	Chartreuse
1HA11	Loden
1HA12	Peacock
1HA13	Bayou
1HA14	Blue Grotto
1HA15	Blueberry
1HA22	Khaki
1HA23	Pewter
1HA24	Yellow Oxide
1HA25	Vintage Rose
1HA26	Raspberry
1HA27	Acai Berry

### Moiré

54" wide	
100% recycled polyester	
3A01	Concrete
3A02	Biscotti
3A03	Rattan
3A04	Chambray
3A05	Fern
3A08	Violet
3A09	Zin
3A10	Curry
3A11	Spice
3A12	Cork

### Rhythm

54" wide	
100% polyester	
3001	Kiwi Green *
3002	Green Apple
3003	Peacock
3004	Bayou *
3005	Berry Blue
3006	Iris
3007	Twilight
3008	Pumpkin *
3009	Poppy *
3010	Molasses
3011	Mulberry
3012	Khaki *
3013	Mink
3014	Black
3015	Charcoal

\* Colors not available on Embody Chair

### Rivet

54" wide	
100% recycled polyester	
1RV01	Twig
1RV02	Deep Clay
1RV03	Woodrose
1RV04	Otter
1RV05	Hemlock
1RV06	Olive
1RV07	Lagoon
1RV08	Deep Sea
1RV09	Charcoal
1RV10	Grey Brindle

Price category 2 continued on next page



# Proprietary Textile Colors — Seating

continued

## Price Category 2

continued

Twist	
54" wide	
80% antimony-free polyester	
13% recycled polyester	
7% polyester	
8R05	Wicker
8R10	Poppy
8R14	Tin
8R15	Shale
8R16	Graphite
8R17	Birch
8R18	Sepia
8R22	Blueberry
8R23	Green Apple
8R26	Gunmetal
8R27	Cinder
8R28	Citrus
8R29	Pekoe
8R30	Tangerine
8R31	Red Plum
8R32	Wisteria
8R33	Forest
8R34	Jade Dark
8R35	Waterfall
8R36	Midnight Blue
8R37	Carbon Dark

## Price Category 3

Bento	
54" wide	
100% antimony-free polyester	
7001	Frost
7002	Linen
7003	Khaki
7004	Truffle
7005	Grey Black
7006	Pumpkin
7007	Cranberry
7008	Everglade
7009	Cobalt

Latitude™	
61" wide	
100% polyester	
8M01	Graphite
8M02	Shadow
8M10	Alpine
8M17	Black
8M21	Slate Grey
8M22	Lime Green
8M23	French Press
8M24	Urban Orange
8M25	Dark Turquoise
8M26	Twilight

Stitches	
54" wide	
54% polyester	
46% recycled polyester	
8U02	Rye
8U03	Khaki
8U04	Honey
8U05	Cattail
8U08	Cool Grey
8U09	Slate Blue
8U11	Evening Blue
8U12	Charcoal
8U13	Kiwi Green
8U16	Cocoa
8U17	Seed

## Price Category 4

Bingo	
54" wide	
100% PVC-free polyurethane	
Resilience® finish	
7Y01	Oyster
7Y02	Natural
7Y03	Cashew
7Y05	Rattan
7Y06	Root
7Y07	Woodland
7Y10	Allspice
7Y11	Canyon
7Y17	Seed
7Y18	Mushroom
7Y19	Blue Grey
7Y21	Black
7Y22	Mint
7Y23	Seaport
7Y24	Evening Blue
7Y26	Kiwi Green
7Y27	Celadon
7Y29	Pesto

Mercer	
54" wide	
50% solution dyed recycled nylon	
50% solution dyed nylon	
BLOCKaide	
21301	Stone
21303	Cayenne
21305	Pesto
21306	Teal Blue
21307	Ultramarine
21310	Charcoal

Network	
For Public Office Landscape®	
sectional back/social chair.	
knit to size	
100% polyester	
1A901	Warm White
1A902	Fog
1A903	Red
1A904	Wildberry
1A905	Green Apple
1A906	Twilight
1A907	Graphite

Plateau	
knit to size	
100% polyester	
6J01	Feather Grey
6J02	Trail
6J06	Twig
6J08	Sagebrush
6J09	Winter Berry
6J10	Thunder
6J11	Blueberry
6J12	Rosemary
6J14	Black

Quilty	
56" wide	
100% antimony-free polyester	
GreenShield	
6S03	Khaki
6S04	Straw
6S07	Brick
6S10	Mink
6S11	Green Apple
6S13	Indigo
6S14	Zinc
6S15	Slate
6S16	Beachwood
6S17	Paprika
6S18	Plum
6S19	Juniper
6S20	Grey Black

Price category 4 continued on next page

# Proprietary Textile Colors — Seating

*continued*

## Price Category 4

*continued*

### Spools

54" wide  
 51% recycled polyester  
 49% polyester  
 Crypton® Green

8Y03	Trail
8Y05	Copper
8Y08	Bluegrass
8Y09	Lagoon
8Y11	Beachglass
8Y12	Marsh
8Y13	Bud

### Strata

54" wide  
 50% solution dyed recycled nylon  
 50% solution dyed nylon  
 BLOCKaide

22P04	Pesto
22P05	Peacock
22P06	Blue Jay
22P07	Blueberry
22P09	Mango
22P10	Paprika
22P12	Wheat
22P13	Brownstone
22P14	Bayou

## Price Category 5

No fabrics available at this time.

## Price Category 6

### Balance

100% polyester	
3506	Green Apple
3507	Blue Moon
3509	Berry Blue
3510	Iris
3512	Carbon
3513	Black

## Price Category 7

### Customer's Own Leather

See Order Information in Appendices. Assigned lead-time textile. [A](#)

# Proprietary Textile Colors — Seating

continued

---

## Price Category 8

No fabrics available at this time.

---

## Price Category 9

### Leather

approx. 50 sq. ft. per hide  
100% leather

2101	Ivory
2109	Black *
2110	Smoke
2111	Graphite
2112	Khaki
2113	Rattan
2114	Truffle
2115	Alpine
2116	Haze
2117	Sable Grey
2118	Dark Mineral **
2119	Dark Carbon ***
2120	Cranberry
2121	Deep Sea

\* Armpad color available on Aeron® Chair, Graphite.

\*\* Armpad color available on Aeron Chair, Mineral.

\*\*\* Armpad color available on Aeron Chair, Carbon.

For more information about our products and services or to see a list of dealers, please visit us at [HermanMiller.com](http://HermanMiller.com) or call (800) 851 1196.

© 2018 Herman Miller, Inc., Zeeland, Michigan

® **HermanMiller**, ●, Action Office, Aeron, Aside, Avive, Canvas Office Landscape, Caper, Celle, Co/Struc, Eames, Embody, Equa 2, Ergon 3, Ethospace, Exclave, Fine-Tune, FlexFront, Formcoat, Ground Cloth, Herman Miller Healthcare, Layout Studio, Maharam, Meridian, Mirra, Passage, Pellicle, Perspectives, PostureFit, Resolve, Sayl, Setu, Thrive, Tu, Y-Tower, and Z-Axis are among the registered trademarks of Herman Miller, Inc., and its owned subsidiaries.

™ AireWeave, Bubbletack, Cellular Suspension, Compass, Connect, DOT, Durawrap, Everywhere, Flex-Edge, Hopsak 2, Intent, Iota, Keyless Entry, Latitude, Lyris 2, Mora, Motia, Multiscrim, Nelson, Renew, Stackable, Swoop, TriFlex, Twist, and Verus are among the trademarks of Herman Miller, Inc., and its owned subsidiaries.

®Chemsurf® is a registered trademark of Wilsonart International.

Corian® is a registered trademark of E.I. du Pont de Nemours and Company Corporation.

FLEXNET™ is a trademark of Milliken & Company.

Floor Saver Glide® is a registered trademark of Carpin Manufacturing, Inc.

Geiger® is a registered trademark of Geiger International.

Microsoft® and Natural® Keyboard are registered trademarks of Microsoft Corporation.

Place Textiles® is a registered trademark of Place Textiles.