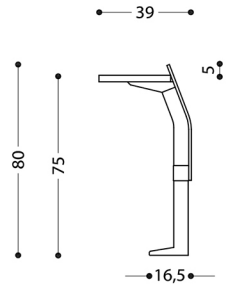
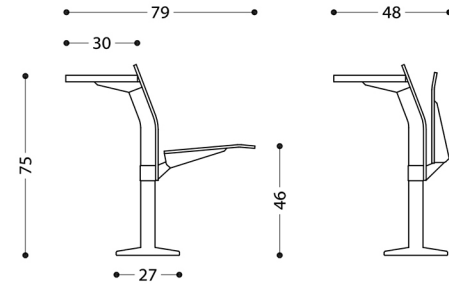
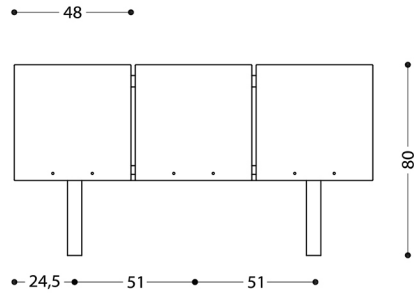


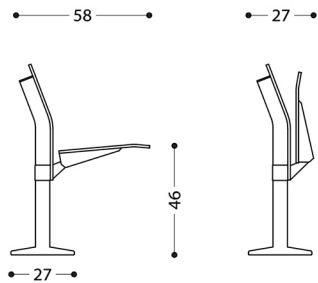
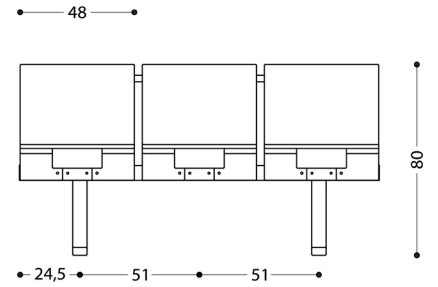
E4000 fixed table



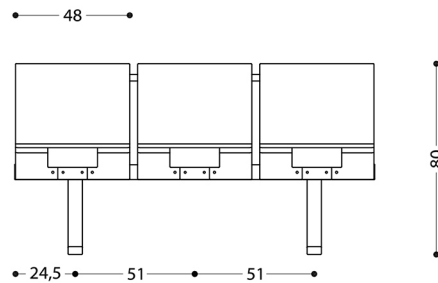
FIRST ROW



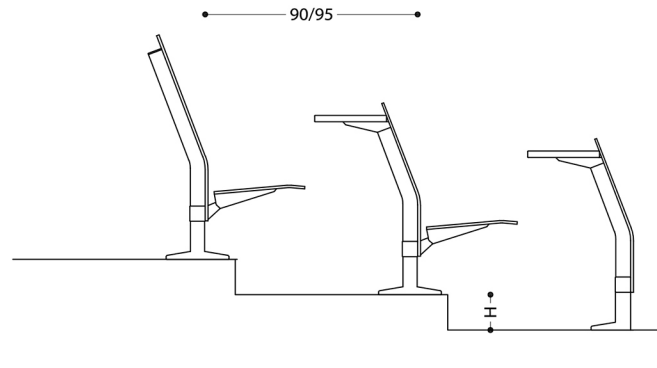
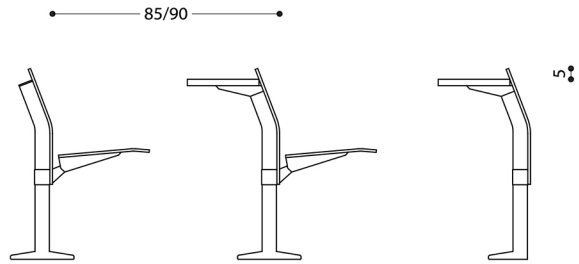
INTERMEDIATE ROW



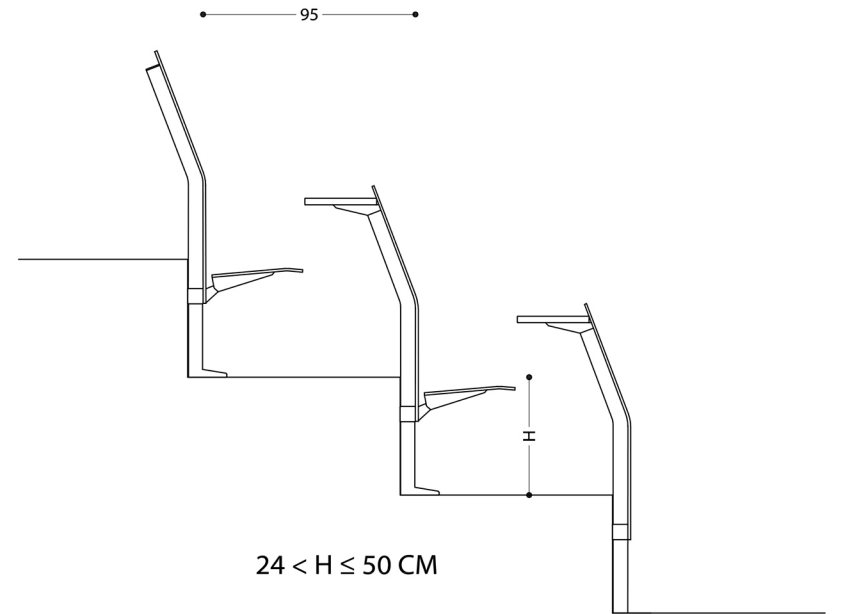
END ROW



E4000 fixed table

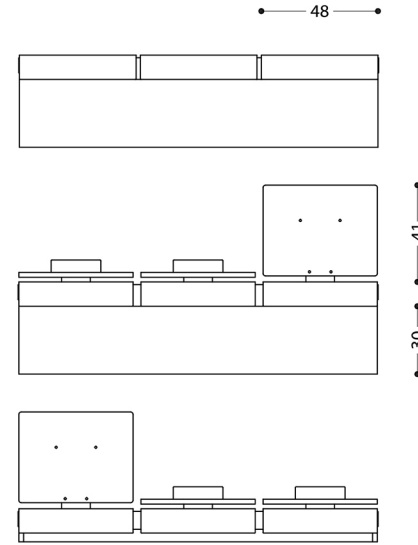
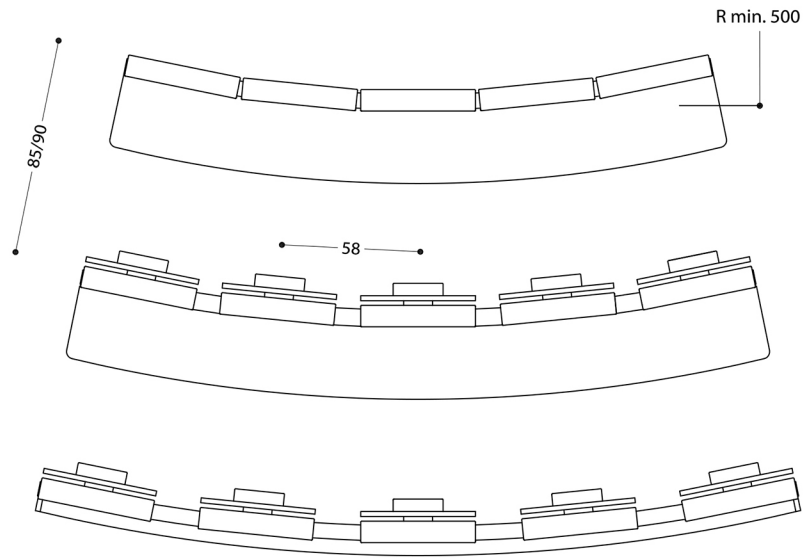


$H \leq 24 \text{ CM}$

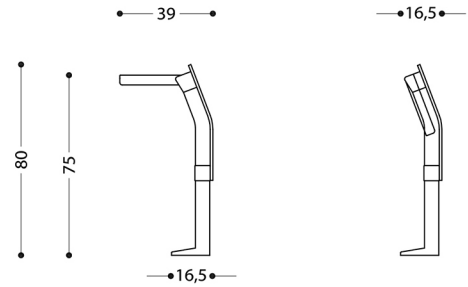


$24 < H \leq 50 \text{ CM}$

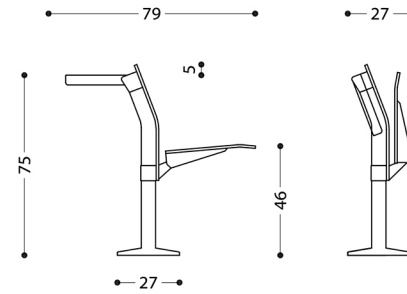
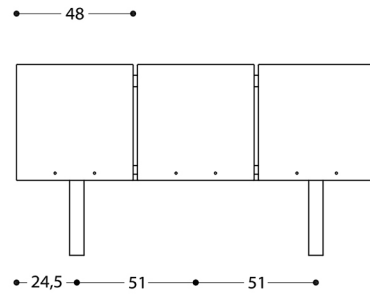
E4000 fixed table



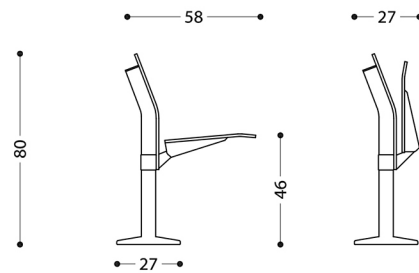
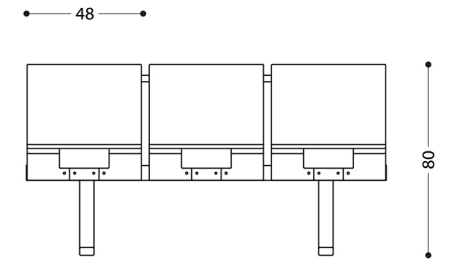
E4000 tip-up table



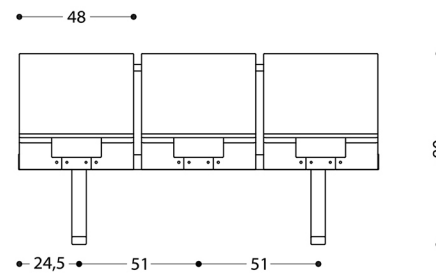
FIRST ROW



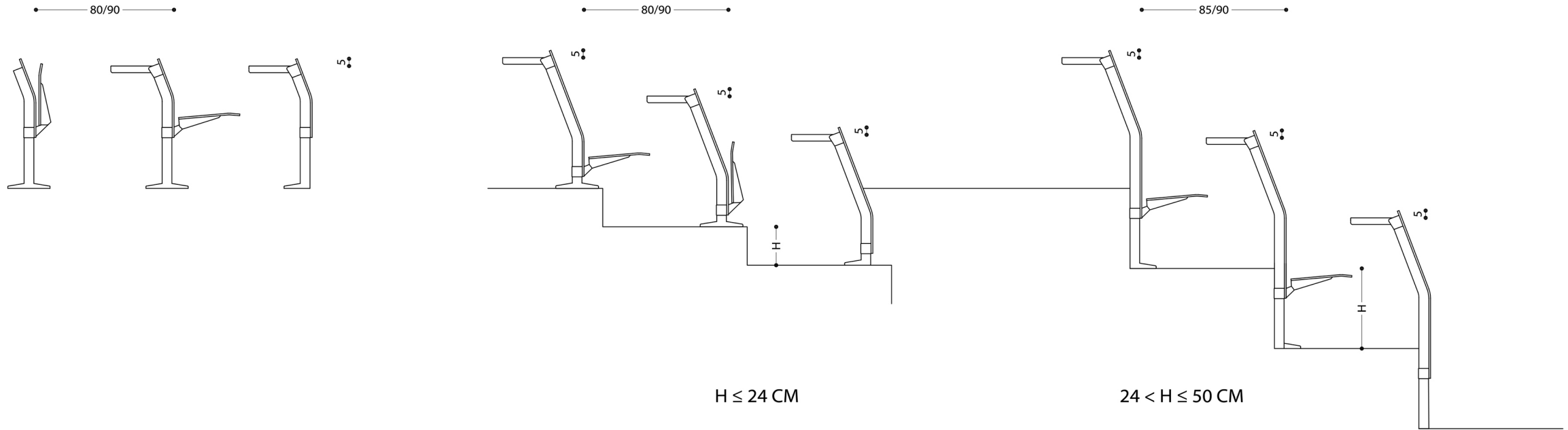
INTERMEDIATE ROW



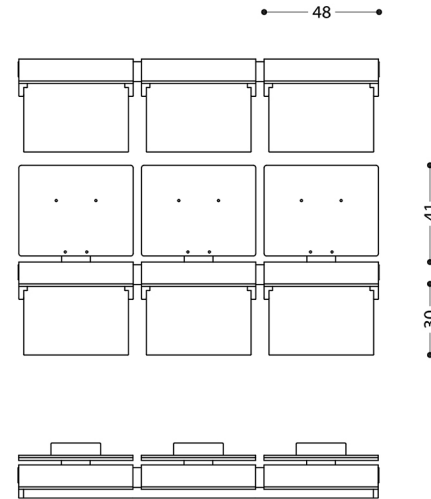
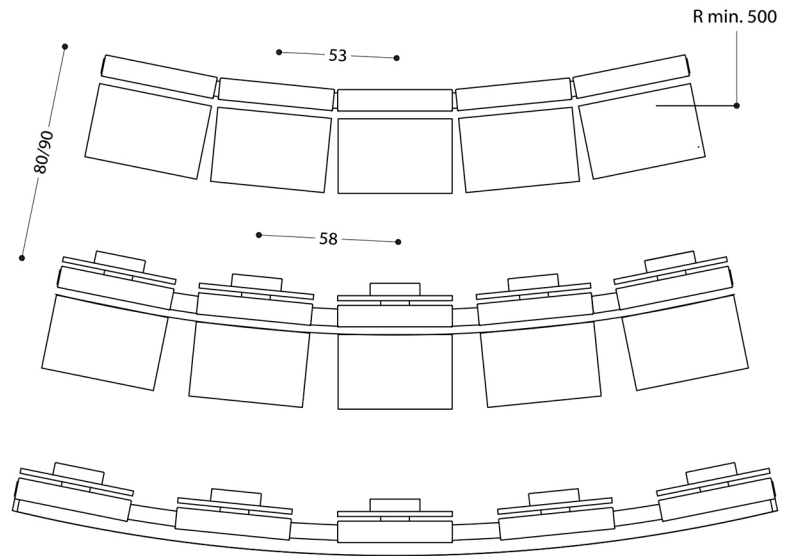
END ROW



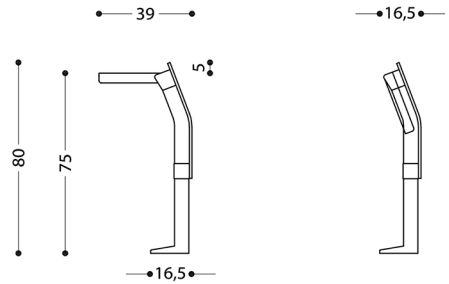
E4000 tip-up table



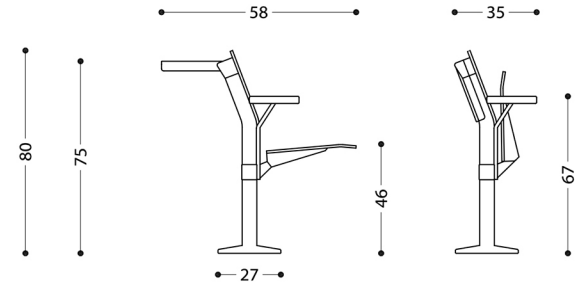
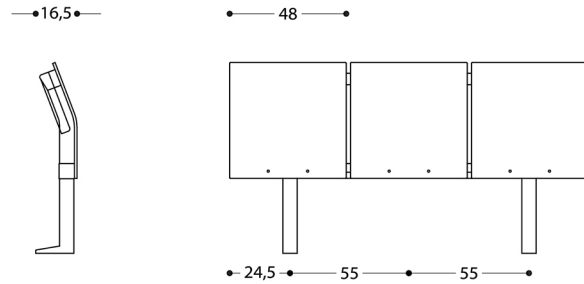
E4000 tip-up table



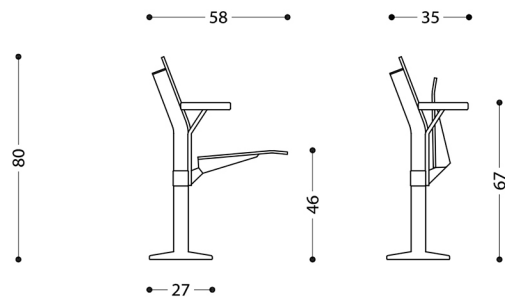
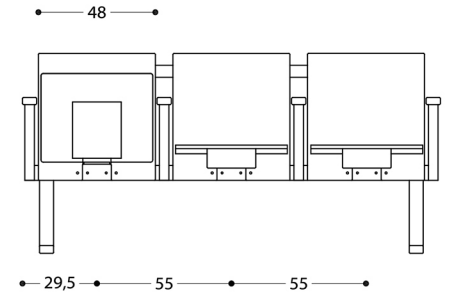
E4000 tip-up table with arms



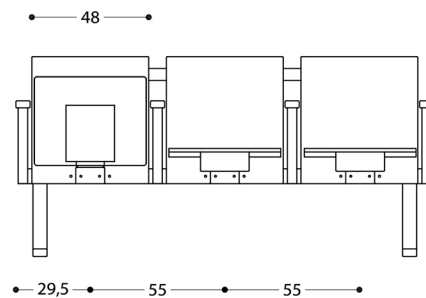
FIRST ROW



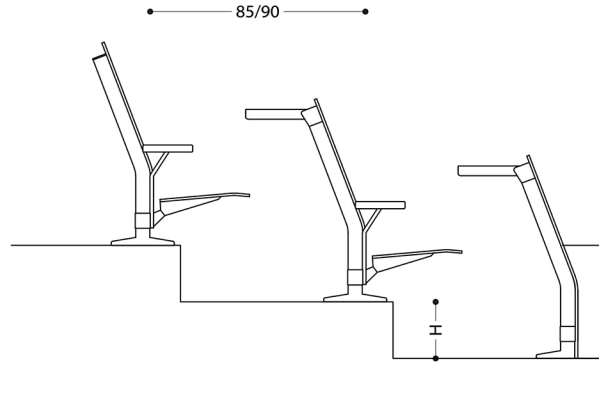
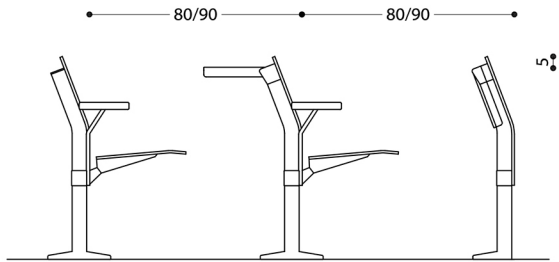
INTERMEDIATE ROW



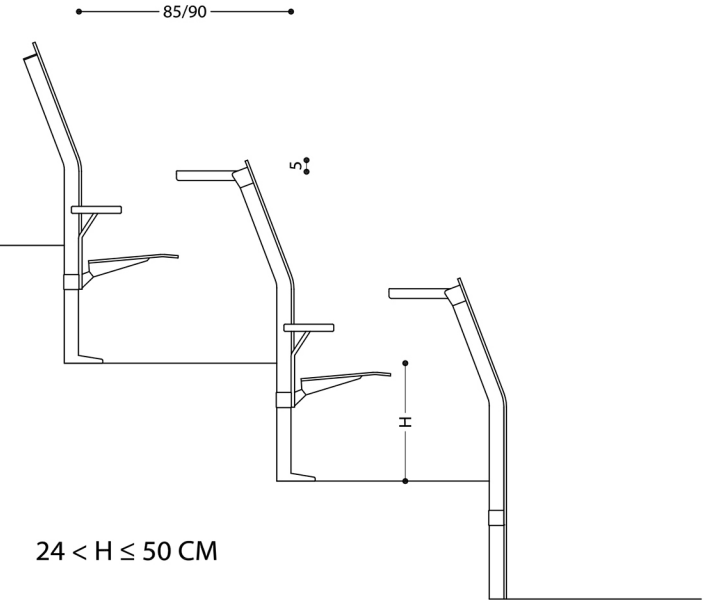
END ROW



E4000 tip-up table with arms



$H \leq 24 \text{ CM}$



$24 < H \leq 50 \text{ CM}$

E4000 tip-up table with arms

