

LAB S71

Karri Monni | 2014



LAB

Karri Monni | 2014

Dynamic and focused like a contemporary working day. With its backrest and height adjustment, the LAB stool has the “shape” to adapt to any needs in the office. A classic of industrial design, it features the latest colours and a modern profile.



LAB

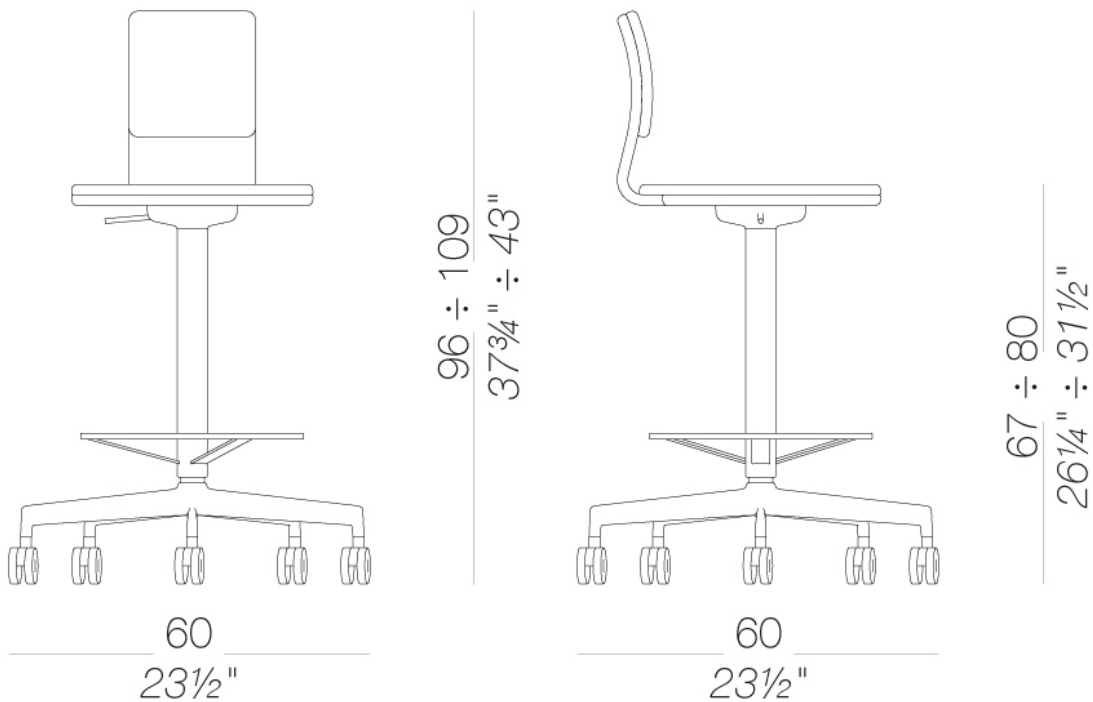
Karri Monni | 2014

S71 with backrest and footrest H67 ÷ 80

LAB | S70 S71 S72 S73

Swivel stool with height adjustable die-cast aluminium base, sandblasted or powder coated, and self-braking castors. Seat and backrest in fire-retardant polyurethane foam upholstered with fabric, soft leather or eco-leather. Height adjustable backrest.

TEST 1 IM - Hallingdal



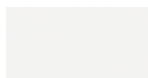
LAB S71

Karri Monni | 2014

frame



powder coating
black
1 Colors



powder coating
white
1 Colors



metal
aluminium
1 Colors

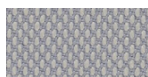
upholstery



fabric
Hallingdal 65
47 Colors



fabric
Canvas 2
40 Colors



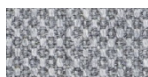
fabric
Steelcut Trio 3
48 Colors



fabric
Remix 2
24 Colors



fabric
Clara 2
24 Colors



fabric
Fiord
24 Colors



fabric
Divina MD
24 Colors



fabric
Divina Melange 2
24 Colors



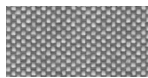
fabric
Tonica 2
39 Colors



fabric
Medley
37 Colors



fabric
Swing
24 Colors



fabric
Maya
43 Colors



fabric
Jet
44 Colors



fabric
Laser J Flash
24 Colors



soft-leather
soft-leather
7 Colors



ecoleather
GRIMM FR
24 Colors

consult the portfolio for the range of colors, fabrics, eco-leather, soft-leather.

use and maintenance instructions

Clean all parts in wood, leather, fabric and metal with a damp cloth or a diluted neutral cleaner. Do not use cleaners with alcohol, bleach, solvent or abrasive products. Any liquid spilt on the product must be wiped up immediately. When lifting or moving the product, hold it on the structure and not under the seat. The product should not be subjected to unbalanced weights, as it is designed for a proper rest on the foothold (on four legs or on the base). Our company relieves from any responsibility in case of damage caused to fragile floors. Avoid any improper use of the product: do not step on the product, on the footrest or on the armrests. Avoid any movements that could compromise the proper functionality of the product or the safety of the users. Wood and leather, being natural materials, could be easily damaged. Small impurities or imperfections are within quality standard range. Do not expose the product to weather conditions or atmospheric agents, nor to heat sources over 40°C. Also products for outdoor use could be afflicted by atmospheric agents. The product could undergo possible exterior changes due to particular exposure to heat, humidity and saltiness. An appropriate and frequent maintenance and cleaning of the product enhances its durability. The product could change colour and shade, if exposed to direct sunlight. Maintenance has to be carried out by experienced staff. Dispose of the package only after assembling the product, in order to avoid the loss of ironmongery and components. Once the product has been dismantled, the product itself or its components must be given to the public garbage disposal system, according to the legislation in force.