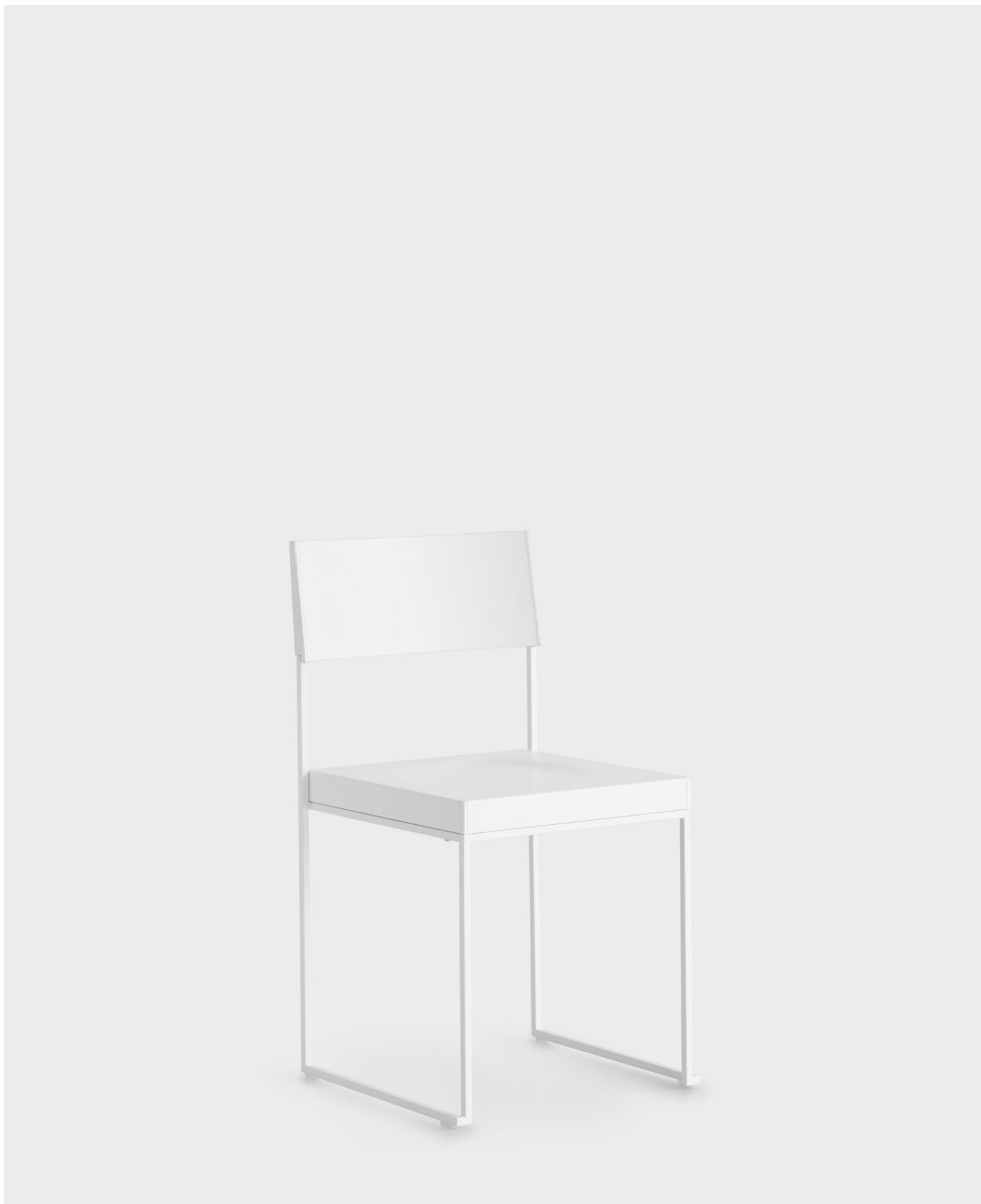


# CUBA + CUBO CUBA

Enzo Berti | 1998



# CUBA + CUBO

Enzo Berti | 1998

The combination of a narrow line and a square has led to a rigorously attractive system of chairs and stools with extraordinary minimalism, thanks to a shaped seat and the sinuous curve of the backrest.

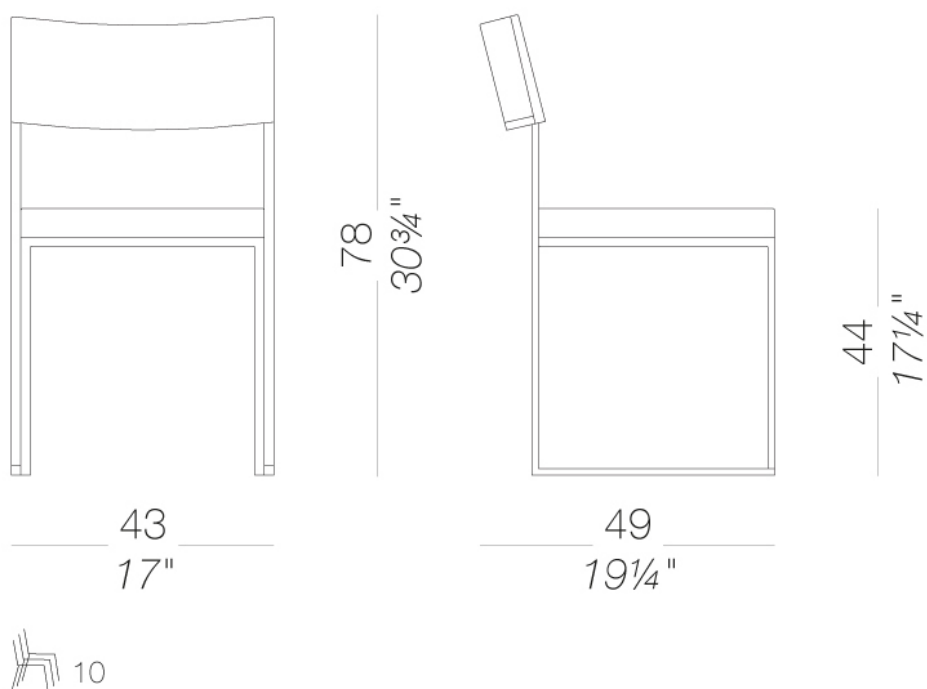


# CUBA + CUBO

Enzo Berti | 1998

## CUBA With wood or hide seat

Stackable chair with metal frame of mat chromed steel or powder coated white or black. Seat and back in several wooden finishes or covered in leather with top stitching. If stacked, we suggest to protect the seat in leather.



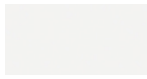
# CUBA + CUBO CUBA

Enzo Berti | 1998

## frame



powder coating  
black  
1 Colors



powder coating  
white  
1 Colors



metal  
mat chromed  
1 Colors

## seat/back



wood  
blanché beech  
1 Colors



wood  
beech dark walnut  
1 Colors



lacquered  
lacquered  
2 Colors



leather  
leather  
7 Colors

**consult the portfolio for the range of colors, fabrics, eco-leather, soft-leather.**

### use and maintenance instructions

Clean all parts in wood, leather, fabric and metal with a damp cloth or a diluted neutral cleaner. Do not use cleaners with alcohol, bleach, solvent or abrasive products. Any liquid spilt on the product must be wiped up immediately. When lifting or moving the product, hold it on the structure and not under the seat. The product should not be subjected to unbalanced weights, as it is designed for a proper rest on the foothold (on four legs or on the base). Our company relieves from any responsibility in case of damage caused to fragile floors. Avoid any improper use of the product: do not step on the product, on the footrest or on the armrests. Avoid any movements that could compromise the proper functionality of the product or the safety of the users. Wood and leather, being natural materials, could be easily damaged. Small impurities or imperfections are within quality standard range. Do not expose the product to weather conditions or atmospheric agents, nor to heat sources over 40°C. Also products for outdoor use could be afflicted by atmospheric agents. The product could undergo possible exterior changes due to particular exposure to heat, humidity and saltiness. An appropriate and frequent maintenance and cleaning of the product enhances its durability. The product could change colour and shade, if exposed to direct sunlight. Maintenance has to be carried out by experienced staff. Dispose of the package only after assembling the product, in order to avoid the loss of ironmongery and components. Once the product has been dismantled, the product itself or its components must be given to the public garbage disposal system, according to the legislation in force.