

YO T80_R | Rectangular side table

Romano Marcato | 2016



YO

Romano Marcato | 2016

Recalling the sign of victory, the YO table is successful thanks to its versatility, meeting all needs as a top in work and relaxation spaces. Thanks to its off-centre base and its Y-shaped leg, the tabletop, available in various geometric shapes, perfectly aligns with armchairs and sofas. Height-adjustable, it is as handy as a small desk.

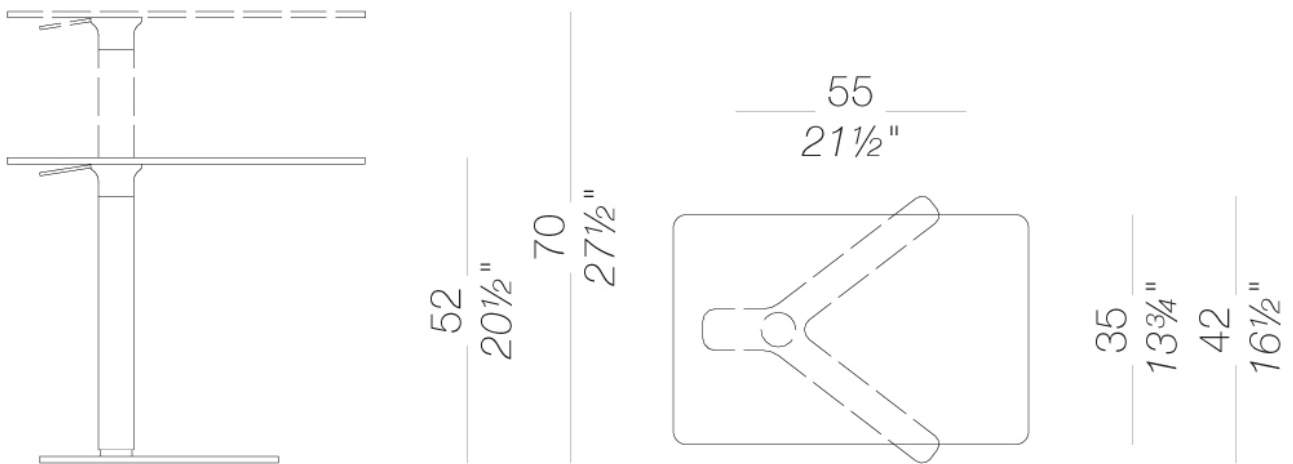


YO

Romano Marcato | 2016

T80_R | Rectangular side table Height-adjustable 55x35 H.52÷70

Side table with height adjustable top in several finishes. Metal base and column powder coated.



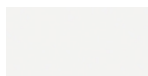
YO T80_R | Rectangular side table

Romano Marcato | 2016

frame



powder coating
black
1 Colors



powder coating
white
1 Colors

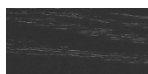
top



HPL 10 mm
HPL fenix
2 Colors



wood
blanched oak
1 Colors



wood
black open pore
1 Colors



wood
oak dark walnut
1 Colors

consult the portfolio for the range of colors, fabrics, eco-leather, soft-leather.

use and maintenance instructions

Clean all parts in wood, leather, fabric and metal with a damp cloth or a diluted neutral cleaner. Do not use cleaners with alcohol, bleach, solvent or abrasive products. Any liquid spilt on the product must be wiped up immediately. When lifting or moving the product, hold it on the structure and not under the seat. The product should not be subjected to unbalanced weights, as it is designed for a proper rest on the foothold (on four legs or on the base). Our company relieves from any responsibility in case of damage caused to fragile floors. Avoid any improper use of the product: do not step on the product, on the footrest or on the armrests. Avoid any movements that could compromise the proper functionality of the product or the safety of the users. Wood and leather, being natural materials, could be easily damaged. Small impurities or imperfections are within quality standard range. Do not expose the product to weather conditions or atmospheric agents, nor to heat sources over 40°C. Also products for outdoor use could be afflicted by atmospheric agents. The product could undergo possible exterior changes due to particular exposure to heat, humidity and saltiness. An appropriate and frequent maintenance and cleaning of the product enhances its durability. The product could change colour and shade, if exposed to direct sunlight. Maintenance has to be carried out by experienced staff. Dispose of the package only after assembling the product, in order to avoid the loss of ironmongery and components. Once the product has been dismantled, the product itself or its components must be given to the public garbage disposal system, according to the legislation in force.