

# ARIA S42 | Outdoor chair

Romano Marcato | 2007



# ARIA

Romano Marcato | 2007

This chair not only recalls the lightness of air in its name but also in its essential design and the reduced weight of its materials. Ideal for outdoor use and perfect in any natural environment, this chair combines a strong stainless steel frame with the optimum adaptability of the cord around the perimeter of the backrest and its large square seat. This chair, the version with armrests and the stool version are all stackable. Where horizons open up, you can find ARIA.



# ARIA

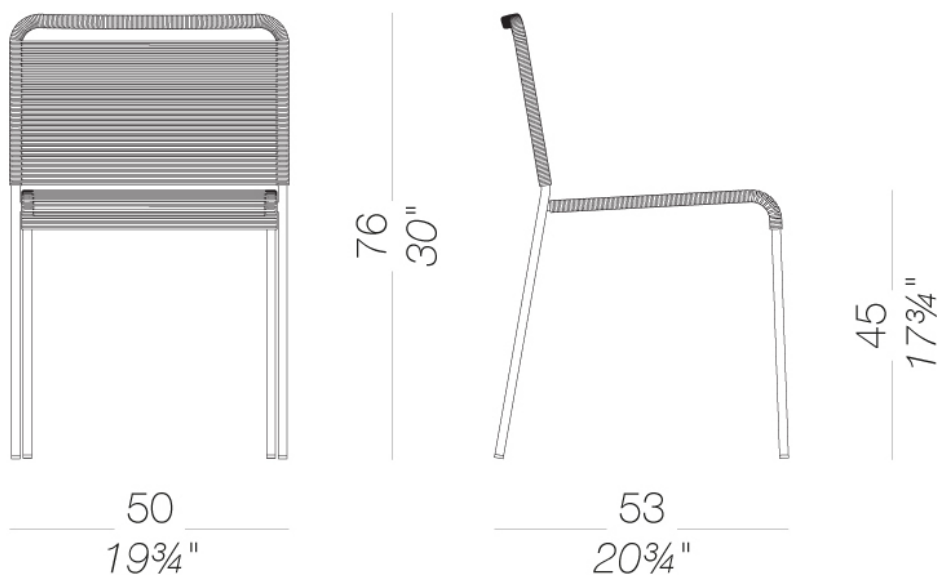
Romano Marcato | 2007



**S42 | Outdoor chair Stackable and in stainless steel** 

**ARIA | S42 S43**

Stackable chair with or without arms, in stainless steel Aisi 316L sandblasted or powder coated white or black. Seat and back are handmade with cord in double polyester twisted thread with a cotton finishing. The stool is available in the same finish.



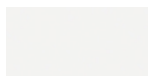
# ARIA S42 | Outdoor chair

Romano Marcato | 2007

## frame



powder coating  
black  
1 Colors



powder coating  
white  
1 Colors



metal  
stainless steel  
1 Colors

## seat/back



cord  
cord  
3 Colors

**consult the portfolio for the range of colors, fabrics, eco-leather, soft-leather.**

### use and maintenance instructions

Clean all parts in wood, leather, fabric and metal with a damp cloth or a diluted neutral cleaner. Do not use cleaners with alcohol, bleach, solvent or abrasive products. Any liquid spilt on the product must be wiped up immediately. When lifting or moving the product, hold it on the structure and not under the seat. The product should not be subjected to unbalanced weights, as it is designed for a proper rest on the foothold (on four legs or on the base). Our company relieves from any responsibility in case of damage caused to fragile floors. Avoid any improper use of the product: do not step on the product, on the footrest or on the armrests. Avoid any movements that could compromise the proper functionality of the product or the safety of the users. Wood and leather, being natural materials, could be easily damaged. Small impurities or imperfections are within quality standard range. Do not expose the product to weather conditions or atmospheric agents, nor to heat sources over 40°C. Also products for outdoor use could be afflicted by atmospheric agents. The product could undergo possible exterior changes due to particular exposure to heat, humidity and saltiness. An appropriate and frequent maintenance and cleaning of the product enhances its durability. The product could change colour and shade, if exposed to direct sunlight. Maintenance has to be carried out by experienced staff. Dispose of the package only after assembling the product, in order to avoid the loss of ironmongery and components. Once the product has been dismantled, the product itself or its components must be given to the public garbage disposal system, according to the legislation in force.