

CONTINUUM

Fabio Bortolani | 2011



CONTINUUM

Fabio Bortolani | 2011

It has never changed since 1899, the year it was invented. But nobody could imagine that the paper clip, one of the most common objects in the office, could be combined with the creativity of Fabio Bortolani and transformed into a stool. Its beautiful shape comes from a metal band, which, with its essential design, softly and seamlessly shapes the seat and the footrest.



CONTINUUM

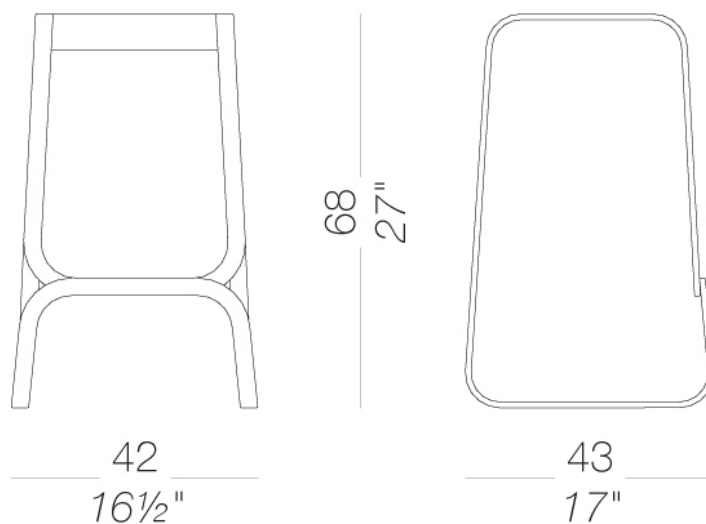
Fabio Bortolani | 2011



S107 for the home or restaurants H68

Stool in two heights with frame in powder coated steel. The curved seat, gently following the frame, is available in several finishes or upholstered with soft leather.

TEST EN 1728:2000 6.2.1-6.2.2 - EN 15373:2007 - L3 severe



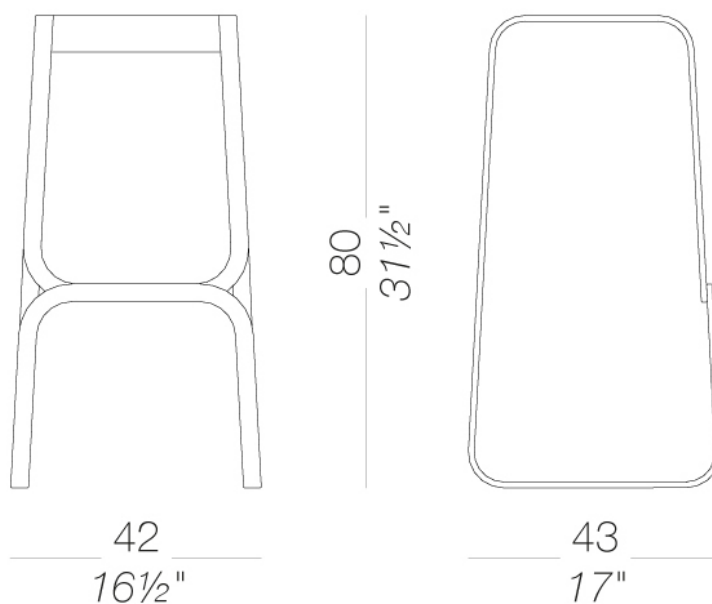
CONTINUUM

Fabio Bortolani | 2011

S108 for the home or restaurants H80

Stool in two heights with frame in powder coated steel. The curved seat, gently following the frame, is available in several finishes or upholstered with soft leather.

TEST EN 1728:2000 6.2.1-6.2.2 - EN 15373:2007 - L3 severe



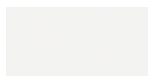
CONTINUUM

Fabio Bortolani | 2011

frame



powder coating
black
1 Colors

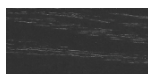


powder coating
white
1 Colors

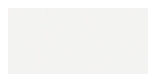
seat



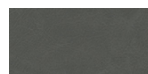
wood
blanched oak
1 Colors



wood
black open pore
1 Colors



lacquered
white lacquered
1 Colors



soft-leather
soft-leather
7 Colors

consult the portfolio for the range of colors, fabrics, eco-leather, soft-leather.

use and maintenance instructions

Clean all parts in wood, leather, fabric and metal with a damp cloth or a diluted neutral cleaner. Do not use cleaners with alcohol, bleach, solvent or abrasive products. Any liquid spilt on the product must be wiped up immediately. When lifting or moving the product, hold it on the structure and not under the seat. The product should not be subjected to unbalanced weights, as it is designed for a proper rest on the foothold (on four legs or on the base). Our company relieves from any responsibility in case of damage caused to fragile floors. Avoid any improper use of the product: do not step on the product, on the footrest or on the armrests. Avoid any movements that could compromise the proper functionality of the product or the safety of the users. Wood and leather, being natural materials, could be easily damaged. Small impurities or imperfections are within quality standard range. Do not expose the product to weather conditions or atmospheric agents, nor to heat sources over 40°C. Also products for outdoor use could be afflicted by atmospheric agents. The product could undergo possible exterior changes due to particular exposure to heat, humidity and saltiness. An appropriate and frequent maintenance and cleaning of the product enhances its durability. The product could change colour and shade, if exposed to direct sunlight. Maintenance has to be carried out by experienced staff. Dispose of the package only after assembling the product, in order to avoid the loss of ironmongery and components. Once the product has been dismantled, the product itself or its components must be given to the public garbage disposal system, according to the legislation in force.