

# Kinesit

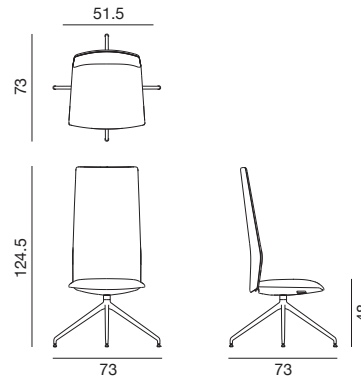
Design by Lievore Altherr Molina, 2014

## Art. 4836

Chair with aluminum swivel trestle base on glides. Seat with built-in self-tensioning weight response mechanism, backrest with 3-position recline. High back and seat completely upholstered in leather, customer's leather, faux leather, fabric or customer's fabric. Fixed or 2D adjustable armrests in nylon fiber, color matching with backshell, are available upon request and with a surcharge.



### Dimensions \*



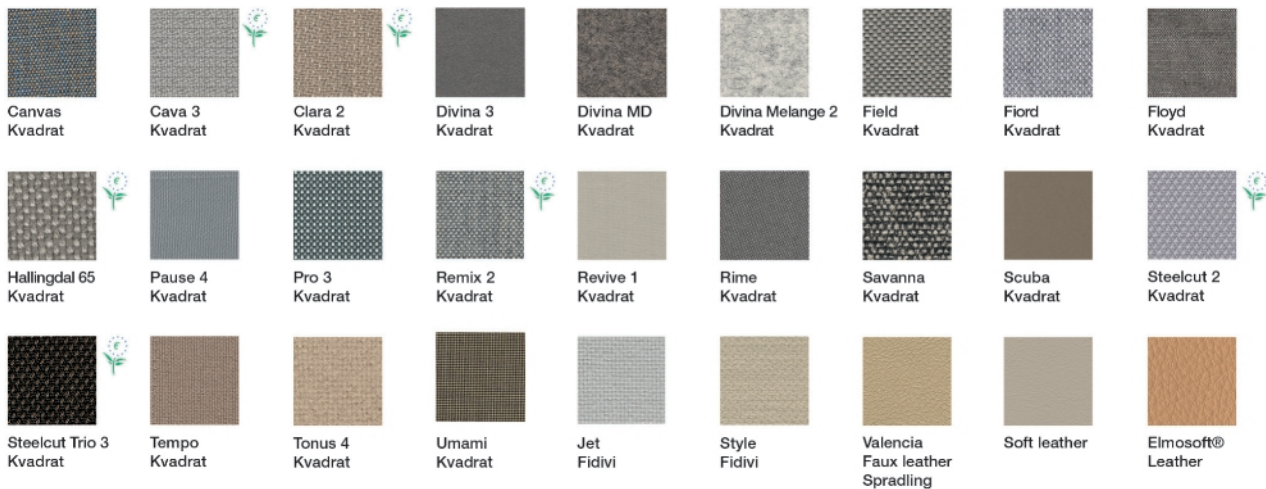
\* File CAD 2D - 3D available for download at [www.arper.com](http://www.arper.com)

### Frame Base



### Shell

#### Carded In



#### Graded In

**kvadrat**

**camira**



DESIGN  
TEX



**Gabriel**



**svensson**

**maharam**

**Serge Ferrari**

# Kinesit

Design by Lievore Altherr Molina, 2014

---

## Accessories:



Set of glides Art. 2015



Armrest 2D



Armrest

---

## SHIPMENT DETAILS

**Art.4836**

1 pz = 1  - kg 24/ m³ 0,55

---

## TECHNICAL SPECIFICATIONS

**Art.4836**

COL requirement m² 3.3

H 140 cm. COM Meterage ml 1.76

---

## RESISTANCE TEST

---

## FIRE RETARDANT TEST

---

## ENVIRONMENTAL CERTIFICATIONS



arper

F +39 0422 791800

T +39 0422 7918

www.arper.com