

Saya Mini

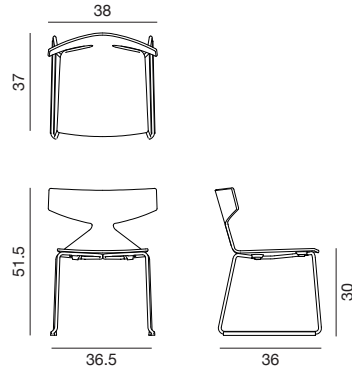
Design by Lievore Altherr Molina, 2013

Art. 3705

Mini-sized chair with chromed steel sled base and curved plywood shell, available in several colors. Glides with felt insert for wood floors are provided upon request.

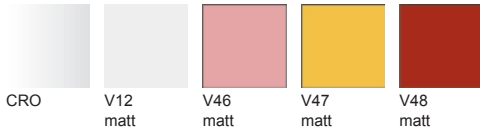


Dimensions *



* File CAD 2D - 3D available for download at www.arper.com

Frame Base



Shell

arper

F +39 0422 791800

T +39 0422 7918

www.arper.com

Saya Mini

Design by Lievore Altherr Molina, 2013

SHIPMENT DETAILS

Art.3705

1 pz = 2  - kg 4,4/ m³ 0,14

RESISTANCE TEST

- EN 1728:2000 - EN 13761:2002 6.7
- EN 1728:2000 - UNI EN 1729-2:2012 5.3.2
- EN 1728:2000 - UNI EN 1729-2:2012 5.3.8
- NF D60-300-2:2008 6.2.5
- EN 1728:2000 - UNI EN 1729-2:2012 5. 2
- EN 1728:2000 - UNI EN 1729-2:2012 5.3.7
- NF D60-300-2:2008 6.2.3
- NF D60-300-2:2008 6.2.6

FIRE RETARDANT TEST

ENVIRONMENTAL CERTIFICATIONS



Stackability:

– Up to 10 pcs. (should the weight exceed 25 kilos a handling tool must be used).

arper

F +39 0422 791800

T +39 0422 7918

www.arper.com