

Saya

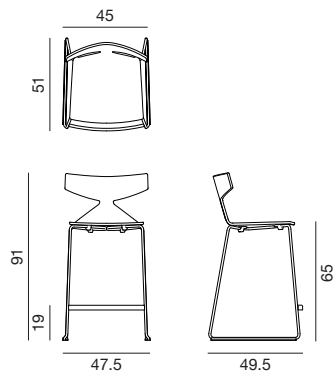
Design by Lievore Altherr Molina, 2013

Art. 3703

Stool with chromed steel sled base and curved plywood shell, available in several colors. Glides with felt insert for wood floors are provided upon request. Height 65 cm.



Dimensions *



* File CAD 2D - 3D available for download at www.arper.com

Frame Base



Shell

arper

F +39 0422 791800

T +39 0422 7918


www.arper.com


Saya

Design by Lievore Altherr Molina, 2013

SHIPMENT DETAILS

Art.3703

1 pz = 2  - kg 10,74/ m³ 0,36

4 pz = 2  - kg 31,42/ m³ 0,41

RESISTANCE TEST

FIRE RETARDANT TEST

ENVIRONMENTAL CERTIFICATIONS



Stackability:

– Up to 10 pcs. (should the weight exceed 25 kilos a handling tool must be used).

arper

F +39 0422 791800

T +39 0422 7918

www.arper.com

Saya

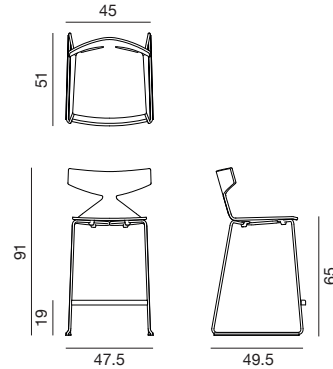
Design by Lievore Altherr Molina, 2013

Art. 3708

Stool with chromed steel sled base and curved plywood shell entirely upholstered in fabric, leather, faux leather or customer's material. Glides with felt insert for wood floors are provided upon request. Height 65 cm.



Dimensions *



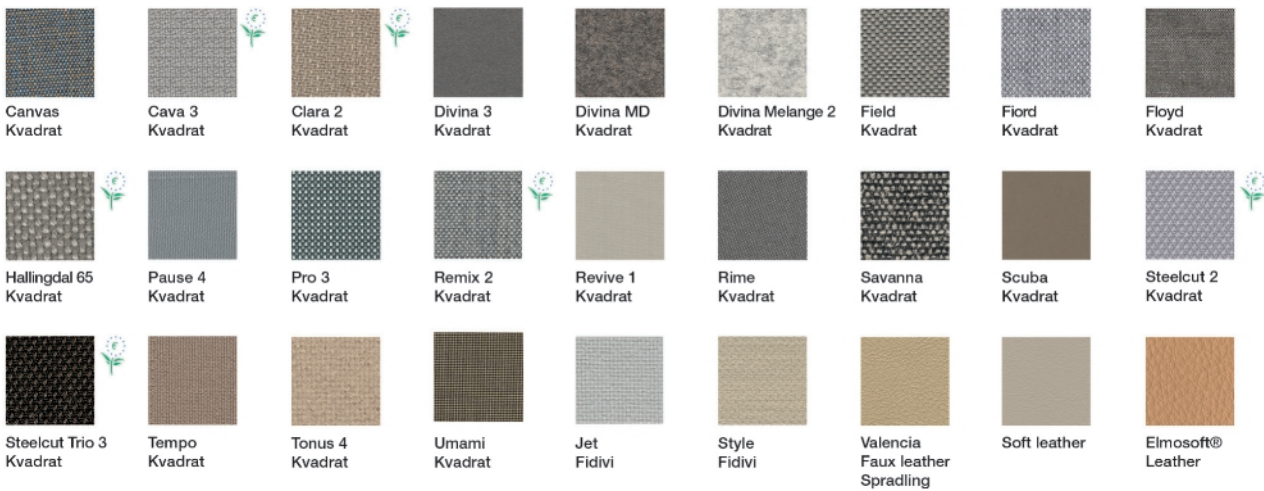
* File CAD 2D - 3D available for download at www.arper.com

Frame Base



Shell

Carded In



Graded In

kvadrat

camira



DESIGN
TEX



Gabriel



svensson

maharam


Serge Ferrari


Saya

Design by Lievore Altherr Molina, 2013

SHIPMENT DETAILS

Art.3708

1 pz = 2  - kg 10,74/ m³ 0,36

4 pz = 2  - kg 31,42/ m³ 0,41

TECHNICAL SPECIFICATIONS

Art.3708

COL requirement m² 1.92

H 140 cm. COM Meterage ml 0.97

RESISTANCE TEST

FIRE RETARDANT TEST

Classe 1M Faux leather Valencia • California TB117-2013 Cava 3 Clara Canvas Divina MD Divina Melange 2 Divina 3 Soft leather Elmosoft Field Hallingdal 65 Jet Jumper 3 Pro 3 Soft leather Pause 4 Remix 2 Savanna Steelcut 2 Scuba Steelcut Trio 2 Steelcut Trio 3 Sunniva Sunniva 2 Tonus 4 Tempo Faux leather Valencia • BS5852 Sch. 4 Part 1 Faux leather Valencia • BS5852 Sch. 5 Part 1 Cava 3 Clara Canvas Divina MD Divina Melange 2 Divina 3 Soft leather Elmosoft Hallingdal 65 Soft leather Remix 2 Savanna Steelcut 2 Steelcut Trio 2 Steelcut Trio 3 Tonus 4 Faux leather Valencia

ENVIRONMENTAL CERTIFICATIONS



arper

F +39 0422 791800

T +39 0422 7918

www.arper.com

Saya

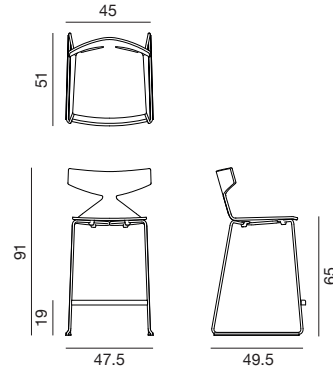
Design by Lievore Altherr Molina, 2013

Art. 3712

Stool with chromed steel sled base and curved plywood shell. It is available in several colors and with fabric, leather, faux leather or customer's material upholstered cushion applied on the seat. Glides with felt insert for wood floors are provided upon request. Height 65 cm.



Dimensions *



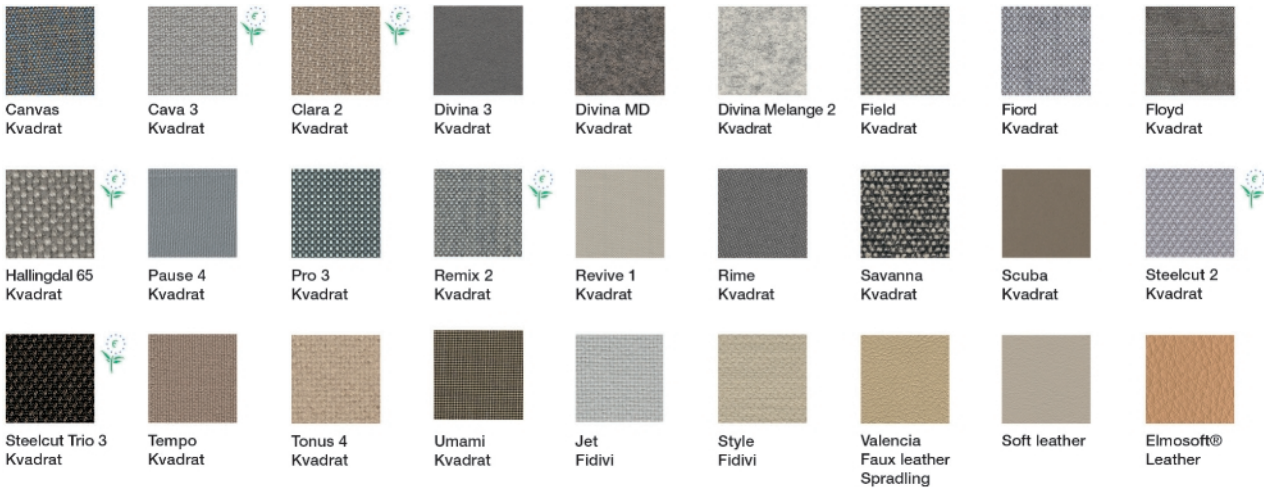
* File CAD 2D - 3D available for download at www.arper.com

Frame Base



Shell

Carded In



Graded In

kvadrat

camira



DESIGN
TEX



Gabriel



svensson

maharam


Serge Ferrari


Saya

Design by Lievore Altherr Molina, 2013

SHIPMENT DETAILS

Art.3712

1 pz = 2  - kg 10,74/ m³ 0,36

4 pz = 2  - kg 31,42/ m³ 0,41

TECHNICAL SPECIFICATIONS

Art.3712

COL requirement m² 0.56

H 140 cm. COM Meterage ml 0.48

RESISTANCE TEST

FIRE RETARDANT TEST

Classe 1M Faux leather Valencia • California TB117-2013 Cava 3 Clara Canvas Divina MD Divina Melange 2 Divina 3 Soft leather Elmosoft Field Hallingdal 65 Jet Jumper 3 Pro 3 Soft leather Pause 4 Remix 2 Savanna Steelcut 2 Scuba Steelcut Trio 2 Steelcut Trio 3 Sunniva Sunniva 2 Tonus 4 Tempo Faux leather Valencia • BS5852 Sch. 4 Part 1 Faux leather Valencia • BS5852 Sch. 5 Part 1 Cava 3 Clara Canvas Divina MD Divina Melange 2 Divina 3 Soft leather Elmosoft Hallingdal 65 Soft leather Remix 2 Savanna Steelcut 2 Steelcut Trio 2 Steelcut Trio 3 Tonus 4 Faux leather Valencia

ENVIRONMENTAL CERTIFICATIONS



arper

F +39 0422 791800

T +39 0422 7918

www.arper.com