

# Saya

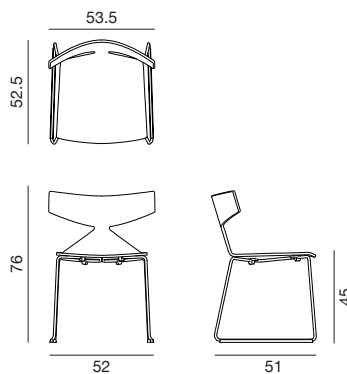
Design by Lievore Altherr Molina, 2013

## Art. 3702

Chair with chromed steel sled base and curved plywood shell, available in several colors. Glides with felt insert for wood floors are provided upon request.



### Dimensions \*



\* File CAD 2D - 3D available for download at [www.arper.com](http://www.arper.com)

### Frame Base



### Shell

arper

F +39 0422 791800

T +39 0422 7918

[www.arper.com](http://www.arper.com)

# Saya


Design by Lievore Altherr Molina, 2013


---

---

## SHIPMENT DETAILS

### Art.3702

1 pz = 2  - kg 11,66/ m<sup>3</sup> 0,3

4 pz = 2  - kg 32,22/ m<sup>3</sup> 0,41

---

## RESISTANCE TEST

## FIRE RETARDANT TEST

---

## ENVIRONMENTAL CERTIFICATIONS



### Stackability:

– Up to 10 pcs. (should the weight exceed 25 kilos a handling tool must be used).

arper

F +39 0422 791800

T +39 0422 7918

www.arper.com

# Saya

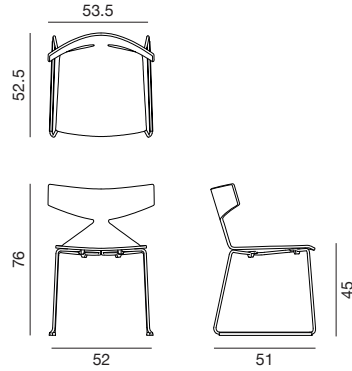
Design by Lievore Altherr Molina, 2013

## Art. 3707

Chair with chromed steel sled base and curved plywood shell entirely upholstered in fabric, leather, faux leather or customer's material. Glides with felt insert for wood floors are provided upon request.



### Dimensions \*



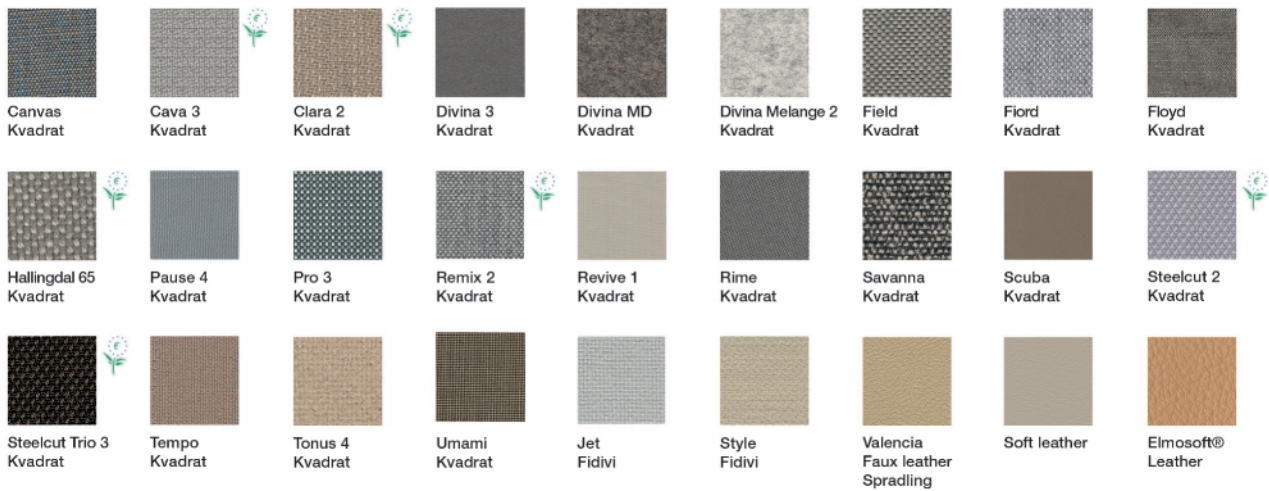
\* File CAD 2D - 3D available for download at [www.arper.com](http://www.arper.com)

### Frame Base



### Shell

#### Carded In



#### Graded In

**kvadrat**

**camira**



DESIGN  
TEX



**Gabriel**



**svensson**

**maharam**

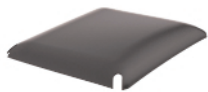
**Serge Ferrari**

# Saya

## Design by Lievore Altherr Molina, 2013

---

### Accessories:





Stacking protection Pad Art.  
3716

---

### SHIPMENT DETAILS

#### Art.3707

1 pz = 2  - kg 11,66/ m<sup>2</sup> 0,3

4 pz = 2  - kg 32,22/ m<sup>2</sup> 0,41

---

### RESISTANCE TEST

---

### ENVIRONMENTAL CERTIFICATIONS



---

### TECHNICAL SPECIFICATIONS

#### Art.3707

COL requirement m<sup>2</sup> 2,58

H 140 cm. COM Meterage ml 1.05

---

### FIRE RETARDANT TEST

Classe 1M Faux leather Valencia • California TB117-2013 Cava 3 Clara Canvas Divina MD Divina Melange 2 Divina 3 Soft leather Elmosoft Field Hallingdal 65 Jet Jumper 3 Pro 3 Soft leather Pause 4 Remix 2 Savanna Steelcut 2 Scuba Steelcut Trio 2 Steelcut Trio 3 Sunniva Sunniva 2 Tonus 4 Tempo Faux leather Valencia • BS5852 Sch. 4 Part 1 Faux leather Valencia • BS5852 Sch. 5 Part 1 Cava 3 Clara Canvas Divina MD Divina Melange 2 Divina 3 Soft leather Elmosoft Hallingdal 65 Soft leather Remix 2 Savanna Steelcut 2 Steelcut Trio 2 Steelcut Trio 3 Tonus 4 Faux leather Valencia

---

### Stackability:

– With stacking protection pad: up to 6 pcs. (should the weight exceed 25 kilos a handling tool must be used).

arper

F +39 0422 791800

T +39 0422 7918

www.arper.com

# Saya

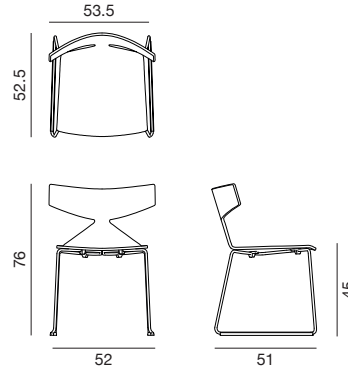
Design by Lievore Altherr Molina, 2013

## Art. 3711

Chair with chromed steel sled base and curved plywood shell. It is available in several colors and with fabric, leather, faux leather or customer's material upholstered cushion applied on the seat. Glides with felt insert for wood floors are provided upon request.



### Dimensions \*



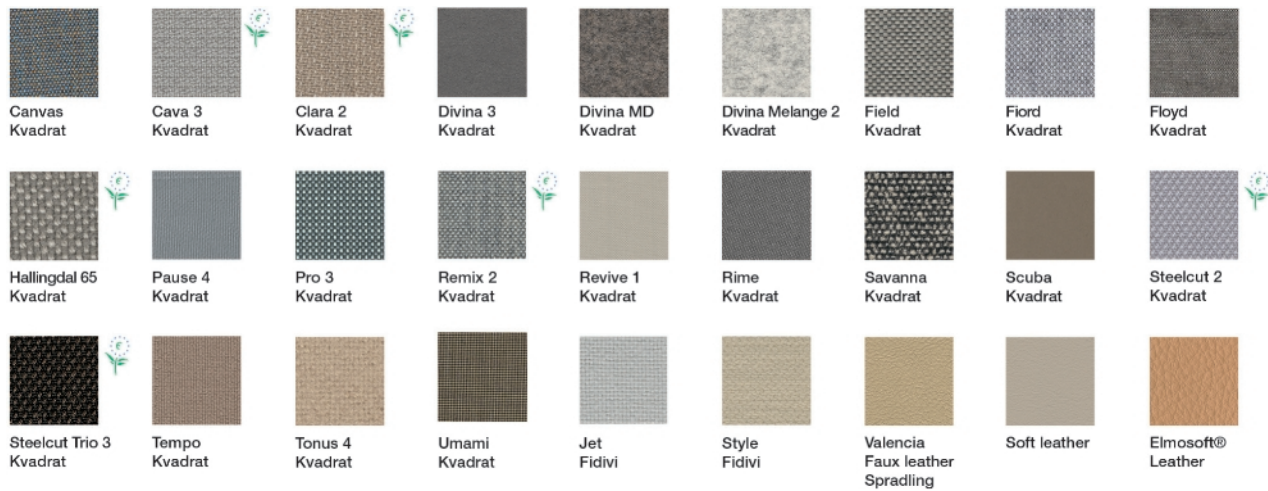
\* File CAD 2D - 3D available for download at [www.arper.com](http://www.arper.com)

### Frame Base



### Shell

#### Carded In



#### Graded In

**kvadrat**

**camira**



DESIGN  
TEX



**Gabriel**



**svensson**

**maharam**

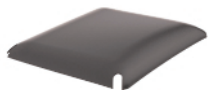
**Serge Ferrari**

# Saya

## Design by Lievore Altherr Molina, 2013

---

### Accessories:





Stacking protection Pad Art.  
3716

---

### SHIPMENT DETAILS

#### Art.3711

1 pz = 2  - kg 11,66/ m<sup>2</sup> 0,3

4 pz = 2  - kg 32,22/ m<sup>2</sup> 0,41

---

### RESISTANCE TEST

---

### ENVIRONMENTAL CERTIFICATIONS



---

### TECHNICAL SPECIFICATIONS

#### Art.3711

COL requirement m<sup>2</sup> 0,67

H 140 cm. COM Meterage ml 0,59

---

### FIRE RETARDANT TEST

Classe 1IM Faux leather Valencia • California TB117-2013 Cava 3 Clara Canvas Divina MD Divina Melange 2 Divina 3 Soft leather Elmosoft Field Hallingdal 65 Jet Jumper 3 Pro 3 Soft leather Pause 4 Remix 2 Savanna Steelcut 2 Scuba Steelcut Trio 2 Steelcut Trio 3 Sunniva Sunniva 2 Tonus 4 Tempo Faux leather Valencia • BS5852 Sch. 4 Part 1 Faux leather Valencia • BS5852 Sch. 5 Part 1 Cava 3 Clara Canvas Divina MD Divina Melange 2 Divina 3 Soft leather Elmosoft Hallingdal 65 Soft leather Remix 2 Savanna Steelcut 2 Steelcut Trio 2 Steelcut Trio 3 Tonus 4 Faux leather Valencia

---

### Stackability:

– With stacking protection pad: up to 6 pcs. (should the weight exceed 25 kilos a handling tool must be used).

arper

F +39 0422 791800

T +39 0422 7918

www.arper.com