

Saari GC

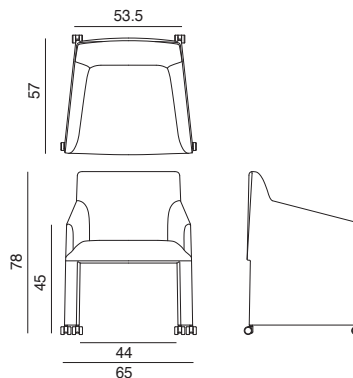
Design by Lievore Altherr Molina, 2014

Art. 2725 2730

Armchair (65 cm wide seat) with plywood and metal frame shell on castors, upholstered in leather, faux leather, fabric or customer's own material.

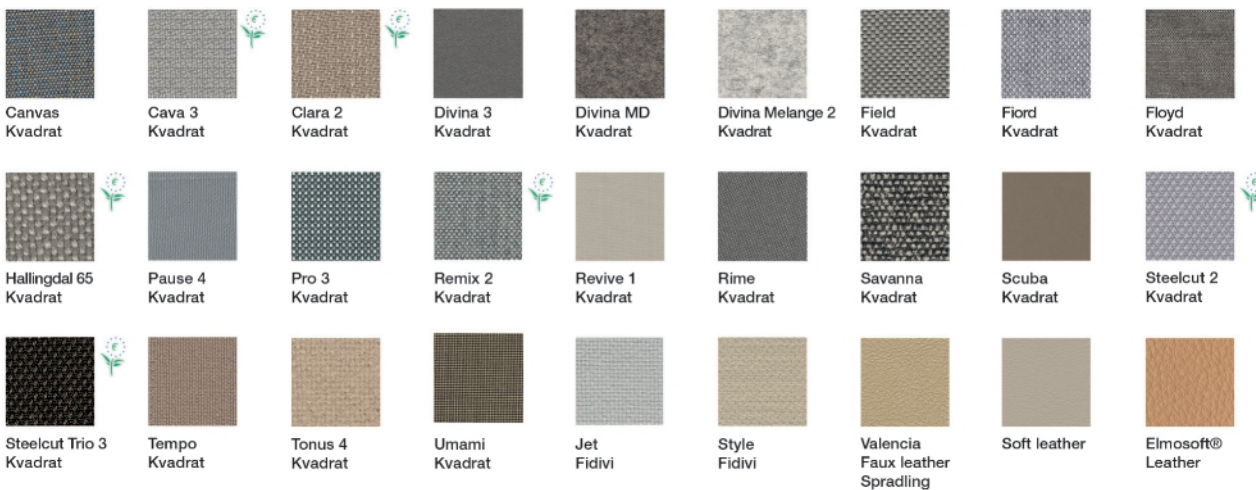


Dimensions *



* File CAD 2D - 3D available for download at www.arper.com

Carded In



Graded In

kvadrat

camira



DESIGN
TEX



Gabriel



svensson

maharam


Serge Ferrari

Saari GC

Design by Lievore Altherr Molina, 2014

SHIPMENT DETAILS

Art.2730

1 pz = 1  - kg 16,98/ m² 0,35

TECHNICAL SPECIFICATIONS

Art.2725

COL requirement m² 4.8

H 140 cm. COM Meterage ml 2.59

arper

F +39 0422 791800

T +39 0422 7918

www.arper.com

Saari GC

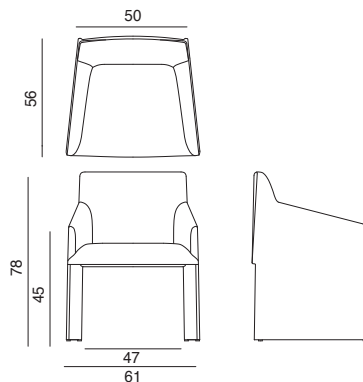
Design by Lievore Altherr Molina, 2014

Art. 2726 2728

Armchair (61 cm wide seat) with plywood and metal frame shell on glides, upholstered in leather, faux leather, fabric or customer's own material. It is provided with glides with felt insert for wood floors.

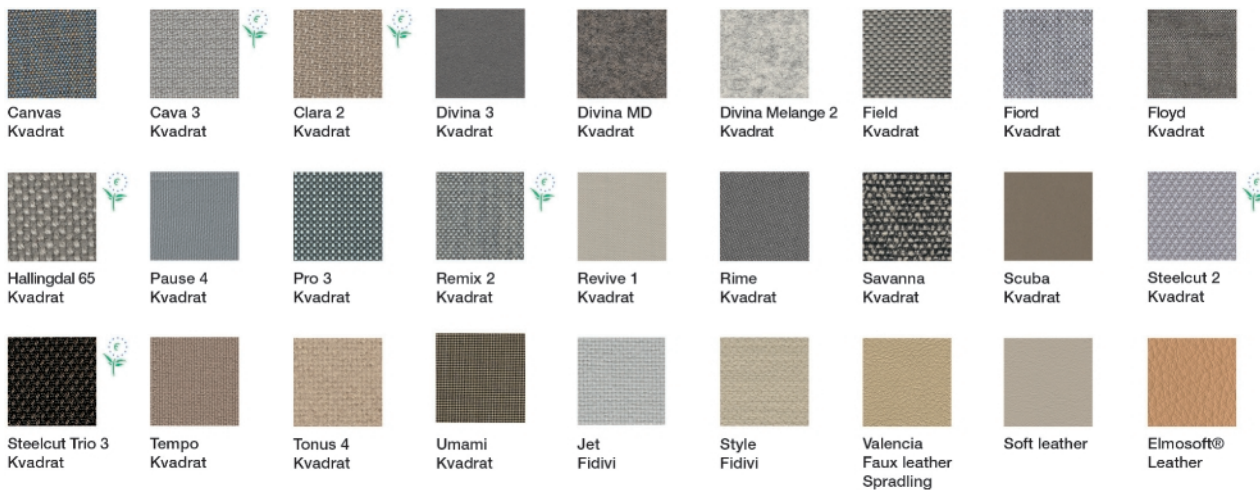


Dimensions *



* File CAD 2D - 3D available for download at www.arper.com

Carded In



Graded In

kvadrat

camira



DESIGN
TEX



Gabriel



svensson

maharam


Serge Ferrari


Saari GC

Design by Lievore Altherr Molina, 2014

SHIPMENT DETAILS

Art.2726

1 pz = 1  - kg 16,98/ m³ 0,35

1 pz = 1  - kg 5/ m³ 0,21

TECHNICAL SPECIFICATIONS

Art.2726

COL requirement m² 4.8

H 140 cm. COM Meterage ml 2.59

arper

F +39 0422 791800

T +39 0422 7918

www.arper.com