

Saari

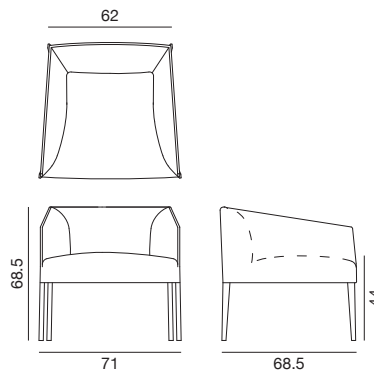
Design by Lievore Altherr Molina, 2009

Art. 2710 2715

Armchair (71 cm wide seat) with polished, powdercoated or veneered four leg base. Upholstered shell with metal and plywood frame, upholstery available in leather, faux leather, fabric or customer's material. Fully removable cover version available upon request without surcharge.

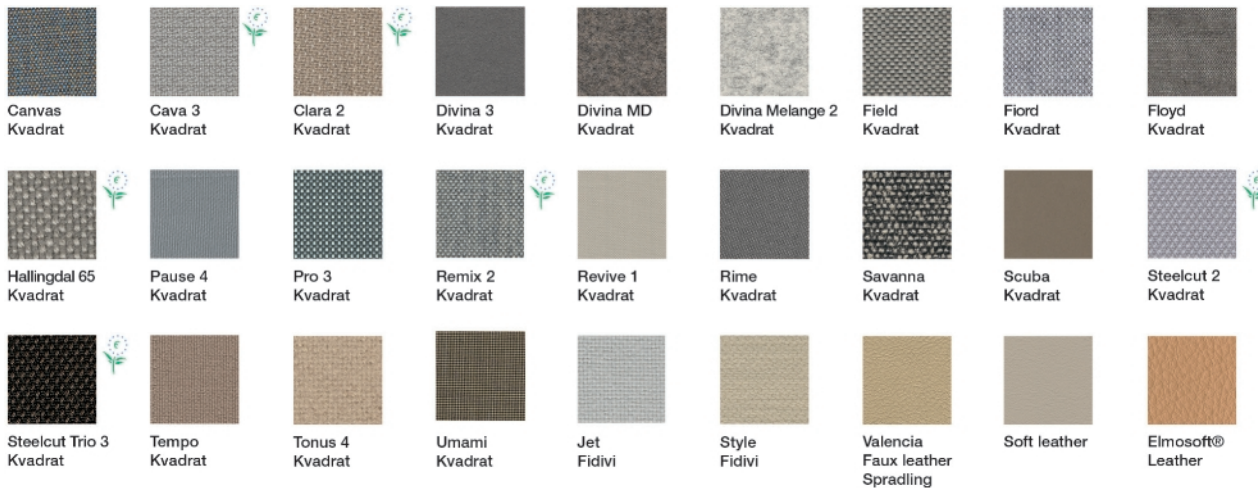


Dimensions *



* File CAD 2D - 3D available for download at www.arper.com

Carded In



Graded In

kvadrat

camira



DESIGN
TEX



Gabriel



svensson

maharam

Serge Ferrari


Saari

Design by Lievore Altherr Molina, 2009

SHIPMENT DETAILS

Art.2710

1 pz = 1  - kg 15/ m³ 0,56

1 pz = 1  - kg 5/ m³ 0,04

TECHNICAL SPECIFICATIONS

Art.2710

COL requirement m² 3.86

H 140 cm. COM Meterage ml 2.75

RESISTANCE TEST

FIRE RETARDANT TEST

BS5852 i.s. 5 Cava 3 Clara Field Pro 3 Remix 2 Scuba Tonus 4 Tempo
• BS5852 Sch. 4 Part 1 Divina MD Divina Melange 2 Divina 3 Hallingdal
65 Steelcut Trio 2 Steelcut Trio 3 Tonus 4 • BS5852 Sch. 5 Part 1 Cava 3
Clara Divina MD Divina Melange 2 Divina 3 Soft leather Elmosoft
Hallingdal 65 Remix 2 Steelcut Trio 2 Steelcut Trio 3 Tonus 4 • EN 1021 -
1 Cava 3 Clara Field Pro 3 Remix 2 Tempo • EN 1021 - 2 Cava 3
Clara Field Pro 3 Remix 2 Tempo

ENVIRONMENTAL CERTIFICATIONS



arper

F +39 0422 791800

T +39 0422 7918

www.arper.com