

Pix 67

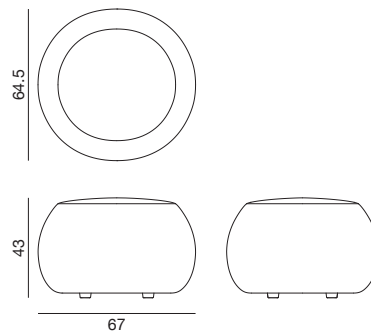
Design by Ichiro Iwasaki, 2010

Art. 3004 3008

One small seat ottoman. Upholstery available in fabric, leather, faux leather or customer's material. A version suitable specifically for outdoor is also available, featuring a special flow-through internal foam and a polyester upholstery. Fitted with glides. Diameter 67 cm.



Dimensions *



* File CAD 2D - 3D available for download at www.arper.com

arper

F +39 0422 791800

T +39 0422 7918

www.arper.com

Pix 67

Design by Ichiro Iwasaki, 2010

SHIPMENT DETAILS

Art.3004

1 pz = 1  - kg 5/ m² 0,04

1 pz = 1  - kg 8/ m² 0,21

TECHNICAL SPECIFICATIONS

Art.3004

BOA Lequiri Meterage 2x1 1,65

H 140 cm. COM Meterage ml 1.65

RESISTANCE TEST

FIRE RETARDANT TEST

California TB117-2013 Cava 3 Clara Canvas Divina MD Divina Melange 2 Divina 3 Soft leather Elmosoft Field Hallingdal 65 Jet Jumper 3 Pro 3 Soft leather Pause 4 Remix 2 Savanna Steelcut 2 Scuba Steelcut Trio 2 Steelcut Trio 3 Sunniva Sunniva 2 Tonus 4 Tempo Faux leather Valencia • BS5852 Sch. 4 Part 1 Cava 3 Soft leather Elmosoft Hallingdal 65 Soft leather Remix 2 Steelcut 2 Steelcut Trio 2 Steelcut Trio 3 Tonus 4 • BS5852 Sch. 5 Part 1 Cava 3 Clara Canvas Divina MD Divina Melange 2 Divina 3 Soft leather Elmosoft Hallingdal 65 Soft leather Remix 2 Steelcut 2 Steelcut Trio 2 Steelcut Trio 3 Tonus 4 Faux leather Valencia

ENVIRONMENTAL CERTIFICATIONS

arper

F +39 0422 791800

T +39 0422 7918

www.arper.com