

Palm

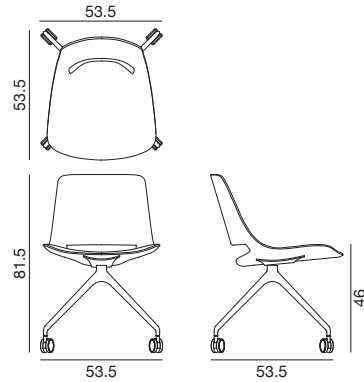
Design by Lievore Altherr Molina, 2004

Art. 1207 1216

Chair with polished or powdercoated aluminium fixed base, mounted on self-braking castors. Polyethylene shell also available upholstered in leather, faux leather, fabric or customer's material.



Dimensions *



* File CAD 2D - 3D available for download at www.arper.com

Frame Base



Shell

Polyethylene



PE
Polyethylene

Carded In



Graded In

kvadrat

camira



DESIGN
TEX



Gabriel



svensson

maharam


Serge Ferrari


Palm


Design by Lievore Altherr Molina, 2004


SHIPMENT DETAILS

Art.1207

1 pz = 2  - kg 12,22/ m³ 0,26

4 pz = 2  - kg 38,14/ m³ 0,37

1 pz = 2  - kg 12,22/ m³ 0,26

4 pz = 2  - kg 38,14/ m³ 0,37

RESISTANCE TEST

FIRE RETARDANT TEST

BS5852/06 Clause 12 cigarette match Perla 2.2 • BS5852 i.s. 5 Cava 3
Soft leather Elmosoft Hallingdal 65 Pro 3 Tonus 4 • Classe 1IM Cava 3
Divina MD Divina Melange 2 Divina 3 Hallingdal 65 Pro 3 Soft leather
Tonus 4 Faux leather Valencia • California TB117-2013 Cava 3 Clara
Canvas Divina MD Divina Melange 2 Divina 3 Soft leather Elmosoft
Field Hallingdal 65 Jet Jumper 3 Pro 3 Soft leather Pause 4 Remix 2
Savanna Steelcut 2 Scuba Steelcut Trio 2 Steelcut Trio 3 Sunniva
Sunniva 2 Tonus 4 Tempo Faux leather Valencia • BS5852 Sch. 4 Part 1
Cava 3 Divina MD Divina Melange 2 Divina 3 Soft leather Elmosoft
Hallingdal 65 Pro 3 Soft leather Tonus 4 Faux leather Valencia • BS5852
Sch. 5 Part 1 Cava 3 Clara Canvas Divina MD Divina Melange 2 Divina
3 Soft leather Elmosoft Hallingdal 65 Soft leather Remix 2 Savanna
Steelcut 2 Steelcut Trio 2 Steelcut Trio 3 Tonus 4 Faux leather Valencia •
EN 1021 - 1 Divina MD Divina Melange 2 Divina 3 Soft leather Elmosoft
Field Hallingdal 65 Pro 3 • EN 1021 - 2 Divina MD Divina Melange 2
Divina 3 Soft leather Elmosoft Field Hallingdal 65 Pro 3

ENVIRONMENTAL CERTIFICATIONS



arper

F +39 0422 791800

T +39 0422 7918

www.arper.com