

Masai

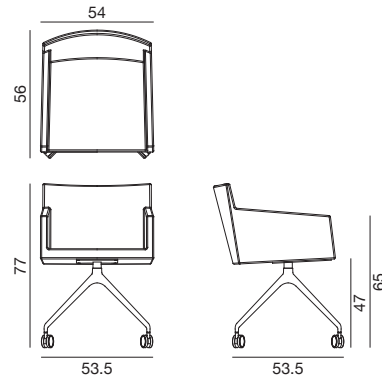
Design by Lievore Altherr Molina, 2001

Art. 0412

Armchair with polished or powdercoated aluminium pedestal base, mounted on selfbraking castors. The polyethylene shell is upholstered in leather, faux leather, fabric or customer's material.

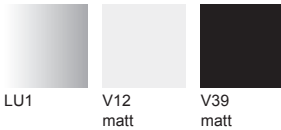


Dimensions *



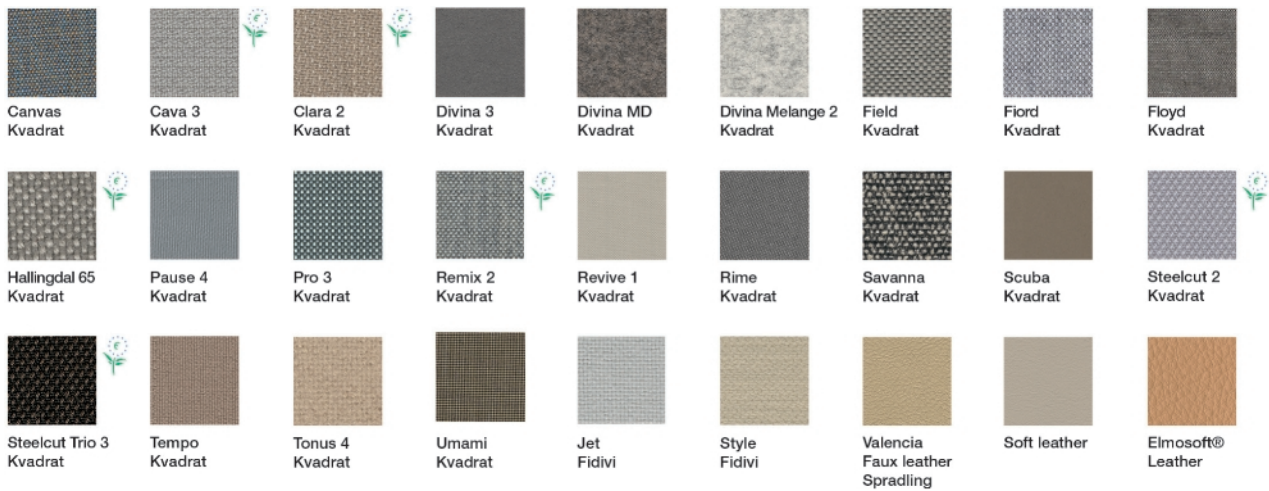
* File CAD 2D - 3D available for download at www.arper.com

Frame Base



Shell

Carded In



Graded In

kvadrat

camira



DESIGN
TEX



Gabriel



svensson

maharam


Serge Ferrari

Masai

Design by Lievore Altherr Molina, 2001

SHIPMENT DETAILS

Art.0412

1 pz = 1  - kg 18,2/ m² 0,35

TECHNICAL SPECIFICATIONS

Art.0412

COL requirement m² 2.57

H 140 cm. COM Meterage ml 1.65

Soft leather: standard ochre stitching. Other colours available upon request.

RESISTANCE TEST

FIRE RETARDANT TEST

BS5852 i.s. 5 Soft leather Elmosoft Pro 3 Tonus 4 • California TB117-2013 Cava 3 Clara Canvas Divina MD Divina Melange 2 Divina 3 Soft leather Elmosoft Field Hallingdal 65 Jet Jumper 3 Pro 3 Soft leather Pause 4 Remix 2 Savanna Steelcut 2 Scuba Steelcut Trio 2 Steelcut Trio 3 Sunniva Sunniva 2 Tonus 4 Tempo Faux leather Valencia • BS5852 Sch. 4 Part 1 Soft leather Elmosoft Pro 3 Soft leather Tonus 4 • BS5852 Sch. 5 Part 1 Cava 3 Clara Canvas Divina MD Divina 3 Soft leather Elmosoft Hallingdal 65 Soft leather Remix 2 Savanna Steelcut 2 Steelcut Trio 2 Steelcut Trio 3 Tonus 4 Faux leather Valencia • EN 1021 - 1 Divina Melange 2 Soft leather Elmosoft Pro 3 • EN 1021 - 2 Divina Melange 2 Soft leather Elmosoft Pro 3

ENVIRONMENTAL CERTIFICATIONS



arper

F +39 0422 791800

T +39 0422 7918

www.arper.com