

Juno

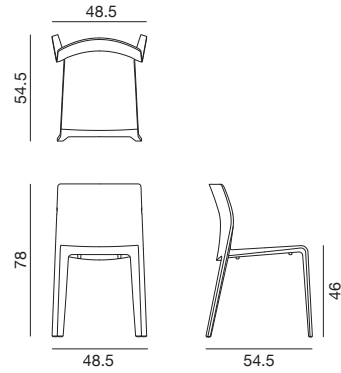
Design by James Irvine, 2012

Art. 3601

Chair with polypropylene 4 leg base and closed backrest. Available in 7 different colors.



Dimensions *



* File CAD 2D - 3D available for download at www.arper.com

Shell

Polypropylene



arper

F +39 0422 791800

T +39 0422 7918





www.arper.com

Juno

Design by James Irvine, 2012

SHIPMENT DETAILS

Art.3601

- 1 pz = 1  - kg 6/ m³ 0,27
- 2 pz = 1  - kg 11,75/ m³ 0,27
- 4 pz = 1  - kg 22/ m³ 0,34
- 6 pz = 1  - kg 30/ m³ 0,4

RESISTANCE TEST

- EN 1728:2012 - EN 16139:2013 6.15
- EN 1728:2012 - EN 16139:2013 6.17
- EN 1728:2012 - EN 16139:2013 6.24
- EN 1728:2012 - EN 16139:2013 6.4
- ANSI/BIFMA X5.1-2011/11
- ANSI/BIFMA X5.1-2011/16
- EN 1022:05
- TUV GS (EN16139)
- EN 1728:2012 - EN 16139:2013 6.16
- EN 1728:2012 - EN 16139:2013 6.18
- EN 1728:2012 - EN 16139:2013 6.25
- EN 1728:2012 - EN 16139:2013 6.5
- ANSI/BIFMA X5.1-2011/12
- ANSI/BIFMA X5.1-2011/18
- EN 1728/2000 - EN 15373:2007 A.2

ENVIRONMENTAL CERTIFICATIONS



TECHNICAL SPECIFICATIONS

Art.3601

Minimum order: 2 items with the same finish.
Suitable for outdoor use

FIRE RETARDANT TEST

Stackability:

- Up to 10 pcs. (should the weight exceed 25 kilos a handling tool must be used).
- With trolley: up to 15 pcs.

arper

F +39 0422 791800

T +39 0422 7918

www.arper.com

Juno

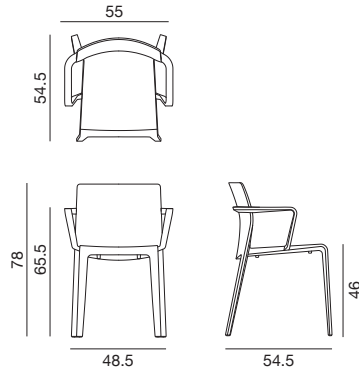
Design by James Irvine, 2012

Art. 3603

Chair with polypropylene 4 leg base, closed backrest and armrests. Available in 7 different colors.



Dimensions *



* File CAD 2D - 3D available for download at www.arper.com

Shell

Polypropylene



arper

F +39 0422 791800

T +39 0422 7918

www.arper.com

Juno

Design by James Irvine, 2012

SHIPMENT DETAILS

Art.3603

- 1 pz = 1  - kg 6/ m³ 0,26
- 2 pz = 1  - kg 12/ m³ 0,31
- 4 pz = 1  - kg 23/ m³ 0,41

RESISTANCE TEST

- EN 1728:2012 - EN 16139:2013 6.15
- EN 1728:2012 - EN 16139:2013 6.17
- EN 1728:2012 - EN 16139:2013 6.24
- EN 1728:2012 - EN 16139:2013 6. 4
- EN 1022:05
- EN 1728:2012 - EN 16139:2013 6.16
- EN 1728:2012 - EN 16139:2013 6.18
- EN 1728:2012 - EN 16139:2013 6.25
- EN 1728:2012 - EN 16139:2013 6. 5
- TUV GS (EN16139)

ENVIRONMENTAL CERTIFICATIONS



TECHNICAL SPECIFICATIONS

Art.3603

Minimum order: 2 items with the same finish.
Outdoor.

FIRE RETARDANT TEST

Stackability:

- Up to 5 pcs. (should the weight exceed 25 kilos a handling tool must be used).
- With trolley: up to 5 pcs.

arper

F +39 0422 791800

T +39 0422 7918

www.arper.com