

Catifa 60 Lounge

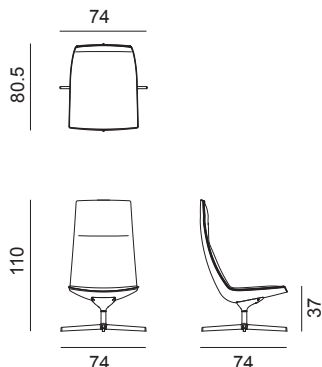
Design by Lievore Altherr Molina, 2008

Art. 2130 2131

Lounge chair with polished aluminium four-star pedestal base and high backrest, available in the swivel version (Art. 2130) or with return mechanism (Art. 2131). The shell is upholstered in leather, faux leather, fabric or customer's material with line stitching under the headrest. Upholstered polished aluminium armrests, are available upon request.



Dimensions *



* File CAD 2D - 3D available for download at www.arper.com

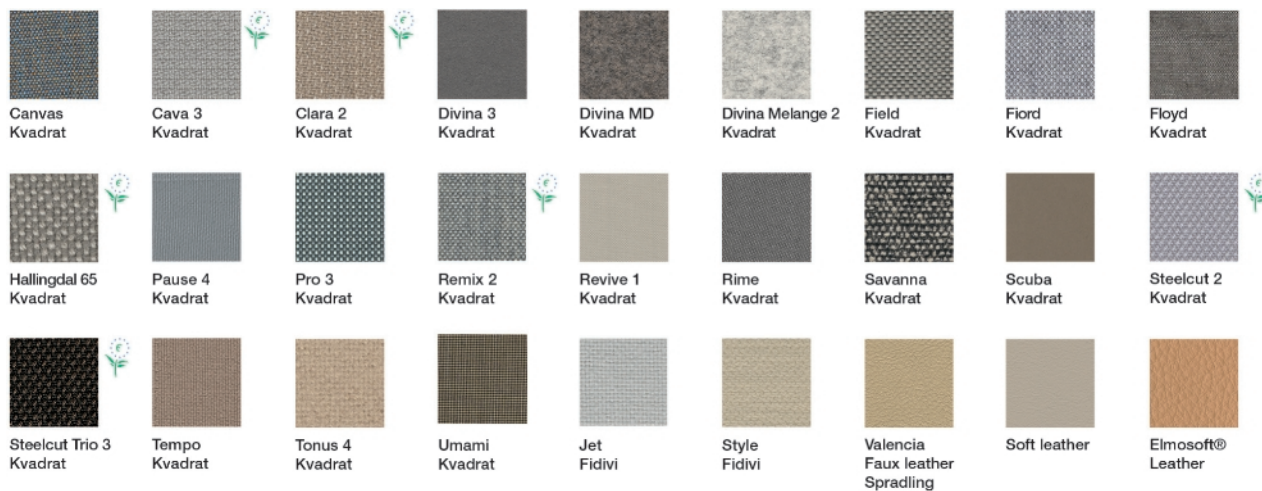
Frame Base



LU1

Shell

Carded In



Graded In

kvadrat

camira



DESIGN
TEX



Gabriel



svensson

maharam

Serge Ferrari

Catifa 60 Lounge

Design by Lievore Altherr Molina, 2008



Armrests Cl

SHIPMENT DETAILS

Art.2130

1 pz = 1  - kg 34/ m³ 0,96

1 pz = 1  - kg 34/ m³ 0,96

TECHNICAL SPECIFICATIONS

Art.2130

COL requirement m² 3.6

H 140 cm. COM Meterage ml 1.91

With line stitching under the headrest

Non-upholstered armrest available on request.

RESISTANCE TEST

- EN 1022:05

FIRE RETARDANT TEST

BS5852 i.s. 5 Cava 3 Divina MD Divina Melange 2 Divina 3 Soft leather Elmosoft Hallingdal 65 Pro 3 Tonus 4 • Classe 1IM Cava 3 Divina MD Divina Melange 2 Divina 3 Soft leather Elmosoft Hallingdal 65 Pro 3 Tonus 4 Faux leather Valencia • California TB117-2013 Cava 3 Clara Canvas Divina MD Divina Melange 2 Divina 3 Soft leather Elmosoft Field Hallingdal 65 Jet Jumper 3 Pro 3 Soft leather Pause 4 Remix 2 Savanna Steelcut 2 Scuba Steelcut Trio 2 Steelcut Trio 3 Sunniva Sunniva 2 Tonus 4 Tempo Faux leather Valencia • BS5852 Sch. 4 Part 1 Cava 3 Divina MD Divina Melange 2 Divina 3 Soft leather Elmosoft Hallingdal 65 Pro 3 Soft leather Tonus 4 Faux leather Valencia • BS5852 Sch. 5 Part 1 Cava 3 Clara Canvas Divina MD Divina Melange 2 Divina 3 Soft leather Elmosoft Hallingdal 65 Soft leather Savanna Steelcut 2 Steelcut Trio 2 Steelcut Trio 3 Tonus 4 Faux leather Valencia • EN 1021 - 1 Divina MD Divina Melange 2 Divina 3 Soft leather Elmosoft Field Hallingdal 65 Pro 3 • EN 1021 - 2 Divina MD Divina Melange 2 Divina 3 Soft leather Elmosoft Field Hallingdal 65 Pro 3

ENVIRONMENTAL CERTIFICATIONS



arper

F +39 0422 791800

T +39 0422 7918

www.arper.com

Catifa 60 Lounge

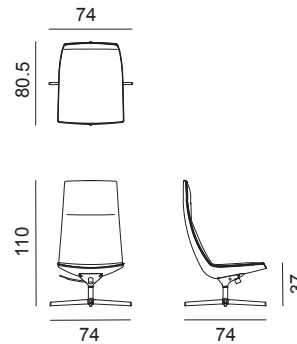
Design by Lievore Altherr Molina, 2008

Art. 2132

Lounge chair with polished aluminium four-star pedestal base and high backrest, provided with return and tilt mechanisms. The shell is upholstered in leather, faux leather, fabric or customer's material with line stitching under the headrest. Upholstered polished aluminium armrests, are available upon request.



Dimensions *



* File CAD 2D - 3D available for download at www.arper.com

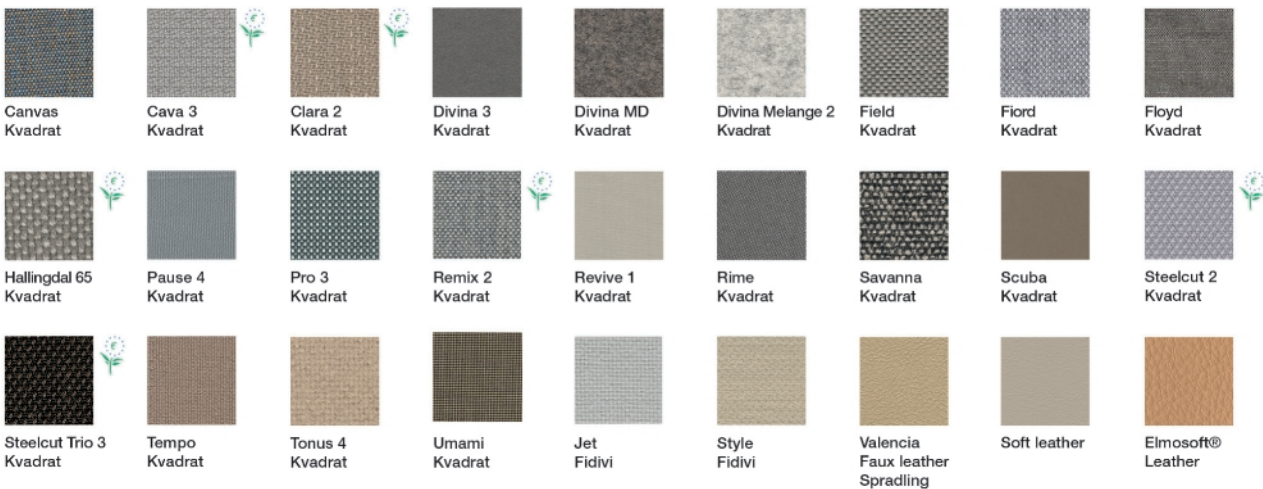
Frame Base



LU1

Shell

Carded In



Graded In

kvadrat

camira



DESIGN
TEX



Gabriel



svensson

maharam

Serge Ferrari

Catifa 60 Lounge

Design by Lievore Altherr Molina, 2008



Armrests Cl

SHIPMENT DETAILS

Art.2132

1 pz = 1  - kg 34/ m³ 0,96

TECHNICAL SPECIFICATIONS

Art.2132

COL requirement m² 3.6

H 140 cm. COM Meterage ml 1.91

With line stitching under the headrest

Non-upholstered armrest available on request.

RESISTANCE TEST

FIRE RETARDANT TEST

BS5852 i.s. 5 Cava 3 Divina MD Divina Melange 2 Divina 3 Soft leather Elmosoft Hallingdal 65 Pro 3 Tonus 4 • Classe 1IM Cava 3 Divina MD Divina Melange 2 Divina 3 Soft leather Elmosoft Hallingdal 65 Pro 3 Tonus 4 Faux leather Valencia • California TB117-2013 Cava 3 Clara Canvas Divina MD Divina Melange 2 Divina 3 Soft leather Elmosoft Field Hallingdal 65 Jet Jumper 3 Pro 3 Soft leather Pause 4 Remix 2 Savanna Steelcut 2 Scuba Steelcut Trio 2 Steelcut Trio 3 Sunniva Sunniva 2 Tonus 4 Tempo Faux leather Valencia • BS5852 Sch. 4 Part 1 Cava 3 Divina MD Divina Melange 2 Divina 3 Soft leather Elmosoft Hallingdal 65 Pro 3 Soft leather Tonus 4 Faux leather Valencia • BS5852 Sch. 5 Part 1 Cava 3 Clara Canvas Divina MD Divina Melange 2 Divina 3 Soft leather Elmosoft Hallingdal 65 Soft leather Savanna Steelcut 2 Steelcut Trio 2 Steelcut Trio 3 Tonus 4 Faux leather Valencia • EN 1021 - 1 Divina MD Divina Melange 2 Divina 3 Soft leather Elmosoft Field Hallingdal 65 Pro 3 • EN 1021 - 2 Divina MD Divina Melange 2 Divina 3 Soft leather Elmosoft Field Hallingdal 65 Pro 3

ENVIRONMENTAL CERTIFICATIONS



arper

F +39 0422 791800

T +39 0422 7918

www.arper.com