

# Catifa 53

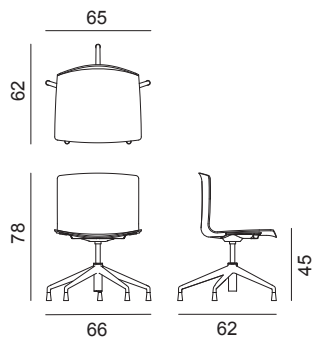
Design by Lievore Altherr Molina, 2001

## Art. 0233

Chair with aluminium five star base fitted with return mechanism. Matt polypropylene shell available in single colour or upholstered in hard leather grade 1 (CT) or hard leather grade 2 (CU). Polypropylene and steel armrests, are available upon request.



### Dimensions \*



\* File CAD 2D - 3D available for download at [www.arper.com](http://www.arper.com)

### Frame Base



LU1

### Shell

#### Polypropylene



PO  
Polypropylene  
one color

#### Hard leather Grade 1 and Grade 2



CT



CU

arper

F +39 0422 791800

T +39 0422 7918

[www.arper.com](http://www.arper.com)

# Catifa 53

Design by Lievore Altherr Molina, 2001

---

## Accessories:



Cushion Art. 0231



Armrests BV





Armrests CV - pad (only for PO)

---

## SHIPMENT DETAILS

### Art.0233

1 pz = 2  - kg 13,2/ m<sup>2</sup> 0,34

4 pz = 5  - kg 49/ m<sup>2</sup> 1,03

---

## RESISTANCE TEST

- EN 1728:2000 - EN 15373:2007 6.10
- EN 1728:2000 - EN 15373:2007 6.16
- EN 1728:2000 - EN 15373:2007 6.2.1
- EN 1728:2000 - EN 15373:2007 6.5
- EN 1728:2000 - EN 15373:2007 6.7

- EN 1728:2000 - EN 15373:2007 6.15
- EN 1728:2000 - EN 15373:2007 6.17
- EN 1728:2000 - EN 15373:2007 6.2.2
- EN 1728:2000 - EN 15373:2007 6.6
- UNI 8591/84

---

## FIRE RETARDANT TEST

BS5852/90 Sez.5 cigarette match polypropylene • BS5852 Sch. 5 Part 1 CT CU

---

## ENVIRONMENTAL CERTIFICATIONS



arper

F +39 0422 791800

T +39 0422 7918

www.arper.com

# Catifa 53

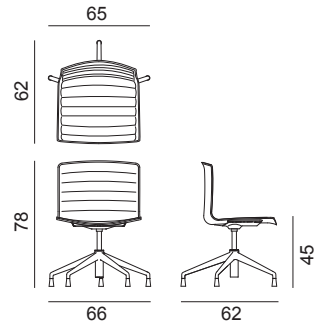
Design by Lievore Altherr Molina, 2001

## Art. 0235

Chair with aluminium five-star base, fitted with return mechanism. The shell is upholstered in leather, faux leather, fabric or customer's material. Steel armrests, also upholstered, are available upon request.



### Dimensions \*



\* File CAD 2D - 3D available for download at [www.arper.com](http://www.arper.com)

### Frame Base



LU1

### Shell

#### Carded In



Canvas Kvadrat



Cava 3 Kvadrat



Clara 2 Kvadrat



Divina 3 Kvadrat



Divina MD Kvadrat



Divina Melange 2 Kvadrat



Field Kvadrat



Fiord Kvadrat



Floyd Kvadrat



Hallingdal 65 Kvadrat



Pause 4 Kvadrat



Pro 3 Kvadrat



Remix 2 Kvadrat



Revive 1 Kvadrat



Rime Kvadrat



Savanna Kvadrat



Scuba Kvadrat



Steelcut 2 Kvadrat



Steelcut Trio 3 Kvadrat



Tempo Kvadrat



Tonus 4 Kvadrat



Umami Kvadrat



Jet Fidivi



Style Fidivi



Valencia Faux leather Spradling



Soft leather



Elmosoft® Leather

#### Graded In

**kvadrat**

**camira**



DESIGN  
TEX



**Gabriel**



**svensson**

**maharam**

**SergeFerrari**

# Catifa 53

Design by Lievore Altherr Molina, 2001



Armrests BV



Armrests CI - only pad

## SHIPMENT DETAILS

### Art.0235

1 pz = 2 - kg 14,2/ m³ 0,35

4 pz = 5 - kg 53/ m³ 1,07

## TECHNICAL SPECIFICATIONS

### Art.0235

COL requirement m² 1.78

H 140 cm. COM Meterage ml 1.21

Line detail stitching.

## RESISTANCE TEST

- EN 1728:2000 - EN 15373:2007 6.10
- EN 1728:2000 - EN 15373:2007 6.16
- EN 1728:2000 - EN 15373:2007 6.2.1
- EN 1728:2000 - EN 15373:2007 6.5
- EN 1728:2000 - EN 15373:2007 6.7

- EN 1728:2000 - EN 15373:2007 6.15
- EN 1728:2000 - EN 15373:2007 6.17
- EN 1728:2000 - EN 15373:2007 6.2.2
- EN 1728:2000 - EN 15373:2007 6.6
- UNI 8591/84

## FIRE RETARDANT TEST

BS5852 i.s. 5 Cava 3 Soft leather Elmosoft Hallingdal 65 Pro 3 Tonus 4 • Classe 1IM Cava 3 Divina MD Divina Melange 2 Divina 3 Hallingdal 65 Pro 3 Soft leather Tonus 4 Faux leather Valencia • California TB117-2013 Cava 3 Clara Canvas Divina MD Divina Melange 2 Divina 3 Soft leather Elmosoft Field Hallingdal 65 Jet Jumper 3 Pro 3 Soft leather Pause 4 Remix 2 Savanna Steelcut 2 Scuba Steelcut Trio 2 Steelcut Trio 3 Sunniva Sunniva 2 Tonus 4 Tempo Faux leather Valencia • BS5852 Sch. 4 Part 1 Cava 3 Divina MD Divina Melange 2 Divina 3 Soft leather Elmosoft Hallingdal 65 Pro 3 Tonus 4 Faux leather Valencia • BS5852 Sch. 5 Part 1 Cava 3 Clara Canvas Divina MD Divina Melange 2 Divina 3 Soft leather Elmosoft Hallingdal 65 Soft leather Remix 2 Savanna Steelcut 2 Steelcut Trio 2 Steelcut Trio 3 Tonus 4 Faux leather Valencia • EN 1021 - 1 Divina MD Divina Melange 2 Divina 3 Soft leather Elmosoft Field Hallingdal 65 Pro 3 Soft leather • EN 1021 - 2 Divina MD Divina Melange 2 Divina 3 Soft leather Elmosoft Field Hallingdal 65 Pro 3 Soft leather

## ENVIRONMENTAL CERTIFICATIONS



arper

F +39 0422 791800

T +39 0422 7918

www.arper.com

# Catifa 53

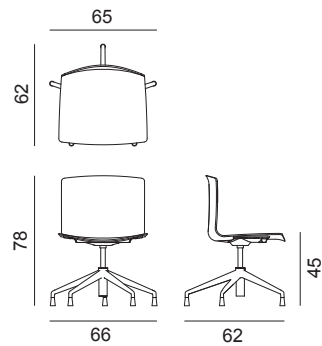
Design by Lievore Altherr Molina, 2001

## Art. 0247

Chair with aluminium five-star base, fitted with return mechanism. The wood shell is available in four finishes (natural oak, bleached oak, wengé, teak). Steel armrests are available upon request.



## Dimensions \*



\* File CAD 2D - 3D available for download at [www.arper.com](http://www.arper.com)

## Frame Base



LU1

## Shell

### Wood



L0020

L0021

L0022

L0023

arper

F +39 0422 791800

T +39 0422 7918

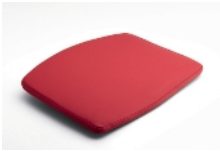
[www.arper.com](http://www.arper.com)

# Catifa 53

Design by Lievore Altherr Molina, 2001

---

## Accessories:



Cushion Art. 0231





Armrests BV

---

## SHIPMENT DETAILS

### Art.0247

1 pz = 2  - kg 13,12/ m<sup>2</sup> 0,34

4 pz = 5  - kg 48,4/ m<sup>2</sup> 1,03

---

## RESISTANCE TEST

---

## ENVIRONMENTAL CERTIFICATIONS



---

## TECHNICAL SPECIFICATIONS

---

## FIRE RETARDANT TEST

BS5852/90 Sez.5 cigarette match LG • Classe 1 LG

arper

F +39 0422 791800

T +39 0422 7918

www.arper.com

# Catifa 53

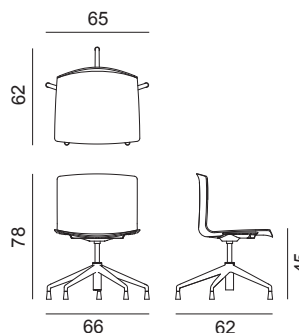
Design by Lievore Altherr Molina, 2001

## Art. 2046

Chair with aluminium five-star base, fitted with return mechanism. Matt polypropylene shell with front upholstery in leather, faux leather, fabric or customer's material. Steel armrests, also upholstered, are available upon request.



### Dimensions \*



\* File CAD 2D - 3D available for download at [www.arper.com](http://www.arper.com)

### Frame Base



LU1

### Shell

#### Polypropylene



PO  
Polypropylene  
one color

#### Carded In



Canvas  
Kvadrat



Cava 3  
Kvadrat



Clara 2  
Kvadrat



Divina 3  
Kvadrat



Divina MD  
Kvadrat



Divina Melange 2  
Kvadrat



Field  
Kvadrat



Fiord  
Kvadrat



Floyd  
Kvadrat



Hallingdal 65  
Kvadrat



Pause 4  
Kvadrat



Pro 3  
Kvadrat



Remix 2  
Kvadrat



Revive 1  
Kvadrat



Rime  
Kvadrat



Savanna  
Kvadrat



Scuba  
Kvadrat



Steelcut 2  
Kvadrat



Steelcut Trio 3  
Kvadrat



Tempo  
Kvadrat



Tonus 4  
Kvadrat



Umami  
Kvadrat



Jet  
Fidivi



Style  
Fidivi



Valencia  
Faux leather  
Spradling



Soft leather



Elmosoft®  
Leather

#### Graded In

**kvadrat**

**camira**



DESIGN  
TEX



**Gabriel**



**svensson**

**maharam**

**Serge Ferrari**

# Catifa 53

Design by Lievore Altherr Molina, 2001



Armrests BV



Armrests CI - only pad

## SHIPMENT DETAILS

### Art.2046

1 pz = 2 - kg 15/ m³ 0,35

4 pz = 5 - kg 56,68/ m³ 1,07

## RESISTANCE TEST

- EN 1728:2000 - EN 15373:2007 6.10
- EN 1728:2000 - EN 15373:2007 6.16
- EN 1728:2000 - EN 15373:2007 6.2.1
- EN 1728:2000 - EN 15373:2007 6.5
- EN 1728:2000 - EN 15373:2007 6.7

- EN 1728:2000 - EN 15373:2007 6.15
- EN 1728:2000 - EN 15373:2007 6.17
- EN 1728:2000 - EN 15373:2007 6.2.2
- EN 1728:2000 - EN 15373:2007 6.6
- UNI 8591/84

## TECHNICAL SPECIFICATIONS

### Art.2046

COL requirement m² 0.84

H 140 cm. COM Meterage ml 0.72

## FIRE RETARDANT TEST

BS5852 i.s. 5 Cava 3 Soft leather Elmosoft Hallingdal 65 Pro 3 Tonus 4 • Classe 1IM Cava 3 Divina MD Divina Melange 2 Divina 3 Hallingdal 65 Pro 3 Soft leather Tonus 4 Faux leather Valencia • California TB117-2013 Cava 3 Clara Canvas Divina MD Divina Melange 2 Divina 3 Soft leather Elmosoft Field Hallingdal 65 Jet Jumper 3 Pro 3 Soft leather Pause 4 Remix 2 Savanna Steelcut 2 Scuba Steelcut Trio 2 Steelcut Trio 3 Sunniva Sunniva 2 Tonus 4 Tempo Faux leather Valencia • BS5852 Sch. 4 Part 1 Cava 3 Divina MD Divina Melange 2 Divina 3 Soft leather Elmosoft Hallingdal 65 Pro 3 Tonus 4 Faux leather Valencia • BS5852 Sch. 5 Part 1 Cava 3 Clara Canvas Divina MD Divina Melange 2 Divina 3 Soft leather Elmosoft Hallingdal 65 Soft leather Remix 2 Savanna Steelcut 2 Steelcut Trio 2 Steelcut Trio 3 Tonus 4 Faux leather Valencia • EN 1021 - 1 Divina MD Divina Melange 2 Divina 3 Soft leather Elmosoft Field Hallingdal 65 Pro 3 Soft leather • EN 1021 - 2 Divina MD Divina Melange 2 Divina 3 Soft leather Elmosoft Field Hallingdal 65 Pro 3 Soft leather

## ENVIRONMENTAL CERTIFICATIONS



arper

F +39 0422 791800

T +39 0422 7918

www.arper.com



# Catifa 53

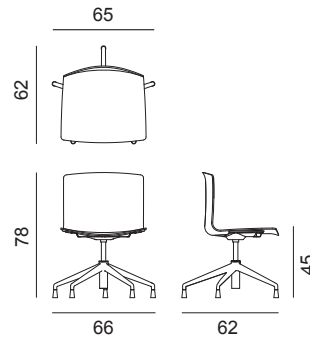
Design by Lievore Altherr Molina, 2001

## Art. 3105

Chair with aluminium five star base fitted with return mechanism. Double-curved wood shell available in four finishes (natural oak, bleached oak, wengé, teak) with front upholstery in leather, faux leather, fabric or customer's material. Steel armrests, also upholstered, are available upon request.



### Dimensions \*



\* File CAD 2D - 3D available for download at [www.arper.com](http://www.arper.com)

### Frame Base



LU1

### Shell

#### Wood



L0020

L0021

L0022

L0023

#### Carded In



#### Graded In

**kvadrat**

**camira**



DESIGN  
TEX



**Gabriel**



**svensson**

**maharam**

**Serge Ferrari**

# Catifa 53

Design by Lievore Altherr Molina, 2001



Armrests BV



Armrests CI - only pad

## SHIPMENT DETAILS

### Art.3105

1 pz = 2 - kg 15/ m<sup>3</sup> 0,35

4 pz = 5 - kg 56,68/ m<sup>3</sup> 1,07

## TECHNICAL SPECIFICATIONS

### Art.3105

COL requirement m<sup>2</sup> 0.84

H 140 cm. COM Meterage ml 0.72

## RESISTANCE TEST

## FIRE RETARDANT TEST

BS5852 i.s. 5 Cava 3 Soft leather Elmosoft Hallingdal 65 Pro 3 Tonus 4 • Classe 11M Cava 3 Divina MD Divina Melange 2 Divina 3 Hallingdal 65 Pro 3 Soft leather Tonus 4 Faux leather Valencia • California TB117-2013 Cava 3 Clara Canvas Divina MD Divina Melange 2 Divina 3 Soft leather Elmosoft Field Hallingdal 65 Jet Jumper 3 Pro 3 Soft leather Pause 4 Remix 2 Savanna Steelcut 2 Scuba Steelcut Trio 2 Steelcut Trio 3 Sunniva Sunniva 2 Tonus 4 Tempo Faux leather Valencia • BS5852 Sch. 4 Part 1 Cava 3 Divina MD Divina Melange 2 Divina 3 Soft leather Elmosoft Hallingdal 65 Pro 3 Tonus 4 Faux leather Valencia • BS5852 Sch. 5 Part 1 Cava 3 Clara Canvas Divina MD Divina Melange 2 Divina 3 Soft leather Elmosoft Hallingdal 65 Soft leather Remix 2 Savanna Steelcut 2 Steelcut Trio 2 Steelcut Trio 3 Tonus 4 Faux leather Valencia • EN 1021 - 1 Divina MD Divina Melange 2 Divina 3 Soft leather Elmosoft Field Hallingdal 65 Pro 3 Soft leather • EN 1021 - 2 Divina MD Divina Melange 2 Divina 3 Soft leather Elmosoft Field Hallingdal 65 Pro 3 Soft leather

## ENVIRONMENTAL CERTIFICATIONS



arper

F +39 0422 791800

T +39 0422 7918

www.arper.com

# Catifa 53

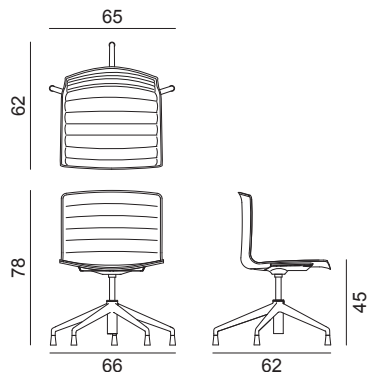
Design by Lievore Altherr Molina, 2013

## Art. 3127

Chair with aluminium five-star base, fitted with return mechanism. The white polypropylene shell is upholstered with a removable non-washable cover in leather, faux leather, fabric or customer's own material. The chair is provided already fitted with the cover. Steel armrests, also upholstered, are available upon request.



### Dimensions \*



\* File CAD 2D - 3D available for download at [www.arper.com](http://www.arper.com)

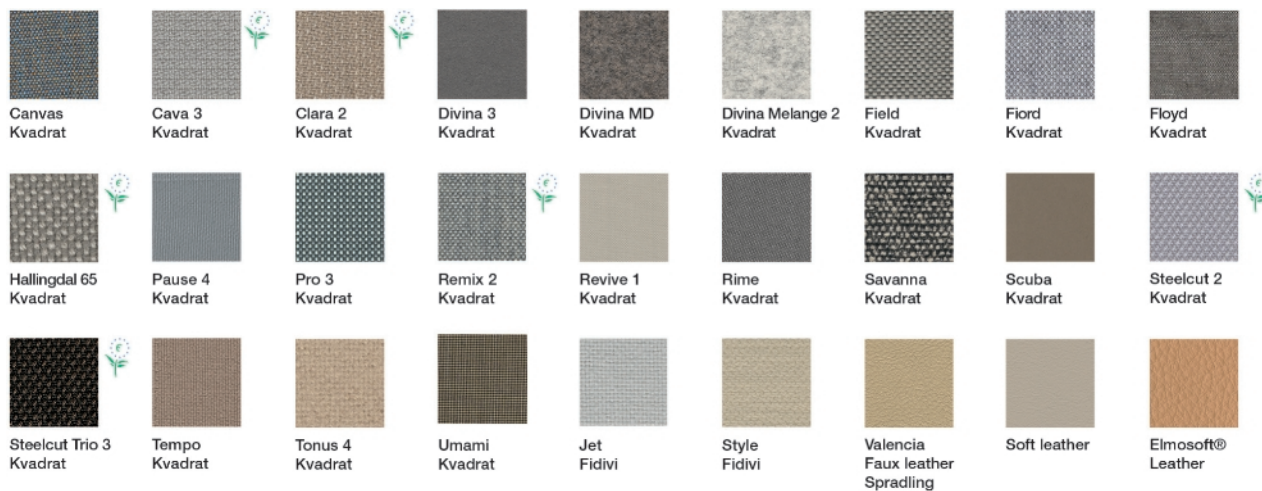
### Frame Base



LU1

### Shell

#### Carded In



#### Graded In

**kvadrat**

**camira**



DESIGN  
TEX



**Gabriel**



**svensson**

**maharam**

**Serge Ferrari**

# Catifa 53

Design by Lievore Altherr Molina, 2013



Armrests BV



Armrests CI - only pad

## SHIPMENT DETAILS

### Art.3127

1 pz = 2 - kg 14,2/ m³ 0,35

4 pz = 5 - kg 53/ m³ 1,07

## TECHNICAL SPECIFICATIONS

### Art.3127

COL requirement m² 2,09

H 140 cm. COM Meterage ml 1,23

The cover stitching comes in the same color as the upholstery. Stitching on cover 1 and 3 comes in white or black, to customer's choice.

## RESISTANCE TEST

- EN 1728:2000 - EN 15373:2007 6.10
- EN 1728:2000 - EN 15373:2007 6.16
- EN 1728:2000 - EN 15373:2007 6.2.1
- EN 1728:2000 - EN 15373:2007 6.5
- EN 1728:2000 - EN 15373:2007 6.7

- EN 1728:2000 - EN 15373:2007 6.15
- EN 1728:2000 - EN 15373:2007 6.17
- EN 1728:2000 - EN 15373:2007 6.2.2
- EN 1728:2000 - EN 15373:2007 6.6
- UNI 8591/84

## FIRE RETARDANT TEST

BS5852 i.s. 5 Cava 3 Soft leather Elmosoft Hallingdal 65 Pro 3 Tonus 4 • Classe 1IM Cava 3 Divina MD Divina Melange 2 Divina 3 Hallingdal 65 Pro 3 Soft leather Tonus 4 Faux leather Valencia • California TB117-2013 Cava 3 Clara Canvas Divina MD Divina Melange 2 Divina 3 Soft leather Elmosoft Field Hallingdal 65 Jet Jumper 3 Pro 3 Soft leather Pause 4 Remix 2 Savanna Steelcut 2 Scuba Steelcut Trio 2 Steelcut Trio 3 Sunniva Sunniva 2 Tonus 4 Tempo Faux leather Valencia • BS5852 Sch. 4 Part 1 Cava 3 Divina MD Divina Melange 2 Divina 3 Soft leather Elmosoft Hallingdal 65 Pro 3 Tonus 4 Faux leather Valencia • BS5852 Sch. 5 Part 1 Cava 3 Clara Canvas Divina MD Divina Melange 2 Divina 3 Soft leather Elmosoft Hallingdal 65 Soft leather Remix 2 Savanna Steelcut 2 Steelcut Trio 2 Steelcut Trio 3 Tonus 4 Faux leather Valencia • EN 1021 - 1 Divina MD Divina Melange 2 Divina 3 Soft leather Elmosoft Field Hallingdal 65 Pro 3 Soft leather • EN 1021 - 2 Divina MD Divina Melange 2 Divina 3 Soft leather Elmosoft Field Hallingdal 65 Pro 3 Soft leather

## ENVIRONMENTAL CERTIFICATIONS



arper

F +39 0422 791800

T +39 0422 7918

www.arper.com