

Catifa 53

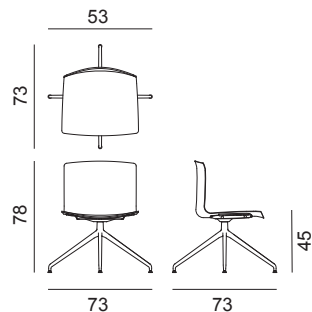
Design by Lievore Altherr Molina, 2001

Art. 2054

Chair with polished or powdercoated aluminium swivel trestle base. Matt polypropylene shell available in single colour or upholstered in hard leather grade 1 (CT) or hard leather grade 2 (CU). Polypropylene and steel armrests, are available upon request.



Dimensions *



* File CAD 2D - 3D available for download at www.arper.com

Frame Base



LU1

V12
matt

V39
matt

Shell

Polypropylene



PO
Polypropylene
one color

Hard leather Grade 1 and Grade 2



CT

CU

arper

F +39 0422 791800

T +39 0422 7918

www.arper.com

Catifa 53

Design by Lievore Altherr Molina, 2001

Accessories:



Cushion Art. 0231



Set of glides Art. 2015




Armrests BV




Armrests CV - pad (only for PO)

SHIPMENT DETAILS

Art.2054

1 pz = 2  - kg 10,7/ m² 0,28

4 pz = 2  - kg 31,8/ m² 0,38

RESISTANCE TEST

FIRE RETARDANT TEST

BS5852/90 Sez.5 cigarette match polypropylene • BS5852 Sch. 5 Part 1
CT CU

ENVIRONMENTAL CERTIFICATIONS



arper

F +39 0422 791800

T +39 0422 7918

www.arper.com

Catifa 53

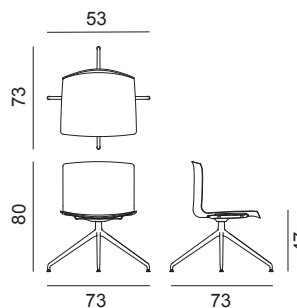
Design by Lievore Altherr Molina, 2001

Art. 2056

Chair with polished or powdercoated aluminium swivel trestle base. Matt polypropylene shell with leather, faux leather, fabric or customer's material upholstery applied to the seat surface. Steel armrests, also upholstered, are available upon request.



Dimensions *



* File CAD 2D - 3D available for download at www.arper.com

Frame Base



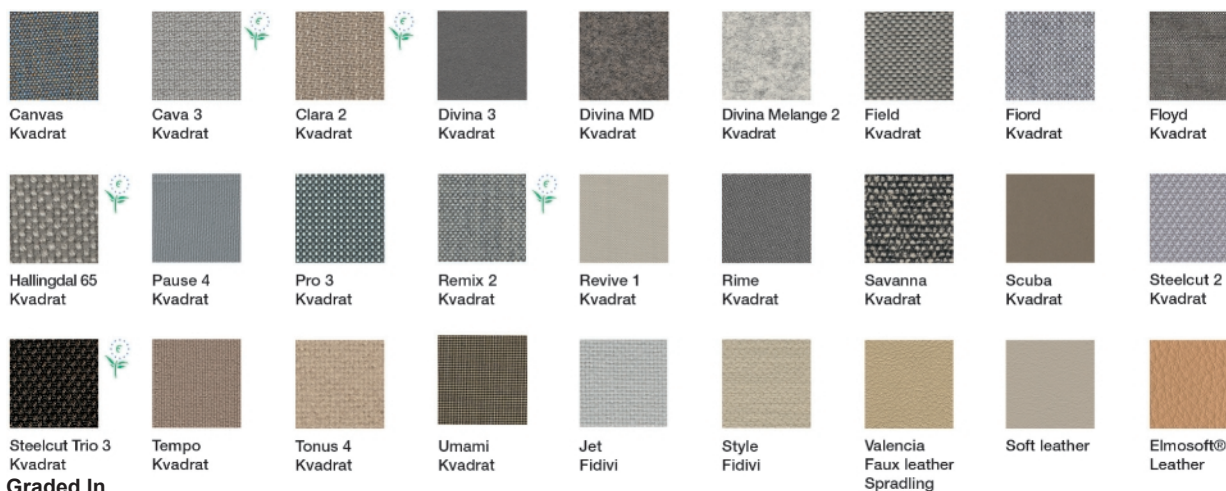
Shell

Polypropylene



PO
Polypropylene
one color

Carded In



Graded In

kvadrat

camira



DESIGN
TEX



Gabriel



svensson

maharam

Serge Ferrari

Catifa 53

Design by Lievore Altherr Molina, 2001

Accessories:



Set of glides Art. 2015



Armrests BV



Armrests CI - only pad

SHIPMENT DETAILS

Art.2056

1 pz = 2 - kg 12,6/ m² 0,28
4 pz = 2 - kg 39,8/ m² 0,42

RESISTANCE TEST

ENVIRONMENTAL CERTIFICATIONS



TECHNICAL SPECIFICATIONS

Art.2056

COL requirement m² 0.84
H 140 cm. COM Meterage ml 0.72

FIRE RETARDANT TEST

BS5852 i.s. 5 Cava 3 Soft leather Elmosoft Hallingdal 65 Pro 3 Tonus 4 • Classe 1IM Cava 3 Divina MD Divina Melange 2 Divina 3 Hallingdal 65 Pro 3 Soft leather Tonus 4 Faux leather Valencia • California TB117-2013 Cava 3 Clara Canvas Divina MD Divina Melange 2 Divina 3 Soft leather Elmosoft Field Hallingdal 65 Jet Jumper 3 Pro 3 Soft leather Pause 4 Remix 2 Savanna Steelcut 2 Scuba Steelcut Trio 2 Steelcut Trio 3 Sunniva Sunniva 2 Tonus 4 Tempo Faux leather Valencia • BS5852 Sch. 4 Part 1 Cava 3 Divina MD Divina Melange 2 Divina 3 Soft leather Elmosoft Hallingdal 65 Pro 3 Tonus 4 Faux leather Valencia • BS5852 Sch. 5 Part 1 Cava 3 Clara Canvas Divina MD Divina Melange 2 Divina 3 Soft leather Elmosoft Hallingdal 65 Soft leather Remix 2 Savanna Steelcut 2 Steelcut Trio 2 Steelcut Trio 3 Tonus 4 Faux leather Valencia • EN 1021 - 1 Divina MD Divina Melange 2 Divina 3 Soft leather Elmosoft Field Hallingdal 65 Pro 3 Soft leather • EN 1021 - 2 Divina MD Divina Melange 2 Divina 3 Soft leather Elmosoft Field Hallingdal 65 Pro 3 Soft leather

arper

F +39 0422 791800

T +39 0422 7918

www.arper.com

Catifa 53

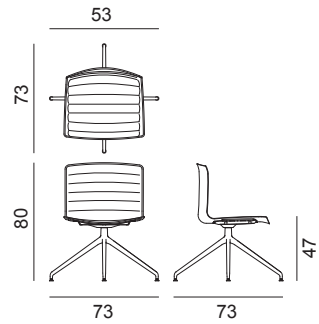
Design by Lievore Altherr Molina, 2001

Art. 2060

Chair with polished or powdercoated aluminium swivel trestle base. The shell is upholstered in leather, faux leather, fabric or customer's material. Steel armrests, also upholstered, are available upon request.



Dimensions *



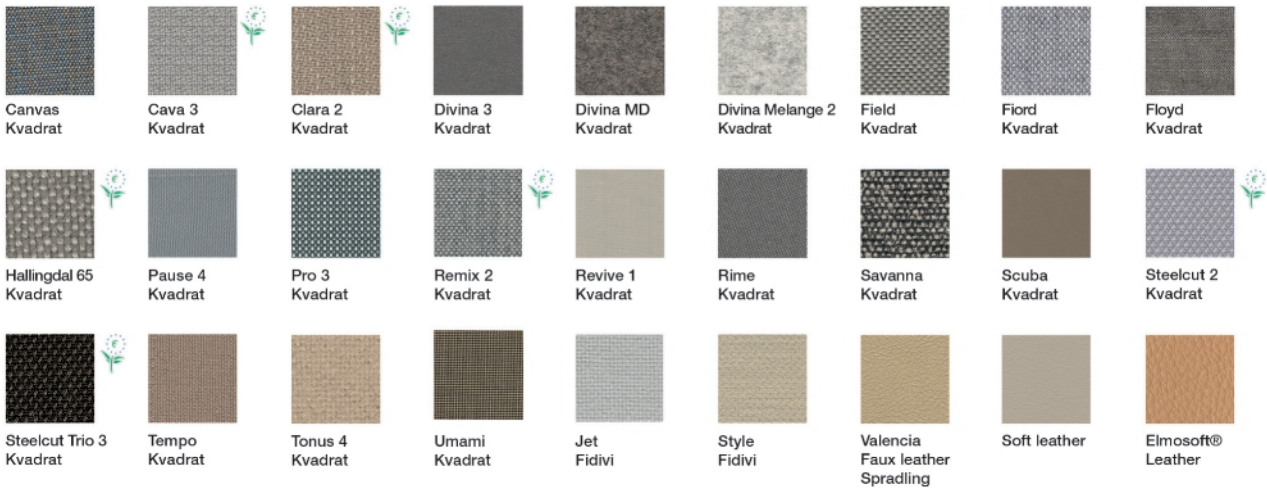
* File CAD 2D - 3D available for download at www.arper.com

Frame Base



Shell

Carded In



Graded In

kvadrat

camira



DESIGN
TEX



Gabriel



svensson

maharam

SergeFerrari

Catifa 53

Design by Lievore Altherr Molina, 2001

Accessories:



Set of glides Art. 2015



Armrests BV



Armrests CI - only pad

SHIPMENT DETAILS

Art.2060

1 pz = 2 - kg 11,7/ m² 0,28

4 pz = 2 - kg 36,2/ m² 0,42

RESISTANCE TEST

TECHNICAL SPECIFICATIONS

Art.2060

COL requirement m² 1.78

H 140 cm. COM Meterage ml 1.21

FIRE RETARDANT TEST

BS5852 i.s. 5 Cava 3 Soft leather Elmosoft Hallingdal 65 Pro 3 Tonus 4 • Classe 1IM Cava 3 Divina MD Divina Melange 2 Divina 3 Hallingdal 65 Pro 3 Soft leather Tonus 4 Faux leather Valencia • California TB117-2013 Cava 3 Clara Canvas Divina MD Divina Melange 2 Divina 3 Soft leather Elmosoft Field Hallingdal 65 Jet Jumper 3 Pro 3 Soft leather Pause 4 Remix 2 Savanna Steelcut 2 Scuba Steelcut Trio 2 Steelcut Trio 3 Sunniva Sunniva 2 Tonus 4 Tempo Faux leather Valencia • BS5852 Sch. 4 Part 1 Cava 3 Divina MD Divina Melange 2 Divina 3 Soft leather Elmosoft Hallingdal 65 Pro 3 Tonus 4 Faux leather Valencia • BS5852 Sch. 5 Part 1 Cava 3 Clara Canvas Divina MD Divina Melange 2 Divina 3 Soft leather Elmosoft Hallingdal 65 Soft leather Remix 2 Savanna Steelcut 2 Steelcut Trio 2 Steelcut Trio 3 Tonus 4 Faux leather Valencia • EN 1021 - 1 Divina MD Divina Melange 2 Divina 3 Soft leather Elmosoft Field Hallingdal 65 Pro 3 Soft leather • EN 1021 - 2 Divina MD Divina Melange 2 Divina 3 Soft leather Elmosoft Field Hallingdal 65 Pro 3 Soft leather

ENVIRONMENTAL CERTIFICATIONS



arper

F +39 0422 791800

T +39 0422 7918

www.arper.com

Catifa 53

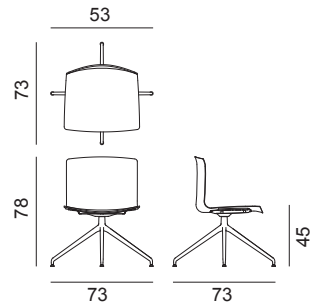
Design by Lievore Altherr Molina, 2001

Art. 2062

Chair with polished or powdercoated swivel trestle base. The wood shell is available in four colours (natural oak, bleached oak, wengé and teak). Steel armrests are available upon request.

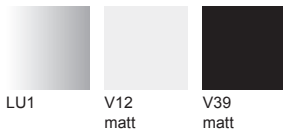


Dimensions *



* File CAD 2D - 3D available for download at www.arper.com

Frame Base



Shell

Wood



arper

F +39 0422 791800

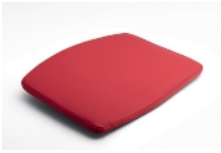
T +39 0422 7918

www.arper.com

Catifa 53

Design by Lievore Altherr Molina, 2001

Accessories:



Cushion Art. 0231




Set of glides Art. 2015




Armrests BV

SHIPMENT DETAILS

Art.2062

1 pz = 2  - kg 10,62/ m² 0,28

4 pz = 2  - kg 31,2/ m² 0,38

RESISTANCE TEST

ENVIRONMENTAL CERTIFICATIONS



TECHNICAL SPECIFICATIONS

FIRE RETARDANT TEST

BS5852/90 Sez.5 cigarette match LG • Classe 1 LG

arper

F +39 0422 791800

T +39 0422 7918

www.arper.com

Catifa 53

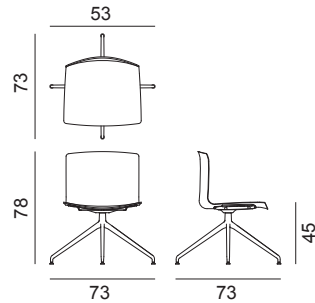
Design by Lievore Altherr Molina, 2001

Art. 3101

Chair with polished or powdercoated aluminium swivel trestle base. Double-curved wood shell available in four finishes (natural oak, bleached oak, wengé and teak) with front upholstery in leather, faux leather, fabric or customer's material. Steel armrests, also upholstered, are available upon request.



Dimensions *



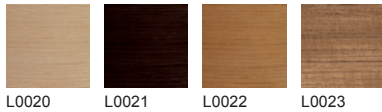
* File CAD 2D - 3D available for download at www.arper.com

Frame Base

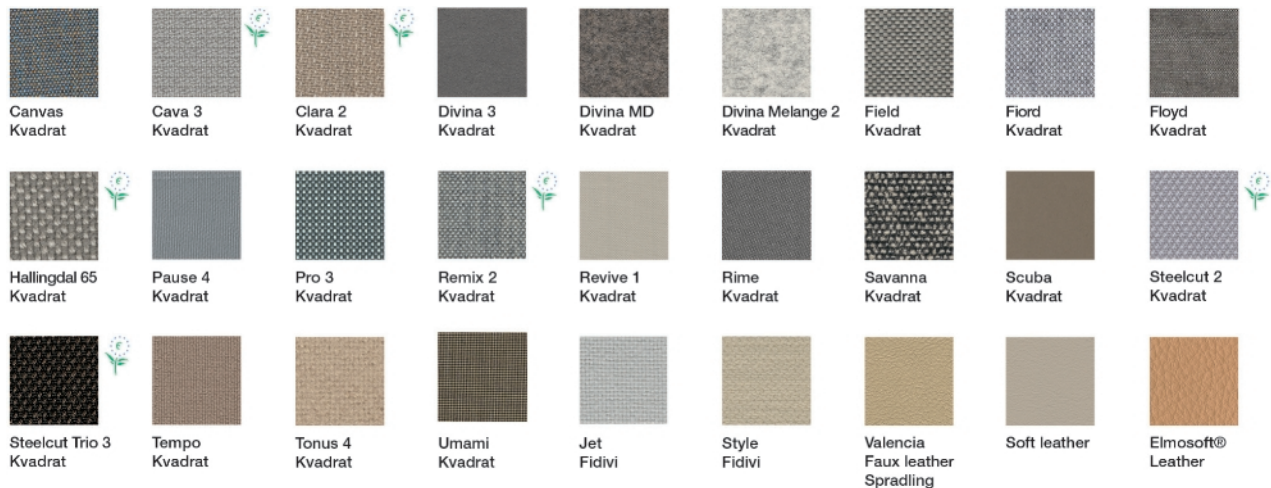


Shell

Wood



Carded In



Graded In

kvadrat

camira



DESIGN
TEX



Gabriel



svensson

maharam

Serge Ferrari

Catifa 53

Design by Lievore Altherr Molina, 2001

Accessories:



Set of glides Art. 2015



Armrests BV



Armrests CI - only pad

SHIPMENT DETAILS

Art.3101

1 pz = 2 - kg 12,6/ m² 0,28
4 pz = 2 - kg 39,8/ m² 0,42

RESISTANCE TEST

ENVIRONMENTAL CERTIFICATIONS



TECHNICAL SPECIFICATIONS

Art.3101

COL requirement m² 0.84
H 140 cm. COM Meterage ml 0.72

FIRE RETARDANT TEST

BS5852 i.s. 5 Cava 3 Soft leather Elmosoft Hallingdal 65 Pro 3 Tonus 4 • Classe 1IM Cava 3 Divina MD Divina Melange 2 Divina 3 Hallingdal 65 Pro 3 Soft leather Tonus 4 Faux leather Valencia • California TB117-2013 Cava 3 Clara Canvas Divina MD Divina Melange 2 Divina 3 Soft leather Elmosoft Field Hallingdal 65 Jet Jumper 3 Pro 3 Soft leather Pause 4 Remix 2 Savanna Steelcut 2 Scuba Steelcut Trio 2 Steelcut Trio 3 Sunniva Sunniva 2 Tonus 4 Tempo Faux leather Valencia • BS5852 Sch. 4 Part 1 Cava 3 Divina MD Divina Melange 2 Divina 3 Soft leather Elmosoft Hallingdal 65 Pro 3 Tonus 4 Faux leather Valencia • BS5852 Sch. 5 Part 1 Cava 3 Clara Canvas Divina MD Divina Melange 2 Divina 3 Soft leather Elmosoft Hallingdal 65 Soft leather Remix 2 Savanna Steelcut 2 Steelcut Trio 2 Steelcut Trio 3 Tonus 4 Faux leather Valencia • EN 1021 - 1 Divina MD Divina Melange 2 Divina 3 Soft leather Elmosoft Field Hallingdal 65 Pro 3 Soft leather • EN 1021 - 2 Divina MD Divina Melange 2 Divina 3 Soft leather Elmosoft Field Hallingdal 65 Pro 3 Soft leather

arper

F +39 0422 791800

T +39 0422 7918

www.arper.com

Catifa 53

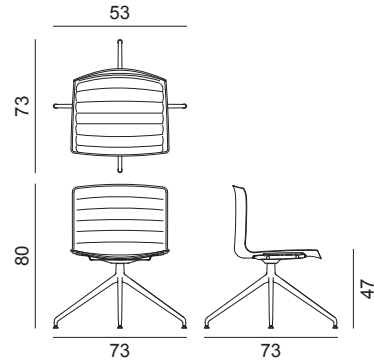
Design by Lievore Altherr Molina, 2013

Art. 3125

Chair with polished or powdercoated aluminium swivel trestle base. The white polypropylene shell is upholstered with a removable non-washable cover in leather, faux leather, fabric or customer's own material. The chair is provided already fitted with the cover. Steel armrests, also upholstered, are available upon request.

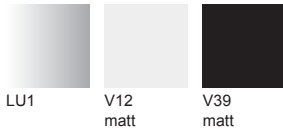


Dimensions *



* File CAD 2D - 3D available for download at www.arper.com

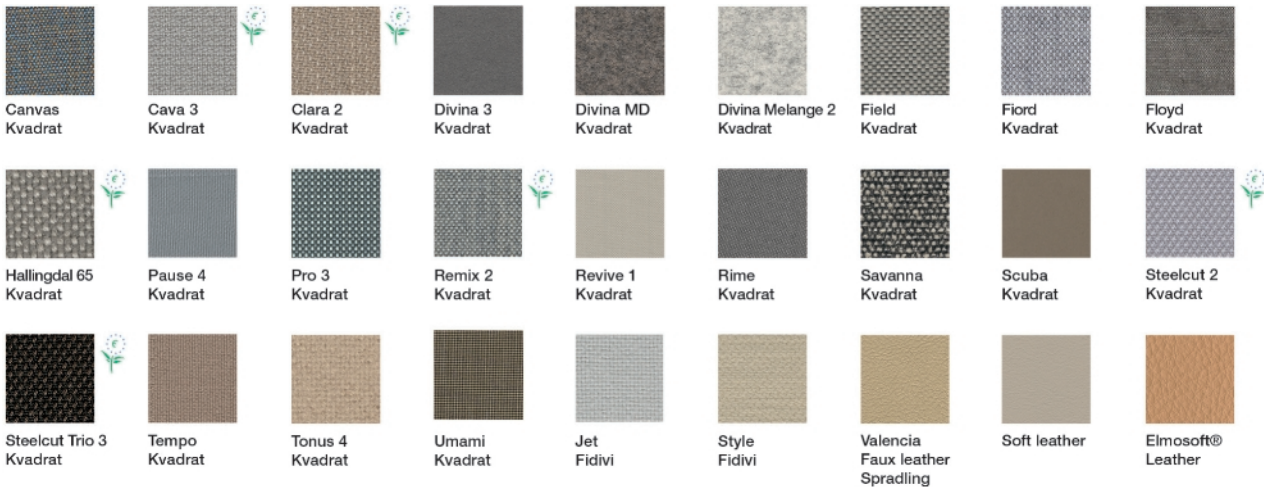
Frame Base



arper

Shell

Carded In



Graded In

kvadrat

camira



DESIGN
TEX



Gabriel



svensson

maharam

Serge Ferrari

Catifa 53

Design by Lievore Altherr Molina, 2013

Accessories:



Set of glides Art. 2015



Armrests BV



Armrests CI - only pad

SHIPMENT DETAILS

Art.3125

1 pz = 2 - kg 11,7/ m² 0,28
4 pz = 2 - kg 36,2/ m² 0,42

TECHNICAL SPECIFICATIONS

Art.3125

COL requirement m² 2,09
H 140 cm. COM Meterage ml 1,23
The cover stitching comes in the same color as the upholstery. Stitching on cover 1 and 3 comes in white or black, to customer's choice.

RESISTANCE TEST

FIRE RETARDANT TEST

BS5852 i.s. 5 Cava 3 Soft leather Elmosoft Hallingdal 65 Pro 3 Tonus 4 • Classe 1IM Cava 3 Divina MD Divina Melange 2 Divina 3 Hallingdal 65 Pro 3 Soft leather Tonus 4 Faux leather Valencia • California TB117-2013 Cava 3 Clara Canvas Divina MD Divina Melange 2 Divina 3 Soft leather Elmosoft Field Hallingdal 65 Jet Jumper 3 Pro 3 Soft leather Pause 4 Remix 2 Savanna Steelcut 2 Scuba Steelcut Trio 2 Steelcut Trio 3 Sunniva Sunniva 2 Tonus 4 Tempo Faux leather Valencia • BS5852 Sch. 4 Part 1 Cava 3 Divina MD Divina Melange 2 Divina 3 Soft leather Elmosoft Hallingdal 65 Pro 3 Tonus 4 Faux leather Valencia • BS5852 Sch. 5 Part 1 Cava 3 Clara Canvas Divina MD Divina Melange 2 Divina 3 Soft leather Elmosoft Hallingdal 65 Soft leather Remix 2 Savanna Steelcut 2 Steelcut Trio 2 Steelcut Trio 3 Tonus 4 Faux leather Valencia • EN 1021 - 1 Divina MD Divina Melange 2 Divina 3 Soft leather Elmosoft Field Hallingdal 65 Pro 3 Soft leather • EN 1021 - 2 Divina MD Divina Melange 2 Divina 3 Soft leather Elmosoft Field Hallingdal 65 Pro 3 Soft leather

ENVIRONMENTAL CERTIFICATIONS



arper

F +39 0422 791800

T +39 0422 7918

www.arper.com